



MASTER SEAL PRODUCT RANGE

ISSUE 3



INTRODUCTION

FPE Seals Ltd (Main Office)
Barrington Way, Darlington,
Co Durham, DL1 4WF

Tel: +44 (0)1325 282732
Fax: +44 (0)1325 381815
Accounts Fax: +44 (0)1325 289314
Email: sales@fpeseals.co.uk
Website: www.fpe-ltd.co.uk

FPE Seals Ltd (Doncaster Office)
Unit 18 & 19, Hutton Business Park,
Adwick-le-Street, Doncaster,
South Yorkshire, DN6 7BD

Tel: +44 (0)1302 727252
Fax: +44 (0)1302 330794
Email: doncaster@fpeseals.co.uk

FPE Seals Ltd (Kent Office)
Unit 26, Riverside Phase 1, Sir Thomas Longley Road,
The Medway City Estate, Chatham, Kent, ME2 4DP

Tel: +44 (0) 1634 724394
Fax: +44 (0) 1634 715821
Email: kent@fpeseals.co.uk

Issue 3

Copyright© 2009 FPE Seals Ltd

This catalogue may not be altered in any way, copied or reproduced in any form without written permission.

WARRANTY

Fluid Power guarantees its products to be free from defects in workmanship and raw materials. Our liability for breach of any and all warranties is limited to refunding our invoice price of the product, or at our option, replacement of the material free of charge, including transportation charges but not the cost of installation. The sale of our products under any other warranty or guarantee, expressed or implied is not authorised by the company. All technical advice, recommendations and services are rendered by the Seller gratis. They are based on technical data which the seller believes to be reliable and are intended for use by persons having skill and know-how, at their own discretion and risk. Seller assumes no responsibility for results obtained or damages occurred from their use by the Buyer in whole or in part.

Fluid Power

The Hydraulic Seal Specialists

Information

ORDERING INFORMATION

You can order by phone, fax or e-mail on;

Darlington Branch

Tel: +44 (0)1325 282732

Fax: +44 (0)1325 381815

Email: sales@fpe-ltd.co.uk

Doncaster Branch

Tel: +44 (0)1302 727252

Fax: +44 (0)1302 330794

Email: plant@fpe-ltd.co.uk

SATISFACTION

Customer satisfaction is our goal. Please call with any questions or problems. Your input helps us to improve our service.

HOW TO OPEN AN ACCOUNT WITH US

1. You can phone or fax for a credit application or download from our website.
2. Complete and return the application form.
3. We will notify you when your account has been opened.

NON-CATALOGUE ITEMS

Fluid Power is constantly adding parts to stock. If you need an item that is not listed in our catalogue please call, fax, or send us a sample of the item you require, and the quantity required, and we will source, quote and order the parts for you.

RETURNS POLICY

Parts must be returned within 30 days of receipt of goods. Returned items which are no longer required or ordered in error are subject to a 20% restocking charge. All returns are subject to inspection by our Quality Control Department and may be rejected if not in resalable condition. All returned kits must be complete or you will be charged for the entire kit. Any modification of hardware components voids the warranty from the manufacturer and from Fluid Power. Non stock items that are specially ordered in and manufactured parts are non-returnable.

QUALITY POLICY

It is the objective of Fluid Power to:

1. Provide customers with goods and service which meet the high standards of Quality and Reliability essential to the safety and application needs of customer requirements.
2. Provide a safe and healthy working environment for it's employees.
3. To endeavour to ensure the continuing success and recognition of Fluid Power in the U.K. and Overseas market place.

To achieve these objectives, it is the intention of Fluid Power to establish and maintain an effective and efficient Quality Assurance System based on the requirements of BS EN ISO9002: 1994.

The designated Quality Manager has the responsibility and authority to establish and maintain the Quality Assurance Programme and the organisational freedom to recognise Quality problems and to initiate, recommend or provide solutions to these problems.

Fluid Power

The Hydraulic Seal Specialists

Introduction

With over 75,000 line items consisting of Hydraulic and Pneumatic Seals, Seal Kits, Cylinder Components and associated products. Additionally we manufacture bespoke seals up to 600mm from both our Darlington and Doncaster sites. Fluid Power is one of the UK's leading forces in the Hydraulic Seal Industry.

Established in 1984, Fluid Power has grown dramatically from its small beginnings into a global company with customers in Europe, North and South America, Asia, Africa and the Caribbean. Built on the philosophy that we want to supply all of your demands, all of the time. Our staff will go out of their way to get the elusive items that you require.

By investing time and money on staff training, technology and stock, Fluid Power are able to offer a quality service to their customers that is unrivalled by its competitors. With the aim of shipping all stock items on orders received before 5.45pm (11.30am on Saturday) on that same day.

Other Fluid Power catalogues cover our range of Cylinder Components, PTFE parts, Industrial & Mobile Kit ranges.

Fluid Power aims to provide our customers with the best possible service backed up with free technical support from a dedicated team.

Table of Contents

Section	Pages
Information	I
Introduction	III
Fluid Compatibility Tables	IV
Seal Index	VII
Single Acting Seals	1
Vee Packs	342
Double Acting Seals	398
Piston Cup Seals	452
Bearing Rings	479
Retaining Rings	513
Wipers	520
OP Seals	605
Flange Seals	608
Terms of Business	610

Fluid Power

The Hydraulic Seal Specialists

Fluid Compatibility Tables

These are general guidelines only and users must conduct their own functional tests to determine the suitability of any compound for their particular application.

R = Recommended
M = Marginal
U = Unsatisfactory
X = Insufficient Data

Fluid	Nitrile	SBR	EPDM	Neoprene	Polyacrylate	Polyurethane	Silicone	Fluorocarbon
Acetaldehyde	M	M	M	M	U	U	M	U
Acetamide	R	U	R	R	U	U	M	M
Acetic Acid (Glacial)	M	M	M	U	U	U	M	U
Acetone	U	U	R	U	U	U	U	U
Acetophenone	U	U	R	U	U	X	U	U
Acetylene	R	M	R	M	X	X	M	R
Ammonia, Gas, Cold	R	R	R	R	U	X	R	U
Ammonium Hydroxide	R	R	R	R	U	U	R	R
Amyl Acetate	U	U	R	U	U	U	U	U
Anderol L-774	M	U	U	U	M	U	U	R
Antifreeze	R	R	R	R	U	U	R	U
Aniline	U	U	M	U	U	U	U	M
Ansul Ether 161 or 181	M	U	M	U	U	M	U	U
Aroclors 1260	R	R	X	R	U	X	R	R
Askarel	M	U	U	U	U	U	U	R
ASTM Oil #1	R	U	U	R	R	R	R	R
ASTM Oil #3	R	U	U	R	R	R	U	R
ASTM Fuel A	R	U	U	M	M	R	U	R
ASTM Fuel B	R	U	U	U	U	M	U	R
ASTM Fuel C	M	U	U	U	U	U	U	R
ASTM Fuel D	R	U	U	U	M	M	U	R
Auto. Trans. Fluid	R	U	U	M	R	M	U	R
Beer	R	R	R	R	U	U	R	R
Benzaldehyde	U	U	R	U	U	U	U	U
Benzene	U	U	U	U	U	U	U	R
Benzine	R	U	U	M	R	M	U	R
Benzoic Acid	U	U	U	U	U	U	U	R
Benzophenone	X	U	M	X	U	U	X	R
Benzl Alcohol	U	U	M	M	U	U	X	R
Bleach	R	R	R	R	U	U	U	R
Borax	M	M	R	U	M	R	M	R
Boric Acid	R	R	R	R	U	R	R	R
Brake Fluid (Non Petroleum)	M	R	R	M	X	X	M	U
Bromine	U	U	U	U	U	U	U	R
Bromobenzene	U	U	U	U	U	U	U	R
Bunker Oil	R	U	U	U	R	M	M	R
Butane	R	M	U	R	R	U	U	R
Butter - Animal Fat	R	U	R	M	R	R	M	R
Butyl Acetate	U	U	M	U	U	U	U	U
Butyl Alcohol	R	R	M	R	U	U	M	R

Fluid	Nitrile	SBR	EPDM	Neoprene	Polyacrylate	Polyurethane	Silicone	Fluorocarbon
Butyl Amine	M	U	U	U	U	U	M	U
Butyl Carbitol	U	U	R	M	U	X	U	M
Butyl Cellosolve	M	U	M	M	U	U	X	U
Butyraldehyde	U	U	M	U	U	U	U	U
Carbitol	M	M	M	M	U	U	M	M
Carbon Disulfide	U	U	U	U	M	X	X	R
Carbon Tetrachloride	M	U	U	U	U	U	U	R
Carbonic Acid	M	M	R	R	R	R	R	R
Castor Oil	R	R	M	R	R	R	R	R
Cellosolve	U	U	M	U	U	U	U	U
Chassis Grease	R	U	U	M	R	X	U	R
Chloracetic Acid	U	U	M	U	U	U	X	U
Chloracetone	U	U	R	U	U	U	U	U
Chlordane	M	U	U	M	X	X	U	U
Chlorine (Dry)	U	U	U	U	U	U	U	R
Chloroform	U	U	U	U	U	U	U	R
Chlorsulfonic Acid	U	U	U	U	U	U	U	R
Chrome Plating Solu.	U	U	M	U	U	U	M	R
Chromic Acid 50%	U	U	M	U	U	U	M	R
Citric Acid	R	R	R	R	X	X	R	R
Cod Liver Oil	R	U	R	M	R	R	M	R
Coffee	R	R	R	R	U	U	R	R
Corn Oil	R	U	M	M	R	X	R	R
Creosote (Coal, Tar)	R	U	U	M	R	U	U	R
Creosylic Acid	U	U	U	U	U	U	U	R
Crude Oil	M	U	U	U	R	X	U	R
Cyclohexane	R	U	U	M	M	R	U	R
Cyclohexanol	R	U	U	M	X	X	U	R
Decalin	U	U	U	U	X	X	U	R
Denatured Alcohol	R	R	R	R	U	U	R	R
Diacetone	U	U	R	U	U	U	U	U
Dibutyl Amine	U	U	U	M	U	U	M	U
Dibutyl Phthalate	U	U	M	U	U	X	X	M
Dichloro Butane	M	U	U	U	U	U	U	R
Diesel Oil	R	U	U	M	R	M	U	R
Diethylamine	M	M	M	M	U	M	M	U
Diethylene Glycol	R	R	R	R	U	U	M	R
Dimethyl Ether	M	U	M	M	U	U	R	M
Dimethyl Formamide	M	U	M	M	U	U	M	U
Dimethyl Phthalate	U	U	M	U	U	X	X	M

Fluid Power

The Hydraulic Seal Specialists

Fluid Compatibility Tables

These are general guidelines only and users must conduct their own functional tests to determine the suitability of any compound for their particular application.

R = Recommended
M = Marginal
U = Unsatisfactory
X = Insufficient Data

Fluid	Nitrile	SBR	EPDM	Neoprene	Polyacrylate	Polyurethane	Silicone	Fluorocarbon
Dioctyl Phthalate	U	U	M	U	U	U	M	M
Dioxane	U	U	M	U	U	U	U	U
Diphenyl	U	U	U	U	U	U	U	R
Dow Corning 550	R	R	R	R	R	R	M	R
Dow Gard	R	R	R	R	M	M	R	R
Dowtherm A & E	U	U	U	U	U	U	U	R
Elco 28	R	U	U	M	R	R	M	R
Epoxy Resins	X	X	R	R	X	X	X	U
Ethane	R	U	U	M	R	M	U	R
Ethanol	R	R	R	R	U	U	R	M
Ethanol Amine	M	M	M	M	U	M	M	M
Ethyl Acetate	U	U	M	U	U	U	M	U
Ethyl Benzene	U	U	R	U	U	U	U	R
Ethyl Cellulose	M	M	M	M	U	M	M	U
Ethyl Chloride	R	M	R	R	M	M	U	R
Ethyl Ether	M	U	M	U	U	M	U	U
Ethyl Formate	U	U	M	M	X	X	X	R
Ethyl Hexanol	R	R	R	R	U	U	M	R
Ethylene Chloride	U	U	U	U	U	U	U	M
Ethylene Oxide	U	U	M	U	U	U	U	U
Formaldehyde	M	M	M	M	U	U	M	U
Formic Acid	M	M	M	M	U	U	U	M
Freon 12	R	R	M	R	X	R	U	R
Fuel Oil	R	U	U	M	R	U	U	R
Furan	U	U	X	U	U	X	X	X
Furfural	U	U	M	U	U	X	U	U
Furfuryl Alcohol	U	U	R	U	U	U	U	X
Fyrquel 90, 100	U	U	R	U	U	U	R	R
Gallic Acid	M	M	M	M	U	U	X	R
Gasoline	R	U	U	U	U	M	U	R
Gelatin	R	R	R	R	U	U	R	R
Glucose	R	R	R	R	X	U	R	R
Glycerine	R	R	R	R	U	U	R	R
Heptane	R	U	U	M	R	M	U	R
Hexaldehyde	U	U	R	R	X	X	M	U
Hexane	R	U	U	M	R	M	U	R
Hexanol	U	M	R	R	U	M	X	R
Hydrazine	M	M	R	M	X	X	M	X
Hydrocyanic Acid	M	M	R	M	U	X	M	R
Hydrogen Peroxide	M	M	R	R	U	X	R	R

Fluid	Nitrile	SBR	EPDM	Neoprene	Polyacrylate	Polyurethane	Silicone	Fluorocarbon
Hydrogen Sulfide (Dry, Cold)	R	R	R	R	U	X	M	U
Hydrogen Sulfide (Dry, Hot)	U	U	R	M	U	X	M	U
Hydrogen Sulfide (Wet, Cold)	U	U	R	R	U	X	M	U
Hydrogen Sulfide (Wet, Hot)	U	U	R	M	U	X	M	U
Hydroquinone	M	U	U	U	U	X	X	R
Iodine	M	M	M	U	X	X	X	R
Iso Octane	R	U	U	M	R	M	U	R
Isophorone	U	U	R	U	U	U	U	U
Isopropanol	M	M	R	M	U	U	R	R
Isopropyl Acetate	U	U	M	U	U	U	U	U
JP-4(MIL-J-5624)	R	U	U	U	R	R	U	R
Kerosene	R	U	U	U	R	U	U	R
Lacquers	U	U	U	U	U	U	U	U
Lactic Acid (Cold)	R	R	R	R	U	X	X	R
Lard	R	U	M	M	R	R	M	R
Linoleic Acid	M	U	U	M	X	X	M	R
Linseed Oil	R	U	M	M	R	X	M	R
Lye Solutions	M	M	R	M	U	U	M	M
Malathion	M	U	U	X	X	X	U	R
Maleic Acid	U	U	U	U	U	X	X	R
Mercury	R	R	R	R	X	X	X	R
Methacrylic Acid	U	X	M	M	X	X	U	M
Methane	R	U	U	M	R	M	U	R
Methanol	R	R	R	R	U	U	R	U
Methyl Acetate	U	U	M	M	U	U	U	U
Methyl Cellosolve	M	U	M	M	U	U	U	U
Methyl Ether Ketone	U	U	R	U	U	U	U	U
Methyl Mercaptan	X	X	R	R	X	X	X	X
Methylene Chloride	U	U	U	U	U	U	U	M
Milk	R	R	R	R	U	U	R	R
Mineral Oil	R	U	M	M	R	R	M	R
Monovinyl Acetylene	R	M	R	M	X	X	M	R
Naphtha	M	U	U	U	M	M	U	R
Naphthalene	U	U	U	U	X	X	U	R
Naphthenic Acid	M	U	U	U	X	X	U	R
Natural Gas	R	M	U	R	M	M	R	R
Neatsfoot Oil	R	U	M	U	R	U	M	R
Nitric Acid 3 Molar	U	U	M	U	U	U	U	R
Nitric Acid Concentrated	U	U	U	U	U	U	U	R

Fluid Power

The Hydraulic Seal Specialists

Fluid Compatibility Tables

These are general guidelines only and users must conduct their own functional tests to determine the suitability of any compound for their particular application.

R = Recommended
M = Marginal
U = Unsatisfactory
X = Insufficient Data














Fluid	Nitrile	SBR	EPDM	Neoprene	Polyacrylate	Polyurethane	Silicone	Fluorocarbon
Nitrobenzene	U	U	U	U	U	U	U	M
Nitropropane	U	U	M	U	U	U	U	U
Octane	M	U	U	U	U	U	U	R
Oleic Acid	M	U	U	U	U	X	U	M
Oleum	U	U	U	U	U	U	U	R
Oleum Spirits	M	U	U	M	X	X	U	R
Oronite 8200	M	U	U	R	X	R	U	R
Oronite 8515	M	U	U	R	X	R	U	R
Oxalic Acid	M	M	M	R	X	X	M	R
Peanut Oil	R	U	M	M	R	X	R	R
Pentane	R	U	U	M	R	U	U	R
Perchlorethylene	M	U	U	U	U	U	U	R
Petroleum Oil (Crude, below 250°F)	R	U	U	M	M	M	M	R
(Crude, above 250°F)	U	U	U	U	U	U	U	M
Phenol	U	U	U	U	U	U	U	R
Phenylhydrazine	U	M	U	U	U	X	X	R
Phosphoric Acid	U	M	R	M	X	X	M	R
Pine Oil	R	U	U	U	X	X	U	R
Potassium Hydroxide	M	M	R	M	U	U	M	U
Propane	R	U	U	M	R	M	U	R
Propanol	R	R	R	R	U	U	M	R
Propyl Acetate	U	U	M	U	U	U	U	U
Pydraul	U	U	R	U	U	U	U	R
Pyranol	R	U	U	M	R	M	U	R
Pyridine	U	U	M	U	U	X	U	U
Rapeseed Oil	M	U	R	M	M	M	U	R
Seawater	R	R	R	M	U	U	R	X
Sewage	R	R	R	M	U	U	R	R
Silicone Grease	R	R	R	R	R	R	M	R
Silver Nitrate	M	R	R	R	R	R	R	R
Skelly Solvent	R	U	U	U	X	X	X	R
Skydrol	U	U	R	U	U	U	U	U
Skydrol 500	U	U	R	U	U	U	U	U
Sodium Hydroxide	M	M	R	M	U	M	R	M
Sovasol	R	U	U	M	M	M	U	R
Soy Bean Oil	R	U	M	M	R	X	R	R
Stearic Acid	M	M	M	M	X	X	M	X
Stoddard Solvent	R	U	U	M	R	R	U	R
Sucrose	R	R	R	M	U	U	R	R

Fluid	Nitrile	SBR	EPDM	Neoprene	Polyacrylate	Polyurethane	Silicone	Fluorocarbon
Sulphuric Acid (3 Molar)	U	M	M	M	M	M	U	R
Tannic Acid	R	M	R	M	U	X	M	R
Tannic Acid (10%)	R	M	R	R	U	X	M	R
Tar	M	U	U	M	U	X	M	R
Tartaric Acid	R	M	M	M	X	X	R	R
Tetrachloroethane	U	U	U	U	U	U	U	R
Tetralin	U	U	U	U	U	U	U	R
Tidewater	R	U	U	M	R	R	M	R
Toluene	U	U	U	U	U	U	U	R
Trichloroethylene	M	U	U	U	U	U	U	R
Triethanol Amine	M	M	M	M	U	U	X	U
Turbine Oil	R	U	U	U	R	R	U	R
Turpentine	R	U	U	U	M	R	U	R
Univis J-43	R	U	U	M	R	R	U	R
Varnish	M	U	U	U	U	M	U	R
Vinegar	M	M	R	M	U	U	R	R
Water	R	R	R	R	U	U	R	R
Whiskey & Wine	R	R	R	M	U	U	U	R
Wood Oil	R	U	U	M	X	M	U	R

Fluid Power

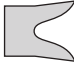


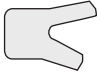

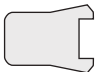
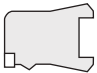




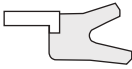
The Hydraulic Seal Specialists

SEAL PROFILE INDEX

Prefix / Suffix	Profile	Description	Material	Temp °c	Max Pressure (Bar)	Metric Imperial	Page No.
SA-P		Single Acting Seal.	Fabric Reinforced Nitrile Rubber.	+100° -30°	200	Metric & Imperial	1
SA-EI		Single Acting Rod Seal with Anti-extrusion Ring.	Fabric Reinforced Nitrile Rubber & Polyacetal.	+100° -30°	400	Metric & Imperial	46
SA-EO		Single Acting Piston Seal with Anti-extrusion Ring.	Fabric Reinforced Nitrile Rubber & Polyacetal.	+100° -30°	400	Metric & Imperial	63
SA-WO		Single Acting Piston Seal with Clip on Wear Ring.	Fabric Reinforced Nitrile Rubber & Polyacetal.	+100° -30°	400	Metric & Imperial	68
SA-WI		Single Acting Rod Seal with Clip on Wear Ring.	Fabric Reinforced Nitrile Rubber & Polyacetal.	+100° -30°	400	Imperial	73
SA-EI-SAG		Single Acting Rod Seal with Anti-extrusion Ring for Telescopic Cylinders.	Fabric Reinforced Nitrile Rubber & Polyacetal.	+100° -30°	400	Imperial	75
SA-P-GR		Single Acting Seal with Groove.	Fabric Reinforced Nitrile Rubber.	+100° -30°	200	Metric & Imperial	77
SA-EO-GR		Single Acting Piston Seal, Grooved with Anti-extrusion Ring.	Fabric Reinforced Nitrile Rubber & Polyacetal.	+100° -30°	400	Metric & Imperial	81
SA-EI-GR		Single Acting Rod Seal, Grooved with Anti-extrusion Ring.	Fabric Reinforced Nitrile Rubber & Polyacetal.	+100° -30°	400	Metric	85
SA-WO-GR		Single Acting Piston Seal, Grooved with Clip-on Wear Ring.	Fabric Reinforced Nitrile Rubber & Polyacetal.	+100° -30°	400	Metric & Imperial	87
SA-BR-L		Single Acting Seal with Polyester Header for Telescopic Cylinders.	Fabric Reinforced Nitrile Rubber & Polyester.	+100° -30°	400	Imperial	91
SA-BR-M		Single Acting Seal with Polyester Header for Telescopic Cylinders.	Fabric Reinforced Nitrile Rubber & Polyester.	+100° -30°	400	Metric	93
SU-SFD		Single Acting Piston Seal.	Fabric Reinforced Nitrile Rubber & Polyacetal.	+100° -30°	600	Metric	95

Please note that as every manufacturer has different limits for their seals, the information given in this catalogue is a guide only. For information relating to a particular seal please contact the FPE sales team.














SEAL PROFILE INDEX

Prefix / Suffix	Profile	Description	Material	Temp °c	Max Pressure (Bar)	Metric Imperial	Page No.
SU-F		Single Acting Fabric U-ring.	Fabric Reinforced Nitrile Rubber.	+100° -30°	250	Metric & Imperial	97
TS		Twinset.	Fabric Reinforced Nitrile Rubber & Polyacetal.	+100° -30°	340	Metric & Imperial	101
SU-P		Single Acting Polyurethane U-ring.	Polyurethane.	+100° -30°	400	Metric & Imperial	105
SU-DI-P		Single Acting Rod Working Polyurethane U-ring.	Polyurethane.	+100° -30°	400	Metric & Imperial	141
SU-DI-L-P		Single Acting Rod Working Polyurethane U-ring.	Polyurethane.	+100° -30°	400	Metric & Imperial	168
SU-TS-P		Single Acting Rod Working Polyurethane U-ring.	Polyurethane.	+100° -30°	400	Metric & Imperial	192
SU-TS-EI-L-P		Single Acting Rod Working Polyurethane U-ring with Anti-extrusion Ring.	Polyurethane & Polyacetal.	+100° -30°	400	Metric	206
SU-EI-L-P		Single Acting Rod Working Polyurethane U-ring with Anti-extrusion Ring.	Polyurethane & Polyacetal.	+100° -30°	400	Metric	210
SU-EU-P		Energised Single Acting Polyurethane U-ring.	Polyurethane & Nitrile.	+100° -30°	400	Metric & Imperial	212
SU-EU-EI-P		Energised Single Acting Rod Working Polyurethane U-ring with Anti-extrusion Ring.	Polyurethane, Nitrile & Polyacetal.	+100° -30°	500	Metric & Imperial	246
SU-EI-P (Buffer)		Single Acting Rod Working Polyurethane U-ring with Anti-extrusion Ring.	Polyurethane & Polyacetal.	+100° -30°	400	Metric	251
SU-DE-P		Single Acting Piston Working Polyurethane U-ring.	Polyurethane.	+100° -30°	400	Metric & Imperial	253
SU-WO-P		Single Acting Piston Working Polyurethane U-ring with Wear Ring.	Polyurethane & Polyacetal.	+100° -30°	400	Metric	270

Fluid Power

The Hydraulic Seal Specialists

SEAL PROFILE INDEX

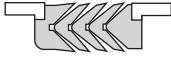

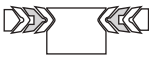
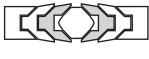








Prefix / Suffix	Profile	Description	Material	Temp °c	Max Pressure (Bar)	Metric Imperial	Page No.
SU-EO-P		Single Acting Piston Working Polyurethane U-ring with Anti-extrusion Ring.	Polyurethane & Polyacetal.	+100° -30°	400	Metric	272
SU-WO-R		Single Acting Piston Working Rubber U-ring with Wear Ring.	Nitrile Rubber & Polyester.	+100° -30°	200	Metric	275
SU-DE-R		Single Acting Piston Working Rubber U-ring.	Nitrile Rubber.	+100° -30°	100	Metric & Imperial	277
SU-R		Single Acting Rubber U-ring.	Nitrile Rubber.	+100° -30°	100	Metric & Imperial	290
SU-DI-R		Single Acting Rod Working Rubber U-ring.	Nitrile Rubber.	+100° -30°	100	Metric & Imperial	329
VP		Standard Single Acting Vee Pack.	Fabric Reinforced Nitrile Rubber, Polyacetal & Nitrile Rubber.	+100° -30°	400	Metric & Imperial	342
VP		Vee Pack for Piston Applications.	Fabric Reinforced Nitrile Rubber & Polyacetal.	+100° -30°	400	Metric & Imperial	342
VP-DR		Dri Rod Style Vee Pack.	Fabric Reinforced Nitrile Rubber, Polyacetal & Nitrile Rubber.	+100° -30°	400	Metric & Imperial	342
VP-DR		Dri Rod Style Vee Pack.	Fabric Reinforced Nitrile Rubber, Polyacetal & Nitrile Rubber.	+100° -30°	400	Metric & Imperial	342
VP-EO		Piston Working Vee Pack with an External Anti-extrusion Ring.	Fabric Reinforced Nitrile Rubber, Polyacetal & Nitrile Rubber.	+100° -30°	400	Metric & Imperial	342
VP-EO		Piston Working Vee Pack with an External Anti-extrusion Ring.	Fabric Reinforced Nitrile Rubber & Polyacetal.	+100° -30°	400	Metric & Imperial	342
VP-EI		Rod Working Vee Pack with an Internal Anti-extrusion Ring.	Fabric Reinforced Nitrile Rubber, Polyacetal & Nitrile Rubber.	+100° -30°	400	Metric & Imperial	342
VP-EI		Rod Working Vee Pack with an Internal Anti-extrusion Ring.	Fabric Reinforced Nitrile Rubber & Polyacetal.	+100° -30°	400	Metric & Imperial	342

Please note that as every manufacturer has different limits for their seals, the information given in this catalogue is a guide only. For information relating to a particular seal please contact the FPE sales team.

Fluid Power

The Hydraulic Seal Specialists

SEAL PROFILE INDEX

Prefix / Suffix	Profile	Description	Material	Temp °c	Max Pressure (Bar)	Metric Imperial	Page No.
VP-WO		Vee Pack with Clip on Wear Rings.	Fabric Reinforced Nitrile Rubber & Polyacetal.	+100° -30°	400	Metric & Imperial	Call
VP-P		Hydrolocking Vee Pack.	Polyacetal & Polyester.	+100° -30°	400	Imperial	Call
VP-DA		Double Acting Vee Pack.	Polyacetal & Polyester.	+100° -30°	-	Imperial	Call
VP-DA		Double Acting Vee Pack.	Polyacetal & Polyester.	+100° -30°	-	Imperial	Call
GM-EI		Three Part Single Acting Rod Seal with Internal Anti-extrusion Ring.	Fabric Reinforced Nitrile Rubber, Polyacetal & Nitrile Rubber.	+100° -30°	700	Metric & Imperial	386
GM-EO		Three Part Single Acting Piston Seal with External Anti-extrusion Ring.	Fabric Reinforced Nitrile Rubber, Polyacetal & Nitrile Rubber.	+100° -30°	700	Metric & Imperial	386
GM-WO		Three Part Single Acting Piston Seal with External Wear Ring.	Fabric Reinforced Nitrile Rubber, Polyacetal & Nitrile Rubber.	+100° -30°	700	Metric & Imperial	386
GM-WI		Three Part Single Acting Rod Seal with Internal Wear Ring.	Fabric Reinforced Nitrile Rubber, Polyacetal & Nitrile Rubber.	+100° -30°	700	Metric	386
DM-WO		Five Part Double Acting Monobloc Piston Seal with Wear Rings.	Polyester, Polyacetal & Nitrile Rubber.	+100° -30°	400	Metric & Imperial	398
DM-EO		Five Part Double Acting Monobloc Piston Seal with Anti-extrusion Rings.	Polyester, Polyacetal & Nitrile Rubber.	+100° -30°	400	Metric & Imperial	398
DM-WO		Five Part Double Acting Monobloc Piston Seal with Wear Rings.	Polyester, Polyacetal & Nitrile Rubber.	+100° -30°	400	Metric & Imperial	398
DM-EO		Five Part Double Acting Monobloc Piston Seal with Anti-extrusion Rings.	Polyester, Polyacetal & Nitrile Rubber.	+100° -30°	400	Metric & Imperial	398
DM-LO		Four Part Double Acting Monobloc Piston Seal with Wear Rings.	Fabric Reinforced Nitrile Rubber, Polyacetal & Nitrile Rubber.	+100° -30°	400	Metric	398











X

Please note that as every manufacturer has different limits for their seals, the information given in this catalogue is a guide only. For information relating to a particular seal please contact the FPE sales team.

Fluid Power

The Hydraulic Seal Specialists

SEAL PROFILE INDEX




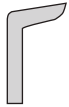
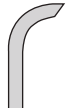


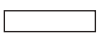





Prefix / Suffix	Profile	Description	Material	Temp °c	Max Pressure (Bar)	Metric Imperial	Page No.
DM-LO		Four Part Double Acting Monobloc Piston Seal with Wear Rings.	Polyurethane, Polyacetal & Nitrile Rubber.	+100° -30°	400	Metric	398
DM-LO		Five Part Double Acting Monobloc Piston Seal with Wear Rings.	PTFE, Polyacetal & Nitrile Rubber.	+100° -30°	400	Metric & Imperial	398
DM-LO		Five Part Double Acting Monobloc Piston Seal with Wear Rings.	Polyester, Polyacetal & Nitrile Rubber.	+100° -30°	400	Metric & Imperial	398
DM-WO		Three Part Double Acting Monobloc Piston Seal with Wear Rings.	Polyacetal & Nitrile Rubber.	+100° -30°	400	Metric & Imperial	398
DM-WO		Three Part Double Acting Monobloc Piston Seal with Wear Rings.	Polyacetal & Nitrile Rubber.	+100° -30°	400	Metric & Imperial	398
DM-EO		Three Part Double Acting Monobloc Piston Seal with Anti-extrusion Rings.	Fabric Reinforced Nitrile Rubber & Polyacetal.	+100° -30°	400	Metric	398
DA-P		Plain Double Acting Piston Seal.	Fabric Reinforced Nitrile Rubber.	+100° -30°	400	Metric & Imperial	417
DA-EO		Three Part Double Acting Piston Seal with Anti-extrusion Rings.	Fabric Reinforced Nitrile Rubber & Polyacetal.	+100° -30°	400	Metric & Imperial	417
DA-WO		Three Part Double Acting Piston Seal with Wear Rings.	Fabric Reinforced Nitrile Rubber & Polyacetal.	+100° -30°	400	Metric & Imperial	417
DA-LO		Three Part Double Acting Piston Seal with Wear Rings.	Fabric Reinforced Nitrile Rubber & Polyacetal.	+100° -30°	400	Metric & Imperial	417
DA-WO		Five Part Double Acting Piston Seal with Wear Rings.	Nitrile Rubber, Polyacetal & Fabric Reinforced Nitrile Rubber or Polyester.	+100° -30°	400	Metric & Imperial	417
DA-EO		Five Part Double Acting Piston Seal with Anti-extrusion Rings.	Nitrile Rubber, Polyacetal & Fabric Reinforced Nitrile Rubber or Polyester.	+100° -30°	400	Metric & Imperial	417
CP-T		Double Acting Three Part Piston Seal.	Polyacetal & Nitrile Rubber.	+100° -30°	350	Imperial	439

Please note that as every manufacturer has different limits for their seals, the information given in this catalogue is a guide only. For information relating to a particular seal please contact the FPE sales team.

Fluid Power

The Hydraulic Seal Specialists














SEAL PROFILE INDEX

Prefix / Suffix	Profile	Description	Material	Temp °c	Max Pressure (Bar)	Metric Imperial	Page No.
CP-P		Double Acting Two Part Piston Seal.	Polyurethane & Nitrile Rubber.	+100° -30°	350	Imperial	443
CR-T		Double Acting Three Part Rod Seal.	Polyacetal & Nitrile Rubber.	+100° -30°	350	Imperial	447
CR-P		Double Acting Two Part Rod Seal.	Polyurethane & Nitrile Rubber.	+100° -40°	350	Imperial	450
SC-FB-F		Fabric Flat Based Piston Working Cup Seal.	Fabric Reinforced Nitrile Rubber.	+100° -30°	170	Metric & Imperial	452
SC-RB-F		Fabric Round Based Piston Working Cup Seal.	Fabric Reinforced Nitrile Rubber.	+100° -30°	170	Metric & Imperial	452
SC-FB-R		Rubber Flat Based Piston Working Cup Seal.	Nitrile Rubber.	+100° -30°	35	Metric & Imperial	464
SC-RB-R		Rubber Round Based Piston Working Cup Seal.	Nitrile Rubber.	+100° -30°	35	Metric & Imperial	464
BR-D		Polyacetal Bearing Ring.	Polyacetal.	+110° -40°	-	Metric & Imperial	479
BR-GF		Glass Filled Polyacetal Bearing Ring.	Glass Filled Polyacetal.	+110° -40°	-	Metric & Imperial	479
BR-PH		Phenolic Bearing Ring.	Phenolic.	+130° -40°	-	Metric & Imperial	479
BR-LI		Rod Working L-shaped Bearing Rings.	Polyacetal.	+110° -40°	-	Metric	511
BR-T		Piston Working T-Shaped Bearing Ring.	Polyacetal.	+110° -40°	-	Metric & Imperial	Call
LW		Piston Working L-Shaped Bearing Ring.	Polyacetal.	+100° -30°	-	Metric & Imperial	Call

Fluid Power

The Hydraulic Seal Specialists

SEAL PROFILE INDEX


Prefix / Suffix	Profile	Description	Material	Temp °c	Max Pressure (Bar)	Metric Imperial	Page No.
RR		Polyacetal Piston Working Retaining Ring.	Polyacetal.	+110° -40°	-	Metric & Imperial	513
RR		Polyacetal Rod Working Retaining Ring.	Polyacetal.	+110° -40°	-	Metric	517
WR-M		Medium Duty Square Shouldered Wiper.	Nitrile Rubber.	+100° -30°	-	Metric & Imperial	520
WR-M		Medium Duty Square Shouldered Wiper.	Polyurethane.	+100° -30°	-	Metric & Imperial	520
WR-DK		Light Duty Wiper.	Nitrile Rubber or Polyurethane.	+100° -30°	-	Metric	537
WR-B		Light Duty Wiper.	Nitrile Rubber or Polyurethane.	+100° -30°	-	Imperial	540
WR-C		Light to Medium Duty Square Shouldered Wiper.	Nitrile Rubber or Polyurethane.	+100° -30°	-	Imperial	543
WR-S		Medium to Heavy Duty Wiper.	Nitrile Rubber or Polyurethane.	+100° -30°	-	Metric & Imperial	546
WR-SU		Double-Lipped Medium Duty Wiper.	Polyurethane or Nitrile Rubber.	+100° -30°	-	Imperial	551
WR-SL		Double-Lipped Medium Duty Wiper.	Nitrile Rubber.	+100° -30°	-	Imperial	554
WR-H		Double-Lipped Light Duty Wiper.	Nitrile Rubber.	+100° -30°	-	Imperial	556
WR-A1		Medium Duty Double Shouldered Wiper.	Polyurethane or Nitrile Rubber.	+100° -30°	-	Metric	558
WR-DA		Medium Duty Double Shouldered Double Lipped Wiper.	Nitrile Rubber.	+100° -30°	-	Metric	564

Please note that as every manufacturer has different limits for their seals, the information given in this catalogue is a guide only. For information relating to a particular seal please contact the FPE sales team.

Fluid Power

The Hydraulic Seal Specialists






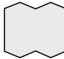







SEAL PROFILE INDEX

Prefix / Suffix	Profile	Description	Material	Temp °c	Max Pressure (Bar)	Metric Imperial	Page No.
WR-UL		Medium Duty Double Lipped Wiper.	Polyurethane or Nitrile Rubber.	+100° -30°	-	Metric & Imperial	567
WR-A6		Medium Duty Wiper with Protective Flap.	Polyurethane or Nitrile Rubber.	+100° -30°	-	Metric & Imperial	574
WR-DA-L-P		Medium Duty Double Lipped Wiper with Protective Flap.	Polyurethane.	+100° -30°	-	Metric	578
WR-Y		Nylon Medium to Heavy Duty Wiper.	Nylon.	+100° -40°	-	Metric & Imperial	580
WR-MC		Heavy Duty Metal Cased Wiper.	Nitrile Rubber or Polyurethane & Steel.	+100° -30°	-	Metric & Imperial	585
WR-MC-RC		Heavy Duty Rubber Covered Metal Cased Wiper.	Nitrile Rubber & Steel.	+100° -30°	-	Metric	585
WR-MC-U		Heavy Duty Metal Cased Wiper.	Polyurethane or Nitrile Rubber & Steel.	+100° -30°	-	Metric & Imperial	585
WR-MC-UL		Heavy Duty Double Lipped Metal Cased Wiper.	Polyurethane or Nitrile Rubber & Steel.	+100° -30°	-	Metric	585
WR-MC-UL		Heavy Duty Double Lipped Metal Cased Wiper.	Polyurethane or Nitrile Rubber & Steel.	+100° -30°	-	Imperial	596
WR-S34		Heavy Duty Brass and Nitrile Rubber Wiper / Scraper.	Nitrile Rubber & Brass.	+100° -30°	-	Metric & Imperial	Call
WR-OW		External Working Wiper.	Polyurethane.	+100° -35°	-	Metric	603
SS		Rotary Shaft Seal.	Nitrile Rubber & Steel.	+100° -30°	-	Metric & Imperial	Call
PR		Cast Iron Piston Ring.	Cast Iron.	-	-	Metric & Imperial	Call

Fluid Power

The Hydraulic Seal Specialists

SEAL PROFILE INDEX

Prefix / Suffix	Profile	Description	Material	Temp °c	Max Pressure (Bar)	Metric Imperial	Page No.
BW		Bonded Washer.	Nitrile Rubber, or Various & Steel.	+200° -30° *	-	Metric & Imperial	Call
RM BS		O-ring.	Nitrile Rubber, Various.	+200° -30° *	350	Metric & Imperial	Call
BS-CB		Contoured Back-up Ring.	Nitrile Rubber.	+100° -30°	-	Imperial	Call
RM-SS BS-SS		Anti-extrusion Ring for O-Rings.	PTFE, Hytrel or Polyurethane.	+260° -30° *	600	Metric & Imperial	Call
BS-Q		Quad Ring.	Nitrile Rubber or Viton.	+200° -40° *	-	Imperial	Call
OP		O-ring Replacement.	Polyurethane.	+80° -30°	500	Metric & Imperial	605
FLANGE SEAL		Flange Seal.	Polyurethane.	+100° -30°	500	Metric & Imperial	608
PC-200		Double Acting Piston Composite.	PTFE & Nitrile Rubber.	+200° -40° *	400	Metric & Imperial	See separate catalogue
PC-200-SQ		Double Acting Piston Composite with Square Energiser.	PTFE & Nitrile Rubber.	+200° -40° *	400	Metric & Imperial	See separate catalogue
PC-200-K		Double Acting Piston Composite Capped Piston T-Seal.	PTFE, Nitrile Rubber & Polyacetal.	+100° -30°	350	Metric & Imperial	See separate catalogue
PC-210		Double Acting Piston Composite.	PTFE & Nitrile Rubber.	+200° -40° *	400	Metric & Imperial	See separate catalogue
PC-210-P		Double Acting Polyurethane Piston Composite.	Polyurethane & Nitrile Rubber.	+100° -30°	400	Metric & Imperial	See separate catalogue
PC-210-SQ		Double Acting Polyurethane Piston Composite with Square Energiser.	Polyurethane & Nitrile Rubber.	+100° -30°	400	Metric & Imperial	See separate catalogue














* Temperature is dependant on material.

Please note that as every manufacturer has different limits for their seals, the information given in this catalogue is a guide only. For information relating to a particular seal please contact the FPE sales team.

Fluid Power

The Hydraulic Seal Specialists

SEAL PROFILE INDEX

Prefix / Suffix	Profile	Description	Material	Temp °c	Max Pressure (Bar)	Metric Imperial	Page No.
PC-250		Single Acting Stepped Piston Composite.	PTFE & Nitrile Rubber.	+200° -40° *	400	Metric & Imperial	See separate catalogue
PC-260		Rotary Piston Composite.	PTFE & Nitrile Rubber.	+200° -40° *	300	Metric & Imperial	See separate catalogue
PC-1810		Double Acting Piston Composite.	PTFE & Nitrile Rubber.	+200° -40° *	160	Metric & Imperial	See separate catalogue
PC-840		Caveseal Piston Composite.	PTFE & Nitrile Rubber.	+200° -40° *	350	Metric & Imperial	See separate catalogue
PC-280		Piston Composite.	PTFE & Nitrile Rubber.	+200° -40° *	400	Metric & Imperial	Call
RC-100		Double Acting Rod Composite.	PTFE & Nitrile Rubber.	+200° -40° *	400	Metric & Imperial	See separate catalogue
RC-110		Double Acting Rod Composite.	PTFE & Nitrile Rubber.	+200° -40° *	400	Metric & Imperial	See separate catalogue
RC-120		Double Acting Rod Composite.	PTFE & Nitrile Rubber.	+200° -40° *	100	Metric & Imperial	Call
RC-160		Rotary Rod Composite.	PTFE & Nitrile Rubber.	+200° -40° *	300	Metric & Imperial	See separate catalogue
RC-170		Single Acting Stepped Rod Composite.	PTFE & Nitrile Rubber.	+200° -40° *	400	Metric & Imperial	See separate catalogue
RC-1710		Double Acting Rod Composite.	PTFE & Nitrile Rubber.	+200° -40° *	160	Metric & Imperial	See separate catalogue
RC-740		Caveseal Rod Composite.	PTFE & Nitrile Rubber.	+200° -40° *	350	Metric & Imperial	See separate catalogue
RC-180		Rod Composite.	PTFE & Nitrile Rubber.	+200° -40° *	400	Metric & Imperial	Call













* Temperature is dependant on material.

Please note that as every manufacturer has different limits for their seals, the information given in this catalogue is a guide only. For information relating to a particular seal please contact the FPE sales team.

Fluid Power

The Hydraulic Seal Specialists

SEAL PROFILE INDEX

Prefix / Suffix	Profile	Description	Material	Temp °c	Max Pressure (Bar)	Metric Imperial	Page No.
AIRZET		Double Acting Pneumatic Piston or Rod Seal.	Nitrile Rubber.	+100° -30°	12	Metric	Call
SU-Z5		Double Acting Pneumatic Piston Seal.	Nitrile Rubber.	+100° -30°	16	Metric	Call
SU-Z7		Single Acting Pneumatic Piston Seal.	Nitrile Rubber.	+100° -30°	16	Metric	Call
WR-EU		Rod Working Wiper/Pressure Seal.	Polyurethane.	+100° -30°	10	Metric	Call
WR-E8		Rod Working Wiper/Pressure Seal.	Polyester & Nitrile Rubber.	+80° -20°	16	Metric	Call
WR-NIPSL		Rod Working Wiper/Pressure Seal.	Nitrile Rubber & Steel.	+80° -20°	16	Metric	Call
PP		Cushion Seal	Nitrile Rubber or Polyurethane.	+100° -40°	16	Metric	Call
TDUOP		Double Acting Pneumatic Piston Seal.	Nitrile Rubber & Steel.	+100° -30°	16	Metric	Call
TDUOP-DP		Double Acting Pneumatic Piston Seal.	Nitrile Rubber & Steel.	+100° -30°	16	Metric	Call
TDUOP-EK		Single Acting Pneumatic Piston Seal.	Nitrile Rubber & Steel.	+100° -30°	16	Metric	Call
TDUOP-DE		Single Acting Pneumatic Piston Seal.	Nitrile Rubber & Steel.	+100° -30°	12	Metric	Call
TDUOH		Double Acting Hydraulic Piston Seal.	Nitrile Rubber & Steel with Steel rings.	+100° -30°	60	Metric	Call

Please note that as every manufacturer has different limits for their seals, the information given in this catalogue is a guide only. For information relating to a particular seal please contact the FPE sales team.

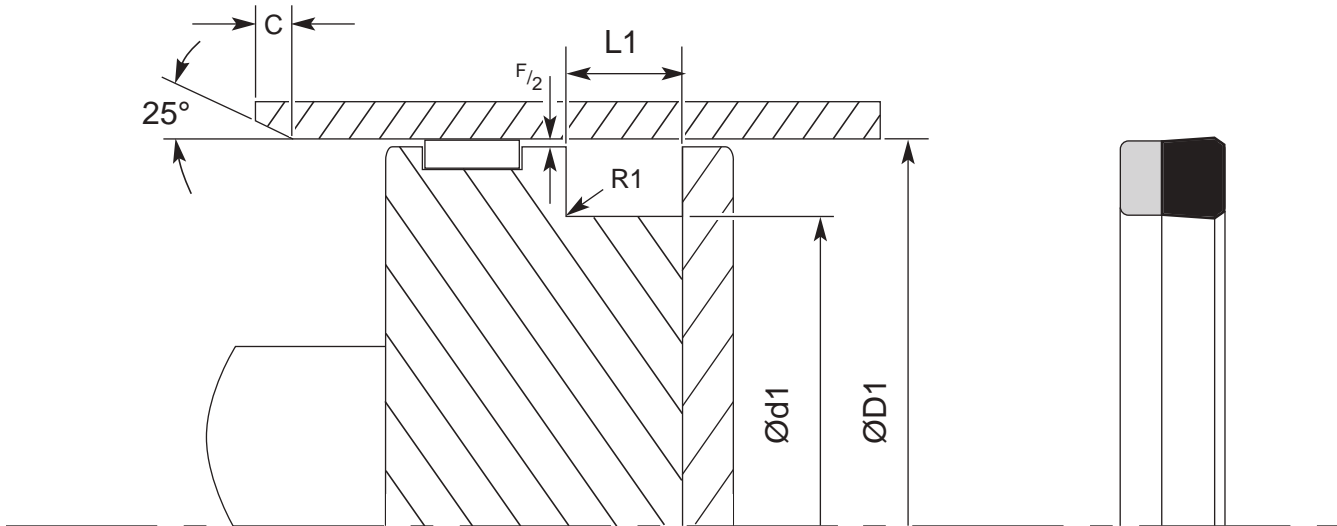
Fluid Power

The Hydraulic Seal Specialists



SA-P

Metric **S**ingle **A**cting Rod or Piston Seal **P**lain



Maximum Diametrical Clearance F

Pressure	Bar	100	200	300	400
Maximum Gap	mm	0.40	0.30	0.20	0.10

Tolerances

ØD1	Ød1	L1
H10	Js11	+0.40/+0.60

Operating Conditions

Max Speed	Temp Range
m/s	-30° to 100°C
0.50	250 Bar
0.15	400 Bar

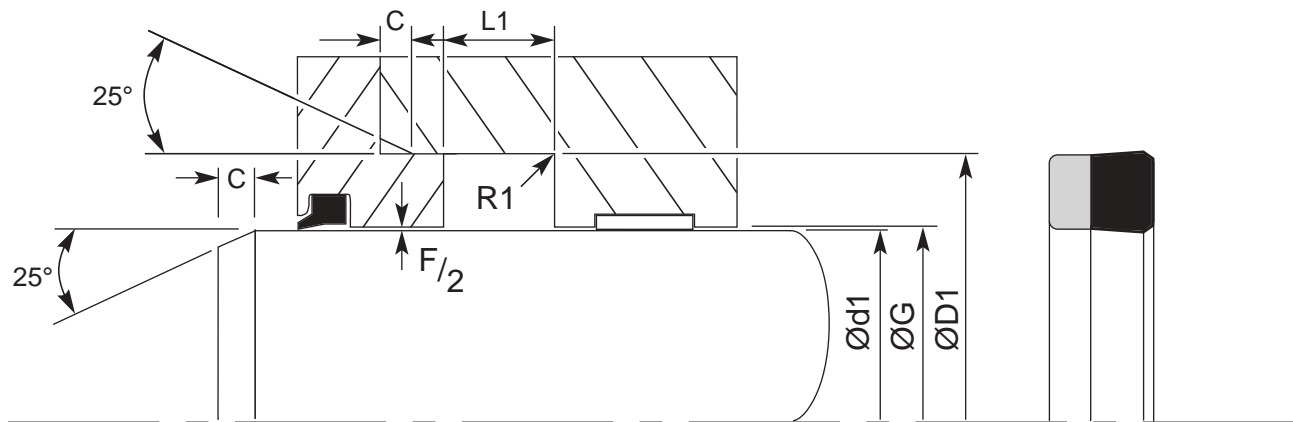
SA-P is a symmetrical seal designed for use as a single acting rod seal or piston seal. The seal consists of a precision moulded Nitrile rubber sealing element with a fabric reinforced base to help prevent extrusion. Designed with initial radial interference to effect low pressure sealing, at higher pressures the seal is energised thus increasing the sealing force. The rubberised fabric also retains some of the sealing media which helps reduce friction and wear.

Fluid Power

The Hydraulic Seal Specialists

SA-P

Metric **S**ingle **A**cting Rod or Piston Seal **P**lain



Maximum Diametrical Clearance F

Pressure	Bar	100	200	300	400
Maximum Gap	mm	0.40	0.30	0.20	0.10

Tolerances

ØD1	Ød1	ØG	L1
Js11	f8	H9	+0.40/+0.60

Operating Conditions

Max Speed	Temp Range
m/s	-30° to 100°C
0.50	250 Bar
0.15	400 Bar

SA-P is a symmetrical seal designed for use as a single acting rod seal or piston seal. The seal consists of a precision moulded Nitrile rubber sealing element with a fabric reinforced base to help prevent extrusion. Designed with initial radial interference to effect low pressure sealing, at higher pressures the seal is energised thus increasing the sealing force. The rubberised fabric also retains some of the sealing media which helps reduce friction and wear.

Fluid **Power**

The Hydraulic Seal Specialists



SA-P

Metric **S**ingle **A**cting Rod or Piston Seal **P**lain

Part Number	*ØD1	*Ød1	*L1	*ØG	min	max
					C	R ₁
SA12-5-6P	12.00	5.00	6.00	5.00	3.00	0.20
SA13-6-6P	13.00	6.00	6.00	6.00	4.00	0.20
SA14-6-5.6P	14.00	6.00	5.60	6.00	2.00	0.20
SA14-6-6P	14.00	6.00	6.00	6.00	5.00	0.30
SA15-8-6P	15.00	8.00	6.00	8.00	5.00	0.30
SA16-8-6P	16.00	8.00	6.00	8.00	2.00	0.20
SA16-8-5.5P	16.00	8.00	5.50	8.00	5.00	0.20
SA17-10-6P	17.00	10.00	6.00	10.00	5.00	0.30
SA17-10-6.3P	17.00	10.00	6.30	10.00	4.00	0.20
SA18-10-5.6P	18.00	10.00	5.60	10.00	2.00	0.20
SA18-12-7P	18.00	12.00	7.00	12.00	5.00	0.30
SA19-12-5.8P	19.00	12.00	5.80	12.00	4.00	0.20
SA19-12-6P	19.00	12.00	6.00	12.00	4.00	0.20
SA19-12-6.3P	19.00	12.00	6.30	12.00	4.00	0.20
SA19-12-6.5P	19.00	12.00	6.60	12.00	2.00	0.20
SA20-12-5.6P	20.00	12.00	5.60	12.00	2.00	0.20
SA20-12-6P	20.00	12.00	6.00	12.00	5.00	0.30
SA20-12-6.3P	20.00	12.00	6.30	12.00	4.00	0.20
SA20-12-7P	20.00	12.00	7.00	12.00	4.00	0.20
SA22-14-5.6P	22.00	14.00	5.60	14.00	2.00	0.20
SA22-14-6P	22.00	14.00	6.00	14.00	4.00	0.20
SA22-14-6.5P	22.00	14.00	6.50	14.00	4.00	0.20
SA22-14-8P	22.00	14.00	8.10	14.00	2.00	0.20
SA22-15-7P	22.00	15.00	7.10	15.00	2.00	0.20
SA23-15-5.8P	23.00	15.00	5.80	15.00	4.00	0.20
SA23-15-6P	23.00	15.00	6.00	15.00	4.00	0.20
SA23-15-6.5P	23.00	15.00	6.50	15.00	4.00	0.20
SA24-14-6.5P	24.00	14.00	6.50	14.00	4.00	0.40
SA24-14-7P	24.00	14.00	7.10	14.00	2.00	0.20
SA24-16-5.9P	24.00	16.00	5.90	16.00	4.00	0.20
SA24-16-6.5P	24.00	16.00	6.50	16.00	4.00	0.20
SA24-16-7P	24.00	16.00	7.10	16.00	2.00	0.20
SA24-18-5P	24.00	18.00	5.00	18.00	4.00	0.20
SA24.4-18-4.4P	24.40	18.00	4.40	18.00	2.00	0.20
SA25-10-12.5P	25.00	10.00	12.60	10.00	4.00	0.80
SA25-12-9.5P	25.00	12.00	9.50	12.00	4.00	0.40
SA25-12-10P	25.00	12.00	10.00	12.00	4.00	0.40
SA25-15-7P	25.00	15.00	7.10	15.00	2.50	0.40
SA25-15-7.5P	25.00	15.00	7.50	15.00	4.00	0.20
SA25-18-6.5P	25.00	18.00	6.50	18.00	4.00	0.20

3 * Nominal Dimensions

Fluid Power

The Hydraulic Seal Specialists

SA-P

Metric **S**ingle **A**cting Rod or Piston Seal **P**lain

Part Number	*ØD1	*Ød1	*L1	*ØG	min	max
					C	R ₁
SA25-18-7P	25.00	18.00	7.00	18.00	4.00	0.20
SA25-18-7.5P	25.00	18.00	7.50	18.00	5.00	0.30
SA26-16-7P	26.00	16.00	7.10	16.00	2.50	0.40
SA26-16-7.5P	26.00	16.00	7.50	16.00	4.00	0.40
SA26-16-8P	26.00	16.00	8.10	16.00	2.50	0.40
SA26-17-5.3P	26.00	17.00	5.30	17.00	2.00	0.20
SA26-18-5.6P	26.00	18.00	5.60	18.00	2.00	0.20
SA26-18-5.8P	26.00	18.00	5.90	18.00	2.00	0.20
SA26-18-6P	26.00	18.00	6.00	18.00	4.00	0.20
SA26-18-6.5P	26.00	18.00	6.50	18.00	4.00	0.20
SA26-20-5P	26.00	20.00	5.00	20.00	1.50	0.20
SA27-15-6.5P	27.00	15.00	6.50	15.00	2.50	0.40
SA27-20-6P	27.00	20.00	6.00	20.00	4.00	0.20
SA28-16-7P	28.00	16.00	7.00	16.00	4.00	0.40
SA28-18-5.8P	28.00	18.00	5.80	18.00	4.00	0.40
SA28-18-6P	28.00	18.00	6.00	18.00	4.00	0.40
SA28-18-7P	28.00	18.00	7.10	18.00	2.50	0.40
SA28-18-9.5P	28.00	18.00	9.60	18.00	2.50	0.40
SA28-20-5.8P	28.00	20.00	5.80	20.00	4.00	0.20
SA28-20-6P	28.00	20.00	6.00	20.00	2.50	0.20
SA28-20-6.5P	28.00	20.00	6.50	20.00	4.00	0.20
SA28-20-7P	28.00	20.00	7.10	20.00	2.00	0.40
SA28.4-22-4.4P	28.40	22.00	4.40	22.00	2.00	0.20
SA29-19-7.5P	29.00	19.00	7.60	19.00	4.00	0.40
SA29-19-8P	29.00	19.00	8.00	19.00	4.00	0.40
SA30-18-7P	30.00	18.00	7.00	18.00	4.00	0.40
SA30-20-7P	30.00	20.00	7.10	20.00	2.50	0.40
SA30-20-8P	30.00	20.00	8.00	20.00	4.00	0.40
SA30-20-10.5P	30.00	20.00	10.60	20.00	2.50	0.40
SA30-22-5.6P	30.00	22.00	5.60	22.00	2.00	0.20
SA30-22-5.8P	30.00	22.00	5.80	22.00	2.00	0.20
SA30-22-6P	30.00	22.00	6.00	22.00	2.00	0.20
SA30-22-6.5P	30.00	22.00	6.50	22.00	4.00	0.20
SA30-22-7P	30.00	22.00	7.00	22.00	2.00	0.20
SA31-18-13P	31.00	18.00	13.10	18.00	3.00	0.80
SA32-16-8P	32.00	16.00	8.00	16.00	4.00	0.80
SA32-17-10.5P	32.00	17.00	10.60	17.00	4.00	0.80
SA32-20-10P	32.00	20.00	10.00	20.00	4.00	0.40
SA32-22-6P	32.00	22.00	6.00	22.00	2.50	0.40
SA32-22-7P	32.00	22.00	7.10	22.00	2.50	0.40

* Nominal Dimensions

Fluid **Power**

The Hydraulic Seal Specialists

**SA-P**Metric **S**ingle **A**cting Rod or Piston Seal **P**lain

Part Number	*ØD1	*Ød1	*L1	*ØG	min	max
					C	R ₁
SA32-22-8.5P	32.00	22.00	8.60	22.00	2.50	0.40
SA32-22-9.5P	32.00	22.00	9.50	22.00	2.50	0.30
SA32-24-6P	32.00	24.00	6.10	24.00	2.00	0.20
SA32-24-6.5P	32.00	24.00	6.60	24.00	2.00	0.20
SA32-24-7P	32.00	24.00	7.00	24.00	4.00	0.20
SA32-25-6P	32.00	25.00	6.00	25.00	4.00	0.20
SA33-25-6P	33.00	25.00	6.00	25.00	4.00	0.20
SA33-25-6.5P	33.00	25.00	6.50	25.00	4.00	0.20
SA33-25-7P	33.00	25.00	7.00	25.00	4.00	0.20
SA34-19-10.5P	34.00	19.00	10.60	19.00	4.00	0.80
SA34-22-9P	34.00	22.00	9.00	22.00	4.00	0.40
SA34-24-6P	34.00	24.00	6.00	24.00	4.00	0.40
SA35-18-12.5P	35.00	18.00	12.60	18.00	4.00	0.80
SA35-20-10.5P	35.00	20.00	10.60	20.00	4.00	0.80
SA35-20-11P	35.00	20.00	11.00	20.00	4.00	0.80
SA35-22-9.5P	35.00	22.00	9.50	22.00	5.00	0.30
SA35-25-7.5P	35.00	25.00	7.60	25.00	2.50	0.40
SA35-25-8P	35.00	25.00	8.00	25.00	4.00	0.40
SA35-25-8.5P	35.00	25.00	8.50	25.00	4.00	0.40
SA35-25-10P	35.00	25.00	10.00	25.00	4.00	0.40
SA35-27-6P	35.00	27.00	6.00	27.00	4.00	0.20
SA36-24-7.8P	36.00	24.00	7.80	24.00	4.00	0.40
SA36-28-5.6P	36.00	28.00	5.60	28.00	2.00	0.20
SA36-28-6P	36.00	28.00	6.00	28.00	4.00	0.20
SA36-28-7P	36.00	28.00	7.10	28.00	2.00	0.20
SA37-22-10.5P	37.00	22.00	10.50	22.00	4.00	0.80
SA37-25-10.5P	37.00	25.00	10.60	25.00	2.50	0.40
SA37-30-6P	37.00	30.00	6.10	30.00	2.00	0.20
SA37.5-30-6P	37.50	30.00	6.00	30.00	4.00	0.20
SA38-23-10.5P	38.00	23.00	10.60	23.00	4.00	0.80
SA38-25-9.5P	38.00	25.00	9.50	25.00	4.00	0.40
SA38-25-10P	38.00	25.00	10.00	25.00	4.00	0.40
SA38-28-7.5P	38.00	28.00	7.50	28.00	4.00	0.40
SA38-28-8P	38.00	28.00	8.00	28.00	4.00	0.40
SA38-28-8.5P	38.00	28.00	8.60	28.00	2.50	0.40
SA38-30-6P	38.00	30.00	6.00	30.00	4.00	0.20
SA38-30-6.5P	38.00	30.00	6.60	30.00	2.00	0.20
SA38-30-7P	38.00	30.00	7.00	30.00	4.00	0.20
SA38-30-7.5P	38.00	30.00	7.60	30.00	2.00	0.20
SA38-30-8P	38.00	30.00	8.10	30.00	2.00	0.20

5 * Nominal Dimensions

Fluid Power

The Hydraulic Seal Specialists

SA-P

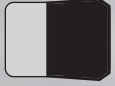
Metric **S**ingle **A**cting Rod or Piston Seal **P**lain

Part Number	*ØD1	*Ød1	*L1	*ØG	min	max
					C	R ₁
SA38-30-8.5P	38.00	30.00	8.50	30.00	4.00	0.20
SA40-20-12P	40.00	20.00	12.10	20.00	5.00	0.80
SA40-25-10.5P	40.00	25.00	10.60	25.00	4.00	0.80
SA40-25-11.5P	40.00	25.00	11.50	25.00	4.00	0.20
SA40-26-9.5P	40.00	26.00	9.50	26.00	4.00	0.40
SA40-28-8.5P	40.00	28.00	8.60	28.00	3.00	0.80
SA40-28-9P	40.00	28.00	9.00	28.00	4.00	0.40
SA40-28-10P	40.00	28.00	10.20	28.00	3.00	0.80
SA40-28-12.5P	40.00	28.00	12.60	28.00	3.00	0.80
SA40-30-7P	40.00	30.00	7.00	30.00	4.00	0.40
SA40-30-8P	40.00	30.00	8.00	30.00	4.00	0.40
SA40-30-9.5P	40.00	30.00	9.60	30.00	2.50	0.40
SA40-30-10.5P	40.00	30.00	10.50	30.00	4.00	0.40
SA40-32-5.5P	40.00	32.00	5.50	32.00	4.00	0.20
SA40-32-6P	40.00	32.00	6.00	32.00	4.00	0.20
SA40-32-7P	40.00	32.00	7.10	32.00	2.00	0.20
SA40-32-8.5P	40.00	32.00	8.50	32.00	4.00	0.20
SA41-28-9.5P	41.00	28.00	9.50	28.00	4.00	0.40
SA41.6-30-7.5P	41.60	30.00	7.50	30.00	5.00	0.30
SA42-27-10.5P	42.00	27.00	10.60	27.00	4.00	0.80
SA42-30-8.5P	42.00	30.00	8.60	30.00	3.00	0.80
SA42-30-10P	42.00	30.00	10.00	30.00	4.00	0.40
SA42-32-7.5P	42.00	32.00	7.50	32.00	2.50	0.40
SA42-32-9P	42.00	32.00	9.00	32.00	2.50	0.40
SA42-32-10.5P	42.00	32.00	10.50	32.00	4.00	0.40
SA42-35-7P	42.00	35.00	7.00	35.00	4.00	0.20
SA43-28-10.5P	43.00	28.00	10.60	28.00	4.00	0.80
SA43-35-6P	43.00	35.00	6.00	35.00	4.00	0.20
SA43-36-6P	43.00	36.00	6.00	36.00	4.00	0.20
SA44-25-12P	44.00	25.00	12.00	25.00	4.00	0.80
SA44-28-15.5P	44.00	28.00	15.60	28.00	4.00	0.80
SA44-32-10.5P	44.00	32.00	10.60	32.00	3.00	0.40
SA44-32-11P	44.00	32.00	11.00	32.00	4.00	0.40
SA44-32-11.5P	44.00	32.00	11.50	32.00	4.00	0.40
SA44-36-5.6P	44.00	36.00	5.60	36.00	2.00	0.20
SA44-36-6P	44.00	36.00	6.00	36.00	4.00	0.20
SA44-36-8P	44.00	36.00	8.00	36.00	2.00	0.20
SA44-38-5P	44.00	38.00	5.00	38.00	4.00	0.20
SA45-26-13.5P	45.00	26.00	13.60	26.00	5.00	0.80
SA45-30-8.5P	45.00	30.00	8.50	30.00	4.00	0.80

* Nominal Dimensions

Fluid **Power**

The Hydraulic Seal Specialists

**SA-P**Metric **S**ingle **A**cting Rod or Piston Seal **P**lain

Part Number	*ØD1	*Ød1	*L1	*ØG	min	max
					C	R ₁
SA45-30-9P	45.00	30.00	9.00	30.00	4.00	0.40
SA45-30-10.5P	45.00	30.00	10.60	30.00	4.00	0.80
SA45-30-11P	45.00	30.00	11.00	30.00	4.00	0.40
SA45-32-9.5P	45.00	32.00	9.50	32.00	4.00	0.40
SA45-32-10.5P	45.00	32.00	10.60	32.00	4.00	0.40
SA45-33-10.5P	45.00	33.00	10.60	33.00	4.00	0.40
SA45-35-6.5P	45.00	35.00	6.50	35.00	4.00	0.20
SA45-35-7P	45.00	35.00	7.10	35.00	2.50	0.40
SA45-35-7.5P	45.00	35.00	7.50	35.00	4.00	0.40
SA45-35-8.5P	45.00	35.00	8.50	35.00	4.00	0.40
SA45-35-9.5P	45.00	35.00	9.60	35.00	2.50	0.40
SA45-35-10P	45.00	35.00	10.00	35.00	4.00	0.40
SA45-35-10.5P	45.00	35.00	10.50	35.00	4.00	0.40
SA45-35-13P	45.00	35.00	13.00	35.00	4.00	0.40
SA46-32-9.5P	46.00	32.00	9.60	32.00	4.00	0.80
SA46-36-7.5P	46.00	36.00	7.60	36.00	4.00	0.40
SA46-36-8P	46.00	36.00	8.00	36.00	4.00	0.40
SA47-32-10.5P	47.00	32.00	10.60	32.00	4.00	0.80
SA48-28-11P	48.00	28.00	11.00	28.00	5.00	0.80
SA48-36-8.5P	48.00	36.00	8.60	36.00	3.00	0.80
SA48-36-9P	48.00	36.00	9.00	36.00	4.00	0.40
SA48-40-6P	48.00	40.00	6.00	40.00	4.00	0.20
SA48-40-8P	48.00	40.00	8.00	40.00	4.00	0.20
SA50-28-14.5P	50.00	28.00	14.60	28.00	5.00	0.80
SA50-30-13.5P	50.00	30.00	13.60	30.00	5.00	0.80
SA50-30-14P	50.00	30.00	14.00	30.00	4.00	0.80
SA50-31-13.9P	50.00	31.00	13.90	31.00	5.00	0.80
SA50-35-10.5P	50.00	35.00	10.50	35.00	4.00	0.80
SA50-35-11P	50.00	35.00	11.00	35.00	4.00	0.80
SA50-35-12P	50.00	35.00	12.00	35.00	4.00	0.80
SA50-38-9P	50.00	38.00	9.00	38.00	4.00	0.40
SA50-38-9.5P	50.00	38.00	9.50	38.00	4.00	0.40
SA50-40-6P	50.00	40.00	6.00	40.00	4.00	0.40
SA50-40-7P	50.00	40.00	7.00	40.00	2.50	0.40
SA50-40-7.5P	50.00	40.00	7.50	40.00	4.00	0.40
SA50-40-9.5P	50.00	40.00	9.60	40.00	2.50	0.40
SA50-40-10P	50.00	40.00	10.00	40.00	4.00	0.40
SA50-40-10.5P	50.00	40.00	10.50	40.00	4.00	0.40
SA50-40-11P	50.00	40.00	11.00	40.00	4.00	0.40
SA50-40-13P	50.00	40.00	13.00	40.00	4.00	0.40

7 * Nominal Dimensions

Fluid Power

The Hydraulic Seal Specialists

SA-P

Metric **S**ingle **A**cting Rod or Piston Seal **P**lain

Part Number	*ØD1	*Ød1	*L1	*ØG	min	max
					C	R ₁
SA50-42-6P	50.00	42.00	6.00	42.00	4.00	0.20
SA50-42-7P	50.00	42.00	7.10	42.00	2.00	0.20
SA51-36-10.5P	51.00	36.00	10.60	36.00	4.00	0.80
SA51-36-11P	51.00	36.00	11.00	36.00	4.00	0.40
SA52-40-15.5P	52.00	40.00	15.60	40.00	3.00	0.40
SA53-38-10.5P	53.00	38.00	10.60	38.00	4.00	0.40
SA53-43-8.5P	53.00	43.00	8.50	43.00	4.00	0.40
SA53-44-7.5P	53.00	44.00	7.50	44.00	5.00	0.30
SA53-45-6P	53.00	45.00	6.00	45.00	4.00	0.20
SA53-45-8P	53.00	45.00	8.00	45.00	4.00	0.20
SA53-45-10P	53.00	45.00	10.10	45.00	2.00	0.20
SA54-46-7.5P	54.00	46.00	7.50	46.00	4.00	0.20
SA55-40-7.5P	55.00	40.00	7.50	40.00	4.00	0.80
SA55-40-10.5P	55.00	40.00	10.60	40.00	4.00	0.80
SA55-40-11P	55.00	40.00	11.00	40.00	4.00	0.80
SA55-45-6P	55.00	45.00	6.00	45.00	4.00	0.40
SA55-45-7.5P	55.00	45.00	7.50	45.00	4.00	0.40
SA55-45-6.75P	55.00	45.00	6.75	45.00	4.00	0.40
SA55-45-10P	55.00	45.00	10.10	45.00	4.00	0.40
SA56-40-9.5P	56.00	40.00	9.60	40.00	4.00	0.40
SA56-41-10.5P	56.00	41.00	10.60	41.00	4.00	0.80
SA56-46-7.5P	56.00	46.00	7.50	46.00	4.00	0.40
SA57-36-12P	57.00	36.00	12.00	36.00	5.00	0.80
SA57-42-10.5P	57.00	42.00	10.60	42.00	4.00	0.80
SA57-42-11.5P	57.00	42.00	11.60	42.00	4.00	0.80
SA57-47-8.5P	57.00	47.00	8.50	47.00	5.00	0.30
SA57-47-9.5P	57.00	47.00	9.60	47.00	2.50	0.40
SA58-50-8P	58.00	50.00	8.00	50.00	2.00	0.20
SA58-50-12P	58.00	50.00	12.00	50.00	5.00	0.30
SA60-40-10P	60.00	40.00	10.00	40.00	5.00	0.80
SA60-40-12.5P	60.00	40.00	12.50	40.00	5.00	0.80
SA60-40-13.5P	60.00	40.00	13.60	40.00	5.00	0.80
SA60-40-14P	60.00	40.00	14.00	40.00	5.00	0.80
SA60-40-14.5P	60.00	40.00	14.50	40.00	5.00	0.80
SA60-40-17.5P	60.00	40.00	17.60	40.00	5.00	0.80
SA60-45-9.5P	60.00	45.00	9.60	45.00	4.00	0.80
SA60-45-10P	60.00	45.00	10.00	45.00	5.00	0.80
SA60-45-10.5P	60.00	45.00	10.60	45.00	4.00	0.80
SA60-45-11P	60.00	45.00	11.00	45.00	5.00	0.80
SA60-45-15.5P	60.00	45.00	15.60	45.00	4.00	0.80

* Nominal Dimensions

Fluid **Power**

The Hydraulic Seal Specialists

**SA-P**Metric **S**ingle **A**cting Rod or Piston Seal **P**lain

Part Number	*ØD1	*Ød1	*L1	*ØG	min	max
					C	R ₁
SA60-48-6.5P	60.00	48.00	6.50	48.00	5.00	0.40
SA60-48-10.5P	60.00	48.00	10.50	48.00	5.00	0.40
SA60-50-6P	60.00	50.00	6.00	50.00	5.00	0.40
SA60-50-6.7P	60.00	50.00	6.70	50.00	2.50	0.40
SA60-50-7P	60.00	50.00	7.10	50.00	2.50	0.40
SA60-50-7.5P	60.00	50.00	7.50	50.00	5.00	0.40
SA60-50-9.5P	60.00	50.00	9.50	50.00	5.00	0.40
SA60-50-10P	60.00	50.00	10.00	50.00	5.00	0.40
SA60-50-10.5P	60.00	50.00	10.50	50.00	5.00	0.40
SA60-50-11P	60.00	50.00	11.00	50.00	5.00	0.40
SA60-50-14P	60.00	50.00	14.00	50.00	5.00	0.40
SA62-47-11.5P	62.00	47.00	11.50	47.00	5.00	0.80
SA62-50-9P	62.00	50.00	9.00	50.00	5.00	0.40
SA62-50-9.5P	62.00	50.00	9.50	50.00	5.00	0.40
SA62-50-10.5P	62.00	50.00	10.60	50.00	3.00	0.40
SA62-50-12.5P	62.00	50.00	12.60	50.00	3.00	0.40
SA63-43-13.5P	63.00	43.00	13.60	43.00	5.00	0.80
SA63-43-14P	63.00	43.00	14.00	43.00	5.00	0.80
SA63-45-10.5P	63.00	45.00	10.50	45.00	5.00	0.80
SA63-48-10.5P	63.00	48.00	10.60	48.00	5.00	0.80
SA63-48-11P	63.00	48.00	11.00	48.00	5.00	0.40
SA63-51-8.5P	63.00	51.00	8.60	51.00	3.00	0.80
SA63-55-8P	63.00	55.00	8.10	55.00	2.00	0.40
SA64.5-50-11P	64.50	50.00	11.00	50.00	5.00	0.30
SA65-45-14P	65.00	45.00	14.00	45.00	5.00	0.80
SA65-45-14.5P	65.00	45.00	14.50	45.00	5.00	0.40
SA65-50-9.5P	65.00	50.00	9.50	50.00	4.00	0.80
SA65-50-10P	65.00	50.00	10.00	50.00	5.00	0.80
SA65-50-10.5P	65.00	50.00	10.50	50.00	5.00	0.80
SA65-50-11P	65.00	50.00	11.00	50.00	5.00	0.80
SA65-53-10.5P	65.00	53.00	10.60	53.00	3.00	0.80
SA65-55-7.5P	65.00	55.00	7.50	55.00	5.00	0.40
SA65-55-10P	65.00	55.00	10.00	55.00	2.50	0.40
SA65-55-10.5P	65.00	55.00	10.50	55.00	5.00	0.40
SA65-55-11P	65.00	55.00	11.00	55.00	5.00	0.40
SA66-50-12.5P	66.00	50.00	12.60	50.00	5.00	0.40
SA66-54-9P	66.00	54.00	9.00	54.00	5.00	0.40
SA66-56-7P	66.00	56.00	7.00	56.00	5.00	0.40
SA66-56-7.5P	66.00	56.00	7.50	56.00	5.00	0.40
SA67-55-10P	67.00	55.00	10.00	55.00	3.00	0.40

9 * Nominal Dimensions

Fluid Power

The Hydraulic Seal Specialists

SA-P

Metric **S**ingle **A**cting Rod or Piston Seal **P**lain

Part Number	*ØD1	*Ød1	*L1	*ØG	min	max
					C	R ₁
SA67-57-7.5P	67.00	57.00	7.50	57.00	5.00	0.30
SA68-52-12P	68.00	52.00	12.00	52.00	4.00	0.80
SA68-56-8.5P	68.00	56.00	8.60	56.00	2.50	0.40
SA68-56-10.5P	68.00	56.00	10.60	56.00	3.00	0.40
SA68-60-10.5P	68.00	60.00	10.60	60.00	2.00	0.40
SA69-61-8P	69.00	61.00	8.00	61.00	5.00	0.30
SA69.5-60-6.5P	69.50	60.00	6.50	60.00	5.00	0.40
SA70-50-13.5P	70.00	50.00	13.60	50.00	5.00	0.80
SA70-50-14P	70.00	50.00	14.00	50.00	5.00	0.80
SA70-50-14.5P	70.00	50.00	14.50	50.00	5.00	0.80
SA70-55-10P	70.00	55.00	10.00	55.00	5.00	0.80
SA70-55-15.5P	70.00	55.00	15.60	55.00	4.00	0.80
SA70-56-12P	70.00	56.00	12.00	56.00	4.00	0.40
SA70-58-10P	70.00	58.00	10.00	58.00	5.00	0.20
SA70-60-6P	70.00	60.00	6.00	60.00	5.00	0.40
SA70-60-7.5P	70.00	60.00	7.50	60.00	5.00	0.40
SA70-60-8P	70.00	60.00	8.00	60.00	5.00	0.40
SA70-60-9P	70.00	60.00	9.00	60.00	5.00	0.40
SA70-60-9.5P	70.00	60.00	9.60	60.00	2.50	0.40
SA70-60-12.5P	70.00	60.00	12.50	60.00	5.00	0.40
SA70-60-14P	70.00	60.00	14.10	60.00	2.50	0.40
SA71-56-10P	71.00	56.00	10.00	56.00	5.00	0.80
SA71-56-11.5P	71.00	56.00	11.60	56.00	4.00	0.80
SA71-56-12.5P	71.00	56.00	12.60	56.00	4.00	0.80
SA71-60-8.5P	71.00	60.00	8.60	60.00	4.00	0.20
SA72-48-17.5P	72.00	48.00	17.60	48.00	6.50	1.20
SA72-60-9P	72.00	60.00	9.10	60.00	2.50	0.40
SA72-60-9.5P	72.00	60.00	9.50	60.00	5.00	0.40
SA72-60-10.5P	72.00	60.00	10.50	60.00	3.00	0.40
SA73-42-22.5P	73.00	42.00	22.60	42.00	7.50	1.60
SA73-63-12P	73.00	63.00	12.00	63.00	5.00	0.40
SA73-65-5.6P	73.00	65.00	5.60	65.00	2.00	0.20
SA73-65-8P	73.00	65.00	8.10	65.00	2.00	0.40
SA74-44-14.5P	74.00	44.00	14.60	44.00	7.50	1.60
SA75-55-13.5P	75.00	55.00	13.60	55.00	5.00	0.80
SA75-55-14P	75.00	55.00	14.00	55.00	5.00	0.80
SA75-60-11.5P	75.00	60.00	11.60	60.00	4.00	0.80
SA75-60-12.5P	75.00	60.00	12.50	60.00	5.00	0.40
SA75-60-13P	75.00	60.00	13.00	60.00	5.00	0.80
SA75-60.5-14P	75.00	60.50	14.00	60.50	5.00	0.80

* Nominal Dimensions

Fluid **Power**

The Hydraulic Seal Specialists

**SA-P**Metric **S**ingle **A**cting Rod or Piston Seal **P**lain

Part Number	*ØD1	*Ød1	*L1	*ØG	min	max
					C	R ₁
SA75-63-7.5P	75.00	63.00	7.50	63.00	5.00	0.40
SA75-63-9P	75.00	63.00	9.00	63.00	5.00	0.40
SA75-63-10.5P	75.00	63.00	10.50	63.00	5.00	0.40
SA75-63-12.5P	75.00	63.00	12.60	63.00	3.00	0.40
SA75-65-6P	75.00	65.00	6.00	65.00	5.00	0.40
SA75-65-8P	75.00	65.00	8.00	65.00	5.00	0.40
SA75-65-13P	75.00	65.00	13.00	65.00	5.00	0.30
SA76-56-14P	76.00	56.00	14.00	56.00	5.00	0.80
SA76-56-14.5P	76.00	56.00	14.50	56.00	5.00	0.80
SA76-60-9.5P	76.00	60.00	9.60	60.00	4.00	0.80
SA76-68-7.5P	76.00	68.00	7.50	68.00	5.00	0.30
SA76-70-5.5P	76.00	70.00	5.50	70.00	5.00	0.30
SA77-62-11.5P	77.00	62.00	11.50	62.00	5.00	0.80
SA77-65-9P	77.00	65.00	9.00	65.00	5.00	0.40
SA77-65-9.1P	77.00	65.00	9.10	65.00	5.00	0.80
SA77-65-10.5P	77.00	65.00	10.60	65.00	3.00	0.80
SA78-54-11P	78.00	54.00	11.00	54.00	6.50	1.20
SA78-63-12.5P	78.00	63.00	12.60	63.00	4.00	0.80
SA78-70-5.6P	78.00	70.00	5.60	70.00	2.00	0.20
SA78-70-6P	78.00	70.00	6.10	70.00	2.00	0.20
SA78-70-10.5P	78.00	70.00	10.60	70.00	2.00	0.20
SA79-70-6P	79.00	70.00	6.10	70.00	2.00	0.20
SA80-50-24.5P	80.00	50.00	24.60	50.00	7.50	1.60
SA80-50-25P	80.00	50.00	25.00	50.00	5.00	0.80
SA80-60-12.5P	80.00	60.00	12.60	60.00	5.00	0.80
SA80-60-13.5P	80.00	60.00	13.60	60.00	5.00	0.80
SA80-60-14P	80.00	60.00	14.00	60.00	5.00	0.80
SA80-65-10.5P	80.00	65.00	10.60	65.00	5.00	0.80
SA80-65-11P	80.00	65.00	11.00	65.00	5.00	0.80
SA80-65-11.5P	80.00	65.00	11.60	65.00	5.00	0.80
SA80-65-12P	80.00	65.00	12.00	65.00	5.00	0.80
SA80-66-10.5P	80.00	66.00	10.50	66.00	5.00	0.30
SA80-70-7P	80.00	70.00	7.10	70.00	2.50	0.40
SA80-70-7.5P	80.00	70.00	7.50	70.00	5.00	0.40
SA80-70-11.5P	80.00	70.00	11.50	70.00	2.50	0.40
SA80-70-12.5P	80.00	70.00	12.50	70.00	5.00	0.40
SA82-51-24.5P	82.00	51.00	24.60	51.00	7.50	1.60
SA82-70-9P	82.00	70.00	9.00	70.00	5.00	0.40
SA82-70-9.2P	82.00	70.00	9.20	70.00	5.00	0.30
SA82-70-10P	82.00	70.00	10.00	70.00	5.00	0.40

Fluid Power

The Hydraulic Seal Specialists

SA-P

Metric **S**ingle **A**cting Rod or Piston Seal **P**lain

Part Number	*ØD1	*Ød1	*L1	*ØG	min	max
					C	R ₁
SA82-70-10.5P	82.00	70.00	10.50	70.00	3.00	0.40
SA83-63-13.5P	83.00	63.00	13.60	63.00	5.00	0.80
SA83-63-14P	83.00	63.00	14.00	63.00	5.00	0.80
SA83-63-14.5P	83.00	63.00	14.50	63.00	5.00	0.80
SA83-75-6P	83.00	75.00	6.00	75.00	5.00	0.20
SA84-70-11.5P	84.00	70.00	11.60	70.00	5.00	0.80
SA84-70-12P	84.00	70.00	12.00	70.00	5.00	0.40
SA84-76-8P	84.00	76.00	8.00	76.00	5.00	0.30
SA85-55-23.5P	85.00	55.00	23.60	55.00	7.50	1.60
SA85-61-11.5P	85.00	61.00	11.60	61.00	5.00	0.80
SA85-65-13.5P	85.00	65.00	13.60	65.00	5.00	0.80
SA85-65-14P	85.00	65.00	14.00	65.00	5.00	0.80
SA85-65-14.5P	85.00	65.00	14.50	65.00	5.00	0.80
SA85-70-9P	85.00	70.00	9.10	70.00	4.00	0.80
SA85-70-9.5P	85.00	70.00	9.50	70.00	5.00	0.80
SA85-70-11.5P	85.00	70.00	11.50	70.00	5.00	0.80
SA85-70-12P	85.00	70.00	12.10	70.00	4.00	0.80
SA85-70-12.5P	85.00	70.00	12.50	70.00	5.00	0.80
SA85-75-7.5P	85.00	75.00	7.50	75.00	5.00	0.40
SA85-75-10.5P	85.00	75.00	10.50	75.00	5.00	0.40
SA86-78-10.5P	86.00	78.00	10.60	78.00	2.00	0.40
SA87-75-9P	87.00	75.00	9.10	75.00	3.00	0.40
SA87-77-7.5P	87.00	77.00	7.50	77.00	5.00	0.30
SA88-78-12.5P	88.00	78.00	12.60	78.00	2.50	0.40
SA88-80-10.5P	88.00	80.00	10.60	80.00	2.00	0.40
SA88.5-79-6.5P	88.50	79.00	6.50	79.00	5.00	0.30
SA89-81-8P	89.00	81.00	8.10	81.00	2.00	0.40
SA89.5-75-11P	89.50	75.00	11.00	75.00	5.00	0.40
SA90-70-10P	90.00	70.00	10.10	70.00	5.00	0.80
SA90-70-11.5P	90.00	70.00	11.60	70.00	5.00	0.80
SA90-70-13.5P	90.00	70.00	13.60	70.00	5.00	0.80
SA90-70-14P	90.00	70.00	14.00	70.00	5.00	0.80
SA90-70-14.5P	90.00	70.00	14.50	70.00	5.00	0.80
SA90-70-15.5P	90.00	70.00	15.50	70.00	5.00	0.80
SA90-75-11P	90.00	75.00	11.00	75.00	5.00	0.30
SA90-75-11.5P	90.00	75.00	11.60	75.00	4.00	0.80
SA90-75-12P	90.00	75.00	12.00	75.00	5.00	0.80
SA90-75-15.5P	90.00	75.00	15.60	75.00	4.00	0.80
SA90-75.5-14P	90.00	75.50	14.00	75.50	4.00	0.80
SA90-78-12P	90.00	78.00	12.00	78.00	5.00	0.40

* Nominal Dimensions

Fluid Power

The Hydraulic Seal Specialists



SA-P

Metric **S**ingle **A**cting Rod or Piston Seal **P**lain

Part Number	*ØD1	*Ød1	*L1	*ØG	min	max
					C	R ₁
SA90-80-7P	90.00	80.00	7.10	80.00	2.50	0.40
SA90-80-7.5P	90.00	80.00	7.50	80.00	5.00	0.40
SA90-80-8P	90.00	80.00	8.00	80.00	5.00	0.40
SA90-80-10.5P	90.00	80.00	10.50	80.00	5.00	0.40
SA90-80-12.5P	90.00	80.00	12.50	80.00	5.00	0.40
SA91-81-7.5P	91.00	81.00	7.50	81.00	5.00	0.40
SA92-75-12P	92.00	75.00	12.10	75.00	4.00	0.80
SA92-77-11.5P	92.00	77.00	11.60	77.00	4.00	0.80
SA92-80-9P	92.00	80.00	9.00	80.00	5.00	0.40
SA92-80-9.2P	92.00	80.00	9.20	80.00	3.00	0.80
SA92-80-10.5P	92.00	80.00	10.60	80.00	3.00	0.40
SA92-84-5.5P	92.00	84.00	5.50	84.00	5.00	0.30
SA94-70-18.5P	94.00	70.00	18.60	70.00	6.50	1.20
SA94-84-7.5P	94.00	84.00	7.50	84.00	5.00	0.30
SA94-84.5-8.4P	94.00	84.50	8.40	84.50	5.00	0.30
SA95-65-17P	95.00	65.00	17.00	65.00	5.00	0.80
SA95-75-10.5P	95.00	75.00	10.50	75.00	5.00	0.40
SA95-75-11.5P	95.00	75.00	11.60	75.00	5.00	0.80
SA95-75-13.5P	95.00	75.00	13.60	75.00	5.00	0.80
SA95-75-14P	95.00	75.00	14.00	75.00	5.00	0.80
SA95-80-11.5P	95.00	80.00	11.60	80.00	4.00	0.80
SA95-80-12P	95.00	80.00	12.00	80.00	5.00	0.40
SA95-80-12.5P	95.00	80.00	12.50	80.00	5.00	0.40
SA95-85-7.5P	95.00	85.00	7.50	85.00	5.00	0.40
SA96-80-10P	96.00	80.00	10.00	80.00	5.00	0.80
SA96-88-7.5P	96.00	88.00	7.50	88.00	5.00	0.20
SA97-85-9P	97.00	85.00	9.00	85.00	5.00	0.40
SA97-85-12P	97.00	85.00	12.00	85.00	5.00	0.40
SA98-86-10P	98.00	86.00	10.00	86.00	3.00	0.20
SA99-91-8P	99.00	91.00	8.00	91.00	5.00	0.30
SA100-70-24.5P	100.00	70.00	24.60	70.00	7.50	1.60
SA100-80-10.85P	100.00	80.00	10.85	80.00	5.00	0.80
SA100-80-12.5P	100.00	80.00	12.60	80.00	5.00	0.80
SA100-80-13.5P	100.00	80.00	13.60	80.00	5.00	0.80
SA100-80-14P	100.00	80.00	14.00	80.00	5.00	0.80
SA100-80-14.5P	100.00	80.00	14.50	80.00	5.00	0.80
SA100-85-11.5P	100.00	85.00	11.50	85.00	5.00	0.80
SA100-85-12P	100.00	85.00	12.10	85.00	5.00	0.80
SA100-85-15.5P	100.00	85.00	15.60	85.00	5.00	0.80
SA100-90-8.5P	100.00	90.00	8.60	90.00	2.50	0.40

Fluid Power

The Hydraulic Seal Specialists

SA-P

Metric **S**ingle **A**cting Rod or Piston Seal **P**lain

Part Number	*ØD1	*Ød1	*L1	*ØG	min	max
					C	R ₁
SA100-90-9P	100.00	90.00	9.00	90.00	5.00	0.40
SA100-90-10P	100.00	90.00	10.00	90.00	5.00	0.40
SA100-90-10.5P	100.00	90.00	10.50	90.00	5.00	0.40
SA102-87-11.5P	102.00	87.00	11.50	87.00	5.00	0.80
SA102-90-9P	102.00	90.00	9.00	90.00	5.00	0.40
SA102-90-9.2P	102.00	90.00	9.20	90.00	3.00	0.80
SA102-92-10.5P	102.00	92.00	10.60	92.00	2.50	0.40
SA102.4-87-11.5P	102.40	87.00	11.60	87.00	4.00	0.80
SA104.5-85-9P	104.50	85.00	9.10	85.00	5.00	0.80
SA105-80-18.5P	105.00	80.00	18.60	80.00	6.50	1.20
SA105-85-9.5P	105.00	85.00	9.60	85.00	5.00	0.80
SA105-85-11P	105.00	85.00	11.10	85.00	5.00	0.80
SA105-85-11.5P	105.00	85.00	11.60	85.00	5.00	0.80
SA105-85-12.5P	105.00	85.00	12.60	85.00	5.00	0.80
SA105-85-14P	105.00	85.00	14.00	85.00	5.00	0.80
SA105-85-14.5P	105.00	85.00	14.60	85.00	5.00	0.80
SA105-90-9P	105.00	90.00	9.00	90.00	5.00	0.80
SA105-90-11.5P	105.00	90.00	11.60	90.00	4.00	0.80
SA105-90-12P	105.00	90.00	12.00	90.00	5.00	0.80
SA105-90.5-14P	105.00	90.50	14.00	90.50	5.00	0.80
SA105-95-10.5P	105.00	95.00	10.50	95.00	7.00	0.30
SA105-96-8P	105.00	96.00	8.00	96.00	5.00	0.30
SA107-82-15.5P	107.00	82.00	15.60	82.00	6.50	1.20
SA107-95-11.5P	107.00	95.00	11.60	95.00	3.00	0.80
SA107-95-12P	107.00	95.00	12.00	95.00	5.00	0.40
SA107.5-98-6.5P	107.50	98.00	6.50	98.00	5.00	0.30
SA108-93-11.5P	108.00	93.00	11.60	93.00	4.00	0.80
SA108-96-12P	108.00	96.00	12.00	96.00	5.00	0.30
SA108-97-12P	108.00	97.00	12.00	97.00	7.00	0.30
SA110-85-13P	110.00	85.00	13.00	85.00	7.00	0.40
SA110-85-20.5P	110.00	85.00	20.60	85.00	6.25	0.80
SA110-87-18P	110.00	87.00	18.10	87.00	5.00	0.80
SA110-90-9.5P	110.00	90.00	9.60	90.00	5.00	0.80
SA110-90-12P	110.00	90.00	12.00	90.00	5.00	0.80
SA110-90-13.5P	110.00	90.00	13.60	90.00	5.00	0.80
SA110-90-14P	110.00	90.00	14.00	90.00	5.00	0.80
SA110-90-14.5P	110.00	90.00	14.60	90.00	5.00	0.80
SA110-90-15P	110.00	90.00	15.00	90.00	5.00	0.80
SA110-90-20P	110.00	90.00	20.00	90.00	5.00	0.80
SA110-95-12P	110.00	95.00	12.00	95.00	5.00	0.30

* Nominal Dimensions

Fluid Power

The Hydraulic Seal Specialists



SA-P

Metric **S**ingle **A**cting Rod or Piston Seal **P**lain

Part Number	*ØD1	*Ød1	*L1	*ØG	min	max
					C	R ₁
SA111-101-5.5P	111.00	101.00	5.50	101.00	7.00	0.30
SA112-92-20P	112.00	92.00	20.00	92.00	5.00	0.80
SA113-100-13P	113.00	100.00	13.00	100.00	7.00	0.30
SA115-95-10.5P	115.00	95.00	10.60	95.00	5.00	0.80
SA115-95-13.5P	115.00	95.00	13.60	95.00	5.00	0.80
SA115-95-14P	115.00	95.00	14.00	95.00	5.00	0.80
SA115-100-11P	115.00	100.00	11.00	100.00	5.00	0.80
SA115-100-11.5P	115.00	100.00	11.60	100.00	4.00	0.80
SA115-100-11.8P	115.00	100.00	11.80	100.00	4.00	0.80
SA115-100-12P	115.00	100.00	12.00	100.00	5.00	0.80
SA115-100-15.5P	115.00	100.00	15.60	100.00	4.00	0.80
SA115-103-12P	115.00	103.00	12.00	103.00	7.00	0.30
SA115-105-10.5P	115.00	105.00	10.60	105.00	2.50	0.40
SA115-107-7.5P	115.00	107.00	7.50	107.00	7.00	0.30
SA116-104-12.5P	116.00	104.00	12.60	104.00	3.00	0.40
SA116-106-8P	116.00	106.00	8.00	106.00	7.00	0.30
SA117-97-19.5P	117.00	97.00	19.60	97.00	5.00	0.80
SA117-105-12P	117.00	105.00	12.00	105.00	7.00	0.30
SA118-106-12P	118.00	106.00	12.00	106.00	3.00	0.20
SA120-70-37.5P	120.00	70.00	37.60	70.00	7.50	1.60
SA120-90-15P	120.00	90.00	15.10	90.00	7.50	1.60
SA120-100-9.5P	120.00	100.00	9.60	100.00	5.00	0.80
SA120-100-11.5P	120.00	100.00	11.50	100.00	7.00	0.40
SA120-100-12.5P	120.00	100.00	12.50	100.00	6.50	0.40
SA120-100-13.5P	120.00	100.00	13.60	100.00	5.00	0.80
SA120-100-14P	120.00	100.00	14.00	100.00	5.00	0.80
SA120-100-14.5P	120.00	100.00	14.60	100.00	5.00	0.80
SA120-104-11.5P	120.00	104.00	11.50	104.00	4.00	0.80
SA120-105-11.5P	120.00	105.00	11.60	105.00	4.00	0.80
SA120-105.5-14P	120.00	105.50	14.00	105.50	5.00	0.80
SA120-110-10.5P	120.00	110.00	10.50	110.00	6.50	0.80
SA120.2-105-12.5P	120.20	105.00	12.60	105.00	4.00	0.80
SA122-80-29.5P	122.00	80.00	29.60	80.00	7.50	1.60
SA124-100-21.8P	124.00	100.00	21.83	100.00	6.50	1.20
SA124-110-9P	124.00	110.00	9.00	110.00	5.00	0.80
SA125-100-14P	125.00	100.00	14.00	100.00	6.50	0.80
SA125-100-18.5P	125.00	100.00	18.60	100.00	6.50	1.20
SA125-105-9P	125.00	105.00	9.10	105.00	5.00	0.80
SA125-105-10.5P	125.00	105.00	10.60	105.00	5.00	0.80
SA125-105-12P	125.00	105.00	12.00	105.00	5.00	0.80

Fluid Power

The Hydraulic Seal Specialists

SA-P

Metric **S**ingle **A**cting Rod or Piston Seal **P**lain

Part Number	*ØD1	*Ød1	*L1	*ØG	min	max
					C	R ₁
SA125-110-10.5P	125.00	110.00	10.60	110.00	6.00	0.40
SA125-110-11P	125.00	110.00	11.00	110.00	6.00	0.40
SA125-110-11.5P	125.00	110.00	11.60	110.00	4.00	0.80
SA125-110-11.8P	125.00	110.00	11.80	110.00	6.00	0.40
SA125-110-12P	125.00	110.00	12.00	110.00	6.00	0.40
SA125-115-7.5P	125.00	115.00	7.50	115.00	6.00	0.40
SA127-112-9P	127.00	112.00	9.00	112.00	6.00	0.40
SA128-120-8P	128.00	120.00	8.00	120.00	6.00	0.40
SA130-104-18.5P	130.00	104.00	18.60	104.00	6.50	1.20
SA130-104-19P	130.00	104.00	19.00	104.00	7.00	0.40
SA130-105-18.5P	130.00	105.00	18.60	105.00	6.50	1.20
SA130-110-11.5P	130.00	110.00	11.60	110.00	5.00	0.80
SA130-110-12P	130.00	110.00	12.00	110.00	6.50	0.80
SA130-110-13.5P	130.00	110.00	13.60	110.00	5.00	0.80
SA130-115-9P	130.00	115.00	9.00	115.00	6.50	0.80
SA130-115-11.5P	130.00	115.00	11.60	115.00	5.00	0.40
SA130-118-11.5P	130.00	118.00	11.60	118.00	3.00	0.80
SA130-118-12P	130.00	118.00	12.00	118.00	7.00	0.30
SA130-120-7.5P	130.00	120.00	7.50	120.00	7.00	0.30
SA132.7-120-9.5P	132.70	120.00	9.50	120.00	7.00	0.30
SA133-121-7.5P	133.00	121.00	7.50	121.00	7.00	0.30
SA133-123-7.5P	133.00	123.00	7.50	123.00	6.00	0.40
SA134-118-14.5P	134.00	118.00	14.60	118.00	4.00	0.80
SA134-126-7.5P	134.00	126.00	7.50	126.00	7.00	0.30
SA135-110-15P	135.00	110.00	15.00	110.00	6.50	0.80
SA135-110-18.5P	135.00	110.00	18.60	110.00	6.50	1.20
SA135-110-25P	135.00	110.00	25.00	110.00	6.50	1.20
SA135-115-13.5P	135.00	115.00	13.60	115.00	6.50	0.80
SA135-115-14P	135.00	115.00	14.00	115.00	6.50	0.80
SA135-115-15.5P	135.00	115.00	15.50	115.00	7.00	0.40
SA135-120.5-14P	135.00	120.50	14.00	120.50	6.50	0.80
SA135-125-8P	135.00	125.00	8.00	125.00	7.00	0.30
SA136-116-11.5P	136.00	116.00	11.60	116.00	5.00	0.80
SA136-124-13.5P	136.00	124.00	13.60	124.00	5.00	0.80
SA136-126-8P	136.00	126.00	8.00	126.00	7.00	0.40
SA138-118-15.5P	138.00	118.00	15.50	118.00	6.50	0.80
SA140-110-16P	140.00	110.00	16.00	110.00	7.00	0.40
SA140-115-18.5P	140.00	115.00	18.60	115.00	6.50	1.20
SA140-120-11.5P	140.00	120.00	11.60	120.00	5.00	0.80
SA140-120-12P	140.00	120.00	12.00	120.00	6.50	0.80

* Nominal Dimensions

Fluid Power

The Hydraulic Seal Specialists



SA-P

Metric **S**ingle **A**cting Rod or Piston Seal **P**lain

Part Number	*ØD1	*Ød1	*L1	*ØG	min	max
					C	R ₁
SA140-120-12.5P	140.00	120.00	12.50	120.00	6.50	0.80
SA140-120-14P	140.00	120.00	14.00	120.00	5.00	0.80
SA140-120-16.5P	140.00	120.00	16.60	120.00	5.00	0.40
SA140-120-18.5P	140.00	120.00	18.60	120.00	5.00	0.80
SA140-125-11P	140.00	125.00	11.00	125.00	6.00	0.40
SA140-125-11.5P	140.00	125.00	11.60	125.00	5.00	0.40
SA140-125-11.8P	140.00	125.00	11.80	125.00	6.00	0.40
SA140-128-10.5P	140.00	128.00	10.60	128.00	3.00	0.20
SA140-128-12.5P	140.00	128.00	12.60	128.00	3.00	0.20
SA140-130-7.5P	140.00	130.00	7.50	130.00	7.00	0.30
SA144-131-13P	144.00	131.00	13.00	131.00	7.00	0.30
SA145-120-18.5P	145.00	120.00	18.60	120.00	6.50	1.20
SA145-125-13.5P	145.00	125.00	13.60	125.00	5.00	0.80
SA145-125-18.5P	145.00	125.00	18.60	125.00	5.00	0.80
SA145-127-11P	145.00	127.00	11.00	127.00	7.00	0.40
SA145-130-10.8P	145.00	130.00	10.80	130.00	5.00	0.40
SA145-130-14.5P	145.00	130.00	14.50	130.00	6.00	0.80
SA146-134-12.5P	146.00	134.00	12.60	134.00	3.00	0.40
SA150-120-23.5P	150.00	120.00	23.60	120.00	7.50	1.60
SA150-125-14P	150.00	125.00	14.00	125.00	6.50	0.80
SA150-125-18.5P	150.00	125.00	18.60	125.00	6.50	1.20
SA150-130-11P	150.00	130.00	11.00	130.00	5.00	0.80
SA150-132-11.5P	150.00	132.00	11.60	132.00	5.00	0.80
SA150-135-12.5P	150.00	135.00	12.60	135.00	4.00	0.80
SA152-140-12.5P	152.00	140.00	12.60	140.00	3.00	0.40
SA155-130-18.5P	155.00	130.00	18.60	140.00	6.50	1.20
SA155-140-12.5P	155.00	140.00	12.50	140.00	7.00	0.30
SA157.7-145-9P	157.70	145.00	9.00	145.00	6.00	0.40
SA157.7-145-9.5P	157.70	145.00	9.50	145.00	7.00	0.30
SA157-135-14.5P	157.00	135.00	14.60	135.00	5.00	0.80
SA158-146-7.5P	158.00	146.00	7.50	146.00	7.00	0.30
SA160-135-18.5P	160.00	135.00	18.60	135.00	6.50	1.20
SA160-140-11P	160.00	140.00	11.10	140.00	5.00	0.80
SA160-140-11.5P	160.00	140.00	11.60	140.00	5.00	0.80
SA160-140-12P	160.00	140.00	12.00	140.00	6.50	0.80
SA160-140-13.5P	160.00	140.00	13.60	140.00	5.00	0.80
SA160-140-14P	160.00	140.00	14.00	140.00	5.00	0.80
SA160-140-15.5P	160.00	140.00	15.60	140.00	5.00	0.80
SA164-152-12.5P	164.00	152.00	12.60	152.00	3.00	0.80
SA165-140-18.5P	165.00	140.00	18.60	140.00	6.50	1.20

Fluid Power

The Hydraulic Seal Specialists

SA-P

Metric **S**ingle **A**cting Rod or Piston Seal **P**lain

Part Number	*ØD1	*Ød1	*L1	*ØG	min	max
					C	R ₁
SA165-145-11P	165.00	145.00	11.00	145.00	5.00	0.80
SA168-153-12P	168.00	153.00	12.10	153.00	4.00	0.80
SA170-140-22.5P	170.00	140.00	22.50	140.00	6.50	0.80
SA170-145-18.5P	170.00	145.00	18.60	145.00	6.50	1.20
SA170-150-10P	170.00	150.00	10.00	150.00	5.00	0.80
SA170-150-13.5P	170.00	150.00	13.60	150.00	6.00	0.80
SA170-150-14P	170.00	150.00	14.00	150.00	6.00	0.80
SA170-150-15.5P	170.00	150.00	15.60	150.00	5.00	0.80
SA170-155-9P	170.00	155.00	9.00	155.00	7.00	0.30
SA174-160-11P	174.00	160.00	11.00	160.00	7.00	0.30
SA175-149.5-17.8P	175.00	149.50	17.85	149.50	6.50	1.20
SA175-150-18.5P	175.00	150.00	18.60	150.00	6.50	1.20
SA178-163-12.5P	178.00	163.00	12.50	163.00	7.00	0.30
SA180-150-23.5P	180.00	150.00	23.60	150.00	7.50	1.60
SA180-160-11.5P	180.00	160.00	11.60	160.00	5.00	0.80
SA180-160-14.5P	180.00	160.00	14.60	160.00	5.00	0.80
SA180-160-15.5P	180.00	160.00	15.60	160.00	5.00	0.80
SA182.7-170-9.5P	182.70	170.00	9.50	170.00	7.00	0.30
SA183-171-7.5P	183.00	171.00	7.50	171.00	7.00	0.30
SA185-165-11.5P	185.00	165.00	11.60	165.00	5.00	0.80
SA185-165-16.5P	185.00	165.00	16.60	165.00	5.00	0.80
SA190-160-22.5P	190.00	160.00	22.60	160.00	7.50	1.60
SA190-160-23.5P	190.00	160.00	23.60	160.00	7.50	1.60
SA190-170-11.5P	190.00	170.00	11.60	170.00	5.00	0.80
SA190-170-14.5P	190.00	170.00	14.60	170.00	5.00	0.80
SA190-170-15P	190.00	170.00	15.00	170.00	6.50	0.80
SA191-150-33.5P	191.00	150.00	33.50	150.00	7.50	1.60
SA195-165-21.5P	195.00	165.00	21.60	165.00	7.50	1.60
SA195-180-12P	195.00	180.00	12.00	180.00	7.00	0.30
SA200-150-39.5P	200.00	150.00	39.60	150.00	7.50	1.60
SA200-160-34.5P	200.00	160.00	34.60	160.00	7.50	1.60
SA200-170-23.5P	200.00	170.00	23.60	170.00	7.50	1.60
SA200-175-14P	200.00	175.00	14.00	175.00	7.00	0.40
SA200-175-18.5P	200.00	175.00	18.60	175.00	6.50	1.20
SA200-180-11P	200.00	180.00	11.10	180.00	5.00	0.80
SA200-180-14.5P	200.00	180.00	14.60	180.00	5.00	0.80
SA200-180-15.5P	200.00	180.00	15.60	180.00	5.00	0.80
SA202-187-11P	202.00	187.00	11.00	187.00	10.00	0.30
SA203-188-12.5P	203.00	188.00	12.50	188.00	7.00	0.30
SA209-197-7.5P	209.00	197.00	7.50	197.00	7.00	0.30

* Nominal Dimensions

Fluid Power

The Hydraulic Seal Specialists



SA-P

Metric **S**ingle **A**cting Rod or Piston Seal **P**lain

Part Number	*ØD1	*Ød1	*L1	*ØG	min	max
					C	R ₁
SA210-170-34.5P	210.00	170.00	34.60	170.00	7.50	1.60
SA210-180-23.5P	210.00	180.00	23.60	180.00	7.50	1.60
SA215-185-19.5P	215.00	185.00	19.60	185.00	7.50	1.60
SA220-190-23.5P	220.00	190.00	23.60	190.00	6.50	1.60
SA220-195-20.5P	220.00	195.00	20.60	195.00	6.25	0.80
SA220-200-14.5P	220.00	200.00	14.60	200.00	5.00	0.80
SA220-200-15.5P	220.00	200.00	15.60	200.00	5.00	0.80
SA229-214-12.5P	229.00	214.00	12.50	214.00	10.00	0.30
SA230-200-23.5P	230.00	200.00	23.60	200.00	7.50	1.60
SA235-210-19.5P	235.00	210.00	19.60	210.00	6.25	0.80
SA235-223-7.5P	235.00	223.00	7.50	223.00	10.00	0.30
SA236.7-224-9P	236.70	224.00	9.00	224.00	10.00	0.30
SA240-210-23.5P	240.00	210.00	23.60	210.00	7.50	1.60
SA250-220-21.5P	250.00	220.00	21.60	220.00	7.50	1.60
SA250-220-23.5P	250.00	220.00	23.60	220.00	7.50	1.60
SA250-225-17.5P	250.00	225.00	17.60	225.00	6.50	1.20
SA250-225-20.5P	250.00	225.00	20.60	225.00	6.25	0.80
SA255-240-12.5P	255.00	240.00	12.50	240.00	10.00	0.30
SA258-238-15P	258.00	238.00	15.00	238.00	10.00	0.40
SA260-230-23.5P	260.00	230.00	23.60	230.00	7.50	1.60
SA260-240-16.5P	260.00	240.00	16.60	240.00	7.50	1.60
SA261-249-7.5P	261.00	249.00	7.50	249.00	10.00	0.30
SA270-240-23.5P	270.00	240.00	23.60	240.00	7.50	1.60
SA275-245-25.5P	275.00	245.00	25.60	245.00	7.50	0.80
SA280-230-44.5P	280.00	230.00	44.60	230.00	7.50	1.60
SA280-250-23.5P	280.00	250.00	23.60	250.00	7.50	1.60
SA280-250-30.5P	280.00	250.00	30.60	250.00	7.50	1.60
SA290-250-25P	290.00	250.00	24.90	250.00	7.50	1.60
SA290-260-23.5P	290.00	260.00	23.60	260.00	7.50	1.60
SA290-260-25.5P	290.00	260.00	25.60	260.00	7.50	1.60
SA295-265-24.5P	295.00	265.00	24.60	265.00	7.50	1.60
SA300-270-23.5P	300.00	270.00	23.60	270.00	7.50	1.60
SA310-280-23.5P	310.00	280.00	23.60	280.00	7.50	1.60
SA310-290-14.5P	310.00	290.00	14.60	290.00	5.00	0.80
SA320-280-22P	320.00	280.00	22.00	280.00	10.00	0.40
SA320-280-29.5P	320.00	280.00	29.60	280.00	7.50	1.60
SA320-290-21.5P	320.00	290.00	21.60	290.00	7.50	1.60
SA320-290-23.5P	320.00	290.00	23.60	290.00	7.50	1.60
SA330-300-23.5P	330.00	300.00	23.60	300.00	7.50	1.60
SA330-300-25.5P	330.00	300.00	25.60	300.00	7.50	1.60

Fluid Power

The Hydraulic Seal Specialists

SA-P

Metric **S**ingle **A**cting Rod or Piston Seal **P**lain

Part Number	*ØD1	*Ød1	*L1	*ØG	min	max
					C	R ₁
SA330-310-16.5P	330.00	310.00	16.60	310.00	5.00	0.80
SA335-318-12.5P	335.00	318.00	12.50	318.00	10.00	0.40
SA340-310-25.5P	340.00	310.00	25.60	310.00	7.50	1.60
SA360-320-25P	360.00	320.00	25.00	320.00	10.00	0.40
SA360-320-29.5P	360.00	320.00	29.60	320.00	7.50	1.60
SA360-340-14.5P	360.00	340.00	14.60	340.00	5.00	0.80
SA370-340-24.5P	370.00	340.00	24.60	340.00	7.50	1.60
SA380-340-25P	380.00	340.00	25.00	340.00	10.00	0.80
SA380-340-29.5P	380.00	340.00	29.60	340.00	10.00	0.80
SA385-350-25P	385.00	350.00	25.00	350.00	10.00	0.40
SA400-360-29.5P	400.00	360.00	29.60	360.00	7.50	1.60
SA410-377-27.5P	410.00	377.00	27.60	377.00	7.50	1.60
SA415-375-25P	415.00	375.00	25.00	375.00	10.00	0.40
SA420-380-29.5P	420.00	380.00	29.60	380.00	7.50	1.60
SA440-400-29.5P	440.00	400.00	29.60	400.00	7.50	1.60
SA457-407-37.5P	457.00	407.00	37.60	407.00	7.50	1.60
SA460-430-22.5P	460.00	430.00	22.60	430.00	7.50	1.60
SA480-440-29.5P	480.00	440.00	29.60	440.00	7.50	1.60
SA485-425-44.5P	485.00	425.00	44.60	425.00	7.50	1.60
SA495-444-47.5P	495.00	444.00	47.60	444.00	7.50	1.60
SA500-460-29.5P	500.00	460.00	29.60	460.00	7.50	1.60
SA515-470-34.5P	515.00	470.00	34.60	470.00	7.50	1.60
SA530-500-24.5P	530.00	500.00	24.60	500.00	7.50	1.60
SA540-500-29.5P	540.00	500.00	29.60	500.00	7.50	1.60
SA545-505-33.5P	545.00	505.00	33.60	505.00	7.50	1.60
SA600-560-29.5P	600.00	560.00	29.60	560.00	7.50	1.60
SA650-580-52.5P	650.00	580.00	52.60	580.00	7.50	1.60
SA700-620-67.5P	700.00	620.00	67.60	620.00	7.50	1.60
SA720-640-67.5P	720.00	640.00	67.60	640.00	7.50	1.60
SA820-780-29.5P	820.00	780.00	29.60	780.00	7.50	1.60

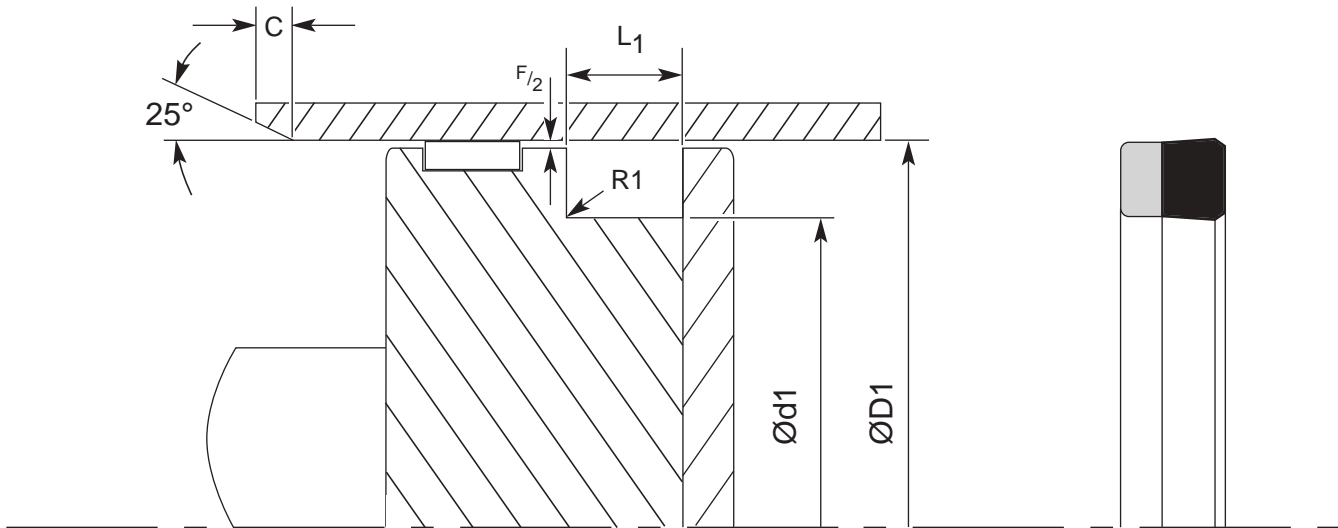
* Nominal Dimensions

Fluid Power

The Hydraulic Seal Specialists



SA-P

Imperial **S**ingle **A**cting Rod or Piston Seal **P**lain

Maximum Diametrical Clearance F

Pressure	Bar	100	200	300	400
Maximum Gap	Inch	0.017	0.011	0.006	0.004

Tolerances

ØD1	Ød1	L1
H10	Js11	+0.015"/+0.025"

Operating Conditions

Max Speed	Temp Range
m/s	-30° to 100°C
0.50	250 Bar
0.15	400 Bar

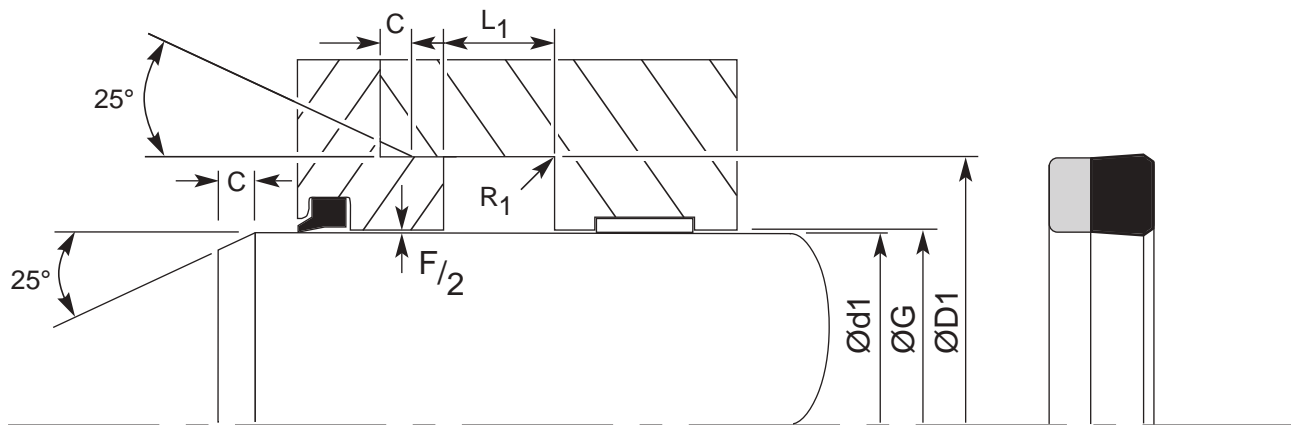
SA-P is a symmetrical seal designed for use as a single acting rod seal or piston seal. The seal consists of a precision moulded Nitrile rubber sealing element with a fabric reinforced base to help prevent extrusion. Designed with initial radial interference to effect low pressure sealing, at higher pressures the seal is energised thus increasing the sealing force. The rubberised fabric also retains some of the sealing media which helps reduce friction and wear.

Fluid Power

The Hydraulic Seal Specialists

SA-P

Imperial **S**ingle **A**cting Rod or Piston Seal **P**lain



Maximum Diametrical Clearance F

Pressure	Bar	100	200	300	400
Maximum Gap	Inch	0.017	0.011	0.006	0.004

Tolerances

ØD1	Ød1	ØG	L1
Js11	f8	H9	+0.015"/ +0.025"

Operating Conditions

Max Speed	Temp Range
m/s	-30° to 100°C
0.50	250 Bar
0.15	400 Bar

SA-P is a symmetrical seal designed for use as a single acting rod seal or piston seal. The seal consists of a precision moulded Nitrile rubber sealing element with a fabric reinforced base to help prevent extrusion. Designed with initial radial interference to effect low pressure sealing, at higher pressures the seal is energised thus increasing the sealing force. The rubberised fabric also retains some of the sealing media which helps reduce friction and wear.

Fluid Power

The Hydraulic Seal Specialists



SA-P

Imperial **S**ingle **A**cting Rod or Piston Seal **P**lain

Part Number	*ØD1	*Ød1	*L1	*ØG	min	max
					C	R ₁
SA043018-017P	0.437	0.187	0.172	0.187	0.093	0.008
SA047018-021P	0.468	0.187	0.205	0.187	0.093	0.008
SA050018-024P	0.500	0.187	0.235	0.187	0.093	0.008
SA050018-025P	0.500	0.187	0.250	0.187	0.015	0.010
SA050025-018P	0.500	0.250	0.187	0.250	0.156	0.010
SA056025-024P	0.562	0.250	0.235	0.250	0.093	0.008
SA056025-025P	0.562	0.250	0.250	0.250	0.093	0.010
SA062031-024P	0.625	0.312	0.235	0.312	0.093	0.008
SA062031-025P	0.625	0.312	0.250	0.312	0.093	0.010
SA062037-018P	0.625	0.375	0.187	0.375	0.093	0.010
SA062043-008P	0.625	0.437	0.081	0.437	0.093	0.008
SA068050-008P	0.687	0.500	0.081	0.500	0.093	0.008
SA073037-036P	0.735	0.375	0.360	0.375	0.093	0.008
SA075025-025P	0.750	0.250	0.250	0.250	0.156	0.015
SA075037-018P	0.750	0.375	0.187	0.375	0.156	0.010
SA075037-027P	0.750	0.375	0.266	0.375	0.093	0.008
SA075037-028P	0.750	0.375	0.281	0.375	0.093	0.010
SA075037-036P	0.750	0.375	0.360	0.375	0.093	0.008
SA075037-037P	0.750	0.375	0.375	0.375	0.156	0.008
SA075050-017P	0.750	0.500	0.172	0.500	0.093	0.010
SA075050-018P	0.750	0.500	0.187	0.500	0.093	0.010
SA075056-008P	0.750	0.562	0.081	0.562	0.093	0.008
SA075056-017P	0.750	0.562	0.172	0.562	0.093	0.008
SA081043-020P	0.812	0.437	0.203	0.437	0.093	0.008
SA081043-024P	0.812	0.437	0.235	0.437	0.093	0.008
SA081043-027P	0.812	0.437	0.266	0.437	0.093	0.010
SA081043-028P	0.812	0.437	0.281	0.437	0.093	0.010
SA081050-020P	0.812	0.500	0.203	0.500	0.093	0.008
SA081050-021P	0.812	0.500	0.219	0.500	0.156	0.010
SA081050-025P	0.812	0.500	0.250	0.500	0.093	0.012
SA081056-017P	0.812	0.562	0.172	0.562	0.156	0.010
SA081056-018P	0.812	0.562	0.187	0.562	0.156	0.010
SA081062-008P	0.812	0.625	0.081	0.625	0.093	0.008
SA087031-033P	0.875	0.312	0.328	0.312	0.125	0.016
SA087037-030P	0.875	0.375	0.297	0.375	0.125	0.016
SA087047-027P	0.875	0.468	0.265	0.468	0.093	0.008
SA087050-027P	0.875	0.500	0.266	0.500	0.093	0.008
SA087050-028P	0.875	0.500	0.281	0.500	0.093	0.010
SA087062-017P	0.875	0.625	0.172	0.625	0.093	0.010
SA087062-018P	0.875	0.625	0.187	0.625	0.093	0.010

Fluid Power

The Hydraulic Seal Specialists

SA-P

Imperial **S**ingle **A**cting Rod or Piston Seal **P**lain

Part Number	*ØD1	*Ød1	*L1	*ØG	min	max
					C	R ₁
SA093037-039P	0.937	0.375	0.391	0.375	0.125	0.016
SA093043-036P	0.937	0.437	0.360	0.437	0.125	0.016
SA093050-033P	0.937	0.500	0.328	0.500	0.093	0.008
SA093055-027P	0.937	0.550	0.265	0.550	0.093	0.008
SA093056-027P	0.937	0.562	0.266	0.562	0.093	0.010
SA093056-028P	0.937	0.562	0.281	0.562	0.093	0.010
SA093068-011P	0.937	0.687	0.106	0.687	0.093	0.008
SA093068-017P	0.937	0.687	0.172	0.687	0.093	0.008
SA097047-058P	0.968	0.468	0.578	0.468	0.125	0.016
SA100037-036P	1.000	0.375	0.360	0.375	0.156	0.016
SA100050-025P	1.000	0.500	0.250	0.500	0.125	0.016
SA100050-036P	1.000	0.500	0.360	0.500	0.125	0.016
SA100050-037P	1.000	0.500	0.375	0.500	0.156	0.015
SA100056-028P	1.000	0.562	0.281	0.562	0.156	0.010
SA100061-027P	1.000	0.611	0.265	0.611	0.093	0.010
SA100062-027P	1.000	0.625	0.266	0.625	0.093	0.008
SA100062-028P	1.000	0.625	0.281	0.625	0.093	0.010
SA100075-011P	1.000	0.750	0.106	0.750	0.093	0.008
SA100075-012P	1.000	0.750	0.117	0.750	0.093	0.008
SA100075-018P	1.000	0.750	0.187	0.750	0.093	0.010
SA106050-036P	1.062	0.500	0.360	0.500	0.125	0.016
SA106056-036P	1.062	0.562	0.360	0.562	0.125	0.016
SA106081-011P	1.060	0.812	0.106	0.812	0.093	0.008
SA109075-027P	1.093	0.750	0.266	0.750	0.093	0.008
SA109075-028P	1.093	0.750	0.281	0.750	0.093	0.010
SA112050-034P	1.125	0.500	0.340	0.500	0.125	0.016
SA112050-055P	1.125	0.500	0.547	0.500	0.125	0.016
SA112062-031P	1.125	0.625	0.312	0.625	0.156	0.016
SA112062-033P	1.125	0.625	0.328	0.625	0.125	0.016
SA112062-034P	1.125	0.625	0.343	0.625	0.156	0.015
SA112062-036P	1.125	0.625	0.360	0.625	0.125	0.016
SA112062-037P	1.125	0.625	0.375	0.625	0.125	0.015
SA112068-036P	1.125	0.687	0.360	0.687	0.093	0.008
SA112075-037P	1.125	0.750	0.312	0.750	0.093	0.010
SA112081-020P	1.125	0.812	0.203	0.812	0.093	0.008
SA112087-011P	1.125	0.875	0.106	0.875	0.093	0.008
SA112087-014P	1.125	0.875	0.148	0.875	0.093	0.008
SA112087-015P	1.125	0.875	0.156	0.875	0.156	0.010
SA115078-030P	1.156	0.781	0.297	0.781	0.093	0.008
SA115078-033P	1.156	0.781	0.328	0.781	0.156	0.008

* Nominal Dimensions

Fluid **Power**

The Hydraulic Seal Specialists

**SA-P**Imperial **S**ingle **A**cting Rod or Piston Seal **P**lain

Part Number	*ØD1	*Ød1	*L1	*ØG	min	max
					C	R ₁
SA118068-036P	1.187	0.687	0.360	0.687	0.125	0.016
SA118068-037P	1.187	0.687	0.375	0.687	0.125	0.015
SA125062-036P	1.250	0.625	0.360	0.625	0.125	0.016
SA125073-037P	1.250	0.736	0.365	0.736	0.125	0.016
SA125075-025P	1.250	0.750	0.250	0.750	0.125	0.016
SA125075-030P	1.250	0.750	0.297	0.750	0.125	0.016
SA125075-031P	1.250	0.750	0.312	0.750	0.125	0.015
SA125075-036P	1.250	0.750	0.360	0.750	0.125	0.016
SA125075-037P	1.250	0.750	0.375	0.750	0.125	0.015
SA125075-061P	1.250	0.750	0.610	0.750	0.125	0.016
SA125087-034P	1.250	0.875	0.343	0.875	0.156	0.015
SA125087-037P	1.250	0.875	0.375	0.875	0.093	0.010
SA125093-017P	1.250	0.937	0.172	0.937	0.093	0.008
SA125100-011P	1.250	1.000	0.106	1.000	0.093	0.008
SA125100-012P	1.250	1.000	0.121	1.000	0.093	0.010
SA125100-017P	1.250	1.000	0.172	1.000	0.093	0.010
SA125100-018P	1.250	1.000	0.187	1.000	0.093	0.010
SA125100-025P	1.250	1.000	0.250	1.000	0.156	0.010
SA131081-036P	1.312	0.812	0.360	0.812	0.125	0.016
SA131081-037P	1.312	0.812	0.375	0.812	0.250	0.015
SA137062-049P	1.375	0.625	0.485	0.625	0.187	0.032
SA137068-049P	1.375	0.687	0.485	0.687	0.156	0.016
SA137075-036P	1.375	0.750	0.360	0.750	0.125	0.016
SA137081-049P	1.375	0.812	0.485	0.812	0.125	0.016
SA137086-037P	1.375	0.859	0.375	0.860	0.125	0.016
SA137087-024P	1.375	0.875	0.235	0.875	0.125	0.016
SA137087-025P	1.375	0.875	0.250	0.875	0.125	0.015
SA137087-036P	1.375	0.875	0.360	0.875	0.125	0.016
SA137087-037P	1.375	0.875	0.375	0.875	0.125	0.015
SA137100-024P	1.375	1.000	0.235	1.000	0.093	0.008
SA137100-025P	1.375	1.000	0.250	1.000	0.093	0.010
SA137100-034P	1.375	1.000	0.343	1.000	0.156	0.010
SA137106-013P	1.375	1.062	0.133	1.062	0.093	0.008
SA137106-024P	1.375	1.062	0.235	1.062	0.093	0.008
SA137112-017P	1.375	1.125	0.172	1.125	0.093	0.008
SA137112-018P	1.375	1.125	0.187	1.125	0.093	0.010
SA143068-055P	1.437	0.687	0.547	0.687	0.156	0.016
SA143087-036P	1.437	0.875	0.360	0.875	0.125	0.016
SA143093-030P	1.437	0.937	0.297	0.937	0.125	0.015
SA143093-036P	1.437	0.937	0.360	0.937	0.125	0.016

Fluid Power

The Hydraulic Seal Specialists

SA-P

Imperial **S**ingle **A**cting Rod or Piston Seal **P**lain

Part Number	*ØD1	*Ød1	*L1	*ØG	min	max
					C	R ₁
SA143093-037P	1.437	0.937	0.375	0.937	0.125	0.015
SA143106-031P	1.437	1.062	0.312	1.062	0.080	0.016
SA143109-017P	1.437	1.094	0.172	1.094	0.093	0.008
SA143112-013P	1.437	1.125	0.133	1.125	0.093	0.008
SA143112-037P	1.437	1.125	0.375	1.125	0.156	0.008
SA150075-049P	1.500	0.750	0.485	0.750	0.187	0.032
SA150087-036P	1.500	0.875	0.360	0.875	0.156	0.016
SA150087-037P	1.500	0.875	0.375	0.875	0.156	0.015
SA150087-042P	1.500	0.875	0.422	0.875	0.156	0.015
SA150098-037P	1.500	0.980	0.365	0.980	0.125	0.016
SA150098-038P	1.500	0.980	0.380	0.980	0.125	0.015
SA150100-024P	1.500	1.000	0.235	1.000	0.125	0.016
SA150100-025P	1.500	1.000	0.250	1.000	0.125	0.015
SA150100-036P	1.500	1.000	0.360	1.000	0.125	0.016
SA150100-037P	1.500	1.000	0.375	1.000	0.125	0.015
SA150112-020P	1.500	1.125	0.204	1.125	0.093	0.008
SA150112-021P	1.500	1.125	0.218	1.125	0.156	0.010
SA150125-018P	1.500	1.250	0.187	1.250	0.093	0.010
SA150125-024P	1.500	1.250	0.235	1.250	0.093	0.008
SA150125-025P	1.500	1.250	0.250	1.250	0.093	0.008
SA156111-028P	1.562	1.110	0.275	1.110	0.093	0.008
SA156112-034P	1.562	1.125	0.343	1.125	0.125	0.015
SA156125-013P	1.562	1.250	0.133	1.250	0.156	0.010
SA156125-014P	1.562	1.250	0.148	1.250	0.156	0.010
SA162075-036P	1.625	0.750	0.360	0.750	0.187	0.032
SA162081-061P	1.625	0.812	0.610	0.812	0.187	0.032
SA162087-061P	1.625	0.875	0.610	0.875	0.187	0.032
SA162100-042P	1.625	1.000	0.422	1.000	0.156	0.016
SA162100-043P	1.625	1.000	0.437	1.000	0.156	0.015
SA162106-039P	1.625	1.062	0.391	1.000	0.125	0.016
SA162112-036P	1.625	1.125	0.360	1.125	0.125	0.016
SA162112-037P	1.625	1.125	0.375	1.125	0.125	0.015
SA162125-025P	1.625	1.250	0.250	1.250	0.093	0.010
SA162125-027P	1.625	1.250	0.266	1.250	0.093	0.008
SA162125-028P	1.625	1.250	0.282	1.250	0.093	0.010
SA162125-049P	1.625	1.250	0.485	1.250	0.093	0.010
SA162125-050P	1.625	1.250	0.500	1.250	0.093	0.010
SA162130-023P	1.627	1.302	0.225	1.302	0.093	0.008
SA162130-024P	1.627	1.302	0.240	1.302	0.093	0.010
SA162131-013P	1.625	1.312	0.133	1.312	0.093	0.008

* Nominal Dimensions

Fluid Power

The Hydraulic Seal Specialists



SA-P

Imperial **S**ingle **A**cting Rod or Piston Seal **P**lain

Part Number	*ØD1	*Ød1	*L1	*ØG	min	max
					C	R ₁
SA165128-036P	1.656	1.281	0.360	1.281	0.093	0.008
SA165128-037P	1.656	1.281	0.375	1.281	0.156	0.010
SA168118-036P	1.687	1.187	0.360	1.187	0.125	0.016
SA168118-037P	1.687	1.187	0.375	1.187	0.125	0.015
SA168125-037P	1.687	1.250	0.375	1.250	0.125	0.016
SA168137-014P	1.687	1.375	0.148	1.375	0.156	0.010
SA168137-029P	1.687	1.375	0.295	1.375	0.156	0.010
SA175068-074P	1.750	0.687	0.735	0.687	0.217	0.032
SA175075-061P	1.750	0.750	0.610	0.750	0.217	0.032
SA175087-074P	1.750	0.875	0.735	0.875	0.187	0.032
SA175100-036P	1.750	1.000	0.360	1.250	0.187	0.032
SA175100-037P	1.750	1.000	0.375	1.250	0.187	0.032
SA175100-061P	1.750	1.000	0.610	1.250	0.187	0.032
SA175100-064P	1.750	1.000	0.641	1.250	0.187	0.032
SA175112-042P	1.750	1.125	0.422	1.125	0.156	0.016
SA175112-043P	1.750	1.125	0.437	1.125	0.156	0.015
SA175123-033P	1.750	1.235	0.325	1.230	0.125	0.016
SA175123-034P	1.750	1.235	0.340	1.230	0.125	0.015
SA175125-025P	1.750	1.250	0.250	1.250	0.125	0.015
SA175125-027P	1.750	1.250	0.265	1.250	0.125	0.016
SA175125-028P	1.750	1.250	0.281	1.250	0.125	0.015
SA175125-036P	1.750	1.250	0.360	1.250	0.125	0.016
SA175125-037P	1.750	1.250	0.375	1.250	0.125	0.015
SA175137-027P	1.750	1.375	0.266	1.375	0.093	0.008
SA175137-028P	1.750	1.375	0.281	1.375	0.093	0.010
SA175150-018P	1.750	1.500	0.187	1.500	0.156	0.010
SA178115-042P	1.781	1.156	0.422	1.156	0.156	0.016
SA181143-016P	1.812	1.437	0.157	1.437	0.093	0.008
SA182150-015P	1.820	1.500	0.145	1.500	0.093	0.008
SA187087-074P	1.875	0.875	0.735	0.875	0.217	0.032
SA187106-061P	1.875	1.062	0.610	1.062	0.187	0.032
SA187112-045P	1.875	1.125	0.453	1.125	0.187	0.032
SA187125-030P	1.875	1.250	0.297	1.250	0.156	0.016
SA187125-031P	1.875	1.250	0.312	1.250	0.156	0.015
SA187125-039P	1.875	1.250	0.391	1.250	0.156	0.016
SA187125-040P	1.875	1.250	0.406	1.250	0.156	0.015
SA187125-042P	1.875	1.250	0.422	1.250	0.156	0.016
SA187125-043P	1.875	1.250	0.437	1.250	0.156	0.015
SA187125-050P	1.875	1.250	0.500	1.250	0.156	0.015
SA187125-074P	1.875	1.250	0.735	1.250	0.125	0.016

Fluid Power

The Hydraulic Seal Specialists

SA-P

Imperial **S**ingle **A**cting Rod or Piston Seal **P**lain

Part Number	*ØD1	*Ød1	*L1	*ØG	min	max
					C	R ₁
SA187131-042P	1.875	1.312	0.422	1.312	0.125	0.016
SA187137-039P	1.875	1.375	0.385	1.375	0.125	0.016
SA187150-016P	1.875	1.500	0.157	1.500	0.093	0.008
SA187150-017P	1.875	1.500	0.172	1.500	0.093	0.010
SA187150-025P	1.875	1.500	0.250	1.500	0.093	0.010
SA187150-028P	1.875	1.500	0.281	1.500	0.156	0.010
SA190125-042P	1.906	1.250	0.422	1.250	0.156	0.016
SA193143-036P	1.937	1.437	0.360	1.437	0.125	0.016
SA193168-018P	1.937	1.687	0.187	1.687	0.093	0.010
SA200100-074P	2.000	1.000	0.735	1.000	0.217	0.032
SA200112-061P	2.000	1.125	0.610	1.125	0.187	0.032
SA200118-058P	2.000	1.187	0.579	1.187	0.187	0.032
SA200125-045P	2.000	1.250	0.454	1.250	0.187	0.032
SA200125-046P	2.000	1.250	0.468	1.250	0.156	0.032
SA200136-036P	2.000	1.359	0.355	1.359	0.156	0.016
SA200137-030P	2.000	1.375	0.297	1.375	0.156	0.016
SA200137-031P	2.000	1.375	0.312	1.375	0.156	0.015
SA200137-036P	2.000	1.375	0.360	1.375	0.156	0.016
SA200137-037P	2.000	1.375	0.375	1.375	0.156	0.015
SA200137-042P	2.000	1.375	0.422	1.375	0.156	0.016
SA200137-043P	2.000	1.375	0.437	1.375	0.156	0.015
SA200137-049P	2.000	1.375	0.485	1.375	0.156	0.016
SA200137-050P	2.000	1.375	0.500	1.375	0.156	0.015
SA200137-074P	2.000	1.375	0.735	1.375	0.156	0.016
SA200140-030P	2.000	1.405	0.297	1.405	0.125	0.016
SA200148-033P	2.000	1.485	0.325	1.485	0.125	0.016
SA200148-034P	2.000	1.485	0.340	1.485	0.125	0.015
SA200150-025P	2.000	1.500	0.250	1.500	0.125	0.015
SA200150-027P	2.000	1.500	0.265	1.500	0.125	0.016
SA200150-028P	2.000	1.500	0.281	1.500	0.092	0.030
SA200150-036P	2.000	1.500	0.360	1.500	0.125	0.016
SA200150-037P	2.000	1.500	0.375	1.500	0.125	0.016
SA200150-042P	2.000	1.500	0.422	1.500	0.125	0.016
SA200150-045P	2.000	1.500	0.454	1.500	0.125	0.016
SA200150-046P	2.000	1.500	0.468	1.500	0.125	0.016
SA200150-064P	2.000	1.500	0.641	1.500	0.125	0.016
SA200162-024P	2.000	1.625	0.235	1.625	0.093	0.008
SA200162-026P	2.000	1.625	0.261	1.625	0.093	0.008
SA200162-027P	2.000	1.625	0.276	1.625	0.093	0.010
SA206112-086P	2.062	1.125	0.860	1.125	0.187	0.032

* Nominal Dimensions

Fluid Power

The Hydraulic Seal Specialists



SA-P

Imperial **S**ingle **A**cting Rod or Piston Seal **P**lain

Part Number	*ØD1	*Ød1	*L1	*ØG	min	max
					C	R ₁
SA206168-030P	2.062	1.687	0.297	1.687	0.093	0.008
SA212137-036P	2.125	1.375	0.360	1.375	0.187	0.032
SA212143-052P	2.125	1.437	0.516	1.437	0.156	0.016
SA212150-030P	2.125	1.500	0.300	1.500	0.156	0.015
SA212150-031P	2.125	1.500	0.312	1.500	0.156	0.015
SA212150-042P	2.125	1.500	0.422	1.500	0.156	0.016
SA212150-043P	2.125	1.500	0.437	1.500	0.156	0.015
SA212150-045P	2.125	1.500	0.454	1.500	0.156	0.016
SA212150-046P	2.125	1.500	0.468	1.500	0.156	0.015
SA212150-067P	2.125	1.500	0.672	1.500	0.156	0.016
SA212161-037P	2.125	1.610	0.365	1.610	0.125	0.016
SA212175-016P	2.125	1.750	0.157	1.750	0.093	0.008
SA212175-017P	2.125	1.750	0.172	1.750	0.093	0.010
SA212175-026P	2.125	1.750	0.261	1.750	0.093	0.010
SA212175-028P	2.125	1.750	0.281	1.750	0.093	0.010
SA212175-030P	2.125	1.750	0.300	1.750	0.093	0.010
SA212175-037P	2.125	1.750	0.375	1.750	0.156	0.030
SA218150-042P	2.187	1.500	0.422	1.500	0.156	0.016
SA218150-043P	2.187	1.500	0.437	1.500	0.156	0.015
SA218156-079P	2.187	1.562	0.797	1.500	0.156	0.016
SA218169-032P	2.185	1.690	0.315	1.690	0.125	0.016
SA218169-033P	2.185	1.690	0.335	1.690	0.156	0.015
SA218181-016P	2.187	1.812	0.157	1.812	0.156	0.015
SA218181-030P	2.187	1.812	0.297	1.812	0.156	0.015
SA218181-031P	2.187	1.812	0.312	1.812	0.156	0.015
SA221184-037P	2.218	1.843	0.375	1.843	0.156	0.010
SA225125-061P	2.250	1.250	0.610	1.250	0.217	0.032
SA225137-074P	2.250	1.375	0.735	1.375	0.187	0.032
SA225143-042P	2.250	1.437	0.422	1.437	0.187	0.032
SA225150-046P	2.250	1.500	0.453	1.500	0.187	0.032
SA225150-047P	2.250	1.500	0.468	1.500	0.187	0.032
SA225150-055P	2.250	1.500	0.547	1.500	0.187	0.032
SA225150-061P	2.250	1.500	0.610	1.500	0.187	0.032
SA225150-086P	2.250	1.500	0.860	1.500	0.187	0.032
SA225162-030P	2.250	1.625	0.297	1.625	0.156	0.016
SA225162-031P	2.250	1.625	0.312	1.625	0.156	0.015
SA225162-042P	2.250	1.625	0.422	1.625	0.156	0.016
SA225162-043P	2.250	1.625	0.437	1.625	0.156	0.015
SA225162-074P	2.250	1.625	0.735	1.625	0.156	0.015
SA225173-033P	2.250	1.735	0.325	1.735	0.125	0.016

Fluid Power

The Hydraulic Seal Specialists

SA-P

Imperial **S**ingle **A**cting Rod or Piston Seal **P**lain

Part Number	*ØD1	*Ød1	*L1	*ØG	min	max
					C	R ₁
SA225173-034P	2.250	1.735	0.344	1.735	0.156	0.015
SA225175-030P	2.250	1.750	0.297	1.750	0.125	0.016
SA225175-031P	2.250	1.750	0.312	1.750	0.092	0.030
SA225175-036P	2.250	1.750	0.360	1.750	0.125	0.016
SA225175-037P	2.250	1.750	0.375	1.750	0.125	0.015
SA225175-042P	2.250	1.750	0.422	1.750	0.125	0.016
SA225175-043P	2.250	1.750	0.437	1.750	0.125	0.015
SA225175-046P	2.250	1.750	0.468	1.750	0.156	0.015
SA225187-027P	2.250	1.875	0.266	1.875	0.093	0.008
SA231168-045P	2.312	1.687	0.454	1.687	0.156	0.016
SA231200-025P	2.312	2.000	0.250	2.000	0.156	0.010
SA237150-067P	2.375	1.500	0.672	1.500	0.187	0.032
SA237162-061P	2.375	1.625	0.610	1.625	0.187	0.032
SA237162-062P	2.375	1.625	0.625	1.625	0.156	0.032
SA237175-042P	2.375	1.750	0.422	1.750	0.156	0.016
SA237175-043P	2.375	1.750	0.437	1.750	0.156	0.015
SA237175-061P	2.375	1.750	0.610	1.750	0.156	0.016
SA237186-037P	2.375	1.860	0.365	1.860	0.125	0.016
SA237186-038P	2.375	1.860	0.380	1.860	0.156	0.015
SA237187-036P	2.375	1.875	0.360	1.875	0.125	0.016
SA237200-016P	2.375	2.000	0.157	2.000	0.093	0.008
SA237200-017P	2.375	2.000	0.172	2.000	0.093	0.010
SA243175-042P	2.437	1.750	0.422	1.750	0.156	0.016
SA243175-043P	2.437	1.750	0.437	1.750	0.156	0.015
SA243193-036P	2.437	1.937	0.360	1.937	0.125	0.016
SA250150-074P	2.500	1.500	0.735	1.500	0.217	0.032
SA250168-061P	2.500	1.687	0.610	1.687	0.187	0.032
SA250175-049P	2.500	1.750	0.485	1.750	0.187	0.032
SA250175-050P	2.500	1.750	0.500	1.750	0.156	0.015
SA250187-031P	2.500	1.875	0.312	1.875	0.156	0.015
SA250187-036P	2.500	1.875	0.360	1.875	0.156	0.016
SA250187-037P	2.500	1.875	0.375	1.875	0.156	0.015
SA250187-042P	2.500	1.875	0.422	1.875	0.156	0.016
SA250187-043P	2.500	1.875	0.437	1.875	0.156	0.015
SA250198-035P	2.500	1.980	0.345	1.980	0.125	0.016
SA250198-036P	2.500	1.980	0.360	1.980	0.125	0.015
SA250200-024P	2.500	2.000	0.235	2.000	0.125	0.016
SA250200-031P	2.500	2.000	0.312	2.000	0.125	0.015
SA250200-033P	2.500	2.000	0.328	2.000	0.125	0.016
SA250200-034P	2.500	2.000	0.343	2.000	0.125	0.015

* Nominal Dimensions

Fluid Power

The Hydraulic Seal Specialists



SA-P

Imperial **S**ingle **A**cting Rod or Piston Seal **P**lain

Part Number	*ØD1	*Ød1	*L1	*ØG	min	max
					C	R ₁
SA250200-036P	2.500	2.000	0.360	2.000	0.125	0.016
SA250200-037P	2.500	2.000	0.375	2.000	0.125	0.015
SA250212-024P	2.500	2.125	0.235	2.125	0.093	0.008
SA250212-031P	2.500	2.125	0.312	2.125	0.200	0.010
SA250212-037P	2.500	2.125	0.375	2.125	0.200	0.010
SA251175-049P	2.516	1.750	0.485	1.750	0.187	0.032
SA252187-042P	2.520	1.875	0.422	1.875	0.156	0.016
SA255205-030P	2.550	2.050	0.297	2.050	0.125	0.016
SA255205-031P	2.550	2.050	0.312	2.050	0.200	0.015
SA256181-049P	2.562	1.812	0.485	1.812	0.187	0.032
SA262150-074P	2.625	1.500	0.735	1.500	0.217	0.032
SA262162-086P	2.625	1.625	0.860	1.625	0.217	0.032
SA262175-064P	2.625	1.750	0.641	1.750	0.187	0.032
SA262187-061P	2.625	1.875	0.610	1.875	0.187	0.032
SA262187-062P	2.625	1.875	0.625	1.875	0.187	0.047
SA262193-042P	2.625	1.937	0.422	1.937	0.156	0.016
SA262193-043P	2.625	1.937	0.437	1.937	0.156	0.030
SA262200-030P	2.625	2.000	0.297	2.000	0.156	0.016
SA262200-031P	2.625	2.000	0.312	2.000	0.156	0.015
SA262200-037P	2.625	2.000	0.375	2.000	0.200	0.015
SA262200-042P	2.625	2.000	0.422	2.000	0.156	0.016
SA262200-043P	2.625	2.000	0.437	2.000	0.156	0.015
SA262200-050P	2.625	2.000	0.500	2.000	0.156	0.015
SA262210-037P	2.625	2.109	0.365	2.109	0.125	0.016
SA262212-037P	2.625	2.125	0.375	2.125	0.125	0.015
SA262225-016P	2.625	2.250	0.157	2.250	0.093	0.008
SA262225-017P	2.625	2.250	0.172	2.250	0.093	0.010
SA262225-021P	2.625	2.250	0.210	2.250	0.093	0.010
SA267192-049P	2.670	1.920	0.485	1.920	0.187	0.032
SA275175-061P	2.750	1.750	0.610	1.750	0.217	0.032
SA275175-074P	2.750	1.750	0.735	1.750	0.217	0.032
SA275198-042P	2.750	1.980	0.422	1.980	0.187	0.032
SA275198-043P	2.750	1.980	0.437	1.980	0.187	0.032
SA275200-037P	2.750	2.000	0.375	2.000	0.187	0.032
SA275200-042P	2.750	2.000	0.422	2.000	0.187	0.032
SA275200-043P	2.750	2.000	0.437	2.000	0.187	0.032
SA275200-056P	2.750	2.000	0.562	2.000	0.187	0.032
SA275200-061P	2.750	2.000	0.610	2.000	0.187	0.032
SA275200-062P	2.750	2.000	0.625	2.000	0.187	0.032
SA275212-036P	2.750	2.125	0.360	2.125	0.156	0.016

Fluid **Power**

The Hydraulic Seal Specialists

SA-PImperial **S**ingle **A**cting Rod or Piston Seal **P**lain

Part Number	*ØD1	*Ød1	*L1	*ØG	min	max
					C	R ₁
SA275212-037P	2.750	2.125	0.375	2.125	0.187	0.032
SA275225-036P	2.750	2.250	0.360	2.250	0.125	0.016
SA275225-037P	2.750	2.250	0.375	2.250	0.125	0.015
SA275231-036P	2.750	2.312	0.360	2.312	0.093	0.008
SA275231-037P	2.750	2.312	0.375	2.312	0.093	0.010
SA281181-074P	2.812	1.812	0.735	1.812	0.217	0.032
SA281231-024P	2.812	2.312	0.235	2.312	0.125	0.016
SA281243-036P	2.812	2.437	0.360	2.437	0.093	0.008
SA281243-037P	2.812	2.437	0.375	2.437	0.200	0.008
SA287181-092P	2.875	1.812	0.922	1.812	0.217	0.032
SA287200-061P	2.875	2.000	0.610	2.000	0.187	0.032
SA287212-037P	2.875	2.125	0.375	2.125	0.200	0.015
SA287212-055P	2.875	2.125	0.547	2.125	0.187	0.032
SA287212-056P	2.875	2.125	0.562	2.125	0.200	0.015
SA287212-061P	2.875	2.125	0.610	2.125	0.187	0.016
SA287225-042P	2.875	2.250	0.422	2.250	0.156	0.015
SA287225-043P	2.875	2.250	0.437	2.250	0.156	0.015
SA287237-027P	2.875	2.375	0.266	2.375	0.125	0.016
SA287237-028P	2.875	2.375	0.281	2.375	0.125	0.015
SA287250-030P	2.875	2.500	0.297	2.500	0.093	0.008
SA287250-031P	2.875	2.500	0.312	2.500	0.200	0.010
SA300181-099P	3.000	1.812	0.985	1.812	0.217	0.032
SA300181-100P	3.000	1.812	1.000	1.812	0.200	0.046
SA300187-113P	3.000	1.875	1.126	1.875	0.217	0.032
SA300200-061P	3.000	2.000	0.610	2.000	0.217	0.032
SA300200-074P	3.000	2.000	0.735	2.000	0.217	0.032
SA300200-075P	3.000	2.000	0.750	2.000	0.250	0.032
SA300200-083P	3.000	2.000	0.829	2.000	0.217	0.032
SA300212-049P	3.000	2.125	0.485	2.125	0.187	0.032
SA300212-050P	3.000	2.125	0.500	2.125	0.187	0.047
SA300223-052P	3.000	2.235	0.515	2.235	0.187	0.032
SA300223-053P	3.000	2.235	0.530	2.235	0.200	0.032
SA300225-036P	3.000	2.250	0.360	2.250	0.187	0.032
SA300225-037P	3.000	2.250	0.375	2.250	0.187	0.032
SA300225-049P	3.000	2.250	0.485	2.250	0.187	0.032
SA300225-050P	3.000	2.250	0.500	2.250	0.187	0.032
SA300225-055P	3.000	2.250	0.547	2.250	0.187	0.032
SA300225-056P	3.000	2.250	0.562	2.250	0.187	0.032
SA300237-045P	3.000	2.375	0.454	2.375	0.156	0.016
SA300237-046P	3.000	2.375	0.468	2.375	0.156	0.015

* Nominal Dimensions

Fluid Power

The Hydraulic Seal Specialists



SA-P

Imperial **S**ingle **A**cting Rod or Piston Seal **P**lain

Part Number	*ØD1	*Ød1	*L1	*ØG	min	max
					C	R ₁
SA300245-042P	3.000	2.450	0.422	2.450	0.125	0.016
SA300250-030P	3.000	2.500	0.297	2.500	0.125	0.016
SA300250-031P	3.000	2.500	0.312	2.500	0.125	0.015
SA301210-049P	3.009	2.109	0.485	2.109	0.187	0.032
SA306250-042P	3.062	2.500	0.422	2.500	0.125	0.016
SA309209-074P	3.094	2.094	0.735	2.094	0.217	0.032
SA312200-074P	3.125	2.000	0.735	2.000	0.217	0.032
SA312225-049P	3.125	2.250	0.485	2.250	0.187	0.032
SA312237-055P	3.125	2.375	0.547	2.375	0.187	0.032
SA312237-056P	3.125	2.375	0.562	2.375	0.187	0.032
SA312249-048P	3.125	2.493	0.475	2.493	0.156	0.016
SA312250-036P	3.125	2.500	0.360	2.500	0.156	0.016
SA312250-037P	3.125	2.500	0.375	2.500	0.156	0.015
SA312250-042P	3.125	2.500	0.422	2.500	0.156	0.016
SA312250-043P	3.125	2.500	0.437	2.500	0.200	0.015
SA312250-061P	3.125	2.500	0.610	2.500	0.156	0.016
SA312250-062P	3.125	2.500	0.625	2.500	0.156	0.015
SA312261-037P	3.125	2.609	0.365	2.609	0.125	0.016
SA325200-086P	3.250	2.000	0.860	2.000	0.250	0.047
SA325225-074P	3.250	2.250	0.735	2.250	0.217	0.032
SA325225-087P	3.250	2.250	0.875	2.250	0.200	0.046
SA325250-036P	3.250	2.500	0.360	2.500	0.187	0.032
SA325250-037P	3.250	2.500	0.375	2.500	0.187	0.032
SA325250-045P	3.250	2.500	0.454	2.500	0.187	0.032
SA325250-046P	3.250	2.500	0.468	2.500	0.187	0.032
SA325250-053P	3.250	2.500	0.535	2.500	0.200	0.032
SA325250-055P	3.250	2.500	0.547	2.500	0.187	0.032
SA325250-056P	3.250	2.500	0.562	2.500	0.187	0.032
SA325250-061P	3.250	2.500	0.610	2.500	0.187	0.032
SA325250-062P	3.250	2.500	0.625	2.500	0.187	0.032
SA325262-049P	3.250	2.625	0.485	2.625	0.156	0.016
SA325262-055P	3.250	2.625	0.547	2.625	0.156	0.016
SA325262-056P	3.250	2.625	0.562	2.625	0.156	0.015
SA325262-080P	3.250	2.625	0.797	2.625	0.156	0.016
SA325273-033P	3.250	2.735	0.325	2.735	0.125	0.016
SA325273-034P	3.250	2.735	0.340	2.735	0.125	0.015
SA325275-036P	3.250	2.750	0.360	2.750	0.125	0.016
SA325275-037P	3.250	2.750	0.375	2.750	0.125	0.015
SA334259-049P	3.344	2.594	0.485	2.594	0.187	0.032
SA337250-061P	3.375	2.500	0.610	2.500	0.187	0.032

Fluid Power

The Hydraulic Seal Specialists

SA-P

Imperial **S**ingle **A**cting Rod or Piston Seal **P**lain

Part Number	*ØD1	*Ød1	*L1	*ØG	min	max
					C	R ₁
SA337262-055P	3.375	2.625	0.547	2.625	0.187	0.032
SA337262-056P	3.375	2.625	0.562	2.625	0.187	0.032
SA337262-074P	3.375	2.625	0.735	2.625	0.187	0.032
SA337275-037P	3.375	2.750	0.375	2.750	0.200	0.015
SA337275-042P	3.375	2.750	0.422	2.750	0.125	0.016
SA337275-043P	3.375	2.750	0.437	2.750	0.125	0.016
SA337287-036P	3.375	2.875	0.360	2.875	0.125	0.016
SA337300-030P	3.375	3.000	0.297	3.000	0.093	0.008
SA337300-031P	3.375	3.000	0.312	3.000	0.200	0.010
SA350212-074P	3.500	2.125	0.735	2.125	0.250	0.047
SA350218-099P	3.500	2.187	0.985	2.187	0.250	0.047
SA350250-061P	3.500	2.500	0.610	2.500	0.217	0.032
SA350250-074P	3.500	2.500	0.735	2.500	0.217	0.032
SA350250-075P	3.500	2.500	0.750	2.500	0.250	0.032
SA350275-037P	3.500	2.750	0.375	2.750	0.187	0.032
SA350275-045P	3.500	2.750	0.454	2.750	0.187	0.032
SA350275-049P	3.500	2.750	0.485	2.750	0.187	0.032
SA350275-050P	3.500	2.750	0.500	2.750	0.187	0.032
SA350275-055P	3.500	2.750	0.547	2.750	0.187	0.032
SA350275-056P	3.500	2.750	0.562	2.750	0.187	0.032
SA350287-046P	3.500	2.875	0.455	2.875	0.156	0.016
SA350287-047P	3.500	2.875	0.470	2.875	0.156	0.015
SA350300-037P	3.500	3.000	0.375	3.000	0.125	0.015
SA350312-016P	3.500	3.125	0.157	3.125	0.093	0.008
SA350312-017P	3.500	3.125	0.172	3.125	0.200	0.010
SA351248-055P	3.509	2.487	0.547	2.487	0.217	0.032
SA351273-055P	3.509	2.734	0.547	2.734	0.187	0.032
SA352300-042P	3.525	3.000	0.422	3.000	0.125	0.016
SA356275-092P	3.562	2.750	0.922	2.750	0.187	0.032
SA361250-077P	3.606	2.500	0.772	2.500	0.217	0.032
SA362262-074P	3.625	2.625	0.735	2.625	0.217	0.032
SA362275-074P	3.625	2.750	0.735	2.750	0.187	0.032
SA362287-049P	3.625	2.875	0.485	2.875	0.250	0.047
SA362287-055P	3.625	2.875	0.547	2.875	0.250	0.047
SA362287-056P	3.625	2.875	0.562	2.875	0.250	0.032
SA362300-036P	3.625	3.000	0.360	3.000	0.156	0.016
SA362300-037P	3.625	3.000	0.375	3.000	0.156	0.015
SA375250-099P	3.750	2.500	0.985	2.500	0.250	0.047
SA375275-049P	3.750	2.750	0.485	2.750	0.217	0.032
SA375275-050P	3.750	2.750	0.500	2.750	0.250	0.032

* Nominal Dimensions

Fluid Power

The Hydraulic Seal Specialists



SA-P

Imperial **S**ingle **A**cting Rod or Piston Seal **P**lain

Part Number	*ØD1	*Ød1	*L1	*ØG	min	max
					C	R ₁
SA375275-074P	3.750	2.750	0.735	2.750	0.217	0.032
SA375298-044P	3.750	2.984	0.435	2.984	0.187	0.032
SA375300-036P	3.750	3.000	0.360	3.000	0.187	0.032
SA375300-037P	3.750	3.000	0.375	3.000	0.187	0.032
SA375300-049P	3.750	3.000	0.485	3.000	0.187	0.032
SA375300-050P	3.750	3.000	0.500	3.000	0.187	0.032
SA375300-055P	3.750	3.000	0.547	3.000	0.187	0.032
SA375300-056P	3.750	3.000	0.562	3.000	0.187	0.032
SA375300-067P	3.750	3.000	0.672	3.000	0.187	0.032
SA375312-042P	3.750	3.125	0.422	3.125	0.156	0.016
SA375323-035P	3.750	3.230	0.345	3.230	0.125	0.016
SA375323-036P	3.750	3.230	0.360	3.230	0.125	0.015
SA375325-036P	3.750	3.250	0.360	3.250	0.125	0.016
SA375325-037P	3.750	3.250	0.375	3.250	0.093	0.030
SA381281-074P	3.812	2.812	0.735	2.812	0.217	0.032
SA387287-061P	3.875	2.875	0.610	2.875	0.217	0.032
SA387287-062P	3.875	2.875	0.625	2.875	0.250	0.032
SA387300-077P	3.875	3.000	0.766	3.000	0.187	0.032
SA387312-055P	3.875	3.125	0.547	3.125	0.187	0.032
SA387312-056P	3.875	3.125	0.562	3.125	0.187	0.032
SA387312-099P	3.875	3.125	0.985	3.125	0.187	0.032
SA387325-043P	3.875	3.250	0.437	3.250	0.200	0.015
SA387325-056P	3.875	3.250	0.562	3.250	0.200	0.015
SA387337-042P	3.875	3.375	0.422	3.375	0.125	0.016
SA387337-043P	3.875	3.375	0.437	3.375	0.200	0.015
SA387350-039P	3.875	3.500	0.391	3.500	0.093	0.008
SA389315-046P	3.890	3.150	0.455	3.150	0.125	0.016
SA390340-036P	3.900	3.400	0.360	3.400	0.125	0.016
SA400275-086P	4.000	2.750	0.860	2.750	0.250	0.047
SA400300-037P	4.000	3.000	0.375	3.000	0.250	0.032
SA400300-062P	4.000	3.000	0.625	3.000	0.250	0.032
SA400300-080P	4.000	3.000	0.797	3.000	0.250	0.032
SA400300-086P	4.000	3.000	0.860	3.000	0.217	0.032
SA400300-087P	4.000	3.000	0.875	3.000	0.250	0.032
SA400323-055P	4.000	3.235	0.545	3.235	0.187	0.032
SA400325-037P	4.000	3.250	0.375	3.250	0.200	0.032
SA400325-049P	4.000	3.250	0.485	3.250	0.187	0.032
SA400325-050P	4.000	3.250	0.500	3.250	0.187	0.032
SA400325-055P	4.000	3.250	0.547	3.250	0.187	0.032
SA400325-056P	4.000	3.250	0.562	3.250	0.187	0.032

Fluid Power

The Hydraulic Seal Specialists

SA-P

Imperial **S**ingle **A**cting Rod or Piston Seal **P**lain

Part Number	*ØD1	*Ød1	*L1	*ØG	min	max
					C	R ₁
SA400336-042P	4.000	3.359	0.422	3.359	0.156	0.016
SA400337-042P	4.000	3.375	0.422	3.375	0.156	0.016
SA400350-036P	4.000	3.500	0.360	3.500	0.125	0.016
SA400350-037P	4.000	3.500	0.375	3.500	0.125	0.015
SA403324-049P	4.028	3.243	0.490	3.243	0.200	0.187
SA403325-055P	4.035	3.250	0.547	3.250	0.187	0.032
SA406306-074P	4.062	3.062	0.735	3.062	0.217	0.032
SA412275-080P	4.125	2.750	0.797	2.750	0.250	0.047
SA412287-099P	4.125	2.875	0.985	2.875	0.250	0.047
SA412337-055P	4.125	3.375	0.547	3.375	0.187	0.032
SA412337-056P	4.125	3.375	0.562	3.375	0.187	0.032
SA412350-036P	4.125	3.500	0.360	3.500	0.156	0.016
SA412350-037P	4.125	3.500	0.375	3.500	0.156	0.015
SA412375-036P	4.125	3.750	0.360	3.750	0.125	0.016
SA418368-036P	4.187	3.687	0.360	3.687	0.125	0.016
SA418368-037P	4.187	3.687	0.375	3.687	0.092	0.030
SA421375-046P	4.215	3.750	0.457	3.750	0.093	0.008
SA424350-047P	4.245	3.505	0.465	3.505	0.187	0.032
SA425300-074P	4.250	3.000	0.735	3.000	0.250	0.047
SA425325-074P	4.250	3.250	0.735	3.250	0.217	0.032
SA425325-075P	4.250	3.250	0.750	3.250	0.250	0.032
SA425348-044P	4.250	3.480	0.435	3.480	0.187	0.032
SA425350-047P	4.250	3.500	0.465	3.500	0.187	0.032
SA425350-048P	4.250	3.500	0.480	3.500	0.200	0.032
SA425350-055P	4.250	3.500	0.547	3.500	0.200	0.032
SA425350-056P	4.250	3.500	0.562	3.500	0.187	0.032
SA425350-062P	4.250	3.500	0.625	3.500	0.200	0.047
SA425350-067P	4.250	3.500	0.672	3.500	0.200	0.047
SA425400-036P	4.250	4.000	0.360	4.000	0.093	0.008
SA427324-075P	4.271	3.240	0.752	3.240	0.217	0.032
SA431331-074P	4.312	3.312	0.735	3.312	0.217	0.032
SA437312-086P	4.375	3.125	0.860	3.125	0.250	0.047
SA437337-074P	4.375	3.375	0.735	3.375	0.217	0.032
SA437337-075P	4.375	3.375	0.750	3.375	0.250	0.016
SA437362-036P	4.375	3.625	0.360	3.625	0.187	0.032
SA450300-111P	4.500	3.000	1.110	3.000	0.250	0.047
SA450325-074P	4.500	3.250	0.735	3.250	0.250	0.047
SA450337-086P	4.500	3.375	0.860	3.375	0.217	0.032
SA450350-037P	4.500	3.500	0.375	3.500	0.250	0.032
SA450350-050P	4.500	3.500	0.505	3.500	0.187	0.032

* Nominal Dimensions

Fluid **Power**

The Hydraulic Seal Specialists

**SA-P**Imperial **S**ingle **A**cting Rod or Piston Seal **P**lain

Part Number	*ØD1	*Ød1	*L1	*ØG	min	max
					C	R ₁
SA450350-054P	4.500	3.500	0.535	3.500	0.187	0.032
SA450350-056P	4.500	3.500	0.562	3.500	0.250	0.032
SA450350-074P	4.500	3.500	0.735	3.500	0.217	0.032
SA450350-075P	4.500	3.500	0.750	3.500	0.250	0.032
SA450350-086P	4.500	3.500	0.860	3.500	0.250	0.032
SA450373-048P	4.500	3.730	0.475	3.730	0.187	0.032
SA450375-040P	4.500	3.750	0.395	3.750	0.187	0.032
SA450375-049P	4.500	3.750	0.485	3.750	0.187	0.032
SA450375-050P	4.500	3.750	0.500	3.750	0.187	0.032
SA450375-056P	4.500	3.750	0.562	3.750	0.200	0.032
SA450375-086P	4.500	3.750	0.860	3.750	0.200	0.032
SA450387-055P	4.500	3.875	0.547	3.875	0.156	0.016
SA450395-037P	4.500	3.950	0.350	3.950	0.125	0.016
SA450400-033P	4.500	4.000	0.328	4.000	0.092	0.030
SA450400-036P	4.500	4.000	0.360	4.000	0.125	0.016
SA450400-037P	4.500	4.000	0.375	4.000	0.125	0.015
SA462362-049P	4.625	3.625	0.485	3.625	0.217	0.032
SA462362-050P	4.625	3.625	0.500	3.625	0.250	0.032
SA462362-075P	4.625	3.625	0.750	3.625	0.250	0.032
SA462412-027P	4.625	4.125	0.265	4.125	0.125	0.016
SA475325-111P	4.750	3.250	1.110	3.250	0.250	0.047
SA475375-075P	4.750	3.750	0.750	3.750	0.250	0.032
SA475375-080P	4.750	3.750	0.797	3.750	0.217	0.032
SA475398-055P	4.750	3.984	0.545	3.984	0.187	0.032
SA475400-056P	4.750	4.000	0.562	4.000	0.187	0.047
SA475400-067P	4.750	4.000	0.672	4.000	0.187	0.047
SA475412-040P	4.750	4.125	0.395	4.125	0.156	0.016
SA475425-036P	4.750	4.250	0.360	4.250	0.093	0.030
SA475425-037P	4.750	4.250	0.375	4.250	0.125	0.015
SA478412-040P	4.781	4.125	0.395	4.125	0.156	0.016
SA481431-036P	4.812	4.312	0.360	4.312	0.125	0.016
SA487362-099P	4.875	3.625	0.985	3.625	0.250	0.047
SA487387-074P	4.875	3.875	0.735	3.875	0.217	0.032
SA487400-064P	4.875	4.000	0.641	4.000	0.187	0.032
SA487423-040P	4.875	4.232	0.395	4.232	0.187	0.032
SA487437-036P	4.875	4.375	0.360	4.232	0.125	0.016
SA487437-037P	4.875	4.375	0.375	4.232	0.125	0.015
SA500343-117P	5.000	3.437	1.172	3.437	0.250	0.047
SA500350-111P	5.000	3.500	1.110	3.500	0.250	0.047
SA500375-099P	5.000	3.750	0.985	3.750	0.250	0.047

Fluid Power

The Hydraulic Seal Specialists

SA-P

Imperial **S**ingle **A**cting Rod or Piston Seal **P**lain

Part Number	*ØD1	*Ød1	*L1	*ØG	min	max
					C	R ₁
SA500400-037P	5.000	4.000	0.375	4.000	0.250	0.047
SA500400-061P	5.000	4.000	0.610	4.000	0.217	0.032
SA500400-062P	5.000	4.000	0.625	4.000	0.250	0.047
SA500400-074P	5.000	4.000	0.735	4.000	0.217	0.032
SA500400-075P	5.000	4.000	0.750	4.000	0.250	0.047
SA500425-055P	5.000	4.250	0.547	4.250	0.187	0.032
SA500425-056P	5.000	4.250	0.562	4.250	0.187	0.032
SA500437-036P	5.000	4.375	0.360	4.375	0.156	0.016
SA500450-036P	5.000	4.500	0.360	4.500	0.125	0.016
SA500450-037P	5.000	4.500	0.375	4.500	0.093	0.030
SA506456-036P	5.062	4.562	0.360	4.562	0.125	0.016
SA512412-074P	5.125	4.125	0.735	4.125	0.217	0.032
SA512437-055P	5.125	4.375	0.547	4.375	0.187	0.032
SA512437-056P	5.125	4.375	0.562	4.375	0.250	0.032
SA512448-040P	5.125	4.480	0.395	4.480	0.156	0.016
SA525400-050P	5.250	4.000	0.500	4.000	0.250	0.046
SA525400-111P	5.250	4.000	1.110	4.000	0.250	0.046
SA525425-074P	5.250	4.250	0.735	4.250	0.217	0.032
SA525425-075P	5.250	4.250	0.750	4.250	0.200	0.032
SA525425-086P	5.250	4.250	0.860	4.250	0.250	0.032
SA525450-045P	5.250	4.500	0.454	4.500	0.187	0.032
SA525450-046P	5.250	4.500	0.469	4.500	0.187	0.047
SA525450-067P	5.250	4.500	0.672	4.500	0.187	0.032
SA530490-031P	5.300	4.900	0.310	4.900	0.093	0.008
SA537437-074P	5.375	4.375	0.735	4.375	0.250	0.032
SA537448-067P	5.375	4.485	0.665	4.485	0.187	0.032
SA537450-067P	5.375	4.500	0.672	4.500	0.187	0.032
SA550400-111P	5.500	4.000	1.110	4.000	0.250	0.047
SA550425-136P	5.500	4.250	1.360	4.250	0.250	0.047
SA550447-074P	5.500	4.470	0.735	4.470	0.217	0.032
SA550450-074P	5.500	4.500	0.735	4.500	0.217	0.032
SA550450-075P	5.500	4.500	0.750	4.500	0.250	0.032
SA550462-055P	5.500	4.625	0.547	4.625	0.187	0.032
SA550475-056P	5.500	4.750	0.562	4.750	0.250	0.032
SA550475-061P	5.500	4.750	0.610	4.750	0.187	0.032
SA550500-030P	5.500	5.000	0.297	5.000	0.125	0.016
SA550500-036P	5.500	5.000	0.360	5.000	0.125	0.016
SA550500-037P	5.500	5.000	0.375	5.000	0.250	0.015
SA562462-086P	5.625	4.625	0.860	4.625	0.217	0.032
SA565465-074P	5.650	4.650	0.735	4.650	0.217	0.032

* Nominal Dimensions

Fluid **Power**

The Hydraulic Seal Specialists

**SA-P**Imperial **S**ingle **A**cting Rod or Piston Seal **P**lain

Part Number	*ØD1	*Ød1	*L1	*ØG	min	max
					C	R ₁
SA570520-036P	5.700	5.200	0.360	5.200	0.125	0.016
SA575375-124P	5.750	3.750	1.235	3.750	0.250	0.047
SA575443-086P	5.750	4.437	0.860	4.437	0.250	0.047
SA575450-099P	5.750	4.500	0.985	4.500	0.250	0.047
SA575458-074P	5.750	4.585	0.735	4.585	0.217	0.032
SA575475-074P	5.750	4.750	0.735	4.750	0.217	0.032
SA575475-075P	5.750	4.750	0.750	4.750	0.250	0.032
SA575500-049P	5.750	5.000	0.485	5.000	0.187	0.032
SA575500-050P	5.750	5.000	0.500	5.000	0.250	0.032
SA587437-111P	5.875	4.375	1.110	4.375	0.250	0.047
SA587487-074P	5.875	4.875	0.735	4.875	0.217	0.032
SA587498-067P	5.875	4.983	0.672	4.983	0.187	0.032
SA600475-117P	6.000	4.750	1.172	4.750	0.250	0.047
SA600500-074P	6.000	5.000	0.735	5.000	0.217	0.032
SA600500-075P	6.000	5.000	0.750	5.000	0.250	0.032
SA600500-086P	6.000	5.000	0.860	5.000	0.217	0.032
SA600512-055P	6.000	5.125	0.547	5.125	0.187	0.032
SA600525-055P	6.000	5.250	0.547	5.250	0.187	0.032
SA600525-056P	6.000	5.250	0.562	5.250	0.250	0.032
SA600537-036P	6.000	5.375	0.360	5.375	0.156	0.016
SA600537-037P	6.000	5.375	0.375	5.375	0.156	0.015
SA600550-036P	6.000	5.500	0.360	5.500	0.125	0.016
SA600550-037P	6.000	5.500	0.375	5.500	0.125	0.030
SA602526-055P	6.020	5.263	0.547	5.263	0.187	0.032
SA606506-086P	6.062	5.062	0.860	5.062	0.217	0.032
SA612512-074P	6.125	5.125	0.735	5.125	0.217	0.032
SA612537-049P	6.125	5.375	0.485	5.375	0.187	0.032
SA625525-052P	6.250	5.250	0.516	5.250	0.217	0.032
SA625525-053P	6.250	5.250	0.531	5.250	0.250	0.016
SA625525-056P	6.250	5.250	0.562	5.250	0.250	0.032
SA625525-074P	6.250	5.250	0.735	5.250	0.217	0.032
SA625525-086P	6.250	5.250	0.860	5.250	0.217	0.032
SA625550-067P	6.250	5.500	0.672	5.500	0.187	0.032
SA625550-068P	6.250	5.500	0.687	5.500	0.187	0.032
SA625575-036P	6.250	5.750	0.360	5.750	0.125	0.016
SA637418-161P	6.375	4.187	1.610	4.187	0.250	0.047
SA637562-061P	6.375	5.625	0.610	5.625	0.187	0.032
SA643543-074P	6.437	5.437	0.735	5.437	0.217	0.032
SA650543-074P	6.500	5.437	0.750	5.437	0.217	0.032
SA650550-074P	6.500	5.500	0.735	5.500	0.217	0.032

Fluid Power

The Hydraulic Seal Specialists

SA-P

Imperial **S**ingle **A**cting Rod or Piston Seal **P**lain

Part Number	*ØD1	*Ød1	*L1	*ØG	min	max
					C	R ₁
SA650550-075P	6.500	5.500	0.750	5.500	0.250	0.032
SA662562-124P	6.625	5.625	1.235	5.625	0.217	0.032
SA675550-124P	6.750	5.500	1.235	5.500	0.250	0.047
SA675575-074P	6.750	5.750	0.735	5.750	0.217	0.032
SA675575-075P	6.750	5.750	0.750	5.750	0.250	0.032
SA675585-055P	6.750	5.850	0.545	5.850	0.187	0.032
SA675600-036P	6.750	6.000	0.360	6.000	0.187	0.032
SA675600-061P	6.750	6.000	0.610	6.000	0.187	0.032
SA687512-130P	6.875	5.125	1.297	5.125	0.250	0.047
SA687587-074P	6.875	5.875	0.735	5.875	0.217	0.032
SA687598-055P	6.875	5.982	0.545	5.982	0.187	0.032
SA700500-149P	7.000	5.000	1.485	5.000	0.250	0.047
SA700550-111P	7.000	5.500	1.110	5.500	0.250	0.047
SA700575-092P	7.000	5.750	0.922	5.750	0.250	0.047
SA700600-074P	7.000	6.000	0.735	6.000	0.217	0.032
SA700600-075P	7.000	6.000	0.750	6.000	0.250	0.032
SA700600-086P	7.000	6.000	0.860	6.000	0.250	0.032
SA700625-056P	7.000	6.250	0.562	6.250	0.156	0.015
SA700650-036P	7.000	6.500	0.360	6.500	0.125	0.016
SA700650-037P	7.000	6.500	0.375	6.500	0.125	0.016
SA706606-074P	7.062	6.062	0.735	6.062	0.217	0.032
SA712587-130P	7.125	5.875	1.297	5.875	0.250	0.047
SA712600-074P	7.125	6.000	0.735	6.000	0.217	0.032
SA725600-099P	7.250	6.000	0.985	6.000	0.250	0.047
SA725600-111P	7.250	6.000	1.110	6.000	0.250	0.047
SA725625-061P	7.250	6.250	0.610	6.250	0.217	0.032
SA725625-099P	7.250	6.250	0.985	6.250	0.217	0.032
SA725650-067P	7.250	6.500	0.672	6.500	0.187	0.032
SA725675-036P	7.250	6.750	0.360	6.750	0.125	0.016
SA737600-105P	7.375	6.000	1.047	6.000	0.250	0.047
SA737687-036P	7.375	6.875	0.360	6.875	0.125	0.016
SA750600-149P	7.500	6.000	1.485	6.000	0.250	0.047
SA750625-100P	7.500	6.250	1.000	6.250	0.295	0.016
SA750675-042P	7.500	6.750	0.422	6.750	0.187	0.032
SA762612-111P	7.625	6.125	1.110	6.125	0.250	0.047
SA775600-099P	7.750	6.000	0.985	6.000	0.250	0.047
SA775650-086P	7.750	6.500	0.860	6.500	0.250	0.047
SA775650-087P	7.750	6.500	0.875	6.500	0.250	0.046
SA775650-099P	7.750	6.500	0.985	6.500	0.250	0.047
SA775650-100P	7.750	6.500	1.000	6.500	0.250	0.047

* Nominal Dimensions

Fluid Power

The Hydraulic Seal Specialists



SA-P

Imperial **S**ingle **A**cting Rod or Piston Seal **P**lain

Part Number	*ØD1	*Ød1	*L1	*ØG	min	max
					C	R ₁
SA775675-075P	7.750	6.750	0.750	6.750	0.250	0.047
SA775675-099P	7.750	6.750	0.985	6.750	0.217	0.032
SA800650-124P	8.000	6.500	1.235	6.500	0.250	0.047
SA800675-099P	8.000	6.750	0.985	6.750	0.250	0.047
SA800698-067P	8.000	6.985	0.672	6.985	0.217	0.032
SA800700-067P	8.000	7.000	0.672	7.000	0.217	0.032
SA800700-086P	8.000	7.000	0.860	7.000	0.217	0.032
SA800700-087P	8.000	7.000	0.875	7.000	0.250	0.032
SA800725-067P	8.000	7.250	0.672	7.250	0.187	0.032
SA812662-124P	8.125	6.625	1.235	6.625	0.250	0.047
SA812700-074P	8.125	7.000	0.735	7.000	0.217	0.032
SA825700-099P	8.250	7.000	0.985	7.000	0.250	0.047
SA825750-055P	8.250	7.500	0.547	7.500	0.187	0.032
SA826767-038P	8.260	7.677	0.379	7.677	0.125	0.016
SA850675-099P	8.500	6.750	0.985	6.750	0.250	0.047
SA850700-111P	8.500	7.000	1.110	7.000	0.250	0.047
SA850725-099P	8.500	7.250	0.985	7.250	0.250	0.047
SA850725-100P	8.500	7.250	1.000	7.250	0.250	0.046
SA850750-074P	8.500	7.500	0.735	7.500	0.217	0.032
SA850750-124P	8.500	7.500	1.235	7.500	0.217	0.032
SA850800-036P	8.500	8.000	0.360	8.000	0.125	0.016
SA862750-095P	8.625	7.500	0.954	7.500	0.217	0.032
SA875675-130P	8.750	6.750	1.297	6.750	0.250	0.047
SA875725-111P	8.750	7.250	1.110	7.250	0.250	0.047
SA875750-086P	8.750	7.500	0.860	7.500	0.250	0.047
SA875750-099P	8.750	7.500	0.985	7.500	0.250	0.047
SA887737-124P	8.875	7.375	1.235	7.375	0.250	0.047
SA900700-149P	9.000	7.000	1.485	7.000	0.250	0.047
SA900775-099P	9.000	7.750	0.985	7.750	0.250	0.047
SA900775-100P	9.000	7.750	1.000	7.750	0.295	0.016
SA900775-111P	9.000	7.750	1.110	7.750	0.250	0.047
SA900800-074P	9.000	8.000	0.735	8.000	0.217	0.032
SA900800-075P	9.000	8.000	0.750	8.000	0.250	0.030
SA900825-061P	9.000	8.250	0.610	8.250	0.187	0.032
SA906800-080P	9.062	8.000	0.797	8.000	0.217	0.032
SA912837-054P	9.125	8.375	0.535	8.375	0.187	0.032
SA912837-056P	9.125	8.375	0.560	8.375	0.187	0.016
SA925800-099P	9.250	8.000	0.985	8.000	0.250	0.047
SA925800-100P	9.250	8.000	1.000	8.000	0.275	0.016
SA925800-117P	9.250	8.000	1.172	8.000	0.250	0.047

Fluid Power

The Hydraulic Seal Specialists

SA-P

Imperial **S**ingle **A**cting Rod or Piston Seal **P**lain

Part Number	*ØD1	*Ød1	*L1	*ØG	min	max
					C	R ₁
SA937825-086P	9.375	8.250	0.860	8.250	0.217	0.032
SA950800-099P	9.500	8.000	0.985	8.000	0.250	0.047
SA950800-149P	9.500	8.000	1.485	8.000	0.250	0.047
SA950825-099P	9.500	8.250	0.985	8.250	0.250	0.047
SA950825-099P	9.500	8.250	0.985	8.250	0.281	0.047
SA950837-075P	9.500	8.375	0.750	8.375	0.250	0.046
SA950850-161P	9.500	8.500	1.610	8.500	0.217	0.032
SA975787-149P	9.750	7.875	1.485	7.875	0.250	0.047
SA975843-086P	9.750	8.437	0.860	8.437	0.250	0.047
SA975850-099P	9.750	8.500	0.985	8.500	0.250	0.047
SA975850-100P	9.750	8.500	1.000	8.500	0.295	0.016
SA975850-130P	9.750	8.500	1.297	8.500	0.250	0.047
SA975875-099P	9.750	8.750	0.985	8.750	0.217	0.032
SA987850-111P	9.875	8.500	1.110	8.500	0.250	0.047
SA987862-061P	9.875	8.625	0.610	8.625	0.250	0.047
SA1000800-111P	10.000	8.000	1.110	8.000	0.250	0.047
SA1000800-136P	10.000	8.000	1.360	8.000	0.250	0.047
SA1000850-092P	10.000	8.500	0.922	8.500	0.250	0.047
SA1000875-099P	10.000	8.750	0.985	8.750	0.250	0.047
SA1000900-080P	10.000	9.000	0.797	9.000	0.217	0.032
SA1025900-099P	10.250	9.000	0.985	9.000	0.250	0.047
SA1025900-100P	10.250	9.000	1.000	9.000	0.275	0.016
SA1050900-124P	10.500	9.000	1.235	9.000	0.250	0.047
SA1050925-099P	10.500	9.250	0.985	9.250	0.250	0.047
SA1050950-099P	10.500	9.500	0.985	9.500	0.217	0.032
SA1050987-043P	10.500	9.875	0.425	9.875	0.156	0.016
SA1050987-044P	10.500	9.875	0.435	9.875	0.156	0.016
SA1062862-136P	10.625	8.625	1.360	8.625	0.250	0.047
SA1075943-086P	10.750	9.437	0.860	9.437	0.250	0.047
SA1075950-099P	10.750	9.500	0.985	9.500	0.250	0.047
SA1075950-111P	10.750	9.500	1.110	9.500	0.250	0.047
SA1081850-180P	10.812	8.500	1.797	8.500	0.250	0.047
SA1100975-099P	11.000	9.750	0.985	9.750	0.250	0.047
SA1118968-067P	11.187	9.687	0.672	9.687	0.250	0.047
SA1125962-095P	11.250	9.625	0.953	9.625	0.250	0.047
SA11251000-099P	11.250	10.000	0.985	10.000	0.250	0.047
SA11251000-100P	11.250	10.000	0.985	10.000	0.295	0.016
SA11251000-111P	11.250	10.000	1.110	10.000	0.250	0.047
SA11501000-130P	11.500	10.000	1.297	10.000	0.250	0.047
SA11501025-100P	11.500	10.250	1.000	10.250	0.250	0.047

* Nominal Dimensions

Fluid Power

The Hydraulic Seal Specialists



SA-P

Imperial **S**ingle **A**cting Rod or Piston Seal **P**lain

Part Number	*ØD1	*Ød1	*L1	*ØG	min	max
					C	R ₁
SA11751050-074P	11.750	10.500	0.735	10.500	0.250	0.047
SA11751050-099P	11.750	10.500	0.985	10.500	0.250	0.047
SA12001000-174P	12.000	10.000	1.735	10.000	0.250	0.047
SA12001050-111P	12.000	10.500	1.110	10.500	0.250	0.047
SA12001062-111P	12.000	10.625	1.110	10.625	0.250	0.047
SA12001075-099P	12.000	10.750	0.985	10.750	0.250	0.047
SA12001100-074P	12.000	11.000	0.735	11.000	0.250	0.047
SA12251050-099P	12.250	10.500	0.985	10.500	0.250	0.047
SA12251100-099P	12.250	11.000	0.985	11.000	0.250	0.047
SA12251100-100P	12.250	11.000	1.000	11.000	0.295	0.016
SA12501050-149P	12.500	10.500	1.485	10.500	0.250	0.047
SA12501125-099P	12.500	11.250	0.985	11.250	0.250	0.047
SA12501125-100P	12.500	11.250	1.000	11.250	0.295	0.016
SA12751125-136P	12.750	11.250	1.360	11.250	0.250	0.047
SA12751150-099P	12.750	11.500	0.985	11.500	0.250	0.047
SA13001100-149P	13.000	11.000	1.485	11.000	0.250	0.047
SA13001150-111P	13.000	11.500	1.110	11.500	0.250	0.047
SA13001175-099P	13.000	11.750	0.985	11.750	0.250	0.047
SA13001175-100P	13.000	11.750	1.000	11.750	0.295	0.016
SA13001200-099P	13.000	12.000	0.985	12.000	0.217	0.032
SA13121162-067P	13.125	11.625	0.672	11.625	0.250	0.047
SA13251150-130P	13.250	11.500	1.297	11.500	0.250	0.047
SA13251175-111P	13.250	11.750	1.110	11.750	0.250	0.047
SA13251200-099P	13.250	12.000	0.985	12.000	0.250	0.047
SA13251200-100P	13.250	12.000	1.000	12.000	0.295	0.016
SA13251200-130P	13.250	12.000	1.297	12.000	0.250	0.047
SA13501112-111P	13.500	11.125	1.110	11.125	0.250	0.047
SA13501200-111P	13.500	12.000	1.110	12.000	0.250	0.047
SA13691256-099P	13.688	12.562	0.985	12.562	0.250	0.047
SA13871237-111P	13.875	12.375	1.110	12.375	0.250	0.047
SA13871262-099P	13.875	12.625	0.985	12.625	0.250	0.047
SA14001200-124P	14.000	12.000	1.235	12.000	0.250	0.047
SA14001275-099P	14.000	12.750	0.985	12.750	0.250	0.047
SA14251300-099P	14.250	13.000	0.985	13.000	0.250	0.047
SA14501300-105P	14.500	13.000	1.047	13.000	0.250	0.047
SA15001375-099P	15.000	13.750	0.985	13.750	0.250	0.047
SA15001393-080P	15.000	13.937	0.797	13.937	0.250	0.047
SA15251400-119P	15.250	14.000	1.193	14.000	0.250	0.047
SA15501300-149P	15.500	13.000	1.485	13.000	0.250	0.047
SA15501400-149P	15.500	14.000	1.485	14.000	0.250	0.047

Fluid Power

The Hydraulic Seal Specialists

SA-P

Imperial **S**ingle **A**cting Rod or Piston Seal **P**lain

Part Number	*ØD1	*Ød1	*L1	*ØG	min	max
					C	R ₁
SA15751400-149P	15.750	14.000	1.485	14.000	0.250	0.047
SA15871462-099P	15.875	14.625	0.985	14.625	0.250	0.047
SA16001448-149P	16.000	14.480	1.485	14.480	0.250	0.047
SA16001450-149P	16.000	14.500	1.485	14.500	0.250	0.047
SA16501500-136P	16.500	15.000	1.360	15.000	0.250	0.047
SA16751575-099P	16.750	15.750	0.985	15.750	0.250	0.047
SA17001500-149P	17.000	15.000	1.485	15.000	0.250	0.047
SA17001562-131P	17.000	15.625	1.312	15.625	0.400	0.046
SA17121562-136P	17.125	15.618	1.360	15.618	0.250	0.047
SA17251525-174P	17.250	15.250	1.735	15.250	0.250	0.047
SA17501600-136P	17.500	16.000	1.360	16.000	0.250	0.047
SA17751600-149P	17.750	16.000	1.485	16.000	0.250	0.047
SA17751650-099P	17.750	16.500	0.985	16.500	0.250	0.047
SA17751700-061P	17.750	17.000	0.610	17.000	0.187	0.032
SA18001600-149P	18.000	16.000	1.485	16.000	0.250	0.047
SA18001650-111P	18.000	16.500	1.110	16.500	0.250	0.047
SA18001650-125P	18.000	16.500	1.235	16.500	0.250	0.047
SA18371712-099P	18.375	17.125	0.985	17.125	0.250	0.047
SA18501650-150P	18.500	16.500	1.485	16.500	0.250	0.047
SA18871768-107P	18.875	17.681	1.065	17.681	0.250	0.047
SA19001700-124P	19.000	17.000	1.235	17.000	0.250	0.047
SA19001750-137P	19.000	17.500	1.375	17.500	0.295	0.016
SA19251800-124P	19.250	18.000	1.235	18.000	0.250	0.047
SA19501800-149P	19.500	18.000	1.485	18.000	0.250	0.047
SA19531787-129P	19.534	17.875	1.287	17.875	0.250	0.047
SA19871837-099P	19.875	18.375	0.985	18.375	0.250	0.047
SA20001800-149P	20.000	18.000	1.485	18.000	0.250	0.047
SA20001850-149P	20.000	18.500	1.485	18.500	0.250	0.047
SA20121912-074P	20.125	19.125	0.735	19.125	0.217	0.032
SA20751900-130P	20.750	19.000	1.297	19.000	0.250	0.047
SA21501950-149P	21.500	19.500	1.485	19.500	0.250	0.047
SA21502000-099P	21.500	20.000	0.985	20.000	0.250	0.047
SA21502000-174P	21.500	20.000	1.735	20.000	0.250	0.047
SA21752000-130P	21.750	20.000	1.297	20.000	0.250	0.047
SA21752050-124P	21.750	20.500	1.235	20.500	0.250	0.047
SA23122162-111P	23.125	21.625	1.110	21.625	0.250	0.047
SA23502143-174P	23.500	21.430	1.735	21.430	0.250	0.047
SA23502150-174P	23.500	21.500	1.735	21.500	0.250	0.047
SA23502200-111P	23.500	22.000	1.110	22.000	0.250	0.047
SA24002200-149P	24.000	22.000	1.485	22.000	0.250	0.047

* Nominal Dimensions

Fluid Power

The Hydraulic Seal Specialists



SA-P

Imperial **S**ingle **A**cting Rod or Piston Seal **P**lain

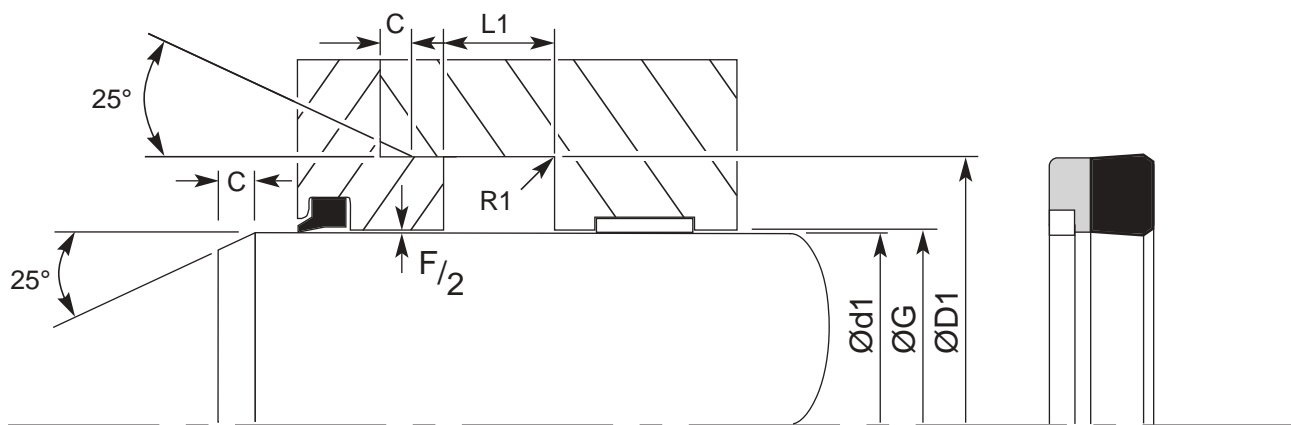
Part Number	*ØD1	*Ød1	*L1	*ØG	min	max
					C	R ₁
SA24002250-111P	24.000	22.500	1.100	22.500	0.250	0.047
SA24872334-124P	24.875	23.340	1.235	23.340	0.250	0.047
SA24872350-149P	24.875	23.500	1.485	23.500	0.250	0.047
SA25002300-149P	25.000	23.000	1.485	23.000	0.250	0.047
SA26002400-149P	26.000	24.000	1.485	24.000	0.250	0.047
SA27252525-174P	27.250	25.250	1.735	25.250	0.250	0.047
SA27752537-236P	27.750	25.375	2.360	25.375	0.250	0.047
SA27752575-149P	27.750	25.750	1.485	25.750	0.250	0.047
SA27752600-149P	27.750	26.000	1.485	26.000	0.250	0.047
SA28002600-149P	28.000	26.000	1.485	26.000	0.250	0.047
SA28502700-111P	28.500	27.000	1.110	27.000	0.250	0.047
SA29002700-149P	29.000	27.000	1.485	27.000	0.250	0.047
SA31503000-111P	31.500	30.000	1.110	30.000	0.250	0.047
SA32003000-149P	32.000	30.000	1.485	30.000	0.250	0.047
SA32253000-167P	32.250	30.000	1.672	30.000	0.250	0.047
SA34003200-149P	34.000	32.000	1.485	32.000	0.250	0.047
SA39503800-111P	39.500	38.000	1.110	38.000	0.250	0.047
SA40003800-149P	40.000	38.000	1.485	38.000	0.250	0.047

Fluid Power

The Hydraulic Seal Specialists

SA-EI

Metric **S**ingle **A**cting Rod Seal with Anti-**E**xtrusion Ring **I**nside Working



Maximum Diametrical Clearance F

Pressure	Bar	100	200	300	400
Maximum Gap	mm	0.80	0.60	0.48	0.40

Tolerances

ØD1	Ød1	ØG	L1
Js11	f8	H9	+0.40/ +0.60

Operating Conditions

Max Speed	Temp Range
m/s	-30° to 100°C
0.50	250 Bar
0.15	400 Bar

SA-EI is designed for use as a single acting rod seal. The seal consists of a precision moulded Nitrile rubber sealing element with a fabric reinforced base and an acetal back-up ring to help prevent extrusion. Designed with initial radial interference to effect low pressure sealing, at higher pressures the seal is energised thus increasing the sealing force. The rubberised fabric also retains some of the sealing media which helps reduce friction and wear.

Fluid Power

The Hydraulic Seal Specialists



SA-EI

Metric **S**ingle **A**cting Rod Seal with Anti-**E**xtrusion Ring **I**nside Working

Part Number	*ØD1	*Ød1	*L1	*ØG	min	max
					C	R ₁
SA16-8-6EI	16.00	8.00	6.00	8.00	4.00	0.20
SA18-8-18.2EI	18.00	8.00	18.20	8.00	4.00	0.40
SA20-10-18.2EI	20.00	10.00	18.20	10.00	4.00	0.40
SA22-12-18.2EI	22.00	12.00	18.20	12.00	4.00	0.40
SA22-14-6EI	22.00	14.00	6.00	14.00	4.00	0.30
SA23-12-7EI	23.00	12.00	7.00	12.00	4.00	0.40
SA23-12-7.4EI	23.00	12.00	7.40	12.00	4.00	0.40
SA23-15-6.2EI	23.00	15.00	6.20	15.00	4.00	0.40
SA24-14-18.2EI	24.00	14.00	18.20	14.00	4.00	0.40
SA24-16-5.8EI	24.00	16.00	5.80	16.00	4.00	0.20
SA24-16-6.5EI	24.00	16.00	6.50	16.00	4.00	0.20
SA25-15-18.2EI	25.00	15.00	18.20	15.00	4.00	0.40
SA25-18-5.5EI	25.00	18.00	5.50	18.00	4.00	0.20
SA25-18-6.5EI	25.00	18.00	6.50	18.00	4.00	0.20
SA26-16-8EI	26.00	16.00	8.00	16.00	4.00	0.40
SA26-16-18.2EI	26.00	16.00	18.20	16.00	4.00	0.40
SA26-18-6EI	26.00	18.00	6.00	18.00	4.00	0.40
SA26-18-6.5EI	26.00	18.00	6.50	18.00	4.00	0.40
SA27-15-6.5EI	27.00	15.00	6.50	15.00	4.00	0.20
SA27-20-6EI	27.00	20.00	6.00	20.00	4.00	0.20
SA28-16-7EI	28.00	16.00	7.00	16.00	4.00	0.20
SA28-18-5.8EI	28.00	18.00	5.80	18.00	4.00	0.20
SA28-18-6.5EI	28.00	18.00	6.50	18.00	4.00	0.20
SA28-18-10.5EI	28.00	18.00	10.50	18.00	4.00	0.20
SA28-18-18.2EI	28.00	18.00	18.20	18.00	4.00	0.40
SA28-20-5.8EI	28.00	20.00	5.80	20.00	4.00	0.20
SA28-20-6.5EI	28.00	20.00	6.50	20.00	4.00	0.20
SA30-18-7EI	30.00	18.00	7.00	18.00	4.00	0.40
SA30-20-8EI	30.00	20.00	8.00	20.00	4.00	0.40
SA30-20-18.2EI	30.00	20.00	18.20	20.00	4.00	0.40
SA30-22-6.5EI	30.00	22.00	6.50	22.00	4.00	0.20
SA32-20-9EI	32.00	20.00	9.00	20.00	4.00	0.40
SA32-20-9.5EI	32.00	20.00	9.50	20.00	4.00	0.40
SA32-20-10EI	32.00	20.00	10.00	20.00	4.00	0.40
SA32-22-9.5EI	32.00	22.00	9.50	22.00	4.00	0.40
SA32-22-10EI	32.00	22.00	10.00	22.00	4.00	0.40
SA32-22-18.2EI	32.00	22.00	18.20	22.00	4.00	0.40
SA33-25-6EI	33.00	25.00	6.00	25.00	4.00	0.20
SA33-25-6.5EI	33.00	25.00	6.50	25.00	4.00	0.20
SA33-25-7EI	33.00	25.00	7.00	25.00	4.00	0.20

Fluid Power

The Hydraulic Seal Specialists

SA-EI

Metric **S**ingle **A**cting Rod Seal with Anti-**E**xtrusion Ring **I**nside Working

Part Number	*ØD1	*Ød1	*L1	*ØG	min	max
					C	R ₁
SA34-22-7EI	34.00	22.00	7.00	22.00	4.00	0.40
SA34-22-9EI	34.00	22.00	9.00	22.00	4.00	0.40
SA35-20-11EI	35.00	20.00	11.00	20.00	4.00	0.80
SA35-22-9.5EI	35.00	22.00	9.50	22.00	4.00	0.40
SA35-25-7.5EI	35.00	25.00	7.50	25.00	4.00	0.20
SA35-25-8EI	35.00	25.00	8.00	25.00	4.00	0.20
SA35-25-8.5EI	35.00	25.00	8.50	25.00	4.00	0.20
SA36-28-6EI	36.00	28.00	6.00	28.00	4.00	0.20
SA37-25-9EI	37.00	25.00	9.20	25.00	4.00	0.40
SA37-25-10EI	37.00	25.00	10.00	25.00	4.00	0.40
SA37-25-22.2EI	37.00	25.00	22.20	25.00	4.00	0.40
SA38-25-9EI	38.00	25.00	9.10	25.00	4.00	0.40
SA38-25-9.5EI	38.00	25.00	9.50	25.00	4.00	0.40
SA38-25-10EI	38.00	25.00	10.00	25.00	4.00	0.40
SA38-28-7.5EI	38.00	28.00	7.50	28.00	4.00	0.40
SA38-28-8EI	38.00	28.00	8.00	28.00	4.00	0.40
SA38-30-6EI	38.00	30.00	6.00	30.00	4.00	0.20
SA38-30-8EI	38.00	30.00	8.00	30.00	4.00	0.20
SA40-28-8.5EI	40.00	28.00	8.50	28.00	4.00	0.40
SA40-28-9EI	40.00	28.00	9.00	28.00	4.00	0.40
SA40-28-22.2EI	40.00	28.00	22.20	28.00	4.00	0.40
SA40-30-7EI	40.00	30.00	7.00	30.00	4.00	0.40
SA40-30-8EI	40.00	30.00	8.00	30.00	4.00	0.40
SA40-30-8.5EI	40.00	30.00	8.50	30.00	4.00	0.40
SA40-30-10EI	40.00	30.00	10.00	30.00	4.00	0.40
SA40-30-10.5EI	40.00	30.00	10.50	30.00	4.00	0.40
SA40-32-5.5EI	40.00	32.00	5.50	32.00	4.00	0.20
SA40-32-6EI	40.00	32.00	6.00	32.00	4.00	0.20
SA40-32-8EI	40.00	32.00	8.00	32.00	4.00	0.20
SA40-32-8.5EI	40.00	32.00	8.50	32.00	4.00	0.20
SA41-28-9.5EI	41.00	28.00	9.50	28.00	4.00	0.40
SA42-30-9EI	42.00	30.00	9.20	30.00	4.00	0.40
SA42-30-10EI	42.00	30.00	10.00	30.00	4.00	0.40
SA42-30-22.2EI	42.00	30.00	22.20	30.00	4.00	0.40
SA42-32-7.5EI	42.00	32.00	7.50	32.00	4.00	0.40
SA42-32-8EI	42.00	32.00	8.00	32.00	4.00	0.40
SA42-32-10EI	42.00	32.00	10.00	32.00	4.00	0.30
SA42-32-10.5EI	42.00	32.00	10.50	32.00	4.00	0.30
SA43-35-6EI	43.00	35.00	6.00	35.00	4.00	0.20
SA43-36-6EI	43.00	36.00	6.00	36.00	4.00	0.20

* Nominal Dimensions

Fluid Power

The Hydraulic Seal Specialists



SA-EI

Metric **S**ingle **A**cting Rod Seal with Anti-**E**xtrusion Ring **I**nside Working

Part Number	*ØD1	*Ød1	*L1	*ØG	min	max
					C	R ₁
SA44-32-9EI	44.00	32.00	9.20	32.00	4.00	0.40
SA44-32-11EI	44.00	32.00	11.00	32.00	4.00	0.40
SA44-32-11.5EI	44.00	32.00	11.50	32.00	4.00	0.40
SA44-32-22.2EI	44.00	32.00	22.20	32.00	4.00	0.40
SA44-35-9.5EI	44.00	35.00	9.50	35.00	4.00	0.40
SA44-36-6EI	44.00	36.00	6.00	36.00	4.00	0.40
SA45-30-8.5EI	45.00	30.00	8.50	30.00	4.00	0.80
SA45-30-9EI	45.00	30.00	9.00	30.00	4.00	0.80
SA45-30-10.5EI	45.00	30.00	10.50	30.00	4.00	0.80
SA45-32-9EI	45.00	32.00	9.00	32.00	4.00	0.40
SA45-32-9.5EI	45.00	32.00	9.50	32.00	4.00	0.40
SA45-32-10EI	45.00	32.00	10.00	32.00	4.00	0.40
SA45-35-6.5EI	45.00	35.00	6.50	35.00	4.00	0.40
SA45-35-7.5EI	45.00	35.00	7.50	35.00	4.00	0.40
SA45-35-8.5EI	45.00	35.00	8.50	35.00	4.00	0.40
SA45-35-9.5EI	45.00	35.00	9.50	35.00	4.00	0.40
SA45-35-10EI	45.00	35.00	10.00	35.00	4.00	0.40
SA45-35-10.5EI	45.00	35.00	10.50	35.00	4.00	0.40
SA45-38-6EI	45.00	38.00	6.00	38.00	4.00	0.20
SA46-32-10EI	46.00	32.00	10.00	32.00	4.00	0.40
SA46-36-7.5EI	46.00	36.00	7.50	36.00	4.00	0.40
SA46-36-8EI	46.00	36.00	8.00	36.00	4.00	0.40
SA47-35-9EI	47.00	35.00	9.20	35.00	4.00	0.40
SA47-35-22.2EI	47.00	35.00	22.20	35.00	4.00	0.40
SA48-36-9EI	48.00	36.00	9.00	36.00	4.00	0.40
SA48-36-11.5EI	48.00	36.00	11.50	36.00	4.00	0.40
SA48-36-22.2EI	48.00	36.00	22.20	36.00	4.00	0.40
SA48-40-6EI	48.00	40.00	6.00	40.00	4.00	0.20
SA48-40-8EI	48.00	40.00	8.00	40.00	4.00	0.20
SA50-30-13.5EI	50.00	30.00	13.60	30.00	5.00	1.20
SA50-30-14EI	50.00	30.00	14.00	30.00	4.00	0.80
SA50-35-10EI	50.00	35.00	10.10	35.00	4.00	1.20
SA50-35-10.5EI	50.00	35.00	10.50	35.00	4.00	0.80
SA50-35-11EI	50.00	35.00	11.00	35.00	4.00	0.80
SA50-35-11.5EI	50.00	35.00	11.50	35.00	4.00	0.80
SA50-40-7.5EI	50.00	40.00	7.50	40.00	4.00	0.40
SA50-40-9.5EI	50.00	40.00	9.50	40.00	4.00	0.40
SA50-40-10EI	50.00	40.00	10.00	40.00	4.00	0.40
SA50-40-10.5EI	50.00	40.00	10.50	40.00	4.00	0.40
SA50-40-11EI	50.00	40.00	11.00	40.00	4.00	0.40

Fluid Power

The Hydraulic Seal Specialists

SA-EI

Metric **S**ingle **A**cting Rod Seal with Anti-**E**xtrusion Ring **I**nside Working

Part Number	*ØD1	*Ød1	*L1	*ØG	min	max
					C	R ₁
SA50-40-13EI	50.00	40.00	13.00	40.00	4.00	0.40
SA52-40-9EI	52.00	40.00	9.00	40.00	4.00	0.40
SA52-40-10.5EI	52.00	40.00	10.50	40.00	4.00	0.40
SA52-40-22.2EI	52.00	40.00	22.20	40.00	4.00	0.40
SA52-42-8.5EI	52.00	42.00	8.50	42.00	4.00	0.30
SA53-45-8EI	53.00	45.00	8.00	45.00	4.00	0.20
SA53-45-10.5EI	53.00	45.00	10.50	45.00	4.00	0.20
SA54-42-9EI	54.00	42.00	9.00	42.00	4.00	0.20
SA54-42-22.2EI	54.00	42.00	22.20	42.00	4.00	0.40
SA55-38-10.5EI	55.00	38.00	10.50	38.00	4.00	0.80
SA55-40-7EI	55.00	40.00	7.00	40.00	4.00	0.80
SA55-40-7.5EI	55.00	40.00	7.50	40.00	4.00	0.80
SA55-40-8EI	55.00	40.00	8.00	40.00	4.00	0.80
SA55-40-10EI	55.00	40.00	10.10	40.00	4.00	1.20
SA55-40-10.5EI	55.00	40.00	10.50	40.00	4.00	0.80
SA55-40-11.5EI	55.00	40.00	11.50	40.00	4.00	0.80
SA55-45-7.5EI	55.00	45.00	7.50	45.00	4.00	0.40
SA55-45-8EI	55.00	45.00	8.00	45.00	4.00	0.40
SA55-45-10EI	55.00	45.00	10.10	45.00	4.00	0.80
SA55-45-10.5EI	55.00	45.00	10.50	45.00	4.00	0.40
SA55-45-11EI	55.00	45.00	11.00	45.00	4.00	0.40
SA57-45-9.5EI	57.00	45.00	9.50	45.00	4.00	0.40
SA57-45-10EI	57.00	45.00	10.00	45.00	4.00	0.40
SA60-40-10EI	60.00	40.00	10.00	40.00	5.00	0.80
SA60-40-10.5EI	60.00	40.00	10.50	40.00	5.00	0.80
SA60-40-11EI	60.00	40.00	11.00	40.00	5.00	0.80
SA60-40-13.5EI	60.00	40.00	13.60	40.00	5.00	1.20
SA60-40-14EI	60.00	40.00	14.00	40.00	5.00	0.80
SA60-45-10EI	60.00	45.00	10.00	45.00	5.00	0.40
SA60-45-10.5EI	60.00	45.00	10.50	45.00	5.00	0.40
SA60-45-11EI	60.00	45.00	11.00	45.00	5.00	0.40
SA60-45-11.5EI	60.00	45.00	11.60	45.00	5.00	0.40
SA60-45-22.2EI	60.00	45.00	22.20	45.00	5.00	0.40
SA60-48-6.5EI	60.00	48.00	6.50	48.00	5.00	0.40
SA60-48-10.5EI	60.00	48.00	10.50	48.00	5.00	0.40
SA60-50-7.5EI	60.00	50.00	7.50	50.00	5.00	0.40
SA60-50-9.5EI	60.00	50.00	9.50	50.00	5.00	0.40
SA60-50-10EI	60.00	50.00	10.00	50.00	5.00	0.40
SA60-50-10.5EI	60.00	50.00	10.50	50.00	5.00	0.40
SA60-50-11EI	60.00	50.00	11.00	50.00	5.00	0.40

* Nominal Dimensions

Fluid Power

The Hydraulic Seal Specialists



SA-EI

Metric **S**ingle **A**cting Rod Seal with Anti-**E**xtrusion Ring **I**nside Working

Part Number	*ØD1	*Ød1	*L1	*ØG	min	max
					C	R ₁
SA60-50-14EI	60.00	50.00	14.00	50.00	5.00	0.40
SA62-50-9EI	62.00	50.00	9.00	50.00	5.00	0.40
SA62-50-9.5EI	62.00	50.00	9.50	50.00	5.00	0.40
SA62-50-10EI	62.00	50.00	10.00	50.00	5.00	0.40
SA63-45-10.5EI	63.00	45.00	10.50	45.00	5.00	0.80
SA65-45-14EI	65.00	45.00	14.00	45.00	5.00	0.80
SA65-45-14.5EI	65.00	45.00	14.50	45.00	5.00	0.80
SA65-50-10EI	65.00	50.00	10.00	50.00	5.00	0.80
SA65-50-10.5EI	65.00	50.00	10.50	50.00	5.00	0.80
SA65-50-11EI	65.00	50.00	11.00	50.00	5.00	0.80
SA65-50-11.5EI	65.00	50.00	11.60	50.00	5.00	0.80
SA65-50-15.5EI	65.00	50.00	15.60	50.00	5.00	0.80
SA65-50-22.2EI	65.00	50.00	22.20	50.00	5.00	0.80
SA65-55-7.5EI	65.00	55.00	7.50	55.00	5.00	0.40
SA65-55-10EI	65.00	55.00	10.00	55.00	5.00	0.40
SA65-55-10.5EI	65.00	55.00	10.50	55.00	5.00	0.40
SA65-55-11EI	65.00	55.00	11.00	55.00	5.00	0.40
SA65-55-12.5EI	65.00	55.00	12.50	55.00	5.00	0.40
SA65-55-13EI	65.00	55.00	13.00	55.00	5.00	0.40
SA66-54-9EI	66.00	54.00	9.00	54.00	5.00	0.40
SA66-56-7EI	66.00	56.00	7.00	56.00	5.00	0.40
SA66-56-10EI	66.00	56.00	10.00	56.00	5.00	0.40
SA66-56-10.5EI	66.00	56.00	10.50	56.00	5.00	0.40
SA69.5-60-6.5EI	69.50	60.00	6.50	60.00	5.00	0.30
SA70-50-10EI	70.00	50.00	10.00	50.00	5.00	0.80
SA70-50-14EI	70.00	50.00	14.00	50.00	5.00	0.80
SA70-50-14.5EI	70.00	50.00	14.50	50.00	5.00	0.80
SA70-55-10EI	70.00	55.00	10.00	55.00	5.00	0.80
SA70-55-11.5EI	70.00	55.00	11.60	55.00	5.00	0.80
SA70-55-22.2EI	70.00	55.00	22.20	55.00	5.00	0.80
SA70-60-7.5EI	70.00	60.00	7.50	60.00	5.00	0.40
SA70-60-8EI	70.00	60.00	8.00	60.00	5.00	0.40
SA70-60-9EI	70.00	60.00	9.00	60.00	5.00	0.40
SA70-60-9.5EI	70.00	60.00	9.50	60.00	5.00	0.40
SA70-60-10.5EI	70.00	60.00	10.50	60.00	5.00	0.40
SA70-60-12EI	70.00	60.00	12.10	60.00	5.00	0.80
SA70-60-12.5EI	70.00	60.00	12.50	60.00	5.00	0.40
SA70-60-13EI	70.00	60.00	13.00	60.00	5.00	0.40
SA70-60-18.2EI	70.00	60.00	18.20	60.00	5.00	0.40
SA71-56-10EI	71.00	56.00	10.00	56.00	5.00	0.80

Fluid Power

The Hydraulic Seal Specialists

SA-EI

Metric **S**ingle **A**cting Rod Seal with Anti-**E**xtrusion Ring **I**nside Working

Part Number	*ØD1	*Ød1	*L1	*ØG	min	max
					C	R ₁
SA71-56-10.5EI	71.00	56.00	10.50	56.00	5.00	0.80
SA71-56-11EI	71.00	56.00	11.00	56.00	5.00	0.80
SA71-56-11.5EI	71.00	56.00	11.60	56.00	5.00	0.80
SA71-56-12EI	71.00	56.00	12.00	56.00	5.00	0.80
SA71-56-22.2EI	71.00	56.00	22.20	56.00	5.00	0.80
SA72-60-9.5EI	72.00	60.00	9.50	60.00	5.00	0.40
SA73-63-12EI	73.00	63.00	12.00	63.00	5.00	0.40
SA75-55-13.5EI	75.00	55.00	13.60	55.00	5.00	0.80
SA75-55-14EI	75.00	55.00	14.00	55.00	5.00	0.80
SA75-60-11.5EI	75.00	60.00	11.60	60.00	5.00	0.80
SA75-60-12.5EI	75.00	60.00	12.50	60.00	5.00	0.80
SA75-60-13EI	75.00	60.00	13.00	60.00	5.00	0.80
SA75-60-22.2EI	75.00	60.00	22.20	60.00	5.00	0.80
SA75-63-10EI	75.00	63.00	10.00	63.00	5.00	0.40
SA75-63-10.5EI	75.00	63.00	10.50	63.00	5.00	0.40
SA75-65-12.5EI	75.00	65.00	12.60	65.00	5.00	0.80
SA75-65-13EI	75.00	65.00	13.00	65.00	5.00	0.40
SA76-56-14EI	76.00	56.00	14.00	56.00	5.00	0.80
SA76-56-14.5EI	76.00	56.00	14.50	56.00	5.00	0.80
SA77-65-9EI	77.00	65.00	9.00	65.00	5.00	0.80
SA78-63-10EI	78.00	63.00	10.00	63.00	5.00	0.80
SA78-63-12EI	78.00	63.00	12.00	63.00	5.00	0.80
SA78-63-22.2EI	78.00	63.00	22.20	63.00	5.00	0.80
SA80-60-12EI	80.00	60.00	12.00	60.00	5.00	0.80
SA80-60-13.5EI	80.00	60.00	13.60	60.00	5.00	1.60
SA80-60-14EI	80.00	60.00	14.00	60.00	5.00	0.80
SA80-60-18EI	80.00	60.00	18.00	60.00	5.00	0.80
SA80-65-11EI	80.00	65.00	11.00	65.00	5.00	0.80
SA80-65-11.5EI	80.00	65.00	11.60	65.00	5.00	1.20
SA80-65-12EI	80.00	65.00	12.00	65.00	5.00	0.80
SA80-65-22.2EI	80.00	65.00	22.20	65.00	5.00	0.80
SA80-70-7.5EI	80.00	70.00	7.50	70.00	5.00	0.40
SA80-70-12.5EI	80.00	70.00	12.50	70.00	5.00	0.40
SA82-70-9EI	82.00	70.00	9.00	70.00	5.00	0.40
SA82-70-10EI	82.00	70.00	10.00	70.00	5.00	0.40
SA83-63-14EI	83.00	63.00	14.00	63.00	5.00	0.80
SA83-63-14.5EI	83.00	63.00	14.50	63.00	5.00	0.80
SA83-63-15.5EI	83.00	63.00	15.60	63.00	5.00	0.80
SA84-70-12EI	84.00	70.00	12.00	70.00	5.00	0.40
SA85-65-13.5EI	85.00	65.00	13.60	65.00	5.00	1.20

* Nominal Dimensions

Fluid Power

The Hydraulic Seal Specialists



SA-EI

Metric **S**ingle **A**cting Rod Seal with Anti-**E**xtrusion Ring **I**nside Working

Part Number	*ØD1	*Ød1	*L1	*ØG	min	max
					C	R ₁
SA85-65-14EI	85.00	65.00	14.00	65.00	5.00	0.80
SA85-65-14.5EI	85.00	65.00	14.50	65.00	5.00	0.80
SA85-65-15.5EI	85.00	65.00	15.60	65.00	5.00	0.80
SA85-68-12.5EI	85.00	68.00	12.60	68.00	5.00	1.20
SA85-70-10EI	85.00	70.00	10.00	70.00	5.00	0.80
SA85-70-11.5EI	85.00	70.00	11.50	70.00	5.00	0.80
SA85-70-12EI	85.00	70.00	12.00	70.00	5.00	0.80
SA85-70-12.5EI	85.00	70.00	12.50	70.00	5.00	0.80
SA85-70-22.2EI	85.00	70.00	22.20	70.00	5.00	0.80
SA85-75-10EI	85.00	75.00	10.10	75.00	5.00	0.80
SA85-75-10.5EI	85.00	75.00	10.50	75.00	5.00	0.40
SA85-75-12EI	85.00	75.00	12.00	75.00	5.00	0.40
SA85-75-12.5EI	85.00	75.00	12.50	75.00	5.00	0.40
SA86-78-9EI	86.00	78.00	9.00	78.00	5.00	0.20
SA87-72-10.5EI	87.00	72.00	10.50	72.00	5.00	0.40
SA87-75-9EI	87.00	75.00	9.00	75.00	5.00	0.40
SA88-80-12EI	88.00	80.00	12.00	80.00	5.00	0.20
SA90-70-11.5EI	90.00	70.00	11.50	70.00	5.00	0.80
SA90-70-13.5EI	90.00	70.00	13.60	70.00	5.00	1.20
SA90-70-14EI	90.00	70.00	14.00	70.00	5.00	0.80
SA90-70-14.5EI	90.00	70.00	14.50	70.00	5.00	0.80
SA90-70-15.5EI	90.00	70.00	15.60	70.00	5.00	0.80
SA90-75-11EI	90.00	75.00	11.00	75.00	5.00	0.80
SA90-75-12EI	90.00	75.00	12.00	75.00	5.00	0.80
SA90-75-22.2EI	90.00	75.00	22.20	75.00	5.00	0.80
SA90-78-12EI	90.00	78.00	12.00	78.00	5.00	0.40
SA90-80-10.5EI	90.00	80.00	10.50	80.00	5.00	0.40
SA90-80-12EI	90.00	80.00	12.00	80.00	5.00	0.40
SA90-80-12.5EI	90.00	80.00	12.50	80.00	5.00	0.40
SA92-80-9EI	92.00	80.00	9.00	80.00	5.00	0.40
SA93-80-14EI	93.00	80.00	14.00	80.00	5.00	0.30
SA95-75-13.5EI	95.00	75.00	13.60	75.00	5.00	1.20
SA95-75-14EI	95.00	75.00	14.00	75.00	5.00	0.80
SA95-80-10EI	95.00	80.00	10.00	80.00	5.00	0.80
SA95-80-11.5EI	95.00	80.00	11.50	80.00	5.00	0.80
SA95-80-12EI	95.00	80.00	12.00	80.00	5.00	0.80
SA95-80-12.5EI	95.00	80.00	12.50	80.00	5.00	0.80
SA95-80-22.2EI	95.00	80.00	22.20	80.00	5.00	0.80
SA95-85-7.5EI	95.00	85.00	7.50	85.00	5.00	0.40
SA96-80-10EI	96.00	80.00	10.00	80.00	5.00	0.80

Fluid Power

The Hydraulic Seal Specialists

SA-EI

Metric **S**ingle **A**cting Rod Seal with Anti-**E**xtrusion Ring **I**nside Working

Part Number	*ØD1	*Ød1	*L1	*ØG	min	max
					C	R ₁
SA97-85-9EI	97.00	85.00	9.00	85.00	5.00	0.40
SA100-80-11.5EI	100.00	80.00	11.50	80.00	5.00	0.80
SA100-80-12EI	100.00	80.00	12.00	80.00	5.00	0.80
SA100-80-13.5EI	100.00	80.00	13.60	80.00	5.00	1.20
SA100-80-14EI	100.00	80.00	14.00	80.00	5.00	0.80
SA100-80-14.5EI	100.00	80.00	14.50	80.00	5.00	0.80
SA100-80-15.5EI	100.00	80.00	15.60	80.00	5.00	0.80
SA100-85-11.5EI	100.00	85.00	11.50	85.00	5.00	0.80
SA100-85-12EI	100.00	85.00	12.00	85.00	5.00	0.80
SA100-85-12.5EI	100.00	85.00	12.50	85.00	5.00	0.80
SA100-85-22.2EI	100.00	85.00	22.20	85.00	5.00	0.80
SA100-90-10EI	100.00	90.00	10.00	90.00	5.00	0.40
SA100-90-10.5EI	100.00	90.00	10.50	90.00	5.00	0.40
SA102-90-9EI	102.00	90.00	9.00	90.00	5.00	0.40
SA104.5-85-12.5EI	104.50	85.00	12.50	85.00	5.00	0.80
SA105-85-12.5EI	105.00	85.00	12.50	85.00	5.00	0.80
SA105-85-14.3EI	105.00	85.00	14.30	85.00	5.00	0.80
SA105-85-15.5EI	105.00	85.00	15.60	85.00	5.00	0.80
SA105-90-9EI	105.00	90.00	9.00	90.00	5.00	0.80
SA105-90-12EI	105.00	90.00	12.00	90.00	5.00	0.80
SA105-90-22.2EI	105.00	90.00	22.20	90.00	5.00	0.80
SA105-95-10.5EI	105.00	95.00	10.50	95.00	5.00	0.40
SA106.2-90-10.3EI	106.20	90.00	10.30	90.00	5.00	0.40
SA107-95-12EI	107.00	95.00	12.00	95.00	5.00	0.40
SA110-89.5-13EI	110.00	89.50	13.00	89.50	5.00	0.80
SA110-90-11.5EI	110.00	90.00	11.50	90.00	5.00	0.80
SA110-90-12EI	110.00	90.00	12.00	90.00	5.00	0.80
SA110-90-12.5EI	110.00	90.00	12.50	90.00	5.00	0.80
SA110-90-14EI	110.00	90.00	14.00	90.00	5.00	0.80
SA110-90-15.5EI	110.00	90.00	15.60	90.00	5.00	0.80
SA110-95-12EI	110.00	95.00	12.00	95.00	5.00	0.30
SA110-100-11EI	110.00	100.00	11.00	100.00	5.00	0.40
SA112-95-11.5EI	112.00	95.00	11.50	95.00	5.00	0.40
SA113-100-13EI	113.00	100.00	13.00	100.00	5.00	0.40
SA115-95-13.5EI	115.00	95.00	13.60	95.00	5.00	1.20
SA115-95-14EI	115.00	95.00	14.00	95.00	5.00	0.80
SA115-100-11EI	115.00	100.00	11.00	100.00	5.00	0.40
SA115-100-11.5EI	115.00	100.00	11.50	100.00	5.00	0.40
SA115-100-12EI	115.00	100.00	12.00	100.00	5.00	0.40
SA115-100-29.7EI	115.00	100.00	29.70	100.00	5.00	0.40

* Nominal Dimensions

Fluid Power

The Hydraulic Seal Specialists



SA-EI

Metric **S**ingle **A**cting Rod Seal with Anti-**E**xtrusion Ring **I**nside Working

Part Number	*ØD1	*Ød1	*L1	*ØG	min	max
					C	R ₁
SA115-105-10.5EI	115.00	105.00	10.50	105.00	5.00	0.40
SA115-95-14EI	115.00	95.00	14.00	95.00	5.00	0.80
SA117-104-11.5EI	117.00	104.00	11.60	104.00	5.00	1.20
SA120-100-11.5EI	120.00	100.00	11.50	100.00	6.50	0.80
SA120-100-13.5EI	120.00	100.00	13.60	100.00	6.50	1.20
SA120-100-14EI	120.00	100.00	14.00	100.00	6.50	0.80
SA120-100-14.5EI	120.00	100.00	14.50	100.00	6.50	0.80
SA120-100-15.5EI	120.00	100.00	15.50	100.00	6.50	1.20
SA120-105-11.5EI	120.00	105.00	11.50	105.00	6.50	0.80
SA120-105-13EI	120.00	105.00	13.00	105.00	6.50	0.80
SA120-105-15EI	120.00	105.00	15.00	105.00	6.50	0.80
SA120-110-10.5EI	120.00	110.00	10.50	110.00	6.50	0.80
SA124-110-9EI	124.00	110.00	9.00	110.00	6.50	0.80
SA125-100-14EI	125.00	100.00	14.00	100.00	6.50	0.80
SA125-100-19.6EI	125.00	100.00	19.60	100.00	7.50	0.80
SA125-105-12EI	125.00	105.00	12.00	105.00	6.50	0.80
SA125-105-14EI	125.00	105.00	14.00	105.00	6.50	0.80
SA125-110-11EI	125.00	110.00	11.00	110.00	6.50	0.80
SA125-110-11.5EI	125.00	110.00	11.50	110.00	6.50	0.80
SA125-110-29.7EI	125.00	110.00	29.70	110.00	6.50	0.80
SA130-110-10EI	130.00	110.00	10.00	110.00	6.50	0.80
SA130-110-12EI	130.00	110.00	12.00	110.00	6.50	0.80
SA130-110-12.5EI	130.00	110.00	12.50	110.00	6.50	0.80
SA130-110-15EI	130.00	110.00	15.00	110.00	6.50	0.80
SA130-110-15.5EI	130.00	110.00	15.50	110.00	6.50	1.20
SA130-115-10EI	130.00	115.00	10.00	115.00	6.50	0.80
SA130-115-11EI	130.00	115.00	11.00	115.00	6.50	0.80
SA130-115-29.7EI	130.00	115.00	29.70	115.00	6.50	0.80
SA130-120-10EI	130.00	120.00	10.10	120.00	6.50	0.80
SA130-120-10.5EI	130.00	120.00	10.50	120.00	6.50	0.40
SA130-120-12EI	130.00	120.00	12.00	120.00	6.50	0.40
SA130-120-12.5EI	130.00	120.00	12.50	120.00	6.50	0.40
SA135-110-14.5EI	135.00	110.00	14.50	110.00	6.50	0.80
SA135-110-15EI	135.00	110.00	15.00	110.00	6.50	0.80
SA135-110-19.6EI	135.00	110.00	19.60	110.00	7.50	0.80
SA135-115-14EI	135.00	115.00	14.00	115.00	6.50	0.80
SA135-115-15EI	135.00	115.00	15.00	115.00	6.50	0.80
SA135-115-15.5EI	135.00	115.00	15.50	115.00	6.50	0.80
SA135-120-12EI	135.00	120.00	12.00	120.00	6.50	0.30
SA140-115-19.6EI	140.00	115.00	19.60	115.00	7.50	0.80

Fluid Power

The Hydraulic Seal Specialists

SA-EI

Metric **S**ingle **A**cting Rod Seal with Anti-**E**xtrusion Ring **I**nside Working

Part Number	*ØD1	*Ød1	*L1	*ØG	min	max
					C	R ₁
SA140-120-12EI	140.00	120.00	12.00	120.00	6.50	0.80
SA140-120-12.5EI	140.00	120.00	12.50	120.00	6.50	0.80
SA140-120-15.5EI	140.00	120.00	15.50	120.00	6.50	0.80
SA140-125-12EI	140.00	125.00	12.00	125.00	6.50	0.80
SA140-125-12.5EI	140.00	125.00	12.50	125.00	6.50	0.80
SA140-125-33.7EI	140.00	125.00	33.70	125.00	6.50	0.80
SA145-120-18.3EI	145.00	120.00	18.30	120.00	7.00	0.80
SA145-125-13.5EI	145.00	125.00	13.60	125.00	6.50	1.20
SA145-125-14EI	145.00	125.00	14.00	125.00	6.50	0.80
SA145-125-15.5EI	145.00	125.00	15.50	125.00	6.50	0.80
SA145-130-9EI	145.00	130.00	9.00	130.00	6.50	0.80
SA145-130-11.5EI	145.00	130.00	11.60	130.00	6.50	1.20
SA145-130-12.5EI	145.00	130.00	12.50	130.00	6.50	0.80
SA145-130-13EI	145.00	130.00	13.00	130.00	6.50	0.80
SA145-130-14.5EI	145.00	130.00	14.50	130.00	6.50	0.80
SA150-121.2-24EI	150.00	121.20	24.00	121.20	6.50	0.80
SA150-125-14EI	150.00	125.00	14.00	125.00	6.50	0.80
SA150-125-15EI	150.00	125.00	15.00	125.00	6.50	0.80
SA150-125-19.6EI	150.00	125.00	19.60	125.00	6.50	0.80
SA150-130-15EI	150.00	130.00	15.00	130.00	6.50	0.80
SA150-130-15.5EI	150.00	130.00	15.50	130.00	6.50	0.80
SA150-135-9EI	150.00	135.00	9.00	135.00	6.50	0.80
SA150-140-10.5EI	150.00	140.00	10.50	140.00	6.50	0.40
SA150-140-12.5EI	150.00	140.00	12.50	140.00	6.50	0.40
SA155-130-18.3EI	155.00	130.00	18.30	130.00	7.00	0.40
SA155-135-15.5EI	155.00	135.00	15.50	135.00	7.00	0.40
SA155-140-12.5EI	155.00	140.00	12.50	140.00	7.00	0.30
SA155-140-33.7EI	155.00	140.00	33.70	140.00	7.00	0.80
SA157.7-145-9.5EI	157.70	145.00	9.50	145.00	7.00	0.80
SA160-135-13.5EI	160.00	135.00	13.50	135.00	7.00	0.80
SA160-140-12EI	160.00	140.00	12.00	140.00	6.50	0.80
SA160-140-14EI	160.00	140.00	14.00	140.00	6.50	0.80
SA160-140-15.5EI	160.00	140.00	15.50	140.00	6.50	0.80
SA165-140-15EI	165.00	140.00	15.00	140.00	6.50	0.80
SA165-140-18.5EI	165.00	140.00	18.50	140.00	6.50	0.80
SA165-150-12.5EI	165.00	150.00	12.50	150.00	6.50	0.80
SA170-140-22.3EI	170.00	140.00	22.30	140.00	7.50	0.40
SA170-150-14EI	170.00	150.00	14.00	150.00	6.50	0.80
SA170-150-39.7EI	170.00	150.00	39.70	150.00	6.50	0.80
SA170-160-10.5EI	170.00	160.00	10.50	160.00	6.50	0.80

* Nominal Dimensions

Fluid Power

The Hydraulic Seal Specialists



SA-EI

Metric **S**ingle **A**cting Rod Seal with Anti-**E**xtrusion Ring **I**nside Working

Part Number	*ØD1	*Ød1	*L1	*ØG	min	max
					C	R ₁
SA175-155-19.5EI	175.00	155.00	19.60	155.00	6.50	1.20
SA175-160-16EI	175.00	160.00	16.00	160.00	6.50	0.80
SA180-150-23.6EI	180.00	150.00	23.60	150.00	8.00	0.80
SA180-160-14EI	180.00	160.00	14.00	160.00	8.00	0.80
SA180-160-14.5EI	180.00	160.00	14.50	160.00	8.00	1.20
SA180-160-15EI	180.00	160.00	15.00	160.00	8.00	0.80
SA180-160-39.7EI	180.00	160.00	39.70	160.00	8.00	0.80
SA182.7-170-9.5EI	182.70	170.00	9.50	170.00	8.00	0.40
SA182.7-170-10.5EI	182.70	170.00	10.50	170.00	8.00	0.40
SA185-160-15EI	185.00	160.00	15.00	160.00	8.00	0.80
SA185-160-18.5EI	185.00	160.00	18.50	160.00	8.00	0.80
SA185-160-19.5EI	185.00	160.00	19.50	160.00	8.00	1.20
SA185-165-15.5EI	185.00	165.00	15.50	165.00	8.00	0.80
SA190-160-23.6EI	190.00	160.00	23.60	160.00	8.00	0.80
SA194-170-22EI	194.00	170.00	22.00	170.00	8.00	0.80
SA195-180-12EI	195.00	180.00	12.00	180.00	8.00	0.80
SA200-170-22.2EI	200.00	170.00	22.20	170.00	7.50	1.60
SA200-175-22.5EI	200.00	175.00	22.50	175.00	10.00	0.40
SA200-180-14EI	200.00	180.00	14.00	180.00	8.00	0.80
SA200-180-39.7EI	200.00	180.00	39.70	180.00	8.00	0.80
SA205-180-19.5EI	205.00	180.00	19.50	180.00	8.00	1.60
SA208-198-11.5EI	208.00	198.00	11.50	198.00	10.00	0.40
SA210-180-20EI	210.00	180.00	20.00	180.00	10.00	0.40
SA210-180-23.6EI	210.00	180.00	23.60	180.00	8.00	0.80
SA210-190-14EI	210.00	190.00	14.00	190.00	8.00	0.80
SA210-190-14.5EI	210.00	190.00	14.50	190.00	8.00	0.80
SA219-195-22EI	219.00	195.00	22.00	195.00	8.00	0.80
SA220-200-14EI	220.00	200.00	14.00	200.00	8.00	0.80
SA220-200-39.7EI	220.00	200.00	39.70	200.00	8.00	0.80
SA220-205-12EI	220.00	205.00	12.00	205.00	8.00	0.80
SA225-200-19.5EI	225.00	200.00	19.50	200.00	8.00	1.60
SA225-205-14EI	225.00	205.00	14.00	205.00	8.00	0.80
SA230-200-23.6EI	230.00	200.00	23.60	200.00	8.00	0.80
SA230-210-14EI	230.00	210.00	14.00	210.00	8.00	0.80
SA240-210-22EI	240.00	210.00	22.00	210.00	10.00	0.40
SA245-220-15EI	245.00	220.00	15.00	220.00	8.00	0.80
SA249-225-22EI	249.00	225.00	22.00	225.00	8.00	0.80
SA250-220-20EI	250.00	220.00	20.00	220.00	10.00	0.40
SA250-220-24.5EI	250.00	220.00	24.50	220.00	10.00	2.40
SA255-235-14EI	255.00	235.00	14.00	235.00	8.00	0.80

Fluid **Power**

The Hydraulic Seal Specialists

SA-EIMetric **S**ingle **A**cting Rod Seal with Anti-**E**xtrusion Ring **I**nside Working

Part Number	*ØD1	*Ød1	*L1	*ØG	min	max
					C	R ₁
SA260-230-20EI	260.00	230.00	20.00	230.00	10.00	0.40
SA280-250-24.5EI	280.00	250.00	24.50	250.00	8.00	2.40
SA540-500-34EI	540.00	500.00	34.50	500.00	10.00	0.40

* Nominal Dimensions

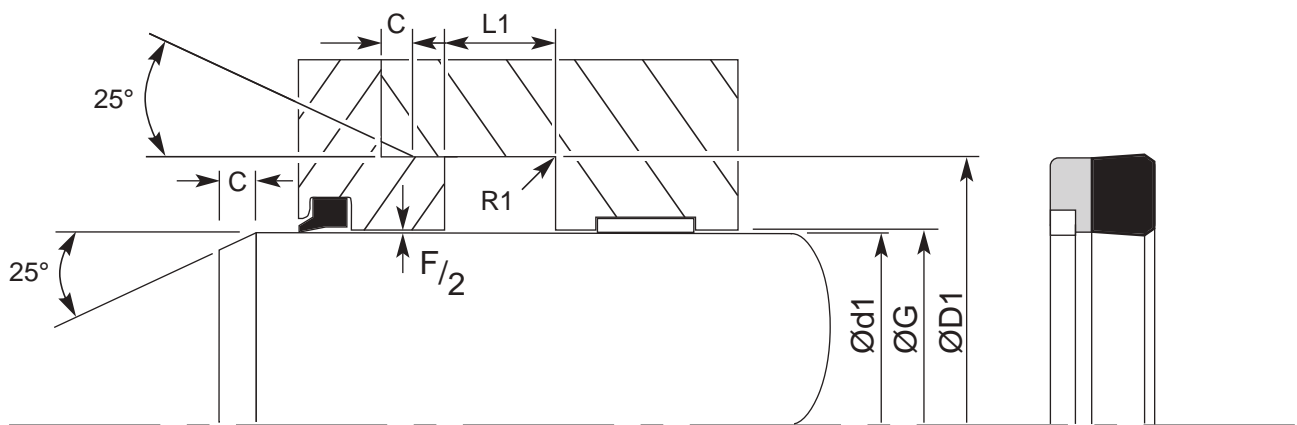
Fluid Power

The Hydraulic Seal Specialists



SA-EI

Imperial **S**ingle **A**cting Rod Seal with Anti-**E**xtrusion Ring **I**nside Working



Maximum Diametrical Clearance F

Pressure	Bar	100	200	300	400
Maximum Gap	Inch	0.031	0.024	0.020	0.016

Tolerances

ØD1	Ød1	ØG	L1
Js11	f8	H9	+0.015"/ +0.025"

Operating Conditions

Max Speed	Temp Range
m/s	-30° to 100°C
0.50	250 Bar
0.15	400 Bar

SA-EI is designed for use as a single acting rod seal. The seal consists of a precision moulded Nitrile rubber sealing element with a fabric reinforced base and an acetal back-up ring to help prevent extrusion. Designed with initial radial interference to effect low pressure sealing, at higher pressures the seal is energised thus increasing the sealing force. The rubberised fabric also retains some of the sealing media which helps reduce friction and wear.

Fluid Power

The Hydraulic Seal Specialists

SA-EI

Imperial **S**ingle **A**cting Rod Seal with Anti-**E**xtrusion Ring **I**nside Working

Part Number	*ØD1	*Ød1	*L1	*ØG	min	max
					C	R1
SA062037-025EI	0.625	0.375	0.250	0.375	0.156	0.010
SA100062-028EI	1.000	0.625	0.281	0.625	0.156	0.010
SA109075-028EI	1.093	0.750	0.281	0.750	0.156	0.010
SA112075-031EI	1.125	0.750	0.312	0.750	0.156	0.010
SA125075-031EI	1.250	0.750	0.312	0.750	0.156	0.016
SA125100-018EI	1.250	1.000	0.187	1.000	0.156	0.010
SA125100-025EI	1.250	1.000	0.250	1.000	0.156	0.010
SA137087-025EI	1.375	0.875	0.250	0.875	0.156	0.016
SA137087-036EI	1.375	0.875	0.360	0.875	0.156	0.016
SA137087-037EI	1.375	0.875	0.375	0.875	0.156	0.016
SA137100-025EI	1.375	1.000	0.250	1.000	0.156	0.010
SA137112-018EI	1.375	1.125	0.187	1.125	0.156	0.010
SA143093-037EI	1.437	0.937	0.375	0.937	0.156	0.016
SA150100-025EI	1.500	1.000	0.250	1.000	0.156	0.016
SA150100-037EI	1.500	1.000	0.375	1.000	0.156	0.016
SA150100-043EI	1.500	1.000	0.437	1.000	0.156	0.016
SA156112-034EI	1.562	1.125	0.343	1.125	0.156	0.016
SA162112-037EI	1.625	1.125	0.375	1.125	0.156	0.016
SA162125-025EI	1.625	1.250	0.250	1.250	0.156	0.016
SA162125-028EI	1.625	1.250	0.281	1.250	0.156	0.016
SA175112-043EI	1.750	1.125	0.437	1.125	0.156	0.016
SA175125-036EI	1.750	1.250	0.360	1.250	0.156	0.016
SA175125-037EI	1.750	1.250	0.375	1.250	0.156	0.016
SA175137-028EI	1.750	1.375	0.281	1.375	0.156	0.016
SA187125-043EI	1.875	1.250	0.437	1.250	0.156	0.016
SA187125-050EI	1.875	1.250	0.500	1.250	0.156	0.016
SA187150-025EI	1.875	1.500	0.250	1.500	0.156	0.010
SA187150-028EI	1.875	1.500	0.281	1.500	0.156	0.010
SA200137-031EI	2.000	1.375	0.312	1.375	0.156	0.016
SA200137-037EI	2.000	1.375	0.375	1.375	0.156	0.016
SA200137-042EI	2.000	1.375	0.422	1.375	0.156	0.016
SA200137-043EI	2.000	1.375	0.437	1.375	0.156	0.016
SA200150-037EI	2.000	1.500	0.375	1.500	0.156	0.016
SA200150-046EI	2.000	1.500	0.468	1.500	0.156	0.016
SA200162-028EI	2.000	1.625	0.281	1.625	0.156	0.010
SA200162-029EI	2.000	1.625	0.288	1.625	0.156	0.031
SA212150-039EI	2.125	1.500	0.394	1.500	0.156	0.012
SA212150-042EI	2.125	1.500	0.420	1.500	0.156	0.016
SA212150-043EI	2.125	1.500	0.437	1.500	0.156	0.016
SA212175-017EI	2.125	1.750	0.172	1.750	0.156	0.010

* Nominal Dimensions

Fluid Power

The Hydraulic Seal Specialists



SA-EI

Imperial **S**ingle **A**cting Rod Seal with Anti-**E**xtrusion Ring **I**nside Working

Part Number	*ØD1	*Ød1	*L1	*ØG	min	max
					C	R1
SA212175-028EI	2.125	1.750	0.281	1.750	0.156	0.010
SA212175-029EI	2.125	1.750	0.288	1.750	0.156	0.031
SA212175-030EI	2.125	1.750	0.300	1.750	0.156	0.010
SA218150-043EI	2.187	1.500	0.437	1.500	0.156	0.016
SA225150-046EI	2.250	1.500	0.468	1.500	0.156	0.032
SA225162-043EI	2.250	1.625	0.437	1.625	0.156	0.016
SA225175-037EI	2.250	1.750	0.375	1.750	0.156	0.016
SA225175-046EI	2.250	1.750	0.468	1.750	0.156	0.016
SA231200-025EI	2.312	2.000	0.250	2.000	0.156	0.010
SA237175-042EI	2.375	1.750	0.422	1.750	0.187	0.016
SA237175-043EI	2.375	1.750	0.437	1.750	0.187	0.016
SA237198-036EI	2.375	1.980	0.360	1.980	0.187	0.010
SA250175-050EI	2.500	1.750	0.500	1.750	0.187	0.032
SA250187-037EI	2.500	1.875	0.375	1.875	0.187	0.010
SA250187-043EI	2.500	1.875	0.437	1.875	0.187	0.010
SA250198-036EI	2.500	1.980	0.360	1.980	0.187	0.010
SA250200-031EI	2.500	2.000	0.312	2.000	0.187	0.010
SA250200-037EI	2.500	2.000	0.375	2.000	0.187	0.010
SA250212-031EI	2.500	2.125	0.312	2.125	0.187	0.010
SA250212-037EI	2.500	2.125	0.375	2.125	0.187	0.010
SA262200-037EI	2.625	2.000	0.375	2.000	0.187	0.016
SA262200-043EI	2.625	2.000	0.437	2.000	0.187	0.016
SA262225-037EI	2.625	2.250	0.375	2.250	0.187	0.016
SA275200-043EI	2.750	2.000	0.437	2.000	0.187	0.016
SA275200-061EI	2.750	2.000	0.610	2.000	0.187	0.031
SA275200-062EI	2.750	2.000	0.625	2.000	0.187	0.016
SA275225-031EI	2.750	2.250	0.312	2.250	0.187	0.010
SA275225-037EI	2.750	2.250	0.375	2.250	0.187	0.010
SA287200-062EI	2.875	2.000	0.625	2.000	0.187	0.032
SA300225-037EI	3.000	2.250	0.375	2.250	0.187	0.047
SA300225-050EI	3.000	2.250	0.500	2.250	0.187	0.032
SA300250-031EI	3.000	2.500	0.312	2.500	0.187	0.010
SA306250-043EI	3.062	2.500	0.437	2.500	0.187	0.010
SA325225-087EI	3.250	2.250	0.875	2.250	0.250	0.032
SA325250-056EI	3.250	2.500	0.562	2.500	0.187	0.032
SA325250-061EI	3.250	2.500	0.610	2.500	0.187	0.032
SA325250-062EI	3.250	2.500	0.625	2.500	0.187	0.032
SA325262-056EI	3.250	2.625	0.562	2.625	0.187	0.016
SA325273-034EI	3.250	2.735	0.340	2.735	0.187	0.032
SA337262-055EI	3.375	2.625	0.547	2.625	0.187	0.031

Fluid Power

The Hydraulic Seal Specialists

SA-EI

Imperial **S**ingle **A**cting Rod Seal with Anti-**E**xtrusion Ring **I**nside Working



Part Number	*ØD1	*Ød1	*L1	*ØG	min	max
					C	R1
SA337300-029EI	3.375	3.000	0.296	3.000	0.187	0.016
SA350250-037EI	3.500	2.500	0.375	2.500	0.187	0.032
SA350275-056EI	3.500	2.750	0.562	2.750	0.187	0.032
SA350287-046EI	3.500	2.875	0.468	2.875	0.187	0.032
SA350300-037EI	3.500	3.000	0.375	3.000	0.187	0.016
SA375250-061EI	3.750	2.500	0.610	2.500	0.187	0.032
SA375300-050EI	3.750	3.000	0.500	3.000	0.187	0.032
SA375300-056EI	3.750	3.000	0.562	3.000	0.187	0.032
SA387337-042EI	3.875	3.375	0.422	3.375	0.187	0.032
SA400325-049EI	4.000	3.250	0.485	3.250	0.187	0.032
SA400325-050EI	4.000	3.250	0.500	3.250	0.187	0.032
SA400350-036EI	4.000	3.500	0.360	3.500	0.187	0.032
SA400350-037EI	4.000	3.500	0.375	3.500	0.187	0.032
SA412350-037EI	4.125	3.500	0.375	3.500	0.187	0.032
SA425348-045EI	4.250	3.480	0.450	3.480	0.187	0.032
SA425350-056EI	4.250	3.500	0.562	3.500	0.187	0.032
SA437362-047EI	4.375	3.625	0.472	3.625	0.187	0.012
SA450400-036EI	4.500	4.000	0.360	4.000	0.187	0.032
SA475400-068EI	4.750	4.000	0.687	4.000	0.187	0.032
SA475412-040EI	4.750	4.125	0.395	4.125	0.187	0.032
SA500400-075EI	5.000	4.000	0.750	4.000	0.250	0.032
SA525450-067EI	5.250	4.500	0.672	4.500	0.250	0.032
SA550450-075EI	5.500	4.500	0.750	4.500	0.250	0.046
SA600500-075EI	6.000	5.000	0.750	5.000	0.250	0.032
SA725625-061EI	7.250	6.250	0.610	6.250	0.250	0.032
SA900800-074EI	9.000	8.000	0.735	8.000	0.250	0.032

* Nominal Dimensions

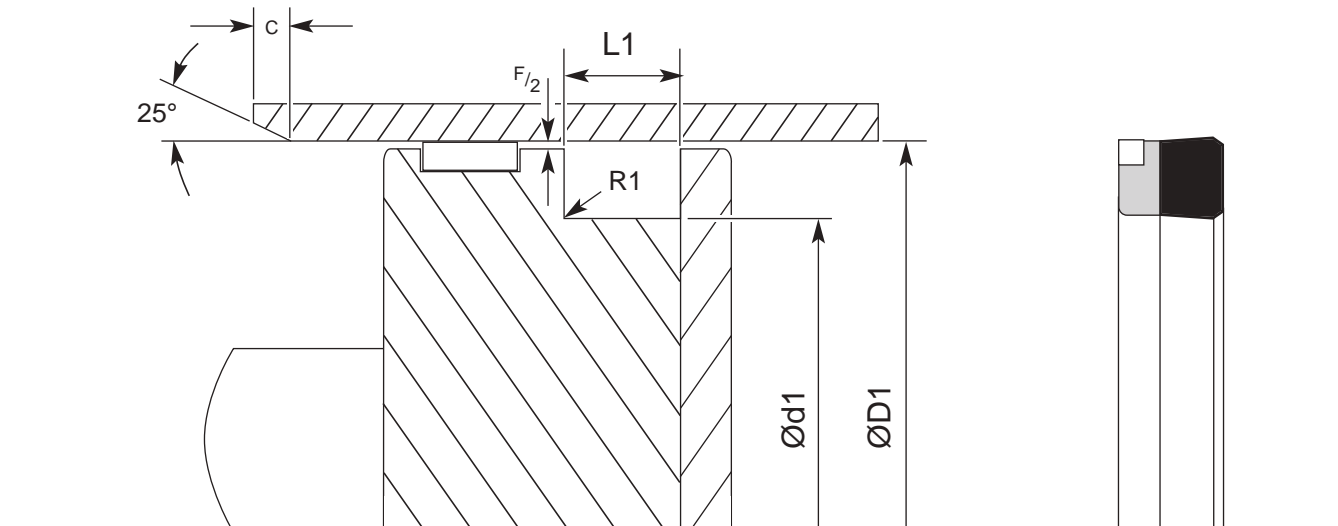
Fluid Power

The Hydraulic Seal Specialists



SA-EO

Metric **S**ingle **A**cting Piston Seal with Anti-**E**xtrusion Ring **O**utside Working



Maximum Diametrical Clearance F

Pressure	Bar	100	200	300	400
Maximum Gap	mm	0.80	0.60	0.48	0.40

Tolerances

ØD1	Ød1	L1
H10	Js11	+0.40/+0.60

Operating Conditions

Max Speed	Temp Range
m/s	-30° to 100°C
0.50	250 Bar
0.15	400 Bar

SA-EO is designed for use as a single acting piston seal. The seal consists of a precision moulded Nitrile rubber sealing element with a fabric reinforced base and an acetal back-up ring to help prevent extrusion. Designed with initial radial interference to effect low pressure sealing, at higher pressures the seal is energised thus increasing the sealing force. The rubberised fabric also retains some of the sealing media which helps reduce friction and wear.

Fluid Power

The Hydraulic Seal Specialists

SA-EO

Metric **S**ingle **A**cting Piston Seal with Anti-**E**xtrusion Ring **O**utside Working

Part Number	*ØD1	*Ød1	*L1	min	max
				C	R1
SA25-12-9.5EO	25.00	12.00	9.50	4.00	0.40
SA28-20-6.5EO	28.00	20.00	6.50	4.00	0.30
SA34-22-9EO	34.00	22.00	9.00	4.00	0.40
SA40-26-9EO	40.00	26.00	9.00	4.00	0.40
SA40-28-9EO	40.00	28.00	9.00	4.00	0.40
SA40-30-7EO	40.00	30.00	7.00	4.00	0.40
SA45-30-9EO	45.00	30.00	9.00	4.00	0.40
SA45-35-8.5EO	45.00	35.00	8.50	4.00	0.40
SA50-30-14EO	50.00	30.00	14.00	4.00	0.80
SA50-35-10.5EO	50.00	35.00	10.50	4.00	0.40
SA50-38-9EO	50.00	38.00	9.00	4.00	0.40
SA50-38-9.4EO	50.00	38.00	9.40	4.00	0.40
SA50-40-10EO	50.00	40.00	10.00	4.00	0.40
SA50-40-10.5EO	50.00	40.00	10.50	4.00	0.40
SA55-40-10.5EO	55.00	40.00	10.50	4.00	0.40
SA60-40-14EO	60.00	40.00	14.00	5.00	0.80
SA60-45-10EO	60.00	45.00	10.00	5.00	0.40
SA60-48-6.5EO	60.00	48.00	6.50	5.00	0.40
SA60-48-10.5EO	60.00	48.00	10.50	5.00	0.40
SA63-45-10.5EO	63.00	45.00	10.50	5.00	0.40
SA63-48-11EO	63.00	48.00	11.00	5.00	0.40
SA65-45-14EO	65.00	45.00	14.00	5.00	0.80
SA65-50-10EO	65.00	50.00	10.00	5.00	0.40
SA65-50-10.5EO	65.00	50.00	10.50	5.00	0.40
SA70-50-14EO	70.00	50.00	14.00	5.00	0.40
SA75-55-14EO	75.00	55.00	14.00	5.00	0.40
SA75-60-12EO	75.00	60.00	12.00	5.00	0.40
SA75-60-12.5EO	75.00	60.00	12.50	5.00	0.40
SA80-60-14EO	80.00	60.00	14.00	5.00	0.80
SA80-65-11EO	80.00	65.00	11.00	5.00	0.80
SA80-65-12EO	80.00	65.00	12.00	5.00	0.80
SA85-65-14EO	85.00	65.00	14.00	5.00	0.80
SA85-70-12EO	85.00	70.00	12.00	5.00	0.80
SA85-75-7.9EO	85.00	75.00	7.90	5.00	0.80
SA90-70-14EO	90.00	70.00	14.00	5.00	0.80
SA90-70-14.5EO	90.00	70.00	14.50	5.00	0.80
SA90-70-18EO	90.00	70.00	18.00	5.00	0.80
SA90-80-7.5EO	90.00	80.00	7.50	5.00	0.80
SA95-75-14EO	95.00	75.00	14.00	5.00	0.80
SA95-80-12EO	95.00	80.00	12.00	5.00	0.80

* Nominal Dimensions

Fluid **Power**

The Hydraulic Seal Specialists

**SA-EO**Metric **S**ingle **A**cting Piston Seal with Anti-**E**xtrusion Ring **O**utside Working

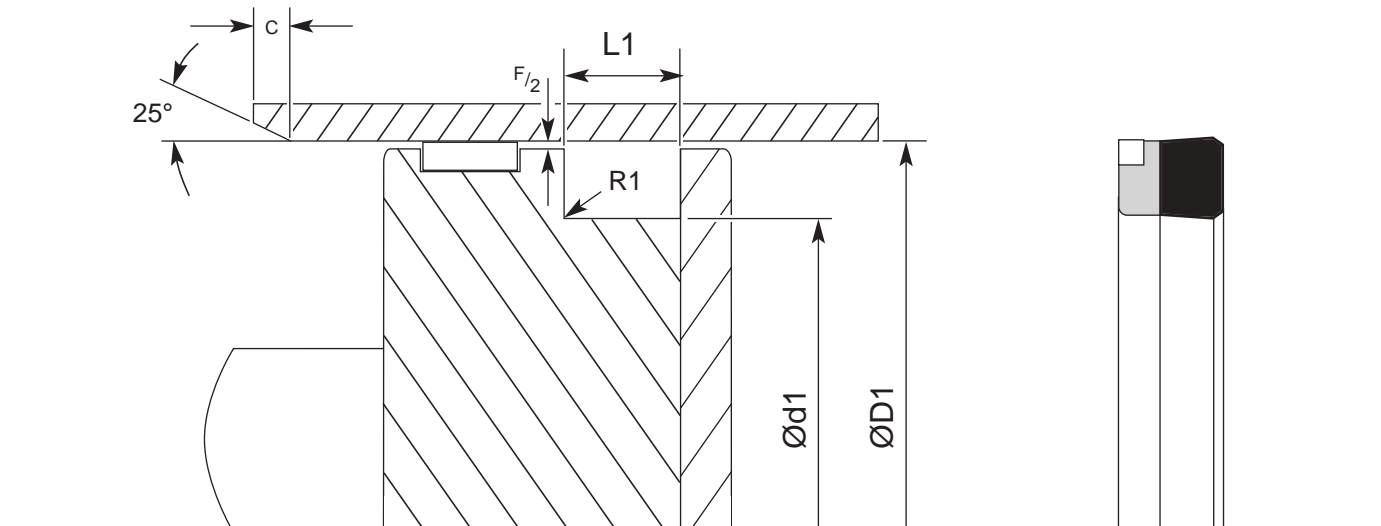
Part Number	*ØD1	*Ød1	*L1	min	max
				C	R1
SA100-80-10.5EO	100.00	80.00	10.50	5.00	0.80
SA100-80-11.5EO	100.00	80.00	11.50	5.00	0.80
SA100-80-14EO	100.00	80.00	14.00	5.00	0.80
SA100-85-12EO	100.00	85.00	12.00	5.00	0.80
SA104.5-85-12.5EO	104.50	85.00	12.50	5.00	0.80
SA104.5-85-14EO	104.50	85.00	14.00	5.00	0.80
SA105-85-12.5EO	105.00	85.00	12.50	5.00	0.80
SA105-85-14EO	105.00	85.00	14.00	5.00	0.80
SA110-90-12.5EO	110.00	90.00	12.50	5.00	0.80
SA110-95-12EO	110.00	95.00	12.00	5.00	0.80
SA110-95-12.5EO	110.00	95.00	12.50	5.00	0.80
SA113-99.4-12.5EO	113.00	99.40	12.50	5.00	0.80
SA115-95-14EO	115.00	95.00	14.00	5.00	0.80
SA115-103-12EO	115.00	103.00	12.00	5.00	0.80
SA120-100-12.5EO	120.00	100.00	12.50	6.50	0.80
SA125-100-14EO	125.00	100.00	14.00	6.50	0.80
SA125-105-12EO	125.00	105.00	12.00	6.50	0.80
SA125-105-14EO	125.00	105.00	14.00	6.50	0.80
SA125-105-15EO	125.00	105.00	15.00	6.50	0.80
SA130-110-12EO	130.00	110.00	12.00	6.50	0.80
SA130-110-12.5EO	130.00	110.00	12.50	6.50	0.80
SA130-110-15EO	130.00	110.00	15.00	6.50	0.80
SA140-120-12EO	140.00	120.00	12.00	6.50	0.80
SA140-120-15EO	140.00	120.00	15.00	6.50	0.80
SA145-130-9EO	145.00	130.00	9.00	6.50	0.80
SA145-130-11.5EO	145.00	130.00	11.50	6.50	0.80
SA150-125-14EO	150.00	125.00	14.00	6.50	0.80
SA150-130-15EO	150.00	130.00	15.00	6.50	0.80
SA160-140-14EO	160.00	140.00	14.00	6.50	0.80
SA160-140-15EO	160.00	140.00	15.00	6.50	0.80
SA165-145-14EO	165.00	145.00	14.00	6.50	0.80
SA165-150-12.5EO	165.00	150.00	12.50	6.50	0.80
SA180-160-15EO	180.00	160.00	15.00	8.00	0.80
SA200-180-15EO	200.00	180.00	15.00	8.00	0.80
SA220-190-18EO	220.00	190.00	18.00	8.00	0.80
SA250-215-20EO	250.00	215.00	20.00	10.00	0.80
SA280-245-20EO	280.00	245.00	20.00	10.00	0.80
SA300-270-20EO	300.00	270.00	20.00	10.00	0.80
SA320-280-23EO	320.00	280.00	23.00	10.00	0.80
SA360-320-23EO	360.00	320.00	23.00	10.00	0.80

Fluid Power

The Hydraulic Seal Specialists

SA-EO

Imperial **S**ingle **A**cting Piston Seal with Anti-**E**xtrusion Ring **O**utside Working



Maximum Diametrical Clearance F

Pressure	Bar	100	200	300	400
Maximum Gap	Inch	0.031	0.024	0.020	0.016

Tolerances

ØD1	Ød1	L1
H10	Js11	+0.015"/+0.025"

Operating Conditions

Max Speed	Temp Range
m/s	-30° to 100°C
0.50	250 Bar
0.15	400 Bar

SA-EO is designed for use as a single acting piston seal. The seal consists of a precision moulded Nitrile rubber sealing element with a fabric reinforced base and an acetal back-up ring to help prevent extrusion. Designed with initial radial interference to effect low pressure sealing, at higher pressures the seal is energised thus increasing the sealing force. The rubberised fabric also retains some of the sealing media which helps reduce friction and wear.

Fluid Power

The Hydraulic Seal Specialists



SA-EO

Imperial **S**ingle **A**cting Piston Seal with Anti-**E**xtrusion Ring **O**utside Working

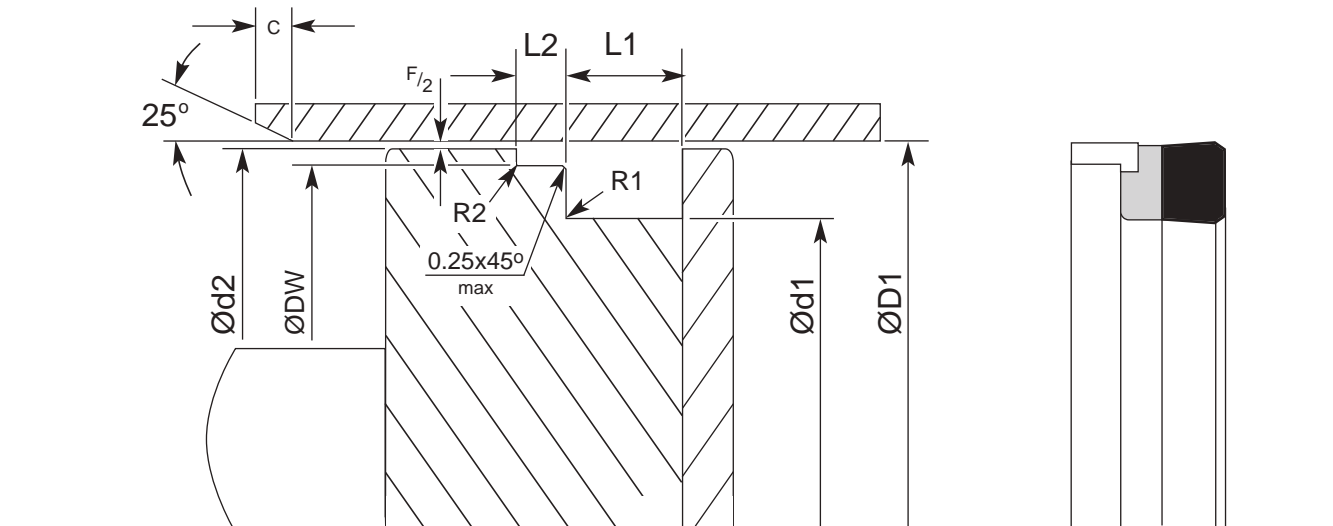
Part Number	*ØD1	*Ød1	*L1	min	max
				C	R1
SA100062-028EO	1.000	0.625	0.281	0.156	0.010
SA112075-031EO	1.125	0.750	0.312	0.156	0.010
SA125075-031EO	1.250	0.750	0.312	0.156	0.010
SA125075-037EO	1.250	0.750	0.375	0.156	0.010
SA137087-037EO	1.375	0.875	0.375	0.156	0.010
SA150100-037EO	1.500	1.000	0.375	0.156	0.010
SA168118-031EO	1.687	1.187	0.312	0.156	0.010
SA175112-043EO	1.750	1.125	0.437	0.156	0.015
SA200125-046EO	2.000	1.250	0.468	0.156	0.032
SA200137-037EO	2.000	1.375	0.375	0.156	0.015
SA200137-043EO	2.000	1.375	0.437	0.156	0.015
SA200150-037EO	2.000	1.500	0.375	0.156	0.015
SA225150-046EO	2.250	1.500	0.468	0.156	0.015
SA225162-031EO	2.250	1.625	0.312	0.156	0.015
SA237175-043EO	2.375	1.750	0.437	0.156	0.015
SA250187-037EO	2.500	1.875	0.375	0.156	0.015
SA250187-043EO	2.500	1.875	0.437	0.156	0.015
SA250200-037EO	2.500	2.000	0.375	0.156	0.015
SA275200-056EO	2.750	2.000	0.562	0.187	0.015
SA275200-062EO	2.750	2.000	0.625	0.187	0.015
SA287187-075EO	2.875	1.875	0.750	0.187	0.032
SA300225-037EO	3.000	2.250	0.375	0.187	0.032
SA300225-050EO	3.000	2.250	0.500	0.187	0.032
SA300225-056EO	3.000	2.250	0.562	0.187	0.032
SA312237-056EO	3.125	2.375	0.562	0.187	0.032
SA325250-056EO	3.250	2.500	0.562	0.187	0.032
SA350250-075EO	3.500	2.500	0.750	0.187	0.032
SA350300-037EO	3.500	3.000	0.375	0.187	0.010
SA356293-043EO	3.562	2.937	0.437	0.187	0.015
SA362300-037EO	3.625	3.000	0.375	0.187	0.015
SA400325-056EO	4.000	3.250	0.562	0.187	0.032
SA400350-037EO	4.000	3.500	0.375	0.187	0.010
SA450350-056EO	4.500	3.500	0.562	0.250	0.032
SA500400-075EO	5.000	4.000	0.750	0.250	0.032
SA500450-075EO	5.000	4.500	0.750	0.250	0.015
SA550450-075EO	5.500	4.500	0.750	0.250	0.046
SA700600-075EO	7.000	6.000	0.750	0.250	0.032
SA700625-056EO	7.000	6.250	0.562	0.250	0.032
SA825750-056EO	8.250	7.500	0.562	0.250	0.032
SA850725-100EO	8.500	7.250	1.000	0.250	0.046

Fluid Power

The Hydraulic Seal Specialists

SA-WO

Metric **S**ingle **A**cting Piston Seal with **W**ear Ring **O**utside Working



Maximum Diametrical Clearance F

Pressure	Bar	100	200	300	400
Maximum Gap	mm	0.80	0.60	0.48	0.40

Tolerances

ØD1	Ød1	Ød2	ØDW	L1	L2
H10	Js11	Js11	Js10	+0.40/+0.60	+0.10/-0.00

Operating Conditions

Max Speed	Temp Range
m/s	-30° to 100°C
0.50	250 Bar
0.15	400 Bar

SA-WO is designed for use as a single acting piston seal. The seal consists of a precision moulded Nitrile rubber sealing element with a fabric reinforced base and an acetal wear ring to help prevent extrusion, allow larger clearances between the piston and cylinder. Designed with initial radial interference to effect low pressure sealing, at higher pressures the seal is energised thus increasing the sealing force. The rubberised fabric also retains some of the sealing media which helps reduce friction and wear.

Fluid Power

The Hydraulic Seal Specialists



SA-WO

Metric **S**ingle **A**cting Piston Seal with **W**ear Ring **O**utside Working

Part Number	*ØD1	*Ød1	*L1	*L2	ØDW	Ød2	C	R1	R2
							min	max	max
SA25-12-9.5WO	25.00	12.00	9.50	6.40	21.50	24.10	4.00	0.40	0.20
SA30-18-7WO	30.00	18.00	7.00	6.40	26.50	29.00	4.00	0.40	0.20
SA32-20-9.5WO	32.00	20.00	9.50	6.40	28.50	30.90	4.00	0.40	0.20
SA35-22-9.5WO	35.00	22.00	9.50	6.40	31.40	33.70	4.00	0.40	0.20
SA38-25-9.5WO	38.00	25.00	9.50	6.40	34.40	36.70	4.00	0.40	0.20
SA40-20-9WO	40.00	20.00	9.00	6.40	35.40	38.70	4.00	0.40	0.20
SA40-24-13WO	40.00	24.00	13.00	6.40	35.40	38.70	4.00	0.40	0.20
SA40-25-9WO	40.00	25.00	9.00	6.40	35.40	38.70	4.00	0.40	0.20
SA40-26-9WO	40.00	26.00	9.00	6.40	35.40	38.70	4.00	0.40	0.20
SA40-26-9.5WO	40.00	26.00	9.50	6.40	35.40	38.70	4.00	0.40	0.20
SA40-28-8.5WO	40.00	28.00	8.50	6.40	35.40	38.70	4.00	0.40	0.20
SA40-28-9WO	40.00	28.00	9.00	6.40	35.40	39.00	4.00	0.40	0.20
SA40-30-7WO	40.00	30.00	7.00	6.40	36.40	38.70	4.00	0.40	0.20
SA45-30-9WO	45.00	30.00	9.00	6.40	40.40	43.70	4.00	0.40	0.20
SA45-35-8.5WO	45.00	35.00	8.50	6.40	42.00	43.99	4.00	0.40	0.20
SA50-30-9WO	50.00	30.00	9.00	6.40	44.30	48.30	4.00	0.80	0.20
SA50-30-14WO	50.00	30.00	14.00	6.40	44.30	48.30	4.00	0.80	0.20
SA50-35-10.5WO	50.00	35.00	10.50	6.40	45.40	48.70	4.00	0.80	0.20
SA50-38-9WO	50.00	38.00	9.00	6.40	47.05	49.00	4.00	0.40	0.20
SA50-38-9.4WO	50.00	38.00	9.40	6.40	46.54	49.02	4.00	0.40	0.20
SA50-40-10WO	50.00	40.00	10.00	6.40	47.00	48.80	4.00	0.40	0.20
SA55-40-10.5WO	55.00	40.00	10.50	6.40	50.40	53.65	4.00	0.80	0.20
SA55-40-11WO	55.00	40.00	11.00	6.40	50.40	53.70	4.00	0.80	0.20
SA60-40-14WO	60.00	40.00	14.00	6.40	54.20	58.06	5.00	0.80	0.20
SA60-45-10.5WO	60.00	45.00	10.50	6.40	54.20	58.65	5.00	0.80	0.20
SA63-45-10.5WO	63.00	45.00	10.50	6.40	58.40	61.60	5.00	0.40	0.20
SA63-48-11WO	63.00	48.00	11.00	6.40	58.40	61.70	5.00	0.40	0.20
SA65-45-14WO	65.00	45.00	14.00	6.40	59.30	63.07	5.00	0.80	0.20
SA65-50-10WO	65.00	50.00	10.00	6.40	60.10	63.22	5.00	0.80	0.20
SA65-50-10.5WO	65.00	50.00	10.50	6.40	60.40	63.22	5.00	0.80	0.20
SA70-50-14WO	70.00	50.00	14.00	6.40	64.30	68.05	5.00	0.80	0.20
SA75-55-14WO	75.00	55.00	14.00	6.40	69.20	73.30	5.00	0.80	0.20
SA80-60-14WO	80.00	60.00	14.00	6.40	74.20	78.34	5.00	0.80	0.20
SA80-65-11WO	80.00	65.00	11.00	6.40	75.40	78.45	5.00	0.80	0.20
SA85-65-14WO	85.00	65.00	14.00	6.40	79.20	83.30	5.00	0.80	0.20
SA85-70-12WO	85.00	70.00	12.00	6.40	80.30	83.44	5.00	0.80	0.20
SA90-70-14WO	90.00	70.00	14.00	6.40	84.20	88.30	5.00	0.80	0.20
SA90-70-14.5WO	90.00	70.00	14.50	6.40	84.20	88.30	5.00	0.80	0.20
SA90-70-18WO	90.00	70.00	18.00	6.40	84.20	88.30	5.00	0.80	0.20
SA95-75-14WO	95.00	75.00	14.00	6.40	89.10	93.30	5.00	0.80	0.20

Fluid Power

The Hydraulic Seal Specialists

SA-WO

Metric **S**ingle **A**cting Piston Seal with **W**ear Ring **O**utside Working



Part Number	*ØD1	*Ød1	*L1	*L2	ØDW	Ød2	min	max	max
							C	R1	R2
SA100-80-11.5WO	100.00	80.00	11.50	6.40	94.20	98.30	5.00	0.80	0.20
SA100-80-14WO	100.00	80.00	14.00	6.40	94.20	98.30	5.00	0.80	0.20
SA104.5-85-12.5WO	104.50	85.00	12.50	6.40	98.80	102.50	5.00	0.80	0.20
SA104.5-85-14WO	104.50	85.00	14.00	6.40	98.80	102.47	5.00	0.80	0.20
SA105-85-14WO	105.00	85.00	14.00	6.40	99.42	102.97	5.00	0.80	0.20
SA110-90-12.5WO	110.00	90.00	12.50	6.40	104.10	108.33	5.00	0.80	0.20
SA115-90-20WO	115.00	90.00	20.00	6.40	108.10	113.10	5.00	0.80	0.20
SA115-95-14WO	115.00	95.00	14.00	6.40	109.00	112.85	5.00	0.80	0.20
SA120-100-12.5WO	120.00	100.00	12.50	6.40	114.10	118.33	6.50	0.80	0.35
SA125-100-14WO	125.00	100.00	14.00	6.40	118.10	122.96	6.50	0.80	0.35
SA125-105-12WO	125.00	105.00	12.00	6.40	119.30	123.31	6.50	0.80	0.35
SA125-105-14WO	125.00	105.00	14.00	6.40	119.10	123.33	6.50	0.80	0.35
SA130-110-12WO	130.00	110.00	12.00	6.40	123.24	127.96	6.50	0.80	0.35
SA130-110-12.5WO	130.00	110.00	12.50	6.40	123.10	128.00	6.50	0.80	0.35
SA140-120-12WO	140.00	120.00	12.00	6.40	133.12	137.99	6.50	0.80	0.35
SA150-125-14WO	150.00	125.00	14.00	6.40	143.00	148.00	6.50	0.80	0.35
SA160-140-14WO	160.00	140.00	14.00	6.40	154.30	159.90	6.50	0.80	0.35
SA165-145-14WO	165.00	145.00	14.00	6.40	159.30	164.90	6.50	0.80	0.35

* Nominal Dimensions

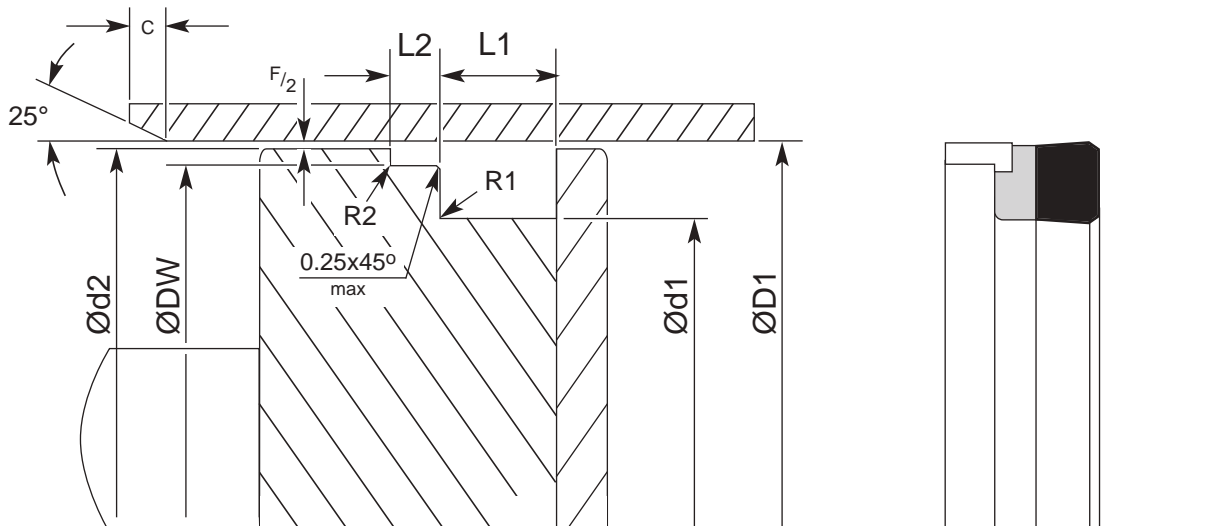
Fluid Power

The Hydraulic Seal Specialists



SA-WO

Imperial **S**ingle **A**cting Piston Seal with **W**ear Ring **O**utside Working



Maximum Diametrical Clearance F

Pressure	Bar	100	200	300	400
Maximum Gap	Inch	0.031	0.024	0.019	0.016

Tolerances

ØD1	Ød1	Ød2	ØDW	L1	L2
H10	Js11	Js11	Js10	+0.015"/+0.025"	+0.004"/-0"

Operating Conditions

Max Speed	Temp Range
m/s	-30° to 100°C
0.50	250 Bar
0.15	400 Bar

SA-WO is designed for use as a single acting piston seal. The seal consists of a precision moulded Nitrile rubber sealing element with a fabric reinforced base and an acetal wear ring to help prevent extrusion, allow larger clearances between the piston and cylinder. Designed with initial radial interference to effect low pressure sealing, at higher pressures the seal is energised thus increasing the sealing force. The rubberised fabric also retains some of the sealing media which helps reduce friction and wear.

Fluid Power

The Hydraulic Seal Specialists

SA-WO

Imperial **S**ingle **A**cting Piston Seal with **W**ear Ring **O**utside Working

Part Number	*ØD1	*Ød1	*L1	*L2	ØDW	Ød2	min	max	max
							C	R1	R2
SA100062-028WO	1.000	0.625	0.281	0.250	0.883	0.964	0.156	0.008	0.008
SA125075-037WO	1.250	0.750	0.375	0.250	1.111	1.208	0.156	0.015	0.008
SA137087-037WO	1.375	0.875	0.375	0.250	1.236	1.330	0.156	0.015	0.008
SA150100-037WO	1.500	1.000	0.375	0.250	1.360	1.458	0.156	0.015	0.008
SA168118-031WO	1.687	1.187	0.312	0.250	1.547	1.645	0.156	0.015	0.008
SA175112-043WO	1.750	1.125	0.437	0.250	1.570	1.698	0.156	0.025	0.008
SA200125-046WO	2.000	1.250	0.468	0.250	1.820	1.948	0.156	0.032	0.008
SA200137-037WO	2.000	1.375	0.375	0.250	1.820	1.948	0.156	0.025	0.008
SA200137-043WO	2.000	1.375	0.437	0.250	1.820	1.948	0.156	0.025	0.008
SA200150-037WO	2.000	1.500	0.375	0.250	1.860	1.950	0.156	0.025	0.008
SA218168-031WO	2.187	1.687	0.312	0.250	2.047	2.135	0.156	0.030	0.008
SA218169-033WO	2.187	1.690	0.325	0.250	2.042	2.125	0.156	0.025	0.008
SA237175-043WO	2.375	1.750	0.437	0.250	2.194	2.322	0.200	0.015	0.008
SA250187-037WO	2.500	1.875	0.375	0.250	2.319	2.446	0.200	0.025	0.008
SA250187-043WO	2.500	1.875	0.437	0.250	2.319	2.446	0.200	0.025	0.008
SA250200-031WO	2.500	2.000	0.312	0.250	2.360	2.447	0.200	0.025	0.008
SA250200-037WO	2.500	2.000	0.375	0.250	2.360	2.450	0.200	0.025	0.008
SA275200-062WO	2.750	2.000	0.625	0.250	2.522	2.685	0.200	0.032	0.008
SA281231-031WO	2.812	2.312	0.312	0.250	2.654	2.809	0.200	0.012	0.012
SA300225-037WO	3.000	2.250	0.375	0.250	2.772	2.935	0.200	0.032	0.008
SA300225-056WO	3.000	2.250	0.562	0.250	2.772	2.935	0.200	0.032	0.008
SA312237-056WO	3.125	2.375	0.562	0.250	2.896	3.070	0.200	0.032	0.008
SA325250-056WO	3.250	2.500	0.562	0.250	3.069	3.190	0.200	0.032	0.008
SA350250-075WO	3.500	2.500	0.750	0.250	3.230	3.435	0.200	0.032	0.008
SA375275-050WO	3.750	2.750	0.500	0.250	3.508	3.685	0.200	0.046	0.015
SA400325-056WO	4.000	3.250	0.562	0.250	3.770	3.933	0.250	0.032	0.008
SA450350-056WO	4.500	3.500	0.562	0.250	4.229	4.422	0.250	0.046	0.015
SA500400-075WO	5.000	4.000	0.750	0.250	4.728	4.920	0.250	0.046	0.015
SA700600-075WO	7.000	6.000	0.750	0.250	6.724	5.919	0.250	0.046	0.015
SA725600-100WO	7.250	6.000	1.000	0.250	6.979	7.170	0.250	0.046	0.015

* Nominal Dimensions

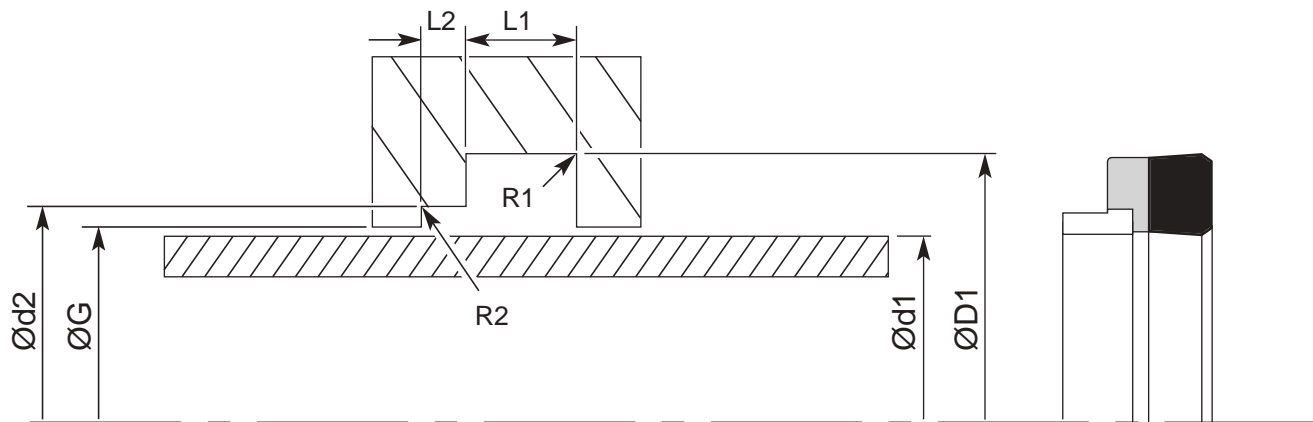
Fluid Power

The Hydraulic Seal Specialists



SA-WI

Imperial **S**ingle **A**cting Rod Seal with **W**ear Ring **I**nside Working



Tolerances

ØD1	Ød1	L1	Ød2
e9 >5 e8	+0/-0.004	+0.015/ +0.025	+0.002/-0

Operating Conditions

Max Speed	Temp Range
m/s	-30° to 100°C
0.50	250 Bar
0.15	400 Bar

SA-WI is designed for use as a single acting rod seal. The seal consists of a precision moulded Nitrile rubber sealing element with a fabric reinforced base and an acetal wear ring to help prevent extrusion and to allow larger clearances between the rod and the gland. Designed with initial radial interference to effect low pressure sealing, at higher pressures the seal is energised thus increasing the sealing force. The rubberised fabric also retains some of the sealing media which helps reduce friction and wear.

Fluid Power

The Hydraulic Seal Specialists

SA-WI

Imperial **S**ingle **A**cting Rod Seal with **W**ear Ring **I**nside Working



Part Number	*ØD1	*Ød1	L1	L2	Ød2	*ØG	max	max
							R1	R2
SA375300-056WI-S-F	3.750	3.000	0.562	0.250	3.218	3.065	0.016	0.007
SA437362-056WI-S-F	4.375	3.625	0.562	0.250	3.843	3.690	0.016	0.007
SA512437-056WI-S-F	5.125	4.375	0.562	0.250	4.593	4.440	0.016	0.007
SA600525-056WI-S-F	6.000	5.250	0.562	0.250	5.468	5.315	0.016	0.007
SA706631-056WI-S-F	7.062	6.312	0.562	0.250	6.530	6.377	0.016	0.007
SA806731-056WI-S-F	8.062	7.312	0.562	0.250	7.530	7.377	0.016	0.007
SA937837-068WI-S-F	9.375	8.375	0.687	0.250	8.621	8.440	0.016	0.007

* Nominal Dimensions

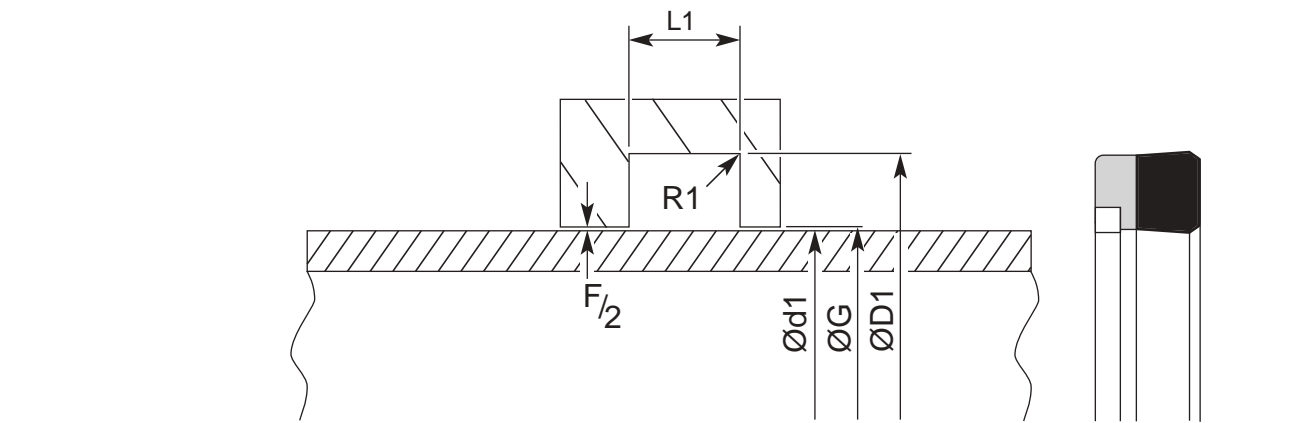
Fluid Power

The Hydraulic Seal Specialists



SA-EI-SAG

Imperial **S**ingle **A**cting Rod Seal with Anti-**E**xtrusion Ring **I**nside Working



Maximum Diametrical Clearance F

Pressure	Bar	100	200	300	400
Maximum Gap	Inch	0.031	0.024	0.020	0.016

Tolerances

ØD1	Ød1	ØG	L1
Js11	f8	H9	+0.015/ +0.025

Operating Conditions

Max Speed	Temp Range
m/s	-30° to 100°
0.50	250 Bar
0.15	400 Bar

SA-EI-SAG is designed for use as a single acting rod seal, usually in a telescopic cylinder. The seal consists of a precision moulded Nitrile rubber sealing element with a fabric reinforced base and an acetal back-up ring to help prevent extrusion. Designed with initial radial interference to effect low pressure sealing, at higher pressures the seal is energised thus increasing the sealing force. The rubberised fabric also retains some of the sealing media which helps reduce friction and wear.

Fluid Power

The Hydraulic Seal Specialists

SA-EI-SAG

Imperial **S**ingle **A**cting Rod Seal with Anti-**E**xtrusion Ring **I**nside Working



Part Number	*ØD1	*Ød1	*L1	*ØG	min	max
					C	R1
SA243200-041EI-SAG-F	2.437	2.000	0.406	2.000	0.093	0.008
SA318275-041EI-SAG-F	3.187	2.750	0.406	2.750	0.093	0.008
SA400350-046EI-SAG-F	4.000	3.500	0.468	3.500	0.125	0.016
SA487437-046EI-SAG-F	4.875	4.375	0.468	4.375	0.125	0.016
SA587525-046EI-SAG-F	5.875	5.250	0.468	5.250	0.125	0.016
SA687631-046EI-SAG-F	6.875	6.312	0.468	6.312	0.125	0.016
SA793731-046EI-SAG-F	7.937	7.312	0.468	7.312	0.156	0.032
SA900837-046EI-SAG-F	9.000	8.375	0.468	8.375	0.156	0.032

* Nominal Dimensions

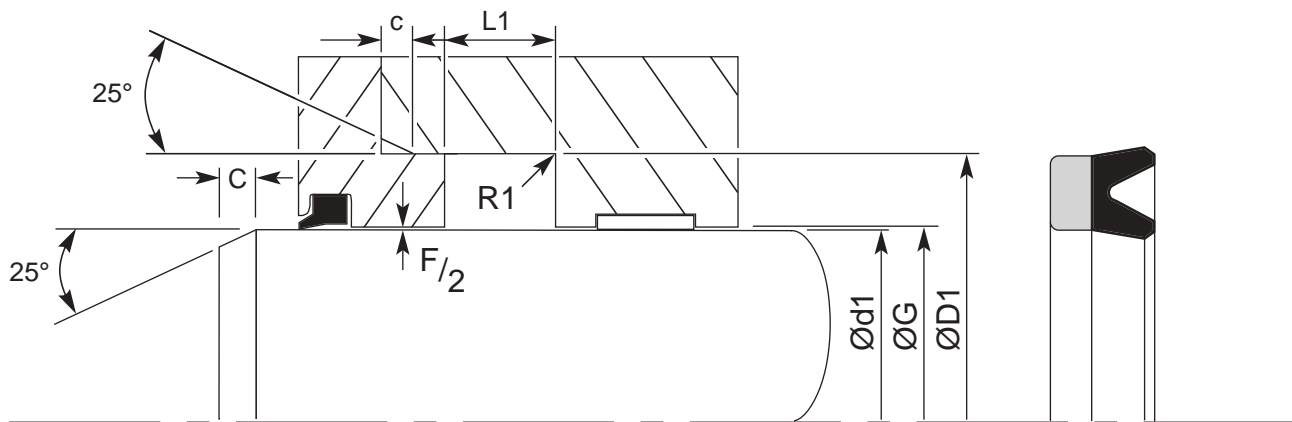
Fluid Power

The Hydraulic Seal Specialists



SA-P-GR

Metric and Imperial **S**ingle **A**cting **P**lain Rod or Piston Seal **GR**ooved



Maximum Diametrical Clearance F

Pressure	Bar	100	200	300	400
Maximum Gap	mm	0.42	0.28	0.16	0.10
	Inch	0.017	0.011	0.006	0.004

Tolerances

ØD1	Ød1	L1	ØG
Js11	f8	+0.25/-0.00 +0.015"/+0.025"	H9

Operating Conditions

Max Speed	Temp Range
m/s	-30° to 100°C
0.50	250 Bar
0.15	400 Bar

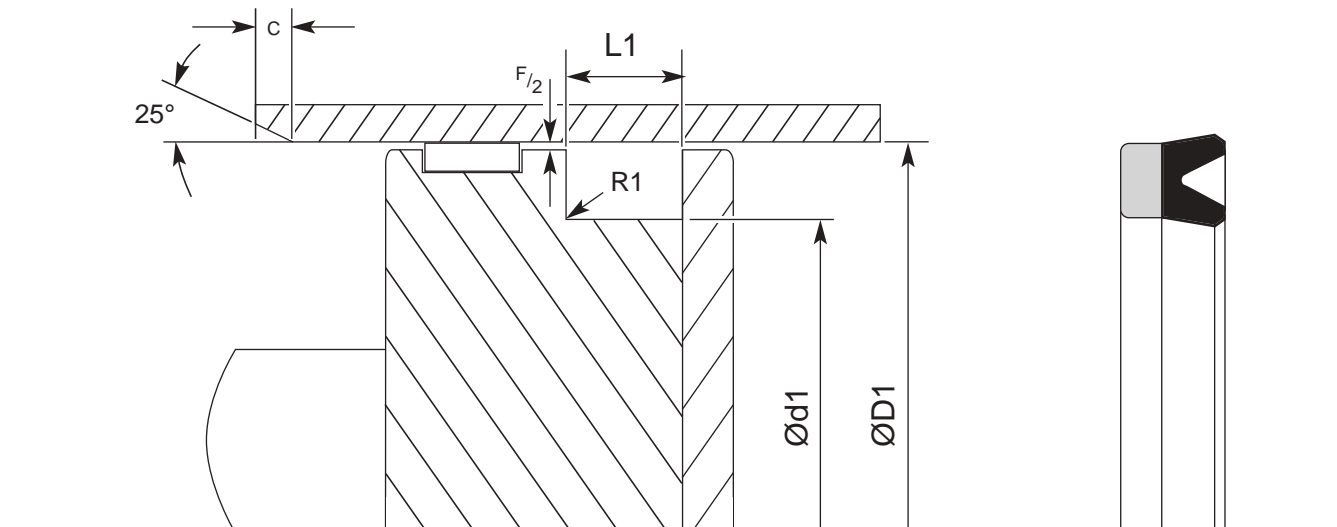
SA-P-GR is a symmetrical seal designed for use as a single acting rod or piston seal. The seal consists of a precision moulded Nitrile rubber sealing element with a fabric reinforced base to help prevent extrusion. Designed with initial radial interference to effect low pressure sealing, at higher pressures the seal is energised thus increasing the sealing force. The rubberised fabric also retains some of the sealing media thus reducing friction and wear. It has been designed to effect low pressure sealing through distortion of the lips rather than squeeze, therefore improving the response to pressure variations and giving a smoother return stroke at lower pressures brought about by reduced stiction.

Fluid Power

The Hydraulic Seal Specialists

SA-P-GR

Metric and Imperial **S**ingle **A**cting **P**lain Rod or Piston Seal **GR**ooved



Maximum Diametrical Clearance F

Pressure	Bar	100	200	300	400
Maximum Gap	mm	0.42	0.28	0.16	0.10
	Inch	0.017	0.011	0.006	0.004

Tolerances

ØD1	Ød1	L1
H10	Js11	+0.25/-0.00 +0.015"/+0.025"

Operating Conditions

Max Speed	Temp Range
m/s	-30° to 100°C
0.50	250 Bar
0.15	400 Bar

SA-P-GR is a symmetrical seal designed for use as a single acting rod or piston seal. The seal consists of a precision moulded Nitrile rubber sealing element with a fabric reinforced base to help prevent extrusion. Designed with initial radial interference to effect low pressure sealing, at higher pressures the seal is energised thus increasing the sealing force. The rubberised fabric also retains some of the sealing media thus reducing friction and wear. It has been designed to effect low pressure sealing through distortion of the lips rather than squeeze, therefore improving the response to pressure variations and giving a smoother return stroke at lower pressures brought about by reduced stiction.

Fluid Power

The Hydraulic Seal Specialists



SA-P-GR

Metric **S**ingle **A**cting **P**lain Rod or Piston Seal **GR**ooved

Part Number	*ØD1	*Ød1	*L1	*ØG	min	max
					C	R1
SA40-25-9.5P-GR	40.00	25.00	9.50	25.00	4.00	0.40
SA40-30-7P-GR	40.00	30.00	7.00	30.00	4.00	0.40
SA50-40-7P-GR	50.00	40.00	7.00	40.00	4.00	0.40
SA60-50-7P-GR	60.00	50.00	7.00	50.00	5.00	0.40
SA63-48-9.5P-GR	63.00	48.00	9.50	48.00	5.00	0.80
SA70-60-7P-GR	70.00	60.00	7.00	60.00	5.00	0.40
SA71-56-10P-GR	71.00	56.00	10.00	56.00	5.00	0.80
SA78-63-10P-GR	78.00	63.00	10.00	63.00	5.00	0.80
SA80-60-13P-GR	80.00	60.00	13.00	60.00	5.00	0.80
SA80-60-14P-GR	80.00	60.00	14.00	60.00	5.00	0.80
SA80-65-12P-GR	80.00	65.00	12.00	65.00	5.00	0.80
SA90-70-13P-GR	90.00	70.00	13.00	70.00	5.00	0.80
SA100-80-13P-GR	100.00	80.00	13.00	80.00	5.00	0.80
SA100-80-14P-GR	100.00	80.00	14.00	80.00	5.00	0.80
SA110-90-13P-GR	110.00	90.00	13.00	90.00	5.00	0.80

Fluid Power

The Hydraulic Seal Specialists

SA-P-GR

Imperial **S**ingle **A**cting **P**lain Rod or Piston Seal **GR**ooved

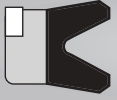


Part Number	*ØD1	*Ød1	*L1	*ØG	min	max
					C	R1
SA150100-025P-GR	1.500	1.000	0.250	1.000	0.156	0.015
SA150100-037P-GR	1.500	1.000	0.375	1.000	0.156	0.015
SA200150-037P-GR	2.000	1.500	0.375	1.500	0.156	0.015
SA200150-046P-GR	2.000	1.500	0.468	1.500	0.156	0.015
SA212150-046P-GR	2.125	1.500	0.468	1.500	0.156	0.015
SA218150-043P-GR	2.188	1.500	0.438	1.500	0.156	0.012
SA225162-043P-GR	2.250	1.625	0.437	1.625	0.156	0.015
SA237175-043P-GR	2.375	1.750	0.437	1.750	0.200	0.015
SA237200-036P-GR	2.375	2.000	0.360	2.000	0.200	0.010
SA250187-037P-GR	2.500	1.875	0.375	1.875	0.200	0.015
SA262200-031P-GR	2.625	2.000	0.312	2.000	0.200	0.015
SA262200-056P-GR	2.625	2.000	0.562	2.000	0.200	0.015
SA300237-031P-GR	3.000	2.375	0.312	2.375	0.200	0.015
SA325250-056P-GR	3.250	2.500	0.562	2.500	0.200	0.032
SA325262-056P-GR	3.250	2.625	0.562	2.625	0.200	0.015
SA362300-037P-GR	3.625	3.000	0.375	3.000	0.200	0.015
SA387325-056P-GR	3.875	3.250	0.562	3.250	0.200	0.015

* Nominal Dimensions

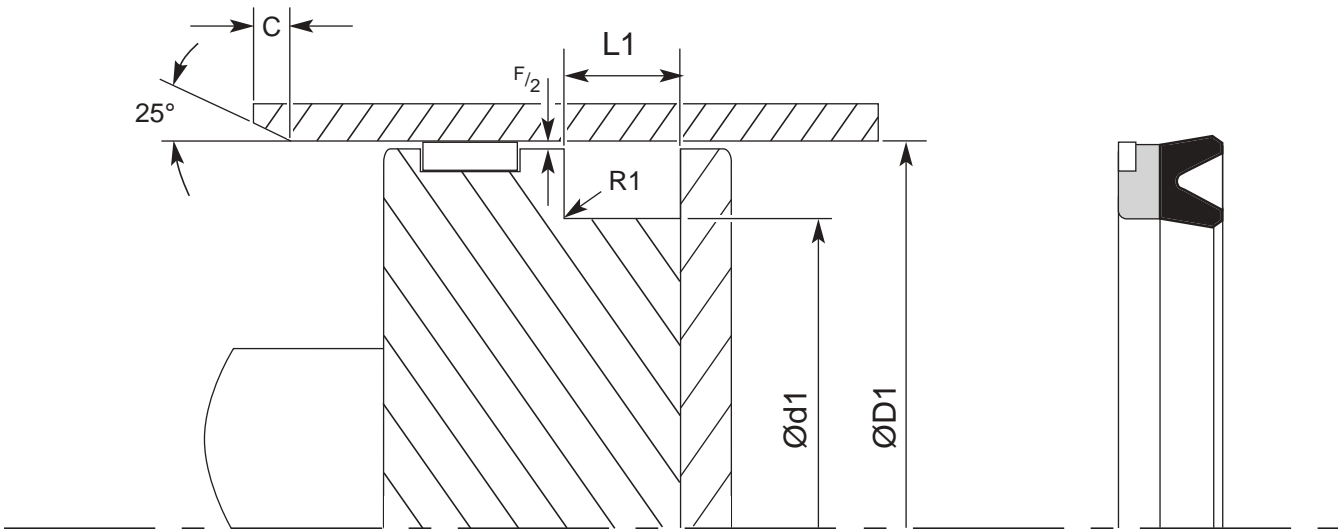
Fluid Power

The Hydraulic Seal Specialists



SA-EO-GR

Metric **S**ingle **A**cting Piston Seal with Anti-**E**xtrusion Ring **O**utside Working **GR**ooved



Maximum Diametrical Clearance F

Pressure	Bar	100	200	300	400
Maximum Gap	mm	0.80	0.60	0.48	0.40

Tolerances

ØD1	Ød1	L1
H10	Js11	+0.40/+0.60

Operating Conditions

Max Speed	Temp Range
m/s	-30° to 100°C
0.50	250 Bar
0.15	400 Bar

SA-EO-GR is designed for use as a single acting piston seal. The seal consists of a precision moulded Nitrile rubber sealing element with a fabric reinforced base and an acetal back-up ring to help prevent extrusion. Designed with initial radial interference to effect low pressure sealing, at higher pressures the seal is energised thus increasing the sealing force. The rubberised fabric also retains some of the sealing media thus reducing friction and wear. It has been designed to effect low pressure sealing through distortion of the lips rather than squeeze, therefore improving the response to pressure variations and giving a smoother return stroke at lower pressures brought about by reduced stiction.

Fluid Power

The Hydraulic Seal Specialists

SA-EO-GR

Metric **S**ingle **A**cting Piston Seal with Anti-**E**xtrusion Ring **O**utside Working **GR**ooved

Part Number	*ØD1	*Ød1	*L1	min	max
				C	R1
SA32-22-9EO-GR	32.00	22.00	9.00	4.00	0.40
SA40-25-9.5EO-GR	40.00	25.00	9.50	4.00	0.40
SA40-25-11EO-GR	40.00	25.00	11.00	4.00	0.40
SA40-26-9EO-GR	40.00	26.00	9.00	4.00	0.40
SA45-30-10EO-GR	45.00	30.00	10.00	4.00	0.40
SA50-35-11EO-GR	50.00	35.00	11.00	4.00	0.40
SA50-40-10EO-GR	50.00	40.00	10.00	4.00	0.40
SA50-40-11EO-GR	50.00	40.00	11.00	4.00	0.40
SA55-40-10.5EO-GR	55.00	40.00	10.50	4.00	0.60
SA60-40-14EO-GR	60.00	40.00	14.00	5.00	0.80
SA63-48-9.5EO-GR	63.00	48.00	9.50	5.00	0.60
SA63-48-11EO-GR	63.00	48.00	11.00	5.00	0.60
SA65-50-10EO-GR	65.00	50.00	10.00	5.00	0.80
SA70-50-14EO-GR	70.00	50.00	14.00	5.00	0.80
SA80-60-12.3EO-GR	80.00	60.00	12.30	5.00	0.80
SA80-60-14EO-GR	80.00	60.00	14.00	5.00	0.80
SA80-65-11EO-GR	80.00	65.00	11.00	5.00	0.40
SA80-65-12EO-GR	80.00	65.00	12.00	5.00	0.40
SA90-70-12.3EO-GR	90.00	70.00	12.30	5.00	0.80
SA90-70-14EO-GR	90.00	70.00	14.00	5.00	0.80
SA90-75-11.5EO-GR	90.00	75.00	11.50	5.00	0.80
SA95-80-12EO-GR	95.00	80.00	12.00	5.00	0.80
SA100-75-15EO-GR	100.00	75.00	15.00	5.00	0.80
SA100-80-13EO-GR	100.00	80.00	13.00	5.00	0.80
SA100-80-14EO-GR	100.00	80.00	14.00	5.00	0.80
SA100-85-12EO-GR	100.00	85.00	12.00	6.50	0.80
SA105-85-18EO-GR	105.00	85.00	18.00	6.50	0.80
SA106-86-14EO-GR	106.00	86.00	14.00	6.50	0.80
SA110-90-12.5EO-GR	110.00	90.00	12.50	6.50	0.80
SA110-95-12EO-GR	110.00	95.00	12.00	6.50	0.80
SA115-90-16EO-GR	115.00	90.00	16.00	6.50	0.80
SA125-100-14EO-GR	125.00	100.00	14.00	6.50	0.80
SA125-100-16EO-GR	125.00	100.00	16.00	6.50	0.80
SA125-105-13EO-GR	125.00	105.00	13.00	6.50	0.80
SA125-105-15EO-GR	125.00	105.00	15.00	6.50	0.80
SA150-125-15EO-GR	150.00	125.00	15.00	6.50	0.80
SA160-130-19EO-GR	160.00	130.00	19.00	6.50	0.80
SA160-135-16EO-GR	160.00	135.00	16.00	6.50	0.80
SA200-170-19EO-GR	200.00	170.00	19.00	7.50	0.80
SA200-180-15EO-GR	200.00	180.00	15.00	7.50	0.80

* Nominal Dimensions

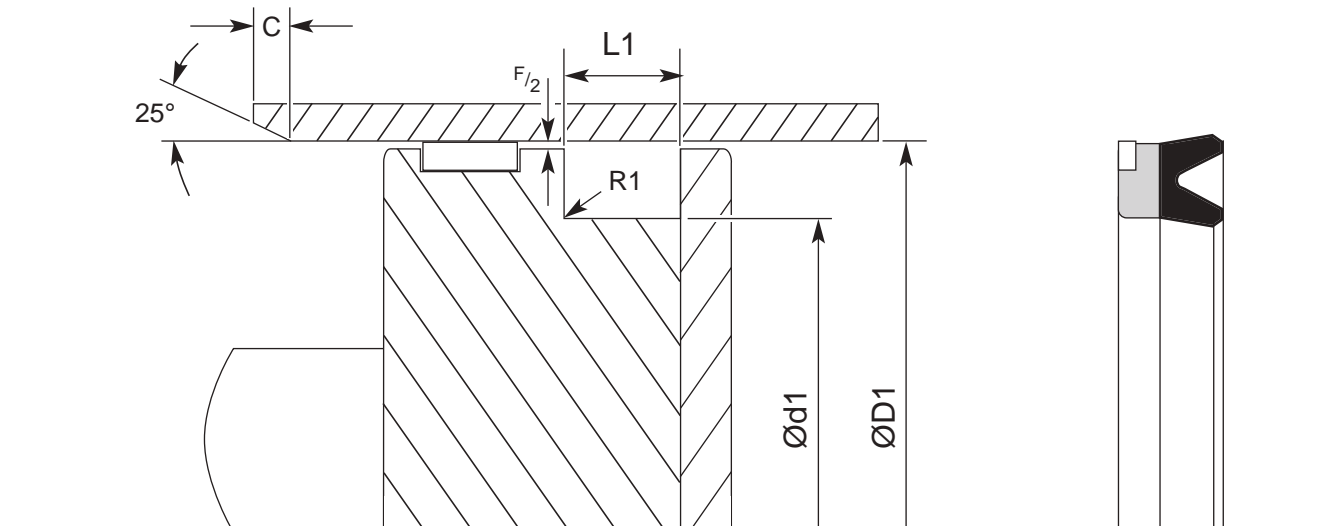
Fluid Power

The Hydraulic Seal Specialists



SA-EO-GR

Imperial **S**ingle **A**cting Piston Seal with Anti-**E**xtrusion Ring **O**utside Working **GR**ooved



Maximum Diametrical Clearance F

Pressure	Bar	100	200	300	400
Maximum Gap	Inch	0.031	0.024	0.019	0.016

Tolerances

ØD1	Ød1	L1
H10	Js11	+0.015"/+0.025"

Operating Conditions

Max Speed	Temp Range
m/s	-30° to 100°C
0.50	250 Bar
0.15	400 Bar

SA-EO-GR is designed for use as a single acting piston seal. The seal consists of a precision moulded Nitrile rubber sealing element with a fabric reinforced base and an acetal back-up ring to help prevent extrusion. Designed with initial radial interference to effect low pressure sealing, at higher pressures the seal is energised thus increasing the sealing force. The rubberised fabric also retains some of the sealing media thus reducing friction and wear. It has been designed to effect low pressure sealing through distortion of the lips rather than squeeze, therefore improving the response to pressure variations and giving a smoother return stroke at lower pressures brought about by reduced stiction.

Fluid **Power**

The Hydraulic Seal Specialists

SA-EO-GR

Imperial **S**ingle **A**cting Piston Seal with Anti-**E**xtrusion Ring **O**utside Working **GR**ooved

Part Number	*ØD1	*Ød1	*L1	min	max
				C	R1
SA112062-046EO-GR	1.125	0.625	0.468	0.156	0.015
SA141087-046EO-GR	1.417	0.875	0.468	0.156	0.015
SA150100-037EO-GR	1.500	1.000	0.375	0.156	0.015
SA175125-037EO-GR	1.750	1.250	0.375	0.156	0.015
SA178116-046EO-GR	1.786	1.161	0.468	0.156	0.015
SA187125-050EO-GR	1.875	1.250	0.500	0.156	0.015
SA200137-037EO-GR	2.000	1.375	0.375	0.156	0.015
SA212150-046EO-GR	2.125	1.500	0.468	0.156	0.015
SA225162-043EO-GR	2.250	1.625	0.437	0.156	0.015
SA237175-043EO-GR	2.375	1.750	0.437	0.200	0.015
SA250187-037EO-GR	2.500	1.875	0.375	0.200	0.015
SA262200-043EO-GR	2.625	2.000	0.437	0.200	0.015
SA275200-043EO-GR	2.750	2.000	0.437	0.200	0.015
SA275200-056EO-GR	2.750	2.000	0.562	0.200	0.031
SA275212-046EO-GR	2.750	2.125	0.468	0.200	0.015
SA300225-050EO-GR	3.000	2.250	0.500	0.200	0.031
SA312237-056EO-GR	3.125	2.375	0.562	0.200	0.031
SA325262-056EO-GR	3.250	2.625	0.562	0.200	0.031
SA350275-056EO-GR	3.500	2.750	0.562	0.200	0.031
SA350300-050EO-GR	3.500	3.000	0.500	0.200	0.015
SA362287-056EO-GR	3.625	2.875	0.562	0.200	0.031
SA362300-043EO-GR	3.625	3.000	0.437	0.200	0.031
SA375312-050EO-GR	3.750	3.125	0.500	0.200	0.031
SA400325-056EO-GR	4.000	3.250	0.562	0.200	0.031
SA425350-056EO-GR	4.250	3.500	0.562	0.200	0.031
SA450375-056EO-GR	4.500	3.750	0.562	0.200	0.031
SA500400-075EO-GR	5.000	4.000	0.750	0.250	0.046
SA600500-075EO-GR	6.000	5.000	0.750	0.250	0.046
SA700600-075EO-GR	7.000	6.000	0.750	0.250	0.046

* Nominal Dimensions

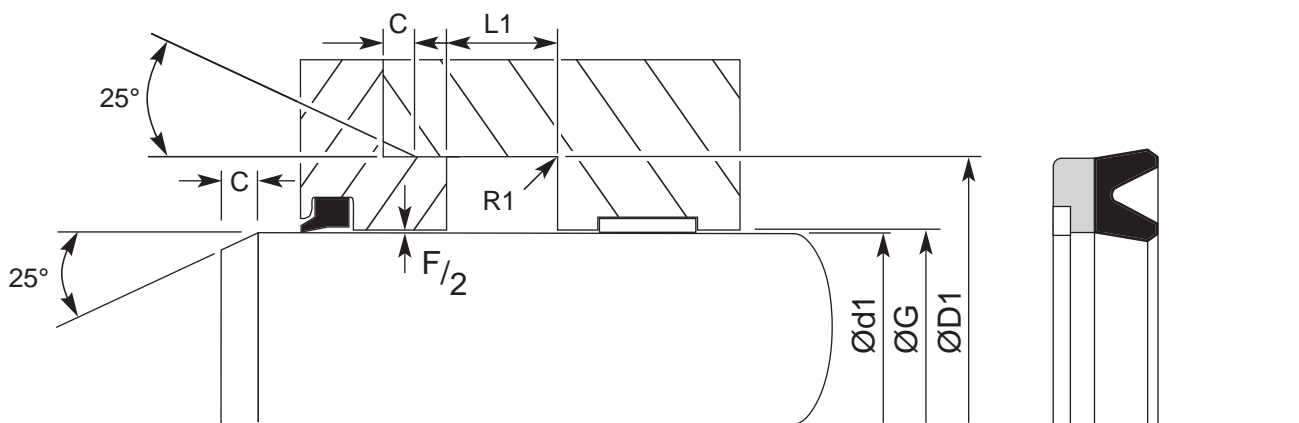
Fluid Power

The Hydraulic Seal Specialists



SA-EI-GR

Metric **S**ingle **A**cting Rod Seal with Anti-**E**xtrusion Ring **I**nside Working **GR**ooved



Maximum Diametrical Clearance F

Pressure	Bar	100	200	300	400
Maximum Gap	mm	0.80	0.60	0.48	0.40

Tolerances

ØD1	Ød1	ØG	L1
H11	h11	±0.50	+0.40/ +0.60

Operating Conditions

Max Speed	Temp Range
m/s	-30° to 100°C
0.50	250 Bar
0.15	400 Bar

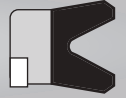
SA-EI-GR is designed for use as a single acting rod seal. The seal consists of a precision moulded Nitrile rubber sealing element with a fabric reinforced base and an acetal back-up ring to help prevent extrusion. Designed with initial radial interference to effect low pressure sealing, at higher pressures the seal is energised thus increasing the sealing force. The rubberised fabric also retains some of the sealing media thus reducing friction and wear. It has been designed to effect low pressure sealing through distortion of the lips rather than squeeze, therefore improving the response to pressure variations and giving a smoother return stroke at lower pressures brought about by reduced stiction.

Fluid Power

The Hydraulic Seal Specialists

SA-EI-GR

Metric **S**ingle **A**cting Rod Seal with Anti-**E**xtrusion Ring **I**nside Working **GR**ooved



Part Number	*ØD1	*Ød1	*L1	*ØG	min	max
					C	R1
SA22-14-6.5EI-GR	22.00	14.00	6.50	14.20	2.00	0.30
SA45-30-11EI-GR	45.00	30.00	11.00	30.20	4.00	0.40
SA50-35-8EI-GR	50.00	35.00	8.00	35.20	4.00	0.30
SA52-42-10EI-GR	52.00	42.00	10.00	42.20	2.50	0.30
SA55-40-11EI-GR	55.00	40.00	11.00	40.20	4.00	0.40
SA58-45-10EI-GR	58.00	45.00	10.00	45.20	4.00	0.40
SA60-45-10EI-GR	60.00	45.00	10.00	45.20	4.00	0.30
SA65-50-11EI-GR	65.00	50.00	11.00	50.20	5.00	0.40
SA70-55-10EI-GR	70.00	55.00	10.00	55.20	4.00	0.30
SA72-50-12EI-GR	72.00	50.00	12.00	50.20	5.00	0.80
SA72-60-9EI-GR	72.00	60.00	9.00	60.20	2.50	0.30
SA75-60-11.5EI-GR	75.00	60.00	11.50	60.20	4.00	0.30
SA80-65-11EI-GR	80.00	65.00	11.00	65.20	4.00	0.30
SA85-65-13EI-GR	85.00	65.00	13.00	65.20	5.00	0.80
SA96-80-10EI-GR	96.00	80.00	10.00	80.20	4.00	0.30
SA100-80-13EI-GR	100.00	80.00	13.00	80.20	5.00	0.80
SA100-85-11EI-GR	100.00	85.00	11.00	85.20	4.00	0.30
SA105-88-13EI-GR	105.00	88.00	13.00	88.20	4.00	0.40
SA110-90-12EI-GR	110.00	90.00	12.00	90.20	5.00	0.40
SA110-90-13EI-GR	110.00	90.00	13.00	90.20	5.00	0.80
SA112-95-11.5EI-GR	112.00	95.00	11.50	95.20	4.00	0.40
SA115-100-12EI-GR	115.00	100.00	12.00	100.20	4.00	0.40
SA120-105-11.5EI-GR	120.00	105.00	11.50	105.20	4.00	0.40
SA123-103-12EI-GR	123.00	103.00	12.00	103.20	4.00	0.40

* Nominal Dimensions

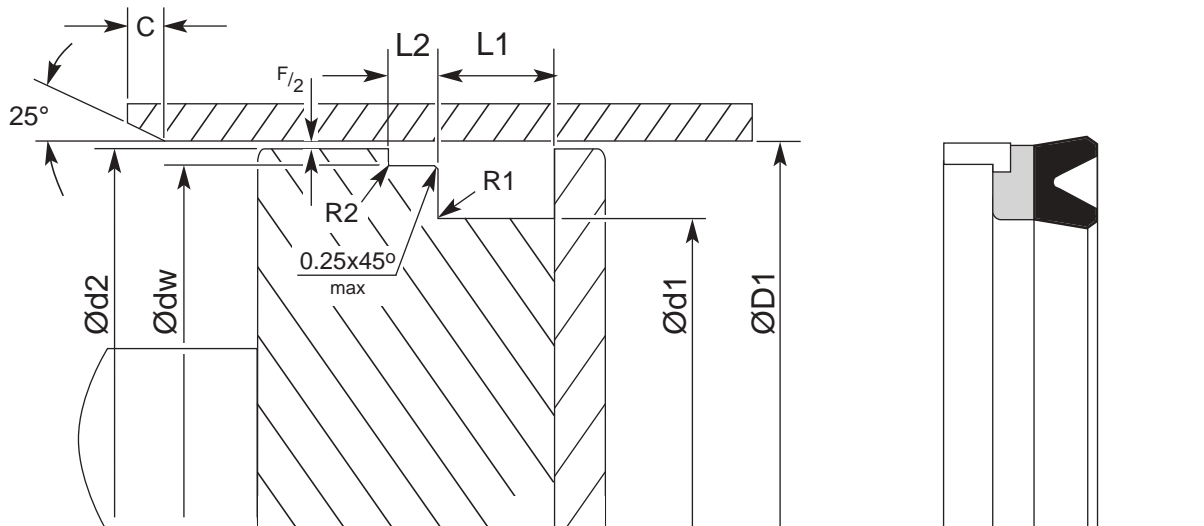
Fluid Power

The Hydraulic Seal Specialists



SA-WO-GR

Metric **S**ingle **A**cting Piston Seal with **W**ear Ring **O**utside Working **GR**ooved



Maximum Diametrical Clearance F

Pressure	Bar	100	200	300	400
Maximum Gap	mm	0.80	0.60	0.48	0.40

Tolerances

ØD1	Ød1	Ød2	Ødw	L1	L2
H10	Js11	Js11	Js10	+0.40 +0.60	+0.10 -0.00

Operating Conditions

Max Speed	Temp Range
m/s	-30° to 100°C
0.50	250 Bar
0.15	400 Bar

SA-WO-GR is designed for use as a single acting piston seal. The seal consists of a precision moulded Nitrile rubber sealing element with a fabric reinforced base and an acetal wear ring to help prevent extrusion and allow larger clearances between the piston and cylinder. Designed with initial radial interference to effect low pressure sealing, at higher pressures the seal is energised thus increasing the sealing force. The rubberised fabric also retains some of the sealing media thus reducing friction and wear. It has been designed to effect low pressure sealing through distortion of the lips rather than squeeze, therefore improving the response to pressure variations and giving a smoother return stroke at lower pressures brought about by reduced stiction.

Fluid Power

The Hydraulic Seal Specialists

SA-WO-GR

Metric **S**ingle **A**cting Piston Seal with **W**ear Ring **O**utside Working **GR**ooved



Part Number	*ØD1	*Ød1	*L1	*L2	Ødw	Ød2	C	min	max	max
								R1	R2	
SA40-25-9.5WO-GR	40.00	25.00	9.50	6.40	35.40	38.70	4.00	0.60	0.20	
SA40-26-9WO-GR	40.00	26.00	9.00	6.40	35.40	38.70	4.00	0.60	0.20	
SA50-35-11WO-GR	50.00	35.00	11.00	6.40	43.96	48.10	4.00	0.60	0.20	
SA50-40-10WO-GR	50.00	40.00	10.00	6.40	46.43	48.80	4.00	0.40	0.20	
SA50-40-11WO-GR	50.00	40.00	11.00	6.40	46.43	48.80	4.00	0.40	0.20	
SA55-40-10.5WO-GR	55.00	40.00	10.50	6.40	50.37	53.65	4.00	0.60	0.20	
SA60-40-14WO-GR	60.00	40.00	14.00	6.40	54.10	58.30	5.00	0.60	0.20	
SA63-48-9.5WO-GR	63.00	48.00	9.50	6.40	58.40	61.65	5.00	0.60	0.20	
SA63-50-10WO-GR	63.00	50.00	10.00	6.40	58.40	61.65	5.00	0.60	0.20	
SA65-50-10WO-GR	65.00	50.00	10.00	6.40	60.20	63.70	5.00	0.60	0.20	
SA70-50-14WO-GR	70.00	50.00	14.00	6.40	64.15	68.35	5.00	0.80	0.20	
SA80-60-14WO-GR	80.00	60.00	14.00	6.40	74.15	78.35	5.00	0.80	0.20	
SA80-65-12WO-GR	80.00	65.00	12.00	6.40	75.40	78.70	5.00	0.80	0.20	
SA90-70-14WO-GR	90.00	70.00	14.00	6.40	84.10	88.30	5.00	0.80	0.20	
SA100-80-14WO-GR	100.00	80.00	14.00	6.40	94.15	98.35	5.00	0.80	0.20	
SA110-90-12.5WO-GR	110.00	90.00	12.50	6.40	104.10	108.00	5.00	0.80	0.20	
SA125-100-14WO-GR	125.00	100.00	14.00	6.40	117.80	123.00	6.50	0.80	0.20	
SA125-105-15WO-GR	125.00	105.00	15.00	6.40	119.10	123.30	6.50	0.80	0.20	
SA130-110-15WO-GR	130.00	110.00	15.00	6.40	123.08	127.96	6.50	0.80	0.20	
SA160-130-19WO-GR	160.00	130.00	19.00	6.40	153.00	158.00	6.50	0.80	0.20	
SA200-170-19WO-GR	200.00	170.00	19.00	6.40	193.00	198.00	7.50	0.80	0.20	

* Nominal Dimensions

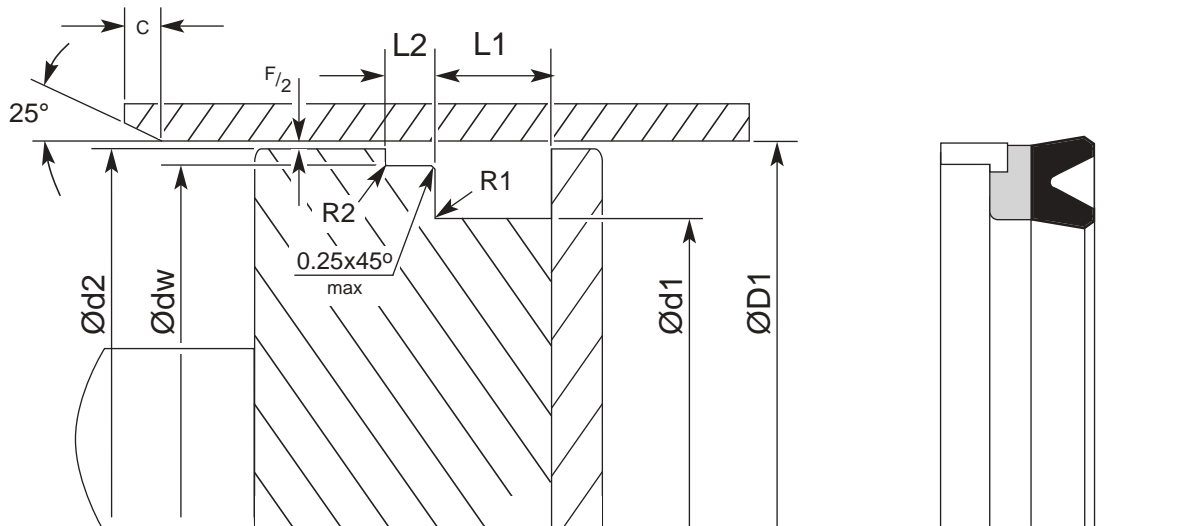
Fluid Power

The Hydraulic Seal Specialists



SA-WO-GR

Imperial **S**ingle **A**cting Piston Seal with **W**ear Ring **O**utside Working **GR**ooved



Maximum Diametrical Clearance F

Pressure	Bar	100	200	300	400
Maximum Gap	Inch	0.031	0.024	0.019	0.016

Tolerances

ØD1	Ød1	Ød2	Ødw	L1	L2
H10	Js11	Js11	Js10	+0.015" +0.025"	+0.004" -0.000"

Operating Conditions

Max Speed	Temp Range
m/s	-30° to 100°C
0.50	250 Bar
0.15	400 Bar

SA-WO-GR is designed for use as a single acting piston seal. The seal consists of a precision moulded Nitrile rubber sealing element with a fabric reinforced base and an acetal wear ring to help prevent extrusion and allow larger clearances between the piston and cylinder. Designed with initial radial interference to effect low pressure sealing, at higher pressures the seal is energised thus increasing the sealing force. The rubberised fabric also retains some of the sealing media thus reducing friction and wear. It has been designed to effect low pressure sealing through distortion of the lips rather than squeeze, therefore improving the response to pressure variations and giving a smoother return stroke at lower pressures brought about by reduced stiction.

Fluid Power

The Hydraulic Seal Specialists

SA-WO-GR

Imperial **S**ingle **A**cting Piston Seal with **W**ear Ring **O**utside Working **GR**ooved



Part Number	*ØD1	*Ød1	*L1	*L2	Ødw	Ød2	min	max	max
							C	R1	R2
SA112062-046WO-GR	1.125	0.625	0.468	0.250	0.986	1.085	0.156	0.015	0.008
SA141087-046WO-GR	1.417	0.875	0.468	0.250	1.277	1.375	0.156	0.015	0.008
SA150100-037WO-GR	1.500	1.000	0.375	0.250	1.360	1.450	0.156	0.015	0.008
SA162100-043WO-GR	1.625	1.000	0.437	0.250	1.445	1.575	0.156	0.015	0.008
SA175125-037WO-GR	1.750	1.250	0.375	0.250	1.604	1.698	0.156	0.015	0.008
SA178116-046WO-GR	1.786	1.161	0.468	0.250	1.606	1.735	0.156	0.015	0.008
SA187125-050WO-GR	1.875	1.250	0.500	0.250	1.674	1.825	0.156	0.015	0.008
SA200137-037WO-GR	2.000	1.375	0.375	0.250	1.820	1.950	0.156	0.015	0.008
SA212150-046WO-GR	2.125	1.500	0.468	0.250	1.944	2.075	0.156	0.015	0.008
SA225162-043WO-GR	2.250	1.625	0.437	0.250	2.070	2.200	0.156	0.015	0.008
SA237175-043WO-GR	2.375	1.750	0.437	0.250	2.194	2.325	0.200	0.015	0.008
SA250187-037WO-GR	2.500	1.875	0.375	0.250	2.320	2.446	0.200	0.015	0.008
SA262200-043WO-GR	2.625	2.000	0.437	0.250	2.443	2.571	0.200	0.015	0.008
SA275200-043WO-GR	2.750	2.000	0.437	0.250	2.522	2.695	0.200	0.015	0.008
SA275200-056WO-GR	2.750	2.000	0.562	0.250	2.522	2.695	0.200	0.015	0.008
SA275212-046WO-GR	2.750	2.125	0.468	0.250	2.569	2.695	0.200	0.015	0.008
SA300225-050WO-GR	3.000	2.250	0.500	0.250	2.772	2.935	0.200	0.031	0.008
SA312237-056WO-GR	3.125	2.375	0.562	0.250	2.896	3.060	0.200	0.031	0.008
SA325262-056WO-GR	3.250	2.625	0.562	0.250	3.069	3.195	0.200	0.031	0.008
SA350275-056WO-GR	3.500	2.750	0.562	0.250	3.271	3.435	0.200	0.031	0.008
SA362287-056WO-GR	3.625	2.875	0.562	0.250	3.395	3.560	0.200	0.031	0.008
SA400325-056WO-GR	4.000	3.250	0.562	0.250	3.770	3.935	0.200	0.031	0.008
SA425350-056WO-GR	4.250	3.500	0.562	0.250	4.019	4.185	0.200	0.031	0.008
SA450375-056WO-GR	4.500	3.750	0.562	0.250	4.229	4.422	0.200	0.031	0.008
SA500400-075WO-GR	5.000	4.000	0.750	0.250	4.733	4.920	0.250	0.046	0.015
SA600500-075WO-GR	6.000	5.000	0.750	0.250	5.726	5.920	0.250	0.046	0.015
SA700600-075WO-GR	7.000	6.000	0.750	0.250	6.724	6.920	0.250	0.046	0.015

* Nominal Dimensions

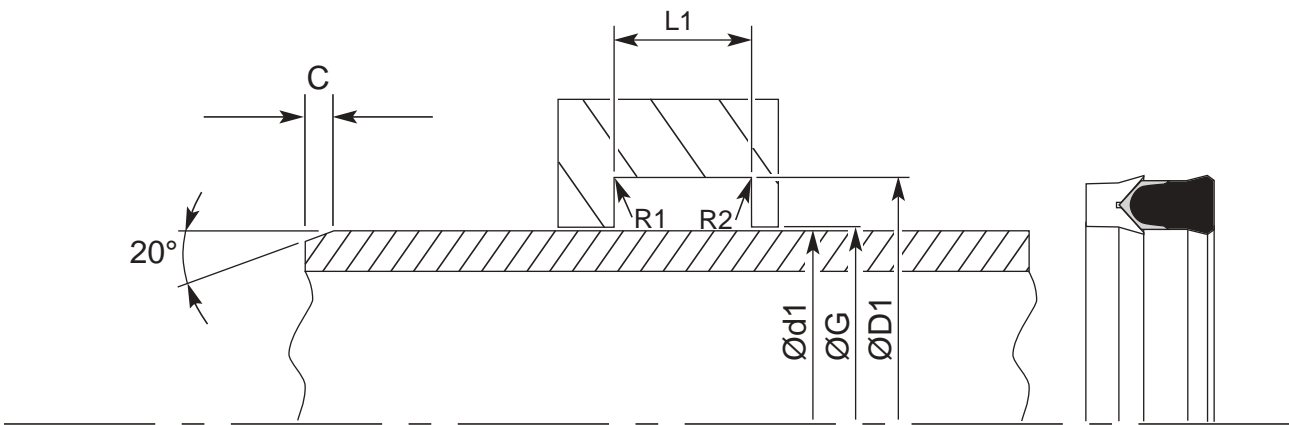
Fluid Power

The Hydraulic Seal Specialists



SA-BR-L-F

Imperial **S**ingle **A**cting Rod Seal with **B**earing **R**ing, **SAL** Style in **F**abric



Tolerances			
ØD1	Ød1	ØG	L1
±0.001"	±0.003"	H9	+0.015"/ +0.025"

Operating Conditions	
Max Speed	Temp Range
m/s	-30° to 100°C
0.50	250 Bar
0.15	400 Bar

SA-BR-L-F is designed for use as a single acting rod seal. The seal consists of a precision moulded Nitrile rubber sealing element with a fabric reinforced base and a Polyester Elastomer header to help prevent extrusion. Designed with initial radial interference to effect low pressure sealing, at higher pressures the seal is energised thus increasing the sealing force. The rubberised fabric also retains some of the sealing media which helps reduce friction and wear. This seal is commonly found in telescopic cylinders.

Fluid Power

The Hydraulic Seal Specialists

SA-BR-L-F



Imperial **S**ingle **A**cting Rod Seal with **B**earing **R**ing, **SAL** Style in **F**abric

Part Number	*ØD1	*Ød1	*L1	*ØG	min	max	max
					C	R1	R2
SA243200-075BR-L-F	2.437	2.000	0.750	2.000	0.150	0.020	0.030
SA320275-075BR-L-F	3.200	2.750	0.750	2.750	0.200	0.020	0.030
SA401350-075BR-L-F	4.013	3.500	0.750	3.500	0.200	0.020	0.030
SA487437-075BR-L-F	4.875	4.375	0.750	4.375	0.200	0.020	0.030
SA587525-075BR-L-F	5.875	5.250	0.750	5.250	0.250	0.020	0.030
SA687631-075BR-L-F	6.875	6.312	0.750	6.312	0.250	0.020	0.030
SA795731-075BR-L-F	7.954	7.312	0.750	7.312	0.300	0.020	0.030
SA900837-075BR-L-F	9.000	8.375	0.750	8.375	0.300	0.020	0.030
SA1021943-100BR-L-F	10.216	9.437	1.000	9.437	0.300	0.020	0.030

* Nominal Dimensions

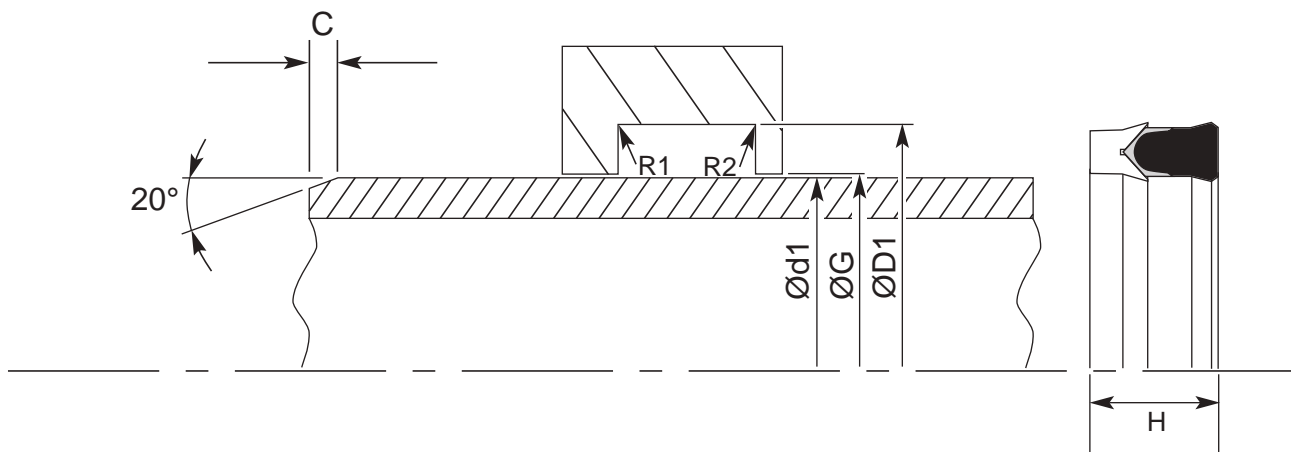
Fluid Power

The Hydraulic Seal Specialists



SA-BR-M-F

Metric **S**ingle **A**cting Rod Seal with **B**earing **R**ing, **SAM** Style in **F**abric



Tolerances

ØD1	Ød1	ØG
± 0.001	± 0.003	H9

Operating Conditions

Max Speed	Temp Range
m/s	-30° to 100°C
0.50	250 Bar
0.15	400 Bar

SA-BR-M-F is designed for use as a single acting rod seal. The seal consists of a precision moulded Nitrile rubber sealing element with a fabric reinforced base and a Polyester Elastomer header to help prevent extrusion. Designed with initial radial interference to effect low pressure sealing, at higher pressures the seal is energised thus increasing the sealing force. The rubberised fabric also retains some of the sealing media which helps reduce friction and wear. This seal is commonly found in telescopic cylinders.

Fluid Power

The Hydraulic Seal Specialists

SA-BR-M-F

Metric **S**ingle **A**cting Rod Seal with **B**earing **R**ing, **SAM** Style in **F**abric



Part Number	*ØD1	*Ød1	H	ØG	min	max	max
					C	R1	R2
SA88-79-12BR-M-F	88.00	79.00	12.00				
SA108-98-12BR-M-F	108.00	98.00	12.00				
SA127-117-14BR-M-F	127.00	117.00	14.00				
SA146-136-14BR-M-F	146.00	136.00	14.00				
SA165-155-14BR-M-F	165.00	155.00	14.00				
SA188-176-16BR-M-F	188.00	176.00	16.00				
SA210-198-17.5BR-M-F	210.00	198.00	17.50				

Complete dimensions for this range are not known.

* Nominal Dimensions

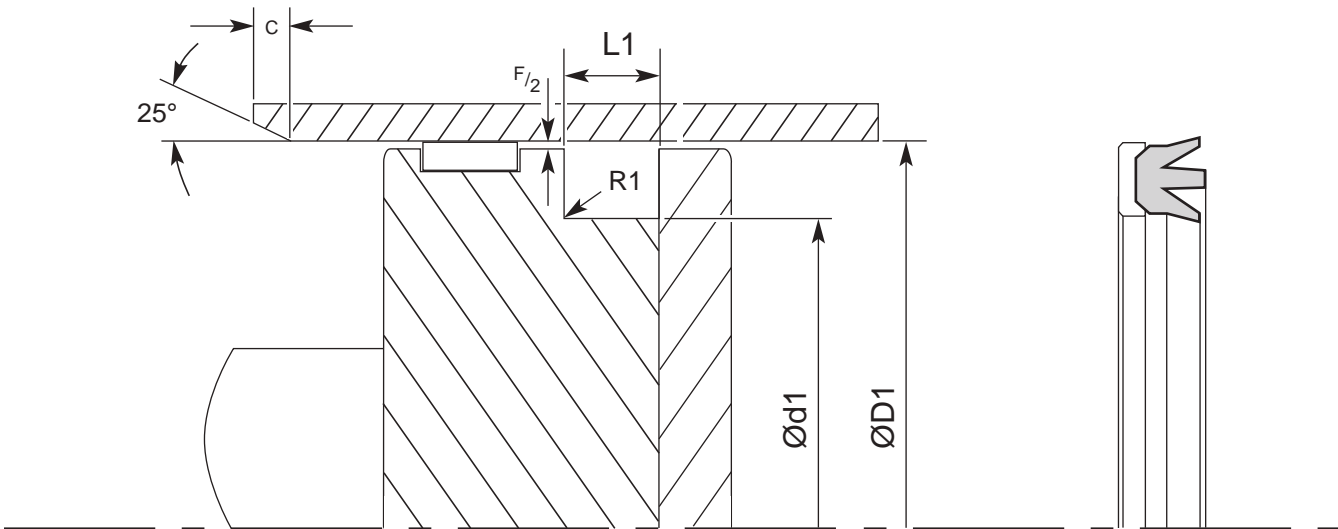
Fluid Power

The Hydraulic Seal Specialists



SU-SFD

Metric **S**ingle Acting Piston **U**-Seal, **SFD** Style



Maximum Diametrical Clearance F

Pressure	Bar	100	200	300	600
Maximum Gap	mm	0.50	0.35	0.25	0.10

Tolerances

ØD1	Ød1	L1
H9	h11	+0.30/-0.00

Operating Conditions

Max Speed	Temp Range
m/s	-30° to 100°C
0.80	400 Bar
0.15	600 Bar

SU-SFD is designed for use as a single acting piston seal and is usually arranged in a back to back piston assembly. The seal consists of a fabric reinforced sealing element with either a fabric reinforced or acetal header.

Fluid Power

The Hydraulic Seal Specialists

SU-SFD

Metric **S**ingle Acting Piston **U**-Seal, **SFD** Style

Part Number	*ØD1	*Ød1	*L1	min	max
				C	R1
SU40-25-9.5SFD	40.00	25.00	9.50	4.00	0.80
SU43-28-9.5SFD-F	43.00	28.00	9.50	4.00	0.80
SU50-35-9.5SFD	50.00	35.00	9.50	4.00	0.80
SU55-40-9.5SFD-F	55.00	40.00	9.50	4.00	0.80
SU60-45-9.5SFD-F	60.00	45.00	10.00	4.00	0.80
SU63-48-9.5SFD	63.00	48.00	9.50	4.00	0.80
SU65-45-12.5SFD-F	65.00	45.00	12.50	4.00	0.80
SU70-50-12.5SFD	70.00	50.00	12.50	5.00	0.80
SU80-60-12.5SFD	80.00	60.00	12.50	5.00	0.80
SU80-65-9.5SFD-F	80.00	65.00	9.50	5.00	0.80
SU90-70-12.5SFD-F	90.00	70.00	12.50	5.00	0.80
SU100-80-12.5SFD	100.00	80.00	12.50	5.00	0.80
SU105-85-12.5SFD	105.00	85.00	12.50	5.00	0.80
SU110-90-12.5SFD-F	110.00	90.00	12.50	5.00	0.80
SU115-90-15.5SFD-F	115.00	90.00	15.50	6.50	1.20
SU120-100-12.5SFD-F	120.00	100.00	12.50	6.50	1.20
SU125-100-15.5SFD	125.00	100.00	15.50	6.50	1.20
SU130-105-17SFD	130.00	105.00	17.00	6.50	1.20
SU140-115-15.5SFD-F	140.00	115.00	15.50	6.50	1.20
SU140-120-15SFD-F	140.00	120.00	15.00	5.00	0.80
SU160-135-16SFD-F	160.00	135.00	16.00	6.50	1.20
SU160-130-18.8SFD-F	160.00	130.00	18.80	7.50	1.60
SU180-150-19.8SFD-F	180.00	150.00	19.80	7.50	1.60
SU200-170-20SFD-F	200.00	170.00	20.00	7.50	1.60
SU220-190-19SFD-F	220.00	190.00	19.00	7.50	1.60
SU225-195-19.8SFD-F	225.00	195.00	19.80	7.50	1.60

-F at the end of the part number denotes Fabric header.

* Nominal Dimensions

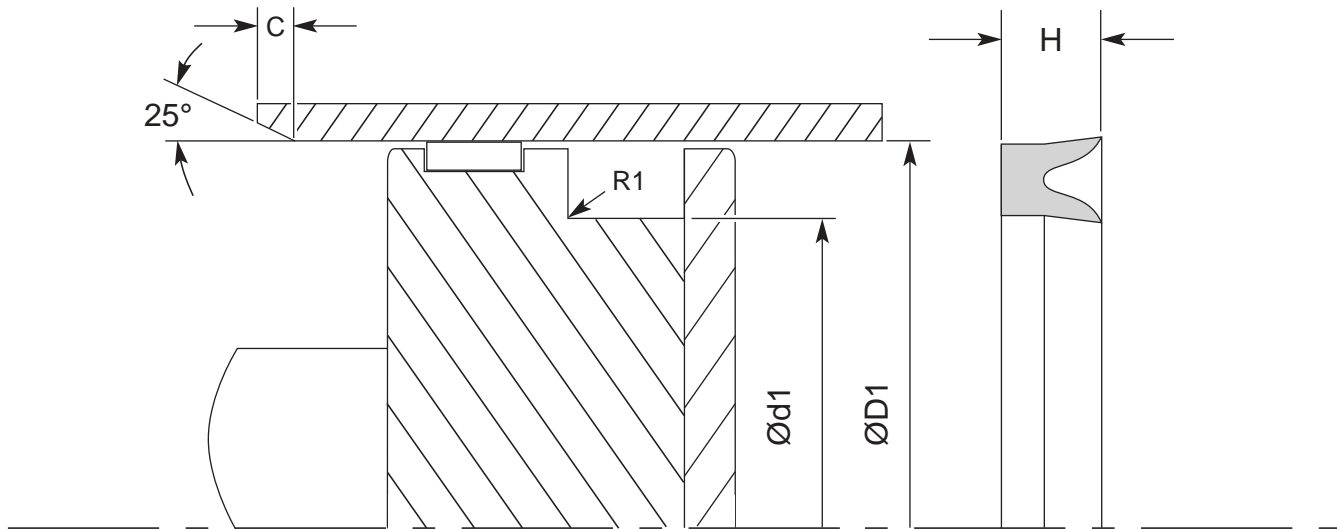
Fluid Power

The Hydraulic Seal Specialists



SU-F

Metric **S**ingle Acting **U**-Seal in **F**abric



Tolerances

ØD1	Ød1
H11	+0.03/-0.00

Operating Conditions

Max Speed	Temp Range
m/s	-30° to 100°C
0.50	250 Bar

SU-F range is specifically recommended for piston applications. They can be used for rod applications where optimum efficiency is not necessary. The seal is manufactured in a nitrile impregnated fabric.

Fluid Power

The Hydraulic Seal Specialists

SU-F

Metric **S**ingle Acting **U**-Seal in **F**abric



Part Number	*ØD1	*Ød1	H	min	max
				C	R1
SU70-50-10-F	70.00	50.00	10.00	5.00	0.80
SU75-55-10-F	75.00	55.00	10.00	5.00	0.80
SU80-60-10.5-F	80.00	60.00	10.50	5.00	0.80
SU80-60-14-F	80.00	60.00	14.00	5.00	0.80
SU110-80-17.5-F	110.00	80.00	17.50	5.00	0.80
SU120-100-14.5-F	120.00	100.00	14.50	6.00	0.80
SU125-100-12-F	125.00	100.00	12.00	6.00	0.80
SU125-100-20-F	125.00	100.00	20.00	6.00	0.80
SU135-110-20-F	135.00	110.00	20.00	6.00	0.80
SU160-135-20-F	160.00	135.00	20.00	6.00	0.80
SU200-170-25-F	200.00	170.00	25.00	8.00	0.80
SU250-220-25-F	250.00	220.00	25.00	10.00	0.80

* Nominal Dimensions

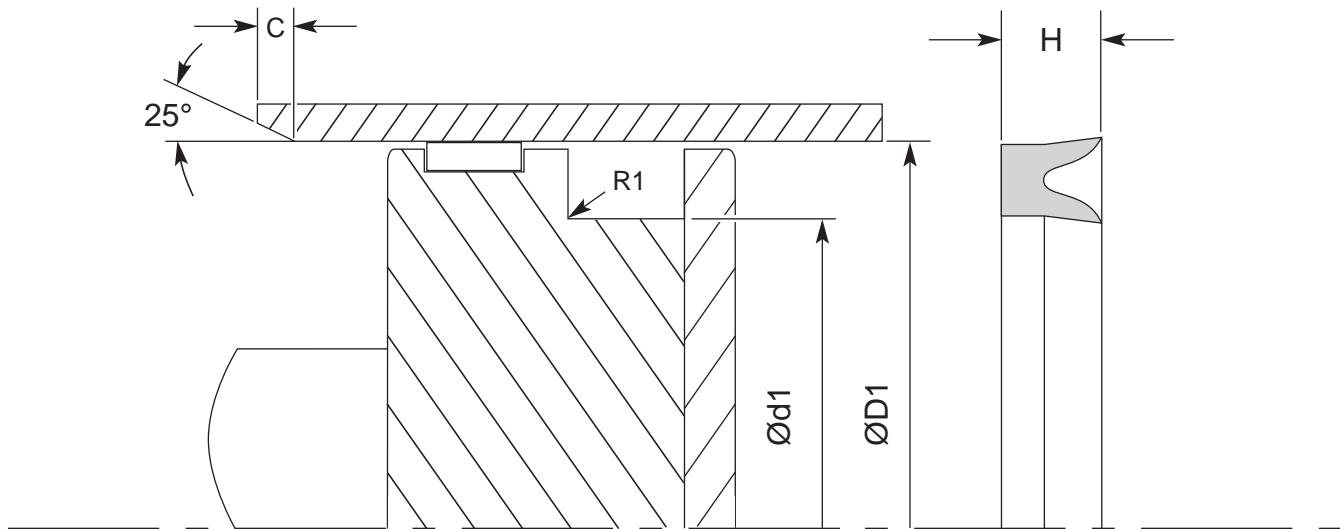
Fluid Power

The Hydraulic Seal Specialists



SU-F

Imperial **S**ingle Acting **U**-Seal in **F**abric



Tolerances

ØD1	Ød1
H11	+0.002/-0.000

Operating Conditions

Max Speed	Temp Range
m/s	-30° to 100°C
0.50	250 Bar

SU-F range is specifically recommended for piston applications. They can be used for rod applications where optimum efficiency is not necessary. The seal is manufactured in a nitrile impregnated fabric.

Fluid Power

The Hydraulic Seal Specialists

SU-F

Imperial **S**ingle Acting **U**-Seal in **F**abric



Part Number	*ØD1	*Ød1	H	C	R ₁
SU150100-025-F	1.500	1.000	0.250	0.197	0.032
SU175125-028-F	1.750	1.250	0.281	0.197	0.032
SU200137-031-F	2.000	1.375	0.312	0.197	0.032
SU200150-027-F	2.000	1.500	0.272	0.197	0.032
SU212150-031-F	2.125	1.500	0.312	0.197	0.032
SU212150-043-F	2.125	1.500	0.437	0.197	0.032
SU225162-031-F	2.250	1.625	0.312	0.197	0.032
SU250187-031-F	2.500	1.875	0.312	0.197	0.032
SU250200-027-F	2.500	2.000	0.272	0.197	0.032
SU262200-031-F	2.625	2.000	0.312	0.197	0.032
SU287212-037-F	2.875	2.125	0.375	0.197	0.032
SU300200-040-F	3.000	2.000	0.400	0.197	0.032
SU300225-050-F	3.000	2.250	0.500	0.197	0.032
SU300225-055-F	3.000	2.250	0.550	0.197	0.032
SU300237-037-F	3.000	2.375	0.375	0.197	0.032
SU300250-037-F	3.000	2.500	0.375	0.197	0.032
SU312237-037-F	3.125	2.375	0.375	0.197	0.032
SU336262-043-F	3.359	2.625	0.437	0.197	0.032
SU350275-037-F	3.500	2.750	0.375	0.197	0.032
SU350287-037-F	3.500	2.875	0.375	0.197	0.032
SU375300-037-F	3.750	3.000	0.375	0.197	0.032
SU400325-037-F	4.000	3.250	0.375	0.197	0.032
SU425225-050-F	4.250	2.250	0.500	0.197	0.032
SU450375-041-F	4.500	3.750	0.412	0.236	0.032
SU475375-079-F	4.750	3.750	0.792	0.236	0.032
SU500400-050-F	5.000	4.000	0.500	0.236	0.032
SU500400-079-F	5.000	4.000	0.792	0.236	0.032
SU500412-047-F	5.000	4.125	0.472	0.236	0.032
SU500425-050-F	5.000	4.250	0.500	0.236	0.032
SU550450-050-F	5.500	4.500	0.500	0.236	0.032
SU550450-079-F	5.500	4.500	0.792	0.236	0.032
SU550462-047-F	5.500	4.625	0.472	0.236	0.032
SU600500-050-F	6.000	5.000	0.500	0.236	0.032
SU600512-047-F	6.000	5.125	0.472	0.236	0.032
SU700600-062-F	7.000	6.000	0.625	0.236	0.032
SU800675-075-F	8.000	6.750	0.750	0.236	0.032
SU875750-062-F	8.750	7.500	0.625	0.236	0.032

* Nominal Dimensions

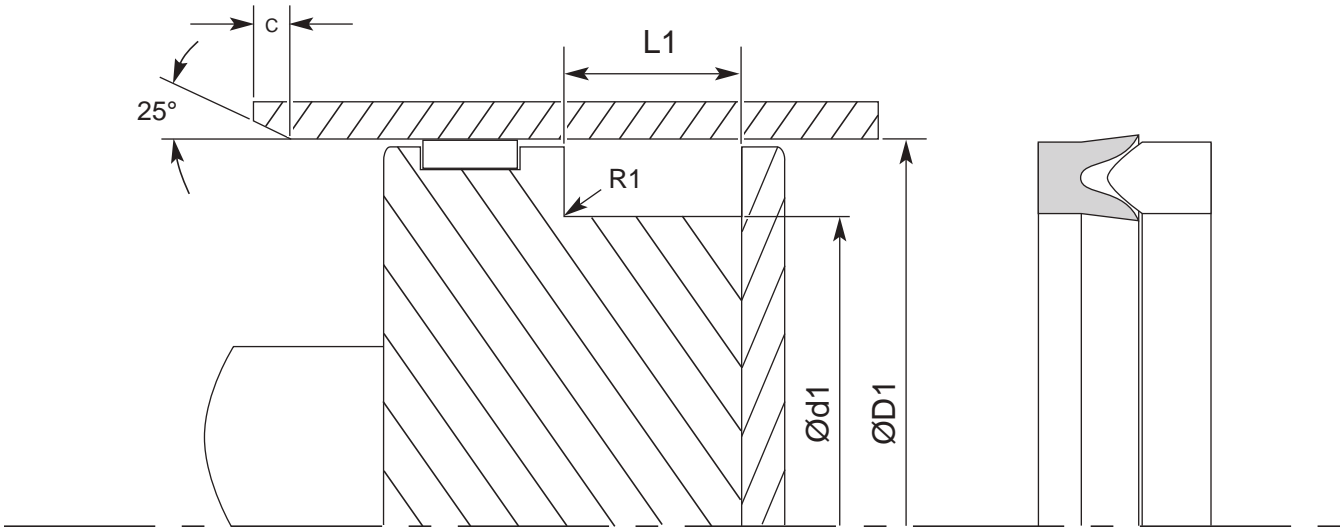
Fluid Power

The Hydraulic Seal Specialists



TS

Metric and Imperial Single Acting Fabric U-Seal, **TS** Style



Tolerances		
ØD1	Ød1	L1
H9	h11	+0.30/-0.00 +0.010/-0.000

Operating Conditions	
Max Speed	Temp Range
m/s	-30° to 100°C
0.80	400 Bar
0.15	600 Bar

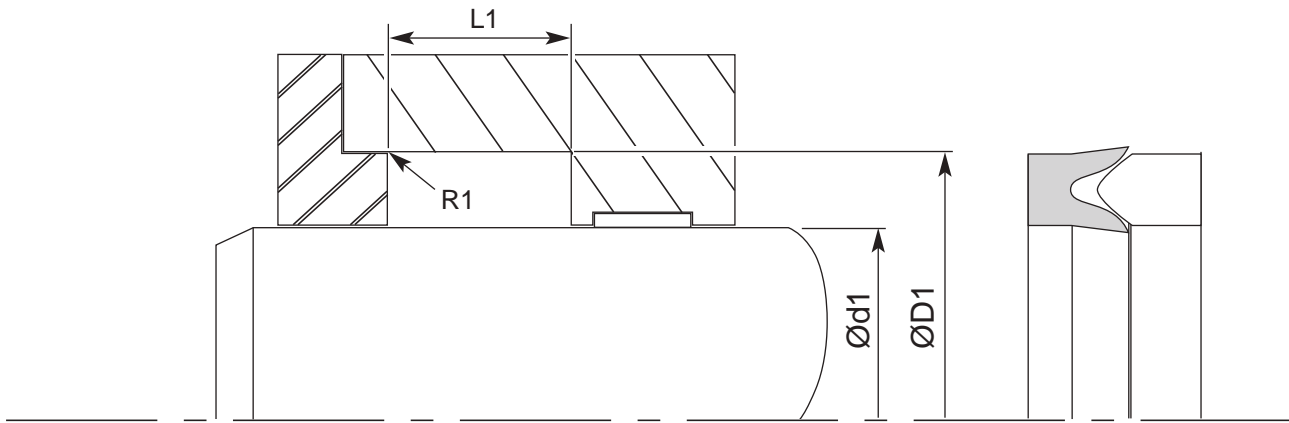
TS style seal is designed for use as a single acting piston or rod seal and may also be arranged in a back to back piston assembly. The seal consists of a fabric reinforced u-seal and a polyacetal base.

Fluid Power

The Hydraulic Seal Specialists

TS

Metric and Imperial Single Acting Fabric U-Seal, **TS** Style



Tolerances

$\varnothing D1$	$\varnothing d1$	L1
H9	h11	+0.30/-0.00 +0.010/-0.000

The **TS** style seal is designed for use as a single acting piston or rod seal and may also be arranged in a back to back piston assembly. The seal consists of a fabric reinforced u-seal and a polyacetal base.

Fluid Power

The Hydraulic Seal Specialists



TS

Metric Single Acting Fabric U-Seal, **TS** Style

Part Number	*ØD1	*Ød1	*L1	min	max
				C	R1
TS20-10-11	20.00	10.00	11.00	2.50	0.30
TS33-20-14	33.00	20.00	14.00	2.50	0.30
TS38-25-14	38.00	25.00	14.00	2.50	0.30
TS46-30-20	46.00	30.00	20.00	4.00	0.40
TS48-32-20	48.00	32.00	20.00	4.00	0.40
TS50-34-20	50.00	34.00	20.00	4.00	0.40
TS56-40-20	56.00	40.00	20.00	4.00	0.40
TS63-47-20	63.00	47.00	20.00	4.00	0.40
TS70-50-24	70.00	50.00	24.00	5.00	0.60
TS80-60-24	80.00	60.00	24.00	5.00	0.60
TS90-70-24	90.00	70.00	24.00	5.00	0.60
TS95-75-24	95.00	75.00	24.00	5.00	0.60
TS97-77-24	97.00	77.00	24.00	5.00	0.60
TS100-80-24	100.00	80.00	24.00	5.00	0.60
TS110-90-24	110.00	90.00	24.00	5.00	0.60
TS120-95-32	120.00	95.00	32.00	6.50	0.80
TS125-100-32	125.00	100.00	32.00	6.50	0.80
TS130-105-32	130.00	105.00	32.00	6.50	0.80
TS135-110-32	135.00	110.00	32.00	6.50	0.80
TS145-120-32	145.00	120.00	32.00	6.50	0.80
TS150-125-32	150.00	125.00	32.00	6.50	0.80
TS160-135-32	160.00	135.00	32.00	6.50	0.80
TS200-170-38	200.00	170.00	38.00	7.50	0.80
TS230-200-38	230.00	200.00	38.00	7.50	0.80
TS250-220-38	250.00	220.00	38.00	7.50	0.80
TS420-390-38	420.00	390.00	38.00	7.50	0.80

Fluid Power

The Hydraulic Seal Specialists

TS

Imperial Single Acting Fabric U-Seal, **TS** Style

Part Number	*ØD1	*Ød1	*L1	min C	max R ₁
TS081043-043	0.812	0.437	0.437	0.078	0.012
TS087050-043	0.875	0.500	0.437	0.078	0.012
TS100062-043	1.000	0.625	0.437	0.078	0.012
TS112062-056	1.125	0.625	0.562	0.098	0.012
TS118068-056	1.187	0.687	0.562	0.098	0.012
TS162100-075	1.625	1.000	0.750	0.157	0.016
TS175112-075	1.750	1.125	0.750	0.157	0.016
TS187125-075	1.875	1.250	0.750	0.157	0.016
TS200137-075	2.000	1.375	0.750	0.157	0.016
TS212150-075	2.125	1.500	0.750	0.157	0.016
TS225162-075	2.250	1.625	0.750	0.157	0.016
TS237175-075	2.375	1.750	0.750	0.157	0.016
TS250187-075	2.500	1.875	0.750	0.157	0.016
TS262187-068	2.625	1.875	0.687	0.157	0.016
TS275200-093	2.750	2.000	0.937	0.197	0.023
TS300225-093	3.000	2.250	0.937	0.197	0.023
TS325250-093	3.250	2.500	0.937	0.197	0.023
TS350275-093	3.500	2.750	0.937	0.197	0.023
TS400325-093	4.000	3.250	0.937	0.197	0.023
TS425350-093	4.250	3.500	0.937	0.197	0.023
TS475375-125	4.750	3.750	1.250	0.255	0.031
TS500400-125	5.000	4.000	1.250	0.255	0.031
TS550450-125	5.500	4.500	1.250	0.255	0.031
TS600500-125	6.000	5.000	1.250	0.255	0.031
TS675575-125	6.750	5.750	1.250	0.255	0.031
TS750625-150	7.500	6.250	1.500	0.295	0.031
TS925800-150	9.250	8.000	1.500	0.295	0.031
TS1100975-112	11.000	9.750	1.125	0.295	0.031
TS13001175-150	13.000	11.750	1.500	0.295	0.031

* Nominal Dimensions

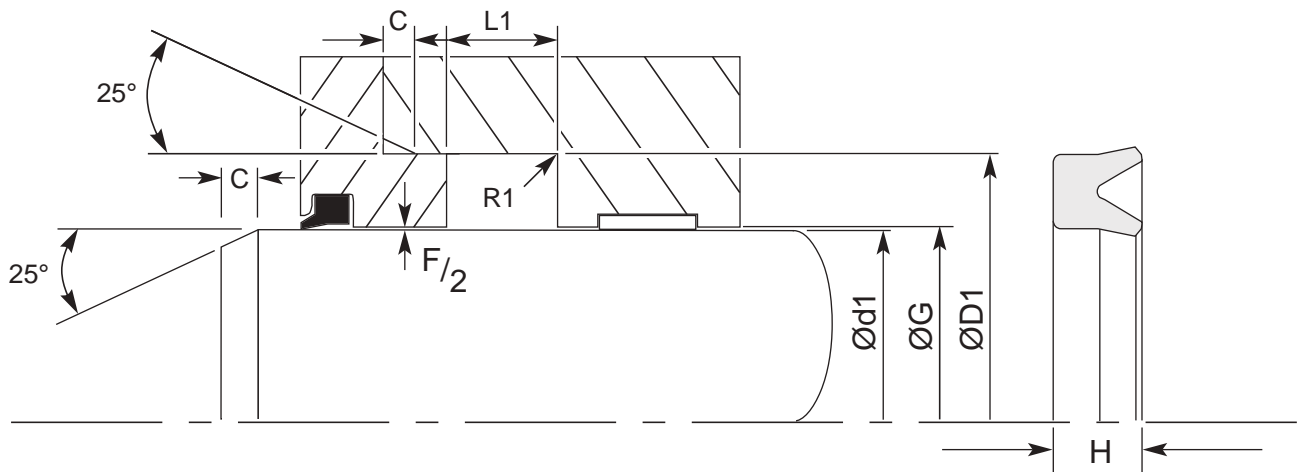
Fluid Power

The Hydraulic Seal Specialists



SU-P

Metric **S**ingle Acting Rod or Piston **U**-Seal in **P**olyurethane



Maximum Diametrical Clearance F

Pressure	Bar	100	200	300	400
Maximum Gap	mm	0.75	0.60	0.48	0.40

Tolerances

ØD1	Ød1	L1	ØG
+0.10 -0.00	f7	+0.25/-0.00	H9

Operating Conditions

Max Speed	Temp Range
m/s	-40° to 110°C
0.50	250 Bar
0.15	400 Bar

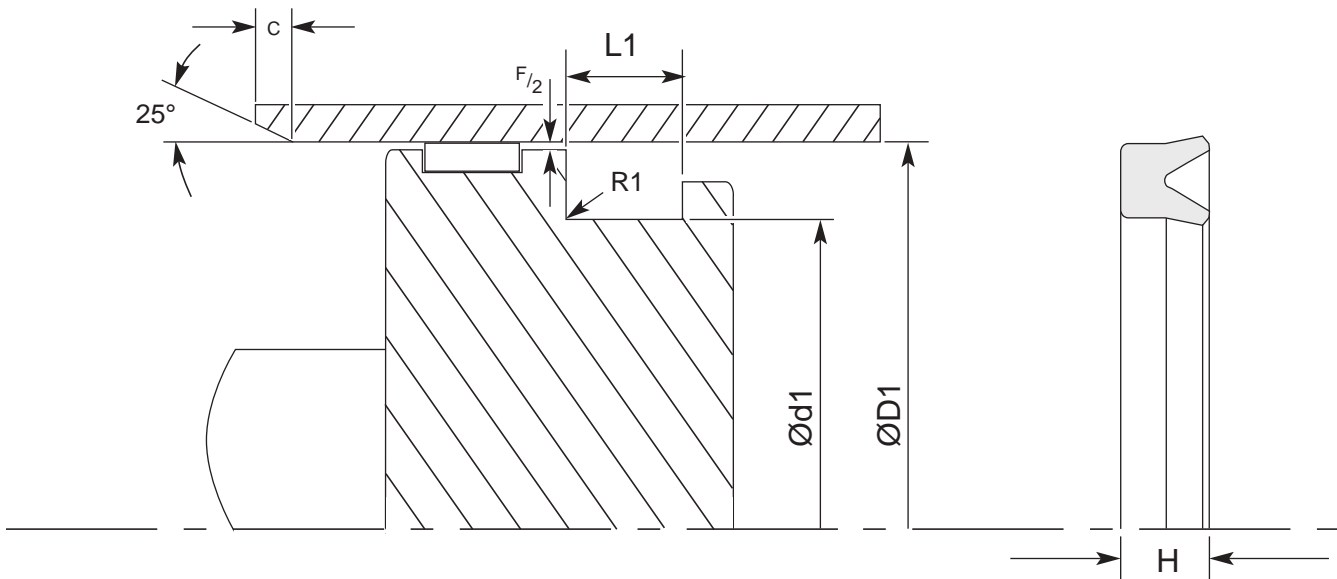
SU-P is a symmetrical seal suitable for both piston and rod applications. They are manufactured in a high performance Polyurethane which has a high abrasion resistance, a low compression set and a high resistance to extrusion. The Polyurethane properties and seal design give efficient fluid sealing, reduced friction values and low wear rate. The sealing effect of the SU-P is obtained due to the lip pre-compression when installed and the pressure effect on the lips.

Fluid Power

The Hydraulic Seal Specialists

SU-P

Metric **S**ingle Acting Rod or Piston **U**-Seal in **P**olyurethane



Maximum Diametrical Clearance F

Pressure	Bar	100	200	300	400
Maximum Gap	mm	0.75	0.60	0.48	0.40

Tolerances

ØD1	Ød1	L1
H10	+0.10 -0.00	+0.25/-0.00

Operating Conditions

Max Speed	Temp Range
m/s	-40° to 110°C
0.50	250 Bar
0.15	400 Bar

SU-P is a symmetrical seal suitable for both piston and rod applications. They are manufactured in a high performance Polyurethane which has a high abrasion resistance, a low compression set and a high resistance to extrusion. The Polyurethane properties and seal design give efficient fluid sealing, reduced friction values and low wear rate. The sealing effect of the SU-P is obtained due to the lip pre-compression when installed and the pressure effect on the lips.

Fluid Power

The Hydraulic Seal Specialists



SU-P

Metric **S**ingle Acting Rod or Piston **U**-Seal in **P**olyurethane

Part Number	*ØD1	*Ød1	H	*L1	*ØG	min	max
						C	R1
SU9-3-4.5-P	9.00	3.00	4.50	5.00	3.00	5.00	0.20
SU10-3-6-P	10.00	3.00	6.00	7.00	3.00	5.00	0.20
SU10-4-4-P	10.00	4.00	4.00	4.50	4.00	5.00	0.20
SU10-4-4.5-P	10.00	4.00	4.50	5.00	4.00	5.00	0.20
SU10-5-5-P	10.00	5.00	5.00	5.50	5.00	5.00	0.20
SU10-6-3-P	10.00	6.00	3.00	3.50	6.00	5.00	0.20
SU11-4-5-P	11.00	4.00	5.00	5.50	4.00	5.00	0.20
SU11-4.5-5-P	11.00	4.50	5.00	5.50	4.50	5.00	0.20
SU11-5-5-P	11.00	5.00	5.00	6.00	5.00	5.00	0.20
SU11-5.3-6.5-P	11.00	5.30	6.50	7.50	5.30	5.00	0.20
SU11-7-3.5-P	11.00	7.00	3.50	4.00	7.00	5.00	0.20
SU12-4-5.5-P	12.00	4.00	5.50	6.50	4.00	5.00	0.20
SU12-4-6-P	12.00	4.00	6.00	6.50	4.00	5.00	0.20
SU12-5-5-P	12.00	5.00	5.00	5.50	5.00	5.00	0.20
SU12-5-5.5-P	12.00	5.00	5.50	6.50	5.00	5.00	0.20
SU12-5-6-P	12.00	5.00	6.00	6.50	5.00	5.00	0.20
SU12-5.6-7.5-P	12.00	5.60	7.50	8.00	5.60	5.00	0.20
SU12-6-4-P	12.00	6.00	4.00	4.50	6.00	5.00	0.20
SU12-6-5.5-P	12.00	6.00	5.50	6.00	6.00	5.00	0.20
SU12-6-6-P	12.00	6.00	6.00	6.50	6.00	5.00	0.20
SU12-6-7-P	12.00	6.00	7.00	8.00	6.00	5.00	0.20
SU12-6-7.5-P	12.00	6.00	7.50	8.00	6.00	5.00	0.20
SU12-6-8-P	12.00	6.00	8.00	8.50	6.00	5.00	0.20
SU12-8-2.4-P	12.00	8.00	2.40	3.50	8.00	5.00	0.20
SU12.5-4.5-4.5-P	12.50	4.50	4.50	5.00	4.50	5.00	0.20
SU12.7-5-8-P	12.70	5.00	8.00	9.00	5.00	5.00	0.20
SU13-6-8-P	13.00	6.00	8.00	8.50	8.00	5.00	0.20
SU14-6-6-P	14.00	6.00	6.00	6.50	6.00	5.00	0.20
SU14-6-9-P	14.00	6.00	9.00	10.00	6.00	5.00	0.20
SU14-7-3.5-P	14.00	7.00	3.50	4.20	7.00	5.00	0.20
SU14-7-7-P	14.00	7.00	7.00	8.00	7.00	5.00	0.20
SU14-8-4-P	14.00	8.00	4.00	5.00	8.00	5.00	0.20
SU14-8-6-P	14.00	8.00	6.00	7.00	8.00	5.00	0.20
SU14-10-2.3-P	14.00	10.00	2.30	2.80	10.00	5.00	0.20
SU15-5-8-P	15.00	5.00	8.00	9.00	5.00	5.00	0.30
SU15-6-4-P	15.00	6.00	4.00	4.50	6.00	5.00	0.20
SU15-6-5-P	15.00	6.00	5.00	6.00	6.00	5.00	0.20
SU15-6-8-P	15.00	6.00	8.00	9.00	6.00	5.00	0.20
SU15-7-5-P	15.00	7.00	5.00	6.00	7.00	5.00	0.20
SU15-7-7-P	15.00	7.00	7.00	8.00	7.00	5.00	0.20

107 * Nominal Dimensions

Fluid Power

The Hydraulic Seal Specialists

SU-P

Metric **S**ingle Acting Rod or Piston **U**-Seal in **P**olyurethane

Part Number	*ØD1	*Ød1	H	*L1	*ØG	min	max
						C	R1
SU15-8-5.7-P	15.00	8.00	5.70	6.30	8.00	5.00	0.20
SU15-8-8-P	15.00	8.00	8.00	9.00	8.00	5.00	0.20
SU15-9-8-P	15.00	9.00	8.00	9.00	9.00	5.00	0.20
SU16-6-6-P	16.00	6.00	6.00	7.00	6.00	5.00	0.30
SU16-8-5.7-P	16.00	8.00	5.70	6.30	8.00	5.00	0.20
SU16-8-8-P	16.00	8.00	8.00	9.00	8.00	5.00	0.20
SU16-9-7-P	16.00	9.00	7.00	8.00	9.00	5.00	0.20
SU16-10-4-P	16.00	10.00	4.00	4.50	10.00	5.00	0.20
SU16-10-4.5-P	16.00	10.00	4.50	5.00	10.00	5.00	0.20
SU16-10-5.5-P	16.00	10.00	5.50	6.00	10.00	5.00	0.20
SU16-10-6-P	16.00	10.00	6.00	6.50	10.00	5.00	0.20
SU17-5-9-P	17.00	5.00	9.00	10.00	5.00	5.00	0.30
SU17-9-6-P	17.00	9.00	6.00	7.00	9.00	5.00	0.30
SU17-11-4.4-P	17.00	11.00	4.40	5.00	11.00	5.00	0.20
SU18-8-8-P	18.00	8.00	8.00	9.00	8.00	5.00	0.30
SU18-8-9-P	18.00	8.00	9.00	10.00	8.00	5.00	0.30
SU18-10-5-P	18.00	10.00	5.00	6.00	10.00	5.00	0.20
SU18-10-5.5-P	18.00	10.00	5.50	6.00	10.00	5.00	0.20
SU18-10-6-P	18.00	10.00	6.00	7.00	10.00	5.00	0.20
SU18-10-8-P	18.00	10.00	8.00	9.00	10.00	5.00	0.20
SU18-12-3-P	18.00	12.00	3.00	3.50	12.00	5.00	0.20
SU18-12-4-P	18.00	12.00	4.00	4.50	12.00	5.00	0.20
SU18-12-4.8-P	18.00	12.00	4.80	5.50	12.00	5.00	0.20
SU18-12-5-P	18.00	12.00	5.00	6.00	12.00	5.00	0.20
SU18-12-6-P	18.00	12.00	6.00	7.00	12.00	5.00	0.20
SU18-14-5-P	18.00	14.00	5.00	5.50	14.00	5.00	0.20
SU19-9-6-P	19.00	9.00	6.00	7.00	9.00	5.00	0.30
SU19.2-11.2-5-P	19.20	11.20	5.00	6.00	11.20	5.00	0.20
SU20-8-8-P	20.00	8.00	8.00	9.00	8.00	5.00	0.30
SU20-10-5-P	20.00	10.00	5.00	6.00	10.00	5.00	0.30
SU20-10-8-P	20.00	10.00	8.00	9.00	10.00	5.00	0.30
SU20-12-4.4-P	20.00	12.00	4.40	5.00	12.00	5.00	0.20
SU20-12-5-P	20.00	12.00	5.00	6.00	12.00	5.00	0.20
SU20-12-7-P	20.00	12.00	7.00	8.00	12.00	5.00	0.20
SU20-12-8-P	20.00	12.00	8.00	9.00	12.00	5.00	0.20
SU20-14-4-P	20.00	14.00	4.00	4.50	14.00	5.00	0.20
SU20-14-4.8-P	20.00	14.00	4.80	5.30	14.00	5.00	0.20
SU20-14-6-P	20.00	14.00	6.00	7.00	14.00	5.00	0.20
SU20-15-3-P	20.00	15.00	3.00	3.50	15.00	5.00	0.20
SU20.5-11-6-P	20.50	11.00	6.00	7.00	11.00	5.00	0.20

* Nominal Dimensions

Fluid Power

The Hydraulic Seal Specialists



SU-P

Metric **S**ingle Acting Rod or Piston **U**-Seal in **P**olyurethane

Part Number	*ØD1	*Ød1	H	*L1	*ØG	min	max
						C	R1
SU21-15-3-P	21.00	15.00	3.00	3.50	15.00	5.00	0.20
SU22-8-8-P	22.00	8.00	8.00	9.00	8.00	5.00	0.30
SU22-10-6-P	22.00	10.00	6.00	7.00	10.00	5.00	0.20
SU22-10-8-P	22.00	10.00	8.00	9.00	10.00	5.00	0.20
SU22-11-8-P	22.00	11.00	8.00	9.00	11.00	5.00	0.30
SU22-12-5-P	22.00	12.00	5.00	6.00	12.00	5.00	0.30
SU22-12-6-P	22.00	12.00	6.00	7.00	12.00	5.00	0.30
SU22-12-7-P	22.00	12.00	7.00	8.00	12.00	5.00	0.30
SU22-12-8-P	22.00	12.00	8.00	9.00	12.00	5.00	0.30
SU22-14-3.9-P	22.00	14.00	3.90	4.50	14.00	5.00	0.20
SU22-14-4.5-P	22.00	14.00	4.50	5.00	14.00	5.00	0.20
SU22-14-5-P	22.00	14.00	5.00	5.70	14.00	5.00	0.20
SU22-14-6-P	22.00	14.00	6.00	7.00	14.00	5.00	0.20
SU22-14-8-P	22.00	14.00	8.00	9.00	14.00	5.00	0.20
SU22-14-11-P	22.00	14.00	11.00	12.00	14.00	5.00	0.20
SU22-14-12-P	22.00	14.00	12.00	13.00	14.00	5.00	0.20
SU22-15-4-P	22.00	15.00	4.00	4.50	15.00	5.00	0.20
SU22-15-5.5-P	22.00	15.00	5.50	6.50	15.00	5.00	0.20
SU22-16-4-P	22.00	16.00	4.00	4.50	16.00	5.00	0.20
SU22-16-4.5-P	22.00	16.00	4.50	5.00	16.00	5.00	0.20
SU22-16-5-P	22.00	16.00	5.00	5.50	16.00	5.00	0.20
SU22-16-6-P	22.00	16.00	6.00	7.00	16.00	5.00	0.20
SU24-12-8-P	24.00	12.00	8.00	9.00	12.00	5.00	0.30
SU24-12-9-P	24.00	12.00	9.00	10.00	12.00	5.00	0.30
SU24-12-10-P	24.00	12.00	10.00	11.00	12.00	5.00	0.30
SU24-14-6-P	24.00	14.00	6.00	7.00	14.00	5.00	0.30
SU24-14-8-P	24.00	14.00	8.00	9.00	14.00	5.00	0.30
SU24-16-4.5-P	24.00	16.00	4.50	5.00	16.00	5.00	0.20
SU24-16-5-P	24.00	16.00	5.00	6.00	16.00	5.00	0.20
SU24-16-6-P	24.00	16.00	6.00	7.00	16.00	5.00	0.20
SU24-16-9-P	24.00	16.00	9.00	10.00	16.00	5.00	0.20
SU24-16-10-P	24.00	16.00	10.00	11.00	16.00	5.00	0.20
SU24-18-8-P	24.00	18.00	8.00	9.00	18.00	5.00	0.30
SU25-10-10-P	25.00	10.00	10.00	11.00	10.00	5.00	0.30
SU25-12-8-P	25.00	12.00	8.00	9.00	12.00	5.00	0.30
SU25-12-10-P	25.00	12.00	10.00	11.00	12.00	5.00	0.30
SU25-14-5.5-P	25.00	14.00	5.50	6.10	14.00	5.00	0.30
SU25-15-5-P	25.00	15.00	5.00	5.50	15.00	5.00	0.30
SU25-15-8-P	25.00	15.00	8.00	9.00	15.00	5.00	0.30
SU25-15-10-P	25.00	15.00	10.00	11.00	15.00	5.00	0.30

109 * Nominal Dimensions

Fluid Power

The Hydraulic Seal Specialists

SU-P

Metric **S**ingle Acting Rod or Piston **U**-Seal in **P**olyurethane

Part Number	*ØD1	*Ød1	H	*L1	*ØG	min	max
						C	R1
SU25-16-7.5-P	25.00	16.00	7.50	8.25	15.00	5.00	0.20
SU25-16-8-P	25.00	16.00	8.00	9.00	15.00	5.00	0.20
SU25-17-4-P	25.00	17.00	4.00	4.50	17.00	5.00	0.20
SU25-17-4.5-P	25.00	17.00	4.50	5.00	17.00	5.00	0.20
SU25-17-9.5-P	25.00	17.00	9.50	10.50	17.00	5.00	0.20
SU25-17-10-P	25.00	17.00	10.00	11.00	17.00	5.00	0.20
SU25-18-5-P	25.00	18.00	5.00	5.50	18.00	5.00	0.20
SU25-18-6-P	25.00	18.00	6.00	6.75	18.00	5.00	0.20
SU25-19-6-P	25.00	19.00	6.00	7.00	19.00	5.00	0.20
SU25-20-3-P	25.00	20.00	3.00	3.50	20.00	5.00	0.20
SU26-16-5-P	26.00	16.00	5.00	6.00	16.00	5.00	0.30
SU26-16-6-P	26.00	16.00	6.00	7.00	16.00	5.00	0.30
SU26-16-8-P	26.00	16.00	8.00	9.00	16.00	5.00	0.30
SU26-16-10-P	26.00	16.00	10.00	11.00	16.00	5.00	0.30
SU26-18-4-P	26.00	18.00	4.00	4.50	18.00	5.00	0.20
SU26-18-4.4-P	26.00	18.00	4.40	5.00	18.00	5.00	0.20
SU26-18-5-P	26.00	18.00	5.00	5.50	18.00	5.00	0.20
SU26-18-6-P	26.00	18.00	6.00	6.60	18.00	5.00	0.20
SU26-18-6.5-P	26.00	18.00	6.50	7.50	18.00	5.00	0.20
SU26-18-8-P	26.00	18.00	8.00	9.00	18.00	5.00	0.20
SU26-18-8.5-P	26.00	18.00	8.50	9.50	18.00	5.00	0.20
SU26-20-3.5-P	26.00	20.00	3.50	4.00	20.00	5.00	0.20
SU27-15-6-P	27.00	15.00	6.00	7.00	15.00	5.00	0.30
SU27-20-6-P	27.00	20.00	6.00	6.50	20.00	5.00	0.20
SU28-10-9-P	28.00	10.00	9.00	9.50	10.00	5.00	0.30
SU28-12-10-P	28.00	12.00	10.00	11.00	12.00	5.00	0.30
SU28-14-10-P	28.00	14.00	10.00	11.00	14.00	5.00	0.30
SU28-15-8-P	28.00	15.00	8.00	9.00	15.00	5.00	0.30
SU28-15-10-P	28.00	15.00	10.00	11.00	15.00	5.00	0.30
SU28-16-6-P	28.00	16.00	6.00	7.00	16.00	5.00	0.30
SU28-16-8-P	28.00	16.00	8.00	9.00	16.00	5.00	0.30
SU28-18-6-P	28.00	18.00	6.00	7.00	18.00	5.00	0.30
SU28-18-7.3-P	28.00	18.00	7.30	8.00	18.00	5.00	0.30
SU28-18-8-P	28.00	18.00	8.00	9.00	18.00	5.00	0.30
SU28-20-4.4-P	28.00	20.00	4.40	5.00	20.00	5.00	0.20
SU28-20-5-P	28.00	20.00	5.00	6.00	20.00	5.00	0.20
SU28-20-6.5-P	28.00	20.00	6.50	7.25	20.00	5.00	0.20
SU28-20-8-P	28.00	20.00	8.00	9.00	20.00	5.00	0.20
SU28-22-4-P	28.00	22.00	4.00	4.50	22.00	5.00	0.20
SU28-22-4.5-P	28.00	22.00	4.50	5.50	22.00	5.00	0.20

* Nominal Dimensions

Fluid Power

The Hydraulic Seal Specialists



SU-P

Metric **S**ingle Acting Rod or Piston **U**-Seal in **P**olyurethane

Part Number	*ØD1	*Ød1	H	*L1	*ØG	min	max
						C	R1
SU28-22-8-P	28.00	22.00	8.00	9.00	22.00	5.00	0.20
SU29-20-5-P	29.00	20.00	5.00	5.50	20.00	5.00	0.20
SU30-15-6-P	30.00	15.00	6.00	7.00	15.00	5.00	0.30
SU30-15-8-P	30.00	15.00	8.00	8.50	15.00	5.00	0.30
SU30-18-7.5-P	30.00	18.00	7.50	8.50	18.00	5.00	0.30
SU30-18-8-P	30.00	18.00	8.00	9.00	18.00	5.00	0.30
SU30-18-8.5-P	30.00	18.00	8.50	9.50	18.00	5.00	0.30
SU30-18-10-P	30.00	18.00	10.00	11.00	18.00	5.00	0.30
SU30-20-6-P	30.00	20.00	6.00	7.00	20.00	5.00	0.30
SU30-20-7-P	30.00	20.00	7.00	8.00	20.00	5.00	0.30
SU30-20-8-P	30.00	20.00	8.00	9.00	20.00	5.00	0.30
SU30-20-10-P	30.00	20.00	10.00	11.00	20.00	5.00	0.30
SU30-22-4.4-P	30.00	22.00	4.40	5.00	22.00	5.00	0.20
SU30-22-5-P	30.00	22.00	5.00	6.00	22.00	5.00	0.20
SU30-22-6-P	30.00	22.00	6.00	7.00	22.00	5.00	0.20
SU30-22-7-P	30.00	22.00	7.00	8.00	22.00	5.00	0.20
SU30-22-10-P	30.00	22.00	10.00	11.00	22.00	5.00	0.20
SU30-22.4-5-P	30.00	22.40	5.00	5.70	22.40	5.00	0.20
SU30-23-6.5-P	30.00	23.00	6.50	7.50	23.00	5.00	0.20
SU30-25-8-P	30.00	25.00	8.00	9.00	25.00	5.00	0.30
SU31-20-8-P	31.00	20.00	8.00	9.00	20.00	5.00	0.30
SU31.5-23.5-5-P	31.50	23.50	5.00	6.00	23.50	5.00	0.30
SU32-14-8-P	32.00	14.00	8.00	9.00	14.00	5.00	0.30
SU32-16-8-P	32.00	16.00	8.00	9.00	16.00	5.00	0.30
SU32-16-10-P	32.00	16.00	10.00	11.00	16.00	5.00	0.30
SU32-18-7-P	32.00	18.00	7.00	8.00	18.00	5.00	0.30
SU32-20-5-P	32.00	20.00	5.00	6.00	20.00	5.00	0.30
SU32-20-7.5-P	32.00	20.00	7.50	8.50	20.00	5.00	0.30
SU32-20-8-P	32.00	20.00	8.00	9.00	20.00	5.00	0.30
SU32-22-5-P	32.00	22.00	5.00	5.50	22.00	5.00	0.30
SU32-22-7-P	32.00	22.00	7.00	8.00	22.00	5.00	0.30
SU32-22-8-P	32.00	22.00	8.00	9.00	22.00	5.00	0.30
SU32-22-10-P	32.00	22.00	10.00	11.00	22.00	5.00	0.30
SU32-24-4-P	32.00	24.00	4.00	4.50	24.00	5.00	0.20
SU32-24-4.5-P	32.00	24.00	4.50	5.00	24.00	5.00	0.20
SU32-24-6.5-P	32.00	24.00	6.50	7.50	24.00	5.00	0.20
SU32-24-7-P	32.00	24.00	7.00	8.00	24.00	5.00	0.20
SU32-25-7-P	32.00	25.00	7.00	8.00	25.00	5.00	0.20
SU32.4-22.4-8-P	32.40	22.40	8.00	9.00	22.40	5.00	0.30
SU33-20-8-P	33.00	20.00	8.00	8.50	20.00	5.00	0.30

Fluid Power

The Hydraulic Seal Specialists

SU-P

Metric **S**ingle Acting Rod or Piston **U**-Seal in **P**olyurethane

Part Number	*ØD1	*Ød1	H	*L1	*ØG	min	max
						C	R1
SU33-25-4-P	33.00	25.00	4.00	4.50	25.00	5.00	0.20
SU33-25-4.5-P	33.00	25.00	4.50	5.00	25.00	5.00	0.20
SU33-25-5-P	33.00	25.00	5.00	5.60	25.00	5.00	0.20
SU33-25-5.7-P	33.00	25.00	5.70	6.30	25.00	5.00	0.20
SU33-25-8-P	33.00	25.00	8.00	8.75	25.00	5.00	0.20
SU34-18-8-P	34.00	18.00	8.00	8.50	18.00	5.00	0.30
SU34-22-6-P	34.00	22.00	6.00	7.00	22.00	5.00	0.30
SU34-24-5-P	34.00	24.00	5.00	6.00	24.00	5.00	0.30
SU35-20-10-P	35.00	20.00	10.00	11.00	20.00	5.00	0.20
SU35-20-12-P	35.00	20.00	12.00	13.00	20.00	5.00	0.20
SU35-22-10-P	35.00	22.00	10.00	11.00	22.00	5.00	0.20
SU35-25-5-P	35.00	25.00	5.00	5.50	25.00	5.00	0.30
SU35-25-6-P	35.00	25.00	6.00	7.00	25.00	5.00	0.30
SU35-25-7-P	35.00	25.00	7.00	8.00	25.00	5.00	0.30
SU35-25-8-P	35.00	25.00	8.00	9.00	25.00	5.00	0.30
SU35-25-10-P	35.00	25.00	10.00	11.00	25.00	5.00	0.30
SU35-27-4-P	35.00	27.00	4.00	4.50	27.00	5.00	0.20
SU35-28-5-P	35.00	28.00	5.00	5.50	28.00	5.00	0.20
SU35.5-28-5-P	35.50	28.00	5.00	5.70	28.00	5.00	0.20
SU36-20-8-P	36.00	20.00	8.00	9.00	20.00	5.00	0.30
SU36-20-10-P	36.00	20.00	10.00	11.00	20.00	5.00	0.30
SU36-25-7-P	36.00	25.00	7.00	8.00	25.00	5.00	0.20
SU36-28-4-P	36.00	28.00	4.00	4.50	28.00	5.00	0.20
SU36-28-5-P	36.00	28.00	5.00	6.00	28.00	5.00	0.20
SU36-28-5.5-P	36.00	28.00	5.50	6.00	28.00	5.00	0.20
SU36-28-6-P	36.00	28.00	6.00	7.00	28.00	5.00	0.20
SU36-28-6.5-P	36.00	28.00	6.50	7.50	28.00	5.00	0.20
SU37-25-7-P	37.00	25.00	7.00	8.00	25.00	5.00	0.20
SU37-28-3.7-P	37.00	28.00	3.70	4.20	28.00	5.00	0.20
SU37-30-6-P	37.00	30.00	6.00	7.00	30.00	5.00	0.20
SU37-30-8-P	37.00	30.00	8.00	8.50	30.00	5.00	0.20
SU37-30-10-P	37.00	30.00	10.00	11.00	30.00	5.00	0.20
SU38-25-8-P	38.00	25.00	8.00	9.00	25.00	5.00	0.30
SU38-25-10-P	38.00	25.00	10.00	11.00	25.00	5.00	0.30
SU38-27-6-P	38.00	27.00	6.00	7.00	27.00	5.00	0.30
SU38-28-5.6-P	38.00	28.00	5.60	6.30	28.00	5.00	0.30
SU38-28-7-P	38.00	28.00	7.00	8.00	28.00	5.00	0.30
SU38-28-8-P	38.00	28.00	8.00	9.00	28.00	5.00	0.30
SU38-28-10-P	38.00	28.00	10.00	11.00	28.00	5.00	0.30
SU38-30-4-P	38.00	30.00	4.00	4.50	30.00	5.00	0.20

* Nominal Dimensions

Fluid Power

The Hydraulic Seal Specialists



SU-P

Metric **S**ingle Acting Rod or Piston **U**-Seal in **P**olyurethane

Part Number	*ØD1	*Ød1	H	*L1	*ØG	min	max
						C	R1
SU38-30-5-P	38.00	30.00	5.00	5.50	38.00	5.00	0.20
SU38-30-6-P	38.00	30.00	6.00	6.50	30.00	5.00	0.20
SU38-30-7-P	38.00	30.00	7.00	8.00	30.00	5.00	0.20
SU38-30-10-P	38.00	30.00	10.00	11.00	30.00	5.00	0.20
SU39-20-10-P	39.00	20.00	10.00	11.00	20.00	5.00	0.30
SU40-20-10-P	40.00	20.00	10.00	11.00	20.00	5.00	0.30
SU40-20-11-P	40.00	20.00	11.00	12.00	20.00	5.00	0.30
SU40-20-12-P	40.00	20.00	12.00	13.00	20.00	5.00	0.30
SU40-22-10-P	40.00	22.00	10.00	11.00	22.00	5.00	0.30
SU40-22-12-P	40.00	22.00	12.00	13.00	22.00	5.00	0.30
SU40-24-8-P	40.00	24.00	8.00	9.00	24.00	5.00	0.30
SU40-25-10-P	40.00	25.00	10.00	11.00	25.00	5.00	0.30
SU40-25-11-P	40.00	25.00	11.00	10.00	25.00	5.00	0.30
SU40-26-9.2-P	40.00	26.00	9.20	10.00	26.00	5.00	0.30
SU40-28-10-P	40.00	28.00	10.00	11.00	28.00	5.00	0.30
SU40-30-5-P	40.00	30.00	5.00	5.50	30.00	5.00	0.30
SU40-30-5.6-P	40.00	30.00	5.60	6.30	30.00	5.00	0.30
SU40-30-6-P	40.00	30.00	6.00	7.00	30.00	5.00	0.30
SU40-30-7-P	40.00	30.00	7.00	8.00	30.00	5.00	0.30
SU40-30-8-P	40.00	30.00	8.00	9.00	30.00	5.00	0.30
SU40-30-10-P	40.00	30.00	10.00	11.00	30.00	5.00	0.30
SU40-31-5.8-P	40.00	31.00	5.80	6.30	31.00	5.00	0.20
SU40-32-4.8-P	40.00	32.00	4.80	5.30	32.00	5.00	0.20
SU40-32-5-P	40.00	32.00	5.00	6.00	32.00	5.00	0.20
SU40-32-5.5-P	40.00	32.00	5.50	6.00	32.00	5.00	0.20
SU40-32-5.7-P	40.00	32.00	5.70	6.30	32.00	5.00	0.20
SU40-32-6-P	40.00	32.00	6.00	6.50	32.00	5.00	0.20
SU40-32-8-P	40.00	32.00	8.00	9.00	32.00	5.00	0.20
SU40-32-10-P	40.00	32.00	10.00	10.50	32.00	5.00	0.20
SU41.5-31.5-6-P	41.50	31.50	6.00	7.00	31.50	5.00	0.30
SU42-26-8-P	42.00	26.00	8.00	9.00	26.00	5.00	0.30
SU42-30-6-P	42.00	30.00	6.00	6.50	30.00	5.00	0.30
SU42-30-9-P	42.00	30.00	9.00	10.00	30.00	5.00	0.30
SU42-30-10-P	42.00	30.00	10.00	11.00	30.00	5.00	0.30
SU42-32-5.8-P	42.00	32.00	5.80	6.30	32.00	5.00	0.30
SU42-32-6-P	42.00	32.00	6.00	7.00	32.00	5.00	0.30
SU42-32-10-P	42.00	32.00	10.00	11.00	32.00	5.00	0.30
SU42-35-7-P	42.00	35.00	7.00	8.00	35.00	5.00	0.30
SU42-35-8-P	42.00	35.00	8.00	9.00	35.00	5.00	0.30
SU43-20-7.5-P	43.00	20.00	7.50	8.50	20.00	5.00	0.30

Fluid Power

The Hydraulic Seal Specialists

SU-P

Metric **S**ingle Acting Rod or Piston **U**-Seal in **P**olyurethane

Part Number	*ØD1	*Ød1	H	*L1	*ØG	min	max
						C	R1
SU43-28-10-P	43.00	28.00	10.00	11.00	28.00	5.00	0.30
SU43-32-7-P	43.00	32.00	7.00	8.00	32.00	5.00	0.30
SU43-33-6-P	43.00	33.00	6.00	7.00	33.00	5.00	0.30
SU43-33-10-P	43.00	33.00	10.00	11.00	33.00	5.00	0.30
SU43-35-6-P	43.00	35.00	6.00	7.00	35.00	5.00	0.30
SU44-28-8-P	44.00	28.00	8.00	9.00	28.00	5.00	0.30
SU44-32-9.5-P	44.00	32.00	9.50	10.50	32.00	5.00	0.30
SU44-34-11-P	44.00	34.00	11.00	12.25	34.00	5.00	0.30
SU45-25-10-P	45.00	25.00	10.00	11.00	25.00	5.00	0.30
SU45-30-10-P	45.00	30.00	10.00	11.00	30.00	5.00	0.30
SU45-32-10-P	45.00	32.00	10.00	11.00	32.00	5.00	0.30
SU45-34-7-P	45.00	34.00	7.00	8.00	34.00	5.00	0.30
SU45-34-9-P	45.00	34.00	9.00	10.00	34.00	5.00	0.30
SU45-35-6-P	45.00	35.00	6.00	7.00	35.00	5.00	0.30
SU45-35-7-P	45.00	35.00	7.00	8.00	35.00	5.00	0.30
SU45-35-8-P	45.00	35.00	8.00	9.00	35.00	5.00	0.30
SU45-35-8.5-P	45.00	35.00	8.50	9.50	35.00	5.00	0.30
SU45-35-10-P	45.00	35.00	10.00	11.00	35.00	5.00	0.30
SU45-35.5-6-P	45.00	35.50	6.00	7.00	35.50	5.00	0.20
SU45-36-10-P	45.00	36.00	10.00	10.50	36.00	5.00	0.20
SU45-38-5-P	45.00	38.00	5.00	5.50	38.00	5.00	0.20
SU46-32-10-P	46.00	32.00	10.00	11.00	32.00	5.00	0.30
SU46-36-5.6-P	46.00	36.00	5.60	6.30	36.00	5.00	0.30
SU46-36-6-P	46.00	36.00	6.00	7.00	36.00	5.00	0.30
SU46-36-7-P	46.00	36.00	7.00	8.00	36.00	5.00	0.30
SU46-38-6.5-P	46.00	38.00	6.50	7.50	38.00	5.00	0.20
SU47-26-13-P	47.00	26.00	13.00	14.00	26.00	5.00	0.30
SU47-32-10-P	47.00	32.00	10.00	11.00	32.00	5.00	0.30
SU47-35-6-P	47.00	35.00	6.00	7.00	35.00	5.00	0.30
SU48-28-10-P	48.00	28.00	10.00	11.00	28.00	5.00	0.30
SU48-28-12-P	48.00	28.00	12.00	13.00	28.00	5.00	0.30
SU48-35-10-P	48.00	35.00	10.00	11.00	35.00	5.00	0.30
SU48-36-6-P	48.00	36.00	6.00	7.00	36.00	5.00	0.30
SU48-38-6-P	48.00	38.00	6.00	7.00	38.00	5.00	0.30
SU48-38-7-P	48.00	38.00	7.00	8.00	38.00	5.00	0.30
SU48-38-8-P	48.00	38.00	8.00	9.00	38.00	5.00	0.30
SU48-40-6-P	48.00	40.00	6.00	7.00	40.00	5.00	0.20
SU48-40-8-P	48.00	40.00	8.00	9.00	40.00	5.00	0.20
SU48-40-10-P	48.00	40.00	10.00	11.00	40.00	5.00	0.20
SU48-40-11-P	48.00	40.00	11.00	12.00	40.00	5.00	0.20

* Nominal Dimensions

Fluid Power

The Hydraulic Seal Specialists



SU-P

Metric **S**ingle Acting Rod or Piston **U**-Seal in **P**olyurethane

Part Number	*ØD1	*Ød1	H	*L1	*ØG	min	max
						C	R1
SU50-25-10-P	50.00	25.00	10.00	11.00	25.00	5.00	0.30
SU50-30-10-P	50.00	30.00	10.00	11.00	30.00	5.00	0.30
SU50-30-12-P	50.00	30.00	12.00	13.00	30.00	5.00	0.30
SU50-32-10-P	50.00	32.00	10.00	11.00	32.00	5.00	0.30
SU50-32-12-P	50.00	32.00	12.00	13.00	32.00	5.00	0.30
SU50-34-14-P	50.00	34.00	14.00	15.00	34.00	5.00	0.30
SU50-35-7.5-P	50.00	35.00	7.50	8.50	35.00	5.00	0.30
SU50-35-8-P	50.00	35.00	8.00	9.00	35.00	5.00	0.30
SU50-35-10-P	50.00	35.00	10.00	11.00	35.00	5.00	0.30
SU50-36-8-P	50.00	36.00	8.00	9.00	36.00	5.00	0.30
SU50-36-12-P	50.00	36.00	12.00	13.00	36.00	5.00	0.30
SU50-38-6-P	50.00	38.00	6.00	7.00	38.00	5.00	0.30
SU50-38-6.5-P	50.00	38.00	6.50	7.50	38.00	5.00	0.30
SU50-38-9-P	50.00	38.00	9.00	10.00	38.00	5.00	0.30
SU50-40-5-P	50.00	40.00	5.00	5.75	40.00	5.00	0.30
SU50-40-5.6-P	50.00	40.00	5.60	6.30	40.00	5.00	0.30
SU50-40-6-P	50.00	40.00	6.00	7.00	40.00	5.00	0.30
SU50-40-6.5-P	50.00	40.00	6.50	7.50	40.00	5.00	0.30
SU50-40-7-P	50.00	40.00	7.00	8.00	40.00	5.00	0.30
SU50-40-8-P	50.00	40.00	8.00	9.00	40.00	5.00	0.30
SU50-40-9-P	50.00	40.00	9.00	10.00	40.00	5.00	0.30
SU50-40-10-P	50.00	40.00	10.00	11.00	40.00	5.00	0.30
SU50-40-11-P	50.00	40.00	11.00	12.00	40.00	5.00	0.30
SU50-40-12-P	50.00	40.00	12.00	13.00	40.00	5.00	0.30
SU50-42-5.8-P	50.00	42.00	5.80	6.30	42.00	5.00	0.20
SU50-42-6-P	50.00	42.00	6.00	7.00	42.00	5.00	0.20
SU50-42-8-P	50.00	42.00	8.00	9.00	42.00	5.00	0.20
SU50-45-4-P	50.00	45.00	4.00	4.50	45.00	5.00	0.20
SU50.5-35.5-10-P	50.50	35.50	10.00	11.00	35.50	5.00	0.30
SU51-36-10-P	51.00	36.00	10.00	11.00	36.00	5.00	0.30
SU52-36-10-P	52.00	36.00	10.00	11.00	36.00	5.00	0.30
SU52-40-7.5-P	52.00	40.00	7.50	8.50	40.00	5.00	0.30
SU52-40-9-P	52.00	40.00	9.00	10.00	40.00	5.00	0.30
SU52-40-12-P	52.00	40.00	12.00	13.00	40.00	5.00	0.30
SU52-42-9-P	52.00	42.00	9.00	10.00	42.00	5.00	0.30
SU52-42-10-P	52.00	42.00	10.00	11.00	42.00	5.00	0.20
SU52-43-8-P	52.00	43.00	8.00	9.00	43.00	5.00	0.20
SU52.5-38-9.5-P	52.50	38.00	9.50	10.50	38.00	5.00	0.30
SU53-43-7-P	53.00	43.00	7.00	8.00	43.00	5.00	0.30
SU53-45-6.5-P	53.00	45.00	6.50	7.50	45.00	5.00	0.20

115 * Nominal Dimensions

Fluid Power

The Hydraulic Seal Specialists

SU-P

Metric **S**ingle Acting Rod or Piston **U**-Seal in **P**olyurethane

Part Number	*ØD1	*Ød1	H	*L1	*ØG	min	max
						C	R1
SU53-45-7-P	53.00	45.00	7.00	8.00	45.00	5.00	0.20
SU53-45-12-P	53.00	45.00	12.00	13.00	45.00	5.00	0.20
SU54-42-8-P	54.00	42.00	8.00	9.00	42.00	5.00	0.30
SU55-35-10-P	55.00	35.00	10.00	11.00	35.00	5.00	0.30
SU55-35-12-P	55.00	35.00	12.00	13.00	35.00	5.00	0.30
SU55-38-10-P	55.00	38.00	10.00	11.00	38.00	5.00	0.30
SU55-40-10-P	55.00	40.00	10.00	11.00	40.00	5.00	0.30
SU55-45-5.6-P	55.00	45.00	5.60	6.30	45.00	5.00	0.30
SU55-45-6-P	55.00	45.00	6.00	7.00	45.00	5.00	0.30
SU55-45-6.5-P	55.00	45.00	6.50	7.50	45.00	5.00	0.30
SU55-45-8-P	55.00	45.00	8.00	9.00	45.00	5.00	0.30
SU55-45-10-P	55.00	45.00	10.00	11.00	45.00	5.00	0.30
SU56-40-8-P	56.00	40.00	8.00	9.00	40.00	5.00	0.30
SU56-40-10-P	56.00	40.00	10.00	11.00	40.00	5.00	0.30
SU56-45-7-P	56.00	45.00	7.00	8.00	45.00	5.00	0.30
SU56-46-6-P	56.00	46.00	6.00	7.00	46.00	5.00	0.30
SU57-45-6-P	57.00	45.00	6.00	7.00	45.00	5.00	0.30
SU57-50-10-P	57.00	50.00	10.00	11.00	50.00	5.00	0.20
SU58-38-10-P	58.00	38.00	10.00	11.00	38.00	5.00	0.30
SU58-45-10-P	58.00	45.00	10.00	11.00	45.00	5.00	0.30
SU58-45-12P	58.00	45.00	12.00	13.00	45.00	5.00	0.30
SU58-48-6.5-P	58.00	48.00	6.50	7.50	48.00	5.00	0.30
SU58-48-10-P	58.00	48.00	10.00	11.00	48.00	5.00	0.30
SU58-50-5-P	58.00	50.00	5.00	5.50	50.00	5.00	0.20
SU58-50-8-P	58.00	50.00	8.00	9.00	50.00	5.00	0.20
SU60-38-12-P	60.00	38.00	12.00	13.00	38.00	5.00	0.30
SU60-40-10-P	60.00	40.00	10.00	11.00	40.00	5.00	0.30
SU60-40-12-P	60.00	40.00	12.00	13.00	40.00	5.00	0.30
SU60-40-13-P	60.00	40.00	13.00	14.00	40.00	5.00	0.30
SU60-40-18-P	60.00	40.00	18.00	19.00	40.00	5.00	0.30
SU60-45-10-P	60.00	45.00	10.00	11.00	45.00	5.00	0.30
SU60-48-9-P	60.00	48.00	9.00	10.00	48.00	5.00	0.30
SU60-50-5.7-P	60.00	50.00	5.70	6.30	50.00	5.00	0.30
SU60-50-6-P	60.00	50.00	6.00	7.00	50.00	5.00	0.30
SU60-50-6.5-P	60.00	50.00	6.50	7.25	50.00	5.00	0.30
SU60-50-8-P	60.00	50.00	8.00	9.00	50.00	5.00	0.30
SU60-50-10-P	60.00	50.00	10.00	11.00	50.00	5.00	0.30
SU60-50-11-P	60.00	50.00	11.00	12.00	50.00	5.00	0.30
SU60-50-12-P	60.00	50.00	12.00	13.00	50.00	5.00	0.30
SU62-42-12-P	62.00	42.00	12.00	13.00	52.00	5.00	0.30

* Nominal Dimensions

Fluid Power

The Hydraulic Seal Specialists



SU-P

Metric **S**ingle Acting Rod or Piston **U**-Seal in **P**olyurethane

Part Number	*ØD1	*Ød1	H	*L1	*ØG	min	max
						C	R1
SU62-50-9-P	62.00	50.00	9.00	10.00	50.00	5.00	0.30
SU62-52-6-P	62.00	52.00	6.00	7.00	52.00	5.00	0.30
SU62-52-10-P	62.00	52.00	10.00	11.00	52.00	5.00	0.30
SU62-52-12-P	62.00	52.00	12.00	13.00	52.00	5.00	0.30
SU63-45-10-P	63.00	45.00	10.00	11.00	45.00	5.00	0.30
SU63-45-12-P	63.00	45.00	12.00	13.00	45.00	5.00	0.30
SU63-48-10-P	63.00	48.00	10.00	11.00	48.00	5.00	0.30
SU63-48-12-P	63.00	48.00	12.00	13.00	48.00	5.00	0.30
SU63-50-6-P	63.00	50.00	6.00	7.00	50.00	5.00	0.30
SU63-50-8-P	63.00	50.00	8.00	9.00	50.00	5.00	0.30
SU63-50-9-P	63.00	50.00	9.00	10.00	50.00	5.00	0.30
SU63-50-10-P	63.00	50.00	10.00	10.50	50.00	5.00	0.30
SU63-53-5-P	63.00	53.00	5.00	5.50	53.00	5.00	0.30
SU63-53-6-P	63.00	53.00	6.00	7.00	53.00	5.00	0.30
SU63-53-6.5-P	63.00	53.00	6.50	7.50	53.00	5.00	0.30
SU63-53-10-P	63.00	53.00	10.00	11.00	53.00	5.00	0.30
SU63-53-12-P	63.00	53.00	12.00	13.00	53.00	5.00	0.30
SU65-35-12-P	65.00	35.00	12.00	13.00	35.00	5.00	0.30
SU65-40-12-P	65.00	40.00	12.00	13.00	40.00	5.00	0.30
SU65-45-10-P	65.00	45.00	10.00	11.00	45.00	5.00	0.30
SU65-45-12-P	65.00	45.00	12.00	13.00	45.00	5.00	0.30
SU65-50-10-P	65.00	50.00	10.00	11.00	50.00	5.00	0.30
SU65-50-12-P	65.00	50.00	12.00	13.00	50.00	5.00	0.30
SU65-52-8.5-P	65.00	52.00	8.50	9.50	52.00	5.00	0.30
SU65-55-5-P	65.00	55.00	5.00	6.00	55.00	5.00	0.30
SU65-55-6-P	65.00	55.00	6.00	7.00	55.00	5.00	0.30
SU65-55-10-P	65.00	55.00	10.00	11.00	55.00	5.00	0.30
SU65-55-12-P	65.00	55.00	12.00	13.00	55.00	5.00	0.30
SU66-56-5-P	66.00	56.00	5.00	6.00	56.00	5.00	0.30
SU66-56-6-P	66.00	56.00	6.00	7.00	56.00	5.00	0.30
SU66-56-7.3-P	66.00	56.00	7.30	8.00	56.00	5.00	0.30
SU66-56-8-P	66.00	56.00	8.00	8.75	56.00	5.00	0.30
SU68-48-10-P	68.00	48.00	10.00	10.50	48.00	5.00	0.30
SU68-48-12-P	68.00	48.00	12.00	13.00	48.00	5.00	0.30
SU68-58-6-P	68.00	58.00	6.00	7.00	58.00	5.00	0.30
SU68-58-11-P	68.00	58.00	11.00	11.75	58.00	5.00	0.30
SU68-60-8-P	68.00	60.00	8.00	8.50	60.00	5.00	0.20
SU68-60-10-P	68.00	60.00	10.00	11.00	60.00	5.00	0.30
SU70-36-10-P	70.00	36.00	10.00	11.00	36.00	5.00	0.30
SU70-40-15-P	70.00	40.00	15.00	16.00	40.00	5.00	0.20

Fluid Power

The Hydraulic Seal Specialists

SU-P

Metric **S**ingle Acting Rod or Piston **U**-Seal in **P**olyurethane

Part Number	*ØD1	*Ød1	H	*L1	*ØG	min	max
						C	R1
SU70-45-12-P	70.00	45.00	12.00	13.00	45.00	5.00	0.20
SU70-50-8-P	70.00	50.00	8.00	9.00	50.00	5.00	0.30
SU70-50-10-P	70.00	50.00	10.00	11.00	50.00	5.00	0.30
SU70-50-12-P	70.00	50.00	12.00	13.00	50.00	5.00	0.30
SU70-50-18-P	70.00	50.00	18.00	19.00	50.00	5.00	0.30
SU70-53-10-P	70.00	53.00	10.00	11.00	53.00	5.00	0.30
SU70-55-10-P	70.00	55.00	10.00	11.00	55.00	5.00	0.30
SU70-55-12-P	70.00	55.00	12.00	13.00	55.00	5.00	0.30
SU70-56-12-P	70.00	56.00	12.00	13.00	56.00	5.00	0.30
SU70-60-5-P	70.00	60.00	5.00	6.00	60.00	5.00	0.30
SU70-60-6-P	70.00	60.00	6.00	7.00	60.00	5.00	0.30
SU70-60-7-P	70.00	60.00	7.00	8.00	60.00	5.00	0.30
SU70-60-8-P	70.00	60.00	8.00	9.00	60.00	5.00	0.30
SU70-60-10-P	70.00	60.00	10.00	11.00	60.00	5.00	0.30
SU70-60-12-P	70.00	60.00	12.00	13.00	60.00	5.00	0.30
SU71-56-8.4-P	71.00	56.00	8.40	9.50	56.00	5.00	0.30
SU71-56-10-P	71.00	56.00	10.00	11.00	56.00	5.00	0.30
SU71-60-7-P	71.00	60.00	7.00	8.00	60.00	5.00	0.30
SU73-50-10-P	73.00	50.00	10.00	11.00	50.00	5.00	0.30
SU73-63-6-P	73.00	63.00	6.00	7.00	63.00	5.00	0.30
SU73-63-8-P	73.00	63.00	8.00	9.00	63.00	5.00	0.30
SU73-63-11.8-P	73.00	63.00	11.80	13.00	63.00	5.00	0.30
SU75-40-10-P	75.00	40.00	10.00	11.00	40.00	5.00	0.30
SU75-55-10-P	75.00	55.00	10.00	11.00	55.00	5.00	0.30
SU75-55-12-P	75.00	55.00	12.00	13.00	55.00	5.00	0.30
SU75-60-10-P	75.00	60.00	10.00	11.00	60.00	5.00	0.30
SU75-60-12-P	75.00	60.00	12.00	13.00	60.00	5.00	0.30
SU75-63-10-P	75.00	63.00	10.00	11.00	63.00	5.00	0.30
SU75-65-6-P	75.00	65.00	6.00	7.00	65.00	5.00	0.30
SU75-65-10-P	75.00	65.00	10.00	11.00	65.00	5.00	0.30
SU75-65-12-P	75.00	65.00	12.00	13.00	65.00	5.00	0.30
SU76-56-12-P	76.00	56.00	12.00	13.00	56.00	5.00	0.30
SU76-60-12-P	76.00	60.00	12.00	13.00	60.00	5.00	0.30
SU76-66-5-P	76.00	66.00	5.00	6.00	66.00	5.00	0.30
SU76-66-8-P	76.00	66.00	8.00	9.00	66.00	5.00	0.30
SU77-67-6-P	77.00	67.00	6.00	7.00	67.00	5.00	0.30
SU77-67-10-P	77.00	67.00	10.00	11.00	67.00	5.00	0.30
SU77-67-12-P	77.00	67.00	12.00	13.00	67.00	5.00	0.30
SU78-58-15-P	78.00	58.00	15.00	16.00	58.00	5.00	0.30
SU78-63-8.4-P	78.00	63.00	8.40	9.50	63.00	5.00	0.30

* Nominal Dimensions

Fluid Power

The Hydraulic Seal Specialists



SU-P

Metric **S**ingle Acting Rod or Piston **U**-Seal in **P**olyurethane

Part Number	*ØD1	*Ød1	H	*L1	*ØG	min	max
						C	R1
SU78-63-10-P	78.00	63.00	10.00	11.00	63.00	5.00	0.30
SU80-55-12-P	80.00	55.00	12.00	13.00	55.00	5.00	0.30
SU80-55-15-P	80.00	55.00	15.00	16.00	55.00	5.00	0.30
SU80-56-15-P	80.00	56.00	15.00	16.00	56.00	5.00	0.30
SU80-60-10-P	80.00	60.00	10.00	11.00	60.00	5.00	0.30
SU80-60-12-P	80.00	60.00	12.00	13.00	60.00	5.00	0.30
SU80-60-18-P	80.00	60.00	18.00	19.00	60.00	5.00	0.30
SU80-61-12-P	80.00	61.00	12.00	13.00	61.00	5.00	0.30
SU80-63-9-P	80.00	63.00	9.00	10.00	63.00	5.00	0.30
SU80-63-10-P	80.00	63.00	10.00	11.00	63.00	5.00	0.30
SU80-65-8.4-P	80.00	65.00	8.40	9.50	65.00	5.00	0.30
SU80-65-10-P	80.00	65.00	10.00	11.00	65.00	5.00	0.30
SU80-65-11-P	80.00	65.00	11.00	12.00	65.00	5.00	0.30
SU80-65-12-P	80.00	65.00	12.00	13.00	65.00	5.00	0.30
SU80-66-10-P	80.00	66.00	10.00	11.00	66.00	5.00	0.30
SU80-66-13-P	80.00	66.00	13.00	14.00	66.00	5.00	0.30
SU80-70-5-P	80.00	70.00	5.00	6.00	70.00	5.00	0.30
SU80-70-6-P	80.00	70.00	6.00	7.00	70.00	5.00	0.30
SU80-70-8-P	80.00	70.00	8.00	9.00	70.00	5.00	0.30
SU80-70-10-P	80.00	70.00	10.00	11.00	70.00	5.00	0.30
SU80-70-11.8-P	80.00	70.00	11.80	13.00	70.00	5.00	0.30
SU80-70-12-P	80.00	70.00	12.00	13.00	70.00	5.00	0.30
SU80-71-6-P	80.00	71.00	6.00	7.00	71.00	5.00	0.20
SU82-70-10-P	82.00	70.00	10.00	11.00	70.00	5.00	0.30
SU83-63-12-P	83.00	63.00	12.00	13.00	63.00	5.00	0.30
SU83-63-15-P	83.00	63.00	15.00	16.00	63.00	5.00	0.30
SU85-60-12.5-P	85.00	60.00	12.50	13.50	60.00	5.00	0.30
SU85-65-10-P	85.00	65.00	10.00	11.00	65.00	5.00	0.30
SU85-65-12-P	85.00	65.00	12.00	13.00	65.00	5.00	0.30
SU85-70-8.4-P	85.00	70.00	8.40	9.50	70.00	5.00	0.30
SU85-70-11-P	85.00	70.00	11.00	12.00	70.00	5.00	0.30
SU85-70-12-P	85.00	70.00	12.00	13.00	70.00	5.00	0.30
SU85-75-6-P	85.00	75.00	6.00	7.00	75.00	5.00	0.30
SU85-75-10-P	85.00	75.00	10.00	11.00	75.00	5.00	0.30
SU85-75-11.8-P	85.00	75.00	11.80	13.00	75.00	5.00	0.30
SU85-75-12-P	85.00	75.00	12.00	13.00	75.00	5.00	0.30
SU90-60-15-P	90.00	60.00	15.00	16.00	60.00	5.00	0.30
SU90-65-8-P	90.00	65.00	8.00	9.00	65.00	5.00	0.30
SU90-65-13-P	90.00	65.00	13.00	14.00	65.00	5.00	0.30
SU90-65-15-P	90.00	65.00	15.00	16.00	65.00	5.00	0.30

119 * Nominal Dimensions

Fluid Power

The Hydraulic Seal Specialists

SU-P

Metric **S**ingle Acting Rod or Piston **U**-Seal in **P**olyurethane

Part Number	*ØD1	*Ød1	H	*L1	*ØG	min	max
						C	R1
SU90-70-10-P	90.00	70.00	10.00	11.00	70.00	5.00	0.30
SU90-70-12-P	90.00	70.00	12.00	13.00	70.00	5.00	0.30
SU90-70-14-P	90.00	70.00	14.00	15.50	70.00	5.00	0.30
SU90-70-18-P	90.00	70.00	18.00	19.00	70.00	5.00	0.30
SU90-72-11-P	90.00	72.00	11.00	12.00	72.00	5.00	0.30
SU90-75-7.5-P	90.00	75.00	7.50	8.50	75.00	5.00	0.30
SU90-75-10-P	90.00	75.00	10.00	11.00	75.00	5.00	0.30
SU90-75-12-P	90.00	75.00	12.00	13.00	75.00	5.00	0.30
SU90-80-5-P	90.00	80.00	5.00	5.50	80.00	5.00	0.30
SU90-80-5.4-P	90.00	80.00	5.40	6.40	80.00	5.00	0.30
SU90-80-6-P	90.00	80.00	6.00	7.00	80.00	5.00	0.30
SU90-80-8-P	90.00	80.00	8.00	9.00	80.00	5.00	0.30
SU90-80-10-P	90.00	80.00	10.00	11.00	80.00	5.00	0.30
SU90-80-12-P	90.00	80.00	12.00	13.00	80.00	5.00	0.30
SU92-70-12-P	92.00	70.00	12.00	13.00	70.00	5.00	0.30
SU92-82-10-P	92.00	82.00	10.00	11.00	82.00	5.00	0.30
SU93-78-10.5-P	93.00	78.00	10.50	11.50	78.00	5.00	0.30
SU94-84.5-8-P	94.00	84.50	8.00	9.00	84.50	5.00	0.30
SU95-65-12-P	95.00	65.00	12.00	13.00	65.00	5.00	0.30
SU95-70-12-P	95.00	70.00	12.00	13.00	70.00	5.00	0.30
SU95-75-10-P	95.00	75.00	10.00	11.00	75.00	5.00	0.30
SU95-75-12-P	95.00	75.00	12.00	13.00	75.00	5.00	0.30
SU95-80-8-P	95.00	80.00	8.00	9.00	80.00	5.00	0.30
SU95-80-8.4-P	95.00	80.00	8.40	9.50	80.00	5.00	0.30
SU95-80-9-P	95.00	80.00	9.00	10.00	80.00	5.00	0.30
SU95-80-10-P	95.00	80.00	10.00	11.00	80.00	5.00	0.30
SU95-80-12-P	95.00	80.00	12.00	13.00	80.00	5.00	0.30
SU95-85-8.5-P	95.00	85.00	8.50	9.50	85.00	5.00	0.30
SU95-85-9-P	95.00	85.00	9.00	10.00	85.00	5.00	0.30
SU95-85-12-P	95.00	85.00	12.00	13.00	85.00	5.00	0.30
SU100-70-15-5	100.00	70.00	15.00	16.00	70.00	7.00	0.30
SU100-75-15-P	100.00	75.00	15.00	16.00	75.00	7.00	0.30
SU100-75-22-P	100.00	75.00	22.00	24.00	75.00	7.00	0.30
SU100-80-9.5-P	100.00	80.00	9.50	10.50	80.00	7.00	0.30
SU100-80-10-P	100.00	80.00	10.00	11.00	80.00	7.00	0.30
SU100-80-12-P	100.00	80.00	12.00	13.00	80.00	7.00	0.30
SU100-85-8.4-P	100.00	85.00	8.40	9.50	85.00	7.00	0.30
SU100-85-9-P	100.00	85.00	9.00	10.00	85.00	7.00	0.30
SU100-85-12-P	100.00	85.00	12.00	13.00	85.00	7.00	0.30
SU100-85-25-P	100.00	85.00	25.00	26.00	85.00	7.00	0.30

* Nominal Dimensions

Fluid Power

The Hydraulic Seal Specialists



SU-P

Metric **S**ingle Acting Rod or Piston **U**-Seal in **P**olyurethane

Part Number	*ØD1	*Ød1	H	*L1	*ØG	min	max
						C	R1
SU100-90-5-P	100.00	90.00	5.00	5.75	90.00	7.00	0.30
SU100-90-7-P	100.00	90.00	7.00	8.00	90.00	7.00	0.30
SU100-90-8-P	100.00	90.00	8.00	9.00	90.00	7.00	0.30
SU100-90-10-P	100.00	90.00	10.00	11.00	90.00	7.00	0.30
SU100-90-12-P	100.00	90.00	12.00	13.00	90.00	7.00	0.30
SU100.5-85-5.8-P	100.50	85.00	5.80	6.30	85.00	7.00	0.30
SU103-83-14-P	103.00	83.00	14.00	15.00	83.00	7.00	0.30
SU105-80-15-P	105.00	80.00	15.00	16.00	80.00	7.00	0.30
SU105-85-10-P	105.00	85.00	10.00	11.00	85.00	7.00	0.30
SU105-85-12-P	105.00	85.00	12.00	13.00	85.00	7.00	0.30
SU105-85-18-P	105.00	85.00	18.00	19.00	85.00	7.00	0.30
SU105-90-8.4-P	105.00	90.00	8.40	9.50	90.00	7.00	0.30
SU105-90-9-P	105.00	90.00	9.00	10.00	90.00	7.00	0.30
SU105-90-10-P	105.00	90.00	10.00	11.00	90.00	7.00	0.30
SU105-90-12-P	105.00	90.00	12.00	13.00	90.00	7.00	0.30
SU105-95-12-P	105.00	95.00	12.00	13.00	95.00	7.00	0.30
SU109-99-14.5-P	109.00	99.00	14.50	15.50	99.00	7.00	0.30
SU110-85-12-P	110.00	85.00	12.00	13.00	85.00	7.00	0.30
SU110-90-10-P	110.00	90.00	10.00	11.00	90.00	7.00	0.30
SU110-90-12-P	110.00	90.00	12.00	13.00	90.00	7.00	0.30
SU110-90-15-P	110.00	90.00	15.00	16.00	90.00	7.00	0.30
SU110-90-18-P	110.00	90.00	18.00	19.00	90.00	7.00	0.30
SU110-95-9-P	110.00	95.00	9.00	10.00	95.00	7.00	0.30
SU110-95-10-P	110.00	95.00	10.00	11.00	95.00	7.00	0.30
SU110-95-12-P	110.00	95.00	12.00	13.00	95.00	7.00	0.30
SU110-95-15-P	110.00	95.00	15.00	16.00	95.00	7.00	0.30
SU110-100-5-P	110.00	100.00	5.00	6.00	100.00	7.00	0.30
SU110-100-8-P	110.00	100.00	8.00	9.00	100.00	7.00	0.30
SU112-98-9-P	112.00	98.00	9.00	10.00	98.00	7.00	0.30
SU114.4-105-11-P	114.40	105.00	11.00	12.00	105.00	7.00	0.30
SU115-85-15-P	115.00	85.00	15.00	16.00	85.00	7.00	0.30
SU115-90-12-P	115.00	90.00	12.00	13.00	90.00	7.00	0.30
SU115-90-22-P	115.00	90.00	22.00	23.00	90.00	7.00	0.30
SU115-95-12-P	115.00	95.00	12.00	13.00	95.00	7.00	0.30
SU115-95-15-P	115.00	95.00	15.00	16.00	95.00	7.00	0.30
SU115-95-18-P	115.00	95.00	18.00	19.00	95.00	7.00	0.30
SU115-100-9-P	115.00	100.00	9.00	10.00	100.00	7.00	0.30
SU115-100-10-P	115.00	100.00	10.00	11.00	100.00	7.00	0.30
SU115-100-12-P	115.00	100.00	12.00	13.00	100.00	7.00	0.30
SU120-90-15-P	120.00	90.00	15.00	16.00	90.00	7.00	0.30

121 * Nominal Dimensions

Fluid Power

The Hydraulic Seal Specialists

SU-P

Metric **S**ingle Acting Rod or Piston **U**-Seal in **P**olyurethane

Part Number	*ØD1	*Ød1	H	*L1	*ØG	min	max
						C	R1
SU120-95-12-P	120.00	95.00	12.00	13.00	95.00	7.00	0.30
SU120-100-11-P	120.00	100.00	11.00	12.50	100.00	7.00	0.30
SU120-100-12-P	120.00	100.00	12.00	13.00	100.00	7.00	0.30
SU120-100-15-P	120.00	100.00	15.00	16.00	100.00	7.00	0.30
SU120-105-8-P	120.00	105.00	8.00	9.00	105.00	7.00	0.30
SU120-105-15-P	120.00	105.00	15.00	16.00	105.00	7.00	0.30
SU120-106-8.5-P	120.00	106.00	8.50	9.50	106.00	7.00	0.30
SU120-108-9-P	120.00	108.00	9.00	10.00	108.00	7.00	0.30
SU120-110-8-P	120.00	110.00	8.00	9.00	110.00	7.00	0.30
SU125-100-12-P	125.00	100.00	12.00	13.00	100.00	7.00	0.30
SU125-100-15-P	125.00	100.00	15.00	16.00	100.00	7.00	0.30
SU125-105-11.5-P	125.00	105.00	11.50	12.50	105.00	7.00	0.30
SU125-105-12-P	125.00	105.00	12.00	13.00	105.00	7.00	0.30
SU125-105-15-P	125.00	105.00	15.00	16.00	105.00	7.00	0.30
SU125-110-9-P	125.00	110.00	9.00	10.00	110.00	7.00	0.30
SU125-110-10-P	125.00	110.00	10.00	11.00	110.00	7.00	0.30
SU125-110-12-P	125.00	110.00	12.00	13.00	110.00	7.00	0.30
SU125-110-15-P	125.00	110.00	15.00	16.00	110.00	7.00	0.30
SU125-110-8.9-P	125.00	112.00	8.90	10.00	112.00	7.00	0.30
SU125-112-9-P	125.00	112.00	9.00	10.00	112.00	7.00	0.30
SU125-113-9.5-P	125.00	113.00	9.50	10.50	113.00	7.00	0.30
SU125-115-8-P	125.00	115.00	8.00	9.00	115.00	7.00	0.30
SU125-115-12-P	125.00	115.00	12.00	13.00	115.00	7.00	0.30
SU125-115-15-P	125.00	115.00	15.00	16.00	115.00	7.00	0.30
SU126-115-15-P	126.00	115.00	15.00	16.00	115.00	7.00	0.30
SU130-100-12-P	130.00	100.00	12.00	13.00	100.00	7.00	0.30
SU130-100-18-P	130.00	100.00	18.00	19.00	100.00	7.00	0.30
SU130-105-18-P	130.00	105.00	18.00	19.00	105.00	7.00	0.30
SU130-107-15-P	130.00	107.00	15.00	16.00	107.00	7.00	0.30
SU130-110-10-P	130.00	110.00	10.00	11.00	110.00	7.00	0.30
SU130-110-11-P	130.00	110.00	11.00	12.00	110.00	7.00	0.30
SU130-110-12-P	130.00	110.00	12.00	13.00	110.00	7.00	0.30
SU130-110-15-P	130.00	110.00	15.00	16.00	110.00	7.00	0.30
SU130-110-18-P	130.00	110.00	18.00	19.00	110.00	7.00	0.30
SU130-115-12-P	130.00	115.00	12.00	13.00	115.00	7.00	0.30
SU130-115-15-P	130.00	115.00	15.00	16.00	115.00	7.00	0.30
SU130-120-7-P	130.00	120.00	7.00	8.00	120.00	7.00	0.30
SU130-120-14-P	130.00	120.00	14.00	15.00	120.00	7.00	0.30
SU130-120-14.5-P	130.00	120.00	14.50	15.50	120.00	7.00	0.30
SU135-110-18-P	135.00	110.00	18.00	19.00	110.00	7.00	0.30

* Nominal Dimensions

Fluid Power

The Hydraulic Seal Specialists



SU-P

Metric **S**ingle Acting Rod or Piston **U**-Seal in **P**olyurethane

Part Number	*ØD1	*Ød1	H	*L1	*ØG	min	max
						C	R1
SU135-115-15-P	135.00	115.00	15.00	16.00	115.00	7.00	0.30
SU135-120-15-P	135.00	120.00	15.00	16.00	120.00	7.00	0.30
SU140-110-18-P	140.00	110.00	18.00	19.00	110.00	7.00	0.30
SU140-115-15-P	140.00	115.00	15.00	16.00	115.00	7.00	0.30
SU140-115-18-P	140.00	115.00	18.00	19.00	115.00	7.00	0.30
SU140-115-22-P	140.00	115.00	22.00	23.00	115.00	7.00	0.30
SU140-120-10-P	140.00	120.00	10.00	11.00	120.00	7.00	0.30
SU140-120-12-P	140.00	120.00	12.00	13.00	120.00	7.00	0.30
SU140-120-14.5-P	140.00	120.00	14.50	16.00	120.00	7.00	0.30
SU140-120-15-P	140.00	120.00	15.00	16.00	120.00	7.00	0.30
SU140-125-9-P	140.00	125.00	9.00	10.00	125.00	7.00	0.30
SU140-125-11-P	140.00	125.00	11.00	12.00	125.00	7.00	0.30
SU140-125-12-P	140.00	125.00	12.00	13.00	125.00	7.00	0.30
SU140-125-15-P	140.00	125.00	15.00	16.00	125.00	7.00	0.30
SU145-120-18-P	145.00	120.00	18.00	19.00	120.00	7.00	0.30
SU145-125-10-P	145.00	125.00	10.00	11.00	125.00	7.00	0.30
SU145-125-11-P	145.00	125.00	11.00	12.50	125.00	7.00	0.30
SU145-125-15-P	145.00	125.00	15.00	16.00	125.00	7.00	0.30
SU145-125-18-P	145.00	125.00	18.00	19.00	125.00	7.00	0.30
SU150-120-15-P	150.00	120.00	15.00	16.00	120.00	7.00	0.30
SU150-120-18-P	150.00	120.00	18.00	19.00	120.00	7.00	0.30
SU150-125-13-P	150.00	125.00	13.00	14.00	125.00	7.00	0.30
SU150-125-18-P	150.00	125.00	18.00	19.00	125.00	7.00	0.30
SU150-130-15-P	150.00	130.00	15.00	16.00	130.00	7.00	0.30
SU150-135-10-P	150.00	135.00	10.00	11.00	135.00	7.00	0.30
SU150-135-15-P	150.00	135.00	15.00	16.00	135.00	7.00	0.30
SU150-136-8.5-P	150.00	136.00	8.50	9.50	136.00	7.00	0.30
SU150-136-9-P	150.00	136.00	9.00	10.00	136.00	7.00	0.30
SU151-127-16-P	151.00	127.00	16.00	17.00	127.00	7.00	0.30
SU154-140-9-P	154.00	140.00	9.00	10.00	140.00	7.00	0.30
SU155-125-15-P	155.00	125.00	15.00	16.00	125.00	7.00	0.30
SU155-125-18-P	155.00	125.00	18.00	19.00	125.00	7.00	0.30
SU155-135-15-P	155.00	135.00	15.00	16.00	135.00	7.00	0.30
SU155-140-9-P	155.00	140.00	9.00	10.00	140.00	7.00	0.30
SU155-140-12-P	155.00	140.00	12.00	13.20	140.00	7.00	0.30
SU160-130-18-P	160.00	130.00	18.00	19.00	130.00	7.00	0.30
SU160-135-15-P	160.00	135.00	15.00	16.00	135.00	7.00	0.30
SU160-140-8-P	160.00	140.00	8.00	9.00	140.00	7.00	0.30
SU160-140-10-P	160.00	140.00	10.00	11.00	140.00	7.00	0.30
SU160-140-12-P	160.00	140.00	12.00	13.00	140.00	7.00	0.30

123 * Nominal Dimensions

Fluid Power

The Hydraulic Seal Specialists

SU-P

Metric **S**ingle Acting Rod or Piston **U**-Seal in **P**olyurethane

Part Number	*ØD1	*Ød1	H	*L1	*ØG	min	max
						C	R1
SU160-140-15-P	160.00	140.00	15.00	16.00	140.00	7.00	0.30
SU160-145-8-P	160.00	145.00	8.00	9.00	145.00	7.00	0.30
SU160-145-9-P	160.00	145.00	9.00	10.00	145.00	7.00	0.30
SU160-150-12-P	160.00	150.00	12.00	13.00	150.00	7.00	0.30
SU165-135-15-P	165.00	135.00	15.00	16.00	135.00	7.00	0.30
SU165-140-18-P	165.00	140.00	18.00	19.00	140.00	7.00	0.30
SU165-145-12-P	165.00	145.00	12.00	13.00	145.00	7.00	0.30
SU165-145-15-P	165.00	145.00	15.00	16.00	145.00	7.00	0.30
SU165-150-8.9-P	165.00	150.00	8.90	10.00	150.00	7.00	0.30
SU170-140-18-P	170.00	140.00	18.00	19.00	140.00	7.00	0.30
SU170-145-18-P	170.00	145.00	18.00	19.00	145.00	7.00	0.30
SU170-150-15-P	170.00	150.00	15.00	16.00	150.00	7.00	0.30
SU170-150-18-P	170.00	150.00	18.00	19.00	150.00	7.00	0.30
SU170-160-5-P	170.00	160.00	5.00	6.00	160.00	7.00	0.30
SU175-155-15-P	175.00	155.00	15.00	16.00	155.00	7.00	0.30
SU175-160-9-P	175.00	160.00	9.00	10.00	160.00	7.00	0.30
SU180-150-15-P	180.00	150.00	15.00	16.00	150.00	7.00	0.30
SU180-150-18-P	180.00	150.00	18.00	19.00	150.00	7.00	0.30
SU180-155-15-P	180.00	155.00	15.00	17.00	155.00	7.00	0.30
SU180-160-15-P	180.00	160.00	15.00	16.00	160.00	7.00	0.30
SU180-165-9-P	180.00	165.00	9.00	10.00	165.00	7.00	0.30
SU180-165-10-P	180.00	165.00	10.00	11.00	165.00	7.00	0.30
SU180-168-14-P	180.00	168.00	14.00	15.00	168.00	7.00	0.30
SU183-165-10-P	183.00	165.00	10.00	11.00	165.00	7.00	0.30
SU185-160-15-P	185.00	160.00	15.00	17.00	160.00	7.00	0.30
SU185-165-12-P	185.00	165.00	12.00	13.00	165.00	7.00	0.30
SU185-170-14-P	185.00	170.00	14.00	15.00	160.00	7.00	0.30
SU190-160-15-P	190.00	160.00	15.00	16.00	160.00	7.00	0.30
SU190-160-22-P	190.00	160.00	22.00	23.00	160.00	7.00	0.30
SU190-165-15-P	190.00	165.00	15.00	17.00	165.00	7.00	0.30
SU190-170-15-P	190.00	170.00	15.00	16.00	170.00	7.00	0.30
SU195-160-17-P	195.00	160.00	17.00	18.00	160.00	7.00	0.30
SU195-170-15-P	195.00	170.00	15.00	17.00	170.00	7.00	0.30
SU195-185-12-P	195.00	185.00	12.00	13.00	185.00	7.00	0.30
SU200-170-15-P	200.00	170.00	15.00	16.00	170.00	10.00	0.30
SU200-170-18-P	200.00	170.00	18.00	19.00	170.00	10.00	0.30
SU200-170-22-P	200.00	170.00	22.00	23.00	170.00	10.00	0.30
SU200-175-15-P	200.00	175.00	15.00	16.00	175.00	10.00	0.30
SU200-180-12-P	200.00	180.00	12.00	13.00	180.00	10.00	0.30
SU200-180-15-P	200.00	180.00	15.00	16.00	180.00	10.00	0.30

* Nominal Dimensions

Fluid Power

The Hydraulic Seal Specialists



SU-P

Metric **S**ingle Acting Rod or Piston **U**-Seal in **P**olyurethane

Part Number	*ØD1	*Ød1	H	*L1	*ØG	min	max
						C	R1
SU200-185-9-P	200.00	185.00	9.00	10.00	185.00	10.00	0.30
SU205-180-15-P	205.00	180.00	15.00	16.00	180.00	10.00	0.30
SU210-180-22-P	210.00	180.00	22.00	23.00	180.00	10.00	0.30
SU210-185-15-P	210.00	185.00	15.00	17.00	185.00	10.00	0.30
SU210-190-12-P	210.00	190.00	12.00	13.00	190.00	10.00	0.30
SU210-190-15-P	210.00	190.00	15.00	16.00	190.00	10.00	0.30
SU215-170-20-P	215.00	170.00	20.00	22.00	170.00	10.00	0.30
SU215-175-20-P	215.00	175.00	20.00	21.00	175.00	10.00	0.30
SU215-190-15-P	215.00	190.00	15.00	17.00	190.00	10.00	0.30
SU220-180-20-P	220.00	180.00	20.00	21.00	180.00	10.00	0.30
SU220-190-15-P	220.00	190.00	15.00	16.00	190.00	10.00	0.30
SU220-190-25-P	220.00	190.00	25.00	26.00	190.00	10.00	0.30
SU220-200-12-P	220.00	200.00	12.00	13.00	200.00	10.00	0.30
SU220-200-15-P	220.00	200.00	15.00	16.00	200.00	10.00	0.30
SU225-200-15-P	225.00	200.00	15.00	17.00	200.00	10.00	0.30
SU225-200-18.2-P	225.00	200.00	18.20	19.00	200.00	10.00	0.30
SU230-200-17-P	230.00	200.00	17.00	18.00	200.00	10.00	0.30
SU230-200-22-P	230.00	200.00	22.00	23.00	200.00	10.00	0.30
SU230-210-15-P	230.00	210.00	15.00	16.00	210.00	10.00	0.30
SU235-200-20-P	235.00	200.00	20.00	21.00	200.00	10.00	0.30
SU235-210-18-P	235.00	210.00	18.00	19.00	210.00	10.00	0.30
SU235-220-11-P	235.00	220.00	11.00	12.00	220.00	10.00	0.30
SU240-200-20-P	240.00	200.00	20.00	21.00	200.00	10.00	0.30
SU240-220-12-P	240.00	220.00	12.00	13.00	220.00	10.00	0.30
SU245-220-18-P	245.00	220.00	18.00	20.00	220.00	10.00	0.30
SU245-225-15-P	245.00	225.00	15.00	16.00	225.00	10.00	0.30
SU247-235-9-P	247.00	235.00	9.00	10.00	235.00	10.00	0.30
SU250-220-17-P	250.00	220.00	17.00	19.20	220.00	10.00	0.30
SU250-220-18-P	250.00	220.00	18.00	19.00	220.00	10.00	0.30
SU250-220-20-P	250.00	220.00	20.00	21.00	220.00	10.00	0.30
SU250-230-12-P	250.00	230.00	12.00	13.00	230.00	10.00	0.30
SU250-230-15-P	250.00	230.00	15.00	16.00	230.00	10.00	0.30
SU255-230-18-P	255.00	230.00	18.00	20.00	230.00	10.00	0.30
SU255-235-12-P	255.00	235.00	12.00	13.00	235.00	10.00	0.30
SU260-230-18-P	260.00	230.00	18.00	19.00	230.00	10.00	0.30
SU260-240-12-P	260.00	240.00	12.00	13.00	240.00	10.00	0.30
SU260-240-16-P	260.00	240.00	16.00	17.00	240.00	10.00	0.30
SU260-240-17-P	260.00	240.00	17.00	18.00	240.00	10.00	0.30
SU265-240-18-P	265.00	240.00	18.00	20.00	240.00	10.00	0.30
SU270-240-18-P	270.00	240.00	18.00	19.00	240.00	10.00	0.30

125 * Nominal Dimensions

Fluid Power

The Hydraulic Seal Specialists

SU-P

Metric **S**ingle Acting Rod or Piston **U**-Seal in **P**olyurethane

Part Number	*ØD1	*Ød1	H	*L1	*ØG	min	max
						C	R1
SU270-245-15-P	270.00	245.00	15.00	16.00	245.00	10.00	0.30
SU275-250-18-P	275.00	250.00	18.00	20.00	250.00	10.00	0.30
SU280-250-22-P	280.00	250.00	22.00	23.00	250.00	10.00	0.30
SU290-260-18-P	290.00	260.00	18.00	20.00	260.00	10.00	0.30
SU290-265-17-P	290.00	265.00	17.00	18.00	265.00	10.00	0.30
SU290-270-17-P	290.00	270.00	17.00	18.00	270.00	10.00	0.30
SU295-265-18-P	295.00	265.00	18.00	20.00	265.00	10.00	0.30
SU300-270-15-P	300.00	270.00	15.00	16.00	270.00	10.00	0.30
SU300-270-18-P	300.00	270.00	18.00	19.00	270.00	10.00	0.30
SU300-280-15-P	300.00	280.00	15.00	16.00	280.00	10.00	0.30
SU310-280-18-P	310.00	280.00	18.00	19.00	280.00	10.00	0.30
SU310-280-21-P	310.00	280.00	21.00	22.00	280.00	10.00	0.30
SU320-290-18-P	320.00	290.00	18.00	20.00	290.00	10.00	0.30
SU320-305-17-P	320.00	305.00	17.00	18.00	305.00	10.00	0.30
SU330-300-17-P	330.00	300.00	17.00	18.00	300.00	10.00	0.30
SU330-300-18-P	330.00	300.00	18.00	20.00	300.00	10.00	0.30
SU330-310-17-P	330.00	310.00	17.00	18.00	310.00	10.00	0.30
SU340-310-22-P	340.00	310.00	22.00	24.00	310.00	10.00	0.30
SU350-320-15-P	350.00	320.00	15.00	16.00	320.00	10.00	0.30
SU350-320-16-P	350.00	320.00	16.00	17.00	320.00	10.00	0.30
SU350-320-24-P	350.00	320.00	24.00	26.00	320.00	10.00	0.30
SU360-330-22-P	360.00	330.00	22.00	24.00	330.00	10.00	0.30
SU370-340-22-P	370.00	340.00	22.00	24.00	340.00	10.00	0.30
SU380-350-22-P	380.00	350.00	22.00	24.00	350.00	10.00	0.30
SU390-360-22-P	390.00	360.00	22.00	23.00	360.00	10.00	0.30
SU395-375-12-P	395.00	375.00	12.00	13.00	375.00	10.00	0.30
SU400-370-22-P	400.00	370.00	22.00	24.00	370.00	10.00	0.30
SU405-375-22-P	405.00	375.00	22.00	24.00	375.00	10.00	0.30
SU410-380-22-P	410.00	380.00	22.00	24.00	380.00	10.00	0.30
SU420-360-30-P	420.00	360.00	30.00	31.00	360.00	10.00	0.30
SU420-390-22-P	420.00	390.00	22.00	24.00	390.00	10.00	0.30
SU425-400-25-P	425.00	400.00	25.00	27.00	400.00	10.00	0.30
SU430-400-22-P	430.00	400.00	22.00	24.00	400.00	10.00	0.30
SU445-410-25-P	445.00	410.00	25.00	27.00	410.00	10.00	0.30
SU450-420-28-P	450.00	420.00	28.00	30.00	420.00	10.00	0.30
SU470-440-19-P	470.00	440.00	19.00	21.00	440.00	10.00	0.30
SU485-450-25-P	485.00	450.00	25.00	27.00	450.00	10.00	0.30

* Nominal Dimensions

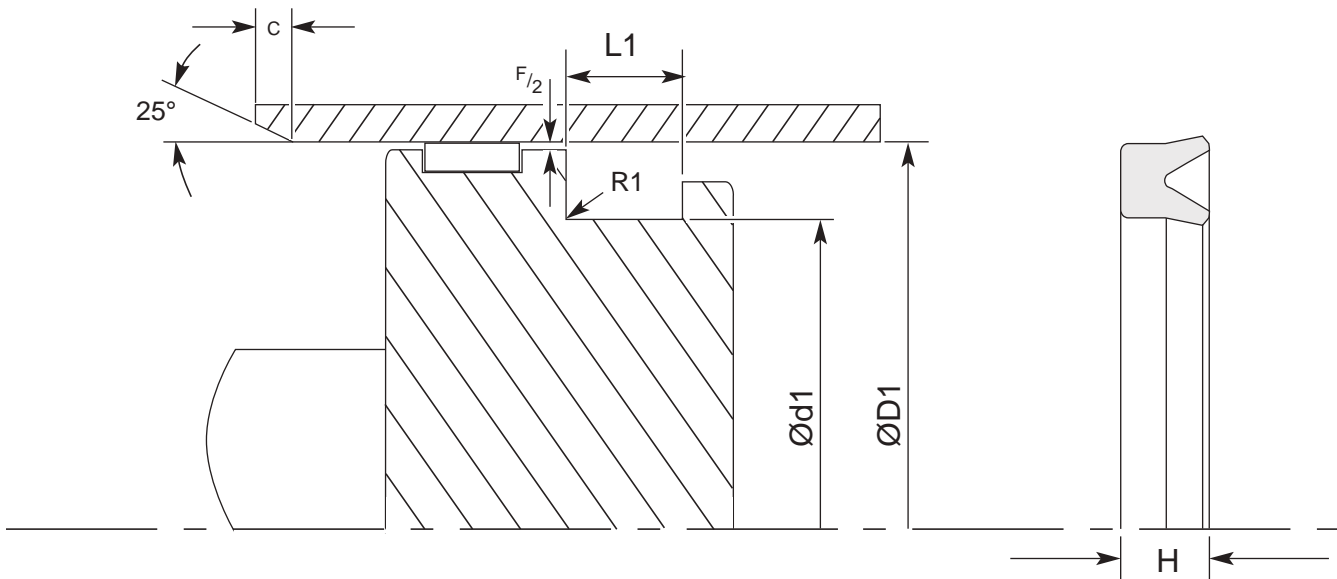
Fluid Power

The Hydraulic Seal Specialists



SU-P

Imperial **S**ingle Acting Rod or Piston **U**-Seal in **P**olyurethane



Maximum Diametrical Clearance F

Pressure	Bar	100	200	300	400
Maximum Gap	Inch	0.029	0.024	0.019	0.016

Tolerances

ØD1	Ød1	L1
H10	+0.004" -0.000"	+0.010"/-0.000"

Operating Conditions

Max Speed	Temp Range
m/s	-30° to 100°C
0.50	250 Bar
0.15	400 Bar

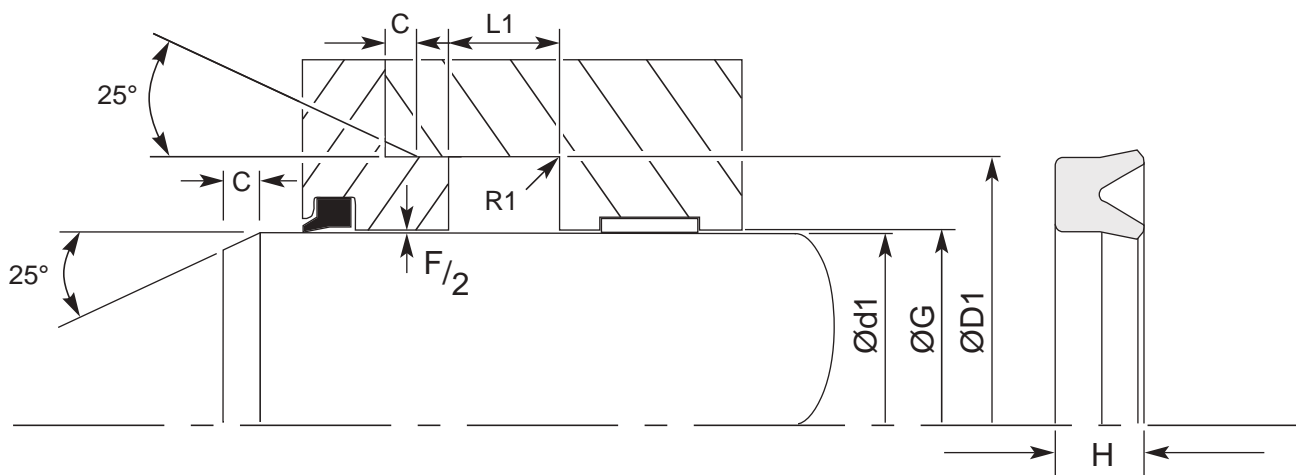
SU-P is a symmetrical seal suitable for both piston and rod applications. They are manufactured in a high performance Polyurethane which has a high abrasion resistance, a low compression set and a high resistance to extrusion. The Polyurethane properties and seal design give efficient fluid sealing, reduced friction values and low wear rate. The sealing effect of the SU-P is obtained due to the lip pre-compression when installed and the pressure effect on the lips.

Fluid Power

The Hydraulic Seal Specialists

SU-P

Imperial **S**ingle Acting Rod or Piston **U**-Seal in **P**olyurethane



Maximum Diametrical Clearance F

Pressure	Bar	100	200	300	400
Maximum Gap	Inch	0.029	0.024	0.019	0.016

Tolerances

ØD1	Ød1	L1	ØG
+0.004 -0.000	f7	+0.010"/-0.000"	H9

Operating Conditions

Max Speed	Temp Range
m/s	-30° to 100°C
0.50	250 Bar
0.15	400 Bar

SU-P is a symmetrical seal suitable for both piston and rod applications. They are manufactured in a high performance Polyurethane which has a high abrasion resistance, a low compression set and a high resistance to extrusion. The Polyurethane properties and seal design give efficient fluid sealing, reduced friction values and low wear rate. The sealing effect of the SU-P is obtained due to the lip pre-compression when installed and the pressure effect on the lips.

Fluid Power

The Hydraulic Seal Specialists



SU-P

Imperial **S**ingle Acting Rod or Piston **U**-Seal in **P**olyurethane

Part Number	*ØD1	*Ød1	H	*L1	*ØG	min	max
						C	R1
SU043018-012-P	0.437	0.187	0.125	0.156	0.187	0.156	0.008
SU043018-018-P	0.437	0.187	0.187	0.218	0.187	0.156	0.008
SU043018-025-P	0.437	0.187	0.250	0.281	0.187	0.156	0.008
SU043025-019-P	0.437	0.250	0.197	0.216	0.250	0.156	0.008
SU050018-025-P	0.500	0.187	0.250	0.281	0.187	0.156	0.008
SU050025-018-P	0.500	0.250	0.187	0.218	0.250	0.156	0.008
SU056031-025-P	0.562	0.312	0.250	0.275	0.250	0.156	0.008
SU062025-025-P	0.625	0.250	0.250	0.281	0.250	0.156	0.008
SU062025-031-P	0.625	0.250	0.312	0.343	0.250	0.156	0.008
SU062031-025-P	0.625	0.312	0.250	0.275	0.312	0.156	0.008
SU062037-012-P	0.625	0.375	0.125	0.156	0.375	0.156	0.008
SU062037-016-P	0.625	0.375	0.156	0.187	0.375	0.156	0.008
SU062037-025-P	0.625	0.375	0.250	0.275	0.375	0.156	0.008
SU068043-025-P	0.687	0.437	0.250	0.281	0.437	0.156	0.008
SU075037-025-P	0.750	0.375	0.250	0.275	0.375	0.156	0.008
SU075037-028-P	0.750	0.375	0.280	0.300	0.375	0.156	0.008
SU075037-031-P	0.750	0.375	0.312	0.343	0.375	0.156	0.008
SU075050-012-P	0.750	0.500	0.125	0.156	0.500	0.156	0.008
SU075050-025-P	0.750	0.500	0.250	0.275	0.500	0.156	0.008
SU081043-025-P	0.812	0.437	0.250	0.281	0.437	0.156	0.008
SU081056-012-P	0.812	0.562	0.125	0.156	0.562	0.156	0.008
SU087037-025-P	0.875	0.375	0.250	0.281	0.375	0.156	0.008
SU087050-020-P	0.875	0.500	0.197	0.218	0.500	0.156	0.008
SU087050-031-P	0.875	0.500	0.312	0.343	0.500	0.156	0.008
SU087062-012-P	0.875	0.625	0.125	0.156	0.625	0.156	0.008
SU087062-015-P	0.875	0.625	0.156	0.175	0.625	0.156	0.008
SU087062-018-P	0.875	0.625	0.188	0.207	0.625	0.156	0.008
SU087062-025-P	0.875	0.625	0.250	0.281	0.625	0.156	0.008
SU093056-018-P	0.937	0.562	0.187	0.218	0.562	0.156	0.008
SU100050-025-P	1.000	0.500	0.250	0.281	0.500	0.156	0.016
SU100050-037-P	1.000	0.500	0.375	0.406	0.500	0.156	0.016
SU100062-018-P	1.000	0.625	0.187	0.208	0.625	0.156	0.016
SU100062-025-P	1.000	0.625	0.250	0.281	0.625	0.156	0.016
SU100062-028-P	1.000	0.625	0.280	0.300	0.625	0.156	0.016
SU100062-031-P	1.000	0.625	0.312	0.343	0.625	0.156	0.016
SU100075-012-P	1.000	0.750	0.125	0.156	0.750	0.156	0.008
SU100075-015-P	1.000	0.750	0.156	0.175	0.750	0.156	0.008
SU100075-018-P	1.000	0.750	0.187	0.218	0.750	0.156	0.008
SU100075-025-P	1.000	0.750	0.250	0.281	0.750	0.156	0.008
SU112062-025-P	1.125	0.625	0.250	0.281	0.625	0.156	0.016

Fluid Power

The Hydraulic Seal Specialists

SU-P

Imperial **S**ingle Acting Rod or Piston **U**-Seal in **P**olyurethane

Part Number	*ØD1	*Ød1	H	*L1	*ØG	min	max
						C	R1
SU112062-037-P	1.125	0.625	0.375	0.406	0.625	0.156	0.016
SU112075-018-P	1.125	0.750	0.187	0.218	0.750	0.156	0.008
SU112075-025-P	1.125	0.750	0.250	0.281	0.750	0.156	0.008
SU112087-012-P	1.125	0.875	0.125	0.156	0.875	0.156	0.008
SU112087-017-P	1.125	0.875	0.172	0.203	0.875	0.156	0.008
SU112087-025-P	1.125	0.875	0.250	0.281	0.875	0.156	0.008
SU118068-037-P	1.187	0.687	0.375	0.406	0.687	0.156	0.016
SU125075-025-P	1.250	0.750	0.250	0.281	0.750	0.156	0.016
SU125075-037-P	1.250	0.750	0.375	0.406	0.750	0.156	0.016
SU125087-018-P	1.250	0.875	0.187	0.208	0.875	0.156	0.008
SU125087-025-P	1.250	0.875	0.250	0.281	0.875	0.156	0.008
SU125100-012-P	1.250	1.000	0.125	0.156	1.000	0.156	0.008
SU125100-015-P	1.250	1.000	0.156	0.175	1.000	0.156	0.008
SU125100-018-P	1.250	1.000	0.187	0.218	1.000	0.156	0.008
SU125100-025-P	1.250	1.000	0.250	0.275	1.000	0.156	0.008
SU131100-021-P	1.313	1.000	0.219	0.241	1.000	0.156	0.008
SU137087-025-P	1.375	0.875	0.250	0.275	0.875	0.156	0.016
SU137087-037-P	1.375	0.875	0.375	0.406	0.875	0.156	0.016
SU137100-018-P	1.375	1.000	0.187	0.218	1.000	0.156	0.008
SU137100-025-P	1.375	1.000	0.250	0.275	1.000	0.156	0.008
SU137100-031-P	1.375	1.000	0.312	0.343	1.000	0.156	0.008
SU137112-012-P	1.375	1.125	0.125	0.138	1.125	0.156	0.008
SU137112-018-P	1.375	1.125	0.187	0.205	1.125	0.156	0.008
SU137112-025-P	1.375	1.125	0.250	0.281	1.125	0.156	0.008
SU143093-025-P	1.437	0.937	0.250	0.281	0.937	0.156	0.016
SU149125-018-P	1.490	1.250	0.187	0.205	1.250	0.156	0.008
SU150100-025-P	1.500	1.000	0.250	0.275	1.000	0.156	0.016
SU150100-031-P	1.500	1.000	0.312	0.343	1.000	0.156	0.016
SU150100-037-P	1.500	1.000	0.375	0.406	1.000	0.156	0.016
SU150112-018-P	1.500	1.125	0.187	0.218	1.125	0.156	0.008
SU150112-025-P	1.500	1.125	0.250	0.275	1.125	0.156	0.008
SU150112-031-P	1.500	1.125	0.312	0.343	1.125	0.156	0.008
SU150125-012-P	1.500	1.250	0.125	0.156	1.250	0.156	0.008
SU150125-015-P	1.500	1.250	0.156	0.187	1.250	0.156	0.008
SU150125-018-P	1.500	1.250	0.187	0.218	1.250	0.156	0.008
SU150125-025-P	1.500	1.250	0.250	0.281	1.250	0.156	0.008
SU156131-025-P	1.562	1.312	0.250	0.281	1.312	0.156	0.008
SU162100-037-P	1.625	1.000	0.375	0.437	1.000	0.156	0.032
SU162112-025-P	1.625	1.125	0.250	0.275	1.125	0.156	0.016
SU162112-031-P	1.625	1.125	0.312	0.343	1.125	0.156	0.016

* Nominal Dimensions

Fluid Power

The Hydraulic Seal Specialists



SU-P

Imperial **S**ingle Acting Rod or Piston **U**-Seal in **P**olyurethane

Part Number	*ØD1	*Ød1	H	*L1	*ØG	min	max
						C	R1
SU162112-037-P	1.625	1.125	0.375	0.406	1.125	0.156	0.016
SU162112-050-P	1.625	1.125	0.500	0.550	1.125	0.156	0.016
SU162125-018-P	1.625	1.250	0.188	0.207	1.250	0.156	0.008
SU162125-025-P	1.625	1.250	0.250	0.275	1.250	0.156	0.008
SU162125-031-P	1.625	1.250	0.313	0.343	1.250	0.156	0.008
SU162125-037-P	1.625	1.250	0.375	0.413	1.250	0.156	0.008
SU162137-025-P	1.625	1.375	0.250	0.281	1.375	0.156	0.008
SU168118-025-P	1.687	1.187	0.250	0.281	1.187	0.156	0.016
SU168118-031-P	1.687	1.187	0.312	0.343	1.187	0.156	0.016
SU168118-037-P	1.687	1.187	0.375	0.400	1.187	0.156	0.016
SU168137-021-P	1.687	1.375	0.218	0.241	1.375	0.156	0.008
SU175112-050-P	1.750	1.125	0.500	0.550	1.125	0.156	0.032
SU175125-025-P	1.750	1.250	0.250	0.275	1.250	0.156	0.016
SU175125-028-P	1.750	1.250	0.281	0.312	1.250	0.156	0.016
SU175125-031-P	1.750	1.250	0.312	0.343	1.250	0.156	0.016
SU175125-037-P	1.750	1.250	0.375	0.413	1.250	0.156	0.016
SU175137-018-P	1.750	1.375	0.187	0.207	1.375	0.156	0.008
SU175137-025-P	1.750	1.375	0.250	0.281	1.375	0.156	0.008
SU175137-031-P	1.750	1.375	0.312	0.343	1.375	0.156	0.008
SU175137-037-P	1.750	1.375	0.375	0.413	1.375	0.156	0.008
SU175150-025-P	1.750	1.500	0.250	0.281	1.500	0.156	0.008
SU181143-025-P	1.812	1.437	0.250	0.281	1.437	0.156	0.008
SU187125-037-P	1.875	1.250	0.375	0.413	1.250	0.156	0.032
SU187125-050-P	1.875	1.250	0.500	0.531	1.250	0.156	0.032
SU187137-025-P	1.875	1.375	0.250	0.281	1.375	0.156	0.016
SU187137-037-P	1.875	1.375	0.375	0.413	1.375	0.156	0.016
SU187137-056-P	1.875	1.375	0.563	0.619	1.375	0.156	0.016
SU187150-018-P	1.875	1.500	0.187	0.218	1.500	0.156	0.008
SU187150-025-P	1.875	1.500	0.250	0.275	1.500	0.156	0.008
SU187150-031-P	1.875	1.500	0.312	0.343	1.500	0.156	0.008
SU187150-037-P	1.875	1.500	0.375	0.406	1.500	0.156	0.008
SU200125-037-P	2.000	1.250	0.375	0.406	1.250	0.156	0.032
SU200125-043-P	2.000	1.250	0.437	0.468	1.250	0.156	0.032
SU200125-050-P	2.000	1.250	0.500	0.531	1.250	0.156	0.032
SU200137-027-P	2.000	1.375	0.266	0.312	1.375	0.156	0.032
SU200137-031-P	2.000	1.375	0.312	0.343	1.375	0.156	0.032
SU200137-037-P	2.000	1.375	0.375	0.406	1.375	0.156	0.032
SU200137-042-P	2.000	1.375	0.421	0.460	1.375	0.156	0.032
SU200137-050-P	2.000	1.375	0.500	0.520	1.375	0.156	0.032
SU200137-056-P	2.000	1.375	0.562	0.582	1.375	0.156	0.032

Fluid Power

The Hydraulic Seal Specialists

SU-P

Imperial **S**ingle Acting Rod or Piston **U**-Seal in **P**olyurethane

Part Number	*ØD1	*Ød1	H	*L1	*ØG	min	max
						C	R1
SU200150-025-P	2.000	1.500	0.250	0.281	1.500	0.156	0.016
SU200150-031-P	2.000	1.500	0.312	0.343	1.500	0.156	0.016
SU200150-037-P	2.000	1.500	0.375	0.406	1.500	0.156	0.016
SU200150-060-P	2.000	1.500	0.600	0.625	1.500	0.156	0.016
SU200162-018-P	2.000	1.625	0.188	0.207	1.625	0.156	0.008
SU200162-025-P	2.000	1.625	0.250	0.281	1.625	0.156	0.008
SU200162-031-P	2.000	1.625	0.312	0.343	1.625	0.156	0.008
SU200162-037-P	2.000	1.625	0.375	0.406	1.625	0.156	0.008
SU206168-031-P	2.062	1.687	0.312	0.340	1.687	0.156	0.008
SU212150-031-P	2.125	1.500	0.312	0.360	1.500	0.156	0.008
SU212150-037-P	2.125	1.500	0.375	0.406	1.500	0.156	0.008
SU212162-025-P	2.125	1.625	0.250	0.290	1.625	0.156	0.008
SU212175-018-P	2.125	1.750	0.188	0.207	1.750	0.156	0.008
SU212175-025-P	2.125	1.750	0.250	0.281	1.750	0.156	0.008
SU212175-037-P	2.125	1.750	0.375	0.413	1.750	0.156	0.008
SU225150-037-P	2.250	1.500	0.375	0.406	1.500	0.156	0.032
SU225150-050-P	2.250	1.500	0.500	0.550	1.500	0.156	0.032
SU225162-037-P	2.250	1.625	0.375	0.406	1.625	0.156	0.032
SU225162-043-P	2.250	1.625	0.437	0.457	1.625	0.156	0.032
SU225162-047-P	2.250	1.625	0.470	0.500	1.625	0.156	0.032
SU225175-025-P	2.250	1.750	0.250	0.275	1.750	0.156	0.016
SU225175-031-P	2.250	1.750	0.312	0.343	1.750	0.156	0.016
SU225175-037-P	2.250	1.750	0.375	0.406	1.750	0.156	0.016
SU225187-037-P	2.250	1.875	0.375	0.406	1.875	0.156	0.016
SU225200-012-P	2.250	2.000	0.125	0.138	2.000	0.156	0.008
SU237162-037-P	2.375	1.625	0.375	0.406	1.625	0.200	0.032
SU237162-050-P	2.375	1.625	0.500	0.531	1.625	0.200	0.032
SU237175-027-P	2.375	1.750	0.266	0.312	1.750	0.200	0.016
SU237175-031-P	2.375	1.750	0.312	0.343	1.750	0.200	0.016
SU237175-037-P	2.375	1.750	0.375	0.395	1.750	0.200	0.016
SU237175-050-P	2.375	1.750	0.500	0.531	1.750	0.200	0.016
SU237175-056-P	2.375	1.750	0.562	0.582	1.750	0.200	0.016
SU237200-018-P	2.375	2.000	0.188	0.207	2.000	0.200	0.008
SU237200-025-P	2.375	2.000	0.250	0.275	2.000	0.200	0.008
SU237200-031-P	2.375	2.000	0.312	0.344	2.000	0.200	0.008
SU237200-037-P	2.375	2.000	0.375	0.413	2.000	0.200	0.008
SU243193-025-P	2.437	1.937	0.250	0.290	1.937	0.200	0.016
SU250175-037-P	2.500	1.750	0.375	0.406	1.750	0.200	0.032
SU250175-062-P	2.500	1.750	0.625	0.656	1.750	0.200	0.032
SU250187-031-P	2.500	1.875	0.312	0.360	1.875	0.200	0.032

* Nominal Dimensions

Fluid **Power**

The Hydraulic Seal Specialists



SU-P

Imperial **S**ingle Acting Rod or Piston **U**-Seal in **P**olyurethane

Part Number	*ØD1	*Ød1	H	*L1	*ØG	min	max
						C	R1
SU250187-037-P	2.500	1.875	0.375	0.406	1.875	0.200	0.032
SU250187-050-P	2.500	1.875	0.500	0.531	1.875	0.200	0.032
SU250196-050-P	2.500	1.968	0.500	0.539	1.968	0.200	0.016
SU250200-025-P	2.500	2.000	0.250	0.281	2.000	0.200	0.016
SU250200-031-P	2.500	2.000	0.312	0.343	2.000	0.200	0.016
SU250200-037-P	2.500	2.000	0.375	0.406	2.000	0.200	0.016
SU250200-050-P	2.500	2.000	0.500	0.550	2.000	0.200	0.016
SU250212-018-P	2.500	2.125	0.187	0.218	2.125	0.200	0.008
SU250212-025-P	2.500	2.125	0.250	0.280	2.125	0.200	0.008
SU250212-030-P	2.500	2.125	0.300	0.339	2.125	0.200	0.008
SU250212-031-P	2.500	2.125	0.312	0.343	2.125	0.200	0.008
SU250212-037-P	2.500	2.125	0.375	0.406	2.125	0.200	0.008
SU262200-025-P	2.625	2.000	0.250	0.281	2.000	0.200	0.032
SU262200-031-P	2.625	2.000	0.312	0.340	2.000	0.200	0.032
SU262200-036-P	2.625	2.000	0.360	0.399	2.000	0.200	0.032
SU262200-037-P	2.625	2.000	0.375	0.406	2.000	0.200	0.032
SU262200-050-P	2.625	2.000	0.500	0.550	2.000	0.200	0.032
SU262200-056-P	2.625	2.000	0.562	0.582	2.000	0.200	0.032
SU262212-037-P	2.625	2.125	0.375	0.395	2.125	0.200	0.016
SU262225-031-P	2.625	2.250	0.312	0.343	2.250	0.200	0.016
SU262225-037-P	2.625	2.250	0.375	0.406	2.250	0.200	0.016
SU275200-037-P	2.750	2.000	0.375	0.406	2.000	0.200	0.032
SU275200-050-P	2.750	2.000	0.500	0.520	2.000	0.200	0.032
SU275212-031-P	2.750	2.125	0.312	0.360	2.125	0.200	0.032
SU275212-037-P	2.750	2.125	0.375	0.406	2.125	0.200	0.032
SU275225-025-P	2.750	2.250	0.250	0.275	2.250	0.200	0.016
SU275225-031-P	2.750	2.250	0.312	0.343	2.250	0.200	0.016
SU275225-037-P	2.750	2.250	0.375	0.413	2.250	0.200	0.016
SU275237-037-P	2.750	2.375	0.375	0.406	2.375	0.200	0.016
SU287187-050-P	2.875	1.875	0.500	0.550	1.875	0.200	0.032
SU287187-062-P	2.875	1.875	0.625	0.665	1.875	0.200	0.032
SU287200-056-P	2.875	2.000	0.562	0.582	2.000	0.200	0.032
SU287225-025-P	2.875	2.250	0.250	0.281	2.250	0.200	0.032
SU287225-037-P	2.875	2.250	0.375	0.406	2.250	0.200	0.032
SU287225-050-P	2.875	2.250	0.500	0.550	2.250	0.200	0.032
SU287250-025-P	2.875	2.500	0.250	0.280	2.500	0.200	0.008
SU287250-037-P	2.875	2.500	0.375	0.413	2.500	0.200	0.008
SU293250-028-P	2.937	2.500	0.281	0.309	2.500	0.200	0.008
SU295258-037-P	2.953	2.580	0.375	0.413	2.580	0.200	0.008
SU300225-037-P	3.000	2.250	0.375	0.406	2.250	0.200	0.032

Fluid Power

The Hydraulic Seal Specialists

SU-P

Imperial **S**ingle Acting Rod or Piston **U**-Seal in **P**olyurethane

Part Number	*ØD1	*Ød1	H	*L1	*ØG	min	max
						C	R1
SU300225-050-P	3.000	2.250	0.500	0.520	2.250	0.200	0.032
SU300225-062-P	3.000	2.250	0.625	0.656	2.250	0.200	0.032
SU300237-031-P	3.000	2.375	0.312	0.344	2.375	0.200	0.032
SU300237-037-P	3.000	2.375	0.375	0.406	2.375	0.200	0.032
SU300237-050-P	3.000	2.375	0.500	0.531	2.375	0.200	0.032
SU300237-056-P	3.000	2.375	0.562	0.582	2.375	0.200	0.032
SU300250-025-P	3.000	2.500	0.250	0.275	2.500	0.200	0.016
SU300250-031-P	3.000	2.500	0.312	0.343	2.500	0.200	0.016
SU300250-037-P	3.000	2.500	0.375	0.406	2.500	0.200	0.016
SU300262-025-P	3.000	2.625	0.250	0.280	2.625	0.200	0.008
SU300262-037-P	3.000	2.625	0.375	0.413	2.625	0.200	0.008
SU312250-031-P	3.125	2.500	0.312	0.343	2.500	0.200	0.016
SU312250-037-P	3.125	2.500	0.375	0.406	2.500	0.200	0.016
SU312250-050-P	3.125	2.500	0.500	0.550	2.500	0.200	0.016
SU312250-056-P	3.125	2.500	0.562	0.582	2.500	0.200	0.016
SU312262-037-P	3.125	2.625	0.375	0.413	2.625	0.200	0.016
SU325250-037-P	3.250	2.500	0.375	0.406	2.500	0.200	0.032
SU325250-050-P	3.250	2.500	0.500	0.531	2.500	0.200	0.032
SU325250-062-P	3.250	2.500	0.625	0.656	2.500	0.200	0.032
SU325262-031-P	3.250	2.625	0.312	0.344	2.625	0.200	0.032
SU325262-037-P	3.250	2.625	0.375	0.406	2.625	0.200	0.032
SU325262-050-P	3.250	2.625	0.500	0.531	2.625	0.200	0.032
SU325262-056-P	3.250	2.625	0.562	0.582	2.625	0.200	0.032
SU325275-025-P	3.250	2.750	0.250	0.275	2.750	0.200	0.016
SU325275-037-P	3.250	2.750	0.375	0.413	2.750	0.200	0.016
SU325287-025-P	3.250	2.875	0.250	0.280	2.875	0.200	0.008
SU325287-037-P	3.250	2.875	0.375	0.406	2.875	0.200	0.008
SU337262-037-P	3.375	2.625	0.375	0.406	2.625	0.200	0.032
SU337262-062-P	3.375	2.625	0.625	0.688	2.625	0.200	0.032
SU337275-037-P	3.375	2.750	0.375	0.406	2.750	0.200	0.016
SU337275-056-P	3.375	2.750	0.562	0.582	2.750	0.200	0.016
SU337287-037-P	3.375	2.875	0.375	0.406	2.875	0.200	0.016
SU337300-018-P	3.375	3.000	0.188	0.207	3.000	0.200	0.008
SU337300-037-P	3.375	3.000	0.375	0.406	3.000	0.200	0.008
SU343300-028-P	3.438	3.000	0.281	0.309	3.000	0.200	0.008
SU350250-068-P	3.500	2.500	0.687	0.730	2.500	0.200	0.032
SU350275-037-P	3.500	2.750	0.375	0.406	2.750	0.200	0.032
SU350275-046-P	3.500	2.750	0.460	0.500	2.750	0.200	0.032
SU350275-050-P	3.500	2.750	0.500	0.520	2.750	0.200	0.032
SU350275-062-P	3.500	2.750	0.625	0.688	2.750	0.200	0.032

* Nominal Dimensions

Fluid **Power**

The Hydraulic Seal Specialists

**SU-P**Imperial **S**ingle Acting Rod or Piston **U**-Seal in **P**olyurethane

Part Number	*ØD1	*Ød1	H	*L1	*ØG	min	max
						C	R1
SU350287-031-P	3.500	2.875	0.312	0.360	2.875	0.200	0.032
SU350287-037-P	3.500	2.875	0.375	0.406	2.875	0.200	0.032
SU350287-050-P	3.500	2.875	0.500	0.531	2.875	0.200	0.032
SU350300-025-P	3.500	3.000	0.250	0.275	3.000	0.200	0.016
SU350300-037-P	3.500	3.000	0.375	0.413	3.000	0.200	0.016
SU350312-037-P	3.500	3.125	0.375	0.413	3.125	0.200	0.008
SU362287-050-P	3.625	2.875	0.500	0.530	2.875	0.200	0.032
SU362300-031-P	3.625	3.000	0.312	0.340	3.000	0.200	0.032
SU362300-036-P	3.625	3.000	0.360	0.400	3.000	0.200	0.032
SU362300-037-P	3.625	3.000	0.375	0.406	3.000	0.200	0.032
SU362300-050-P	3.625	3.000	0.500	0.550	3.000	0.200	0.032
SU362300-056-P	3.625	3.000	0.562	0.582	3.000	0.200	0.032
SU362325-037-P	3.625	3.250	0.375	0.413	3.250	0.200	0.008
SU375300-037-P	3.750	3.000	0.375	0.437	3.000	0.200	0.032
SU375300-043-P	3.750	3.000	0.437	0.476	3.000	0.200	0.032
SU375300-050-P	3.750	3.000	0.500	0.520	3.000	0.200	0.032
SU375300-062-P	3.750	3.000	0.625	0.656	3.000	0.200	0.032
SU375312-037-P	3.750	3.125	0.375	0.406	3.125	0.200	0.032
SU375312-050-P	3.750	3.125	0.500	0.531	3.125	0.200	0.032
SU375325-031-P	3.750	3.250	0.312	0.343	3.250	0.200	0.016
SU375325-037-P	3.750	3.250	0.375	0.413	3.250	0.200	0.016
SU375337-037-P	3.750	3.375	0.375	0.413	3.375	0.200	0.016
SU387325-056-P	3.875	3.250	0.562	0.582	3.250	0.200	0.032
SU387337-037-P	3.875	3.375	0.375	0.406	3.375	0.200	0.032
SU387350-037-P	3.875	3.500	0.375	0.406	3.500	0.200	0.032
SU400300-050-P	4.000	3.000	0.500	0.550	3.000	0.200	0.032
SU400300-062-P	4.000	3.000	0.625	0.656	3.000	0.200	0.032
SU400300-068-P	4.000	3.000	0.687	0.730	3.000	0.200	0.032
SU400325-037-P	4.000	3.250	0.375	0.406	3.250	0.200	0.032
SU400325-043-P	4.000	3.250	0.437	0.453	3.250	0.200	0.032
SU400325-050-P	4.000	3.250	0.500	0.539	3.250	0.200	0.032
SU400325-062-P	4.000	3.250	0.625	0.656	3.250	0.200	0.032
SU400350-025-P	4.000	3.500	0.250	0.281	3.500	0.200	0.016
SU400350-031-P	4.000	3.500	0.312	0.343	3.500	0.200	0.016
SU400350-037-P	4.000	3.500	0.375	0.413	3.500	0.200	0.016
SU400350-050-P	4.000	3.500	0.500	0.550	3.500	0.200	0.016
SU400362-037-P	4.000	3.625	0.375	0.413	3.625	0.200	0.008
SU402325-037-P	4.024	3.250	0.375	0.437	3.250	0.200	0.032
SU412337-056-P	4.125	3.375	0.562	0.582	3.375	0.250	0.032
SU412337-087-P	4.125	3.375	0.875	0.963	3.375	0.250	0.032

135 * Nominal Dimensions

Fluid Power

The Hydraulic Seal Specialists

SU-P

Imperial **S**ingle Acting Rod or Piston **U**-Seal in **P**olyurethane

Part Number	*ØD1	*Ød1	H	*L1	*ØG	min	max
						C	R1
SU412350-037-P	4.125	3.500	0.375	0.406	3.500	0.250	0.032
SU412350-047-P	4.125	3.500	0.475	0.514	3.500	0.250	0.032
SU412350-050-P	4.125	3.500	0.500	0.540	3.500	0.250	0.032
SU412375-037-P	4.125	3.750	0.375	0.406	3.750	0.250	0.016
SU425350-037-P	4.250	3.500	0.375	0.406	3.500	0.250	0.032
SU425350-050-P	4.250	3.500	0.500	0.531	3.500	0.250	0.032
SU425350-053-P	4.250	3.500	0.530	0.560	3.500	0.250	0.032
SU425350-062-P	4.250	3.500	0.625	0.656	3.500	0.250	0.032
SU425362-037-P	4.250	3.625	0.375	0.406	3.625	0.250	0.032
SU425362-056-P	4.250	3.625	0.562	0.582	3.625	0.250	0.032
SU425375-037-P	4.250	3.750	0.375	0.406	3.750	0.250	0.016
SU425387-018-P	4.250	3.875	0.187	0.207	3.875	0.250	0.008
SU437400-037-P	4.375	4.000	0.375	0.406	4.000	0.250	0.016
SU450350-050-P	4.500	3.500	0.500	0.531	3.500	0.250	0.032
SU450350-062-P	4.500	3.500	0.625	0.656	3.500	0.250	0.032
SU450350-068-P	4.500	3.500	0.687	0.730	3.500	0.250	0.032
SU450375-037-P	4.500	3.750	0.375	0.413	3.750	0.250	0.032
SU450375-050-P	4.500	3.750	0.500	0.531	3.750	0.250	0.032
SU450375-062-P	4.500	3.750	0.625	0.688	3.750	0.250	0.032
SU450387-037-P	4.500	3.875	0.375	0.406	3.875	0.250	0.032
SU450387-050-P	4.500	3.875	0.500	0.531	3.875	0.250	0.032
SU450400-025-P	4.500	4.000	0.250	0.275	4.000	0.250	0.032
SU450400-031-P	4.500	4.000	0.312	0.343	4.000	0.250	0.032
SU450400-037-P	4.500	4.000	0.375	0.413	4.000	0.250	0.032
SU450400-039-P	4.500	4.000	0.390	0.430	4.000	0.250	0.032
SU450400-050-P	4.500	4.000	0.500	0.550	4.000	0.250	0.032
SU450400-051-P	4.500	4.000	0.511	0.562	4.000	0.250	0.032
SU450400-056-P	4.500	4.000	0.562	0.619	4.000	0.250	0.032
SU462400-037-P	4.625	4.000	0.375	0.406	4.000	0.250	0.032
SU462412-056-P	4.625	4.125	0.563	0.593	4.125	0.250	0.016
SU475400-037-P	4.750	4.000	0.375	0.413	4.000	0.250	0.032
SU475400-050-P	4.750	4.000	0.500	0.531	4.000	0.250	0.032
SU475400-053-P	4.750	4.000	0.537	0.600	4.000	0.250	0.032
SU475400-062-P	4.750	4.000	0.625	0.656	4.000	0.250	0.032
SU475412-050-P	4.750	4.125	0.500	0.531	4.125	0.250	0.032
SU475412-056-P	4.750	4.125	0.563	0.593	4.125	0.250	0.032
SU475425-025-P	4.750	4.250	0.250	0.275	4.250	0.250	0.016
SU475437-037-P	4.750	4.375	0.375	0.406	4.375	0.250	0.016
SU487412-062-P	4.875	4.125	0.625	0.656	4.125	0.250	0.032
SU487425-056-P	4.875	4.250	0.562	0.582	4.250	0.250	0.032

* Nominal Dimensions

Fluid Power

The Hydraulic Seal Specialists



SU-P

Imperial **S**ingle Acting Rod or Piston **U**-Seal in **P**olyurethane

Part Number	*ØD1	*Ød1	H	*L1	*ØG	min	max
						C	R1
SU500375-062-P	5.000	3.750	0.625	0.656	3.750	0.250	0.032
SU500400-050-P	5.000	4.000	0.500	0.550	4.000	0.250	0.032
SU500400-062-P	5.000	4.000	0.625	0.688	4.000	0.250	0.032
SU500425-037-P	5.000	4.250	0.375	0.406	4.250	0.250	0.032
SU500425-050-P	5.000	4.250	0.500	0.531	4.250	0.250	0.032
SU500425-056-P	5.000	4.250	0.562	0.582	4.250	0.250	0.032
SU500425-062-P	5.000	4.250	0.625	0.656	4.250	0.250	0.032
SU500437-037-P	5.000	4.375	0.375	0.406	4.375	0.250	0.032
SU500437-050-P	5.000	4.375	0.500	0.531	4.375	0.250	0.032
SU500437-056-P	5.000	4.375	0.562	0.582	4.375	0.250	0.032
SU500450-025-P	5.000	4.500	0.250	0.275	4.500	0.250	0.016
SU500450-031-P	5.000	4.500	0.312	0.343	4.500	0.250	0.016
SU500450-037-P	5.000	4.500	0.375	0.413	4.500	0.250	0.016
SU500450-050-P	5.000	4.500	0.500	0.550	4.500	0.250	0.016
SU500450-056-P	5.000	4.500	0.562	0.619	4.500	0.250	0.016
SU512437-050-P	5.125	4.375	0.500	0.550	4.375	0.250	0.032
SU512450-037-P	5.125	4.500	0.375	0.406	4.500	0.250	0.032
SU512450-062-P	5.125	4.500	0.625	0.656	4.500	0.250	0.032
SU525450-037-P	5.250	4.500	0.375	0.413	4.500	0.250	0.032
SU525450-050-P	5.250	4.500	0.500	0.550	4.500	0.250	0.032
SU525450-062-P	5.250	4.500	0.625	0.656	4.500	0.250	0.032
SU525475-025-P	5.250	4.750	0.250	0.275	4.750	0.250	0.016
SU525475-037-P	5.250	4.750	0.375	0.406	4.750	0.250	0.016
SU525475-056-P	5.250	4.750	0.563	0.593	4.750	0.250	0.016
SU537462-050-P	5.375	4.625	0.500	0.531	4.625	0.250	0.032
SU537475-037-P	5.375	4.750	0.375	0.406	4.750	0.250	0.032
SU537475-050-P	5.375	4.750	0.500	0.531	4.750	0.250	0.032
SU537487-037-P	5.375	4.875	0.375	0.413	4.875	0.250	0.016
SU550475-036-P	5.500	4.750	0.360	0.437	4.750	0.250	0.032
SU550475-050-P	5.500	4.750	0.500	0.550	4.750	0.250	0.032
SU550475-062-P	5.500	4.750	0.625	0.656	4.750	0.250	0.032
SU550487-037-P	5.500	4.875	0.375	0.406	4.875	0.250	0.032
SU550487-050-P	5.500	4.875	0.500	0.531	4.875	0.250	0.032
SU550500-025-P	5.500	5.000	0.250	0.275	5.000	0.250	0.016
SU550500-037-P	5.500	5.000	0.375	0.413	5.000	0.250	0.016
SU550500-056-P	5.500	5.000	0.562	0.619	5.000	0.250	0.016
SU556500-034-P	5.562	5.000	0.344	0.382	5.000	0.250	0.016
SU562487-050-P	5.625	4.875	0.500	0.531	4.875	0.250	0.032
SU575500-037-P	5.750	5.000	0.375	0.413	5.000	0.250	0.032
SU575500-048-P	5.750	5.000	0.482	0.539	5.000	0.250	0.032

Fluid Power

The Hydraulic Seal Specialists

SU-P

Imperial **S**ingle Acting Rod or Piston **U**-Seal in **P**olyurethane

Part Number	*ØD1	*Ød1	H	*L1	*ØG	min	max
						C	R1
SU575500-050-P	5.750	5.000	0.500	0.550	5.000	0.250	0.032
SU575512-037-P	5.750	5.125	0.375	0.406	5.125	0.250	0.032
SU575512-050-P	5.750	5.125	0.500	0.531	5.125	0.250	0.032
SU575525-056-P	5.750	5.250	0.563	0.593	5.250	0.250	0.016
SU587525-037-P	5.875	5.250	0.375	0.406	5.250	0.250	0.032
SU587525-062-P	5.875	5.250	0.625	0.688	5.250	0.250	0.032
SU587537-037-P	5.875	5.375	0.375	0.406	5.375	0.250	0.016
SU600500-050-P	6.000	5.000	0.500	0.550	5.000	0.250	0.032
SU600500-075-P	6.000	5.000	0.750	0.825	5.000	0.250	0.032
SU600512-043-P	6.000	5.125	0.437	0.470	5.125	0.250	0.032
SU600525-037-P	6.000	5.250	0.375	0.413	5.250	0.250	0.032
SU600525-050-P	6.000	5.250	0.500	0.531	5.250	0.250	0.032
SU600525-062-P	6.000	5.250	0.625	0.688	5.250	0.250	0.032
SU600537-037-P	6.000	5.375	0.375	0.406	5.375	0.250	0.032
SU600537-050-P	6.000	5.375	0.500	0.550	5.375	0.250	0.032
SU600537-056-P	6.000	5.375	0.562	0.582	5.375	0.250	0.032
SU600537-062-P	6.000	5.375	0.625	0.582	5.375	0.250	0.032
SU600550-025-P	6.000	5.500	0.250	0.275	5.500	0.250	0.016
SU600550-037-P	6.000	5.500	0.375	0.413	5.500	0.250	0.016
SU600550-056-P	6.000	5.500	0.562	0.613	5.500	0.250	0.016
SU612512-075-P	6.125	5.125	0.750	0.825	5.125	0.250	0.032
SU612537-050-P	6.125	5.375	0.500	0.531	5.375	0.250	0.032
SU612550-037-P	6.125	5.500	0.375	0.406	5.500	0.250	0.032
SU612562-037-P	6.125	5.625	0.375	0.406	5.625	0.250	0.016
SU625550-037-P	6.250	5.500	0.375	0.413	5.500	0.250	0.032
SU625550-050-P	6.250	5.500	0.500	0.531	5.500	0.250	0.032
SU625550-062-P	6.250	5.500	0.625	0.688	5.500	0.250	0.032
SU625562-050-P	6.250	5.625	0.500	0.531	5.625	0.250	0.032
SU625575-025-P	6.250	5.750	0.250	0.275	5.750	0.250	0.016
SU637562-062-P	6.375	5.625	0.625	0.656	5.625	0.250	0.032
SU650575-037-P	6.500	5.750	0.375	0.406	5.750	0.250	0.032
SU650575-050-P	6.500	5.750	0.500	0.531	5.750	0.250	0.032
SU650575-062-P	6.500	5.750	0.625	0.656	5.750	0.250	0.032
SU650587-037-P	6.500	5.875	0.375	0.406	5.875	0.250	0.032
SU650600-037-P	6.500	6.000	0.375	0.406	6.000	0.250	0.016
SU650600-056-P	6.500	6.000	0.562	0.613	6.000	0.250	0.016
SU675600-050-P	6.750	6.000	0.500	0.550	6.000	0.250	0.032
SU675600-062-P	6.750	6.000	0.625	0.688	6.000	0.250	0.032
SU675625-050-P	6.750	6.250	0.500	0.531	6.250	0.250	0.016
SU700600-050-P	7.000	6.000	0.500	0.550	6.000	0.250	0.032

* Nominal Dimensions

Fluid **Power**

The Hydraulic Seal Specialists

**SU-P**Imperial **S**ingle Acting Rod or Piston **U**-Seal in **P**olyurethane

Part Number	*ØD1	*Ød1	H	*L1	*ØG	min	max
						C	R1
SU700600-062-P	7.000	6.000	0.625	0.656	6.000	0.250	0.032
SU700600-075-P	7.000	6.000	0.750	0.781	6.000	0.250	0.032
SU700625-037-P	7.000	6.250	0.375	0.413	6.250	0.250	0.032
SU700625-050-P	7.000	6.250	0.500	0.531	6.250	0.250	0.032
SU700625-062-P	7.000	6.250	0.625	0.688	6.250	0.250	0.032
SU700637-056-P	7.000	6.375	0.562	0.582	6.375	0.250	0.032
SU700650-037-P	7.000	6.500	0.375	0.406	6.500	0.250	0.016
SU700650-050-P	7.000	6.500	0.500	0.531	6.500	0.250	0.016
SU712650-062-P	7.125	6.500	0.625	0.688	6.500	0.250	0.032
SU725650-037-P	7.250	6.500	0.375	0.413	6.500	0.250	0.032
SU725650-050-P	7.250	6.500	0.500	0.531	6.500	0.250	0.032
SU725650-062-P	7.250	6.500	0.625	0.688	6.500	0.250	0.032
SU750650-050-P	7.500	6.500	0.500	0.531	6.500	0.250	0.032
SU750650-075-P	7.500	6.500	0.750	0.781	6.500	0.250	0.032
SU750675-050-P	7.500	6.750	0.500	0.531	6.750	0.250	0.032
SU750700-056-P	7.500	7.000	0.563	0.593	7.000	0.250	0.016
SU775675-075-P	7.750	6.750	0.750	0.781	6.750	0.250	0.032
SU775700-050-P	7.750	7.000	0.500	0.531	7.000	0.250	0.032
SU775700-062-P	7.750	7.000	0.625	0.656	7.000	0.250	0.032
SU800700-050-P	8.000	7.000	0.500	0.531	7.000	0.375	0.032
SU800700-062-P	8.000	7.000	0.625	0.656	7.000	0.375	0.032
SU800700-075-P	8.000	7.000	0.750	0.781	7.000	0.375	0.032
SU800725-037-P	8.000	7.250	0.375	0.413	7.250	0.375	0.032
SU800725-050-P	8.000	7.250	0.500	0.531	7.250	0.375	0.032
SU800725-062-P	8.000	7.250	0.625	0.688	7.250	0.375	0.032
SU850750-075-P	8.500	7.500	0.750	0.781	7.500	0.375	0.032
SU850775-050-P	8.500	7.750	0.500	0.531	7.750	0.375	0.032
SU875775-075-P	8.750	7.750	0.750	0.825	7.750	0.375	0.032
SU900800-062-P	9.000	8.000	0.625	0.656	8.000	0.375	0.032
SU900800-075-P	9.000	8.000	0.750	0.781	8.000	0.375	0.032
SU900825-050-P	9.000	8.250	0.500	0.531	8.250	0.375	0.032
SU900850-037-P	9.000	8.500	0.375	0.406	8.500	0.375	0.016
SU925850-062-P	9.250	8.500	0.625	0.656	8.500	0.375	0.032
SU1000900-062-P	10.000	9.000	0.625	0.656	9.000	0.375	0.032
SU1000900-075-P	10.000	9.000	0.750	0.781	9.000	0.375	0.032
SU11001000-062-P	11.000	10.000	0.625	0.656	10.000	0.375	0.032
SU11001000-075-P	11.000	10.000	0.750	0.781	10.000	0.375	0.032
SU13001200-075-P	13.000	12.000	0.750	0.825	12.000	0.375	0.032
SU14001250-100-P	14.000	12.500	1.000	1.031	12.500	0.375	0.032
SU16001500-075-P	16.000	15.000	0.750	0.781	15.000	0.375	0.032

Fluid Power

The Hydraulic Seal Specialists

SU-P

Imperial **S**ingle Acting Rod or Piston **U**-Seal in **P**olyurethane



Part Number	*ØD1	*Ød1	H	*L1	*ØG	min	max
						C	R1
SU18001700-075-P	18.000	17.000	0.750	0.781	17.000	0.375	0.032

* Nominal Dimensions

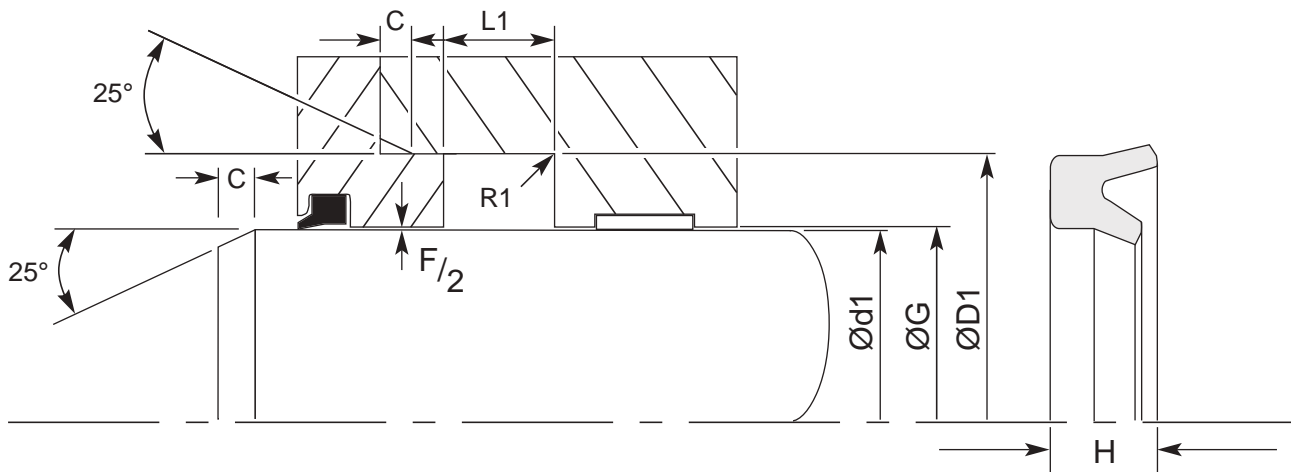
Fluid Power

The Hydraulic Seal Specialists



SU-DI-P

Metric **S**ingle Acting **U**-seal (**D**istributor **I**nternal) in **P**olyurethane



Maximum Diametrical Clearance F					
Pressure	Bar	100	200	300	400
Maximum Gap	mm	0.75	0.60	0.48	0.40

Tolerances			
ØD1	Ød1	L1	ØG
H10	f7	+0.25/-0.00	H9

Operating Conditions	
Max Speed	Temp Range
m/s	-30° to 100°C
0.50	250 Bar
0.15	400 Bar

SU-DI-P is an asymmetrical seal specifically designed for rod applications. They are manufactured in a high performance Polyurethane which has a high abrasion resistance, a low compression set and a high resistance to extrusion. The Polyurethane properties and seal design give efficient fluid sealing, reduced friction values and low wear rate. The sealing effect of the SU-DI-P is obtained due to the lip pre-compression when installed and the pressure effect on the lips.

Fluid Power

The Hydraulic Seal Specialists

SU-DI-P

Metric **S**ingle Acting **U**-seal (**D**istributor **I**nternal) in **P**olyurethane



Part Number	*ØD1	*Ød1	H	*L1	*ØG	min	max
						C	R1
SU10-6-3DI-P	10.00	6.00	3.00	3.50	6.00	5.00	0.20
SU12-4-6DI-P	12.00	4.00	6.00	7.00	4.00	5.00	0.20
SU12-6-5.5DI-P	12.00	6.00	5.50	6.00	6.00	5.00	0.20
SU13-6-5DI-P	13.00	6.00	5.00	5.60	6.00	5.00	0.30
SU14-6-5.7DI-P	14.00	6.00	5.70	6.30	6.00	5.00	0.20
SU14-8-4DI-P	14.00	8.00	4.00	4.50	8.00	5.00	0.20
SU14-8-5DI-P	14.00	8.00	5.00	5.60	8.00	5.00	0.20
SU14.3-6.3-5DI-P	14.30	6.30	5.00	5.70	6.30	5.00	0.20
SU14.4-8-9.5DI-P	14.40	8.00	9.50	10.50	8.00	5.00	0.20
SU14.5-9-5DI-P	14.50	9.00	5.00	5.60	9.00	5.00	0.20
SU16-8-5DI-P	16.00	8.00	5.00	5.70	8.00	5.00	0.20
SU16-8-5.7DI-P	16.00	8.00	5.70	6.30	8.00	5.00	0.20
SU16-8-8.2DI-P	16.00	8.00	8.20	9.00	8.00	5.00	0.20
SU16-9-5.7DI-P	16.00	9.00	5.70	6.30	9.00	5.00	0.20
SU16-10-4.5DI-P	16.00	10.00	4.50	5.00	10.00	5.00	0.20
SU16.3-6.3-5DI-P	16.30	6.30	5.00	5.70	6.30	5.00	0.30
SU16.3-6.3-6DI-P	16.30	6.30	6.00	7.00	6.30	5.00	0.30
SU16.3-6.3-7.5DI-P	16.30	6.30	7.50	8.50	6.30	5.00	0.30
SU16.3-6.3-8DI-P	16.30	6.30	8.00	9.00	6.30	5.00	0.30
SU17-10-5.7DI-P	17.00	10.00	5.70	6.30	10.00	5.00	0.20
SU17-12-3.5DI-P	17.00	12.00	3.50	4.00	12.00	5.00	0.20
SU18-8-6DI-P	18.00	8.00	6.00	7.00	8.00	5.00	0.30
SU18-8-7.5DI-P	18.00	8.00	7.50	8.50	8.00	5.00	0.30
SU18-8-8DI-P	18.00	8.00	8.00	9.00	8.00	5.00	0.30
SU18-10-5DI-P	18.00	10.00	5.00	5.70	10.00	5.00	0.20
SU18-10-5.7DI-P	18.00	10.00	5.70	6.30	10.00	5.00	0.20
SU19-9-6DI-P	19.00	9.00	6.00	7.00	9.00	5.00	0.30
SU19-9-7.5DI-P	19.00	9.00	7.50	8.50	9.00	5.00	0.30
SU19-9-8DI-P	19.00	9.00	8.00	9.00	9.00	5.00	0.30
SU19-11.5-5DI-P	19.00	11.50	5.00	5.60	11.50	5.00	0.30
SU19-12-5DI-P	19.00	12.00	5.00	5.60	12.00	5.00	0.20
SU19-12-5.7DI-P	19.00	12.00	5.70	6.30	12.00	5.00	0.20
SU19.2-11.2-5DI-P	19.20	11.20	5.00	5.70	11.20	5.00	0.20
SU20-8-8DI-P	20.00	8.00	8.00	9.00	8.00	5.00	0.30
SU20-10-6DI-P	20.00	10.00	6.00	7.00	10.00	5.00	0.30
SU20-10-7DI-P	20.00	10.00	7.00	8.00	10.00	5.00	0.30
SU20-10-7.5DI-P	20.00	10.00	7.50	8.50	10.00	5.00	0.30
SU20-10-8DI-P	20.00	10.00	8.00	9.00	10.00	5.00	0.30
SU20-12-5.7DI-P	20.00	12.00	5.70	6.40	12.00	5.00	0.20
SU20.5-12.5-5DI-P	20.50	12.50	5.00	5.70	12.50	5.00	0.20

* Nominal Dimensions

Fluid Power

The Hydraulic Seal Specialists



SU-DI-P

Metric **S**ingle Acting **U**-seal(**D**istributor **I**nternal) in **P**olyurethane

Part Number	*ØD1	*Ød1	H	*L1	*ØG	min	max
						C	R1
SU20.6-16-3.3DI-P	20.60	16.00	3.30	3.60	16.00	5.00	0.20
SU21-14-5DI-P	21.00	14.00	5.00	5.60	14.00	5.00	0.20
SU21.2-11.2-6DI-P	21.20	11.20	6.00	7.00	11.20	5.00	0.30
SU21.2-11.2-7.5DI-P	21.20	11.20	7.50	8.50	11.20	5.00	0.30
SU21.2-11.2-8DI-P	21.20	11.20	8.00	9.00	11.20	5.00	0.30
SU22-12-5DI-P	22.00	12.00	5.00	6.00	12.00	5.00	0.30
SU22-12-7DI-P	22.00	12.00	7.00	8.00	12.00	5.00	0.30
SU22-12-7.5DI-P	22.00	12.00	7.50	8.50	12.00	5.00	0.30
SU22-12-8DI-P	22.00	12.00	8.00	9.00	12.00	5.00	0.30
SU22-14-5DI-P	22.00	14.00	5.00	5.70	14.00	5.00	0.20
SU22-14-5.8DI-P	22.00	14.00	5.80	6.30	14.00	5.00	0.20
SU22-14-7.3DI-P	22.00	14.00	7.30	8.00	14.00	5.00	0.20
SU22-16-5DI-P	22.00	16.00	5.00	5.50	16.00	5.00	0.20
SU22-16-10DI-P	22.00	16.00	10.00	11.00	16.00	5.00	0.20
SU22.5-12.5-6DI-P	22.50	12.50	6.00	7.00	12.50	5.00	0.20
SU22.5-12.5-7.5DI-P	22.50	12.50	7.50	8.50	12.50	5.00	0.20
SU22.5-12.5-8DI-P	22.50	12.50	8.00	9.00	12.50	5.00	0.20
SU23-13-8DI-P	23.00	13.00	8.00	9.00	13.00	5.00	0.30
SU23-15-5DI-P	23.00	15.00	5.00	5.70	15.00	5.00	0.20
SU23-15-5.7DI-P	23.00	15.00	5.70	6.30	15.00	5.00	0.20
SU23-15-6DI-P	23.00	15.00	6.00	7.00	15.00	5.00	0.20
SU23-15-10DI-P	23.00	15.00	10.00	11.00	15.00	5.00	0.20
SU24-14-6DI-P	24.00	14.00	6.00	7.00	14.00	5.00	0.30
SU24-14-7.2DI-P	24.00	14.00	7.20	8.00	14.00	5.00	0.30
SU24-14-7.5DI-P	24.00	14.00	7.50	8.50	14.00	5.00	0.30
SU24-14-8DI-P	24.00	14.00	8.00	9.00	14.00	5.00	0.30
SU24-16-5.8DI-P	24.00	16.00	5.80	6.30	16.00	5.00	0.30
SU24-16-6.2DI-P	24.00	16.00	6.20	7.00	16.00	5.00	0.30
SU24-18-4.7DI-P	24.00	18.00	4.70	5.20	18.00	5.00	0.20
SU24-18-5DI-P	24.00	18.00	5.00	6.00	18.00	5.00	0.20
SU25-15-6DI-P	25.00	15.00	6.00	7.00	15.00	5.00	0.30
SU25-15-8DI-P	25.00	15.00	8.00	9.00	15.00	5.00	0.30
SU25-18-5DI-P	25.00	18.00	5.00	6.00	18.00	5.00	0.20
SU25-20-5DI-P	25.00	20.00	5.00	5.70	20.00	5.00	0.20
SU26-16-5DI-P	26.00	16.00	5.00	5.50	16.00	5.00	0.30
SU26-16-7.2DI-P	26.00	16.00	7.20	8.00	16.00	5.00	0.30
SU26-16-7.7DI-P	26.00	16.00	7.70	8.70	16.00	5.00	0.30
SU26-16-8DI-P	26.00	16.00	8.00	9.00	16.00	5.00	0.30
SU26-16-9DI-P	26.00	16.00	9.00	10.00	16.00	5.00	0.30
SU26-18-5DI-P	26.00	18.00	5.00	5.70	18.00	5.00	0.20

Fluid Power

The Hydraulic Seal Specialists

SU-DI-P

Metric **S**ingle Acting **U**-seal (**D**istributor **I**nternal) in **P**olyurethane

Part Number	*ØD1	*Ød1	H	*L1	*ØG	min	max
						C	R1
SU26-18-5.8DI-P	26.00	18.00	5.80	6.30	18.00	5.00	0.20
SU26-18-8DI-P	26.00	18.00	8.00	9.00	18.00	5.00	0.20
SU26-20-5DI-P	26.00	20.00	5.00	5.50	20.00	5.00	0.20
SU28-15-8DI-P	28.00	15.00	8.00	9.00	15.00	5.00	0.30
SU28-15-10DI-P	28.00	15.00	10.00	11.00	15.00	5.00	0.30
SU28-18-7.2DI-P	28.00	18.00	7.20	8.00	18.00	5.00	0.30
SU28-18-8DI-P	28.00	18.00	8.00	9.00	18.00	5.00	0.30
SU28-20-5DI-P	28.00	20.00	5.00	5.70	20.00	5.00	0.20
SU28-20-5.7DI-P	28.00	20.00	5.70	6.30	20.00	5.00	0.20
SU28-20-6DI-P	28.00	20.00	6.00	7.00	20.00	5.00	0.20
SU28-20-7DI-P	28.00	20.00	7.00	8.00	20.00	5.00	0.20
SU28-20-8DI-P	28.00	20.00	8.00	9.00	20.00	5.00	0.20
SU28-22-5DI-P	28.00	22.00	5.00	5.60	20.00	5.00	0.20
SU29-22-5DI-P	29.00	22.00	5.00	5.60	20.00	5.00	0.20
SU30-20-6DI-P	30.00	20.00	6.00	7.00	20.00	5.00	0.30
SU30-20-7.2DI-P	30.00	20.00	7.20	8.00	20.00	5.00	0.30
SU30-20-8DI-P	30.00	20.00	8.00	9.00	20.00	5.00	0.30
SU30-20-10DI-P	30.00	20.00	10.00	11.00	20.00	5.00	0.30
SU30-22-5DI-P	30.00	22.00	5.00	5.70	22.00	5.00	0.20
SU30-22-5.7DI-P	30.00	22.00	5.70	6.30	22.00	5.00	0.20
SU30-22-8DI-P	30.00	22.00	8.00	9.00	22.00	5.00	0.20
SU30-22.4-5DI-P	30.00	22.40	5.00	5.70	22.40	5.00	0.20
SU30.4-22.4-5DI-P	30.40	22.40	5.00	5.70	22.40	5.00	0.20
SU31-18-8DI-P	31.00	18.00	8.00	9.00	18.00	5.00	0.30
SU31-18-10DI-P	31.00	18.00	10.00	11.00	18.00	5.00	0.30
SU31.5-23.5-5DI-P	31.50	23.50	5.00	5.70	23.50	5.00	0.20
SU32-20-6DI-P	32.00	20.00	6.00	7.00	20.00	5.00	0.30
SU32-20-7.5DI-P	32.00	20.00	7.50	8.50	20.00	5.00	0.30
SU32-22-6DI-P	32.00	22.00	6.00	7.00	22.00	5.00	0.30
SU32-22-7.2DI-P	32.00	22.00	7.20	8.00	22.00	5.00	0.30
SU32-22-8DI-P	32.00	22.00	8.00	9.00	22.00	5.00	0.30
SU32-22-10DI-P	32.00	22.00	10.00	11.00	22.00	5.00	0.30
SU32-25-6DI-P	32.00	25.00	6.00	7.00	25.00	5.00	0.20
SU33-25-5DI-P	33.00	25.00	5.00	5.70	25.00	5.00	0.20
SU33-25-5.7DI-P	33.00	25.00	5.70	6.30	25.00	5.00	0.20
SU33-25-6.3DI-P	33.00	25.00	6.30	7.00	25.00	5.00	0.20
SU33-25-7.2DI-P	33.00	25.00	7.20	8.00	25.00	5.00	0.20
SU33-25-8.2DI-P	33.00	25.00	8.20	9.00	25.00	5.00	0.20
SU33-25-10DI-P	33.00	25.00	10.00	11.00	25.00	5.00	0.20
SU34-24-7DI-P	34.00	24.00	7.00	8.00	24.00	5.00	0.20

* Nominal Dimensions

Fluid Power

The Hydraulic Seal Specialists



SU-DI-P

Metric **S**ingle Acting **U**-seal(**D**istributor **I**nternal) in **P**olyurethane

Part Number	*ØD1	*Ød1	H	*L1	*ØG	min	max
						C	R1
SU34-24-8.5DI-P	34.00	24.00	8.50	9.50	24.00	5.00	0.20
SU35-20-10DI-P	35.00	20.00	10.00	11.00	20.00	5.00	0.30
SU35-25-5DI-P	35.00	25.00	5.00	5.70	25.00	5.00	0.30
SU35-25-6DI-P	35.00	25.00	6.00	7.00	25.00	5.00	0.30
SU35-25-7.2DI-P	35.00	25.00	7.20	8.00	25.00	5.00	0.30
SU35-25-8DI-P	35.00	25.00	8.00	9.00	25.00	5.00	0.30
SU35-25-8.2DI-P	35.00	25.00	8.20	9.00	25.00	5.00	0.30
SU35-25-10DI-P	35.00	25.00	10.00	11.00	25.00	5.00	0.30
SU35-29-5.6DI-P	35.00	29.00	5.60	6.30	29.00	5.00	0.20
SU35.5-28-5DI-P	35.50	28.00	5.00	5.70	28.00	5.00	0.20
SU36-28-5DI-P	36.00	28.00	5.00	5.70	28.00	5.00	0.20
SU36-28-5.7DI-P	36.00	28.00	5.70	6.30	28.00	5.00	0.20
SU36-28-8.2DI-P	36.00	28.00	8.20	9.00	28.00	5.00	0.20
SU36-28-10DI-P	36.00	28.00	10.00	11.00	28.00	5.00	0.20
SU37-25-6DI-P	37.00	25.00	6.00	7.00	25.00	5.00	0.20
SU37-30-6DI-P	37.00	30.00	6.00	6.70	30.00	5.00	0.20
SU38-25-9DI-P	38.00	25.00	9.00	10.00	25.00	5.00	0.30
SU38-25-10DI-P	38.00	25.00	10.00	11.00	25.00	5.00	0.30
SU38-28-6DI-P	38.00	28.00	6.00	7.00	28.00	5.00	0.30
SU38-28-7.2DI-P	38.00	28.00	7.20	8.00	28.00	5.00	0.30
SU38-28-10DI-P	38.00	28.00	10.00	11.00	28.00	5.00	0.30
SU38-30-5.7DI-P	38.00	30.00	5.70	6.30	30.00	5.00	0.20
SU38-30-6.3DI-P	38.00	30.00	6.30	7.30	30.00	5.00	0.20
SU38-30-8DI-P	38.00	30.00	8.00	9.00	30.00	5.00	0.20
SU39-28-8DI-P	39.00	28.00	8.00	9.00	28.00	5.00	0.30
SU40-25-9DI-P	40.00	25.00	9.00	10.00	25.00	5.00	0.30
SU40-25-10DI-P	40.00	25.00	10.00	11.00	25.00	5.00	0.30
SU40-25-11DI-P	40.00	25.00	11.00	12.00	25.00	5.00	0.30
SU40-27-10DI-P	40.00	27.00	10.00	11.00	27.00	5.00	0.30
SU40-28-8.5DI-P	40.00	28.00	8.50	9.50	28.00	5.00	0.30
SU40-28-10DI-P	40.00	28.00	10.00	11.00	28.00	5.00	0.30
SU40-30-5.7DI-P	40.00	30.00	5.70	6.30	30.00	5.00	0.30
SU40-30-6DI-P	40.00	30.00	6.00	7.00	30.00	5.00	0.30
SU40-30-7.2DI-P	40.00	30.00	7.20	8.00	30.00	5.00	0.30
SU40-30-8DI-P	40.00	30.00	8.00	9.00	30.00	5.00	0.30
SU40-30-9.5DI-P	40.00	30.00	9.50	10.50	30.00	5.00	0.30
SU40-30-10DI-P	40.00	30.00	10.00	11.00	30.00	5.00	0.30
SU40-30-10.3DI-P	40.00	30.00	10.30	11.30	30.00	5.00	0.30
SU40-32-5.7DI-P	40.00	32.00	5.70	6.30	32.00	5.00	0.20
SU40-32-6DI-P	40.00	32.00	6.00	7.00	32.00	5.00	0.20

145 * Nominal Dimensions

Fluid Power

The Hydraulic Seal Specialists

SU-DI-P

Metric **S**ingle Acting **U**-seal (**D**istributor **I**nternal) in **P**olyurethane



Part Number	*ØD1	*Ød1	H	*L1	*ØG	min	max
						C	R1
SU40-32-6.7DI-P	40.00	32.00	6.70	7.50	32.00	5.00	0.20
SU40-32-8DI-P	40.00	32.00	8.00	9.00	32.00	5.00	0.20
SU41-28-8DI-P	41.00	28.00	8.00	9.00	28.00	5.00	0.30
SU41-28-10DI-P	41.00	28.00	10.00	11.00	28.00	5.00	0.30
SU41.5-31.5-6DI-P	41.50	31.50	6.00	7.00	31.50	5.00	0.30
SU41.5-31.5-8DI-P	41.50	31.50	8.00	9.00	31.50	5.00	0.30
SU42-30-8.5DI-P	42.00	30.00	8.50	9.50	30.00	5.00	0.30
SU42-32-6DI-P	42.00	32.00	6.00	7.00	32.00	5.00	0.30
SU42-32-7.2DI-P	42.00	32.00	7.20	8.00	32.00	5.00	0.30
SU42-32-8.2DI-P	42.00	32.00	8.20	9.00	32.00	5.00	0.30
SU42-32-10DI-P	42.00	32.00	10.00	11.00	32.00	5.00	0.30
SU42-36-7.5DI-P	42.00	36.00	7.50	8.50	36.00	5.00	0.20
SU42.5-32-8DI-P	42.53	32.00	8.00	9.00	32.00	5.00	0.30
SU43-28-9DI-P	43.00	28.00	9.00	10.00	28.00	5.00	0.30
SU43-28-10DI-P	43.00	28.00	10.00	11.00	28.00	5.00	0.30
SU43-28-11.5DI-P	43.00	28.00	11.50	12.50	28.00	5.00	0.30
SU43-30-9DI-P	43.00	30.00	9.00	10.00	30.00	5.00	0.30
SU43-30-10DI-P	43.00	30.00	10.00	11.00	30.00	5.00	0.30
SU43-33-10DI-P	43.00	33.00	10.00	11.00	33.00	5.00	0.30
SU43-35-5.7DI-P	43.00	35.00	5.70	6.30	35.00	5.00	0.20
SU43-35-6DI-P	43.00	35.00	6.00	7.00	35.00	5.00	0.20
SU43-35-8DI-P	43.00	35.00	8.00	9.00	35.00	5.00	0.20
SU44-34-7DI-P	44.00	34.00	7.00	8.00	34.00	5.00	0.30
SU44-36-5.7DI-P	44.00	36.00	5.70	6.30	36.00	5.00	0.20
SU44-36-6DI-P	44.00	36.00	6.00	7.00	36.00	5.00	0.20
SU44-36-8.2DI-P	44.00	36.00	8.20	9.00	36.00	5.00	0.20
SU44.5-31.5-8DI-P	44.50	31.50	8.00	9.00	31.50	5.00	0.30
SU44.5-31.5-10DI-P	44.50	31.50	10.00	11.00	31.50	5.00	0.30
SU44.5-38-4.7DI-P	44.50	38.00	4.70	5.30	38.00	5.00	0.20
SU45-30-8DI-P	45.00	30.00	8.00	9.00	30.00	5.00	0.30
SU45-30-9DI-P	45.00	30.00	9.00	10.00	30.00	5.00	0.30
SU45-30-10DI-P	45.00	30.00	10.00	11.00	30.00	5.00	0.30
SU45-32-9.5DI-P	45.00	32.00	9.50	10.50	32.00	5.00	0.30
SU45-32-10DI-P	45.00	32.00	10.00	11.00	32.00	5.00	0.30
SU45-35-6DI-P	45.00	35.00	6.00	7.00	35.00	5.00	0.30
SU45-35-7.2DI-P	45.00	35.00	7.20	8.00	35.00	5.00	0.30
SU45-35-8DI-P	45.00	35.00	8.00	9.00	35.00	5.00	0.30
SU45-35-10DI-P	45.00	35.00	10.00	11.00	35.00	5.00	0.30
SU45-35.5-6DI-P	45.00	35.50	6.00	7.00	35.50	5.00	0.20
SU45-38-5DI-P	45.00	38.00	5.00	5.50	38.00	5.00	0.20

* Nominal Dimensions

Fluid Power

The Hydraulic Seal Specialists



SU-DI-P

Metric **S**ingle Acting **U**-seal(**D**istributor **I**nternal) in **P**olyurethane

Part Number	*ØD1	*Ød1	H	*L1	*ØG	min	max
						C	R1
SU45-38-6.2DI-P	45.00	38.00	6.20	7.00	38.00	5.00	0.20
SU45.5-35.5-6DI-P	45.50	35.50	6.00	7.00	35.50	5.00	0.30
SU45.5-35.5-8DI-P	45.50	35.50	8.00	9.00	35.50	5.00	0.30
SU46-30-9DI-P	46.00	30.00	9.00	10.00	30.00	5.00	0.30
SU46-35-8DI-P	46.00	35.00	8.00	9.00	35.00	5.00	0.30
SU46-35-9DI-P	46.00	35.00	9.00	10.00	35.00	5.00	0.30
SU46-36-7.2DI-P	46.00	36.00	7.20	8.00	36.00	5.00	0.30
SU46-36-8DI-P	46.00	36.00	8.00	9.00	36.00	5.00	0.30
SU46-36-10DI-P	46.00	36.00	10.00	11.00	36.00	5.00	0.30
SU46-40-7DI-P	46.00	40.00	7.00	8.00	40.00	5.00	0.20
SU46.5-31.5-9DI-P	46.50	31.50	9.00	10.00	31.50	5.00	0.30
SU46.5-31.5-10DI-P	46.50	31.50	10.00	11.00	31.50	5.00	0.30
SU47-32-10DI-P	47.00	32.00	10.00	11.00	32.00	5.00	0.30
SU48-32-10DI-P	48.00	32.00	10.00	11.00	32.00	5.00	0.30
SU48-36-7DI-P	48.00	36.00	7.00	8.00	36.00	5.00	0.30
SU48-36-8DI-P	48.00	36.00	8.00	9.00	36.00	5.00	0.30
SU48-38-6DI-P	48.00	38.00	6.00	7.00	38.00	5.00	0.30
SU48-40-4DI-P	48.00	40.00	4.00	4.50	40.00	5.00	0.20
SU48-40-5DI-P	48.00	40.00	5.00	6.00	40.00	5.00	0.20
SU48-40-5.7DI-P	48.00	40.00	5.70	6.30	40.00	5.00	0.20
SU48-40-6DI-P	48.00	40.00	6.00	7.00	40.00	5.00	0.20
SU48-40-8DI-P	48.00	40.00	8.00	9.00	40.00	5.00	0.20
SU48-40-11DI-P	48.00	40.00	11.00	12.00	40.00	5.00	0.20
SU49.5-40-9.5DI-P	49.52	40.00	9.50	10.50	40.00	5.00	0.20
SU50-30-10DI-P	50.00	30.00	10.00	11.00	30.00	5.00	0.30
SU50-30-12DI-P	50.00	30.00	12.00	13.00	30.00	5.00	0.30
SU50-34-12DI-P	50.00	34.00	12.00	13.00	34.00	5.00	0.30
SU50-35-8DI-P	50.00	35.00	8.00	9.00	35.00	5.00	0.30
SU50-35-9DI-P	50.00	35.00	9.00	10.00	35.00	5.00	0.30
SU50-35-10DI-P	50.00	35.00	10.00	11.00	35.00	5.00	0.30
SU50-35-12DI-P	50.00	35.00	12.00	13.00	35.00	5.00	0.30
SU50-38-10DI-P	50.00	38.00	10.00	11.00	38.00	5.00	0.30
SU50-40-6DI-P	50.00	40.00	6.00	7.00	40.00	5.00	0.30
SU50-40-7DI-P	50.00	40.00	7.00	8.00	40.00	5.00	0.30
SU50-40-7.3DI-P	50.00	40.00	7.30	8.00	40.00	5.00	0.30
SU50-40-8DI-P	50.00	40.00	8.00	9.00	40.00	5.00	0.30
SU50-40-10DI-P	50.00	40.00	10.00	11.00	40.00	5.00	0.30
SU50-40-12.5DI-P	50.00	40.00	12.50	13.50	40.00	5.00	0.30
SU50-42-5.7DI-P	50.00	42.00	5.70	6.30	42.00	5.00	0.20
SU50.5-35.5-9DI-P	50.50	35.50	9.00	10.00	35.50	5.00	0.30

147 * Nominal Dimensions

Fluid Power

The Hydraulic Seal Specialists

SU-DI-P

Metric **S**ingle Acting **U**-seal (**D**istributor **I**nternal) in **P**olyurethane

Part Number	*ØD1	*Ød1	H	*L1	*ØG	min	max
						C	R1
SU50.5-35.5-10DI-P	50.50	35.50	10.00	11.00	35.50	5.00	0.30
SU51-35-9DI-P	51.00	35.00	9.00	10.00	35.00	5.00	0.30
SU51-35-10DI-P	51.00	35.00	10.00	11.00	35.00	5.00	0.30
SU51-36-10DI-P	51.00	36.00	10.00	11.00	36.00	5.00	0.30
SU51-36-11.5DI-P	51.00	36.00	11.50	12.50	36.00	5.00	0.30
SU51.5-35.5-12DI-P	51.50	35.50	12.00	13.00	35.50	5.00	0.30
SU52-40-8DI-P	52.00	40.00	8.00	9.00	40.00	5.00	0.30
SU52-42-7.3DI-P	52.00	42.00	7.30	8.00	42.00	5.00	0.30
SU52-42-10DI-P	52.00	42.00	10.00	11.00	42.00	5.00	0.30
SU53-45-8.2DI-P	53.00	45.00	8.20	9.00	45.00	5.00	0.30
SU53-45-10DI-P	53.00	45.00	10.00	11.00	45.00	5.00	0.30
SU53-45-12DI-P	53.00	45.00	12.00	13.00	45.00	5.00	0.30
SU55-35-12DI-P	55.00	35.00	12.00	13.00	35.00	5.00	0.30
SU55-38-10DI-P	55.00	38.00	10.00	11.00	38.00	5.00	0.30
SU55-40-9DI-P	55.00	40.00	9.00	10.00	40.00	5.00	0.30
SU55-40-10DI-P	55.00	40.00	10.00	11.00	40.00	5.00	0.30
SU55-40-11.5DI-P	55.00	40.00	11.50	12.50	40.00	5.00	0.30
SU55-45-5.7DI-P	55.00	45.00	5.70	6.30	45.00	5.00	0.30
SU55-45-6DI-P	55.00	45.00	6.00	7.00	45.00	5.00	0.30
SU55-45-7.2DI-P	55.00	45.00	7.20	8.00	45.00	5.00	0.30
SU55-45-8DI-P	55.00	45.00	8.00	9.00	45.00	5.00	0.30
SU55-45-10DI-P	55.00	45.00	10.00	11.00	45.00	5.00	0.30
SU56-40-10DI-P	56.00	40.00	10.00	11.00	40.00	5.00	0.30
SU56-40-12DI-P	56.00	40.00	12.00	13.00	40.00	5.00	0.30
SU56-45-7DI-P	56.00	45.00	7.00	8.00	45.00	5.00	0.30
SU56-46-7.2DI-P	56.00	46.00	7.20	8.00	46.00	5.00	0.30
SU56-48-12DI-P	56.00	48.00	12.00	13.00	48.00	5.00	0.20
SU57-45-9DI-P	57.00	45.00	9.00	10.00	45.00	5.00	0.20
SU57-50-10DI-P	57.00	50.00	10.00	11.00	50.00	5.00	0.20
SU57.7-45-9.5DI-P	57.70	45.00	9.50	10.50	45.00	5.00	0.30
SU58-45-8.3DI-P	58.00	45.00	8.30	9.00	45.00	5.00	0.30
SU58-45-9DI-P	58.00	45.00	9.00	10.00	45.00	5.00	0.30
SU58-50-8.2DI-P	58.00	50.00	8.20	9.00	50.00	5.00	0.20
SU60-40-12DI-P	60.00	40.00	12.00	13.00	40.00	5.00	0.30
SU60-40-13DI-P	60.00	40.00	13.00	14.00	40.00	5.00	0.30
SU60-45-9DI-P	60.00	45.00	9.00	10.00	45.00	5.00	0.30
SU60-45-10DI-P	60.00	45.00	10.00	11.00	45.00	5.00	0.30
SU60-45-11.5DI-P	60.00	45.00	11.50	12.50	45.00	5.00	0.30
SU60-45-12DI-P	60.00	45.00	12.00	13.00	45.00	5.00	0.30
SU60-50-6DI-P	60.00	50.00	6.00	7.00	50.00	5.00	0.30

* Nominal Dimensions

Fluid Power

The Hydraulic Seal Specialists



SU-DI-P

Metric **S**ingle Acting **U**-seal(**D**istributor **I**nternal) in **P**olyurethane

Part Number	*ØD1	*Ød1	H	*L1	*ØG	min	max
						C	R1
SU60-50-7.2DI-P	60.00	50.00	7.20	8.00	50.00	5.00	0.30
SU60-50-7.5DI-P	60.00	50.00	7.50	8.50	50.00	5.00	0.30
SU60-50-8DI-P	60.00	50.00	8.00	9.00	50.00	5.00	0.30
SU60-50-9DI-P	60.00	50.00	9.00	10.00	50.00	5.00	0.30
SU60-50-10DI-P	60.00	50.00	10.00	11.00	50.00	5.00	0.30
SU60-50-12DI-P	60.00	50.00	12.00	13.00	50.00	5.00	0.30
SU61-45-10DI-P	61.00	45.00	10.00	11.00	45.00	5.00	0.30
SU61-45-12DI-P	61.00	45.00	12.00	13.00	45.00	5.00	0.30
SU62-42-10DI-P	62.00	42.00	10.00	11.00	42.00	5.00	0.30
SU62-42-12DI-P	62.00	42.00	12.00	13.00	42.00	5.00	0.30
SU62-50-8DI-P	62.00	50.00	8.00	9.00	50.00	5.00	0.30
SU62-52-10DI-P	62.00	52.00	10.00	11.00	52.00	5.00	0.30
SU62.7-50-9.5DI-P	62.70	50.00	9.50	10.50	50.00	5.00	0.30
SU63-47-12DI-P	63.00	47.00	12.00	13.00	47.00	5.00	0.20
SU63-50-8DI-P	63.00	50.00	8.00	9.00	50.00	5.00	0.30
SU63-50-10DI-P	63.00	50.00	10.00	11.00	50.00	5.00	0.30
SU63-53-6DI-P	63.00	53.00	6.00	7.00	53.00	5.00	0.30
SU63-55-7.3DI-P	63.00	55.00	7.30	8.00	55.00	5.00	0.20
SU63-55-8.2DI-P	63.00	55.00	8.20	9.00	55.00	5.00	0.20
SU63-55-12DI-P	63.00	55.00	12.00	13.00	55.00	5.00	0.20
SU65-45-10DI-P	65.00	45.00	10.00	11.00	45.00	5.00	0.30
SU65-45-12DI-P	65.00	45.00	12.00	13.00	45.00	5.00	0.30
SU65-45-13.5DI-P	65.00	45.00	13.50	14.50	45.00	5.00	0.30
SU65-50-9DI-P	65.00	50.00	9.00	10.00	50.00	5.00	0.30
SU65-50-10DI-P	65.00	50.00	10.00	11.00	50.00	5.00	0.30
SU65-50-11.5DI-P	65.00	50.00	11.50	12.50	50.00	5.00	0.30
SU65-55-6DI-P	65.00	55.00	6.00	7.00	55.00	5.00	0.30
SU65-55-7.2DI-P	65.00	55.00	7.20	8.00	55.00	5.00	0.30
SU65-55-8DI-P	65.00	55.00	8.00	9.00	55.00	5.00	0.30
SU65-55-10DI-P	65.00	55.00	10.00	11.00	55.00	5.00	0.30
SU65-55-12DI-P	65.00	55.00	12.00	13.00	55.00	5.00	0.30
SU65-55-13.5DI-P	65.00	55.00	13.50	14.50	55.00	5.00	0.30
SU65.6-60-5.6DI-P	65.60	60.00	5.60	6.30	60.00	5.00	0.30
SU66-50-10DI-P	66.00	50.00	10.00	11.00	50.00	5.00	0.30
SU66-56-6DI-P	66.00	56.00	6.00	7.00	56.00	5.00	0.30
SU66-56-6.5DI-P	66.00	56.00	6.50	7.50	56.00	5.00	0.30
SU66-56-7.3DI-P	66.00	56.00	7.30	8.00	56.00	5.00	0.30
SU66-56-8.2DI-P	66.00	56.00	8.20	9.00	56.00	5.00	0.30
SU66-56-10DI-P	66.00	56.00	10.00	11.00	56.00	5.00	0.30
SU67-55-10DI-P	67.00	55.00	10.00	11.00	55.00	5.00	0.30

Fluid Power

The Hydraulic Seal Specialists

SU-DI-P

Metric **S**ingle Acting **U**-seal (**D**istributor **I**nternal) in **P**olyurethane

Part Number	*ØD1	*Ød1	H	*L1	*ØG	min	max
						C	R1
SU68-50-9DI-P	68.00	50.00	9.00	10.00	50.00	5.00	0.30
SU68-55-10DI-P	68.00	55.00	10.00	11.00	55.00	5.00	0.30
SU68-60-8DI-P	68.00	60.00	8.00	9.00	60.00	5.00	0.30
SU68-60-12.5DI-P	68.00	60.00	12.50	13.50	60.00	5.00	0.30
SU69-50-12DI-P	69.00	50.00	12.00	13.00	50.00	5.00	0.30
SU69-61-7.5DI-P	69.00	61.00	7.50	8.50	61.00	5.00	0.20
SU70-50-10DI-P	70.00	50.00	10.00	11.00	50.00	5.00	0.30
SU70-50-11.4DI-P	70.00	50.00	11.40	13.00	50.00	5.00	0.30
SU70-50-12DI-P	70.00	50.00	12.00	13.00	50.00	5.00	0.30
SU70-50-13.5DI-P	70.00	50.00	13.50	14.50	50.00	5.00	0.30
SU70-50-14DI-P	70.00	50.00	14.00	15.00	50.00	5.00	0.30
SU70-55-9DI-P	70.00	55.00	9.00	10.00	55.00	5.00	0.30
SU70-55-9.5DI-P	70.00	55.00	9.50	10.50	55.00	5.00	0.30
SU70-55-10DI-P	70.00	55.00	10.00	11.00	55.00	5.00	0.30
SU70-55-11.4DI-P	70.00	55.00	11.40	13.00	55.00	5.00	0.30
SU70-55-12DI-P	70.00	55.00	12.00	13.00	55.00	5.00	0.30
SU70-60-6DI-P	70.00	60.00	6.00	7.00	60.00	5.00	0.30
SU70-60-7.2DI-P	70.00	60.00	7.20	8.00	60.00	5.00	0.30
SU70-60-8DI-P	70.00	60.00	8.00	9.00	60.00	5.00	0.30
SU70-60-10DI-P	70.00	60.00	10.00	11.00	60.00	5.00	0.30
SU70-60-12DI-P	70.00	60.00	12.00	13.00	60.00	5.00	0.30
SU70-60-13.5DI-P	70.00	60.00	13.50	14.50	60.00	5.00	0.30
SU71-55-10DI-P	71.00	55.00	10.00	11.00	55.00	5.00	0.30
SU71-55-12DI-P	71.00	55.00	12.00	13.00	55.00	5.00	0.30
SU71-56-8.6DI-P	71.00	56.00	8.60	9.50	56.00	5.00	0.30
SU71-56-9DI-P	71.00	56.00	9.00	10.00	56.00	5.00	0.30
SU71-56-10DI-P	71.00	56.00	10.00	11.00	56.00	5.00	0.30
SU71-60-7DI-P	71.00	60.00	7.00	8.00	60.00	5.00	0.30
SU72-56-10DI-P	72.00	56.00	10.00	11.00	56.00	5.00	0.30
SU72-56-12DI-P	72.00	56.00	12.00	13.00	56.00	5.00	0.30
SU72-60-8DI-P	72.00	60.00	8.00	9.00	60.00	5.00	0.30
SU72-60-9DI-P	72.00	60.00	9.00	10.00	60.00	5.00	0.30
SU73-60-10DI-P	73.00	60.00	10.00	11.00	60.00	5.00	0.30
SU73-63-6DI-P	73.00	63.00	6.00	7.00	63.00	5.00	0.30
SU73-63-6.5DI-P	73.00	63.00	6.50	7.50	63.00	5.00	0.30
SU73-63-8DI-P	73.00	63.00	8.00	9.00	63.00	5.00	0.30
SU73-63-10DI-P	73.00	63.00	10.00	11.00	63.00	5.00	0.30
SU73-63-12DI-P	73.00	63.00	12.00	13.00	63.00	5.00	0.30
SU74-62-13DI-P	74.00	62.00	13.00	14.00	62.00	5.00	0.30
SU75-55-12DI-P	75.00	55.00	12.00	13.00	55.00	5.00	0.30

* Nominal Dimensions

Fluid Power

The Hydraulic Seal Specialists



SU-DI-P

Metric **S**ingle Acting **U**-seal(**D**istributor **I**nternal) in **P**olyurethane

Part Number	*ØD1	*Ød1	H	*L1	*ØG	min	max
						C	R1
SU75-55-13.5DI-P	75.00	55.00	13.50	14.50	55.00	5.00	0.30
SU75-60-9DI-P	75.00	60.00	9.00	10.00	60.00	5.00	0.30
SU75-60-10DI-P	75.00	60.00	10.00	11.00	60.00	5.00	0.30
SU75-60-11.4DI-P	75.00	60.00	11.40	12.50	60.00	5.00	0.30
SU75-60-12DI-P	75.00	60.00	12.00	13.00	60.00	5.00	0.30
SU75-63-8.7DI-P	75.00	63.00	8.70	9.60	63.00	5.00	0.30
SU75-63-10DI-P	75.00	63.00	10.00	11.00	63.00	5.00	0.30
SU75-65-6DI-P	75.00	65.00	6.00	7.00	65.00	5.00	0.30
SU75-65-7DI-P	75.00	65.00	7.00	8.00	65.00	5.00	0.30
SU75-65-8DI-P	75.00	65.00	8.00	9.00	65.00	5.00	0.30
SU75-65-10DI-P	75.00	65.00	10.00	11.00	65.00	5.00	0.30
SU75-65-12DI-P	75.00	65.00	12.00	13.00	65.00	5.00	0.30
SU75-65-13.5DI-P	75.00	65.00	13.50	14.50	65.00	5.00	0.30
SU76-56-12DI-P	76.00	56.00	12.00	13.00	56.00	5.00	0.30
SU76-56-13.5DI-P	76.00	56.00	13.50	14.50	56.00	5.00	0.30
SU76-56-15DI-P	76.00	56.00	15.00	16.00	56.00	5.00	0.30
SU76-60-10DI-P	76.00	60.00	10.00	11.00	60.00	5.00	0.30
SU76-60-12DI-P	76.00	60.00	12.00	13.00	60.00	5.00	0.30
SU77-60-11DI-P	77.00	60.00	11.00	12.00	60.00	5.00	0.30
SU77-65-8.7DI-P	77.00	65.00	8.70	9.60	65.00	5.00	0.30
SU77-65-9DI-P	77.00	65.00	9.00	10.00	65.00	5.00	0.30
SU77-67-6DI-P	77.00	67.00	6.00	7.00	67.00	5.00	0.30
SU78-63-9DI-P	78.00	63.00	9.00	10.00	63.00	5.00	0.30
SU78-63-10DI-P	78.00	63.00	10.00	11.00	63.00	5.00	0.30
SU78-63-11.5DI-P	78.00	63.00	11.50	12.50	63.00	5.00	0.30
SU78-63-12DI-P	78.00	63.00	12.00	13.00	63.00	5.00	0.30
SU78-65-10DI-P	78.00	65.00	10.00	11.00	65.00	5.00	0.30
SU78-65-12DI-P	78.00	65.00	12.00	13.00	65.00	5.00	0.30
SU78-70-8.2DI-P	78.00	70.00	8.20	9.00	70.00	5.00	0.30
SU78-70-12DI-P	78.00	70.00	12.00	13.00	70.00	5.00	0.30
SU79-63-10DI-P	79.00	63.00	10.00	11.00	63.00	5.00	0.30
SU79-63-12DI-P	79.00	63.00	12.00	13.00	63.00	5.00	0.30
SU80-60-12DI-P	80.00	60.00	12.00	13.00	60.00	5.00	0.30
SU80-60-13.5DI-P	80.00	60.00	13.50	14.50	60.00	5.00	0.30
SU80-64-12DI-P	80.00	64.00	12.00	13.00	64.00	5.00	0.30
SU80-65-9DI-P	80.00	65.00	9.00	10.00	65.00	5.00	0.30
SU80-65-10DI-P	80.00	65.00	10.00	11.00	65.00	5.00	0.30
SU80-65-11.4DI-P	80.00	65.00	11.40	13.00	65.00	5.00	0.30
SU80-65-12DI-P	80.00	65.00	12.00	13.00	65.00	5.00	0.30
SU80-70-6DI-P	80.00	70.00	6.00	7.00	70.00	5.00	0.30

151 * Nominal Dimensions

Fluid Power

The Hydraulic Seal Specialists

SU-DI-P

Metric **S**ingle Acting **U**-seal (**D**istributor **I**nternal) in **P**olyurethane

Part Number	*ØD1	*Ød1	H	*L1	*ØG	min	max
						C	R1
SU80-70-6.5DI-P	80.00	70.00	6.50	7.50	70.00	5.00	0.30
SU80-70-7DI-P	80.00	70.00	7.00	8.00	70.00	5.00	0.30
SU80-70-8DI-P	80.00	70.00	8.00	9.00	70.00	5.00	0.30
SU80-70-10DI-P	80.00	70.00	10.00	11.00	70.00	5.00	0.30
SU80-70-12DI-P	80.00	70.00	12.00	13.00	70.00	5.00	0.30
SU81-71-6DI-P	81.00	71.00	6.00	7.00	71.00	5.00	0.30
SU81-71-8DI-P	81.00	71.00	8.00	9.00	71.00	5.00	0.30
SU82-67-9DI-P	82.00	67.00	9.00	10.00	67.00	5.00	0.30
SU82-70-8.7DI-P	82.00	70.00	8.70	9.60	70.00	5.00	0.30
SU82.5-73-7.2DI-P	82.50	73.00	7.20	8.00	73.00	5.00	0.30
SU83-63-12DI-P	83.00	63.00	12.00	13.00	63.00	5.00	0.30
SU83-63-13.5DI-P	83.00	63.00	13.50	14.50	63.00	5.00	0.30
SU83-63-15DI-P	83.00	63.00	15.00	16.00	63.00	5.00	0.30
SU83-70-10DI-P	83.00	70.00	10.00	11.00	70.00	5.00	0.30
SU84-76-7.5DI-P	84.00	76.00	7.50	8.50	76.00	5.00	0.20
SU85-65-10DI-P	85.00	65.00	10.00	11.00	65.00	5.00	0.30
SU85-65-11.4DI-P	85.00	65.00	11.40	13.00	65.00	5.00	0.30
SU85-65-12DI-P	85.00	65.00	12.00	13.00	65.00	5.00	0.30
SU85-65-13.5DI-P	85.00	65.00	13.50	14.50	65.00	5.00	0.30
SU85-69.85-13DI-P	85.00	69.85	13.00	14.00	69.85	5.00	0.30
SU85-70-9DI-P	85.00	70.00	9.00	10.00	70.00	5.00	0.30
SU85-70-10DI-P	85.00	70.00	10.00	11.00	70.00	5.00	0.30
SU85-70-11DI-P	85.00	70.00	11.00	12.00	70.00	5.00	0.30
SU85-70-11.5DI-P	85.00	70.00	11.50	12.50	70.00	5.00	0.30
SU85-70-12DI-P	85.00	70.00	12.00	13.00	70.00	5.00	0.30
SU85-75-6DI-P	85.00	75.00	6.00	7.00	75.00	5.00	0.30
SU85-75-7DI-P	85.00	75.00	7.00	8.00	75.00	5.00	0.30
SU85-75-8DI-P	85.00	75.00	8.00	9.00	75.00	5.00	0.30
SU85-75-12DI-P	85.00	75.00	12.00	13.00	75.00	5.00	0.30
SU85-75-13.5DI-P	85.00	75.00	13.50	14.50	75.00	5.00	0.30
SU86-71-9DI-P	86.00	71.00	9.00	10.00	71.00	5.00	0.30
SU86-71-10DI-P	86.00	71.00	10.00	11.00	71.00	5.00	0.30
SU86-71-13.5DI-P	86.00	71.00	13.50	14.50	71.00	5.00	0.30
SU87-67-15DI-P	87.00	67.00	15.00	16.00	67.00	5.00	0.30
SU87-75-8.7DI-P	87.00	75.00	8.70	9.60	75.00	5.00	0.30
SU88-75-10DI-P	88.00	75.00	10.00	11.00	75.00	5.00	0.30
SU90-70-11.4DI-P	90.00	70.00	11.40	13.00	70.00	5.00	0.30
SU90-70-12DI-P	90.00	70.00	12.00	13.00	70.00	5.00	0.30
SU90-70-13.5DI-P	90.00	70.00	13.50	14.50	70.00	5.00	0.30
SU90-70-15DI-P	90.00	70.00	15.00	16.00	70.00	5.00	0.30

* Nominal Dimensions

Fluid Power

The Hydraulic Seal Specialists



SU-DI-P

Metric **S**ingle Acting **U**-seal(**D**istributor **I**nternal) in **P**olyurethane

Part Number	*ØD1	*Ød1	H	*L1	*ØG	min	max
						C	R1
SU90-75-8.5DI-P	90.00	75.00	8.50	9.20	75.00	5.00	0.30
SU90-75-9DI-P	90.00	75.00	9.00	10.00	75.00	5.00	0.30
SU90-75-10DI-P	90.00	75.00	10.00	11.00	75.00	5.00	0.30
SU90-75-12DI-P	90.00	75.00	12.00	13.00	75.00	5.00	0.30
SU90-80-6DI-P	90.00	80.00	6.00	7.00	80.00	5.00	0.30
SU90-80-7DI-P	90.00	80.00	7.00	8.00	80.00	5.00	0.30
SU90-80-8DI-P	90.00	80.00	8.00	9.00	80.00	5.00	0.30
SU90-80-10DI-P	90.00	80.00	10.00	11.00	80.00	5.00	0.30
SU90-80-10.5DI-P	90.00	80.00	10.50	11.50	80.00	5.00	0.30
SU90-80-12DI-P	90.00	80.00	12.00	13.00	80.00	5.00	0.30
SU90-80-14DI-P	90.00	80.00	14.00	15.00	80.00	5.00	0.30
SU91-71-12DI-P	91.00	71.00	12.00	13.00	71.00	5.00	0.30
SU91-71-15DI-P	91.00	71.00	15.00	16.00	71.00	5.00	0.30
SU92-77-9DI-P	92.00	77.00	9.00	10.00	77.00	5.00	0.30
SU92-80-8.7DI-P	92.00	80.00	8.70	9.60	80.00	5.00	0.30
SU93-80-9DI-P	93.00	80.00	9.00	10.00	80.00	5.00	0.30
SU93-80-10DI-P	93.00	80.00	10.00	11.00	80.00	5.00	0.30
SU94-85-14DI-P	94.00	85.00	14.00	15.00	85.00	5.00	0.30
SU95-75-12DI-P	95.00	75.00	12.00	13.00	75.00	5.00	0.30
SU95-75-13.5DI-P	95.00	75.00	13.50	14.50	75.00	5.00	0.30
SU95-75-15DI-P	95.00	75.00	15.00	16.00	75.00	5.00	0.30
SU95-80-9DI-P	95.00	80.00	9.00	10.00	80.00	5.00	0.30
SU95-80-10DI-P	95.00	80.00	10.00	11.00	80.00	5.00	0.30
SU95-80-11.5DI-P	95.00	80.00	11.50	12.50	80.00	5.00	0.30
SU95-80-12DI-P	95.00	80.00	12.00	13.00	80.00	5.00	0.30
SU95-85-7.2DI-P	95.00	85.00	7.20	8.00	85.00	5.00	0.30
SU95-85-12DI-P	95.00	85.00	12.00	13.00	85.00	5.00	0.30
SU97-85-8.7DI-P	97.00	85.00	8.70	9.60	85.00	5.00	0.30
SU99-91-7.5DI-P	99.00	91.00	7.50	8.50	91.00	5.00	0.20
SU100-80-11.4DI-P	100.00	80.00	11.40	13.00	80.00	7.00	0.30
SU100-80-12DI-P	100.00	80.00	12.00	13.00	80.00	7.00	0.30
SU100-80-13.5DI-P	100.00	80.00	13.50	15.00	80.00	7.00	0.30
SU100-80-15DI-P	100.00	80.00	15.00	16.00	80.00	7.00	0.30
SU100-85-9DI-P	100.00	85.00	9.00	10.00	85.00	7.00	0.30
SU100-85-10DI-P	100.00	85.00	10.00	11.00	85.00	7.00	0.30
SU100-85-11DI-P	100.00	85.00	11.00	12.00	85.00	7.00	0.30
SU100-85-12DI-P	100.00	85.00	12.00	13.00	85.00	7.00	0.30
SU100-90-6DI-P	100.00	90.00	6.00	7.00	90.00	7.00	0.30
SU100-90-6.5DI-P	100.00	90.00	6.50	7.50	90.00	7.00	0.30
SU100-90-11.5DI-P	100.00	90.00	11.50	12.50	90.00	7.00	0.30

153 * Nominal Dimensions

Fluid Power

The Hydraulic Seal Specialists

SU-DI-P

Metric **S**ingle Acting **U**-seal (**D**istributor **I**nternal) in **P**olyurethane



Part Number	*ØD1	*Ød1	H	*L1	*ØG	min	max
						C	R1
SU100-90-11.8DI-P	100.00	90.00	11.80	12.80	90.00	7.00	0.30
SU102-90-8.7DI-P	102.00	90.00	8.70	9.60	90.00	7.00	0.30
SU102-90-9DI-P	102.00	90.00	9.00	10.00	90.00	7.00	0.30
SU103-95-12DI-P	103.00	95.00	12.00	13.00	95.00	7.00	0.20
SU104-93-10DI-P	104.00	93.00	10.00	11.00	93.00	7.00	0.30
SU105-85-12DI-P	105.00	85.00	12.00	13.00	85.00	7.00	0.30
SU105-85-13.5DI-P	105.00	85.00	13.50	14.50	85.00	7.00	0.30
SU105-85-15DI-P	105.00	85.00	15.00	16.00	85.00	7.00	0.30
SU105-89-12.7DI-P	105.00	89.00	12.70	13.70	89.00	7.00	0.30
SU105-90-8.5DI-P	105.00	90.00	8.50	9.50	90.00	7.00	0.30
SU105-90-9DI-P	105.00	90.00	9.00	10.00	90.00	7.00	0.30
SU105-90-9.5DI-P	105.00	90.00	9.50	10.50	90.00	7.00	0.30
SU105-90-10DI-P	105.00	90.00	10.00	11.00	90.00	7.00	0.30
SU105-90-11.4DI-P	105.00	90.00	11.40	12.50	90.00	7.00	0.30
SU105-90-12DI-P	105.00	90.00	12.00	13.00	90.00	7.00	0.30
SU105-92-9.5DI-P	105.00	92.00	9.50	10.50	92.00	7.00	0.30
SU105-95-5DI-P	105.00	95.00	5.00	5.70	95.00	7.00	0.30
SU105-95-10DI-P	105.00	95.00	10.00	11.00	95.00	7.00	0.30
SU105-95-12DI-P	105.00	95.00	12.00	13.00	95.00	7.00	0.30
SU108-100-12DI-P	108.00	100.00	12.00	13.00	100.00	7.00	0.30
SU110-90-10DI-P	110.00	90.00	10.00	11.00	90.00	7.00	0.30
SU110-90-11.4DI-P	110.00	90.00	11.40	13.00	90.00	7.00	0.30
SU110-90-12DI-P	110.00	90.00	12.00	13.00	90.00	7.00	0.30
SU110-90-13DI-P	110.00	90.00	13.00	14.00	90.00	7.00	0.30
SU110-90-14.6DI-P	110.00	90.00	14.60	16.00	90.00	7.00	0.30
SU110-90-15DI-P	110.00	90.00	15.00	16.00	90.00	7.00	0.30
SU110-95-9DI-P	110.00	95.00	9.00	10.00	95.00	7.00	0.30
SU110-95-10DI-P	110.00	95.00	10.00	11.00	95.00	7.00	0.30
SU110-95-12DI-P	110.00	95.00	12.00	13.00	95.00	7.00	0.30
SU110-100-6DI-P	110.00	100.00	6.00	7.00	100.00	7.00	0.30
SU110-100-14DI-P	110.00	100.00	14.00	15.00	100.00	7.00	0.30
SU112-100-16DI-P	112.00	100.00	16.00	17.00	100.00	7.00	0.30
SU113-100-12.5DI-P	113.00	100.00	12.50	13.50	100.00	7.00	0.30
SU115-95-12DI-P	115.00	95.00	12.00	13.00	95.00	7.00	0.30
SU115-95-15DI-P	115.00	95.00	15.00	16.00	95.00	7.00	0.30
SU115-100-9DI-P	115.00	100.00	9.00	10.00	100.00	7.00	0.30
SU115-100-10DI-P	115.00	100.00	10.00	11.00	100.00	7.00	0.30
SU115-100-10.5DI-P	115.00	100.00	10.50	11.50	100.00	7.00	0.30
SU115-100-10.9DI-P	115.00	100.00	10.90	12.00	100.00	7.00	0.30
SU115-100-11.4DI-P	115.00	100.00	11.40	13.00	100.00	7.00	0.30

* Nominal Dimensions

Fluid Power

The Hydraulic Seal Specialists



SU-DI-P

Metric **S**ingle Acting **U**-seal(**D**istributor **I**nternal) in **P**olyurethane

Part Number	*ØD1	*Ød1	H	*L1	*ØG	min	max
						C	R1
SU115-100-12DI-P	115.00	100.00	12.00	13.00	100.00	7.00	0.30
SU115-105-10DI-P	115.00	105.00	10.00	11.00	105.00	7.00	0.30
SU115-105-11.5DI-P	115.00	105.00	11.50	12.50	105.00	7.00	0.30
SU115-105-13.5DI-P	115.00	105.00	13.50	14.50	105.00	7.00	0.30
SU116-106-7.3DI-P	116.00	106.00	7.30	8.00	106.00	7.00	0.30
SU120-100-10.8DI-P	120.00	100.00	10.80	12.00	100.00	7.00	0.30
SU120-100-11.4DI-P	120.00	100.00	11.40	12.50	100.00	7.00	0.30
SU120-100-12DI-P	120.00	100.00	12.00	13.00	100.00	7.00	0.30
SU120-100-13.5DI-P	120.00	100.00	13.50	14.50	100.00	7.00	0.30
SU120-100-14.5DI-P	120.00	100.00	14.50	16.00	100.00	7.00	0.30
SU120-100-15DI-P	120.00	100.00	15.00	16.00	100.00	7.00	0.30
SU120-105-9DI-P	120.00	105.00	9.00	10.00	105.00	7.00	0.30
SU120-105-10DI-P	120.00	105.00	10.00	11.00	105.00	7.00	0.30
SU120-105-12DI-P	120.00	105.00	12.00	13.00	105.00	7.00	0.30
SU120-106-8.5DI-P	120.00	106.00	8.50	9.50	106.00	7.00	0.30
SU121-106-9DI-P	121.00	106.00	9.00	10.00	106.00	7.00	0.30
SU121-106-10DI-P	121.00	106.00	10.00	11.00	106.00	7.00	0.30
SU125-100-19DI-P	125.00	100.00	19.00	20.00	100.00	7.00	0.30
SU125-105-12DI-P	125.00	105.00	12.00	13.00	105.00	7.00	0.30
SU125-105-15DI-P	125.00	105.00	15.00	16.00	105.00	7.00	0.30
SU125-105-16DI-P	125.00	105.00	16.00	17.00	105.00	7.00	0.30
SU125-110-9DI-P	125.00	110.00	9.00	10.00	110.00	7.00	0.30
SU125-110-9.6DI-P	125.00	110.00	9.60	10.60	110.00	7.00	0.30
SU125-110-10DI-P	125.00	110.00	10.00	11.00	110.00	7.00	0.30
SU125-110-11DI-P	125.00	110.00	11.00	12.00	110.00	7.00	0.30
SU125-110-12DI-P	125.00	110.00	12.00	13.00	110.00	7.00	0.30
SU125-110-15DI-P	125.00	110.00	15.00	16.00	110.00	7.00	0.30
SU125-112-9DI-P	125.00	112.00	9.00	10.00	112.00	7.00	0.30
SU125-115-12DI-P	125.00	115.00	12.00	13.00	115.00	7.00	0.30
SU126-106-15DI-P	126.00	106.00	15.00	16.00	106.00	7.00	0.30
SU126-106-16DI-P	126.00	106.00	16.00	17.00	106.00	7.00	0.30
SU127-112-9DI-P	127.00	112.00	9.00	10.00	112.00	7.00	0.30
SU127-112-10DI-P	127.00	112.00	10.00	11.00	112.00	7.00	0.30
SU130-100-16DI-P	130.00	100.00	16.00	17.00	100.00	7.00	0.30
SU130-110-10DI-P	130.00	110.00	10.00	11.00	110.00	7.00	0.30
SU130-110-12DI-P	130.00	110.00	12.00	13.00	110.00	7.00	0.30
SU130-110-13DI-P	130.00	110.00	13.00	14.00	110.00	7.00	0.30
SU130-110-14.6DI-P	130.00	110.00	14.60	16.00	110.00	7.00	0.30
SU130-110-15DI-P	130.00	110.00	15.00	16.00	110.00	7.00	0.30
SU130-110-16DI-P	130.00	110.00	16.00	17.00	110.00	7.00	0.30

155 * Nominal Dimensions

Fluid Power

The Hydraulic Seal Specialists

SU-DI-P

Metric **S**ingle Acting **U**-seal (**D**istributor **I**nternal) in **P**olyurethane

Part Number	*ØD1	*Ød1	H	*L1	*ØG	min	max
						C	R1
SU130-115-9DI-P	130.00	115.00	9.00	10.00	115.00	7.00	0.30
SU130-115-10DI-P	130.00	115.00	10.00	11.00	115.00	7.00	0.30
SU130-115-11DI-P	130.00	115.00	11.00	12.00	115.00	7.00	0.30
SU130-120-7DI-P	130.00	120.00	7.00	8.00	120.00	7.00	0.30
SU130-120-11.5DI-P	130.00	120.00	11.50	12.50	120.00	7.00	0.30
SU130-120-13.5DI-P	130.00	120.00	13.50	14.50	120.00	7.00	0.30
SU132-112-15DI-P	132.00	112.00	15.00	16.00	112.00	7.00	0.30
SU132-112-16DI-P	132.00	112.00	16.00	17.00	112.00	7.00	0.30
SU132-120-10DI-P	132.00	120.00	10.00	11.00	120.00	7.00	0.30
SU133-118-9DI-P	133.00	118.00	9.00	10.00	118.00	7.00	0.30
SU133-118-10DI-P	133.00	118.00	10.00	11.00	118.00	7.00	0.30
SU135-110-19DI-P	135.00	110.00	19.00	20.00	110.00	7.00	0.30
SU135-115-12DI-P	135.00	115.00	12.00	13.00	115.00	7.00	0.30
SU135-115-14.6DI-P	135.00	115.00	14.60	16.00	115.00	7.00	0.30
SU135-115-15DI-P	135.00	115.00	15.00	16.00	115.00	7.00	0.30
SU135-115-16DI-P	135.00	115.00	16.00	17.00	115.00	7.00	0.30
SU135-120-9DI-P	135.00	120.00	9.00	10.00	120.00	7.00	0.30
SU135-120-10DI-P	135.00	120.00	10.00	11.00	120.00	7.00	0.30
SU135-120-11.5DI-P	135.00	120.00	11.50	12.50	120.00	7.00	0.30
SU135-120-15DI-P	135.00	120.00	15.00	16.00	120.00	7.00	0.30
SU135-125-13.5DI-P	135.00	125.00	13.50	14.50	125.00	7.00	0.30
SU138-118-15DI-P	138.00	118.00	15.00	16.00	118.00	7.00	0.30
SU138-118-16DI-P	138.00	118.00	16.00	17.00	118.00	7.00	0.30
SU140-115-17.3DI-P	140.00	115.00	17.30	19.00	115.00	7.00	0.30
SU140-120-10DI-P	140.00	120.00	10.00	11.00	120.00	7.00	0.30
SU140-120-12DI-P	140.00	120.00	12.00	13.00	120.00	7.00	0.30
SU140-120-13DI-P	140.00	120.00	13.00	14.00	120.00	7.00	0.30
SU140-120-14.6DI-P	140.00	120.00	14.60	15.50	120.00	7.00	0.30
SU140-120-15DI-P	140.00	120.00	15.00	16.00	120.00	7.00	0.30
SU140-120-16DI-P	140.00	120.00	16.00	17.00	120.00	7.00	0.30
SU140-125-9DI-P	140.00	125.00	9.00	10.00	125.00	7.00	0.30
SU140-125-10DI-P	140.00	125.00	10.00	11.00	125.00	7.00	0.30
SU140-125-10.9DI-P	140.00	125.00	10.90	12.00	125.00	7.00	0.30
SU140-130-7.2DI-P	140.00	130.00	7.20	8.00	130.00	7.00	0.30
SU140-130-13.5DI-P	140.00	130.00	13.50	14.50	130.00	7.00	0.30
SU145-125-12DI-P	145.00	125.00	12.00	13.00	125.00	7.00	0.30
SU145-125-14.6DI-P	145.00	125.00	14.60	16.00	125.00	7.00	0.30
SU145-125-15DI-P	145.00	125.00	15.00	16.00	125.00	7.00	0.30
SU145-125-16DI-P	145.00	125.00	16.00	17.00	125.00	7.00	0.30
SU145-130-9DI-P	145.00	130.00	9.00	10.00	130.00	7.00	0.30

* Nominal Dimensions

Fluid Power

The Hydraulic Seal Specialists



SU-DI-P

Metric **S**ingle Acting **U**-seal(**D**istributor **I**nternal) in **P**olyurethane

Part Number	*ØD1	*Ød1	H	*L1	*ØG	min	max
						C	R1
SU145-130-10DI-P	145.00	130.00	10.00	11.00	130.00	7.00	0.30
SU145-130-12DI-P	145.00	130.00	12.00	13.00	130.00	7.00	0.30
SU145-130-14DI-P	145.00	130.00	14.00	15.00	130.00	7.00	0.30
SU145-130-15DI-P	145.00	130.00	15.00	16.00	130.00	7.00	0.30
SU145-135-12DI-P	145.00	135.00	12.00	13.00	135.00	7.00	0.30
SU150-125-14DI-P	150.00	125.00	14.00	15.00	125.00	7.00	0.30
SU150-125-19DI-P	150.00	125.00	19.00	20.00	125.00	7.00	0.30
SU150-125-20DI-P	150.00	125.00	20.00	21.00	125.00	7.00	0.30
SU150-130-12DI-P	150.00	130.00	12.00	13.00	130.00	7.00	0.30
SU150-130-15DI-P	150.00	130.00	15.00	16.00	130.00	7.00	0.30
SU150-130-16DI-P	150.00	130.00	16.00	17.00	130.00	7.00	0.30
SU150-135-9DI-P	150.00	135.00	9.00	10.00	135.00	7.00	0.30
SU150-136-8.5DI-P	150.00	136.00	8.50	9.50	136.00	7.00	0.30
SU150-140-6DI-P	150.00	140.00	6.00	6.70	140.00	7.00	0.30
SU150-140-11.5DI-P	150.00	140.00	11.50	12.50	140.00	7.00	0.30
SU155-125-18DI-P	155.00	125.00	18.00	19.00	125.00	7.00	0.30
SU155-135-15DI-P	155.00	135.00	15.00	16.00	135.00	7.00	0.30
SU155-140-9DI-P	155.00	140.00	9.00	10.00	140.00	7.00	0.30
SU155-140-9.6DI-P	155.00	140.00	9.60	10.60	140.00	7.00	0.30
SU155-140-10DI-P	155.00	140.00	10.00	11.00	140.00	7.00	0.30
SU155-140-12DI-P	155.00	140.00	12.00	13.00	140.00	7.00	0.30
SU157-132-20DI-P	157.00	132.00	20.00	21.00	132.00	7.00	0.30
SU157.7-145-9DI-P	157.70	145.00	9.00	10.00	145.00	7.00	0.30
SU160-130-17.3DI-P	160.00	130.00	17.30	19.00	130.00	7.00	0.30
SU160-135-19DI-P	160.00	135.00	19.00	20.00	135.00	7.00	0.30
SU160-135-20DI-P	160.00	135.00	20.00	21.00	135.00	7.00	0.30
SU160-140-12DI-P	160.00	140.00	12.00	13.00	140.00	7.00	0.30
SU160-140-14.6DI-P	160.00	140.00	14.60	16.00	140.00	7.00	0.30
SU160-140-15DI-P	160.00	140.00	15.00	16.00	140.00	7.00	0.30
SU160-140-16DI-P	160.00	140.00	16.00	17.00	140.00	7.00	0.30
SU160-145-9DI-P	160.00	145.00	9.00	10.00	145.00	7.00	0.30
SU160-147-12DI-P	160.00	147.00	12.00	13.00	147.00	7.00	0.30
SU160-150-13.5DI-P	160.00	150.00	13.50	14.50	150.00	7.00	0.30
SU165-140-12DI-P	165.00	140.00	12.00	13.00	140.00	7.00	0.30
SU165-140-19DI-P	165.00	140.00	19.00	20.00	140.00	7.00	0.30
SU165-140-20DI-P	165.00	140.00	20.00	21.00	140.00	7.00	0.30
SU165-145-14.5DI-P	165.00	145.00	14.50	16.00	145.00	7.00	0.30
SU165-150-9DI-P	165.00	150.00	9.00	10.00	150.00	7.00	0.30
SU165-155-12DI-P	165.00	155.00	12.00	13.00	155.00	7.00	0.30
SU169-160-13.5DI-P	169.00	160.00	13.50	14.50	160.00	7.00	0.20

157 * Nominal Dimensions

Fluid Power

The Hydraulic Seal Specialists

SU-DI-P

Metric **S**ingle Acting **U**-seal (**D**istributor **I**nternal) in **P**olyurethane



Part Number	*ØD1	*Ød1	H	*L1	*ØG	min	max
						C	R1
SU170-145-19DI-P	170.00	145.00	19.00	20.00	145.00	7.00	0.30
SU170-145-20DI-P	170.00	145.00	20.00	21.00	145.00	7.00	0.30
SU170-150-12DI-P	170.00	150.00	12.00	13.00	150.00	7.00	0.30
SU170-150-13.5DI-P	170.00	150.00	13.50	14.50	150.00	7.00	0.30
SU170-150-14.6DI-P	170.00	150.00	14.60	16.00	150.00	7.00	0.30
SU170-150-15DI-P	170.00	150.00	15.00	16.00	150.00	7.00	0.30
SU170-150-16DI-P	170.00	150.00	16.00	17.00	150.00	7.00	0.30
SU170-155-9DI-P	170.00	155.00	9.00	10.00	155.00	7.00	0.30
SU170-160-12DI-P	170.00	160.00	12.00	13.00	160.00	7.00	0.30
SU171-156-10DI-P	171.00	156.00	10.00	11.00	156.00	7.00	0.30
SU175-150-16DI-P	175.00	150.00	16.00	17.00	150.00	7.00	0.30
SU175-150-20DI-P	175.00	150.00	20.00	21.00	150.00	7.00	0.30
SU175-160-9DI-P	175.00	160.00	9.00	10.00	160.00	7.00	0.30
SU175-160-10DI-P	175.00	160.00	10.00	11.00	160.00	7.00	0.30
SU180-150-17.3DI-P	180.00	150.00	17.30	19.00	150.00	7.00	0.30
SU180-155-19DI-P	180.00	155.00	19.00	20.00	155.00	7.00	0.30
SU180-155-20DI-P	180.00	155.00	20.00	21.00	155.00	7.00	0.30
SU180-160-12DI-P	180.00	160.00	12.00	13.00	160.00	7.00	0.30
SU180-160-14.6DI-P	180.00	160.00	14.60	16.00	160.00	7.00	0.30
SU180-160-15DI-P	180.00	160.00	15.00	16.00	160.00	7.00	0.30
SU180-160-16DI-P	180.00	160.00	16.00	17.00	160.00	7.00	0.30
SU180-165-9DI-P	180.00	165.00	9.00	10.00	165.00	7.00	0.30
SU180-170-14.5DI-P	180.00	170.00	14.50	15.50	170.00	7.00	0.30
SU185-160-14.6DI-P	185.00	160.00	14.60	16.00	160.00	7.00	0.30
SU185-160-16DI-P	185.00	160.00	16.00	17.00	160.00	7.00	0.30
SU185-160-18.2DI-P	185.00	160.00	18.20	20.00	160.00	7.00	0.30
SU185-160-19DI-P	185.00	160.00	19.00	20.00	160.00	7.00	0.30
SU185-160-20DI-P	185.00	160.00	20.00	21.00	160.00	7.00	0.30
SU185-165-12DI-P	185.00	165.00	12.00	13.00	165.00	7.00	0.30
SU185-170-9DI-P	185.00	170.00	9.00	10.00	170.00	7.00	0.30
SU185-170-10DI-P	185.00	170.00	10.00	11.00	170.00	7.00	0.30
SU190-160-17.3DI-P	190.00	160.00	17.30	19.00	160.00	7.00	0.30
SU190-160-18DI-P	190.00	160.00	18.00	19.00	160.00	7.00	0.30
SU190-170-12DI-P	190.00	170.00	12.00	13.00	170.00	7.00	0.30
SU190-170-14.6DI-P	190.00	170.00	14.60	16.00	170.00	7.00	0.30
SU190-170-15DI-P	190.00	170.00	15.00	16.00	170.00	7.00	0.30
SU190-170-16DI-P	190.00	170.00	16.00	17.00	170.00	7.00	0.30
SU190-175-9DI-P	190.00	175.00	9.00	10.00	170.00	7.00	0.30
SU195-165-20DI-P	195.00	165.00	20.00	21.00	165.00	7.00	0.30
SU195-170-16DI-P	195.00	170.00	16.00	17.00	170.00	7.00	0.30

* Nominal Dimensions

Fluid Power

The Hydraulic Seal Specialists



SU-DI-P

Metric **S**ingle Acting **U**-seal(**D**istributor **I**nternal) in **P**olyurethane

Part Number	*ØD1	*Ød1	H	*L1	*ØG	min	max
						C	R1
SU195-170-20DI-P	195.00	170.00	20.00	21.00	170.00	7.00	0.30
SU195-175-16DI-P	195.00	175.00	16.00	17.00	175.00	7.00	0.30
SU195-185-12DI-P	195.00	185.00	12.00	13.00	185.00	7.00	0.30
SU200-170-18DI-P	200.00	170.00	18.00	19.00	170.00	10.00	0.30
SU200-175-12DI-P	200.00	175.00	12.00	13.00	175.00	10.00	0.30
SU200-175-15DI-P	200.00	175.00	15.00	16.00	175.00	10.00	0.30
SU200-175-19DI-P	200.00	175.00	19.00	20.00	175.00	10.00	0.30
SU200-175-20DI-P	200.00	175.00	20.00	21.00	175.00	10.00	0.30
SU200-180-12DI-P	200.00	180.00	12.00	13.00	180.00	10.00	0.30
SU200-180-14.6DI-P	200.00	180.00	14.60	16.00	180.00	10.00	0.30
SU200-180-15DI-P	200.00	180.00	15.00	16.00	180.00	10.00	0.30
SU200-180-16DI-P	200.00	180.00	16.00	17.00	180.00	10.00	0.30
SU200-180-19DI-P	200.00	180.00	19.00	20.00	180.00	10.00	0.30
SU200-192.5-14DI-P	200.00	192.50	14.00	15.00	192.50	10.00	0.20
SU205-180-14.6DI-P	205.00	180.00	14.60	16.00	180.00	10.00	0.30
SU205-180-16DI-P	205.00	180.00	16.00	17.00	180.00	10.00	0.30
SU205-180-18.2DI-P	205.00	180.00	18.20	20.00	180.00	10.00	0.30
SU205-180-19DI-P	205.00	180.00	19.00	20.00	180.00	10.00	0.30
SU205-180-20DI-P	205.00	180.00	20.00	21.00	180.00	10.00	0.30
SU207.6-198-7.3DI-P	207.60	198.00	7.30	8.00	198.00	10.00	0.30
SU210-180-17.3DI-P	210.00	180.00	17.30	19.00	190.00	10.00	0.30
SU210-190-12DI-P	210.00	190.00	12.00	13.00	190.00	10.00	0.30
SU210-190-14.6DI-P	210.00	190.00	14.60	16.00	190.00	10.00	0.30
SU210-190-15DI-P	210.00	190.00	15.00	16.00	190.00	10.00	0.30
SU210-190-16DI-P	210.00	190.00	16.00	17.00	190.00	10.00	0.30
SU215-190-16DI-P	215.00	190.00	16.00	17.00	190.00	10.00	0.30
SU215-190-20DI-P	215.00	190.00	20.00	21.00	190.00	10.00	0.30
SU215-200-11.4DI-P	215.00	200.00	11.40	12.50	200.00	10.00	0.30
SU219-199-11DI-P	219.00	199.00	11.00	12.00	199.00	10.00	0.30
SU219-199-15DI-P	219.00	199.00	15.00	16.00	199.00	10.00	0.30
SU220-200-12DI-P	220.00	200.00	12.00	13.00	200.00	10.00	0.30
SU220-200-14.6DI-P	220.00	200.00	14.60	16.00	200.00	10.00	0.30
SU220-200-15DI-P	220.00	200.00	15.00	16.00	200.00	10.00	0.30
SU220-200-16DI-P	220.00	200.00	16.00	17.00	200.00	10.00	0.30
SU224-199-16DI-P	224.00	199.00	16.00	17.00	199.00	10.00	0.30
SU224-199-19DI-P	224.00	199.00	19.00	20.00	199.00	10.00	0.30
SU224-204-12DI-P	224.00	204.00	12.00	13.00	204.00	10.00	0.30
SU225-200-14.6DI-P	225.00	200.00	14.60	16.00	200.00	10.00	0.30
SU225-200-16DI-P	225.00	200.00	16.00	17.00	200.00	10.00	0.30
SU225-200-18.2DI-P	225.00	200.00	18.20	20.00	200.00	10.00	0.30

159 * Nominal Dimensions

Fluid Power

The Hydraulic Seal Specialists

SU-DI-P

Metric **S**ingle Acting **U**-seal (**D**istributor **I**nternal) in **P**olyurethane



Part Number	*ØD1	*Ød1	H	*L1	*ØG	min	max
						C	R1
SU225-200-19DI-P	225.00	200.00	19.00	20.00	200.00	10.00	0.30
SU225-200-20DI-P	225.00	200.00	20.00	21.00	200.00	10.00	0.30
SU225-215-12DI-P	225.00	215.00	12.00	13.00	215.00	10.00	0.30
SU230-200-18DI-P	230.00	200.00	18.00	19.00	200.00	10.00	0.30
SU230-210-12DI-P	230.00	210.00	12.00	13.00	210.00	10.00	0.30
SU230-210-15DI-P	230.00	210.00	15.00	16.00	210.00	10.00	0.30
SU235-210-16DI-P	235.00	210.00	16.00	17.00	210.00	10.00	0.30
SU235-210-19DI-P	235.00	210.00	19.00	20.00	210.00	10.00	0.30
SU235-210-20DI-P	235.00	210.00	20.00	26.00	210.00	10.00	0.30
SU235-210-24.5DI-P	235.00	210.00	24.50	26.00	210.00	10.00	0.30
SU240-210-18DI-P	240.00	210.00	18.00	19.00	210.00	10.00	0.30
SU240-210-28DI-P	240.00	210.00	28.00	29.00	210.00	10.00	0.30
SU240-220-12DI-P	240.00	220.00	12.00	13.00	220.00	10.00	0.30
SU240-220-14.6DI-P	240.00	220.00	14.60	16.00	220.00	10.00	0.30
SU240-220-15DI-P	240.00	220.00	15.00	16.00	220.00	10.00	0.30
SU240-220-16DI-P	240.00	220.00	16.00	17.00	220.00	10.00	0.30
SU244-224-11DI-P	244.00	224.00	11.00	12.00	224.00	10.00	0.30
SU244-224-15DI-P	244.00	224.00	15.00	16.00	224.00	10.00	0.30
SU245-220-16DI-P	245.00	220.00	16.00	17.00	220.00	10.00	0.30
SU245-220-19DI-P	245.00	220.00	19.00	20.00	220.00	10.00	0.30
SU245-220-20DI-P	245.00	220.00	20.00	21.00	220.00	10.00	0.30
SU245-225-12DI-P	245.00	225.00	12.00	13.00	225.00	10.00	0.30
SU245-225-16DI-P	245.00	225.00	16.00	17.00	225.00	10.00	0.30
SU249-224-15DI-P	249.00	224.00	15.00	16.00	224.00	10.00	0.30
SU249-224-18DI-P	249.00	224.00	18.00	19.00	224.00	10.00	0.30
SU249-224-19DI-P	249.00	224.00	19.00	20.00	224.00	10.00	0.30
SU250-220-17.3DI-P	250.00	220.00	17.30	19.00	220.00	10.00	0.30
SU250-220-18DI-P	250.00	220.00	18.00	19.00	220.00	10.00	0.30
SU250-220-22.7DI-P	250.00	220.00	22.70	25.00	220.00	10.00	0.30
SU250-225-16DI-P	250.00	225.00	16.00	17.00	225.00	10.00	0.30
SU250-225-18DI-P	250.00	225.00	18.00	19.00	225.00	10.00	0.30
SU250-225-19DI-P	250.00	225.00	19.00	20.00	225.00	10.00	0.30
SU250-225-20DI-P	250.00	225.00	20.00	21.00	225.00	10.00	0.30
SU250-230-12DI-P	250.00	230.00	12.00	13.00	230.00	10.00	0.30
SU250-230-16DI-P	250.00	230.00	16.00	17.00	230.00	10.00	0.30
SU250-240-12DI-P	250.00	240.00	12.00	13.00	240.00	10.00	0.30
SU255-230-16DI-P	255.00	230.00	16.00	17.00	230.00	10.00	0.30
SU255-230-19DI-P	255.00	230.00	19.00	20.00	230.00	10.00	0.30
SU255-230-20DI-P	255.00	230.00	20.00	21.00	230.00	10.00	0.30
SU260-230-23.65DI-P	260.00	230.00	23.65	25.00	230.00	10.00	0.30

* Nominal Dimensions

Fluid Power

The Hydraulic Seal Specialists



SU-DI-P

Metric **S**ingle Acting **U**-seal(**D**istributor **I**nternal) in **P**olyurethane

Part Number	*ØD1	*Ød1	H	*L1	*ØG	min	max
						C	R1
SU260-240-12DI-P	260.00	240.00	12.00	13.00	240.00	10.00	0.30
SU260-240-15DI-P	260.00	240.00	15.00	16.00	240.00	10.00	0.30
SU260-240-16DI-P	260.00	240.00	16.00	17.00	240.00	10.00	0.30
SU265-240-16DI-P	265.00	240.00	16.00	17.00	240.00	10.00	0.30
SU265-240-19DI-P	265.00	240.00	19.00	20.00	240.00	10.00	0.30
SU265-240-20DI-P	265.00	240.00	20.00	21.00	240.00	10.00	0.30
SU270-240-18DI-P	270.00	240.00	18.00	19.00	240.00	10.00	0.30
SU270-250-12DI-P	270.00	250.00	12.00	13.00	250.00	10.00	0.30
SU270-250-14.6DI-P	270.00	250.00	14.60	16.00	250.00	10.00	0.30
SU270-250-15DI-P	270.00	250.00	15.00	16.00	250.00	10.00	0.30
SU270-250-16DI-P	270.00	250.00	16.00	17.00	250.00	10.00	0.30
SU275-250-16DI-P	275.00	250.00	16.00	17.00	250.00	10.00	0.30
SU275-250-19DI-P	275.00	250.00	19.00	20.00	250.00	10.00	0.30
SU275-250-20DI-P	275.00	250.00	20.00	21.00	250.00	10.00	0.30
SU280-250-17.3DI-P	280.00	250.00	17.30	19.00	250.00	10.00	0.30
SU280-250-18DI-P	280.00	250.00	18.00	19.00	250.00	10.00	0.30
SU280-250-22DI-P	280.00	250.00	22.00	23.00	250.00	10.00	0.30
SU280-250-22.7DI-P	280.00	250.00	22.70	25.00	250.00	10.00	0.30
SU280-260-14.6DI-P	280.00	260.00	14.60	16.00	260.00	10.00	0.30
SU285-260-12DI-P	285.00	260.00	12.00	13.00	260.00	10.00	0.30
SU285-260-19DI-P	285.00	260.00	19.00	20.00	260.00	10.00	0.30
SU290-245-25DI-P	290.00	245.00	25.00	26.00	245.00	10.00	0.30
SU290-260-16DI-P	290.00	260.00	16.00	17.00	260.00	10.00	0.30
SU290-260-19DI-P	290.00	260.00	19.00	20.00	260.00	10.00	0.30
SU295-270-12DI-P	295.00	270.00	12.00	13.00	270.00	10.00	0.30
SU295-270-19DI-P	295.00	270.00	19.00	20.00	270.00	10.00	0.30
SU297-265-24DI-P	297.00	265.00	24.00	25.00	265.00	10.00	0.30
SU297-265-25DI-P	297.00	265.00	25.00	26.00	265.00	10.00	0.30
SU300-270-18DI-P	300.00	270.00	18.00	19.00	270.00	10.00	0.30
SU300-270-19DI-P	300.00	270.00	19.00	20.00	270.00	10.00	0.30
SU300-270-24DI-P	300.00	270.00	24.00	25.00	270.00	10.00	0.30
SU300-270-25DI-P	300.00	270.00	25.00	26.00	270.00	10.00	0.30
SU305-280-15DI-P	305.00	280.00	15.00	16.00	280.00	10.00	0.30
SU305-280-16DI-P	305.00	280.00	16.00	17.00	280.00	10.00	0.30
SU305-280-19DI-P	305.00	280.00	19.00	20.00	280.00	10.00	0.30
SU310-280-17.3DI-P	310.00	280.00	17.30	19.00	280.00	10.00	0.30
SU310-280-19DI-P	310.00	280.00	19.00	20.00	280.00	10.00	0.30
SU310-280-22.7DI-P	310.00	280.00	22.70	25.00	280.00	10.00	0.30
SU310-280-24DI-P	310.00	280.00	24.00	25.00	280.00	10.00	0.30
SU312-280-24DI-P	312.00	280.00	24.00	25.00	280.00	10.00	0.30

Fluid Power

The Hydraulic Seal Specialists

SU-DI-P

Metric **S**ingle Acting **U**-seal (**D**istributor **I**nternal) in **P**olyurethane



Part Number	*ØD1	*Ød1	H	*L1	*ØG	min	max
						C	R1
SU312-280-25DI-P	312.00	280.00	25.00	26.00	280.00	10.00	0.30
SU315-290-16DI-P	315.00	290.00	16.00	17.00	290.00	10.00	0.30
SU315-290-19DI-P	315.00	290.00	19.00	20.00	290.00	10.00	0.30
SU320-290-19DI-P	320.00	290.00	19.00	20.00	290.00	10.00	0.30
SU325-300-16DI-P	325.00	300.00	16.00	17.00	300.00	10.00	0.30
SU325-300-19DI-P	325.00	300.00	19.00	20.00	300.00	10.00	0.30
SU330-300-17.3DI-P	330.00	300.00	17.30	19.00	300.00	10.00	0.30
SU330-300-19DI-P	330.00	300.00	19.00	20.00	300.00	10.00	0.30
SU330-300-20DI-P	330.00	300.00	20.00	21.00	300.00	10.00	0.30
SU332-300-24DI-P	332.00	300.00	24.00	25.00	300.00	10.00	0.30
SU332-300-25DI-P	332.00	300.00	25.00	26.00	300.00	10.00	0.30
SU350-320-17.3DI-P	350.00	320.00	17.30	19.00	320.00	10.00	0.30
SU350-320-20DI-P	350.00	320.00	20.00	21.00	320.00	10.00	0.30
SU360-320-28DI-P	360.00	320.00	28.00	29.00	320.00	10.00	0.30
SU385-355-22DI-P	385.00	355.00	22.00	23.00	355.00	10.00	0.30
SU390-360-20DI-P	390.00	360.00	20.00	23.00	360.00	10.00	0.30
SU400-360-28DI-P	400.00	360.00	28.00	29.00	360.00	10.00	0.30
SU400-370-22.8DI-P	400.00	370.00	22.80	25.00	370.00	10.00	0.30
SU430-400-20DI-P	430.00	400.00	20.00	21.00	400.00	10.00	0.30
SU440-400-28DI-P	440.00	400.00	28.00	29.00	400.00	10.00	0.30

* Nominal Dimensions

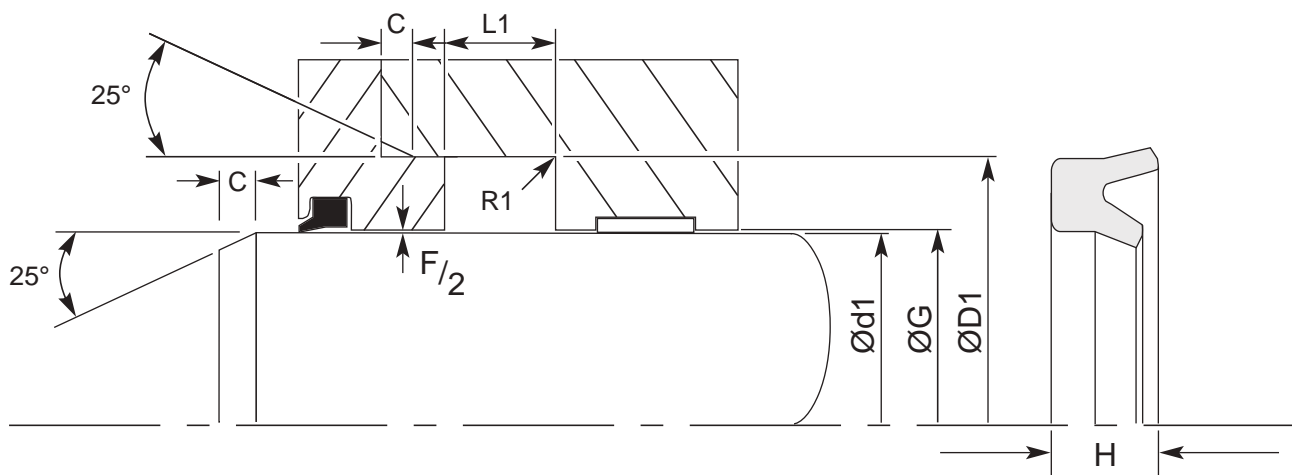
Fluid Power

The Hydraulic Seal Specialists



SU-DI-P

Imperial **S**ingle Acting **U**-seal (**D**istributor **I**nternal) in **P**olyurethane



Maximum Diametrical Clearance F

Pressure	Bar	100	200	300	400
Maximum Gap	Inch	0.029	0.024	0.019	0.016

Tolerances

ØD1	Ød1	L1	ØG
H10	f7	+0.004/-0.000	H9

Operating Conditions

Max Speed	Temp Range
m/s	-30° to 100°C
0.50	250 Bar
0.15	400 Bar

SU-DI-P is an asymmetrical seal specifically designed for rod applications. They are manufactured in a high performance Polyurethane which has a high abrasion resistance, a low compression set and a high resistance to extrusion. The Polyurethane properties and seal design give efficient fluid sealing, reduced friction values and low wear rate. The sealing effect of the SU-DI-P is obtained due to the lip pre-compression when installed and the pressure effect on the lips.

Fluid Power

The Hydraulic Seal Specialists

SU-DI-P

Imperial **S**ingle Acting **U**-seal (**D**istributor **I**nternal) in **P**olyurethane



Part Number	*ØD1	*Ød1	H	*L1	*ØG	min	max
						C	R1
SU075050-025DI-P	0.750	0.500	0.250	0.281	0.500	0.156	0.008
SU087062-012DI-P	0.875	0.625	0.125	0.156	0.625	0.156	0.008
SU087062-018DI-P	0.875	0.625	0.187	0.218	0.625	0.156	0.008
SU100060-025DI-P	1.000	0.605	0.250	0.275	0.605	0.156	0.008
SU100075-012DI-P	1.000	0.750	0.125	0.156	0.750	0.156	0.008
SU100075-025DI-P	1.000	0.750	0.250	0.281	0.750	0.156	0.008
SU112087-012DI-P	1.125	0.875	0.125	0.156	0.875	0.156	0.008
SU112087-018DI-P	1.125	0.875	0.187	0.218	0.875	0.156	0.008
SU125087-018DI-P	1.250	0.875	0.187	0.205	0.875	0.156	0.008
SU125087-025DI-P	1.250	0.875	0.250	0.281	0.875	0.156	0.008
SU125100-012DI-P	1.250	1.000	0.125	0.156	1.000	0.156	0.008
SU125100-018DI-P	1.250	1.000	0.187	0.205	1.000	0.156	0.008
SU125100-025DI-P	1.250	1.000	0.250	0.281	1.000	0.156	0.008
SU143093-037DI-P	1.437	0.937	0.375	0.406	0.937	0.156	0.016
SU150100-025DI-P	1.500	1.000	0.250	0.281	1.000	0.156	0.016
SU150112-037DI-P	1.500	1.125	0.375	0.406	1.125	0.156	0.008
SU150125-025DI-P	1.500	1.250	0.250	0.281	1.250	0.156	0.008
SU162112-025DI-P	1.625	1.125	0.250	0.281	1.125	0.156	0.016
SU175112-018DI-P	1.750	1.125	0.187	0.218	1.125	0.156	0.016
SU175125-025DI-P	1.750	1.250	0.250	0.281	1.250	0.156	0.016
SU175125-031DI-P	1.750	1.250	0.312	0.343	1.250	0.156	0.016
SU187137-031DI-P	1.875	1.375	0.312	0.343	1.375	0.156	0.016
SU187137-039DI-P	1.875	1.375	0.389	0.433	1.375	0.156	0.016
SU200137-037DI-P	2.000	1.375	0.375	0.406	1.375	0.156	0.016
SU200150-031DI-P	2.000	1.500	0.312	0.343	1.500	0.156	0.016
SU200162-031DI-P	2.000	1.625	0.312	0.343	1.625	0.156	0.016
SU212162-031DI-P	2.125	1.625	0.312	0.343	1.625	0.156	0.016
SU212175-025DI-P	2.125	1.750	0.250	0.281	1.750	0.156	0.008
SU212175-037DI-P	2.125	1.750	0.375	0.406	1.750	0.156	0.008
SU225175-037DI-P	2.250	1.750	0.375	0.413	1.750	0.156	0.016
SU225175-050DI-P	2.250	1.750	0.500	0.550	1.750	0.156	0.016
SU225187-031DI-P	2.250	1.875	0.312	0.343	1.875	0.156	0.008
SU237187-037DI-P	2.375	1.875	0.375	0.406	1.875	0.200	0.016
SU237200-025DI-P	2.375	2.000	0.250	0.281	2.000	0.200	0.008
SU237200-037DI-P	2.375	2.000	0.375	0.413	2.000	0.200	0.008
SU250200-025DI-P	2.500	2.000	0.250	0.281	2.000	0.200	0.016
SU250200-031DI-P	2.500	2.000	0.312	0.343	2.000	0.200	0.016
SU250200-037DI-P	2.500	2.000	0.375	0.406	2.000	0.200	0.016
SU262200-031DI-P	2.625	2.000	0.312	0.343	2.000	0.200	0.016
SU262200-037DI-P	2.625	2.000	0.375	0.406	2.000	0.200	0.016

* Nominal Dimensions

Fluid **Power**

The Hydraulic Seal Specialists

**SU-DI-P**Imperial **S**ingle Acting **U**-seal(**D**istributor **I**nternal) in **P**olyurethane

Part Number	*ØD1	*Ød1	H	*L1	*ØG	min	max
						C	R1
SU262200-050DI-P	2.625	2.000	0.500	0.531	2.000	0.200	0.016
SU262212-037DI-P	2.625	2.125	0.375	0.406	2.125	0.200	0.016
SU262225-031DI-P	2.625	2.250	0.312	0.343	2.250	0.200	0.008
SU275200-050DI-P	2.750	2.000	0.500	0.531	2.000	0.200	0.032
SU275225-037DI-P	2.750	2.250	0.375	0.406	2.250	0.200	0.016
SU287225-037DI-P	2.875	2.250	0.375	0.406	2.250	0.200	0.032
SU287225-050DI-P	2.875	2.250	0.500	0.531	2.250	0.200	0.032
SU287237-037DI-P	2.875	2.375	0.375	0.406	2.375	0.200	0.032
SU287250-031DI-P	2.875	2.500	0.312	0.343	2.500	0.200	0.008
SU300237-037DI-P	3.000	2.375	0.375	0.406	2.375	0.200	0.032
SU300237-050DI-P	3.000	2.375	0.500	0.531	2.375	0.200	0.032
SU300250-025DI-P	3.000	2.500	0.250	0.281	2.500	0.200	0.016
SU300250-031DI-P	3.000	2.500	0.312	0.343	2.500	0.200	0.016
SU300250-037DI-P	3.000	2.500	0.375	0.406	2.500	0.200	0.016
SU312262-037DI-P	3.125	2.625	0.375	0.406	2.625	0.200	0.016
SU325262-062DI-P	3.250	2.625	0.625	0.688	2.625	0.200	0.032
SU325275-037DI-P	3.250	2.750	0.375	0.406	2.750	0.200	0.016
SU337275-037DI-P	3.375	2.750	0.375	0.406	2.750	0.200	0.032
SU350300-025DI-P	3.500	3.000	0.250	0.281	3.000	0.200	0.016
SU350300-037DI-P	3.500	3.000	0.375	0.406	3.000	0.200	0.016
SU362300-037DI-P	3.625	3.000	0.375	0.406	3.000	0.200	0.032
SU375300-037DI-P	3.750	3.000	0.375	0.406	3.000	0.200	0.032
SU375300-062DI-P	3.750	3.000	0.625	0.656	3.000	0.200	0.032
SU375325-037DI-P	3.750	3.250	0.375	0.406	3.250	0.200	0.016
SU381331-037DI-P	3.812	3.312	0.375	0.406	3.312	0.200	0.016
SU387312-062DI-P	3.875	3.125	0.625	0.656	3.125	0.200	0.032
SU387337-037DI-P	3.875	3.375	0.375	0.406	3.375	0.250	0.016
SU400337-050DI-P	4.000	3.375	0.500	0.531	3.375	0.250	0.032
SU400350-037DI-P	4.000	3.500	0.375	0.406	3.500	0.250	0.016
SU425350-037DI-P	4.250	3.500	0.375	0.406	3.500	0.250	0.032
SU425350-050DI-P	4.250	3.500	0.500	0.531	3.500	0.250	0.032
SU425350-066DI-P	4.250	3.500	0.660	0.690	3.500	0.250	0.032
SU425375-037DI-P	4.250	3.750	0.375	0.406	3.750	0.250	0.016
SU425375-058DI-P	4.250	3.750	0.580	0.620	3.750	0.250	0.016
SU437362-037DI-P	4.375	3.625	0.375	0.406	3.625	0.250	0.032
SU437375-050DI-P	4.375	3.750	0.500	0.531	3.750	0.250	0.032
SU437375-062DI-P	4.375	3.750	0.625	0.688	3.750	0.250	0.032
SU450400-025DI-P	4.500	4.000	0.250	0.281	4.000	0.250	0.016
SU450400-056DI-P	4.500	4.000	0.563	0.593	4.000	0.250	0.016
SU462400-037DI-P	4.625	4.000	0.375	0.406	4.000	0.250	0.032

165 * Nominal Dimensions

Fluid **Power**

The Hydraulic Seal Specialists

SU-DI-PImperial **S**ingle Acting **U**-seal (**D**istributor **I**nternal) in **P**olyurethane

Part Number	*ØD1	*Ød1	H	*L1	*ØG	min	max
						C	R1
SU462400-050DI-P	4.625	4.000	0.500	0.531	4.000	0.250	0.032
SU475387-075DI-P	4.750	3.875	0.750	0.825	3.875	0.250	0.032
SU475400-037DI-P	4.750	4.000	0.375	0.406	4.000	0.250	0.032
SU475400-050DI-P	4.750	4.000	0.500	0.531	4.000	0.250	0.032
SU475400-062DI-P	4.750	4.000	0.625	0.656	4.000	0.250	0.032
SU500425-062DI-P	5.000	4.250	0.625	0.656	4.250	0.250	0.032
SU500450-056DI-P	5.000	4.500	0.563	0.593	4.500	0.250	0.016
SU512437-050DI-P	5.125	4.375	0.500	0.531	4.375	0.250	0.032
SU512450-037DI-P	5.125	4.500	0.375	0.406	4.500	0.250	0.032
SU525450-050DI-P	5.250	4.500	0.500	0.531	4.500	0.250	0.032
SU525462-062DI-P	5.250	4.625	0.625	0.656	4.625	0.250	0.032
SU537450-048DI-P	5.375	4.500	0.488	0.519	4.500	0.250	0.032
SU550475-037DI-P	5.500	4.750	0.375	0.406	4.750	0.250	0.032
SU550475-062DI-P	5.500	4.750	0.625	0.656	4.750	0.250	0.032
SU550500-056DI-P	5.500	5.000	0.563	0.593	5.000	0.250	0.016
SU562475-075DI-P	5.625	4.750	0.750	0.825	4.750	0.250	0.032
SU562487-050DI-P	5.625	4.875	0.500	0.531	4.875	0.250	0.032
SU562500-037DI-P	5.625	5.000	0.375	0.406	5.000	0.250	0.032
SU575500-062DI-P	5.750	5.000	0.625	0.656	5.000	0.250	0.032
SU575525-058DI-P	5.750	5.250	0.580	0.620	5.250	0.250	0.016
SU600500-075DI-P	6.000	5.000	0.750	0.781	5.000	0.250	0.032
SU600525-062DI-P	6.000	5.250	0.625	0.656	5.250	0.250	0.032
SU612550-037DI-P	6.125	5.500	0.375	0.406	5.500	0.250	0.032
SU637575-062DI-P	6.375	5.750	0.625	0.688	5.750	0.250	0.032
SU650575-062DI-P	6.500	5.750	0.625	0.656	5.750	0.250	0.032
SU675600-050DI-P	6.750	6.000	0.500	0.531	6.000	0.250	0.032
SU675600-062DI-P	6.750	6.000	0.625	0.656	6.000	0.250	0.032
SU725650-050DI-P	7.250	6.500	0.500	0.531	6.500	0.250	0.032
SU725650-062DI-P	7.250	6.500	0.625	0.656	6.500	0.250	0.032
SU725675-058DI-P	7.250	6.750	0.580	0.620	6.750	0.250	0.016
SU737675-062DI-P	7.375	6.750	0.625	0.688	6.750	0.250	0.032
SU750650-075DI-P	7.500	6.500	0.755	0.785	6.500	0.250	0.032
SU775700-062DI-P	7.750	7.000	0.625	0.656	7.000	0.250	0.032
SU800700-068DI-P	8.000	7.000	0.685	0.747	6.500	0.375	0.032
SU800700-075DI-P	8.000	7.000	0.755	0.785	6.500	0.375	0.032
SU862812-059DI-P	8.625	8.125	0.594	0.625	8.125	0.375	0.016
SU950800-062DI-P	9.500	8.000	0.625	0.656	8.000	0.375	0.032
SU1000900-062DI-P	10.000	9.000	0.625	0.656	9.000	0.375	0.032
SU1000900-075DI-P	10.000	9.000	0.750	0.781	9.000	0.375	0.032
SU1025975-059DI-P	10.250	9.750	0.594	0.625	9.750	0.375	0.016

* Nominal Dimensions

Fluid Power

The Hydraulic Seal Specialists



SU-DI-P

Imperial **S**ingle Acting **U**-seal(**D**istributor **I**nternal) in **P**olyurethane

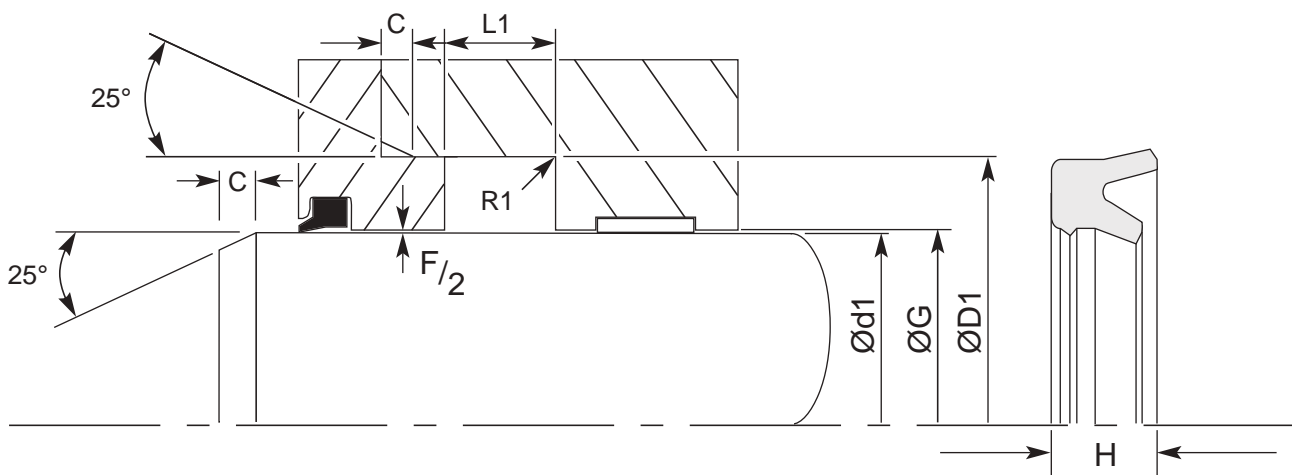
Part Number	*ØD1	*Ød1	H	*L1	*ØG	min	max
						C	R1
SU1050950-075DI-P	10.500	9.500	0.750	0.781	9.500	0.375	0.032
SU11001000-062DI-P	11.000	10.000	0.625	0.656	10.000	0.375	0.032
SU11001000-075DI-P	11.000	10.000	0.750	0.781	10.000	0.375	0.032
SU13001200-062DI-P	13.000	12.000	0.625	0.656	12.000	0.375	0.032
SU13001200-075DI-P	13.000	12.000	0.750	0.781	12.000	0.375	0.032
SU14754350-100DI-P	14.750	13.500	1.000	1.031	13.500	0.375	0.032

Fluid Power

The Hydraulic Seal Specialists

SU-DI-L-P

Metric **S**ingle Acting **U**-seal (**D**istributor **I**nternal) with Secondary **L**ip in **P**olyurethane



Maximum Diametrical Clearance F					
Pressure	Bar	100	200	300	400
Maximum Gap	mm	0.75	0.60	0.48	0.40

Tolerances			
ØD1	Ød1	L1	ØG
H10	f7	+0.25/-0.00	H9

Operating Conditions	
Max Speed	Temp Range
m/s	-30° to 100°C
0.50	250 Bar
0.15	400 Bar

SU-DI-L-P is an asymmetrical seal specifically designed for rod applications. Manufactured in a high performance Polyurethane for excellent abrasion and extrusion resistance. Features include a secondary inner lip which reduces leakage, friction and increases stability. The sealing effect of the SU-DI-L-P is obtained due to the lip pre-compression when installed and the pressure effect on the lips.

Fluid Power

The Hydraulic Seal Specialists



SU-DI-L-P

Metric **S**ingle Acting **U**-seal(**D**istributor **I**nternal)with Secondary **L**ip in **P**olyurethane

Part Number	*ØD1	*Ød1	H	*L1	*ØG	min	max
						C	R1
SU12-4-6DI-L-P	12.00	4.00	6.00	7.00	4.00	5.00	0.30
SU14-6-5.5DI-L-P	14.00	6.00	5.50	6.50	6.00	5.00	0.20
SU15-10-3.6DI-L-P	15.00	10.00	3.60	4.00	10.00	5.00	0.20
SU16-6-7DI-L-P	16.00	6.00	7.00	8.00	6.00	5.00	0.30
SU16-8-5.7DI-L-P	16.00	8.00	5.70	6.30	8.00	5.00	0.20
SU16-9-5.7DI-L-P	16.00	9.00	5.70	6.30	9.00	5.00	0.20
SU16-10-4.5DI-L-P	16.00	10.00	4.50	5.30	10.00	5.00	0.20
SU17-10-5.7DI-L-P	17.00	10.00	5.70	6.30	10.00	5.00	0.20
SU18-8-7DI-L-P	18.00	8.00	7.00	8.00	8.00	5.00	0.30
SU18-8-8DI-L-P	18.00	8.00	8.00	9.00	8.00	5.00	0.30
SU18-10-5.7DI-L-P	18.00	10.00	5.70	6.30	10.00	5.00	0.20
SU18-12-4DI-L-P	18.00	12.00	4.00	4.50	12.00	5.00	0.20
SU18-12-5.7DI-L-P	18.00	12.00	5.70	6.30	12.00	5.00	0.20
SU18-12.7-5.5DI-L-P	18.00	12.70	5.50	6.00	12.70	5.00	0.20
SU19-12-4.5DI-L-P	19.00	12.00	4.50	5.00	12.00	5.00	0.20
SU19-12-5.1DI-L-P	19.00	12.00	5.10	5.60	12.00	5.00	0.20
SU19-12-5.7DI-L-P	19.00	12.00	5.70	6.30	12.00	5.00	0.20
SU20-10-7DI-L-P	20.00	10.00	7.00	8.00	10.00	5.00	0.30
SU20-10-8DI-L-P	20.00	10.00	8.00	9.00	10.00	5.00	0.30
SU20-12-5.7DI-L-P	20.00	12.00	5.70	6.30	12.00	5.00	0.20
SU20-12-8DI-L-P	20.00	12.00	8.00	9.00	12.00	5.00	0.20
SU20-13-4.5DI-L-P	20.00	13.00	4.50	5.0	13.00	5.00	0.20
SU21-14-5.1DI-L-P	21.00	14.00	5.10	5.60	14.00	5.00	0.20
SU22-12-7DI-L-P	22.00	12.00	7.00	8.00	12.00	5.00	0.20
SU22-12-7.7DI-L-P	22.00	12.00	7.70	9.00	12.00	5.00	0.20
SU22-14-5.7DI-L-P	22.00	14.00	5.70	6.30	14.00	5.00	0.20
SU22-14-6.5DI-L-P	22.00	14.00	6.50	7.00	14.00	5.00	0.20
SU22-16-4.5DI-L-P	22.00	16.00	4.50	5.00	16.00	5.00	0.20
SU22-16-5DI-L-P	22.00	16.00	5.00	6.00	16.00	5.00	0.20
SU22.5-17.5-4DI-L-P	22.50	17.50	4.00	4.80	17.50	5.00	0.20
SU24-14-7.3DI-L-P	24.00	14.00	7.30	8.00	14.00	5.00	0.30
SU24-14-8DI-L-P	24.00	14.00	8.00	9.00	14.00	5.00	0.30
SU24-16-5.8DI-L-P	24.00	16.00	5.80	6.30	16.00	5.00	0.20
SU24-18-4.5DI-L-P	24.00	18.00	4.50	5.00	18.00	5.00	0.20
SU25-15-8DI-L-P	25.00	15.00	8.00	9.00	15.00	5.00	0.20
SU25-18-5DI-L-P	25.00	18.00	5.00	6.00	18.00	5.00	0.20
SU25-20-3.2DI-L-P	25.00	20.00	3.20	3.50	20.00	5.00	0.20
SU25.5-15.4-6.5DI-L-P	25.50	15.40	6.50	7.40	15.40	5.00	0.20
SU25.5-18-2.8DI-L-P	25.50	18.00	2.80	3.20	18.00	5.00	0.20
SU26-15-7DI-L-P	26.00	15.00	7.00	8.00	15.00	5.00	0.30

Fluid Power

The Hydraulic Seal Specialists

SU-DI-L-P

Metric **S**ingle Acting **U**-seal(**D**istributor **I**nternal)with Secondary **L**ip in **P**olyurethane



Part Number	*ØD1	*Ød1	H	*L1	*ØG	min	max
						C	R1
SU26-16-7.3DI-L-P	26.00	16.00	7.30	9.00	16.00	5.00	0.30
SU26-16-7.7DI-L-P	26.00	16.00	7.70	9.00	16.00	5.00	0.30
SU26-16-8DI-L-P	26.00	16.00	8.00	9.00	16.00	5.00	0.30
SU26-18-5DI-L-P	26.00	18.00	5.00	5.70	18.00	5.00	0.20
SU26-18-5.7DI-L-P	26.00	18.00	5.70	6.30	18.00	5.00	0.20
SU26-18-6DI-L-P	26.00	18.00	6.00	7.00	18.00	5.00	0.20
SU26-18-6.3DI-L-P	26.00	18.00	6.30	7.00	18.00	5.00	0.20
SU26-18-8DI-L-P	26.00	18.00	8.00	9.00	18.00	5.00	0.20
SU26-20-5DI-L-P	26.00	20.00	5.00	5.50	20.00	5.00	0.20
SU27-20-6.1DI-L-P	27.00	20.00	6.10	6.70	20.00	5.00	0.20
SU27.5-19.5-8DI-L-P	27.50	19.50	8.00	9.00	19.50	5.00	0.20
SU28-18-7.3DI-L-P	28.00	18.00	7.30	8.00	18.00	5.00	0.30
SU28-18-7.7DI-L-P	28.00	18.00	7.70	9.00	18.00	5.00	0.30
SU28-18-8DI-L-P	28.00	18.00	8.00	9.00	18.00	5.00	0.30
SU28-20-5DI-L-P	28.00	20.00	5.00	5.70	20.00	5.00	0.20
SU28-20-5.7DI-L-P	28.00	20.00	5.70	6.30	20.00	5.00	0.20
SU28-20-6DI-L-P	28.00	20.00	6.00	7.00	20.00	5.00	0.20
SU30-20-6DI-L-P	30.00	20.00	6.00	7.00	20.00	5.00	0.30
SU30-20-7.3DI-L-P	30.00	20.00	7.30	8.00	20.00	5.00	0.30
SU30-20-7.7DI-L-P	30.00	20.00	7.70	9.00	20.00	5.00	0.30
SU30-20-8DI-L-P	30.00	20.00	8.00	9.00	20.00	5.00	0.30
SU30-20-10DI-L-P	30.00	20.00	10.00	11.00	20.00	5.00	0.30
SU30-22-5.7DI-L-P	30.00	22.00	5.70	6.30	22.00	5.00	0.20
SU30-22-6DI-L-P	30.00	22.00	6.00	7.00	22.00	5.00	0.20
SU30-22-7.3DI-L-P	30.00	22.00	7.30	8.00	22.00	5.00	0.20
SU30-22.4-5DI-L-P	30.00	22.40	5.00	5.70	22.40	5.00	0.20
SU30-22.4-8DI-L-P	30.00	22.40	8.00	9.00	22.40	5.00	0.20
SU31-20-3.9DI-L-P	31.00	20.00	3.90	4.20	20.00	5.00	0.30
SU32-22-7.3DI-L-P	32.00	22.00	7.30	8.00	22.00	5.00	0.30
SU32-22-8DI-L-P	32.00	22.00	8.00	9.00	22.00	5.00	0.30
SU32-22-10DI-L-P	32.00	22.00	10.00	11.00	22.00	5.00	0.30
SU32.5-25-3.2DI-L-P	32.50	25.00	3.20	3.50	25.00	5.00	0.30
SU33-22-3.9DI-L-P	33.00	22.00	3.90	4.20	22.00	5.00	0.30
SU33-25-5DI-L-P	33.00	25.00	5.00	5.70	25.00	5.00	0.20
SU33-25-5.7DI-L-P	33.00	25.00	5.70	6.30	25.00	5.00	0.20
SU33-25-6DI-L-P	33.00	25.00	6.00	7.00	25.00	5.00	0.20
SU33-25-6.5DI-L-P	33.00	25.00	6.50	7.50	25.00	5.00	0.20
SU33-25-6.8DI-L-P	33.00	25.00	6.80	7.50	25.00	5.00	0.20
SU33-25-7.3DI-L-P	33.00	25.00	7.30	8.00	25.00	5.00	0.20
SU33-25-10DI-L-P	33.00	25.00	10.00	11.00	25.00	5.00	0.20

* Nominal Dimensions

Fluid **Power**

The Hydraulic Seal Specialists

**SU-DI-L-P**Metric **S**ingle Acting **U**-seal(**D**istributor **I**nternal)with Secondary **L**ip in **P**olyurethane

Part Number	*ØD1	*Ød1	H	*L1	*ØG	min	max
						C	R1
SU35-20-10DI-L-P	35.00	20.00	10.00	11.00	20.00	5.00	0.30
SU35-22-10DI-L-P	35.00	22.00	10.00	11.00	22.00	5.00	0.30
SU35-25-7.3DI-L-P	35.00	25.00	7.30	8.00	25.00	5.00	0.30
SU35-25-7.7DI-L-P	35.00	25.00	7.70	9.00	25.00	5.00	0.30
SU35-25-8DI-L-P	35.00	25.00	8.00	9.00	25.00	5.00	0.30
SU35-25-10DI-L-P	35.00	25.00	10.00	11.00	25.00	5.00	0.30
SU35.5-28-5DI-L-P	35.50	28.00	5.00	5.70	28.00	5.00	0.20
SU36-25-3.9DI-L-P	36.00	25.00	3.90	4.20	25.00	5.00	0.30
SU36-26-7DI-L-P	36.00	26.00	7.00	8.00	26.00	5.00	0.30
SU36-26-10DI-L-P	36.00	26.00	10.00	11.00	26.00	5.00	0.30
SU36-28-5.7DI-L-P	36.00	28.00	5.70	6.30	28.00	5.00	0.30
SU36-28-7DI-L-P	36.00	28.00	7.00	7.50	28.00	5.00	0.30
SU36-28-7.3DI-L-P	36.00	28.00	7.30	8.00	28.00	5.00	0.30
SU37-25-10DI-L-P	37.00	25.00	10.00	11.00	25.00	5.00	0.30
SU38-28-7.3DI-L-P	38.00	28.00	7.30	8.00	28.00	5.00	0.30
SU38-28-8DI-L-P	38.00	28.00	8.00	9.00	28.00	5.00	0.30
SU38-28-10DI-L-P	38.00	28.00	10.00	11.00	28.00	5.00	0.30
SU38-30-5.7DI-L-P	38.00	30.00	5.70	6.30	30.00	5.00	0.20
SU38-30-6.3DI-L-P	38.00	30.00	6.30	7.00	30.00	5.00	0.20
SU39-28-3.9DI-L-P	39.00	28.00	3.90	4.20	28.00	5.00	0.30
SU40-25-10DI-L-P	40.00	25.00	10.00	11.00	25.00	5.00	0.30
SU40-28-8DI-L-P	40.00	28.00	8.00	9.00	28.00	5.00	0.30
SU40-30-6DI-L-P	40.00	30.00	6.00	7.00	30.00	5.00	0.30
SU40-30-7DI-L-P	40.00	30.00	7.00	7.50	30.00	5.00	0.30
SU40-30-7.3DI-L-P	40.00	30.00	7.30	8.00	30.00	5.00	0.30
SU40-30-10DI-L-P	40.00	30.00	10.00	11.00	30.00	5.00	0.30
SU40-32-6DI-L-P	40.00	32.00	6.00	7.00	32.00	5.00	0.30
SU40-32-6.7DI-L-P	40.00	32.00	6.70	7.70	32.00	5.00	0.30
SU40-32-7.7DI-L-P	40.00	32.00	7.70	9.00	32.00	5.00	0.30
SU40-32-8DI-L-P	40.00	32.00	8.00	9.00	32.00	5.00	0.30
SU41-30-3.9DI-L-P	41.00	30.00	3.90	4.20	30.00	5.00	0.30
SU41.5-32-7.9DI-L-P	41.50	32.00	7.90	8.90	32.00	5.00	0.20
SU42-30-11DI-L-P	42.00	30.00	11.00	12.00	30.00	5.00	0.30
SU42-32-5.7DI-L-P	42.00	32.00	5.70	6.30	32.00	5.00	0.30
SU42-32-6DI-L-P	42.00	32.00	6.00	7.00	32.00	5.00	0.30
SU42-32-7.3DI-L-P	42.00	32.00	7.30	8.00	32.00	5.00	0.30
SU42-32-10DI-L-P	42.00	32.00	10.00	11.00	32.00	5.00	0.30
SU42-35-7DI-L-P	42.00	35.00	7.00	8.00	35.00	5.00	0.30
SU43-28-10DI-L-P	43.00	28.00	10.00	11.00	28.00	5.00	0.30
SU43-28-11.4DI-L-P	43.00	28.00	11.40	12.50	28.00	5.00	0.30

Fluid Power

The Hydraulic Seal Specialists

SU-DI-L-P

Metric **S**ingle Acting **U**-seal(**D**istributor **I**nternal)with Secondary **L**ip in **P**olyurethane

Part Number	*ØD1	*Ød1	H	*L1	*ØG	min	max
						C	R1
SU43-35-5.7DI-L-P	43.00	35.00	5.70	6.30	35.00	5.00	0.20
SU43-35-6.3DI-L-P	43.00	35.00	6.30	7.00	35.00	5.00	0.20
SU43-35-7.2DI-L-P	43.00	35.00	7.20	8.00	35.00	5.00	0.20
SU43-35-8.2DI-L-P	43.00	35.00	8.20	9.00	35.00	5.00	0.20
SU43-36-6DI-L-P	43.00	35.00	6.00	6.50	35.00	5.00	0.20
SU44-36-6.3DI-L-P	44.00	36.00	6.30	7.00	36.00	5.00	0.20
SU44-36-7.5DI-L-P	44.00	36.00	7.50	8.50	36.00	5.00	0.20
SU44-36-8.2DI-L-P	44.00	36.00	8.20	9.00	36.00	5.00	0.20
SU45-25-12DI-L-P	45.00	25.00	12.00	13.00	25.00	5.00	0.30
SU45-30-10DI-L-P	45.00	30.00	10.00	11.00	30.00	5.00	0.30
SU45-35-6DI-L-P	45.00	35.00	6.00	7.00	35.00	5.00	0.30
SU45-35-7DI-L-P	45.00	35.00	7.00	8.00	35.00	5.00	0.30
SU45-35-7.7DI-L-P	45.00	35.00	7.70	9.00	35.00	5.00	0.30
SU45-35-8DI-L-P	45.00	35.00	8.00	9.00	35.00	5.00	0.30
SU45-35-10DI-L-P	45.00	35.00	10.00	11.00	35.00	5.00	0.30
SU45-35.5-6DI-L-P	45.00	35.50	6.00	7.00	35.50	5.00	0.30
SU46-36-5.7DI-L-P	46.00	36.00	5.70	6.30	36.00	5.00	0.30
SU46-36-7.3DI-L-P	46.00	36.00	7.30	8.00	36.00	5.00	0.30
SU46-36-7.5DI-L-P	46.00	36.00	7.50	8.50	36.00	5.00	0.30
SU46-36-10DI-L-P	46.00	36.00	10.00	11.00	36.00	5.00	0.30
SU47-32-9.1DI-L-P	47.00	32.00	9.10	10.00	32.00	5.00	0.30
SU47-32-10DI-L-P	47.00	32.00	10.00	11.00	32.00	5.00	0.30
SU47-32-11.5DI-L-P	47.00	32.00	11.50	12.50	32.00	5.00	0.30
SU47-35-16.5DI-L-P	47.00	35.00	16.50	17.50	35.00	5.00	0.30
SU47-36-3.9DI-L-P	47.00	36.00	3.90	4.20	36.00	5.00	0.30
SU47-37-8DI-L-P	47.00	37.00	8.00	9.00	37.00	5.00	0.30
SU47-37-10DI-L-P	47.00	37.00	10.00	11.00	37.00	5.00	0.30
SU48-32-10DI-L-P	48.00	32.00	10.00	11.00	32.00	5.00	0.30
SU48-36-10DI-L-P	48.00	36.00	10.00	11.00	36.00	5.00	0.30
SU48-38-8DI-L-P	48.00	38.00	8.00	9.00	38.00	5.00	0.30
SU48-38-10DI-L-P	48.00	38.00	10.00	11.00	38.00	5.00	0.30
SU48-40-5.7DI-L-P	48.00	40.00	5.70	6.30	40.00	5.00	0.20
SU48-40-6DI-L-P	48.00	40.00	6.00	6.50	40.00	5.00	0.20
SU48-40-8.2DI-L-P	48.00	40.00	8.20	9.00	40.00	5.00	0.20
SU49.5-40-9.5DI-L-P	49.50	40.00	9.50	10.50	40.00	5.00	0.20
SU50-30-10DI-L-P	50.00	30.00	10.00	11.00	30.00	5.00	0.30
SU50-30-12DI-L-P	50.00	30.00	12.00	13.00	30.00	5.00	0.30
SU50-32-12DI-L-P	50.00	32.00	12.00	13.00	32.00	5.00	0.30
SU50-35-9DI-L-P	50.00	35.00	9.00	10.00	35.00	5.00	0.30
SU50-35-10DI-L-P	50.00	35.00	10.00	11.00	35.00	5.00	0.30

* Nominal Dimensions

Fluid Power

The Hydraulic Seal Specialists



SU-DI-L-P

Metric **S**ingle Acting **U**-seal(**D**istributor **I**nternal)with Secondary **L**ip in **P**olyurethane

Part Number	*ØD1	*Ød1	H	*L1	*ØG	min	max
						C	R1
SU50-38-10DI-L-P	50.00	38.00	10.00	11.00	38.00	5.00	0.30
SU50-40-6DI-L-P	50.00	40.00	6.00	7.00	40.00	5.00	0.30
SU50-40-7.3DI-L-P	50.00	40.00	7.30	8.00	40.00	5.00	0.30
SU50-40-8DI-L-P	50.00	40.00	8.00	9.00	40.00	5.00	0.30
SU50-40-8.2DI-L-P	50.00	40.00	8.20	9.00	40.00	5.00	0.30
SU50-40-9DI-L-P	50.00	40.00	9.00	10.00	40.00	5.00	0.30
SU50-40-10DI-L-P	50.00	40.00	10.00	11.00	40.00	5.00	0.30
SU50-42-7.5DI-L-P	50.00	42.00	7.50	8.00	42.00	5.00	0.20
SU50-42-11.5DI-L-P	50.00	42.00	11.50	12.50	42.00	5.00	0.20
SU50.5-35.5-10DI-L-P	50.50	35.50	10.00	11.00	35.50	5.00	0.30
SU51-35-10DI-L-P	51.00	36.00	10.00	11.00	35.00	5.00	0.30
SU51-36-10DI-L-P	51.00	36.00	10.00	11.00	36.00	5.00	0.30
SU51-36-11.5DI-L-P	51.00	36.00	11.50	12.50	36.00	5.00	0.30
SU52-40-8DI-L-P	52.00	40.00	8.00	9.00	40.00	5.00	0.30
SU52-40-10.9DI-L-P	52.00	40.00	10.90	12.00	40.00	5.00	0.30
SU52-42-10DI-L-P	52.00	42.00	10.00	11.00	42.00	5.00	0.30
SU53-38-10DI-L-P	53.00	38.00	10.00	11.00	38.00	5.00	0.30
SU53-42-9DI-L-P	53.00	42.00	9.00	10.00	42.00	5.00	0.20
SU53-43-7.3DI-L-P	53.00	43.00	7.30	8.00	43.00	5.00	0.30
SU53-45-5.6DI-L-P	53.00	45.00	5.60	6.30	45.00	5.00	0.20
SU53-45-7DI-L-P	53.00	45.00	7.00	8.00	45.00	5.00	0.30
SU53-45-8.1DI-L-P	53.00	45.00	8.10	9.00	45.00	5.00	0.20
SU53-45-11.5DI-L-P	53.00	45.00	11.50	12.50	45.00	5.00	0.20
SU53-45-11.8DI-L-P	53.00	45.00	11.80	13.00	45.00	5.00	0.20
SU55-38-10DI-L-P	55.00	38.00	10.00	11.00	38.00	5.00	0.30
SU55-40-7.3DI-L-P	55.00	40.00	7.30	8.00	40.00	5.00	0.30
SU55-40-9DI-L-P	55.00	40.00	9.00	10.00	40.00	5.00	0.30
SU55-40-10DI-L-P	55.00	40.00	10.00	11.00	40.00	5.00	0.30
SU55-40-11.4DI-L-P	55.00	40.00	11.40	12.50	40.00	5.00	0.30
SU55-45-5.7DI-L-P	55.00	45.00	5.70	6.30	45.00	5.00	0.30
SU55-45-6DI-L-P	55.00	45.00	6.00	7.00	45.00	5.00	0.30
SU55-45-6.5DI-L-P	55.00	45.00	6.50	7.50	45.00	5.00	0.30
SU55-45-7.2DI-L-P	55.00	45.00	7.20	8.00	45.00	5.00	0.30
SU55-45-7.3DI-L-P	55.00	45.00	7.30	8.00	45.00	5.00	0.30
SU55-45-10DI-L-P	55.00	45.00	10.00	11.00	45.00	5.00	0.30
SU55-45-11.5DI-L-P	55.00	45.00	11.50	12.50	45.00	5.00	0.30
SU56-45-3.9DI-L-P	56.00	45.00	3.90	4.20	45.00	5.00	0.30
SU56-46-10DI-L-P	56.00	46.00	10.00	11.00	46.00	5.00	0.30
SU56-48-11.5DI-L-P	56.00	48.00	11.50	12.50	48.00	5.00	0.30
SU56-48-12DI-L-P	56.00	48.00	12.00	13.00	48.00	5.00	0.30

Fluid Power

The Hydraulic Seal Specialists

SU-DI-L-P

Metric **S**ingle Acting **U**-seal(**D**istributor **I**nternal)with Secondary **L**ip in **P**olyurethane



Part Number	*ØD1	*Ød1	H	*L1	*ØG	min	max
						C	R1
SU57-50-9DI-L-P	57.00	50.00	9.00	10.00	50.00	5.00	0.20
SU57-50-10DI-L-P	57.00	50.00	10.00	11.00	50.00	5.00	0.20
SU57.7-45-9.5DI-L-P	57.70	45.00	9.50	10.50	45.00	5.00	0.30
SU58-45-9DI-L-P	58.00	45.00	9.00	9.52	45.00	5.00	0.20
SU58-50-11.5DI-L-P	58.00	50.00	11.50	12.50	50.00	5.00	0.20
SU60-40-12DI-L-P	60.00	40.00	12.00	13.00	40.00	5.00	0.30
SU60-45-10DI-L-P	60.00	45.00	10.00	11.00	45.00	5.00	0.30
SU60-45-10.5DI-L-P	60.00	45.00	10.50	11.50	45.00	5.00	0.30
SU60-45-11.5DI-L-P	60.00	45.00	11.50	12.50	45.00	5.00	0.30
SU60-48-10DI-L-P	60.00	48.00	10.00	11.00	48.00	5.00	0.30
SU60-50-6DI-L-P	60.00	50.00	6.00	7.00	50.00	5.00	0.30
SU60-50-7.3DI-L-P	60.00	50.00	7.30	8.00	50.00	5.00	0.30
SU60-50-10DI-L-P	60.00	50.00	10.00	11.00	50.00	5.00	0.30
SU60-50-11.8DI-L-P	60.00	50.00	11.80	13.00	50.00	5.00	0.30
SU62-42-12DI-L-P	62.00	42.00	12.00	13.00	42.00	5.00	0.30
SU62-50-9DI-L-P	62.00	50.00	9.00	9.50	50.00	5.00	0.30
SU62-50-10DI-L-P	62.00	50.00	10.00	11.00	50.00	5.00	0.30
SU62-52-10DI-L-P	62.00	52.00	10.00	11.00	52.00	5.00	0.30
SU62.5-55-9DI-L-P	62.50	55.00	9.00	10.00	55.00	5.00	0.30
SU62.7-50-9.5DI-L-P	62.70	50.00	9.50	10.50	50.00	5.00	0.30
SU63-55-11.5DI-L-P	63.00	55.00	11.50	12.50	55.00	5.00	0.30
SU65-45-10DI-L-P	65.00	45.00	10.00	11.00	45.00	5.00	0.30
SU65-45-12DI-L-P	65.00	45.00	12.00	13.00	45.00	5.00	0.30
SU65-50-9DI-L-P	65.00	50.00	9.00	10.00	50.00	5.00	0.30
SU65-50-9.5DI-L-P	65.00	50.00	9.50	10.50	50.00	5.00	0.30
SU65-50-10DI-L-P	65.00	50.00	10.00	11.00	50.00	5.00	0.30
SU65-50-11DI-L-P	65.00	50.00	11.00	12.00	50.00	5.00	0.30
SU65-50-11.4DI-L-P	65.00	50.00	11.40	12.50	50.00	5.00	0.30
SU65-50-14.5DI-L-P	65.00	50.00	14.50	16.00	50.00	5.00	0.30
SU65-50-15.5DI-L-P	65.00	50.00	15.50	16.50	50.00	5.00	0.30
SU65-53-9DI-L-P	65.00	53.00	9.00	10.00	53.00	5.00	0.30
SU65-55-6DI-L-P	65.00	55.00	6.00	7.00	55.00	5.00	0.30
SU65-55-7.3DI-L-P	65.00	55.00	7.30	8.00	55.00	5.00	0.30
SU65-55-8.2DI-L-P	65.00	55.00	8.20	9.00	55.00	5.00	0.30
SU65-55-8.5DI-L-P	65.00	55.00	8.50	9.50	55.00	5.00	0.30
SU65-55-10DI-L-P	65.00	55.00	10.00	11.00	55.00	5.00	0.30
SU65-55-11DI-L-P	65.00	55.00	11.00	12.00	55.00	5.00	0.30
SU65-55-11.4DI-L-P	65.00	55.00	11.40	12.50	55.00	5.00	0.30
SU65-55-11.8DI-L-P	65.00	55.00	11.80	13.00	55.00	5.00	0.30
SU65-55-12DI-L-P	65.00	55.00	12.00	13.00	55.00	5.00	0.30

* Nominal Dimensions

Fluid **Power**

The Hydraulic Seal Specialists

**SU-DI-L-P**Metric **S**ingle Acting **U**-seal(**D**istributor **I**nternal)with Secondary **L**ip in **P**olyurethane

Part Number	*ØD1	*Ød1	H	*L1	*ØG	min	max
						C	R1
SU66-56-10DI-L-P	66.00	56.00	10.00	11.00	56.00	5.00	0.30
SU67-55-10DI-L-P	67.00	55.00	10.00	11.00	55.00	5.00	0.30
SU68-48-12DI-L-P	68.00	48.00	12.00	13.00	48.00	5.00	0.30
SU68-55-10DI-L-P	68.00	55.00	10.00	11.00	55.00	5.00	0.20
SU68-58-11.5DI-L-P	68.00	58.00	11.50	12.50	58.00	5.00	0.20
SU68-60-7DI-L-P	68.00	60.00	7.00	8.00	60.00	5.00	0.20
SU68-60-11.5DI-L-P	68.00	60.00	11.50	12.50	60.00	5.00	0.20
SU68-60-13DI-L-P	68.00	60.00	13.00	14.00	60.00	5.00	0.20
SU70-50-11.4DI-L-P	70.00	50.00	11.40	12.50	50.00	5.00	0.30
SU70-50-12DI-L-P	70.00	50.00	12.00	13.00	50.00	5.00	0.30
SU70-50-14DI-L-P	70.00	50.00	14.00	15.00	50.00	5.00	0.30
SU70-55-9DI-L-P	70.00	55.00	9.00	10.00	55.00	5.00	0.30
SU70-55-10DI-L-P	70.00	55.00	10.00	11.00	55.00	5.00	0.30
SU70-55-11.4DI-L-P	70.00	55.00	11.40	12.50	55.00	5.00	0.30
SU70-55-11.8DI-L-P	70.00	55.00	11.80	13.00	55.00	5.00	0.30
SU70-55-12DI-L-P	70.00	55.00	12.00	13.00	55.00	5.00	0.30
SU70-60-6DI-L-P	70.00	60.00	6.00	7.00	60.00	5.00	0.30
SU70-60-7.3DI-L-P	70.00	60.00	7.30	8.00	60.00	5.00	0.30
SU70-60-7.5DI-L-P	70.00	60.00	7.50	8.50	60.00	5.00	0.30
SU70-60-10DI-L-P	70.00	60.00	10.00	11.00	60.00	5.00	0.30
SU70-60-11.5DI-L-P	70.00	60.00	11.50	12.50	60.00	5.00	0.30
SU70-60-11.8DI-L-P	70.00	60.00	11.80	13.00	60.00	5.00	0.30
SU70-60-14.3DI-L-P	70.00	60.00	14.30	15.00	60.00	5.00	0.30
SU71-56-10DI-L-P	71.00	56.00	10.00	11.00	56.00	5.00	0.30
SU71-56-11DI-L-P	71.00	56.00	11.00	12.00	56.00	5.00	0.30
SU71-56-11.4DI-L-P	71.00	56.00	11.40	12.50	56.00	5.00	0.30
SU71-60-7DI-L-P	71.00	60.00	7.00	8.00	60.00	5.00	0.30
SU71-63-8DI-L-P	71.00	63.00	8.00	9.00	63.00	5.00	0.30
SU71.5-56-6DI-L-P	71.50	56.00	6.00	6.30	56.00	5.00	0.30
SU72-60-9DI-L-P	72.00	60.00	9.00	10.00	60.00	5.00	0.30
SU72-60-10DI-L-P	72.00	60.00	10.00	11.00	60.00	5.00	0.30
SU73-60-10DI-L-P	73.00	60.00	10.00	11.00	60.00	5.00	0.30
SU73-63-6DI-L-P	73.00	63.00	6.00	7.00	63.00	5.00	0.30
SU73-63-11.8DI-L-P	73.00	63.00	11.80	13.00	63.00	5.00	0.30
SU73-63-12DI-L-P	73.00	63.00	12.00	13.00	63.00	5.00	0.30
SU73-65-11.5DI-L-P	73.00	65.00	11.50	12.50	65.00	5.00	0.30
SU75-55-12DI-L-P	75.00	55.00	12.00	13.00	55.00	5.00	0.30
SU75-60-9DI-L-P	75.00	60.00	9.00	10.00	60.00	5.00	0.30
SU75-60-10DI-L-P	75.00	60.00	10.00	11.00	60.00	5.00	0.30
SU75-60-11.4DI-L-P	75.00	60.00	11.40	12.50	60.00	5.00	0.30

175 * Nominal Dimensions

Fluid Power

The Hydraulic Seal Specialists

SU-DI-L-P

Metric **S**ingle Acting **U**-seal(**D**istributor **I**nternal)with Secondary **L**ip in **P**olyurethane



Part Number	*ØD1	*Ød1	H	*L1	*ØG	min	max
						C	R1
SU75-60-11.8DI-L-P	75.00	60.00	11.80	13.00	60.00	5.00	0.30
SU75-60-12DI-L-P	75.00	60.00	12.00	13.00	60.00	5.00	0.30
SU75-60-15.5DI-L-P	75.00	60.00	15.50	16.50	60.00	5.00	0.30
SU75-60-20.5DI-L-P	75.00	60.00	20.50	22.50	60.00	5.00	0.30
SU75-63-9DI-L-P	75.00	63.00	9.00	10.00	63.00	5.00	0.30
SU75-63-10DI-L-P	75.00	63.00	10.00	11.00	63.00	5.00	0.30
SU75-65-6DI-L-P	75.00	65.00	6.00	7.00	65.00	5.00	0.30
SU75-65-7.7DI-L-P	75.00	65.00	7.70	9.00	65.00	5.00	0.30
SU75-65-10DI-L-P	75.00	65.00	10.00	11.00	65.00	5.00	0.30
SU75-65-11.4DI-L-P	75.00	65.00	11.40	12.50	65.00	5.00	0.30
SU75-65-11.8DI-L-P	75.00	65.00	11.80	13.00	65.00	5.00	0.30
SU75-65-12DI-L-P	75.00	65.00	12.00	13.00	65.00	5.00	0.30
SU75-67-11.5DI-L-P	75.00	67.00	11.50	12.50	67.00	5.00	0.30
SU76-56-12DI-L-P	76.00	56.00	12.00	13.00	56.00	5.00	0.30
SU76-56-15DI-L-P	76.00	56.00	15.00	16.00	56.00	5.00	0.30
SU77-65-9DI-L-P	77.00	65.00	9.00	10.00	65.00	5.00	0.30
SU77-67-6DI-L-P	77.00	67.00	6.00	7.00	67.00	5.00	0.30
SU77.5-70-9DI-L-P	77.50	70.00	9.00	10.00	70.00	5.00	0.30
SU77.7-65-9.5DI-L-P	77.70	65.00	9.50	10.50	65.00	5.00	0.30
SU78-63-10DI-L-P	78.00	63.00	10.00	11.00	63.00	5.00	0.30
SU78-63-11.5DI-L-P	78.00	63.00	11.50	12.50	63.00	5.00	0.30
SU78-65-10DI-L-P	78.00	65.00	10.00	11.00	65.00	5.00	0.30
SU78-68-12DI-L-P	78.00	68.00	12.00	13.00	68.00	5.00	0.30
SU78-70-11.5DI-L-P	78.00	70.00	11.50	12.50	70.00	5.00	0.30
SU79-70-13DI-L-P	79.00	70.00	13.00	14.00	70.00	5.00	0.30
SU80-60-11.4DI-L-P	80.00	60.00	11.40	12.50	60.00	5.00	0.30
SU80-60-12DI-L-P	80.00	60.00	12.00	13.00	60.00	5.00	0.30
SU80-65-9DI-L-P	80.00	65.00	9.00	10.00	65.00	5.00	0.30
SU80-65-10DI-L-P	80.00	65.00	10.00	11.00	65.00	5.00	0.30
SU80-65-11.8DI-L-P	80.00	65.00	11.80	13.00	65.00	5.00	0.30
SU80-65-12DI-L-P	80.00	65.00	12.00	13.00	65.00	5.00	0.30
SU80-66-10DI-L-P	80.00	66.00	10.00	11.00	66.00	5.00	0.30
SU80-70-6DI-L-P	80.00	70.00	6.00	7.00	70.00	5.00	0.30
SU80-70-11.5DI-L-P	80.00	70.00	11.50	12.50	70.00	5.00	0.30
SU80-70-11.8DI-L-P	80.00	70.00	11.80	13.00	70.00	5.00	0.30
SU80-70-12DI-L-P	80.00	70.00	12.00	13.00	70.00	5.00	0.30
SU80.5-65-6DI-L-P	80.50	65.00	6.00	6.30	65.00	5.00	0.30
SU82-70-8.7DI-L-P	82.00	70.00	8.70	9.60	70.00	5.00	0.30
SU82-72-10DI-L-P	82.00	72.00	10.00	11.00	72.00	5.00	0.30
SU82.4-73-7DI-L-P	82.40	73.00	7.00	8.00	73.00	5.00	0.20

* Nominal Dimensions

Fluid **Power**

The Hydraulic Seal Specialists

**SU-DI-L-P**Metric **S**ingle Acting **U**-seal(**D**istributor **I**nternal)with Secondary **L**ip in **P**olyurethane

Part Number	*ØD1	*Ød1	H	*L1	*ØG	min	max
						C	R1
SU83-63-11.4DI-L-P	83.00	63.00	11.40	12.50	63.00	5.00	0.30
SU83-63-12DI-L-P	83.00	63.00	12.00	13.00	63.00	5.00	0.30
SU83-63-13.5DI-L-P	83.00	63.00	13.50	14.50	63.00	5.00	0.30
SU83-70-10DI-L-P	83.00	70.00	10.00	11.00	70.00	5.00	0.30
SU83-75-7DI-L-P	83.00	75.00	7.00	8.00	75.00	5.00	0.30
SU83-75-11.5DI-L-P	83.00	75.00	11.50	12.50	75.00	5.00	0.20
SU85-65-11.4DI-L-P	85.00	65.00	11.40	12.50	65.00	5.00	0.30
SU85-65-12DI-L-P	85.00	65.00	12.00	13.00	65.00	5.00	0.30
SU85-70-9DI-L-P	85.00	70.00	9.00	10.00	70.00	5.00	0.30
SU85-70-10DI-L-P	85.00	70.00	10.00	11.00	70.00	5.00	0.30
SU85-70-11DI-L-P	85.00	70.00	11.00	12.00	70.00	5.00	0.30
SU85-70-11.5DI-L-P	85.00	70.00	11.50	12.50	70.00	5.00	0.30
SU85-70-12DI-L-P	85.00	70.00	12.00	13.00	70.00	5.00	0.30
SU85-70-20.5DI-L-P	85.00	70.00	20.50	22.50	70.00	5.00	0.30
SU85-75-6DI-L-P	85.00	75.00	6.00	7.00	75.00	5.00	0.30
SU85-75-8.7DI-L-P	85.00	75.00	8.70	9.50	75.00	5.00	0.30
SU85-75-10DI-L-P	85.00	75.00	10.00	11.00	75.00	5.00	0.30
SU85-75-11.5DI-L-P	85.00	75.00	11.50	12.50	75.00	5.00	0.30
SU85-75-11.8DI-L-P	85.00	75.00	11.80	13.00	75.00	5.00	0.30
SU85-75-12DI-L-P	85.00	75.00	12.00	13.00	75.00	5.00	0.30
SU86-77-14DI-L-P	86.00	77.00	14.00	15.00	77.00	5.00	0.20
SU86-78-9DI-L-P	86.00	78.00	9.00	10.00	78.00	5.00	0.20
SU86-78-11.5DI-L-P	86.00	78.00	11.50	12.50	78.00	5.00	0.20
SU86-78-13.5DI-L-P	86.00	78.00	13.50	14.50	78.00	5.00	0.20
SU87-77-11.5DI-L-P	87.00	77.00	11.50	12.50	77.00	5.00	0.30
SU87-77-12DI-L-P	87.00	77.00	12.00	13.00	77.00	5.00	0.30
SU88-75-10DI-L-P	88.00	75.00	10.00	11.00	75.00	5.00	0.30
SU88-78-12DI-L-P	88.00	78.00	12.00	13.00	78.00	5.00	0.30
SU88-78-14.3DI-L-P	88.00	78.00	14.30	15.00	78.00	5.00	0.30
SU88-80-11.5DI-L-P	88.00	80.00	11.50	12.50	80.00	5.00	0.20
SU90-70-10.5DI-L-P	90.00	70.00	10.50	11.50	70.00	5.00	0.30
SU90-70-11.4DI-L-P	90.00	70.00	11.40	12.50	70.00	5.00	0.30
SU90-70-12DI-L-P	90.00	70.00	12.00	13.00	70.00	5.00	0.30
SU90-70-14.6DI-L-P	90.00	70.00	14.60	16.00	70.00	5.00	0.30
SU90-70-15DI-L-P	90.00	70.00	15.00	16.00	70.00	5.00	0.30
SU90-75-9DI-L-P	90.00	75.00	9.00	10.00	75.00	5.00	0.30
SU90-75-10DI-L-P	90.00	75.00	10.00	11.00	75.00	5.00	0.30
SU90-75-12DI-L-P	90.00	75.00	12.00	13.00	75.00	5.00	0.30
SU90-80-6DI-L-P	90.00	80.00	6.00	7.00	80.00	5.00	0.30
SU90-80-10DI-L-P	90.00	80.00	10.00	11.00	80.00	5.00	0.30

Fluid Power

The Hydraulic Seal Specialists

SU-DI-L-P

Metric **S**ingle Acting **U**-seal(**D**istributor **I**nternal)with Secondary **L**ip in **P**olyurethane



Part Number	*ØD1	*Ød1	H	*L1	*ØG	min	max
						C	R1
SU90-80-11.4DI-L-P	90.00	80.00	11.40	12.50	80.00	5.00	0.30
SU90-80-11.8DI-L-P	90.00	80.00	11.80	13.00	80.00	5.00	0.30
SU90-80-12DI-L-P	90.00	80.00	12.00	13.00	80.00	5.00	0.30
SU92-80-8.7DI-L-P	92.00	80.00	8.70	9.50	80.00	5.00	0.30
SU92.5-85-9DI-L-P	92.50	85.00	9.00	10.00	85.00	5.00	0.20
SU93-80-10DI-L-P	93.00	80.00	10.00	11.00	80.00	5.00	0.30
SU93-85-10DI-L-P	93.00	85.00	10.00	11.00	85.00	5.00	0.30
SU93-85-11DI-L-P	93.00	85.00	11.00	12.50	85.00	5.00	0.30
SU93-85-11.5DI-L-P	93.00	85.00	11.50	12.50	85.00	5.00	0.20
SU95-75-12DI-L-P	95.00	75.00	12.00	13.00	75.00	5.00	0.30
SU95-80-9DI-L-P	95.00	80.00	9.00	10.00	80.00	5.00	0.30
SU95-80-10DI-L-P	95.00	80.00	10.00	11.00	80.00	5.00	0.30
SU95-80-11.4DI-L-P	95.00	80.00	11.40	12.50	80.00	5.00	0.30
SU95-80-11.8DI-L-P	95.00	80.00	11.80	13.00	80.00	5.00	0.30
SU95-80-12DI-L-P	95.00	80.00	12.00	13.00	80.00	5.00	0.30
SU97.5-82.5-12DI-L-P	97.50	82.50	12.00	13.00	82.50	5.00	0.30
SU98-90-7DI-L-P	98.00	90.00	7.00	8.00	90.00	5.00	0.30
SU98-90-11.5DI-L-P	98.00	90.00	11.50	12.50	90.00	5.00	0.20
SU100-80-12DI-L-P	100.00	80.00	12.00	13.00	80.00	7.00	0.30
SU100-80-14.5DI-L-P	100.00	80.00	14.50	16.00	80.00	7.00	0.30
SU100-80-15DI-L-P	100.00	80.00	15.00	16.00	80.00	7.00	0.30
SU100-85-9DI-L-P	100.00	85.00	9.00	10.00	85.00	7.00	0.30
SU100-85-10DI-L-P	100.00	85.00	10.00	11.00	85.00	7.00	0.30
SU100-85-11.5DI-L-P	100.00	85.00	11.50	12.50	85.00	7.00	0.30
SU100-85-11.8DI-L-P	100.00	85.00	11.80	13.00	85.00	7.00	0.30
SU100-85-12DI-L-P	100.00	85.00	12.00	13.00	85.00	7.00	0.30
SU100-90-6.8DI-L-P	100.00	90.00	6.80	7.50	90.00	7.00	0.30
SU100-90-9DI-L-P	100.00	90.00	9.00	10.00	90.00	7.00	0.30
SU100-90-11.5DI-L-P	100.00	90.00	11.50	12.50	90.00	7.00	0.30
SU100-90-11.8DI-L-P	100.00	90.00	11.80	13.00	90.00	7.00	0.30
SU101-91-10DI-L-P	101.00	91.00	10.00	11.00	91.00	7.00	0.30
SU101-93-11.5DI-L-P	101.00	93.00	11.50	12.50	93.00	7.00	0.30
SU102-90-8.7DI-L-P	102.00	90.00	8.70	9.60	90.00	7.00	0.30
SU103-95-11.5DI-L-P	103.00	95.00	11.50	12.50	95.00	7.00	0.20
SU104-96-10.9DI-L-P	104.00	96.00	10.90	12.00	96.00	7.00	0.20
SU105-85-10.5DI-L-P	105.00	85.00	10.50	11.50	85.00	7.00	0.30
SU105-85-12DI-L-P	105.00	85.00	12.00	13.00	85.00	7.00	0.30
SU105-90-9DI-L-P	105.00	90.00	9.00	10.00	90.00	7.00	0.30
SU105-90-10DI-L-P	105.00	90.00	10.00	11.00	90.00	7.00	0.30
SU105-90-11.5DI-L-P	105.00	90.00	11.50	12.50	90.00	7.00	0.30

* Nominal Dimensions

Fluid Power

The Hydraulic Seal Specialists



SU-DI-L-P

Metric **S**ingle Acting **U**-seal(**D**istributor **I**nternal)with Secondary **L**ip in **P**olyurethane

Part Number	*ØD1	*Ød1	H	*L1	*ØG	min	max
						C	R1
SU105-90-12DI-L-P	105.00	90.00	12.00	13.00	90.00	7.00	0.30
SU105-95-8.7DI-L-P	105.00	95.00	8.70	9.50	95.00	7.00	0.30
SU105-95-12DI-L-P	105.00	95.00	12.00	13.00	95.00	7.00	0.30
SU105-97-11.5DI-L-P	105.00	97.00	11.50	12.50	97.00	7.00	0.20
SU105-97-13DI-L-P	105.00	97.00	13.00	14.00	97.00	7.00	0.20
SU105-97-13.5DI-L-P	105.00	97.00	13.50	14.50	97.00	7.00	0.20
SU106-97-14DI-L-P	106.00	97.00	14.00	15.00	97.00	7.00	0.20
SU108-100-11.5DI-L-P	108.00	100.00	11.50	12.50	100.00	7.00	0.20
SU109-99-12DI-L-P	109.00	99.00	12.00	13.00	99.00	7.00	0.30
SU109-99-14.3DI-L-P	109.00	99.00	14.30	15.00	99.00	7.00	0.30
SU110-80-16.4DI-L-P	110.00	80.00	16.40	18.00	80.00	7.00	0.30
SU110-90-11.4DI-L-P	110.00	90.00	11.40	12.50	90.00	7.00	0.30
SU110-90-12DI-L-P	110.00	90.00	12.00	13.00	90.00	7.00	0.30
SU110-95-9DI-L-P	110.00	95.00	9.00	10.00	95.00	7.00	0.30
SU110-95-10DI-L-P	110.00	95.00	10.00	11.00	95.00	7.00	0.30
SU110-95-12DI-L-P	110.00	95.00	12.00	13.00	95.00	7.00	0.30
SU110-100-10DI-L-P	110.00	100.00	10.00	11.00	100.00	7.00	0.30
SU110-100-10.9DI-L-P	110.00	100.00	10.90	12.00	100.00	7.00	0.30
SU110-100-11.5DI-L-P	110.00	100.00	11.50	12.50	100.00	7.00	0.30
SU113-105-7DI-L-P	113.00	105.00	7.00	8.00	105.00	7.00	0.30
SU113-105-10DI-L-P	113.00	105.00	10.00	11.00	105.00	7.00	0.20
SU113-105-11.5DI-L-P	113.00	105.00	11.50	12.50	105.00	7.00	0.20
SU113-105-13.5DI-L-P	113.00	105.00	13.50	14.50	105.00	7.00	0.20
SU115-95-12DI-L-P	115.00	95.00	12.00	13.00	95.00	7.00	0.30
SU115-100-9DI-L-P	115.00	100.00	9.00	10.00	100.00	7.00	0.30
SU115-100-10DI-L-P	115.00	100.00	10.00	11.00	100.00	7.00	0.30
SU115-100-11.4DI-L-P	115.00	100.00	11.40	12.50	100.00	7.00	0.30
SU115-100-11.8DI-L-P	115.00	100.00	11.80	13.00	100.00	7.00	0.30
SU115-100-12DI-L-P	115.00	100.00	12.00	13.00	100.00	7.00	0.30
SU115-105-11.5DI-L-P	115.00	105.00	11.50	12.50	105.00	7.00	0.30
SU115-105-13.2DI-L-P	115.00	105.00	13.20	14.50	105.00	7.00	0.30
SU115.5-100-6DI-L-P	115.50	100.00	6.00	6.30	100.00	7.00	0.30
SU118-110-11.5DI-L-P	118.00	110.00	11.50	12.50	110.00	7.00	0.20
SU120-100-10.5DI-L-P	120.00	100.00	10.50	11.50	100.00	7.00	0.30
SU120-100-11.4DI-L-P	120.00	100.00	11.40	12.50	100.00	7.00	0.30
SU120-100-11.8DI-L-P	120.00	100.00	11.80	13.00	100.00	7.00	0.30
SU120-100-12DI-L-P	120.00	100.00	12.00	13.00	100.00	7.00	0.30
SU120-100-14.5DI-L-P	120.00	100.00	14.50	16.00	100.00	7.00	0.30
SU120-100-15DI-L-P	120.00	100.00	15.00	16.00	100.00	7.00	0.30
SU120-105-9.9DI-L-P	120.00	105.00	9.90	10.90	105.00	7.00	0.30

Fluid Power

The Hydraulic Seal Specialists

SU-DI-L-P

Metric **S**ingle Acting **U**-seal(**D**istributor **I**nternal)with Secondary **L**ip in **P**olyurethane



Part Number	*ØD1	*Ød1	H	*L1	*ØG	min	max
						C	R1
SU120-105-14.6DI-L-P	120.00	105.00	14.60	16.00	105.00	7.00	0.30
SU120-110-10DI-L-P	120.00	110.00	10.00	11.00	110.00	7.00	0.30
SU120-110-12DI-L-P	120.00	110.00	12.00	13.00	110.00	7.00	0.30
SU122-112-10DI-L-P	122.00	112.00	10.00	11.00	112.00	7.00	0.30
SU123-108-10.9DI-L-P	123.00	108.00	10.90	12.00	108.00	7.00	0.30
SU123-115-11.5DI-L-P	123.00	115.00	11.50	12.50	115.00	7.00	0.30
SU125-100-15DI-L-P	125.00	100.00	15.00	16.00	100.00	7.00	0.30
SU125-100-19DI-L-P	125.00	100.00	19.00	20.00	100.00	7.00	0.30
SU125-110-9DI-L-P	125.00	110.00	9.00	10.00	110.00	7.00	0.30
SU125-110-14.5DI-L-P	125.00	110.00	14.50	16.00	110.00	7.00	0.30
SU125-110-15DI-L-P	125.00	110.00	15.00	16.00	110.00	7.00	0.30
SU125-112-9DI-L-P	125.00	112.00	9.00	10.00	112.00	7.00	0.30
SU125-115-12DI-L-P	125.00	115.00	12.00	13.00	115.00	7.00	0.30
SU125-115-14DI-L-P	125.00	115.00	14.00	15.00	115.00	7.00	0.30
SU126-117-14DI-L-P	126.00	117.00	14.00	15.00	117.00	7.00	0.30
SU126-118-11.5DI-L-P	126.00	118.00	11.50	12.50	118.00	7.00	0.30
SU126-118-13DI-L-P	126.00	118.00	13.00	14.00	118.00	7.00	0.30
SU126-118-13.5DI-L-P	126.00	118.00	13.50	14.50	118.00	7.00	0.30
SU128-120-7DI-L-P	128.00	120.00	7.00	8.00	120.00	7.00	0.30
SU128-120-11.5DI-L-P	128.00	120.00	11.50	12.50	120.00	7.00	0.20
SU130-110-11.8DI-L-P	130.00	110.00	11.80	13.00	110.00	7.00	0.30
SU130-110-12DI-L-P	130.00	110.00	12.00	13.00	110.00	7.00	0.30
SU130-110-14.5DI-L-P	130.00	110.00	14.50	16.00	110.00	7.00	0.30
SU130-110-15DI-L-P	130.00	110.00	15.00	16.00	110.00	7.00	0.30
SU130-115-9DI-L-P	130.00	115.00	9.00	10.00	115.00	7.00	0.30
SU130-115-10DI-L-P	130.00	115.00	10.00	11.00	115.00	7.00	0.30
SU130-115-10.9DI-L-P	130.00	115.00	10.90	12.00	115.00	7.00	0.30
SU130-115-14.5DI-L-P	130.00	115.00	14.50	16.00	115.00	7.00	0.30
SU130-120-10.9DI-L-P	130.00	120.00	10.90	12.00	120.00	7.00	0.30
SU130-120-11.5DI-L-P	130.00	120.00	11.50	12.50	120.00	7.00	0.30
SU130-120-12DI-L-P	130.00	120.00	12.00	13.00	120.00	7.00	0.30
SU130-120-14.3DI-L-P	130.00	120.00	14.30	15.00	120.00	7.00	0.30
SU133-125-10DI-L-P	133.00	125.00	10.00	11.00	125.00	7.00	0.30
SU133-125-10.9DI-L-P	133.00	125.00	10.90	12.00	125.00	7.00	0.30
SU133-125-11.5DI-L-P	133.00	125.00	11.50	12.50	125.00	7.00	0.30
SU135-110-14.5DI-L-P	135.00	110.00	14.50	16.00	110.00	7.00	0.30
SU135-110-15DI-L-P	135.00	110.00	15.00	16.00	110.00	7.00	0.30
SU135-110-19DI-L-P	135.00	110.00	19.00	20.00	110.00	7.00	0.30
SU135-120-9DI-L-P	135.00	120.00	9.00	10.00	120.00	7.00	0.30
SU135-120-15DI-L-P	135.00	120.00	15.00	16.00	120.00	7.00	0.30

* Nominal Dimensions

Fluid Power

The Hydraulic Seal Specialists



SU-DI-L-P

Metric **S**ingle Acting **U**-seal(**D**istributor **I**nternal)with Secondary **L**ip in **P**olyurethane

Part Number	*ØD1	*Ød1	H	*L1	*ØG	min	max
						C	R1
SU135-121-9DI-L-P	135.00	121.00	9.00	10.00	121.00	7.00	0.30
SU135-125-10DI-L-P	135.00	125.00	10.00	11.00	125.00	7.00	0.30
SU136-128-11.5DI-L-P	136.00	128.00	11.50	12.50	128.00	7.00	0.20
SU138-130-11.5DI-L-P	138.00	130.00	11.50	12.50	130.00	7.00	0.30
SU139-129-10DI-L-P	139.00	129.00	10.00	11.00	129.00	7.00	0.30
SU140-115-15DI-L-P	140.00	115.00	15.00	16.00	115.00	7.00	0.30
SU140-120-10.5DI-L-P	140.00	120.00	10.50	11.50	120.00	7.00	0.30
SU140-120-11.4DI-L-P	140.00	120.00	11.40	12.50	120.00	7.00	0.30
SU140-120-12DI-L-P	140.00	120.00	12.00	13.00	120.00	7.00	0.30
SU140-120-14.5DI-L-P	140.00	120.00	14.50	16.00	120.00	7.00	0.30
SU140-120-15DI-L-P	140.00	120.00	15.00	16.00	120.00	7.00	0.30
SU140-125-9DI-L-P	140.00	125.00	9.00	10.00	125.00	7.00	0.30
SU140-127-11.5DI-L-P	140.00	127.00	11.50	12.50	127.00	7.00	0.30
SU140-130-14.5DI-L-P	140.00	130.00	14.50	16.00	130.00	7.00	0.30
SU142-132-8.7DI-L-P	142.00	132.00	8.70	9.50	132.00	7.00	0.30
SU143-135-11.5DI-L-P	143.00	135.00	11.50	12.50	135.00	7.00	0.20
SU145-125-12DI-L-P	145.00	125.00	12.00	13.00	125.00	7.00	0.30
SU145-125-14.5DI-L-P	145.00	125.00	14.50	16.00	125.00	7.00	0.30
SU145-125-15DI-L-P	145.00	125.00	15.00	16.00	125.00	7.00	0.30
SU145-130-9DI-L-P	145.00	130.00	9.00	10.00	130.00	7.00	0.30
SU145-130-12DI-L-P	145.00	130.00	12.00	13.00	130.00	7.00	0.30
SU146-137-14DI-L-P	146.00	137.00	14.00	15.00	137.00	7.00	0.20
SU148-140-7DI-L-P	148.00	140.00	7.00	8.00	140.00	7.00	0.20
SU148-140-11.5DI-L-P	148.00	140.00	11.50	12.50	140.00	7.00	0.20
SU150-125-12.5DI-L-P	150.00	125.00	12.50	14.00	125.00	7.00	0.30
SU150-125-15DI-L-P	150.00	125.00	15.00	16.00	125.00	7.00	0.30
SU150-125-19DI-L-P	150.00	125.00	19.00	20.00	125.00	7.00	0.30
SU150-130-12DI-L-P	150.00	130.00	12.00	13.00	130.00	7.00	0.30
SU150-130-14.5DI-L-P	150.00	130.00	14.50	16.00	130.00	7.00	0.30
SU150-130-15DI-L-P	150.00	130.00	15.00	16.00	130.00	7.00	0.30
SU150-131-13DI-L-P	150.00	131.00	13.00	14.00	131.00	7.00	0.30
SU150-135-11DI-L-P	150.00	135.00	11.00	12.00	135.00	7.00	0.30
SU150-135-11.5DI-L-P	150.00	135.00	11.50	12.50	135.00	7.00	0.30
SU150-135-15DI-L-P	150.00	135.00	15.00	16.00	135.00	7.00	0.30
SU150-140-10.9DI-L-P	150.00	140.00	10.90	12.00	140.00	7.00	0.30
SU150-140-11.5DI-L-P	150.00	140.00	11.50	12.50	140.00	7.00	0.30
SU151-141-12DI-L-P	151.00	141.00	12.00	13.00	141.00	7.00	0.30
SU151-141-14.3DI-L-P	151.00	141.00	14.30	15.00	141.00	7.00	0.30
SU151-143-11.5DI-L-P	151.00	143.00	11.50	12.50	143.00	7.00	0.30
SU151-143-13DI-L-P	151.00	143.00	13.00	14.00	143.00	7.00	0.30

Fluid Power

The Hydraulic Seal Specialists

SU-DI-L-P

Metric **S**ingle Acting **U**-seal(**D**istributor **I**nternal)with Secondary **L**ip in **P**olyurethane

Part Number	*ØD1	*Ød1	H	*L1	*ØG	min	max
						C	R1
SU151-143-13.5DI-L-P	151.00	143.00	13.50	14.50	143.00	7.00	0.30
SU153-145-11.5DI-L-P	153.00	145.00	11.50	12.50	145.00	7.00	0.20
SU155-125-18DI-L-P	155.00	125.00	18.00	19.00	125.00	7.00	0.30
SU155-140-11.8DI-L-P	155.00	140.00	11.80	13.00	140.00	7.00	0.30
SU155-145-12DI-L-P	155.00	145.00	12.00	13.00	145.00	7.00	0.30
SU159-149-10DI-L-P	159.00	149.00	10.00	11.00	149.00	7.00	0.30
SU160-140-11.8DI-L-P	160.00	140.00	11.80	13.00	140.00	7.00	0.30
SU160-140-12DI-L-P	160.00	140.00	12.00	13.00	140.00	7.00	0.30
SU160-140-14.5DI-L-P	160.00	140.00	14.50	16.00	140.00	7.00	0.30
SU160-140-15DI-L-P	160.00	140.00	15.00	16.00	140.00	7.00	0.30
SU160-145-12DI-L-P	160.00	145.00	12.00	13.00	145.00	7.00	0.30
SU160-145-15DI-L-P	160.00	145.00	15.00	16.00	145.00	7.00	0.30
SU160-148-12DI-L-P	160.00	148.00	12.00	13.00	148.00	7.00	0.30
SU160-150-11DI-L-P	160.00	150.00	11.00	12.00	150.00	7.00	0.30
SU160-150-12.5DI-L-P	160.00	150.00	12.50	13.50	150.00	7.00	0.30
SU160-152-11.5DI-L-P	160.00	152.00	11.50	12.50	152.00	7.00	0.30
SU160.5-152.5-14DI-L-P	160.50	152.50	14.00	15.00	152.50	7.00	0.30
SU162-152-10DI-L-P	162.00	152.00	10.00	11.00	152.00	7.00	0.30
SU163-155-11.5DI-L-P	163.00	155.00	11.50	12.50	155.00	7.00	0.20
SU165-140-15DI-L-P	165.00	140.00	15.00	16.00	140.00	7.00	0.30
SU165-150-9DI-L-P	165.00	150.00	9.00	10.00	150.00	7.00	0.30
SU168-160-11.5DI-L-P	168.00	160.00	11.50	12.50	160.00	7.00	0.20
SU170-140-18DI-L-P	170.00	140.00	18.00	19.00	140.00	7.00	0.30
SU170-150-13.2DI-L-P	170.00	150.00	13.20	14.50	150.00	7.00	0.30
SU170-150-14.5DI-L-P	170.00	150.00	14.50	16.00	150.00	7.00	0.30
SU170-150-15DI-L-P	170.00	150.00	15.00	16.00	150.00	7.00	0.30
SU170-155-14.5DI-L-P	170.00	155.00	14.50	16.00	155.00	7.00	0.30
SU170-160-11.5DI-L-P	170.00	160.00	11.50	12.50	160.00	7.00	0.30
SU171-152-11.5DI-L-P	171.00	152.00	11.50	12.50	152.00	7.00	0.30
SU172-162-12DI-L-P	172.00	162.00	12.00	13.00	162.00	7.00	0.30
SU172-162-14.3DI-L-P	172.00	162.00	14.30	15.00	162.00	7.00	0.30
SU175-145-15.5DI-L-P	175.00	145.00	15.50	17.00	145.00	7.00	0.30
SU175-160-10.9DI-L-P	175.00	160.00	10.90	12.00	160.00	7.00	0.30
SU175-167-11.5DI-L-P	175.00	167.00	11.50	12.50	167.00	7.00	0.20
SU176-167-11.5DI-L-P	176.00	167.00	11.50	12.50	167.00	7.00	0.20
SU178-170-11.5DI-L-P	178.00	170.00	11.50	12.50	170.00	7.00	0.20
SU179-171-11.5DI-L-P	179.00	171.00	11.50	12.50	171.00	7.00	0.20
SU179-171-13DI-L-P	179.00	171.00	13.00	14.00	171.00	7.00	0.20
SU180-150-18DI-L-P	180.00	150.00	18.00	19.00	160.00	7.00	0.30
SU180-160-12DI-L-P	180.00	160.00	12.00	13.00	160.00	7.00	0.30

* Nominal Dimensions

Fluid Power

The Hydraulic Seal Specialists



SU-DI-L-P

Metric **S**ingle Acting **U**-seal(**D**istributor **I**nternal)with Secondary **L**ip in **P**olyurethane

Part Number	*ØD1	*Ød1	H	*L1	*ØG	min	max
						C	R1
SU180-160-14.5DI-L-P	180.00	160.00	14.50	16.00	160.00	7.00	0.30
SU180-169-11DI-L-P	180.00	169.00	11.00	12.00	169.00	7.00	0.30
SU180-170-12DI-L-P	180.00	170.00	12.00	13.00	170.00	7.00	0.30
SU184-165-13DI-L-P	184.00	165.00	13.00	14.00	165.00	7.00	0.30
SU185-160-14.6DI-L-P	185.00	160.00	14.60	16.00	160.00	7.00	0.30
SU185-160-15DI-L-P	185.00	160.00	15.00	16.00	160.00	7.00	0.30
SU185-160-18.2DI-L-P	185.00	160.00	18.20	20.00	160.00	7.00	0.30
SU185-160-19DI-L-P	185.00	160.00	19.00	20.00	160.00	7.00	0.30
SU188-180-13.5DI-L-P	188.00	180.00	13.50	14.50	180.00	7.00	0.20
SU190-170-14.5DI-L-P	190.00	170.00	14.50	16.00	170.00	7.00	0.30
SU190-170-15DI-L-P	190.00	170.00	15.00	16.00	170.00	7.00	0.30
SU190-180-10DI-L-P	190.00	180.00	10.00	11.00	180.00	7.00	0.30
SU193-183-14.3DI-L-P	193.00	183.00	14.30	15.00	183.00	7.00	0.30
SU193-185-11.5DI-L-P	193.00	185.00	11.50	12.50	185.00	7.00	0.30
SU195-180-12.5DI-L-P	195.00	180.00	12.50	13.50	180.00	7.00	0.30
SU200-170-15.5DI-L-P	200.00	170.00	15.50	17.00	170.00	10.00	0.30
SU200-170-18DI-L-P	200.00	170.00	18.00	19.00	170.00	10.00	0.30
SU200-180-11.8DI-L-P	200.00	180.00	11.80	13.00	180.00	10.00	0.30
SU200-180-14.5DI-L-P	200.00	180.00	14.50	16.00	180.00	10.00	0.30
SU200-180-15DI-L-P	200.00	180.00	15.00	16.00	180.00	10.00	0.30
SU200-185-10.9DI-L-P	200.00	185.00	10.90	12.00	185.00	10.00	0.30
SU201-193-11.5DI-L-P	201.00	193.00	11.50	12.50	193.00	10.00	0.20
SU202-191-11DI-L-P	202.00	191.00	11.00	12.00	191.00	10.00	0.30
SU205-177-19DI-L-P	205.00	177.00	19.00	20.00	177.00	10.00	0.30
SU205-180-15DI-L-P	205.00	180.00	15.00	16.00	180.00	10.00	0.30
SU205-180-19DI-L-P	205.00	180.00	19.00	20.00	180.00	10.00	0.30
SU208-200-11.5DI-L-P	208.00	200.00	11.50	12.50	200.00	10.00	0.20
SU210-180-18DI-L-P	210.00	180.00	18.00	19.00	180.00	10.00	0.30
SU217-207-14.3DI-L-P	217.00	207.00	14.30	15.00	207.00	10.00	0.30
SU220-200-12DI-L-P	220.00	200.00	12.00	13.00	200.00	10.00	0.30
SU220-200-14.5DI-L-P	220.00	200.00	14.50	16.00	200.00	10.00	0.30
SU220-200-15DI-L-P	220.00	200.00	15.00	16.00	200.00	10.00	0.30
SU220-205-12.5DI-L-P	220.00	205.00	12.50	13.50	205.00	10.00	0.30
SU220-212-13.5DI-L-P	220.00	212.00	13.50	14.50	212.00	10.00	0.30
SU225-200-15DI-L-P	225.00	200.00	15.00	16.00	200.00	10.00	0.30
SU225-200-18.2DI-L-P	225.00	200.00	18.20	20.00	200.00	10.00	0.30
SU226-214-12DI-L-P	226.00	214.00	12.00	13.00	214.00	10.00	0.30
SU228-209-13DI-L-P	228.00	209.00	13.00	14.00	209.00	10.00	0.30
SU230-200-15.5DI-L-P	230.00	200.00	15.50	17.00	200.00	10.00	0.30
SU230-210-15DI-L-P	230.00	210.00	15.00	16.00	210.00	10.00	0.30

183 * Nominal Dimensions

Fluid Power

The Hydraulic Seal Specialists

SU-DI-L-P

Metric **S**ingle Acting **U**-seal(**D**istributor **I**nternal)with Secondary **L**ip in **P**olyurethane



Part Number	*ØD1	*Ød1	H	*L1	*ØG	min	max
						C	R1
SU240-220-14.5DI-L-P	240.00	220.00	14.50	16.00	220.00	10.00	0.30
SU240-220-15DI-L-P	240.00	220.00	15.00	16.00	220.00	10.00	0.30
SU246-228.5-9DI-L-P	246.00	228.50	9.00	10.00	228.50	10.00	0.30
SU246-232-12DI-L-P	246.00	232.00	12.00	13.00	232.00	10.00	0.30
SU250-220-18DI-L-P	250.00	220.00	18.00	19.00	220.00	10.00	0.30
SU250-220-22.7DI-L-P	250.00	220.00	22.70	25.00	220.00	10.00	0.30
SU260-230-22.7DI-L-P	260.00	230.00	22.70	25.00	230.00	10.00	0.30
SU260-240-15DI-L-P	260.00	240.00	15.00	16.00	240.00	10.00	0.30
SU280-250-22.7DI-L-P	280.00	250.00	22.70	25.00	250.00	10.00	0.30
SU310-280-18DI-L-P	310.00	280.00	18.00	19.00	280.00	10.00	0.30
SU350-330-10DI-L-P	350.00	330.00	10.00	11.00	330.00	10.00	0.30

* Nominal Dimensions

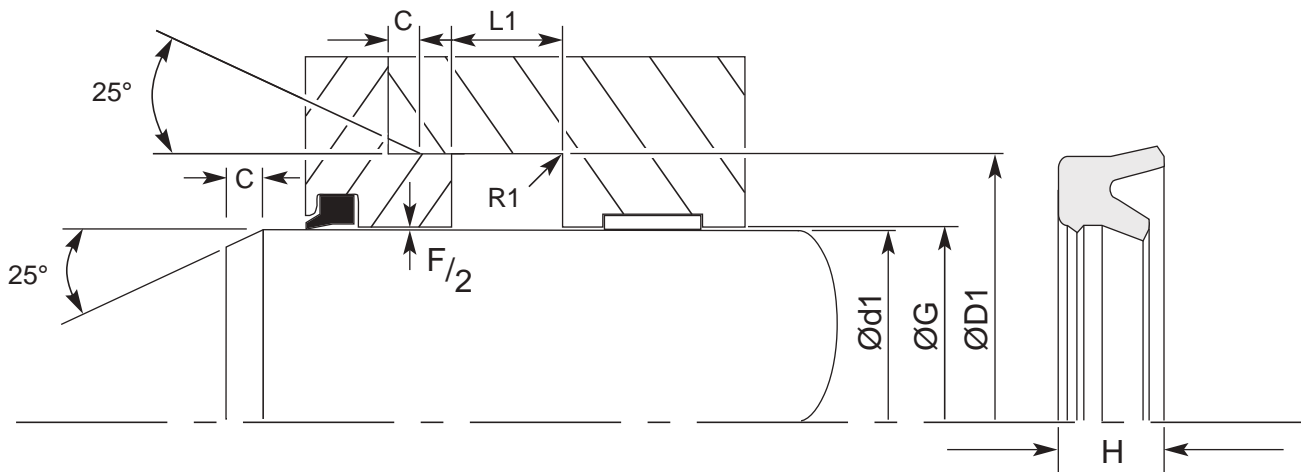
Fluid Power

The Hydraulic Seal Specialists



SU-DI-L-P

Imperial **S**ingle Acting **U**-seal (**D**istributor **I**nternal) with Secondary **L**ip in **P**olyurethane



Maximum Diametrical Clearance F					
Pressure	Bar	100	200	300	400
Maximum Gap	Inch	0.029	0.024	0.019	0.016

Tolerances			
ØD1	Ød1	L1	ØG
H10	f7	+0.004/-0.000	H9

Operating Conditions	
Max Speed	Temp Range
m/s	-30° to 100°C
0.50	250 Bar
0.15	400 Bar

SU-DI-L-P is an asymmetrical seal specifically designed for rod applications. Manufactured in a high performance Polyurethane for excellent abrasion and extrusion resistance. Features include a secondary inner lip which reduces leakage, friction and increases stability. The sealing effect of the SU-DI-L-P is obtained due to the lip pre-compression when installed and the pressure effect on the lips.

Fluid **Power**

The Hydraulic Seal Specialists

SU-DI-L-PImperial **S**ingle Acting **U**-seal(**D**istributor **I**nternal)with Secondary **L**ip in **P**olyurethane

Part Number	*ØD1	*Ød1	H	*L1	*ØG	min	max
						C	R1
SU062037-020DI-L-P	0.625	0.375	0.198	0.218	0.375	0.156	0.008
SU075037-031DI-L-P	0.750	0.375	0.312	0.343	0.375	0.156	0.016
SU075050-018DI-L-P	0.750	0.500	0.187	0.207	0.500	0.156	0.008
SU081056-018DI-L-P	0.813	0.562	0.187	0.207	0.562	0.156	0.008
SU087062-018DI-L-P	0.875	0.625	0.187	0.207	0.625	0.156	0.008
SU087062-024DI-L-P	0.875	0.625	0.241	0.265	0.625	0.156	0.008
SU093068-018DI-L-P	0.937	0.687	0.187	0.207	0.687	0.156	0.008
SU100062-028DI-L-P	1.000	0.625	0.281	0.312	0.625	0.156	0.008
SU100075-012DI-L-P	1.000	0.750	0.125	0.138	0.750	0.156	0.008
SU100075-018DI-L-P	1.000	0.750	0.187	0.207	0.750	0.156	0.008
SU100075-025DI-L-P	1.000	0.750	0.250	0.275	0.750	0.156	0.008
SU106081-018DI-L-P	1.062	0.812	0.187	0.207	0.812	0.156	0.008
SU106081-025DI-L-P	1.062	0.812	0.250	0.275	0.812	0.156	0.008
SU112075-025DI-L-P	1.125	0.750	0.250	0.281	0.750	0.156	0.008
SU112075-031DI-L-P	1.125	0.750	0.312	0.344	0.750	0.156	0.008
SU112087-018DI-L-P	1.125	0.875	0.187	0.207	0.875	0.156	0.008
SU112087-025DI-L-P	1.125	0.875	0.250	0.275	0.875	0.156	0.008
SU124100-018DI-L-P	1.240	1.000	0.187	0.211	1.000	0.156	0.008
SU125100-018DI-L-P	1.250	1.000	0.187	0.211	1.000	0.156	0.008
SU125100-025DI-L-P	1.250	1.000	0.250	0.275	1.000	0.156	0.008
SU130100-011DI-L-P	1.302	1.000	0.110	0.125	1.000	0.156	0.008
SU130106-018DI-L-P	1.302	1.062	0.187	0.203	1.062	0.156	0.008
SU131100-021DI-L-P	1.312	1.000	0.219	0.241	1.000	0.156	0.008
SU131106-025DI-L-P	1.312	1.062	0.250	0.275	1.062	0.156	0.008
SU136112-019DI-L-P	1.365	1.125	0.192	0.211	1.125	0.156	0.008
SU137087-034DI-L-P	1.375	0.875	0.341	0.375	0.875	0.156	0.016
SU137100-025DI-L-P	1.375	1.000	0.250	0.275	1.000	0.156	0.008
SU137100-031DI-L-P	1.375	1.000	0.312	0.344	1.000	0.156	0.008
SU137112-018DI-L-P	1.375	1.125	0.187	0.207	1.125	0.156	0.008
SU137112-025DI-L-P	1.375	1.125	0.250	0.275	1.125	0.156	0.008
SU140112-018DI-L-P	1.399	1.125	0.187	0.211	1.125	0.156	0.008
SU150100-025DI-L-P	1.500	1.000	0.250	0.275	1.000	0.156	0.016
SU150100-034DI-L-P	1.500	1.000	0.341	0.375	1.000	0.156	0.016
SU150100-037DI-L-P	1.500	1.000	0.375	0.413	1.000	0.156	0.016
SU150112-025DI-L-P	1.500	1.125	0.250	0.281	1.125	0.156	0.008
SU150112-031DI-L-P	1.500	1.125	0.312	0.344	1.125	0.156	0.008
SU150125-025DI-L-P	1.500	1.250	0.250	0.275	1.250	0.156	0.008
SU156112-032DI-L-P	1.562	1.125	0.325	0.360	1.125	0.156	0.008
SU156118-025DI-L-P	1.562	1.187	0.250	0.275	1.187	0.156	0.008
SU162112-025DI-L-P	1.625	1.125	0.250	0.275	1.125	0.156	0.016

* Nominal Dimensions

Fluid **Power**

The Hydraulic Seal Specialists

**SU-DI-L-P**Imperial **S**ingle Acting **U**-seal(**D**istributor **I**nternal)with Secondary **L**ip in **P**olyurethane

Part Number	*ØD1	*Ød1	H	*L1	*ØG	min	max
						C	R1
SU162125-018DI-L-P	1.625	1.250	0.187	0.207	1.250	0.156	0.008
SU162125-022DI-L-P	1.625	1.250	0.227	0.250	1.250	0.156	0.008
SU162125-025DI-L-P	1.625	1.250	0.250	0.275	1.250	0.156	0.008
SU162125-028DI-L-P	1.625	1.250	0.280	0.300	1.250	0.156	0.008
SU162125-031DI-L-P	1.625	1.250	0.312	0.344	1.250	0.156	0.008
SU162125-037DI-L-P	1.625	1.250	0.375	0.406	1.250	0.156	0.008
SU162137-025DI-L-P	1.625	1.375	0.250	0.275	1.375	0.156	0.008
SU168137-021DI-L-P	1.687	1.375	0.219	0.241	1.375	0.156	0.008
SU175112-039DI-L-P	1.750	1.125	0.397	0.437	1.125	0.156	0.032
SU175125-025DI-L-P	1.750	1.250	0.250	0.275	1.250	0.156	0.016
SU175125-037DI-L-P	1.750	1.250	0.375	0.413	1.250	0.156	0.016
SU175137-018DI-L-P	1.750	1.375	0.187	0.207	1.375	0.156	0.008
SU175137-031DI-L-P	1.750	1.375	0.312	0.344	1.375	0.156	0.008
SU175137-034DI-L-P	1.750	1.375	0.341	0.375	1.375	0.156	0.008
SU175150-025DI-L-P	1.750	1.500	0.250	0.275	1.500	0.156	0.008
SU181143-031DI-L-P	1.812	1.437	0.312	0.344	1.437	0.156	0.008
SU187125-039DI-L-P	1.875	1.250	0.397	0.437	1.250	0.156	0.016
SU187137-037DI-L-P	1.875	1.375	0.375	0.406	1.375	0.156	0.016
SU187150-018DI-L-P	1.875	1.500	0.187	0.207	1.500	0.156	0.016
SU187150-025DI-L-P	1.875	1.500	0.250	0.275	1.500	0.156	0.016
SU187150-031DI-L-P	1.875	1.500	0.312	0.344	1.500	0.156	0.016
SU187150-037DI-L-P	1.875	1.500	0.375	0.413	1.500	0.156	0.016
SU187162-025DI-L-P	1.875	1.625	0.250	0.275	1.625	0.156	0.016
SU200137-039DI-L-P	2.000	1.375	0.397	0.437	1.375	0.156	0.032
SU200150-025DI-L-P	2.000	1.500	0.250	0.275	1.500	0.156	0.016
SU200150-034DI-L-P	2.000	1.500	0.341	0.375	1.500	0.156	0.016
SU200150-037DI-L-P	2.000	1.500	0.375	0.413	1.500	0.156	0.016
SU200162-028DI-L-P	2.000	1.625	0.281	0.312	1.625	0.156	0.008
SU200162-031DI-L-P	2.000	1.625	0.312	0.344	1.625	0.156	0.008
SU200162-037DI-L-P	2.000	1.625	0.375	0.413	1.625	0.156	0.008
SU200175-025DI-L-P	2.000	1.750	0.250	0.275	1.750	0.156	0.008
SU212150-037DI-L-P	2.125	1.500	0.375	0.413	1.500	0.156	0.016
SU212150-039DI-L-P	2.125	1.500	0.397	0.437	1.500	0.156	0.016
SU212162-037DI-L-P	2.125	1.625	0.375	0.413	1.625	0.156	0.016
SU212175-025DI-L-P	2.125	1.750	0.250	0.275	1.750	0.156	0.008
SU212175-031DI-L-P	2.125	1.750	0.312	0.344	1.750	0.156	0.008
SU212175-037DI-L-P	2.125	1.750	0.375	0.406	1.750	0.156	0.008
SU225175-025DI-L-P	2.250	1.750	0.250	0.275	1.750	0.156	0.016
SU225175-031DI-L-P	2.250	1.750	0.312	0.343	1.750	0.156	0.016
SU225175-034DI-L-P	2.250	1.750	0.341	0.375	1.750	0.156	0.016

187 * Nominal Dimensions

Fluid Power

The Hydraulic Seal Specialists

SU-DI-L-P

Imperial **S**ingle Acting **U**-seal(**D**istributor **I**nternal)with Secondary **L**ip in **P**olyurethane



Part Number	*ØD1	*Ød1	H	*L1	*ØG	min	max
						C	R1
SU225175-037DI-L-P	2.250	1.750	0.375	0.413	1.750	0.156	0.016
SU225175-050DI-L-P	2.250	1.750	0.500	0.550	1.750	0.156	0.016
SU225187-037DI-L-P	2.250	1.875	0.375	0.413	1.875	0.156	0.008
SU225200-025DI-L-P	2.250	2.000	0.250	0.275	2.000	0.156	0.008
SU237175-037DI-L-P	2.375	1.750	0.375	0.406	1.750	0.200	0.032
SU237175-043DI-L-P	2.375	1.750	0.437	0.481	1.750	0.200	0.032
SU237175-050DI-L-P	2.375	1.750	0.500	0.531	1.750	0.200	0.032
SU237187-037DI-L-P	2.375	1.875	0.375	0.413	1.875	0.200	0.016
SU237200-025DI-L-P	2.375	2.000	0.250	0.275	2.000	0.200	0.008
SU237200-031DI-L-P	2.375	2.000	0.312	0.344	2.000	0.200	0.008
SU237200-037DI-L-P	2.375	2.000	0.375	0.413	2.000	0.200	0.008
SU250187-039DI-L-P	2.500	1.875	0.397	0.437	1.875	0.200	0.032
SU250200-025DI-L-P	2.500	2.000	0.250	0.275	2.000	0.200	0.016
SU250200-031DI-L-P	2.500	2.000	0.312	0.344	2.000	0.200	0.016
SU250200-034DI-L-P	2.500	2.000	0.341	0.375	2.000	0.200	0.016
SU250200-037DI-L-P	2.500	2.000	0.375	0.413	2.000	0.200	0.016
SU250200-078DI-L-P	2.500	2.000	0.781	0.859	2.000	0.200	0.016
SU250212-037DI-L-P	2.500	2.125	0.375	0.413	2.125	0.200	0.008
SU262200-031DI-L-P	2.625	2.000	0.312	0.344	2.000	0.200	0.032
SU262200-039DI-L-P	2.625	2.000	0.397	0.437	2.000	0.200	0.032
SU262200-050DI-L-P	2.625	2.000	0.500	0.550	2.000	0.200	0.032
SU262225-018DI-L-P	2.625	2.250	0.187	0.207	2.250	0.200	0.008
SU262225-033DI-L-P	2.625	2.250	0.335	0.375	2.250	0.200	0.008
SU262225-037DI-L-P	2.625	2.250	0.375	0.406	2.250	0.200	0.008
SU274237-028DI-L-P	2.740	2.375	0.281	0.312	2.375	0.200	0.016
SU275200-062DI-L-P	2.750	2.000	0.625	0.688	2.000	0.200	0.032
SU275225-034DI-L-P	2.750	2.250	0.341	0.375	2.250	0.200	0.016
SU275225-037DI-L-P	2.750	2.250	0.375	0.406	2.250	0.200	0.016
SU275237-037DI-L-P	2.750	2.375	0.375	0.413	2.375	0.200	0.016
SU287225-050DI-L-P	2.875	2.250	0.500	0.550	2.250	0.200	0.016
SU287237-037DI-L-P	2.875	2.375	0.375	0.413	2.375	0.200	0.016
SU287250-031DI-L-P	2.875	2.500	0.312	0.344	2.500	0.200	0.016
SU287250-037DI-L-P	2.875	2.500	0.375	0.413	2.500	0.200	0.016
SU293250-028DI-L-P	2.937	2.500	0.281	0.312	2.500	0.200	0.008
SU300225-051DI-L-P	3.000	2.250	0.511	0.562	2.250	0.200	0.032
SU300250-025DI-L-P	3.000	2.500	0.250	0.275	2.500	0.200	0.016
SU300250-028DI-L-P	3.000	2.500	0.284	0.312	2.500	0.200	0.016
SU300250-037DI-L-P	3.000	2.500	0.375	0.406	2.500	0.200	0.016
SU300262-037DI-L-P	3.000	2.625	0.375	0.413	2.625	0.200	0.016
SU312250-050DI-L-P	3.125	2.500	0.500	0.550	2.500	0.200	0.032

* Nominal Dimensions

Fluid **Power**

The Hydraulic Seal Specialists

**SU-DI-L-P**Imperial **S**ingle Acting **U**-seal(**D**istributor **I**nternal)with Secondary **L**ip in **P**olyurethane

Part Number	*ØD1	*Ød1	H	*L1	*ØG	min	max
						C	R1
SU312262-050DI-L-P	3.125	2.625	0.500	0.550	2.625	0.200	0.032
SU324287-028DI-L-P	3.240	2.875	0.281	0.312	2.875	0.200	0.016
SU325250-062DI-L-P	3.250	2.500	0.625	0.688	2.500	0.200	0.032
SU325262-062DI-L-P	3.250	2.625	0.625	0.688	2.625	0.200	0.032
SU325275-037DI-L-P	3.250	2.750	0.375	0.406	2.750	0.200	0.016
SU325287-037DI-L-P	3.250	2.875	0.375	0.413	2.875	0.200	0.016
SU337275-037DI-L-P	3.375	2.750	0.375	0.413	2.750	0.200	0.032
SU337275-050DI-L-P	3.375	2.750	0.500	0.531	2.750	0.200	0.032
SU337275-080DI-L-P	3.375	2.750	0.805	0.885	2.750	0.200	0.032
SU337300-037DI-L-P	3.375	3.000	0.375	0.413	3.000	0.200	0.008
SU343300-028DI-L-P	3.438	3.000	0.281	0.310	3.000	0.200	0.008
SU350275-062DI-L-P	3.500	2.750	0.625	0.688	2.750	0.200	0.032
SU350300-037DI-L-P	3.500	3.000	0.375	0.413	3.000	0.200	0.016
SU350300-062DI-L-P	3.500	3.000	0.625	0.688	3.000	0.200	0.016
SU350300-078DI-L-P	3.500	3.000	0.781	0.859	3.000	0.200	0.016
SU350312-037DI-L-P	3.500	3.125	0.375	0.413	3.125	0.200	0.008
SU350312-062DI-L-P	3.500	3.125	0.625	0.688	3.125	0.200	0.008
SU362300-050DI-L-P	3.625	3.000	0.500	0.550	3.000	0.200	0.032
SU362325-037DI-L-P	3.625	3.250	0.375	0.413	3.250	0.200	0.008
SU362325-056DI-L-P	3.625	3.250	0.562	0.619	3.250	0.200	0.008
SU375300-050DI-L-P	3.750	3.000	0.500	0.531	3.000	0.200	0.032
SU375300-062DI-L-P	3.750	3.000	0.625	0.688	3.000	0.200	0.032
SU375325-037DI-L-P	3.750	3.250	0.375	0.413	3.250	0.200	0.016
SU387325-050DI-L-P	3.875	3.250	0.500	0.550	3.250	0.200	0.032
SU387350-037DI-L-P	3.875	3.500	0.375	0.413	3.500	0.200	0.008
SU400337-059DI-L-P	4.000	3.375	0.594	0.653	3.375	0.250	0.032
SU400350-031DI-L-P	4.000	3.500	0.312	0.344	3.500	0.250	0.016
SU400350-037DI-L-P	4.000	3.500	0.375	0.406	3.500	0.250	0.016
SU412350-050DI-L-P	4.125	3.500	0.500	0.550	3.500	0.250	0.032
SU412362-037DI-L-P	4.125	3.625	0.375	0.413	3.625	0.250	0.016
SU412375-037DI-L-P	4.125	3.750	0.375	0.413	3.750	0.250	0.008
SU425350-062DI-L-P	4.250	3.500	0.625	0.688	3.500	0.250	0.032
SU425375-037DI-L-P	4.250	3.750	0.375	0.413	3.750	0.250	0.008
SU425375-050DI-L-P	4.250	3.750	0.500	0.550	3.750	0.250	0.008
SU425375-056DI-L-P	4.250	3.750	0.562	0.625	3.750	0.250	0.008
SU437400-037DI-L-P	4.375	4.000	0.375	0.413	4.000	0.250	0.008
SU450400-031DI-L-P	4.500	4.000	0.312	0.355	4.000	0.250	0.016
SU450400-037DI-L-P	4.500	4.000	0.375	0.413	4.000	0.250	0.016
SU450400-056DI-L-P	4.500	4.000	0.562	0.619	4.000	0.250	0.016
SU450400-078DI-L-P	4.500	4.000	0.781	0.859	4.000	0.250	0.016

Fluid Power

The Hydraulic Seal Specialists

SU-DI-L-P

Imperial **S**ingle Acting **U**-seal(**D**istributor **I**nternal)with Secondary **L**ip in **P**olyurethane



Part Number	*ØD1	*Ød1	H	*L1	*ØG	min	max
						C	R1
SU462400-037DI-L-P	4.625	4.000	0.375	0.406	4.000	0.250	0.032
SU462400-050DI-L-P	4.625	4.000	0.500	0.550	4.000	0.250	0.032
SU475400-050DI-L-P	4.750	4.000	0.500	0.550	4.000	0.250	0.032
SU475400-062DI-L-P	4.750	4.000	0.625	0.656	4.000	0.250	0.032
SU500425-050DI-L-P	5.000	4.250	0.500	0.531	4.250	0.250	0.032
SU500425-062DI-L-P	5.000	4.250	0.625	0.688	4.250	0.250	0.032
SU500450-037DI-L-P	5.000	4.500	0.375	0.413	4.500	0.250	0.016
SU500450-056DI-L-P	5.000	4.500	0.562	0.593	4.500	0.250	0.016
SU512450-050DI-L-P	5.125	4.500	0.500	0.550	4.500	0.250	0.032
SU512450-062DI-L-P	5.125	4.500	0.625	0.688	4.500	0.250	0.032
SU512475-037DI-L-P	5.125	4.750	0.375	0.413	4.750	0.250	0.008
SU525450-062DI-L-P	5.250	4.500	0.625	0.688	4.500	0.250	0.032
SU525462-062DI-L-P	5.250	4.625	0.625	0.688	4.625	0.250	0.032
SU525475-056DI-L-P	5.250	4.750	0.562	0.593	4.750	0.250	0.016
SU525475-062DI-L-P	5.250	4.750	0.625	0.688	4.750	0.250	0.016
SU550475-062DI-L-P	5.500	4.750	0.625	0.656	4.750	0.250	0.032
SU550500-037DI-L-P	5.500	5.000	0.375	0.413	5.000	0.250	0.016
SU550500-056DI-L-P	5.500	5.000	0.562	0.619	5.000	0.250	0.016
SU550500-078DI-L-P	5.500	5.000	0.781	0.859	5.000	0.250	0.016
SU553500-055DI-L-P	5.531	5.000	0.557	0.619	5.000	0.250	0.016
SU562500-050DI-L-P	5.625	5.000	0.500	0.550	5.000	0.250	0.032
SU562512-056DI-L-P	5.625	5.125	0.562	0.619	5.125	0.250	0.016
SU575500-062DI-L-P	5.750	5.000	0.625	0.688	5.000	0.250	0.032
SU587537-062DI-L-P	5.875	5.375	0.625	0.688	5.375	0.250	0.016
SU600512-050DI-L-P	6.000	5.125	0.500	0.550	5.125	0.250	0.032
SU600537-062DI-L-P	6.000	5.375	0.625	0.688	5.375	0.250	0.032
SU600550-037DI-L-P	6.000	5.500	0.375	0.413	5.500	0.250	0.016
SU600550-056DI-L-P	6.000	5.500	0.562	0.619	5.500	0.250	0.016
SU612550-031DI-L-P	6.125	5.500	0.312	0.344	5.500	0.250	0.032
SU612562-037DI-L-P	6.125	5.625	0.375	0.413	5.625	0.250	0.016
SU625550-062DI-L-P	6.250	5.500	0.625	0.688	5.500	0.250	0.032
SU650600-056DI-L-P	6.500	6.000	0.562	0.619	6.000	0.250	0.016
SU650600-078DI-L-P	6.500	6.000	0.781	0.859	6.000	0.250	0.016
SU653600-056DI-L-P	6.531	6.000	0.562	0.619	6.000	0.250	0.016
SU675600-062DI-L-P	6.750	6.000	0.625	0.688	6.000	0.250	0.032
SU725650-062DI-L-P	7.250	6.500	0.625	0.688	6.500	0.250	0.032
SU750700-056DI-L-P	7.500	7.000	0.562	0.619	7.000	0.250	0.016
SU753700-056DI-L-P	7.531	7.000	0.562	0.619	7.000	0.250	0.016
SU775700-062DI-L-P	7.750	7.000	0.625	0.688	7.000	0.250	0.032
SU800750-037DI-L-P	8.000	7.500	0.375	0.413	7.500	0.375	0.032

* Nominal Dimensions

Fluid **Power**

The Hydraulic Seal Specialists

**SU-DI-L-P**Imperial **S**ingle Acting **U**-seal(**D**istributor **I**nternal)with Secondary **L**ip in **P**olyurethane

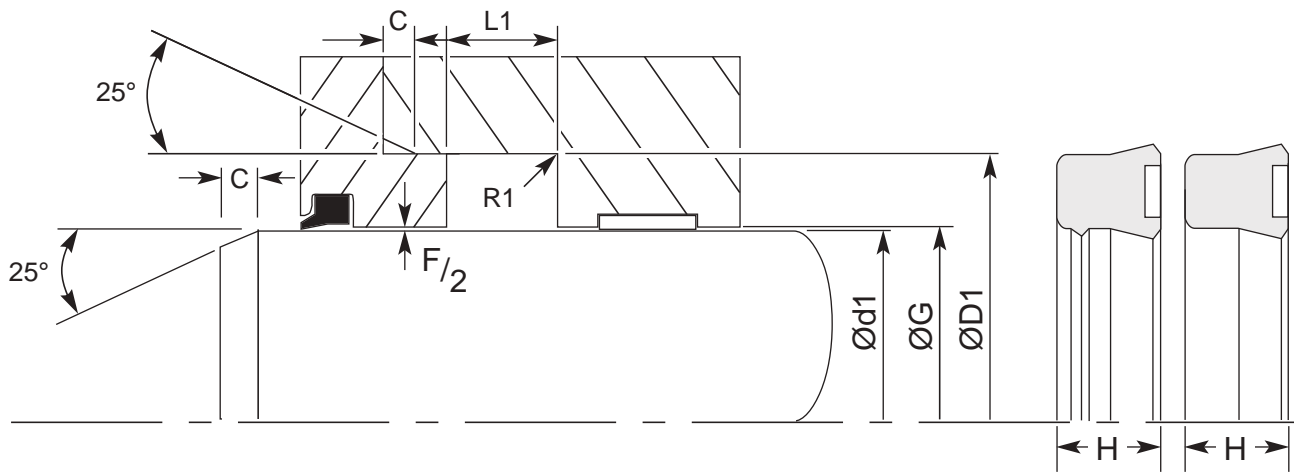
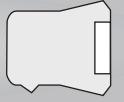
Part Number	*ØD1	*Ød1	H	*L1	*ØG	min	max
						C	R1
SU850775-062DI-L-P	8.500	7.750	0.625	0.688	7.750	0.375	0.032
SU850800-056DI-L-P	8.500	8.000	0.562	0.619	8.000	0.375	0.016
SU862812-078DI-L-P	8.625	8.125	0.781	0.859	8.125	0.375	0.016
SU875800-062DI-L-P	8.750	8.000	0.625	0.688	8.000	0.375	0.032
SU950900-056DI-L-P	9.500	9.000	0.562	0.619	9.000	0.375	0.016
SU968900-035DI-L-P	9.687	9.000	0.354	0.394	9.000	0.375	0.032
SU987937-078DI-L-P	9.875	9.375	0.781	0.859	9.375	0.375	0.016
SU1000925-062DI-L-P	10.000	9.250	0.625	0.688	9.250	0.375	0.032
SU10501000-056DI-L-P	10.500	10.000	0.562	0.619	10.000	0.375	0.016

Fluid Power

The Hydraulic Seal Specialists

SU-TS-P & SU-TS-L-P

Metric **S**ingle Acting **U**-seal **TS** Style with or without Secondary **L**ip in **P**olyurethane



Maximum Diametrical Clearance F					
Pressure	Bar	100	200	300	400
Maximum Gap	mm	0.75	0.60	0.48	0.40

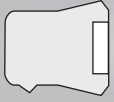
Tolerances			
ØD1	Ød1	L1	ØG
H10	f7	+0.25/-0.00	H9

Operating Conditions	
Max Speed	Temp Range
m/s	-30° to 100°C
0.50	250 Bar
0.15	400 Bar

SU-TS-P & SU-TS-L-P are asymmetrical seals specifically designed for rod applications. Manufactured in a high performance Polyurethane for excellent abrasion and extrusion resistance. Features include a secondary inner lip on SU-TS-L-P the which reduces leakage, friction and increases stability. The sealing effect of the SU-TS-P & SU-TS-L-P is obtained due to the lip pre-compression when installed and the pressure effect on the lips.

Fluid **Power**

The Hydraulic Seal Specialists



SU-TS-P & SU-TS-L-P

Metric **S**ingle Acting **U**-seal **TS** Style with or without Secondary **L**ip in **P**olyurethane

Part Number	*ØD1	*Ød1	H	*L1	*ØG	min	max
						C	R1
SU9-5-3TS-P	9.00	5.00	3.00	3.50	5.00	5.00	0.20
SU14-6-5.7TS-P	14.00	6.00	5.70	6.30	6.00	5.00	0.20
SU14-6-5.8TS-L-P	14.00	6.00	5.80	6.30	6.00	5.00	0.20
SU15-8-5.8TS-L-P	15.00	8.00	5.80	6.30	8.00	5.00	0.20
SU15-10-4.2TS-P	15.00	10.00	4.20	5.00	10.00	5.00	0.20
SU16-8-5.3TS-L-P	16.00	8.00	5.30	6.00	8.00	5.00	0.20
SU16-8-5.7TS-P	16.00	8.00	5.70	6.30	8.00	5.00	0.20
SU16-8-5.8TS-L-P	16.00	8.00	5.80	6.30	8.00	5.00	0.20
SU16-10-4.8TS-L-P	16.00	10.00	4.80	5.40	10.00	5.00	0.20
SU16-10-5TS-P	16.00	10.00	5.00	5.60	10.00	5.00	0.20
SU17-12-4.2TS-P	17.00	12.00	4.20	5.00	12.00	5.00	0.20
SU18-10-5.5TS-P	18.00	10.00	5.50	6.50	10.00	5.00	0.20
SU18-10-5.7TS-P	18.00	10.00	5.70	6.30	10.00	5.00	0.20
SU18-10-5.8TS-L-P	18.00	10.00	5.80	6.30	10.00	5.00	0.20
SU18-12-4.5TS-P	18.00	12.00	4.50	5.00	12.00	5.00	0.20
SU19-12-5TS-P	19.00	12.00	5.00	5.60	12.00	5.00	0.20
SU19-12-5.7TS-L-P	19.00	12.00	5.70	6.30	12.00	5.00	0.20
SU20-12-5.5TS-P	20.00	12.00	5.50	6.50	12.00	5.00	0.20
SU20-12-5.8TS-P	20.00	12.00	5.80	6.30	12.00	5.00	0.20
SU20-12-5.8TS-L-P	20.00	12.00	5.80	6.30	12.00	5.00	0.20
SU20-13-6TS-P	20.00	13.00	6.00	7.00	13.00	5.00	0.20
SU20-14-4.8TS-L-P	20.00	14.00	4.80	5.30	14.00	5.00	0.20
SU21-14-5TS-P	21.00	14.00	5.00	5.60	14.00	5.00	0.20
SU21.5-15-4.2TS-L-P	21.50	15.00	4.20	5.00	15.00	5.00	0.20
SU22-14-5.3TS-L-P	22.00	14.00	5.30	6.00	14.00	5.00	0.20
SU22-14-5.5TS-P	22.00	14.00	5.50	6.50	14.00	5.00	0.20
SU22-14-5.7TS-P	22.00	14.00	5.70	6.30	14.00	5.00	0.20
SU22-14-5.8TS-L-P	22.00	14.00	5.80	6.30	14.00	5.00	0.20
SU22-16-4TS-P	22.00	16.00	4.00	4.50	16.00	5.00	0.20
SU23-12-6.5TS-L-P	23.00	12.00	6.50	7.50	12.00	5.00	0.30
SU23-15-5.7TS-P	23.00	15.00	5.70	6.30	15.00	5.00	0.20
SU23-15-5.8TS-L-P	23.00	15.00	5.80	6.30	15.00	5.00	0.20
SU24-16-5.7TS-P	24.00	16.00	5.70	6.30	16.00	5.00	0.20
SU24-16-5.8TS-L-P	24.00	16.00	5.80	6.30	16.00	5.00	0.20
SU24-16-6TS-P	24.00	16.00	6.00	7.00	16.00	5.00	0.20
SU24-18-4.7TS-L-P	24.00	18.00	4.70	5.50	18.00	5.00	0.20
SU25-18-4.6TS-L-P	25.00	18.00	4.60	5.60	18.00	5.00	0.20
SU25-18-5TS-P	25.00	18.00	5.00	5.70	18.00	5.00	0.20
SU25-18-5TS-L-P	25.00	18.00	5.00	5.70	18.00	5.00	0.20
SU25-20-3TS-P	25.00	20.00	3.00	3.50	20.00	5.00	0.20

Fluid **Power**

The Hydraulic Seal Specialists

SU-TS-P & SU-TS-L-P

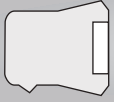
Metric **S**ingle Acting **U**-seal **TS** Style with or without Secondary **L**ip in **P**olyurethane

Part Number	*ØD1	*Ød1	H	*L1	*ØG	min	max
						C	R1
SU25-20-3.7TS-P	25.00	20.00	3.70	4.50	20.00	5.00	0.20
SU26-18-5.7TS-P	26.00	18.00	5.70	6.30	18.00	5.00	0.20
SU26-18-5.8TS-L-P	26.00	18.00	5.80	6.30	18.00	5.00	0.20
SU26-18-6TS-L-P	26.00	18.00	6.00	7.00	18.00	5.00	0.20
SU26-18-8TS-L-P	26.00	18.00	8.00	9.00	18.00	5.00	0.20
SU26-20-4.5TS-L-P	26.00	20.00	4.50	5.50	20.00	5.00	0.20
SU26-20-5.2TS-P	26.00	20.00	5.20	6.00	20.00	5.00	0.20
SU26-20-5.2TS-L-P	26.00	20.00	5.20	6.00	20.00	5.00	0.20
SU27-20-5.7TS-P	27.00	20.00	5.70	6.30	20.00	5.00	0.20
SU27-20-5.7TS-L-P	27.00	20.00	5.70	6.30	20.00	5.00	0.20
SU27-21-4.5TS-P	27.00	21.00	4.50	5.00	21.00	5.00	0.20
SU27.5-19.5-8TS-L-P	27.50	19.50	8.00	9.00	19.50	5.00	0.20
SU28-18-5.8TS-L-P	28.00	18.00	5.80	6.30	18.00	5.00	0.20
SU28-18-7TS-P	28.00	18.00	7.00	8.00	18.00	5.00	0.20
SU28-18-7TS-L-P	28.00	18.00	7.00	8.00	18.00	5.00	0.20
SU28-20-5.8TS-P	28.00	20.00	5.80	6.30	20.00	5.00	0.20
SU28-20-5.8TS-L-P	28.00	20.00	5.80	6.30	20.00	5.00	0.20
SU28-20-6TS-P	28.00	20.00	6.00	7.00	20.00	5.00	0.20
SU28-20-6TS-L-P	28.00	20.00	6.00	7.00	20.00	5.00	0.20
SU28-20-7TS-P	28.00	20.00	7.00	8.00	20.00	5.00	0.20
SU28-20-7TS-L-P	28.00	20.00	7.00	8.00	20.00	5.00	0.20
SU28-22-4.5TS-P	28.00	22.00	4.50	5.50	22.00	5.00	0.20
SU28.6-22.2-3.2TS-P	28.60	22.20	3.20	4.20	22.20	5.00	0.20
SU29-22-4.6TS-L-P	29.00	22.00	4.60	5.60	22.00	5.00	0.20
SU29-22-5TS-P	29.00	22.00	5.00	6.00	22.00	5.00	0.20
SU29-22-5TS-L-P	29.00	22.00	5.00	6.00	22.00	5.00	0.20
SU30-20-4.5TS-L-P	30.00	20.00	4.50	5.00	20.00	5.00	0.30
SU30-20-7TS-L-P	30.00	20.00	7.00	8.00	20.00	5.00	0.30
SU30-20-8TS-P	30.00	20.00	8.00	9.00	20.00	5.00	0.30
SU30-20-10TS-P	30.00	20.00	10.00	11.00	20.00	5.00	0.30
SU30-22-5.7TS-P	30.00	22.00	5.70	6.30	22.00	5.00	0.20
SU30-22-5.8TS-L-P	30.00	22.00	5.80	6.30	22.00	5.00	0.20
SU30-22-6TS-L-P	30.00	22.00	6.00	7.00	22.00	5.00	0.20
SU30-22-7TS-P	30.00	22.00	7.00	8.00	22.00	5.00	0.20
SU30-22-7TS-L-P	30.00	22.00	7.00	8.00	22.00	5.00	0.20
SU30-24-4.5TS-P	30.00	24.00	4.50	5.50	24.00	5.00	0.20
SU30-24-8TS-P	30.00	24.00	8.00	9.00	24.00	5.00	0.20
SU31.5-25.4-4.2TS-P	31.50	25.40	4.20	5.00	25.40	5.00	0.20
SU32-22-7TS-P	32.00	22.00	7.00	8.00	22.00	5.00	0.30
SU32-22-7TS-L-P	32.00	22.00	7.00	8.00	22.00	5.00	0.30

* Nominal Dimensions

Fluid **Power**

The Hydraulic Seal Specialists



SU-TS-P & SU-TS-L-P

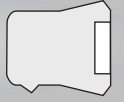
Metric **S**ingle Acting **U**-seal **TS** Style with or without Secondary **L**ip in **P**olyurethane

Part Number	*ØD1	*Ød1	H	*L1	*ØG	min	max
						C	R1
SU32-22-8TS-P	32.00	22.00	8.00	9.00	22.00	5.00	0.30
SU32-22-8TS-L-P	32.00	22.00	8.00	9.00	22.00	5.00	0.30
SU32-24-6TS-P	32.00	24.00	6.00	7.00	24.00	5.00	0.20
SU32-25-4TS-P	32.00	25.00	4.00	5.00	25.00	5.00	0.20
SU33-25-5.8TS-P	33.00	25.00	5.80	6.30	25.00	5.00	0.20
SU33-25-5.8TS-L-P	33.00	25.00	5.80	6.30	25.00	5.00	0.20
SU33-25-6TS-P	33.00	25.00	6.00	7.00	25.00	5.00	0.20
SU33-25-6TS-L-P	33.00	25.00	6.00	7.00	25.00	5.00	0.20
SU33-25-6.5TS-L-P	33.00	25.00	6.50	7.50	25.00	5.00	0.20
SU33-25-7TS-L-P	33.00	25.00	7.00	8.00	25.00	5.00	0.20
SU33-25-8TS-L-P	33.00	25.00	8.00	9.00	25.00	5.00	0.20
SU34-24-5.8TS-L-P	34.00	24.00	5.80	6.30	24.00	5.00	0.30
SU34.2-28-5.2TS-L-P	34.20	28.00	5.20	6.00	28.00	5.00	0.20
SU35-25-5TS-P	35.00	25.00	5.00	6.00	25.00	5.00	0.30
SU35-25-5.8TS-L-P	35.00	25.00	5.80	6.30	25.00	5.00	0.30
SU35-25-7TS-L-P	35.00	25.00	7.00	8.00	25.00	5.00	0.30
SU35-25-8TS-P	35.00	25.00	8.00	9.00	25.00	5.00	0.30
SU35-25-8TS-L-P	35.00	25.00	8.00	9.00	25.00	5.00	0.30
SU35-25-9TS-P	35.00	25.00	9.00	10.00	25.00	5.00	0.30
SU35-25-10TS-P	35.00	25.00	10.00	11.00	25.00	5.00	0.30
SU36-25-5TS-P	36.00	25.00	5.00	6.00	25.00	5.00	0.30
SU36-25-5TS-L-P	36.00	25.00	5.00	6.00	25.00	5.00	0.30
SU36-28-5.3TS-L-P	36.00	28.00	5.30	6.30	28.00	5.00	0.20
SU36-28-5.8TS-P	36.00	28.00	5.80	6.30	28.00	5.00	0.20
SU36-28-5.8TS-L-P	36.00	28.00	5.80	6.30	28.00	5.00	0.20
SU36-28-6TS-P	36.00	28.00	6.00	7.00	28.00	5.00	0.20
SU36-28-6TS-L-P	36.00	28.00	6.00	7.00	28.00	5.00	0.20
SU36-28-7TS-P	36.00	28.00	7.00	8.00	28.00	5.00	0.20
SU36-28-8TS-P	36.00	28.00	8.00	9.00	28.00	5.00	0.20
SU36-28-8TS-L-P	36.00	28.00	8.00	9.00	28.00	5.00	0.20
SU37-27-5.8TS-L-P	37.00	27.00	5.80	6.30	27.00	5.00	0.30
SU38-25-10TS-P	38.00	25.00	10.00	11.00	25.00	5.00	0.30
SU38-28-5.8TS-L-P	38.00	28.00	5.80	6.30	28.00	5.00	0.30
SU38-28-7TS-P	38.00	28.00	7.00	8.00	28.00	5.00	0.30
SU38-28-7TS-L-P	38.00	28.00	7.00	8.00	28.00	5.00	0.30
SU38-30-5.8TS-P	38.00	30.00	5.80	6.30	30.00	5.00	0.20
SU38-30-5.8TS-L-P	38.00	30.00	5.80	6.30	30.00	5.00	0.20
SU38-30-6TS-P	38.00	30.00	6.00	7.00	30.00	5.00	0.20
SU38-30-6TS-L-P	38.00	30.00	6.00	7.00	30.00	5.00	0.20
SU38-30-7TS-L-P	38.00	30.00	7.00	8.00	30.00	5.00	0.20

195 * Nominal Dimensions

Fluid **Power**

The Hydraulic Seal Specialists

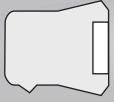
SU-TS-P & SU-TS-L-PMetric **S**ingle Acting **U**-seal **TS** Style with or without Secondary **L**ip in **P**olyurethane

Part Number	*ØD1	*Ød1	H	*L1	*ØG	min	max
						C	R1
SU38-30-8TS-P	38.00	30.00	8.00	9.00	30.00	5.00	0.20
SU38-30-8TS-L-P	38.00	30.00	8.00	9.00	30.00	5.00	0.20
SU40-30-6.5TS-L-P	40.00	30.00	6.50	7.50	30.00	5.00	0.30
SU40-30-7TS-P	40.00	30.00	7.00	8.00	30.00	5.00	0.30
SU40-30-10TS-P	40.00	30.00	10.00	11.00	30.00	5.00	0.30
SU40-30-10TS-L-P	40.00	30.00	10.00	11.00	30.00	5.00	0.30
SU40-32-5.8TS-P	40.00	32.00	5.80	6.30	32.00	5.00	0.20
SU40-32-5.8TS-L-P	40.00	32.00	5.80	6.30	32.00	5.00	0.20
SU40-32-6TS-P	40.00	32.00	6.00	7.00	32.00	5.00	0.20
SU40-32-6TS-L-P	40.00	32.00	6.00	7.00	32.00	5.00	0.20
SU40-32-6.7TS-L-P	40.00	32.00	6.70	7.70	32.00	5.00	0.20
SU40-32-8TS-P	40.00	32.00	8.00	9.00	32.00	5.00	0.20
SU40-32-8TS-L-P	40.00	32.00	8.00	9.00	32.00	5.00	0.20
SU41.35-30-7.5TS-P	41.35	30.00	7.50	8.50	30.00	5.00	0.30
SU41.5-32-7.8TS-L-P	41.50	32.00	7.80	8.80	32.00	5.00	0.20
SU42-32-7TS-P	42.00	32.00	7.00	8.00	32.00	5.00	0.30
SU42-32-7TS-L-P	42.00	32.00	7.00	8.00	32.00	5.00	0.30
SU42-32-8TS-L-P	42.00	32.00	8.00	9.00	32.00	5.00	0.30
SU42-32-10TS-P	42.00	32.00	10.00	11.00	32.00	5.00	0.30
SU42-32-10TS-L-P	42.00	32.00	10.00	11.00	32.00	5.00	0.30
SU42.5-32-8TS-L-P	42.50	32.00	8.00	9.00	32.00	5.00	0.30
SU43-30-10TS-P	43.00	30.00	10.00	11.00	30.00	5.00	0.30
SU43-35-5.8TS-L-P	43.00	35.00	5.80	6.30	35.00	5.00	0.20
SU43-35-6TS-P	43.00	35.00	6.00	7.00	35.00	5.00	0.20
SU43-35-6TS-L-P	43.00	35.00	6.00	7.00	35.00	5.00	0.20
SU43-35-8TS-P	43.00	35.00	8.00	9.00	35.00	5.00	0.20
SU43-35-8TS-L-P	43.00	35.00	8.00	9.00	35.00	5.00	0.20
SU44-35-7TS-L-P	44.00	35.00	7.00	8.00	35.00	5.00	0.30
SU44-36-5.3TS-L-P	44.00	36.00	5.30	6.30	36.00	5.00	0.20
SU44-36-5.8TS-P	44.00	36.00	5.80	6.30	36.00	5.00	0.20
SU44-36-5.8TS-L-P	44.00	36.00	5.80	6.30	36.00	5.00	0.20
SU44-36-6TS-P	44.00	36.00	6.00	7.00	36.00	5.00	0.20
SU44-36-7TS-P	44.00	36.00	7.00	8.00	36.00	5.00	0.20
SU44-36-8TS-P	44.00	36.00	8.00	9.00	36.00	5.00	0.20
SU44-36-8TS-L-P	44.00	36.00	8.00	9.00	36.00	5.00	0.20
SU45-35-5.8TS-L-P	45.00	35.00	5.80	6.30	35.00	5.00	0.30
SU45-35-7TS-P	45.00	35.00	7.00	8.00	35.00	5.00	0.30
SU45-35-7TS-L-P	45.00	35.00	7.00	8.00	35.00	5.00	0.30
SU45-35-8.5TS-P	45.00	35.00	8.50	9.50	35.00	5.00	0.30
SU45-35-10TS-P	45.00	35.00	10.00	11.00	35.00	5.00	0.30

* Nominal Dimensions

Fluid **Power**

The Hydraulic Seal Specialists



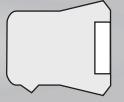
SU-TS-P & SU-TS-L-P

Metric **S**ingle Acting **U**-seal **TS** Style with or without Secondary **L**ip in **P**olyurethane

Part Number	*ØD1	*Ød1	H	*L1	*ØG	min	max
						C	R1
SU45-35-10TS-L-P	45.00	35.00	10.00	11.00	35.00	5.00	0.30
SU45-35-12.5TS-L-P	45.00	35.00	12.50	13.50	35.00	5.00	0.30
SU45-38-6TS-P	45.00	38.00	6.00	7.00	38.00	5.00	0.20
SU45-38-6TS-L-P	45.00	38.00	6.00	7.00	38.00	5.00	0.20
SU46-36-7TS-P	46.00	36.00	7.00	8.00	36.00	5.00	0.30
SU46-36-7TS-L-P	46.00	36.00	7.00	8.00	36.00	5.00	0.30
SU46-36-10TS-P	46.00	36.00	10.00	11.00	36.00	5.00	0.30
SU46-36-10TS-L-P	46.00	36.00	10.00	11.00	36.00	5.00	0.30
SU47-32-10TS-L-P	47.00	32.00	10.00	11.00	32.00	5.00	0.30
SU48-40-5.4TS-L-P	48.00	40.00	5.40	6.40	40.00	5.00	0.20
SU48-40-5.8TS-P	48.00	40.00	5.80	6.30	40.00	5.00	0.20
SU48-40-5.8TS-L-P	48.00	40.00	5.80	6.30	40.00	5.00	0.20
SU48-40-6TS-P	48.00	40.00	6.00	7.00	40.00	5.00	0.20
SU48-40-6.5TS-L-P	48.00	40.00	6.50	7.50	40.00	5.00	0.20
SU48-40-8TS-P	48.00	40.00	8.00	9.00	40.00	5.00	0.20
SU48-40-8TS-L-P	48.00	40.00	8.00	9.00	40.00	5.00	0.20
SU49.5-40-9.5TS-L-P	49.50	40.00	9.50	10.50	40.00	5.00	0.20
SU50-35-10TS-L-P	50.00	35.00	10.00	11.00	35.00	5.00	0.30
SU50-38-8.5TS-L-P	50.00	38.00	8.50	9.50	38.00	5.00	0.30
SU50-40-6TS-P	50.00	40.00	6.00	7.00	40.00	5.00	0.30
SU50-40-7TS-P	50.00	40.00	7.00	8.00	40.00	5.00	0.30
SU50-40-7TS-L-P	50.00	40.00	7.00	8.00	40.00	5.00	0.30
SU50-40-10TS-P	50.00	40.00	10.00	11.00	40.00	5.00	0.30
SU50-40-10TS-L-P	50.00	40.00	10.00	11.00	40.00	5.00	0.30
SU50-42-6TS-P	50.00	42.00	6.00	7.00	42.00	5.00	0.30
SU52-42-8TS-L-P	52.00	42.00	8.00	9.00	42.00	5.00	0.30
SU52-42-8.5TS-P	52.00	42.00	8.50	9.50	42.00	5.00	0.30
SU52-45-10TS-L-P	52.00	45.00	10.00	11.00	45.00	5.00	0.20
SU53-42-9TS-P	53.00	42.00	9.00	10.00	42.00	5.00	0.30
SU53-42-9TS-L-P	53.00	42.00	9.00	10.00	42.00	5.00	0.30
SU53-45-5.3TS-L-P	53.00	45.00	5.30	6.30	45.00	5.00	0.20
SU53-45-5.8TS-P	53.00	45.00	5.80	6.30	45.00	5.00	0.20
SU53-45-5.8TS-L-P	53.00	45.00	5.80	6.30	45.00	5.00	0.20
SU53-45-6TS-L-P	53.00	45.00	6.00	7.00	45.00	5.00	0.20
SU53-45-6.3TS-L-P	53.00	45.00	6.30	7.30	45.00	5.00	0.20
SU53-45-8TS-P	53.00	45.00	8.00	9.00	45.00	5.00	0.20
SU53-45-8TS-L-P	53.00	45.00	8.00	9.00	45.00	5.00	0.20
SU53-45-10TS-P	53.00	45.00	10.00	11.00	45.00	5.00	0.20
SU54-46-7.5TS-L-P	54.00	46.00	7.50	8.50	46.00	5.00	0.20
SU54-46-8TS-L-P	54.00	46.00	8.00	9.00	46.00	5.00	0.20

Fluid **Power**

The Hydraulic Seal Specialists

SU-TS-P & SU-TS-L-PMetric **S**ingle Acting **U**-seal **TS** Style with or without Secondary **L**ip in **P**olyurethane

Part Number	*ØD1	*Ød1	H	*L1	*ØG	min	max
						C	R1
SU54.3-45-8TS-L-P	54.30	45.00	8.00	9.00	45.00	5.00	0.30
SU55-40-10TS-L-P	55.00	40.00	10.00	11.00	40.00	5.00	0.30
SU55-45-5.8TS-L-P	55.00	45.00	5.80	6.30	45.00	5.00	0.30
SU55-45-7TS-P	55.00	45.00	7.00	8.00	45.00	5.00	0.30
SU55-45-7TS-L-P	55.00	45.00	7.00	8.00	45.00	5.00	0.30
SU55-45-10TS-P	55.00	45.00	10.00	11.00	45.00	5.00	0.30
SU55-45-10TS-L-P	55.00	45.00	10.00	11.00	45.00	5.00	0.30
SU55-47-8TS-P	55.00	47.00	8.00	9.00	47.00	5.00	0.20
SU57-45-9TS-L-P	57.00	45.00	9.00	10.00	45.00	5.00	0.30
SU57.7-45-9.5TS-L-P	57.70	45.00	9.50	10.50	45.00	5.00	0.30
SU58-50-5.3TS-L-P	58.00	50.00	5.30	6.30	50.00	5.00	0.20
SU58-50-5.7TS-P	58.00	50.00	5.70	6.30	50.00	5.00	0.20
SU58-50-8TS-P	58.00	50.00	8.00	9.00	50.00	5.00	0.20
SU58-50-8TS-L-P	58.00	50.00	8.00	9.00	50.00	5.00	0.20
SU60-40-10TS-L-P	60.00	40.00	10.00	11.00	40.00	5.00	0.30
SU60-48-6TS-L-P	60.00	48.00	6.00	7.00	48.00	5.00	0.30
SU60-50-7TS-P	60.00	50.00	7.00	8.00	50.00	5.00	0.30
SU60-50-7TS-L-P	60.00	50.00	7.00	8.00	50.00	5.00	0.30
SU60-50-9TS-L-P	60.00	50.00	9.00	10.00	50.00	5.00	0.30
SU60-50-10TS-P	60.00	50.00	10.00	11.00	50.00	5.00	0.30
SU60-50-10TS-L-P	60.00	50.00	10.00	11.00	50.00	5.00	0.30
SU60-52-5.5TS-P	60.00	52.00	5.50	6.50	52.00	5.00	0.20
SU62-50-8TS-P	62.00	50.00	8.00	9.00	50.00	5.00	0.30
SU62-50-8TS-L-P	62.00	50.00	8.00	9.00	50.00	5.00	0.30
SU62-50-10TS-P	62.00	50.00	10.00	11.00	50.00	5.00	0.30
SU62-50-10TS-L-P	62.00	50.00	10.00	11.00	50.00	5.00	0.30
SU62.7-50-9.5TS-L-P	62.70	50.00	9.50	10.50	50.00	5.00	0.30
SU63-55-8TS-P	63.00	55.00	8.00	9.00	55.00	5.00	0.20
SU63-55-8TS-L-P	63.00	55.00	8.00	9.00	55.00	5.00	0.20
SU64-56-8TS-L-P	64.00	56.00	8.00	9.00	56.00	5.00	0.20
SU65-50-10TS-P	65.00	50.00	10.00	11.00	50.00	5.00	0.30
SU65-50-10TS-L-P	65.00	50.00	10.00	11.00	50.00	5.00	0.30
SU65-50-11.5TS-L-P	65.00	50.00	11.50	12.50	50.00	5.00	0.30
SU65-55-7TS-L-P	65.00	55.00	7.00	8.00	55.00	5.00	0.30
SU65-55-7.5TS-P	65.00	55.00	7.50	8.50	55.00	5.00	0.30
SU65-55-10TS-P	65.00	55.00	10.00	11.00	55.00	5.00	0.30
SU65-55-10TS-L-P	65.00	55.00	10.00	11.00	55.00	5.00	0.30
SU65-55-12TS-P	65.00	55.00	12.00	13.00	55.00	5.00	0.30
SU65-55-12TS-L-P	65.00	55.00	12.00	13.00	55.00	5.00	0.30
SU65.3-49.5-10TS-L-P	65.30	49.50	10.00	11.00	49.50	5.00	0.30

* Nominal Dimensions

Fluid **Power**

The Hydraulic Seal Specialists



SU-TS-P & SU-TS-L-P

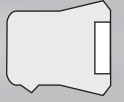
Metric **S**ingle Acting **U**-seal **TS** Style with or without Secondary **L**ip in **P**olyurethane

Part Number	*ØD1	*Ød1	H	*L1	*ØG	min	max
						C	R1
SU66-56-6.5TS-P	66.00	56.00	6.50	7.50	56.00	5.00	0.30
SU66-56-6.5TS-L-P	66.00	56.00	6.50	7.50	56.00	5.00	0.30
SU66-56-10TS-P	66.00	56.00	10.00	11.00	56.00	5.00	0.30
SU66-56-10TS-L-P	66.00	56.00	10.00	11.00	56.00	5.00	0.30
SU66-60-5.8TS-P	66.00	60.00	5.80	6.30	60.00	5.00	0.20
SU68-60-6.3TS-L-P	68.00	60.00	6.30	7.30	60.00	5.00	0.20
SU68-60-8TS-P	68.00	60.00	8.00	9.00	60.00	5.00	0.20
SU68-60-8TS-L-P	68.00	60.00	8.00	9.00	60.00	5.00	0.20
SU68-60-11.5TS-L-P	68.00	60.00	11.50	12.50	60.00	5.00	0.20
SU68-60-13TS-P	68.00	60.00	13.00	14.00	60.00	5.00	0.20
SU69-61-7.5TS-L-P	69.00	61.00	7.50	8.50	61.00	5.00	0.20
SU69-61-8TS-P	69.00	61.00	8.00	9.00	61.00	5.00	0.20
SU69-61-8TS-L-P	69.00	61.00	8.00	9.00	61.00	5.00	0.20
SU69.3-60-8TS-L-P	69.30	60.00	8.00	9.00	60.00	5.00	0.20
SU69.7-61-8TS-L-P	69.70	61.00	8.00	9.00	61.00	5.00	0.20
SU70-50-13.5TS-L-P	70.00	50.00	13.50	14.50	50.00	5.00	0.30
SU70-55-9.5TS-L-P	70.00	55.00	9.50	10.50	55.00	5.00	0.30
SU70-60-7TS-L-P	70.00	60.00	7.00	8.00	60.00	5.00	0.30
SU70-60-7.5TS-P	70.00	60.00	7.50	8.50	60.00	5.00	0.30
SU70-60-10TS-L-P	70.00	60.00	10.00	11.00	60.00	5.00	0.30
SU70-60-11.5TS-L-P	70.00	60.00	11.50	12.50	60.00	5.00	0.30
SU70-60-12TS-P	70.00	60.00	12.00	13.00	60.00	5.00	0.30
SU70-60-12TS-L-P	70.00	60.00	12.00	13.00	60.00	5.00	0.30
SU71-56-9.5TS-L-P	71.00	56.00	9.50	10.50	56.00	5.00	0.30
SU71-56-11.4TS-P	71.00	56.00	11.40	12.50	56.00	5.00	0.30
SU71-56-11.5TS-L-P	71.00	56.00	11.50	12.50	56.00	5.00	0.30
SU71-63-8TS-P	71.00	63.00	8.00	9.00	63.00	5.00	0.20
SU71-63-8TS-L-P	71.00	63.00	8.00	9.00	63.00	5.00	0.20
SU72-60-9TS-P	72.00	60.00	9.00	10.00	60.00	5.00	0.30
SU72-60-9TS-L-P	72.00	60.00	9.00	10.00	60.00	5.00	0.30
SU72-60-10TS-P	72.00	60.00	10.00	11.00	60.00	5.00	0.30
SU72-64-8TS-P	72.00	64.00	8.00	9.00	64.00	5.00	0.20
SU73-63-10TS-L-P	73.00	63.00	10.00	11.00	63.00	5.00	0.30
SU73-65-8TS-P	73.00	65.00	8.00	9.00	65.00	5.00	0.20
SU73-65-8TS-L-P	73.00	65.00	8.00	9.00	65.00	5.00	0.20
SU75-60-10TS-L-P	75.00	60.00	10.00	11.00	60.00	5.00	0.30
SU75-60-15TS-P	75.00	60.00	15.00	16.00	60.00	5.00	0.30
SU75-63-8.5TS-L-P	75.00	63.00	8.50	9.50	63.00	5.00	0.30
SU75-63-10TS-P	75.00	63.00	10.00	11.00	63.00	5.00	0.30
SU75-63-10TS-L-P	75.00	63.00	10.00	11.00	63.00	5.00	0.30

Fluid Power

The Hydraulic Seal Specialists

SU-TS-P & SU-TS-L-P

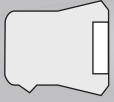
Metric **S**ingle Acting **U**-seal **TS** Style with or without Secondary **L**ip in **P**olyurethane

Part Number	*ØD1	*Ød1	H	*L1	*ØG	min	max
						C	R1
SU75-65-12TS-L-P	75.00	65.00	12.00	13.00	65.00	5.00	0.30
SU75-65-12.5TS-L-P	75.00	65.00	12.50	13.50	65.00	5.00	0.30
SU76-68-8TS-P	76.00	68.00	8.00	9.00	68.00	5.00	0.20
SU76-68-8TS-L-P	76.00	68.00	8.00	9.00	68.00	5.00	0.20
SU77-65-8.5TS-L-P	77.00	65.00	8.50	9.50	65.00	5.00	0.30
SU77-65-9TS-P	77.00	65.00	9.00	10.00	65.00	5.00	0.30
SU77.5-69.5-8TS-P	77.50	69.50	8.00	9.00	69.50	5.00	0.20
SU77.7-65-9.5TS-L-P	77.70	65.00	9.50	10.50	65.00	5.00	0.30
SU78-63-11.4TS-P	78.00	63.00	11.40	12.50	63.00	5.00	0.30
SU78-63-11.5TS-L-P	78.00	63.00	11.50	12.50	63.00	5.00	0.30
SU78-70-8TS-L-P	78.00	70.00	8.00	9.00	70.00	5.00	0.20
SU78-72-6TS-P	78.00	72.00	6.00	7.00	72.00	5.00	0.20
SU78.3-69-8TS-L-P	78.30	69.00	8.00	9.00	69.00	5.00	0.20
SU79-71-8TS-P	79.00	71.00	8.00	9.00	71.00	5.00	0.20
SU79.2-65-11.5TS-L-P	79.20	65.00	11.50	12.50	65.00	5.00	0.30
SU80-66-10TS-P	80.00	66.00	10.00	11.00	66.00	5.00	0.30
SU80-68-10TS-P	80.00	68.00	10.00	11.00	68.00	5.00	0.30
SU80-70-6.5TS-P	80.00	70.00	6.50	7.50	70.00	5.00	0.30
SU80-70-7TS-P	80.00	70.00	7.00	8.00	70.00	5.00	0.30
SU80-70-7TS-L-P	80.00	70.00	7.00	8.00	70.00	5.00	0.30
SU80-70-10TS-P	80.00	70.00	10.00	11.00	70.00	5.00	0.30
SU80-70-10TS-L-P	80.00	70.00	10.00	11.00	70.00	5.00	0.30
SU80-70-12TS-P	80.00	70.00	12.00	13.00	70.00	5.00	0.30
SU80-70-12TS-L-P	80.00	70.00	12.00	13.00	70.00	5.00	0.30
SU80-73-8TS-P	80.00	73.00	8.00	9.00	73.00	5.00	0.20
SU82-70-9TS-P	82.00	70.00	9.00	10.00	70.00	5.00	0.30
SU82-70-9TS-L-P	82.00	70.00	9.00	10.00	70.00	5.00	0.30
SU82.4-73-7TS-L-P	82.40	73.00	7.00	8.00	73.00	5.00	0.20
SU83-75-6.3TS-L-P	83.00	75.00	6.30	7.30	75.00	5.00	0.20
SU83-75-8TS-P	83.00	75.00	8.00	9.00	75.00	5.00	0.20
SU83-75-8TS-L-P	83.00	75.00	8.00	9.00	75.00	5.00	0.20
SU84-76-7.5TS-L-P	84.00	76.00	7.50	8.50	76.00	5.00	0.20
SU84-76-8TS-L-P	84.00	76.00	8.00	9.00	76.00	5.00	0.20
SU85-70-11TS-L-P	85.00	70.00	11.00	12.00	70.00	5.00	0.30
SU85-70-11.4TS-P	85.00	70.00	11.40	12.50	70.00	5.00	0.30
SU85-70-11.5TS-L-P	85.00	70.00	11.50	12.50	70.00	5.00	0.30
SU85-75-7TS-L-P	85.00	75.00	7.00	8.00	75.00	5.00	0.30
SU85-75-7.2TS-P	85.00	75.00	7.20	8.00	75.00	5.00	0.30
SU85-75-12TS-P	85.00	75.00	12.00	13.00	75.00	5.00	0.30
SU85-75-12TS-L-P	85.00	75.00	12.00	13.00	75.00	5.00	0.30

* Nominal Dimensions

Fluid **Power**

The Hydraulic Seal Specialists



SU-TS-P & SU-TS-L-P

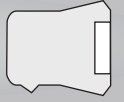
Metric **S**ingle Acting **U**-seal **TS** Style with or without Secondary **L**ip in **P**olyurethane

Part Number	*ØD1	*Ød1	H	*L1	*ØG	min	max
						C	R1
SU85.3-76-8TS-L-P	85.30	76.00	8.00	9.00	76.00	5.00	0.20
SU85.5-75.5-8TS-P	85.50	75.50	8.00	9.00	75.50	5.00	0.30
SU86-78-13TS-P	86.00	78.00	13.00	14.00	78.00	5.00	0.20
SU87-75-9TS-P	87.00	75.00	9.00	10.00	75.00	5.00	0.30
SU87.7-79-8TS-L-P	87.70	79.00	8.00	9.00	79.00	5.00	0.20
SU88-80-8TS-P	88.00	80.00	8.00	9.00	80.00	5.00	0.20
SU88-80-8TS-L-P	88.00	80.00	8.00	9.00	80.00	5.00	0.20
SU88-80-11.5TS-L-P	88.00	80.00	11.50	12.50	80.00	5.00	0.20
SU89-80-10TS-L-P	89.00	80.00	10.00	11.00	80.00	5.00	0.20
SU89-81-8TS-P	89.00	81.00	8.00	9.00	81.00	5.00	0.20
SU89.5-80-11.5TS-L-P	89.50	80.00	11.50	12.50	80.00	5.00	0.30
SU90-75-10.5TS-L-P	90.00	75.00	10.50	11.50	75.00	5.00	0.30
SU90-80-7.2TS-L-P	90.00	80.00	7.20	8.00	80.00	5.00	0.30
SU90-80-10TS-P	90.00	80.00	10.00	11.00	80.00	5.00	0.30
SU90-80-12TS-P	90.00	80.00	12.00	13.00	80.00	5.00	0.30
SU90-80-12TS-L-P	90.00	80.00	12.00	13.00	80.00	5.00	0.30
SU91.2-76.2-12TS-L-P	91.20	76.20	12.00	13.00	76.20	5.00	0.30
SU92-80-9TS-P	92.00	80.00	9.00	10.00	80.00	5.00	0.30
SU92-80-9TS-L-P	92.00	80.00	9.00	10.00	80.00	5.00	0.30
SU92-86-6TS-P	92.00	86.00	6.00	7.00	86.00	5.00	0.20
SU93-78-10.5TS-P	93.00	78.00	10.50	11.50	78.00	5.00	0.30
SU93-85-6.5TS-L-P	93.00	85.00	6.50	7.50	85.00	5.00	0.20
SU93-85-11.5TS-L-P	93.00	85.00	11.50	12.50	85.00	5.00	0.20
SU94-85-15TS-P	94.00	85.00	15.00	16.00	85.00	5.00	0.20
SU95-80-11TS-L-P	95.00	80.00	11.00	12.00	80.00	5.00	0.30
SU95-80-11.4TS-P	95.00	80.00	11.40	12.50	80.00	5.00	0.30
SU95-80-11.5TS-L-P	95.00	80.00	11.50	12.50	80.00	5.00	0.30
SU95-85-7TS-P	95.00	85.00	7.00	8.00	85.00	5.00	0.30
SU95-85-7TS-L-P	95.00	85.00	7.00	8.00	85.00	5.00	0.30
SU95-85-12TS-L-P	95.00	85.00	12.00	13.00	85.00	5.00	0.30
SU95-87-8TS-P	95.00	87.00	8.00	9.00	87.00	5.00	0.20
SU95-87-8TS-L-P	95.00	87.00	8.00	9.00	87.00	5.00	0.20
SU96-80-9.5TS-L-P	96.00	80.00	9.50	10.50	80.00	5.00	0.30
SU96-88-7.5TS-L-P	96.00	88.00	7.50	8.50	88.00	5.00	0.20
SU96-88-8TS-P	96.00	88.00	8.00	9.00	88.00	5.00	0.20
SU96-88-8TS-L-P	96.00	88.00	8.00	9.00	88.00	5.00	0.20
SU96-90-4.8TS-P	96.00	90.00	4.80	5.50	90.00	5.00	0.20
SU97-85-8.5TS-L-P	97.00	85.00	8.50	9.50	85.00	5.00	0.30
SU97-85-9TS-P	97.00	85.00	9.00	10.00	85.00	5.00	0.30
SU97-85-9TS-L-P	97.00	85.00	9.00	10.00	85.00	5.00	0.30

Fluid Power

The Hydraulic Seal Specialists

SU-TS-P & SU-TS-L-P

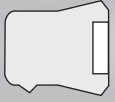
Metric **S**ingle Acting **U**-seal **TS** Style with or without Secondary **L**ip in **P**olyurethane

Part Number	*ØD1	*Ød1	H	*L1	*ØG	min	max
						C	R1
SU97.3-88-8TS-L-P	97.30	88.00	8.00	9.00	88.00	5.00	0.20
SU97.5-82.5-12TS-L-P	97.50	82.50	12.00	13.00	82.50	5.00	0.30
SU98-90-6.3TS-L-P	98.00	90.00	6.30	7.30	90.00	5.00	0.20
SU98-90-8TS-P	98.00	90.00	8.00	9.00	90.00	5.00	0.20
SU98-90-8TS-L-P	98.00	90.00	8.00	9.00	90.00	5.00	0.20
SU99-91-7.5TS-L-P	99.00	91.00	7.50	8.50	91.00	5.00	0.20
SU99-91-8TS-L-P	99.00	91.00	8.00	9.00	91.00	5.00	0.20
SU100-90-6.5TS-P	100.00	90.00	6.50	7.50	90.00	5.00	0.30
SU100-92-6.3TS-L-P	100.00	92.00	6.30	7.30	92.00	7.00	0.20
SU101-86-12TS-L-P	101.00	86.00	12.00	13.00	86.00	7.00	0.30
SU101.3-92-8TS-L-P	101.30	92.00	8.00	9.00	92.00	7.00	0.20
SU102-90-9TS-P	102.00	90.00	9.00	10.00	90.00	7.00	0.30
SU102-90-9TS-L-P	102.00	90.00	9.00	10.00	90.00	7.00	0.30
SU103-95-8TS-L-P	103.00	95.00	8.00	9.00	95.00	7.00	0.30
SU104-95-10TS-L-P	104.00	95.00	10.00	11.00	95.00	7.00	0.20
SU105-90-11.4TS-P	105.00	90.00	11.40	12.50	90.00	7.00	0.30
SU105-90-11.5TS-L-P	105.00	90.00	11.50	12.50	90.00	7.00	0.30
SU105-97-8TS-P	105.00	97.00	8.00	9.00	97.00	7.00	0.20
SU105-97-13TS-L-P	105.00	97.00	13.00	14.00	97.00	7.00	0.20
SU106.7-98-8TS-L-P	106.70	98.00	8.00	9.00	98.00	7.00	0.20
SU107.5-98-11.5TS-L-P	107.50	98.00	11.50	12.50	98.00	7.00	0.20
SU108-100-8TS-P	108.00	100.00	8.00	9.00	100.00	7.00	0.20
SU108-100-8TS-L-P	108.00	100.00	8.00	9.00	100.00	7.00	0.20
SU108-100-11.5TS-P	108.00	100.00	11.50	12.50	100.00	7.00	0.20
SU108-100-11.5TS-L-P	108.00	100.00	11.50	12.50	100.00	7.00	0.20
SU110-90-14TS-L-P	110.00	90.00	14.00	15.00	90.00	7.00	0.30
SU111-103-10TS-P	111.00	103.00	10.00	11.00	103.00	7.00	0.20
SU112-95-11.5TS-P	112.00	95.00	11.50	12.50	95.00	7.00	0.30
SU113-105-6.3TS-L-P	113.00	105.00	6.30	7.30	105.00	7.00	0.20
SU113-105-6.5TS-P	113.00	105.00	6.50	7.50	105.00	7.00	0.20
SU115-100-11.5TS-L-P	115.00	100.00	11.50	12.50	100.00	7.00	0.30
SU115-100-12TS-L-P	115.00	100.00	12.00	13.00	100.00	7.00	0.30
SU115-107-8TS-P	115.00	107.00	8.00	9.00	107.00	7.00	0.20
SU115-107-8TS-L-P	115.00	107.00	8.00	9.00	107.00	7.00	0.20
SU116-108-8TS-L-P	116.00	108.00	8.00	9.00	108.00	7.00	0.20
SU116.3-107-8TS-L-P	116.30	107.00	8.00	9.00	107.00	7.00	0.20
SU117.3-108-8TS-L-P	117.30	108.00	8.00	9.00	108.00	7.00	0.20
SU118-106-10TS-P	118.00	106.00	10.00	11.00	106.00	7.00	0.30
SU118-110-6.3TS-L-P	118.00	110.00	6.30	7.30	110.00	7.00	0.20
SU119-110-10TS-L-P	119.00	110.00	10.00	11.00	110.00	7.00	0.20

* Nominal Dimensions

Fluid **Power**

The Hydraulic Seal Specialists



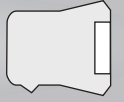
SU-TS-P & SU-TS-L-P

Metric **S**ingle Acting **U**-seal **TS** Style with or without Secondary **L**ip in **P**olyurethane

Part Number	*ØD1	*Ød1	H	*L1	*ØG	min	max
						C	R1
SU120-100-14.5TS-P	120.00	100.00	14.50	16.00	100.00	7.00	0.30
SU123-115-8TS-L-P	123.00	115.00	8.00	9.00	115.00	7.00	0.20
SU124-115-15TS-P	124.00	115.00	15.00	16.00	115.00	7.00	0.20
SU124.7-116-8TS-L-P	124.70	116.00	8.00	9.00	116.00	7.00	0.20
SU125-110-11TS-L-P	125.00	110.00	11.00	12.00	110.00	7.00	0.30
SU125.5-116-11.5TS-L-P	125.50	116.00	11.50	12.50	116.00	7.00	0.30
SU126-118-13TS-P	126.00	118.00	13.00	14.00	118.00	7.00	0.30
SU127-112-12TS-L-P	127.00	112.00	12.00	13.00	112.00	7.00	0.30
SU127.4-114-14.6TS-P	127.40	114.00	14.60	16.00	114.00	7.00	0.30
SU128-120-6.3TS-L-P	128.00	120.00	6.30	7.30	120.00	7.00	0.20
SU128-120-11.5TS-L-P	128.00	120.00	11.50	12.50	120.00	7.00	0.20
SU130-110-14.5TS-P	130.00	110.00	14.50	16.00	110.00	7.00	0.30
SU130-120-10TS-P	130.00	120.00	10.00	11.00	120.00	7.00	0.30
SU130-122-8TS-P	130.00	122.00	8.00	9.00	122.00	7.00	0.20
SU133-125-6.5TS-P	133.00	125.00	6.50	7.50	125.00	7.00	0.20
SU134-126-7.5TS-L-P	134.00	126.00	7.50	8.50	126.00	7.00	0.20
SU134-126-8TS-P	134.00	126.00	8.00	9.00	126.00	7.00	0.20
SU134-126-8TS-L-P	134.00	126.00	8.00	9.00	126.00	7.00	0.20
SU135-120-15TS-P	135.00	120.00	15.00	16.00	120.00	7.00	0.30
SU135.3-126-8TS-L-P	135.30	126.00	8.00	9.00	126.00	7.00	0.20
SU138-130-6.3TS-L-P	138.00	130.00	6.30	7.30	130.00	7.00	0.20
SU140-120-12TS-L-P	140.00	120.00	12.00	13.00	120.00	7.00	0.30
SU143.7-135-8TS-L-P	143.70	135.00	8.00	9.00	135.00	7.00	0.20
SU145-125-14.5TS-P	145.00	125.00	14.50	16.00	125.00	7.00	0.30
SU145-130-15TS-L-P	145.00	130.00	15.00	16.00	130.00	7.00	0.30
SU147-134-12TS-L-P	147.00	134.00	12.00	13.00	134.00	7.00	0.30
SU150-130-12TS-L-P	150.00	130.00	12.00	13.00	130.00	7.00	0.30
SU150-135-11.5TS-L-P	150.00	135.00	11.50	12.50	135.00	7.00	0.30
SU150-140-11.5TS-L-P	150.00	140.00	11.50	12.50	140.00	7.00	0.30
SU151-143-13TS-P	151.00	143.00	13.00	14.00	143.00	7.00	0.20
SU152-137-12TS-L-P	152.00	137.00	12.00	13.00	137.00	7.00	0.30
SU153-145-6.5TS-P	153.00	145.00	6.50	7.50	145.00	7.00	0.20
SU153-145-7.5TS-L-P	153.00	145.00	7.50	8.50	145.00	7.00	0.20
SU153-145-8TS-P	153.00	145.00	8.00	9.00	145.00	7.00	0.20
SU153-145-8TS-L-P	153.00	145.00	8.00	9.00	145.00	7.00	0.20
SU154.3-145-8TS-L-P	154.30	145.00	8.00	9.00	145.00	7.00	0.30
SU155-130-15TS-L-P	155.00	130.00	15.00	16.00	130.00	7.00	0.30
SU155-140-9.6TS-P	155.00	140.00	9.60	10.60	140.00	7.00	0.30
SU155.5-140-5.8TS-P	155.50	140.00	5.80	6.30	140.00	7.00	0.30
SU156-146-10TS-L-P	156.00	146.00	10.00	11.00	146.00	7.00	0.30

Fluid **Power**

The Hydraulic Seal Specialists

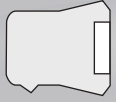
SU-TS-P & SU-TS-L-PMetric **S**ingle Acting **U**-seal **TS** Style with or without Secondary **L**ip in **P**olyurethane

Part Number	*ØD1	*Ød1	H	*L1	*ØG	min	max
						C	R1
SU160-140-11.5TS-L-P	160.00	140.00	11.50	12.50	140.00	7.00	0.30
SU160-140-14.5TS-P	160.00	140.00	14.50	16.00	140.00	7.00	0.30
SU162.7-154-8TS-L-P	162.70	154.00	8.00	9.00	154.00	7.00	0.20
SU164-154.5-11.5TS-L-P	164.00	154.50	11.50	12.50	154.50	7.00	0.30
SU170-150-12TS-L-P	170.00	150.00	12.00	13.00	150.00	7.00	0.30
SU174.3-165-8TS-L-P	174.30	165.00	8.00	9.00	165.00	7.00	0.30
SU176.3-167-8TS-L-P	176.30	167.00	8.00	9.00	167.00	7.00	0.30
SU178-163-12TS-L-P	178.00	163.00	12.00	13.00	163.00	7.00	0.30
SU180-170-10TS-L-P	180.00	170.00	10.00	11.00	170.00	7.00	0.30
SU182.7-174-8TS-L-P	182.70	174.00	8.00	9.00	174.00	7.00	0.20
SU184.5-175-11.5TS-L-P	184.50	175.00	11.50	12.50	175.00	7.00	0.30
SU185-160-18.2TS-P	185.00	160.00	18.20	20.00	160.00	7.00	0.30
SU196.3-187-8TS-L-P	196.30	187.00	8.00	9.00	187.00	7.00	0.30
SU200-180-12TS-L-P	200.00	180.00	12.00	13.00	180.00	7.00	0.30
SU203-188-12TS-L-P	203.00	188.00	12.00	13.00	188.00	7.00	0.30
SU204.7-196-8TS-L-P	204.70	196.00	8.00	9.00	196.00	7.00	0.20
SU205-180-18.2TS-P	205.00	180.00	18.20	20.00	180.00	7.00	0.30
SU206.5-197-11.5TS-L-P	206.50	197.00	11.50	12.50	197.00	7.00	0.30
SU208-188-16TS-P	208.00	188.00	16.00	17.50	188.00	7.00	0.30
SU209-197-12TS-L-P	209.00	197.00	12.00	13.00	197.00	7.00	0.30
SU210-190-12TS-L-P	210.00	190.00	12.00	13.00	190.00	7.00	0.30
SU219.3-210-8TS-L-P	219.30	210.00	8.00	9.00	210.00	7.00	0.30
SU230-210-15TS-L-P	230.00	210.00	15.00	16.00	210.00	7.00	0.30
SU230.2-221.5-12TS-L-P	230.20	221.50	12.00	13.00	221.50	7.00	0.20
SU237-218-16TS-L-P	237.00	218.00	16.00	17.00	218.00	7.00	0.30
SU240-228-12TS-L-P	240.00	228.00	12.00	13.00	228.00	7.00	0.30
SU250-220-22.7TS-P	250.00	220.00	22.70	25.00	220.00	7.00	0.30
SU257.7-249-12TS-L-P	257.70	249.00	12.00	13.00	249.00	7.00	0.20
SU287.7-279-12TS-L-P	287.70	279.00	12.00	13.00	279.00	7.00	0.20
SU300-270-22.5TS-P	300.00	270.00	22.50	25.00	270.00	7.00	0.30

* Nominal Dimensions

Fluid **Power**

The Hydraulic Seal Specialists



SU-TS-P & SU-TS-L-P

Imperial **S**ingle Acting **U**-seal **TS** Style with or without Secondary **L**ip in **P**olyurethane

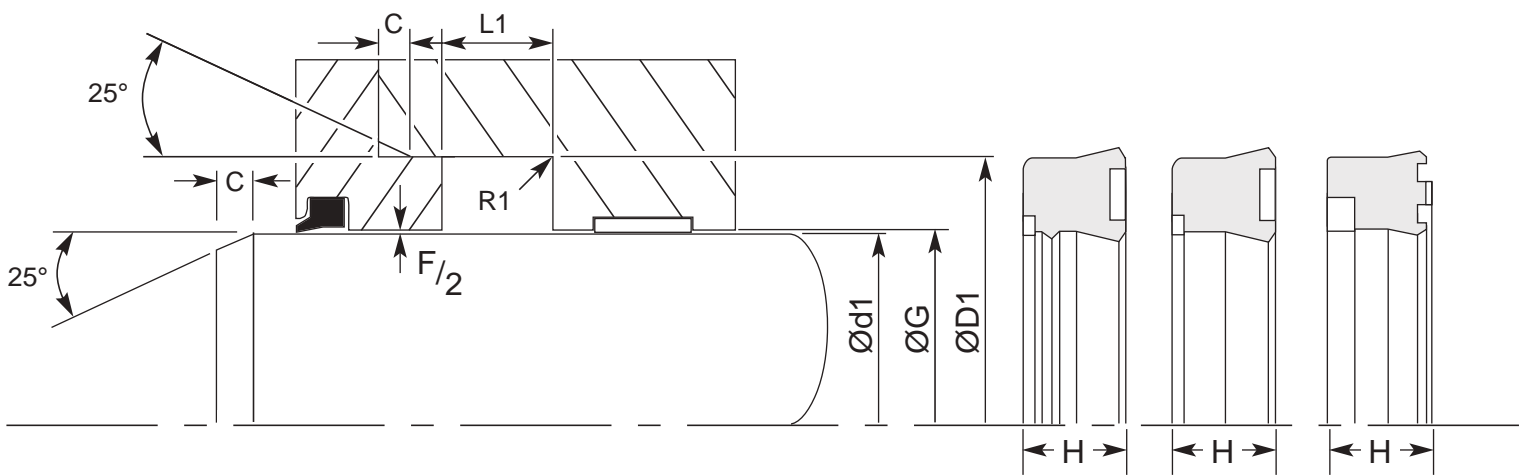
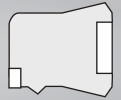
Part Number	*ØD1	*Ød1	H	*L1	*ØG	min	max
						C	R1
SU056025-023TS-L-P	0.562	0.250	0.236	0.275	0.250	0.200	0.008
SU131100-022TS-L-P	1.312	1.000	0.224	0.250	1.000	0.200	0.008
SU262225-037TS-L-P	2.625	2.250	0.375	0.413	2.250	0.200	0.012
SU275225-037TS-L-P	2.750	2.250	0.375	0.413	2.250	0.200	0.012
SU300250-037TS-L-P	3.000	2.500	0.375	0.413	2.500	0.200	0.012
SU300262-037TS-L-P	3.000	2.625	0.375	0.413	2.625	0.200	0.008
SU325275-037TS-L-P	3.250	2.750	0.375	0.413	2.750	0.200	0.012
SU350300-037TS-L-P	3.500	3.000	0.375	0.413	3.000	0.200	0.012
SU350312-037TS-L-P	3.500	3.125	0.375	0.413	3.125	0.200	0.008
SU400350-037TS-L-P	4.000	3.500	0.375	0.413	3.500	0.200	0.012
SU450400-037TS-L-P	4.500	4.000	0.375	0.413	4.000	0.250	0.012

Fluid Power

The Hydraulic Seal Specialists

SU-TS-EI-P & SU-TS-EI-L-P

Metric **S**ingle Acting **U**-seal **TS** Style with **E**xtrusion Ring **I**nternal with or without
Secondary **L**ip in **P**olyurethane



Maximum Diametrical Clearance F

Pressure	Bar	100	200	300	400
Maximum Gap	mm	0.75	0.60	0.48	0.40

Tolerances

ØD1	Ød1	L1	OG
H10	f7	+0.25/-0.00	H9

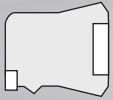
Operating Conditions

Max Speed	Temp Range
m/s	-30° to 100°C
0.50	250 Bar
0.15	400 Bar

SU-TS-EI-P & SU-TS-EI-L-P are asymmetrical seals specifically designed for rod applications. Manufactured in a high performance Polyurethane for excellent abrasion and extrusion resistance. Features include a secondary inner lip on SU-TS-EI-L-P the which reduces leakage, friction and increases stability. Both profiles benefit from a polyacetal anti-extrusion ring that allows the seal to operate at higher pressures or where there are large clearances. The sealing effect of the SU-TS-EI-P & SU-TS-EI-L-P is obtained due to the lip pre-compression when installed and the pressure effect on the lips.

Fluid **Power**

The Hydraulic Seal Specialists



SU-TS-EI-P & SU-TS-EI-L-P

Metric **S**ingle Acting **U**-seal **TS** Style with **E**xtrusion Ring **I**nternal with or without
Secondary **L**ip in **P**olyurethane

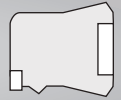
Part Number	*ØD1	*Ød1	H	*L1	*ØG	min	max
						C	R1
SU36-25-5TS-EI-P	36.00	25.00	5.00	6.00	25.00	5.00	0.30
SU38-30-5.8TS-EI-P	38.00	30.00	5.80	6.30	30.00	5.00	0.20
SU45-32-9.5TS-EI-L-P	45.00	32.00	9.50	10.50	32.00	5.00	0.30
SU46-36-7TS-EI-L-P	46.00	36.00	7.00	8.00	36.00	5.00	0.30
SU48-40-8TS-EI-L-P	48.00	40.00	8.00	9.00	40.00	5.00	0.20
SU50-40-8TS-EI-L-P	50.00	40.00	8.00	8.00	40.00	5.00	0.30
SU50-40-10TS-EI-L-P	50.00	40.00	10.00	11.00	40.00	5.00	0.30
SU52-40-10TS-EI-L-P	52.00	40.00	10.00	11.00	40.00	5.00	0.30
SU52-40-17TS-EI-L-P	52.00	40.00	17.00	18.00	40.00	5.00	0.30
SU53-45-9.5TS-EI-L-P	53.00	45.00	9.50	10.50	45.00	5.00	0.20
SU55-40-7.5TS-EI-L-P	55.00	40.00	7.50	8.50	40.00	5.00	0.30
SU55-40-10TS-EI-L-P	55.00	40.00	10.00	11.00	40.00	5.00	0.30
SU55-45-8TS-EI-L-P	55.00	45.00	8.00	8.00	45.00	5.00	0.30
SU55-45-10TS-EI-L-P	55.00	45.00	10.00	11.00	45.00	5.00	0.30
SU57-36-5TS-EI-P	57.00	36.00	5.00	6.00	36.00	5.00	0.30
SU60-45-10TS-EI-L-P	60.00	45.00	10.00	11.00	45.00	5.00	0.30
SU60-50-10TS-EI-L-P	60.00	50.00	10.00	11.00	50.00	5.00	0.30
SU65-50-10TS-EI-L-P	65.00	50.00	10.00	11.00	50.00	5.00	0.30
SU65-50-12.5TS-EI-L-P	65.00	50.00	12.50	12.50	50.00	5.00	0.30
SU65-55-10TS-EI-P	65.00	55.00	10.00	11.00	55.00	5.00	0.30
SU65-55-10TS-EI-L-P	65.00	55.00	10.00	11.00	55.00	5.00	0.30
SU70-50-12TS-EI-L-P	70.00	50.00	12.00	13.00	50.00	5.00	0.30
SU70-55-8.5TS-EI-P	70.00	55.00	8.50	9.50	55.00	5.00	0.30
SU70-60-12TS-EI-P	70.00	60.00	12.00	13.00	60.00	5.00	0.30
SU70-60-12.5TS-EI-L-P	70.00	60.00	12.50	13.50	60.00	5.00	0.30
SU71-56-8.5TS-EI-P	71.00	56.00	8.50	9.50	56.00	5.00	0.30
SU71-56-11.5TS-EI-L-P	71.00	56.00	11.50	12.50	56.00	5.00	0.30
SU75-60-8.5TS-EI-P	75.00	60.00	8.50	9.50	60.00	5.00	0.30
SU75-60-12TS-EI-L-P	75.00	60.00	12.00	13.00	60.00	5.00	0.30
SU75-63-12TS-EI-L-P	75.00	63.00	12.00	13.00	63.00	5.00	0.30
SU75-65-12TS-EI-L-P	75.00	65.00	12.00	13.00	65.00	5.00	0.30
SU75.1-60-6.1TS-EI-P	75.10	60.00	6.10	6.30	60.00	5.00	0.30
SU78-63-11.5TS-EI-L-P	78.00	63.00	11.50	12.50	63.00	5.00	0.30
SU78.1-63-6.1TS-EI-P	78.10	63.00	6.10	6.30	63.00	5.00	0.30
SU80-60-12TS-EI-L-P	80.00	60.00	12.00	13.00	60.00	5.00	0.30
SU80-65-11.5TS-EI-L-P	80.00	65.00	11.50	12.50	65.00	5.00	0.30
SU80-70-12TS-EI-P	80.00	70.00	12.00	13.00	70.00	5.00	0.30
SU80.5-65-6.1TS-EI-L-P	80.50	65.00	6.10	6.30	65.00	5.00	0.30
SU83-63-12TS-EI-L-P	83.00	63.00	12.00	13.00	63.00	5.00	0.30
SU83-63-13.5TS-EI-L-P	83.00	63.00	13.50	14.50	63.00	5.00	0.30

Fluid **Power**

The Hydraulic Seal Specialists

SU-TS-EI-P & SU-TS-EI-L-P

Metric **S**ingle Acting **U**-seal **TS** Style with **E**xtrusion Ring **I**nternal with or without
Secondary **L**ip in **P**olyurethane

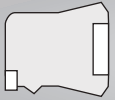


Part Number	*ØD1	*Ød1	H	*L1	*ØG	min	max
						C	R1
SU85-70-8.5TS-EI-P	85.00	70.00	8.50	9.50	70.00	5.00	0.30
SU85-70-12TS-EI-L-P	85.00	70.00	12.00	13.00	70.00	5.00	0.30
SU85-70-12.5TS-EI-L-P	85.00	70.00	12.50	12.50	70.00	5.00	0.30
SU85-75-12TS-EI-L-P	85.00	75.00	12.00	13.00	75.00	5.00	0.30
SU85.1-70-6.1TS-EI-P	85.10	70.00	6.10	6.30	70.00	5.00	0.30
SU85.5-70-6.1TS-EI-P	85.50	70.00	6.10	6.30	70.00	5.00	0.30
SU88-80-9TS-EI-L-P	88.00	80.00	9.00	10.00	80.00	5.00	0.20
SU90-70-12TS-EI-L-P	90.00	70.00	12.00	13.00	70.00	5.00	0.30
SU90-70-13.5TS-EI-L-P	90.00	70.00	13.50	14.50	70.00	5.00	0.30
SU90-75-8.5TS-EI-P	90.00	75.00	8.50	9.50	75.00	5.00	0.30
SU90-75-12TS-EI-L-P	90.00	75.00	12.00	13.00	75.00	5.00	0.30
SU90-75-13TS-EI-L-P	90.00	75.00	13.00	13.00	75.00	5.00	0.30
SU90.5-75-6.1TS-EI-P	90.50	75.00	6.10	6.30	75.00	5.00	0.30
SU95-75-13.5TS-EI-L-P	95.00	75.00	13.50	14.50	75.00	5.00	0.30
SU95-80-8.5TS-EI-P	95.00	80.00	8.50	9.50	80.00	5.00	0.30
SU95-80-11.5TS-EI-L-P	95.00	80.00	11.50	12.50	80.00	5.00	0.30
SU95-80-12TS-EI-L-P	95.00	80.00	12.00	13.00	80.00	5.00	0.30
SU95.1-80-6.1TS-EI-P	95.10	80.00	6.10	6.30	80.00	5.00	0.30
SU95.5-80-6.1TS-EI-P	95.50	80.00	6.10	6.30	80.00	5.00	0.30
SU96-80-9.5TS-EI-L-P	96.00	80.00	9.50	10.50	80.00	5.00	0.30
SU100-80-11.5TS-EI-L-P	100.00	80.00	11.50	12.50	80.00	5.00	0.30
SU100-80-13.5TS-EI-L-P	100.00	80.00	13.50	14.50	80.00	5.00	0.30
SU100-85-13TS-EI-L-P	100.00	85.00	13.00	13.00	85.00	5.00	0.30
SU100.5-85-6.1TS-EI-P	100.50	85.00	6.10	6.30	85.00	5.00	0.30
SU105-85-12TS-EI-L-P	105.00	85.00	12.00	13.00	85.00	5.00	0.30
SU105-85-13.5TS-EI-L-P	105.00	85.00	13.50	14.50	85.00	5.00	0.30
SU105-90-8.5TS-EI-P	105.00	90.00	8.50	9.50	90.00	5.00	0.30
SU105-90-8.5TS-EI-L-P	105.00	90.00	8.50	9.50	90.00	5.00	0.30
SU105-90-12TS-EI-L-P	105.00	90.00	12.00	13.00	90.00	5.00	0.30
SU110-90-11.5TS-EI-L-P	110.00	90.00	11.50	12.50	90.00	5.00	0.30
SU110-90-12TS-EI-L-P	110.00	90.00	12.00	13.00	90.00	5.00	0.30
SU110-95-13TS-EI-L-P	110.00	95.00	13.00	13.00	95.00	5.00	0.30
SU110-100-12.5TS-EI-L-P	110.00	100.00	12.50	13.50	100.00	5.00	0.30
SU110.5-95-6.1TS-EI-P	110.50	95.00	6.10	6.30	95.00	5.00	0.30
SU113-100-12.5TS-EI-L-P	113.00	100.00	12.50	13.50	100.00	5.00	0.30
SU115-95-13.5TS-EI-L-P	115.00	95.00	13.50	14.50	95.00	5.00	0.30
SU115.5-100-6.1TS-EI-P	115.50	100.00	6.10	6.30	100.00	5.00	0.30
SU120-100-11.4TS-EI-P	120.00	100.00	11.40	12.50	100.00	5.00	0.30
SU120-100-13.5TS-EI-L-P	120.00	100.00	13.50	14.50	100.00	5.00	0.30
SU120-100-16TS-EI-L-P	120.00	100.00	16.00	16.00	100.00	5.00	0.30

* Nominal Dimensions

Fluid Power

The Hydraulic Seal Specialists



SU-TS-EI-P & SU-TS-EI-L-P

Metric **S**ingle Acting **U**-seal **TS** Style with **E**xtrusion Ring **I**nternal with or without
Secondary **L**ip in **P**olyurethane

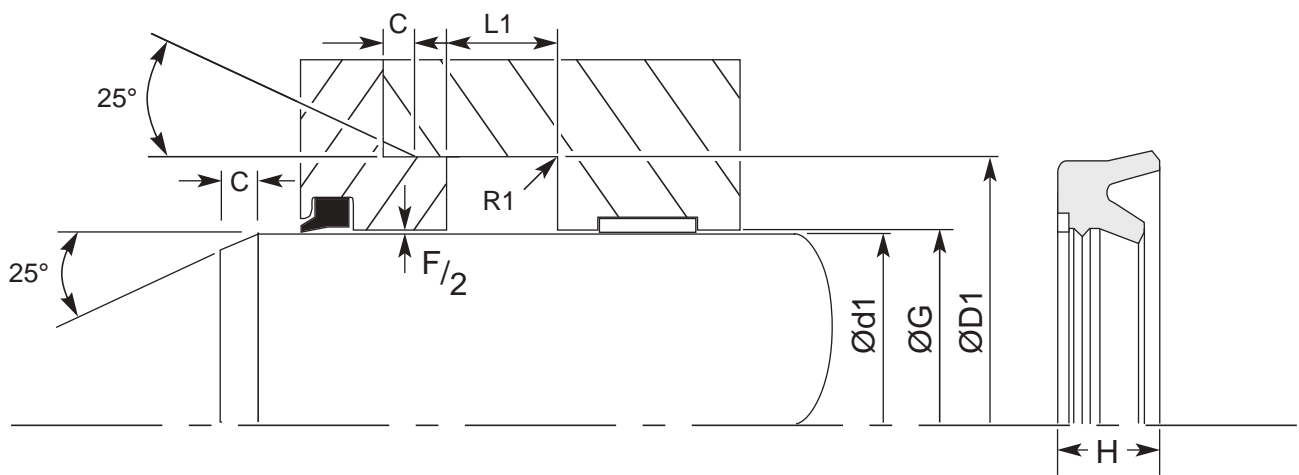
Part Number	*ØD1	*Ød1	H	*L1	*ØG	min	max
						C	R1
SU120-110-13.5TS-EI-L-P	120.00	110.00	13.50	14.50	110.00	5.00	0.30
SU125-105-12TS-EI-L-P	125.00	105.00	12.00	13.00	105.00	5.00	0.30
SU125-110-12TS-EI-L-P	125.00	110.00	12.00	13.00	110.00	5.00	0.30
SU125.5-110-6.1TS-EI-L-P	125.50	110.00	6.10	6.30	110.00	5.00	0.30
SU130-110-11.4TS-EI-P	130.00	110.00	11.40	12.50	110.00	5.00	0.30
SU130-110-11.5TS-EI-L-P	130.00	110.00	11.50	12.50	110.00	5.00	0.30
SU130-110-12TS-EI-L-P	130.00	110.00	12.00	13.00	110.00	5.00	0.30
SU130-110-16TS-EI-L-P	130.00	110.00	16.00	16.00	110.00	5.00	0.30
SU130-115-13TS-EI-L-P	130.00	115.00	13.00	13.00	115.00	5.00	0.30
SU130-115-16TS-EI-L-P	130.00	115.00	16.00	17.00	115.00	5.00	0.30
SU135-120-11.5TS-EI-L-P	135.00	120.00	11.50	12.50	120.00	5.00	0.30
SU135-120-16TS-EI-L-P	135.00	120.00	16.00	16.00	120.00	5.00	0.30
SU140-120-11.4TS-EI-P	140.00	120.00	11.40	12.50	120.00	5.00	0.30
SU140-120-11.5TS-EI-L-P	140.00	120.00	11.50	12.50	120.00	5.00	0.30
SU140-127-12.5TS-EI-L-P	140.00	127.00	12.50	13.50	127.00	5.00	0.30
SU145-125-16TS-EI-L-P	145.00	125.00	16.00	16.00	125.00	5.00	0.30
SU145-130-12TS-EI-L-P	145.00	130.00	12.00	13.00	130.00	5.00	0.30
SU150-130-14.5TS-EI-P	150.00	130.00	14.50	16.00	130.00	5.00	0.30
SU155-140-12TS-EI-L-P	155.00	140.00	12.00	13.00	140.00	5.00	0.30
SU160-140-14TS-EI-L-P	160.00	140.00	14.00	15.00	140.00	5.00	0.30
SU160-140-14.5TS-EI-P	160.00	140.00	14.50	16.00	140.00	5.00	0.30
SU160-140-16TS-EI-L-P	160.00	140.00	16.00	16.00	140.00	5.00	0.30
SU165-140-18TS-EI-L-P	165.00	140.00	18.00	19.00	140.00	5.00	0.30
SU170-150-14.5TS-EI-P	170.00	150.00	14.50	16.00	150.00	5.00	0.30
SU180-160-14.5TS-EI-P	180.00	160.00	14.50	16.00	160.00	5.00	0.30
SU185-160-18TS-EI-L-P	185.00	160.00	18.00	19.00	160.00	5.00	0.30
SU195-170-14.5TS-EI-P	195.00	170.00	14.50	16.00	170.00	5.00	0.30
SU205-180-14.5TS-EI-P	205.00	180.00	14.50	16.00	180.00	5.00	0.30
SU225-200-14.5TS-EI-P	225.00	200.00	14.50	16.00	200.00	5.00	0.30
SU250-220-18.2TS-EI-P	250.00	220.00	18.20	20.00	220.00	5.00	0.30
SU280-250-18.2TS-EI-P	280.00	250.00	18.20	20.00	250.00	5.00	0.30

Fluid Power

The Hydraulic Seal Specialists

SU-EI-L-P

Metric **S**ingle Acting **U**-seal with **E**xtrusion Ring **I**nternal and Secondary **L**ip in **P**olyurethane



Maximum Diametrical Clearance F

Pressure	Bar	100	200	300	400
Maximum Gap	mm	0.75	0.60	0.48	0.40

Tolerances

ØD1	Ød1	L1	ØG
H10	f7	+0.25/-0.00	H9

Operating Conditions

Max Speed	Temp Range
m/s	-30° to 100°C
0.50	250 Bar
0.15	400 Bar

SU-EI-L-P is an asymmetrical seal specifically designed for rod applications. Manufactured in a high performance Polyurethane for excellent abrasion and extrusion resistance. Features include a secondary inner lip which reduces leakage, friction and increases stability. It also benefits from a polyacetal anti-extrusion ring that allows the seal to operate at higher pressures or where there are large clearances. The sealing effect of the SU-EI-L-P is obtained due to the lip pre-compression when installed and the pressure effect on the lips.

Fluid Power

The Hydraulic Seal Specialists



SU-EI-L-P

Metric **S**ingle Acting **U**-seal with **E**xtrusion Ring **I**nternal and Secondary **L**ip in
Polyurethane

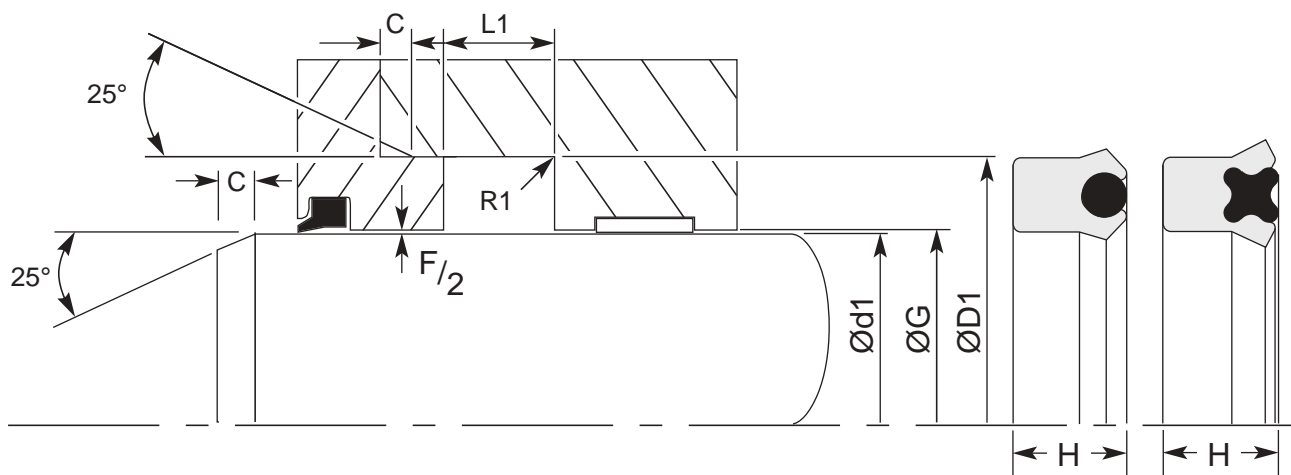
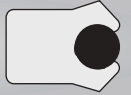
Part Number	*ØD1	*Ød1	H	*L1	*ØG	min	max
						C	R1
SU51-42-10EI-L-P	51.00	42.00	10.00	11.00	42.00	5.00	0.20
SU52-42-13EI-L-P	52.00	42.00	13.00	14.00	42.00	5.00	0.30
SU55-40-10EI-L-P	55.00	40.00	10.00	11.00	40.00	5.00	0.30
SU58-50-11.5EI-L-P	58.00	50.00	11.50	12.50	50.00	5.00	0.20
SU59-50-10EI-L-P	59.00	50.00	10.00	11.00	50.00	5.00	0.20
SU60-50-7.2EI-L-P	60.00	50.00	7.20	8.00	50.00	5.00	0.30
SU65-50-10EI-L-P	65.00	50.00	10.00	11.00	50.00	5.00	0.30
SU68-60-13EI-L-P	68.00	60.00	13.00	14.00	60.00	5.00	0.20
SU69-60-10EI-L-P	69.00	60.00	10.00	11.00	60.00	5.00	0.20
SU70-50-12EI-L-P	70.00	50.00	12.00	13.00	50.00	5.00	0.30
SU80-60-12EI-L-P	80.00	60.00	12.00	13.00	60.00	5.00	0.30
SU80-70-7.2EI-L-P	80.00	70.00	7.20	8.00	70.00	5.00	0.30
SU83-63-12EI-L-P	83.00	63.00	12.00	13.00	63.00	5.00	0.30
SU85-70-11.5EI-L-P	85.00	70.00	11.50	12.50	70.00	5.00	0.30
SU86-78-13EI-L-P	86.00	78.00	13.00	14.00	78.00	5.00	0.20
SU95-80-11.5EI-L-P	95.00	80.00	11.50	12.50	80.00	5.00	0.30
SU105-97-13EI-L-P	105.00	97.00	13.00	14.00	97.00	5.00	0.20
SU125-105-12EI-L-P	125.00	105.00	12.00	13.00	105.00	5.00	0.30
SU126-118-13EI-L-P	126.00	118.00	13.00	14.00	118.00	5.00	0.30
SU140-115-15EI-L-P	140.00	115.00	15.00	16.00	115.00	5.00	0.30
SU140-120-12EI-L-P	140.00	120.00	12.00	13.00	120.00	5.00	0.30
SU145-125-12EI-L-P	145.00	125.00	12.00	13.00	125.00	5.00	0.30
SU151-143-13EI-L-P	151.00	143.00	13.00	14.00	143.00	5.00	0.20
SU179-171-13EI-L-P	179.00	171.00	13.00	14.00	171.00	5.00	0.20

Fluid Power

The Hydraulic Seal Specialists

SU-EU-P

Metric **S**ingle Acting Rod or Piston **U**-Seal (**E**nergised **U**-Seal) in **P**olyurethane



Maximum Diametrical Clearance F

Pressure	Bar	100	200	300	400
Maximum Gap	mm	0.75	0.60	0.48	0.40

Tolerances

ØD1	Ød1	L1	ØG
+0.10 -0.00	f7	+0.25/-0.00	H9

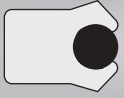
Operating Conditions

Max Speed	Temp Range
m/s	-30° to 100°C
0.50	250 Bar
0.15	400 Bar

SU-EU-P is a symmetrical seal suitable for both piston and rod applications. They are manufactured in a high performance Polyurethane which has a high abrasion resistance, a low compression set and a high resistance to extrusion. The Polyurethane properties and seal design give efficient fluid sealing, reduced friction values and low wear rate. The seal is preloaded by either an o-ring or a quad ring which enables the seal to work effectively under low pressure.

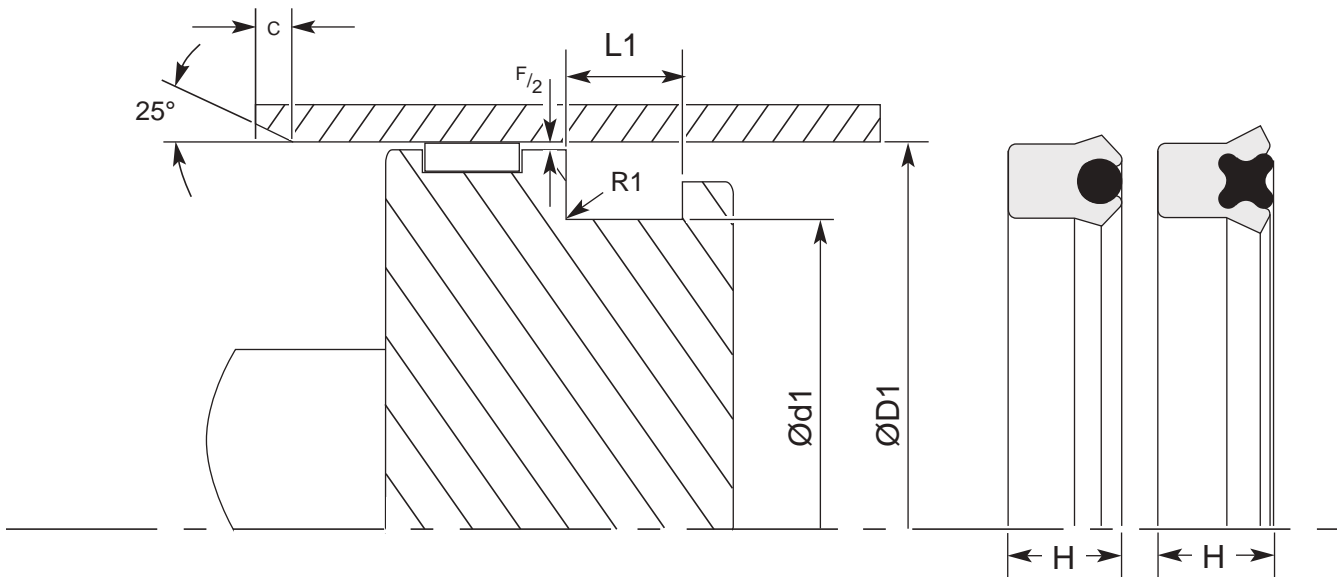
Fluid Power

The Hydraulic Seal Specialists



SU-EU-P

Metric **S**ingle Acting Rod or Piston **U**-Seal (**E**nergised **U**-Seal) in **P**olyurethane



Maximum Diametrical Clearance F

Pressure	Bar	100	200	300	400
Maximum Gap	mm	0.75	0.60	0.48	0.40

Tolerances

$\varnothing D1$	$\varnothing d1$	L1
H10	+0.10 -0.00	+0.25/-0.00

Operating Conditions

Max Speed	Temp Range
m/s	-30° to 100°C
0.50	250 Bar
0.15	400 Bar

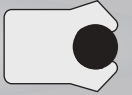
SU-EU-P is a symmetrical seal suitable for both piston and rod applications. They are manufactured in a high performance Polyurethane which has a high abrasion resistance, a low compression set and a high resistance to extrusion. The Polyurethane properties and seal design give efficient fluid sealing, reduced friction values and low wear rate. The seal is preloaded by either an o-ring or a quad ring which enables the seal to work effectively under low pressure.

Fluid Power

The Hydraulic Seal Specialists

SU-EU-P

Metric **S**ingle Acting Rod or Piston **U**-Seal (**E**nergised **U**-Seal) in **P**olyurethane

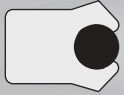


Part Number	*ØD1	*Ød1	H	*L1	*ØG	min	max
						C	R1
SU8.5-3-4EU-P	8.50	3.00	4.00	4.40	3.00	5.00	0.20
SU11-4.7-5EU-P	11.00	4.70	5.00	5.50	4.70	5.00	0.20
SU14-6-5.7EU-P	14.00	6.00	5.70	6.30	6.00	5.00	0.20
SU16-8-5.7EU-P	16.00	8.00	5.70	6.30	8.00	5.00	0.20
SU18-10-5.7EU-P	18.00	10.00	5.70	6.30	10.00	5.00	0.20
SU19-9-8EU-P	19.00	9.00	8.00	9.00	9.00	5.00	0.30
SU20-10-7.3EU-P	20.00	10.00	7.30	8.00	10.00	5.00	0.30
SU20-10-8EU-P	20.00	10.00	8.00	9.00	10.00	5.00	0.30
SU20-12-5.7EU-P	20.00	12.00	5.70	6.30	12.00	5.00	0.20
SU20-13-5EU-P	20.00	13.00	5.00	5.50	13.00	5.00	0.20
SU22-12-7.3EU-P	22.00	12.00	7.30	8.00	12.00	5.00	0.30
SU22-12-7.7EU-P	22.00	12.00	7.70	8.70	12.00	5.00	0.30
SU22-14-5EU-P	22.00	14.00	5.00	6.00	14.00	5.00	0.20
SU22-14-5.7EU-P	22.00	14.00	5.70	6.30	14.00	5.00	0.20
SU22.5-12.5-8EU-P	22.50	12.50	8.00	9.00	12.50	5.00	0.30
SU23-13-7.3EU-P	23.00	13.00	7.30	8.00	13.00	5.00	0.30
SU23-15-5.7EU-P	23.00	15.00	5.70	6.30	15.00	5.00	0.20
SU24-14-7.3EU-P	24.00	14.00	7.30	8.00	14.00	5.00	0.30
SU24-14-8EU-P	24.00	14.00	8.00	9.00	14.00	5.00	0.30
SU24-16-5EU-P	24.00	16.00	5.00	6.00	16.00	5.00	0.20
SU24-16-5.7EU-P	24.00	16.00	5.70	6.30	16.00	5.00	0.20
SU24-18-5EU-P	24.00	18.00	5.00	5.50	18.00	5.00	0.20
SU25-15-8EU-P	25.00	15.00	8.00	9.00	15.00	5.00	0.30
SU26-16-7.3EU-P	26.00	16.00	7.30	8.00	16.00	5.00	0.30
SU26-16-8EU-P	26.00	16.00	8.00	9.00	16.00	5.00	0.30
SU26-18-5EU-P	26.00	18.00	5.00	6.00	18.00	5.00	0.20
SU26-18-5.7EU-P	26.00	18.00	5.70	6.30	18.00	5.00	0.20
SU26-20-5EU-P	26.00	20.00	5.00	6.00	20.00	5.00	0.20
SU26.8-20.6-4.8EU-P	26.80	20.60	4.80	5.30	20.60	5.00	0.20
SU28-18-7.3EU-P	28.00	18.00	7.30	8.00	18.00	5.00	0.30
SU28-18-8EU-P	28.00	18.00	8.00	9.00	18.00	5.00	0.30
SU28-20-5EU-P	28.00	20.00	5.00	6.00	20.00	5.00	0.20
SU28-20-5.5EU-P	28.00	20.00	5.50	6.00	20.00	5.00	0.20
SU28-20-5.7EU-P	28.00	20.00	5.70	6.30	20.00	5.00	0.20
SU28-20-6.5EU-P	28.00	20.00	6.50	7.20	20.00	5.00	0.20
SU29-19-7.3EU-P	29.00	19.00	7.30	8.00	19.00	5.00	0.30
SU30-20-7.3EU-P	30.00	20.00	7.30	8.00	20.00	5.00	0.30
SU30-20-8EU-P	30.00	20.00	8.00	9.00	20.00	5.00	0.30
SU30-22-5.7EU-P	30.00	22.00	5.70	6.30	22.00	5.00	0.20
SU30-22.4-5EU-P	30.00	22.40	5.00	6.00	22.40	5.00	0.20

* Nominal Dimensions

Fluid Power

The Hydraulic Seal Specialists



SU-EU-P

Metric **S**ingle Acting Rod or Piston **U**-Seal (**E**nergised **U**-Seal) in **P**olyurethane

Part Number	*ØD1	*Ød1	H	*L1	*ØG	min	max
						C	R1
SU30-24-5EU-P	30.00	24.00	5.00	5.50	24.00	5.00	0.20
SU32-22-7.3EU-P	32.00	22.00	7.30	8.00	22.00	5.00	0.30
SU32-22-9EU-P	32.00	22.00	9.00	10.00	22.00	5.00	0.30
SU32-24-7EU-P	32.00	24.00	7.00	7.70	24.00	5.00	0.20
SU32.4-22.4-8EU-P	32.40	22.40	8.00	9.00	22.40	5.00	0.30
SU32.7-20-9.5EU-P	32.70	20.00	9.50	10.50	20.00	5.00	0.30
SU33-25-4.7EU-P	33.00	25.00	4.70	5.30	25.00	5.00	0.30
SU33-25-5EU-P	33.00	25.00	5.00	6.00	25.00	5.00	0.20
SU33-25-6EU-P	33.00	25.00	6.00	6.50	25.00	5.00	0.20
SU33-25-8EU-P	33.00	25.00	8.00	9.00	25.00	5.00	0.20
SU35-20-10EU-P	35.00	20.00	10.00	11.00	20.00	5.00	0.30
SU35-22-8EU-P	35.00	22.00	8.00	9.00	22.00	5.00	0.30
SU35-22-10EU-P	35.00	22.00	10.00	11.00	22.00	5.00	0.30
SU35-24-5.7EU-P	35.00	24.00	5.70	6.30	24.00	5.00	0.30
SU35-25-7EU-P	35.00	25.00	7.00	7.70	25.00	5.00	0.30
SU35-25-7.3EU-P	35.00	25.00	7.30	8.00	25.00	5.00	0.30
SU35-25-8EU-P	35.00	25.00	8.00	9.00	25.00	5.00	0.30
SU35-25-10EU-P	35.00	25.00	10.00	11.00	25.00	5.00	0.30
SU35-28-6.5EU-P	35.00	28.00	6.50	7.20	28.00	5.00	0.20
SU35.5-28-5EU-P	35.50	28.00	5.00	6.00	28.00	5.00	0.20
SU38-28-7.3EU-P	38.00	28.00	7.30	8.00	28.00	5.00	0.30
SU38-28-8EU-P	38.00	28.00	8.00	9.00	28.00	5.00	0.30
SU38-30-5.7EU-P	38.00	30.00	5.70	6.30	30.00	5.00	0.20
SU38-30-6.4EU-P	38.00	30.00	6.40	7.00	30.00	5.00	0.20
SU38-30-7EU-P	38.00	30.00	7.00	7.70	30.00	5.00	0.20
SU40-20-12EU-P	40.00	20.00	12.00	13.00	20.00	5.00	0.30
SU40-22-12EU-P	40.00	22.00	12.00	13.00	22.00	5.00	0.30
SU40-25-10EU-P	40.00	25.00	10.00	11.00	25.00	5.00	0.30
SU40-25-11EU-P	40.00	25.00	11.00	12.10	25.00	5.00	0.30
SU40-28-10EU-P	40.00	28.00	10.00	11.00	28.00	5.00	0.30
SU40-30-5.7EU-P	40.00	30.00	5.70	6.30	30.00	5.00	0.30
SU40-30-6EU-P	40.00	30.00	6.00	7.00	30.00	5.00	0.30
SU40-30-7EU-P	40.00	30.00	7.00	7.70	30.00	5.00	0.30
SU40-30-7.5EU-P	40.00	30.00	7.50	8.30	30.00	5.00	0.30
SU40-30-10EU-P	40.00	30.00	10.00	11.00	30.00	5.00	0.30
SU40-32-5.7EU-P	40.00	32.00	5.70	6.30	32.00	5.00	0.20
SU40-32-6EU-P	40.00	32.00	6.00	6.60	32.00	5.00	0.20
SU40-32-8EU-P	40.00	32.00	8.00	9.00	32.00	5.00	0.20
SU42-30-9EU-P	42.00	30.00	9.00	10.00	30.00	5.00	0.30
SU42-30-10EU-P	42.00	30.00	10.00	11.00	30.00	5.00	0.30

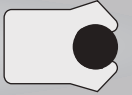
215 * Nominal Dimensions

Fluid Power

The Hydraulic Seal Specialists

SU-EU-P

Metric **S**ingle Acting Rod or Piston **U**-Seal (**E**nergised **U**-Seal) in **P**olyurethane

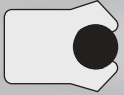


Part Number	*ØD1	*Ød1	H	*L1	*ØG	min	max
						C	R1
SU42-32-6.3EU-P	42.00	32.00	6.30	6.90	32.00	5.00	0.30
SU42-32-7.3EU-P	42.00	32.00	7.30	8.30	32.00	5.00	0.30
SU42-32-10EU-P	42.00	32.00	10.00	11.00	32.00	5.00	0.30
SU43-28-10EU-P	43.00	28.00	10.00	11.00	28.00	5.00	0.30
SU43-28-11.4EU-P	43.00	28.00	11.40	12.50	28.00	5.00	0.30
SU43-33-10EU-P	43.00	33.00	10.00	11.00	33.00	5.00	0.30
SU43-35-5.7EU-P	43.00	35.00	5.70	6.30	35.00	5.00	0.20
SU43-35-6.5EU-P	43.00	35.00	6.50	7.20	35.00	5.00	0.20
SU44-36-6EU-P	44.00	36.00	6.00	7.00	36.00	5.00	0.20
SU45-30-8EU-P	45.00	30.00	8.00	8.80	30.00	5.00	0.30
SU45-30-10EU-P	45.00	30.00	10.00	11.00	30.00	5.00	0.30
SU45-30-11.4EU-P	45.00	30.00	11.40	12.50	30.00	5.00	0.30
SU45-35-6EU-P	45.00	35.00	6.00	7.00	35.00	5.00	0.30
SU45-35-7EU-P	45.00	35.00	7.00	8.00	35.00	5.00	0.30
SU45-35-8EU-P	45.00	35.00	8.00	9.00	35.00	5.00	0.30
SU45-35-10EU-P	45.00	35.00	10.00	11.00	35.00	5.00	0.30
SU46-36-7.3EU-P	46.00	36.00	7.30	8.30	36.00	5.00	0.30
SU46-36-10EU-P	46.00	36.00	10.00	11.00	36.00	5.00	0.30
SU47-32-10EU-P	47.00	32.00	10.00	11.00	32.00	5.00	0.30
SU47-32-11.4EU-P	47.00	32.00	11.40	12.50	32.00	5.00	0.30
SU47-35-10EU-P	47.00	35.00	10.00	11.00	35.00	5.00	0.30
SU48-32-10EU-P	48.00	32.00	10.00	11.00	32.00	5.00	0.30
SU48-40-5.7EU-P	48.00	40.00	5.70	6.30	40.00	5.00	0.20
SU48-40-8EU-P	48.00	40.00	8.00	9.00	40.00	5.00	0.20
SU49.5-40-9.5EU-P	49.50	40.00	9.50	10.50	40.00	5.00	0.20
SU50-30-10EU-P	50.00	30.00	10.00	11.00	30.00	5.00	0.30
SU50-35-10EU-P	50.00	35.00	10.00	11.00	35.00	5.00	0.30
SU50-35-11.4EU-P	50.00	35.00	11.40	12.50	35.00	5.00	0.30
SU50-38-7EU-P	50.00	38.00	7.00	7.70	38.00	5.00	0.30
SU50-40-6EU-P	50.00	40.00	6.00	7.00	40.00	5.00	0.30
SU50-40-7EU-P	50.00	40.00	7.00	7.70	40.00	5.00	0.30
SU50-40-7.3EU-P	50.00	40.00	7.30	8.30	40.00	5.00	0.30
SU50-40-8EU-P	50.00	40.00	8.00	9.00	40.00	5.00	0.30
SU50-40-10EU-P	50.00	40.00	10.00	11.00	40.00	5.00	0.30
SU50-42-6.5EU-P	50.00	42.00	6.50	7.20	42.00	5.00	0.20
SU51-36-11.4EU-P	51.00	36.00	11.40	12.50	36.00	5.00	0.30
SU52-40-10EU-P	52.00	40.00	10.00	11.00	40.00	5.00	0.30
SU53-40-8EU-P	53.00	40.00	8.00	9.00	40.00	5.00	0.30
SU53-45-7.3EU-P	53.00	45.00	7.30	8.00	45.00	5.00	0.30
SU53-45-8EU-P	53.00	45.00	8.00	9.00	45.00	5.00	0.30

* Nominal Dimensions

Fluid Power

The Hydraulic Seal Specialists



SU-EU-P

Metric **S**ingle Acting Rod or Piston **U**-Seal (**E**nergised **U**-Seal) in **P**olyurethane

Part Number	*ØD1	*Ød1	H	*L1	*ØG	min	max
						C	R1
SU55-35-10EU-P	55.00	35.00	10.00	11.00	35.00	5.00	0.30
SU55-40-9EU-P	55.00	40.00	9.00	10.00	40.00	5.00	0.30
SU55-40-10EU-P	55.00	40.00	10.00	11.00	40.00	5.00	0.30
SU55-40-11.4EU-P	55.00	40.00	11.40	12.50	40.00	5.00	0.30
SU55-42-7EU-P	55.00	42.00	7.00	8.00	42.00	5.00	0.30
SU55-45-6EU-P	55.00	45.00	6.00	7.00	45.00	5.00	0.30
SU55-45-7EU-P	55.00	45.00	7.00	8.00	45.00	5.00	0.30
SU55-45-7.3EU-P	55.00	45.00	7.30	8.30	45.00	5.00	0.30
SU55-45-8EU-P	55.00	45.00	8.00	8.80	45.00	5.00	0.30
SU55-45-10EU-P	55.00	45.00	10.00	11.00	45.00	5.00	0.30
SU57.7-45-9.5EU-P	57.70	45.00	9.50	10.50	45.00	5.00	0.30
SU58-50-8EU-P	58.00	50.00	8.00	9.00	50.00	5.00	0.20
SU60-40-12EU-P	60.00	40.00	12.00	13.00	40.00	5.00	0.30
SU60-45-9EU-P	60.00	45.00	9.00	10.00	45.00	5.00	0.30
SU60-45-10EU-P	60.00	45.00	10.00	11.00	45.00	5.00	0.30
SU60-45-11.4EU-P	60.00	45.00	11.40	12.50	45.00	5.00	0.30
SU60-48-10EU-P	60.00	48.00	10.00	11.00	48.00	5.00	0.30
SU60-50-6EU-P	60.00	50.00	6.00	7.00	50.00	5.00	0.30
SU60-50-7.3EU-P	60.00	50.00	7.30	8.30	50.00	5.00	0.30
SU60-50-7.5EU-P	60.00	50.00	7.50	8.30	50.00	5.00	0.30
SU60-50-10EU-P	60.00	50.00	10.00	11.00	50.00	5.00	0.30
SU60-50-11.4EU-P	60.00	50.00	11.40	12.50	50.00	5.00	0.30
SU62-50-9.5EU-P	62.00	50.00	9.50	10.50	50.00	5.00	0.30
SU63-50-10EU-P	63.00	50.00	10.00	11.00	50.00	5.00	0.30
SU63-53-6EU-P	63.00	53.00	6.00	7.00	53.00	5.00	0.30
SU63-53-7.3EU-P	63.00	53.00	7.30	8.00	53.00	5.00	0.30
SU65-45-11.4EU-P	65.00	45.00	11.40	12.50	45.00	5.00	0.30
SU65-45-12EU-P	65.00	45.00	12.00	13.00	45.00	5.00	0.30
SU65-50-9EU-P	65.00	50.00	9.00	10.00	50.00	5.00	0.30
SU65-50-11.4EU-P	65.00	50.00	11.40	12.50	50.00	5.00	0.30
SU65-55-6EU-P	65.00	55.00	6.00	7.00	55.00	5.00	0.30
SU65-55-7.3EU-P	65.00	55.00	7.30	8.00	55.00	5.00	0.30
SU65-55-11EU-P	65.00	55.00	11.00	12.10	55.00	5.00	0.30
SU65-55-12EU-P	65.00	55.00	12.00	13.00	55.00	5.00	0.30
SU66-56-6EU-P	66.00	56.00	6.00	7.00	56.00	5.00	0.30
SU66-56-10EU-P	66.00	56.00	10.00	11.00	56.00	5.00	0.30
SU68-60-7EU-P	68.00	60.00	7.00	7.70	60.00	5.00	0.20
SU68-60-11.4EU-P	68.00	60.00	11.40	12.50	60.00	5.00	0.20
SU68-60-13EU-P	68.00	60.00	13.00	14.50	60.00	5.00	0.20
SU70-50-12EU-P	70.00	50.00	12.00	13.00	50.00	5.00	0.30

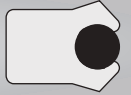
217 * Nominal Dimensions

Fluid Power

The Hydraulic Seal Specialists

SU-EU-P

Metric **S**ingle Acting Rod or Piston **U**-Seal (**E**nergised **U**-Seal) in **P**olyurethane

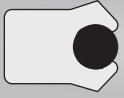


Part Number	*ØD1	*Ød1	H	*L1	*ØG	min	max
						C	R1
SU70-50-14.6EU-P	70.00	50.00	14.60	16.10	50.00	5.00	0.30
SU70-55-9EU-P	70.00	55.00	9.00	10.00	55.00	5.00	0.30
SU70-55-11EU-P	70.00	55.00	11.00	12.10	55.00	5.00	0.30
SU70-60-6EU-P	70.00	60.00	6.00	7.00	60.00	5.00	0.30
SU70-60-7.3EU-P	70.00	60.00	7.30	8.00	60.00	5.00	0.30
SU70-60-10EU-P	70.00	60.00	10.00	11.00	60.00	5.00	0.30
SU70-60-10.5EU-P	70.00	60.00	10.50	11.60	60.00	5.00	0.30
SU70-60-12EU-P	70.00	60.00	12.00	13.20	60.00	5.00	0.30
SU71-56-10EU-P	71.00	56.00	10.00	11.00	56.00	5.00	0.30
SU71-56-11.4EU-P	71.00	56.00	11.40	12.50	56.00	5.00	0.30
SU71-60-7EU-P	71.00	60.00	7.00	8.00	60.00	5.00	0.30
SU72-60-9EU-P	72.00	60.00	9.00	9.90	60.00	5.00	0.30
SU72-60-10EU-P	72.00	60.00	10.00	11.00	60.00	5.00	0.30
SU73-63-5.5EU-P	73.00	63.00	5.50	6.00	63.00	5.00	0.30
SU73-65-7EU-P	73.00	65.00	7.00	7.70	65.00	5.00	0.20
SU75-55-12EU-P	75.00	55.00	12.00	13.00	55.00	5.00	0.30
SU75-55-14.5EU-P	75.00	55.00	14.50	16.00	55.00	5.00	0.30
SU75-60-9EU-P	75.00	60.00	9.00	10.00	60.00	5.00	0.30
SU75-60-11.4EU-P	75.00	60.00	11.40	12.50	60.00	5.00	0.30
SU75-60-13.5EU-P	75.00	60.00	13.50	14.90	60.00	5.00	0.30
SU75-63-8EU-P	75.00	63.00	8.00	9.00	63.00	5.00	0.30
SU75-65-6EU-P	75.00	65.00	6.00	7.00	65.00	5.00	0.30
SU75-65-10EU-P	75.00	65.00	10.00	11.00	65.00	5.00	0.30
SU76-56-14.6EU-P	76.00	56.00	14.60	16.00	56.00	5.00	0.30
SU77-65-8.7EU-P	77.00	65.00	8.70	9.60	65.00	5.00	0.30
SU78-63-10.6EU-P	78.00	63.00	10.60	11.60	63.00	5.00	0.30
SU78-63-11.4EU-P	78.00	63.00	11.40	12.50	63.00	5.00	0.30
SU80-60-12EU-P	80.00	60.00	12.00	13.00	60.00	5.00	0.30
SU80-60-14EU-P	80.00	60.00	14.00	15.40	60.00	5.00	0.30
SU80-64-12EU-P	80.00	64.00	12.00	13.20	64.00	5.00	0.30
SU80-65-9EU-P	80.00	65.00	9.00	10.00	65.00	5.00	0.30
SU80-65-11.4EU-P	80.00	65.00	11.40	12.50	65.00	5.00	0.30
SU80-70-6EU-P	80.00	70.00	6.00	7.00	70.00	5.00	0.30
SU80-70-11.4EU-P	80.00	70.00	11.40	12.50	70.00	5.00	0.30
SU80-70-12EU-P	80.00	70.00	12.00	13.00	70.00	5.00	0.30
SU80-71-6EU-P	80.00	71.00	6.00	7.00	71.00	5.00	0.20
SU80-73-7EU-P	80.00	73.00	7.00	7.70	73.00	5.00	0.20
SU82-70-8.7EU-P	82.00	70.00	8.70	9.60	70.00	5.00	0.30
SU82-70-9.5EU-P	82.00	70.00	9.50	10.50	70.00	5.00	0.30
SU83-63-14.5EU-P	83.00	63.00	14.50	16.00	63.00	5.00	0.30

* Nominal Dimensions

Fluid Power

The Hydraulic Seal Specialists



SU-EU-P

Metric **S**ingle Acting Rod or Piston **U**-Seal (**E**nergised **U**-Seal) in **P**olyurethane

Part Number	*ØD1	*Ød1	H	*L1	*ØG	min	max
						C	R1
SU83-63-15EU-P	83.00	63.00	15.00	16.00	63.00	5.00	0.30
SU83-75-6.5EU-P	83.00	75.00	6.50	7.20	75.00	5.00	0.20
SU85-65-12EU-P	85.00	65.00	12.00	13.00	65.00	5.00	0.30
SU85-65-15EU-P	85.00	65.00	15.00	16.50	65.00	5.00	0.30
SU85-70-9EU-P	85.00	70.00	9.00	10.00	70.00	5.00	0.30
SU85-70-9.5EU-P	85.00	70.00	9.50	10.50	70.00	5.00	0.30
SU85-70-10EU-P	85.00	70.00	10.00	11.00	70.00	5.00	0.30
SU85-70-11.4EU-P	85.00	70.00	11.40	12.50	70.00	5.00	0.30
SU85-75-6EU-P	85.00	75.00	6.00	7.00	75.00	5.00	0.30
SU85-75-10.5EU-P	85.00	75.00	10.50	11.60	75.00	5.00	0.30
SU85-75-12EU-P	85.00	75.00	12.00	13.00	75.00	5.00	0.30
SU86-78-13EU-P	86.00	78.00	13.00	14.50	78.00	5.00	0.20
SU88-68-15EU-P	88.00	68.00	15.00	16.50	68.00	5.00	0.30
SU90-65-12EU-P	90.00	65.00	12.00	13.00	65.00	5.00	0.30
SU90-70-12EU-P	90.00	70.00	12.00	13.00	70.00	5.00	0.30
SU90-70-14.5EU-P	90.00	70.00	14.50	16.00	70.00	5.00	0.30
SU90-75-9EU-P	90.00	75.00	9.00	10.00	75.00	5.00	0.30
SU90-75-11.4EU-P	90.00	75.00	11.40	12.50	75.00	5.00	0.30
SU90-80-6EU-P	90.00	80.00	6.00	7.00	80.00	5.00	0.30
SU90-80-11.4EU-P	90.00	80.00	11.40	12.50	80.00	5.00	0.30
SU92-80-9EU-P	92.00	80.00	9.00	9.90	80.00	5.00	0.30
SU92-82-10EU-P	92.00	82.00	10.00	11.00	82.00	5.00	0.30
SU92.7-80-9.5EU-P	92.70	80.00	9.50	10.50	80.00	5.00	0.30
SU95-75-12EU-P	95.00	75.00	12.00	13.00	75.00	5.00	0.30
SU95-75-15EU-P	95.00	75.00	15.00	16.00	75.00	5.00	0.30
SU95-80-11.4EU-P	95.00	80.00	11.40	12.50	80.00	5.00	0.30
SU95-81-14.6EU-P	95.00	81.00	14.60	16.00	81.00	5.00	0.30
SU95-85-9.5EU-P	95.00	85.00	9.50	10.50	85.00	5.00	0.30
SU100-80-9.5EU-P	100.00	80.00	9.50	10.50	80.00	7.00	0.30
SU100-80-12EU-P	100.00	80.00	12.00	13.00	80.00	7.00	0.30
SU100-80-13.5EU-P	100.00	80.00	13.50	14.80	80.00	7.00	0.30
SU100-80-15EU-P	100.00	80.00	15.00	16.50	80.00	7.00	0.30
SU100-85-9EU-P	100.00	85.00	9.00	10.00	85.00	7.00	0.30
SU100-85-9.5EU-P	100.00	85.00	9.50	10.50	85.00	7.00	0.30
SU100-85-12EU-P	100.00	85.00	12.00	13.00	85.00	7.00	0.30
SU100-85-12.5EU-P	100.00	85.00	12.50	13.50	85.00	7.00	0.30
SU100-90-6EU-P	100.00	90.00	6.00	7.00	90.00	7.00	0.30
SU100-90-11.4EU-P	100.00	90.00	11.40	12.50	90.00	7.00	0.30
SU105-85-12EU-P	105.00	85.00	12.00	13.00	85.00	7.00	0.30
SU105-85-14.5EU-P	105.00	85.00	14.50	16.00	85.00	7.00	0.30

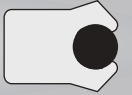
219 * Nominal Dimensions

Fluid Power

The Hydraulic Seal Specialists

SU-EU-P

Metric **S**ingle Acting Rod or Piston **U**-Seal (**E**nergised **U**-Seal) in **P**olyurethane

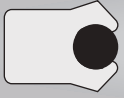


Part Number	*ØD1	*Ød1	H	*L1	*ØG	min	max
						C	R1
SU105-90-9EU-P	105.00	90.00	9.00	10.00	90.00	7.00	0.30
SU105-90-11.4EU-P	105.00	90.00	11.40	12.50	90.00	7.00	0.30
SU105-95-11.4EU-P	105.00	95.00	11.40	12.50	95.00	7.00	0.30
SU108-100-6.5EU-P	108.00	100.00	6.50	7.20	100.00	7.00	0.20
SU108-100-8EU-P	108.00	100.00	8.00	9.00	100.00	7.00	0.20
SU110-90-11.4EU-P	110.00	90.00	11.40	12.50	90.00	7.00	0.30
SU110-90-12EU-P	110.00	90.00	12.00	13.00	90.00	7.00	0.30
SU110-90-14.5EU-P	110.00	90.00	14.50	16.00	90.00	7.00	0.30
SU110-95-11.4EU-P	110.00	95.00	11.40	12.50	95.00	7.00	0.30
SU110-100-11.4EU-P	110.00	100.00	11.40	12.50	100.00	7.00	0.30
SU115-95-12EU-P	115.00	95.00	12.00	13.00	95.00	7.00	0.30
SU115-100-9EU-P	115.00	100.00	9.00	10.00	100.00	7.00	0.30
SU115-100-11EU-P	115.00	100.00	11.00	12.10	100.00	7.00	0.30
SU115-100-14.6EU-P	115.00	100.00	14.60	16.00	100.00	7.00	0.30
SU115-105-10EU-P	115.00	105.00	10.00	11.00	105.00	7.00	0.30
SU120-100-12EU-P	120.00	100.00	12.00	13.00	100.00	7.00	0.30
SU120-100-14.5EU-P	120.00	100.00	14.50	16.00	100.00	7.00	0.30
SU120-105-9EU-P	120.00	105.00	9.00	10.00	105.00	7.00	0.30
SU120-105-11.4EU-P	120.00	105.00	11.40	12.50	105.00	7.00	0.30
SU120-110-10.5EU-P	120.00	110.00	10.50	11.60	110.00	7.00	0.30
SU123-108-14.3EU-P	123.00	108.00	14.30	15.70	108.00	7.00	0.30
SU125-100-18.2EU-P	125.00	100.00	18.20	20.00	100.00	7.00	0.30
SU125-105-12EU-P	125.00	105.00	12.00	13.00	105.00	7.00	0.30
SU125-105-15EU-P	125.00	105.00	15.00	16.00	105.00	7.00	0.30
SU125-105-14.5EU-P	125.00	105.00	14.50	16.00	105.00	7.00	0.30
SU125-110-9EU-P	125.00	110.00	9.00	10.00	110.00	7.00	0.30
SU125-110-11.4EU-P	125.00	110.00	11.40	12.50	110.00	7.00	0.30
SU125-112-9EU-P	125.00	112.00	9.00	10.00	112.00	7.00	0.30
SU125-115-11.4EU-P	125.00	115.00	11.40	12.50	115.00	7.00	0.30
SU127-108-15.9EU-P	127.00	108.00	15.90	17.50	108.00	7.00	0.30
SU127-112-9EU-P	127.00	112.00	9.00	10.00	112.00	7.00	0.30
SU130-110-12EU-P	130.00	110.00	12.00	13.00	110.00	7.00	0.30
SU130-110-14.5EU-P	130.00	110.00	14.50	15.50	110.00	7.00	0.30
SU130-110-15EU-P	130.00	110.00	15.00	16.00	110.00	7.00	0.30
SU130-115-11.4EU-P	130.00	115.00	11.40	12.50	115.00	7.00	0.30
SU130-120-11.4EU-P	130.00	120.00	11.40	12.50	115.00	7.00	0.30
SU135-110-18.2EU-P	135.00	110.00	18.20	20.00	110.00	7.00	0.30
SU135-115-12EU-P	135.00	115.00	12.00	13.00	115.00	7.00	0.30
SU135-120-11.4EU-P	135.00	120.00	11.40	12.50	120.00	7.00	0.30
SU135-125-11.4EU-P	135.00	125.00	11.40	12.50	125.00	7.00	0.30

* Nominal Dimensions

Fluid Power

The Hydraulic Seal Specialists



SU-EU-P

Metric **S**ingle Acting Rod or Piston **U**-Seal (**E**nergised **U**-Seal) in **P**olyurethane

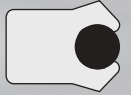
Part Number	*ØD1	*Ød1	H	*L1	*ØG	min	max
						C	R1
SU140-120-12EU-P	140.00	120.00	12.00	13.00	120.00	7.00	0.30
SU140-120-14.5EU-P	140.00	120.00	14.50	15.50	120.00	7.00	0.30
SU140-120-15EU-P	140.00	120.00	15.00	16.00	120.00	7.00	0.30
SU140-125-9EU-P	140.00	125.00	9.00	10.00	125.00	7.00	0.30
SU140-125-11.4EU-P	140.00	125.00	11.40	12.50	125.00	7.00	0.30
SU145-125-14.5EU-P	145.00	125.00	14.50	16.00	125.00	7.00	0.30
SU145-125-15EU-P	145.00	125.00	15.00	16.00	125.00	7.00	0.30
SU145-130-9EU-P	145.00	130.00	9.00	10.00	130.00	7.00	0.30
SU145-130-14.5EU-P	145.00	130.00	14.50	16.00	130.00	7.00	0.30
SU150-125-18EU-P	150.00	125.00	18.00	19.00	125.00	7.00	0.30
SU150-130-12EU-P	150.00	130.00	12.00	13.00	130.00	7.00	0.30
SU150-130-13EU-P	150.00	130.00	13.00	14.00	130.00	7.00	0.30
SU150-130-15EU-P	150.00	130.00	15.00	16.00	130.00	7.00	0.30
SU150-130-16EU-P	150.00	130.00	16.00	17.00	130.00	7.00	0.30
SU150-135-9EU-P	150.00	135.00	9.00	10.00	135.00	7.00	0.30
SU150-136-9EU-P	150.00	136.00	9.00	10.00	136.00	7.00	0.30
SU150-140-10.5EU-P	150.00	140.00	10.50	11.60	140.00	7.00	0.30
SU150-140-11.4EU-P	150.00	140.00	11.40	12.50	140.00	7.00	0.30
SU151-143-13EU-P	151.00	143.00	13.00	14.50	143.00	7.00	0.30
SU155-135-14.5EU-P	155.00	135.00	14.50	16.00	135.00	7.00	0.30
SU155-135-15EU-P	155.00	135.00	15.00	16.00	135.00	7.00	0.30
SU155-140-9EU-P	155.00	140.00	9.00	10.00	140.00	7.00	0.30
SU155-145-11.4EU-P	155.00	145.00	11.40	12.50	145.00	7.00	0.30
SU160-135-18.2EU-P	160.00	135.00	18.20	20.00	135.00	7.00	0.30
SU160-140-12EU-P	160.00	140.00	12.00	13.00	140.00	7.00	0.30
SU160-140-14.5EU-P	160.00	140.00	14.50	16.00	140.00	7.00	0.30
SU160-140-15EU-P	160.00	140.00	15.00	16.00	140.00	7.00	0.30
SU160-145-9EU-P	160.00	145.00	9.00	10.00	145.00	7.00	0.30
SU160-150-11.4EU-P	160.00	150.00	11.40	12.50	150.00	7.00	0.30
SU165-140-18.2EU-P	165.00	140.00	18.20	19.20	140.00	7.00	0.30
SU165-145-14.5EU-P	165.00	145.00	14.50	16.00	145.00	7.00	0.30
SU165-150-9EU-P	165.00	150.00	9.00	10.00	150.00	7.00	0.30
SU168-160-13EU-P	168.00	160.00	13.00	14.50	160.00	7.00	0.20
SU170-150-14.5EU-P	170.00	150.00	14.50	16.00	150.00	7.00	0.30
SU170-150-15EU-P	170.00	150.00	15.00	16.00	150.00	7.00	0.30
SU170-150-16EU-P	170.00	150.00	16.00	17.00	150.00	7.00	0.30
SU175-155-15EU-P	175.00	155.00	15.00	16.50	155.00	7.00	0.30
SU175-160-9EU-P	175.00	160.00	9.00	10.00	160.00	7.00	0.30
SU180-150-18EU-P	180.00	150.00	18.00	19.00	150.00	7.00	0.30
SU180-155-16EU-P	180.00	155.00	16.00	17.00	155.00	7.00	0.30

Fluid Power

The Hydraulic Seal Specialists

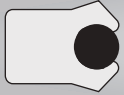
SU-EU-P

Metric **S**ingle Acting Rod or Piston **U**-Seal (**E**nergised **U**-Seal) in **P**olyurethane



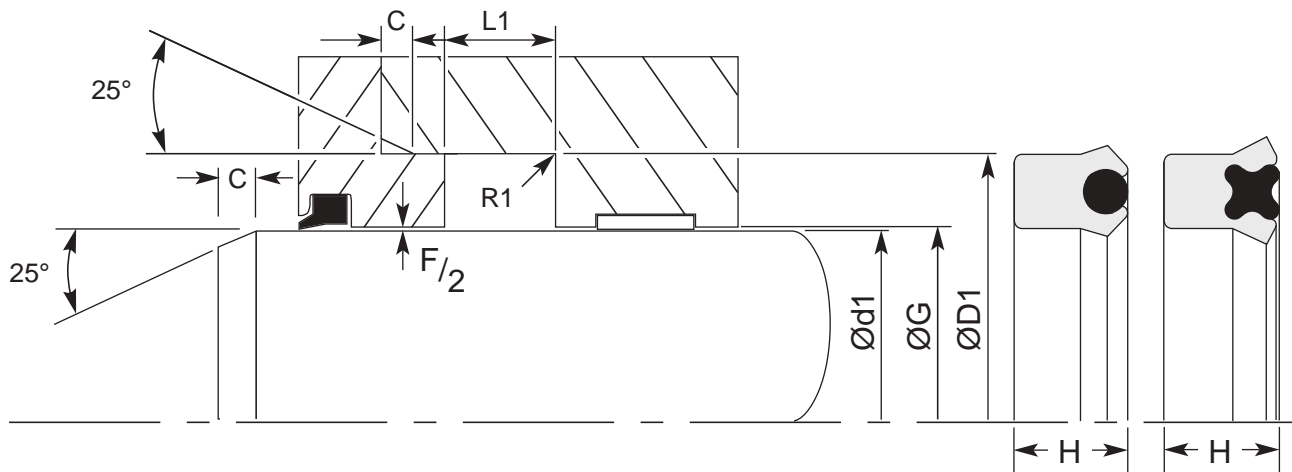
Part Number	*ØD1	*Ød1	H	*L1	*ØG	min	max
						C	R1
SU180-160-15EU-P	180.00	160.00	15.00	16.00	160.00	7.00	0.30
SU180-165-9.5EU-P	180.00	165.00	9.50	10.50	165.00	7.00	0.30
SU180-170-11.4EU-P	180.00	170.00	11.40	12.50	170.00	7.00	0.30
SU185-160-16EU-P	185.00	160.00	16.00	17.00	160.00	7.00	0.30
SU185-160-18.2EU-P	185.00	160.00	18.20	20.00	160.00	7.00	0.30
SU185-175-11.4EU-P	185.00	175.00	11.40	12.50	175.00	7.00	0.30
SU190-160-22.7EU-P	190.00	160.00	22.70	25.00	160.00	7.00	0.30
SU190-170-15EU-P	190.00	170.00	15.00	16.00	170.00	7.00	0.30
SU190-180-11.4EU-P	190.00	180.00	11.40	12.50	180.00	7.00	0.30
SU195-170-19EU-P	195.00	170.00	19.00	21.00	170.00	7.00	0.30
SU195-175-15.9EU-P	195.00	175.00	15.90	17.50	175.00	7.00	0.30
SU200-175-15EU-P	200.00	175.00	15.00	16.00	175.00	10.00	0.30
SU200-180-12.5EU-P	200.00	180.00	12.50	13.50	180.00	10.00	0.30
SU205-180-16EU-P	205.00	180.00	16.00	17.00	180.00	10.00	0.30
SU205-180-18.2EU-P	205.00	180.00	18.20	20.00	180.00	10.00	0.30
SU210-180-22.7EU-P	210.00	180.00	22.70	25.00	180.00	10.00	0.30
SU210-190-12EU-P	210.00	190.00	12.00	13.00	190.00	10.00	0.30
SU210-200-11.4EU-P	210.00	200.00	11.40	12.50	200.00	10.00	0.30
SU215-190-16EU-P	215.00	190.00	16.00	17.00	190.00	10.00	0.30
SU220-200-12.5EU-P	220.00	200.00	12.50	13.50	200.00	10.00	0.30
SU220-200-18EU-P	220.00	200.00	18.00	19.80	200.00	10.00	0.30
SU220-200-19EU-P	220.00	200.00	19.00	20.90	200.00	10.00	0.30
SU220-204-16EU-P	220.00	204.00	16.00	17.60	204.00	10.00	0.30
SU225-200-16EU-P	225.00	200.00	16.00	17.00	200.00	10.00	0.30
SU225-200-18EU-P	225.00	200.00	18.00	19.00	200.00	10.00	0.30
SU225-205-18.2EU-P	225.00	205.00	18.20	20.00	205.00	10.00	0.30
SU230-200-22.7EU-P	230.00	200.00	22.70	25.00	200.00	10.00	0.30
SU230-210-14.5EU-P	230.00	210.00	14.50	16.00	210.00	10.00	0.30
SU230-218-9EU-P	230.00	218.00	9.00	9.90	230.00	10.00	0.30
SU235-205-18EU-P	235.00	205.00	18.00	19.00	205.00	10.00	0.30
SU240-220-15EU-P	240.00	220.00	15.00	16.50	220.00	10.00	0.30
SU250-220-18EU-P	250.00	220.00	18.00	19.80	220.00	10.00	0.30
SU250-220-22.7EU-P	250.00	220.00	22.70	25.00	220.00	10.00	0.30
SU260-240-14.5EU-P	260.00	240.00	14.50	16.00	240.00	10.00	0.30
SU265-240-18EU-P	265.00	240.00	18.00	19.00	240.00	10.00	0.30
SU280-250-22.7EU-P	280.00	250.00	22.70	25.00	250.00	10.00	0.30
SU310-280-22.7EU-P	310.00	280.00	22.70	25.00	280.00	10.00	0.30
SU320-290-22.5EU-P	320.00	290.00	22.50	25.00	290.00	10.00	0.30
SU385-360-20EU-P	385.00	360.00	20.00	22.00	360.00	10.00	0.30
SU390-360-22.5EU-P	390.00	360.00	22.50	22.00	360.00	10.00	0.30

* Nominal Dimensions



SU-EU-P

Imperial **S**ingle Acting Rod or Piston **U**-Seal (**E**nergised **U**-Seal) in **P**olyurethane



Maximum Diametrical Clearance F					
Pressure	Bar	100	200	300	400
Maximum Gap	Inch	0.029	0.024	0.019	0.016

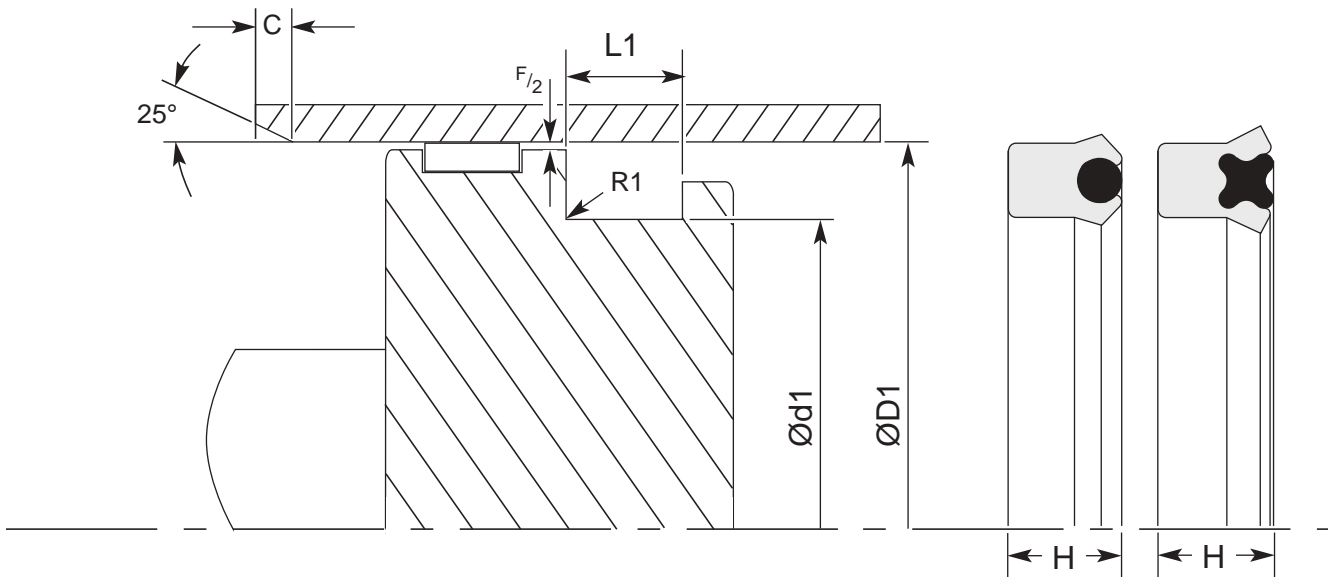
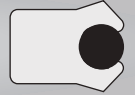
Tolerances			
ØD1	Ød1	L1	ØG
+0.004" -0.000"	f7	+0.010"/-0.000"	H9

Operating Conditions	
Max Speed	Temp Range
m/s	-30° to 100°C
0.50	250 Bar
0.15	400 Bar

SU-EU-P is a symmetrical seal suitable for both piston and rod applications. They are manufactured in a high performance Polyurethane which has a high abrasion resistance, a low compression set and a high resistance to extrusion. The Polyurethane properties and seal design give efficient fluid sealing, reduced friction values and low wear rate. The seal is preloaded by either an o-ring or a quad ring which enables the seal to work effectively under low pressure.

SU-EU-P

Imperial **S**ingle Acting Rod or Piston **U**-Seal (**E**nergised **U**-Seal) in **P**olyurethane



Maximum Diametrical Clearance F					
Pressure	Bar	100	200	300	400
Maximum Gap	Inch	0.029	0.024	0.019	0.016

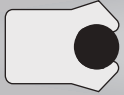
Tolerances		
ØD1	Ød1	L1
H10	+0.004" -0.000"	+0.010"/-0.000"

Operating Conditions	
Max Speed	Temp Range
m/s	-30° to 100°C
0.50	250 Bar
0.15	400 Bar

SU-EU-P is a symmetrical seal suitable for both piston and rod applications. They are manufactured in a high performance Polyurethane which has a high abrasion resistance, a low compression set and a high resistance to extrusion. The Polyurethane properties and seal design give efficient fluid sealing, reduced friction values and low wear rate. The seal is preloaded by either an o-ring or a quad ring which enables the seal to work effectively under low pressure.

Fluid **Power**

The Hydraulic Seal Specialists

**SU-EU-P**Imperial **S**ingle Acting Rod or Piston **U**-Seal (**E**nergised **U**-Seal) in **P**olyurethane

Part Number	*ØD1	*Ød1	H	*L1	*ØG	min	max
						C	R1
SU031006-012EU-P	0.312	0.062	0.125	0.138	0.062	0.200	0.008
SU037012-012EU-P	0.375	0.125	0.125	0.138	0.125	0.200	0.008
SU037012-025EU-P	0.375	0.125	0.250	0.275	0.125	0.200	0.008
SU039014-012EU-P	0.391	0.141	0.125	0.139	0.141	0.200	0.008
SU043018-012EU-P	0.437	0.187	0.125	0.138	0.187	0.200	0.008
SU043018-025EU-P	0.437	0.187	0.250	0.275	0.187	0.200	0.008
SU050025-012EU-P	0.500	0.250	0.125	0.138	0.250	0.200	0.008
SU050025-025EU-P	0.500	0.250	0.250	0.275	0.250	0.200	0.008
SU053028-025EU-P	0.531	0.281	0.250	0.275	0.281	0.200	0.008
SU056018-018EU-P	0.562	0.187	0.187	0.207	0.187	0.200	0.008
SU056031-012EU-P	0.562	0.312	0.125	0.138	0.312	0.200	0.008
SU056031-025EU-P	0.562	0.312	0.250	0.275	0.312	0.200	0.008
SU062025-018EU-P	0.625	0.250	0.187	0.207	0.250	0.200	0.008
SU062037-012EU-P	0.625	0.375	0.125	0.138	0.375	0.200	0.008
SU062037-018EU-P	0.625	0.375	0.187	0.207	0.375	0.200	0.008
SU062037-025EU-P	0.625	0.375	0.250	0.275	0.375	0.200	0.008
SU068031-018EU-P	0.687	0.312	0.187	0.207	0.312	0.200	0.008
SU068043-012EU-P	0.687	0.437	0.125	0.138	0.437	0.200	0.008
SU068043-025EU-P	0.687	0.437	0.250	0.275	0.437	0.200	0.008
SU068056-012EU-P	0.687	0.562	0.125	0.138	0.562	0.200	0.008
SU075025-025EU-P	0.750	0.250	0.250	0.275	0.250	0.200	0.016
SU075037-018EU-P	0.750	0.375	0.187	0.207	0.375	0.200	0.008
SU075037-031EU-P	0.750	0.375	0.312	0.344	0.375	0.200	0.008
SU075050-012EU-P	0.750	0.500	0.125	0.138	0.500	0.200	0.008
SU075050-025EU-P	0.750	0.500	0.250	0.275	0.500	0.200	0.008
SU081031-025EU-P	0.812	0.312	0.250	0.275	0.312	0.200	0.016
SU081043-018EU-P	0.812	0.437	0.187	0.207	0.437	0.200	0.008
SU081056-012EU-P	0.812	0.562	0.125	0.138	0.562	0.200	0.008
SU081056-025EU-P	0.812	0.562	0.250	0.275	0.562	0.200	0.008
SU087025-031EU-P	0.875	0.250	0.312	0.344	0.250	0.200	0.016
SU087037-025EU-P	0.875	0.375	0.250	0.275	0.375	0.200	0.016
SU087050-018EU-P	0.875	0.500	0.187	0.207	0.500	0.200	0.008
SU087050-031EU-P	0.875	0.500	0.312	0.344	0.500	0.200	0.008
SU087062-012EU-P	0.875	0.625	0.125	0.138	0.625	0.200	0.008
SU087062-018EU-P	0.875	0.625	0.187	0.207	0.625	0.200	0.008
SU087062-025EU-P	0.875	0.625	0.250	0.275	0.625	0.200	0.008
SU093043-025EU-P	0.937	0.437	0.250	0.275	0.437	0.200	0.016
SU093056-018EU-P	0.937	0.562	0.187	0.207	0.562	0.200	0.008
SU093068-012EU-P	0.937	0.687	0.125	0.138	0.687	0.200	0.008
SU093068-025EU-P	0.937	0.687	0.250	0.275	0.687	0.200	0.008

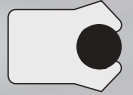
225 * Nominal Dimensions

Fluid Power

The Hydraulic Seal Specialists

SU-EU-P

Imperial **S**ingle Acting Rod or Piston **U**-Seal (**E**nergised **U**-Seal) in **P**olyurethane

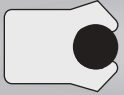


Part Number	*ØD1	*Ød1	H	*L1	*ØG	min	max
						C	R1
SU100037-031EU-P	1.000	0.375	0.312	0.344	0.375	0.200	0.032
SU100050-025EU-P	1.000	0.500	0.250	0.275	0.500	0.200	0.016
SU100050-037EU-P	1.000	0.500	0.375	0.413	0.500	0.200	0.016
SU100062-018EU-P	1.000	0.625	0.187	0.207	0.625	0.200	0.008
SU100062-031EU-P	1.000	0.625	0.312	0.344	0.625	0.200	0.008
SU100075-012EU-P	1.000	0.750	0.125	0.138	0.750	0.200	0.008
SU100075-018EU-P	1.000	0.750	0.187	0.207	0.750	0.200	0.008
SU100075-025EU-P	1.000	0.750	0.250	0.275	0.750	0.200	0.008
SU106043-031EU-P	1.062	0.437	0.312	0.344	0.437	0.200	0.032
SU106050-025EU-P	1.062	0.500	0.250	0.275	0.500	0.200	0.016
SU106056-025EU-P	1.062	0.562	0.250	0.275	0.562	0.200	0.016
SU106081-012EU-P	1.062	0.812	0.125	0.138	0.812	0.200	0.008
SU106081-025EU-P	1.062	0.812	0.250	0.275	0.812	0.200	0.008
SU112050-031EU-P	1.125	0.500	0.312	0.344	0.500	0.200	0.032
SU112062-025EU-P	1.125	0.625	0.250	0.275	0.625	0.200	0.016
SU112062-037EU-P	1.125	0.625	0.375	0.413	0.625	0.200	0.016
SU112075-018EU-P	1.125	0.750	0.187	0.207	0.750	0.200	0.008
SU112075-031EU-P	1.125	0.750	0.312	0.375	0.750	0.200	0.008
SU112087-012EU-P	1.125	0.875	0.125	0.138	0.875	0.200	0.008
SU112087-025EU-P	1.125	0.875	0.250	0.275	0.875	0.200	0.008
SU112087-050EU-P	1.125	0.875	0.500	0.550	0.875	0.200	0.008
SU118068-025EU-P	1.187	0.687	0.250	0.275	0.687	0.200	0.016
SU118081-018EU-P	1.187	0.812	0.187	0.207	0.812	0.200	0.008
SU118081-031EU-P	1.187	0.812	0.312	0.344	0.812	0.200	0.008
SU118093-012EU-P	1.187	0.937	0.125	0.138	0.937	0.200	0.008
SU118093-025EU-P	1.187	0.937	0.250	0.275	0.937	0.200	0.008
SU125050-037EU-P	1.250	0.500	0.375	0.413	0.500	0.200	0.032
SU125062-031EU-P	1.250	0.625	0.312	0.344	0.625	0.200	0.032
SU125075-025EU-P	1.250	0.750	0.250	0.275	0.750	0.200	0.016
SU125075-037EU-P	1.250	0.750	0.375	0.413	0.750	0.200	0.016
SU125087-018EU-P	1.250	0.875	0.187	0.207	0.875	0.200	0.008
SU125087-031EU-P	1.250	0.875	0.312	0.344	0.875	0.200	0.008
SU125087-037EU-P	1.250	0.875	0.375	0.413	0.875	0.200	0.008
SU125100-012EU-P	1.250	1.000	0.125	0.138	1.000	0.200	0.008
SU125100-018EU-P	1.250	1.000	0.187	0.207	1.000	0.200	0.008
SU125100-025EU-P	1.250	1.000	0.250	0.275	1.000	0.200	0.008
SU131081-025EU-P	1.312	0.812	0.250	0.275	0.812	0.200	0.016
SU131081-037EU-P	1.312	0.812	0.375	0.413	0.812	0.200	0.016
SU131093-018EU-P	1.312	0.937	0.187	0.207	0.937	0.200	0.008
SU131093-031EU-P	1.312	0.937	0.312	0.344	0.937	0.200	0.008

* Nominal Dimensions

Fluid **Power**

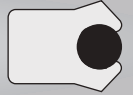
The Hydraulic Seal Specialists

**SU-EU-P**Imperial **S**ingle Acting Rod or Piston **U**-Seal (**E**nergised **U**-Seal) in **P**olyurethane

Part Number	*ØD1	*Ød1	H	*L1	*ØG	min	max
						C	R1
SU131100-015EU-P	1.312	1.000	0.156	0.172	1.000	0.200	0.008
SU131100-023EU-P	1.312	1.000	0.234	0.257	1.000	0.200	0.008
SU131106-012EU-P	1.312	1.062	0.125	0.138	1.062	0.200	0.008
SU131106-025EU-P	1.312	1.062	0.250	0.275	1.062	0.200	0.008
SU137075-031EU-P	1.375	0.750	0.312	0.344	0.750	0.200	0.032
SU137075-050EU-P	1.375	0.750	0.500	0.550	0.750	0.200	0.032
SU137087-025EU-P	1.375	0.875	0.250	0.275	0.875	0.200	0.016
SU137087-037EU-P	1.375	0.875	0.375	0.413	0.875	0.200	0.016
SU137100-018EU-P	1.375	1.000	0.187	0.207	1.000	0.200	0.008
SU137100-025EU-P	1.375	1.000	0.250	0.275	1.000	0.200	0.008
SU137100-031EU-P	1.375	1.000	0.312	0.344	1.000	0.200	0.008
SU137100-037EU-P	1.375	1.000	0.375	0.413	1.000	0.200	0.008
SU137112-012EU-P	1.375	1.125	0.125	0.138	1.125	0.200	0.008
SU137112-018EU-P	1.375	1.125	0.187	0.207	1.125	0.200	0.008
SU137112-025EU-P	1.375	1.125	0.250	0.275	1.125	0.200	0.008
SU143093-025EU-P	1.437	0.937	0.250	0.275	0.937	0.200	0.016
SU143106-018EU-P	1.437	1.062	0.187	0.207	1.062	0.200	0.008
SU143106-031EU-P	1.437	1.062	0.312	0.344	1.062	0.200	0.008
SU143112-015EU-P	1.437	1.125	0.156	0.172	1.125	0.200	0.008
SU143118-012EU-P	1.437	1.187	0.125	0.138	1.187	0.200	0.008
SU143118-018EU-P	1.437	1.187	0.187	0.207	1.187	0.200	0.008
SU143118-025EU-P	1.437	1.187	0.250	0.275	1.187	0.200	0.008
SU150075-037EU-P	1.500	0.750	0.375	0.413	0.750	0.200	0.032
SU150087-031EU-P	1.500	0.875	0.312	0.344	0.875	0.200	0.032
SU150100-025EU-P	1.500	1.000	0.250	0.275	1.000	0.200	0.016
SU150100-037EU-P	1.500	1.000	0.375	0.413	1.000	0.200	0.016
SU150112-018EU-P	1.500	1.125	0.187	0.207	1.125	0.200	0.008
SU150112-025EU-P	1.500	1.125	0.250	0.275	1.125	0.200	0.008
SU150112-031EU-P	1.500	1.125	0.312	0.344	1.125	0.200	0.008
SU150112-037EU-P	1.500	1.125	0.375	0.413	1.125	0.200	0.008
SU150118-015EU-P	1.500	1.187	0.156	0.172	1.187	0.200	0.008
SU150125-012EU-P	1.500	1.250	0.125	0.138	1.250	0.200	0.008
SU150125-018EU-P	1.500	1.250	0.187	0.207	1.250	0.200	0.008
SU150125-025EU-P	1.500	1.250	0.250	0.275	1.250	0.200	0.008
SU156081-037EU-P	1.562	0.812	0.375	0.413	0.812	0.200	0.032
SU156100-028EU-P	1.562	1.000	0.281	0.309	1.000	0.200	0.016
SU156106-025EU-P	1.562	1.062	0.250	0.275	1.062	0.200	0.016
SU156118-018EU-P	1.562	1.187	0.187	0.207	1.187	0.200	0.008
SU156118-025EU-P	1.562	1.187	0.250	0.275	1.187	0.200	0.008
SU156118-031EU-P	1.562	1.187	0.312	0.344	1.187	0.200	0.008

Fluid **Power**

The Hydraulic Seal Specialists

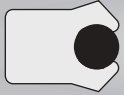
SU-EU-PImperial **S**ingle Acting Rod or Piston **U**-Seal (**E**nergised **U**-Seal) in **P**olyurethane

Part Number	*ØD1	*Ød1	H	*L1	*ØG	min	max
						C	R1
SU156125-015EU-P	1.562	1.250	0.156	0.172	1.250	0.200	0.008
SU156131-012EU-P	1.562	1.312	0.125	0.138	1.312	0.200	0.008
SU156131-018EU-P	1.562	1.312	0.187	0.207	1.312	0.200	0.008
SU159109-025EU-P	1.594	1.094	0.250	0.275	1.094	0.200	0.008
SU162087-037EU-P	1.625	0.875	0.375	0.413	0.875	0.200	0.032
SU162100-031EU-P	1.625	1.000	0.312	0.344	1.000	0.200	0.032
SU162100-037EU-P	1.625	1.000	0.375	0.413	1.000	0.200	0.032
SU162100-050EU-P	1.625	1.000	0.500	0.550	1.000	0.200	0.032
SU162112-025EU-P	1.625	1.125	0.250	0.275	1.125	0.200	0.016
SU162112-037EU-P	1.625	1.125	0.375	0.413	1.125	0.200	0.016
SU162125-018EU-P	1.625	1.250	0.187	0.207	1.250	0.200	0.008
SU162125-025EU-P	1.625	1.250	0.250	0.275	1.250	0.200	0.008
SU162125-026EU-P	1.625	1.250	0.266	0.292	1.250	0.200	0.008
SU162125-031EU-P	1.625	1.250	0.312	0.344	1.250	0.200	0.008
SU162125-037EU-P	1.625	1.250	0.375	0.413	1.250	0.200	0.008
SU162137-012EU-P	1.625	1.375	0.125	0.138	1.375	0.200	0.008
SU162137-018EU-P	1.625	1.375	0.187	0.207	1.375	0.200	0.008
SU162137-025EU-P	1.625	1.375	0.250	0.275	1.375	0.200	0.008
SU168093-037EU-P	1.687	0.937	0.375	0.413	0.937	0.200	0.032
SU168118-025EU-P	1.687	1.187	0.250	0.275	1.187	0.200	0.016
SU168125-031EU-P	1.687	1.250	0.312	0.344	1.250	0.200	0.008
SU168131-018EU-P	1.687	1.312	0.187	0.207	1.312	0.200	0.008
SU168131-031EU-P	1.687	1.312	0.312	0.344	1.312	0.200	0.008
SU168137-015EU-P	1.687	1.375	0.156	0.172	1.375	0.200	0.008
SU168143-012EU-P	1.687	1.437	0.125	0.138	1.437	0.200	0.008
SU168143-025EU-P	1.687	1.437	0.250	0.275	1.437	0.200	0.008
SU175100-037EU-P	1.750	1.000	0.375	0.413	1.000	0.200	0.032
SU175100-062EU-P	1.750	1.000	0.625	0.688	1.000	0.200	0.032
SU175112-031EU-P	1.750	1.125	0.312	0.344	1.125	0.200	0.032
SU175112-037EU-P	1.750	1.125	0.375	0.413	1.125	0.200	0.032
SU175125-025EU-P	1.750	1.250	0.250	0.275	1.250	0.200	0.016
SU175125-037EU-P	1.750	1.250	0.375	0.413	1.250	0.200	0.016
SU175137-018EU-P	1.750	1.375	0.187	0.207	1.375	0.200	0.008
SU175137-025EU-P	1.750	1.375	0.250	0.275	1.375	0.200	0.008
SU175137-031EU-P	1.750	1.375	0.312	0.344	1.375	0.200	0.008
SU175137-037EU-P	1.750	1.375	0.375	0.413	1.375	0.200	0.008
SU175150-012EU-P	1.750	1.500	0.125	0.138	1.500	0.200	0.008
SU175150-018EU-P	1.750	1.500	0.187	0.207	1.500	0.200	0.008
SU175150-025EU-P	1.750	1.500	0.250	0.275	1.500	0.200	0.008
SU181118-031EU-P	1.812	1.187	0.312	0.344	1.187	0.200	0.032

* Nominal Dimensions

Fluid **Power**

The Hydraulic Seal Specialists

**SU-EU-P**Imperial **S**ingle Acting Rod or Piston **U**-Seal (**E**nergised **U**-Seal) in **P**olyurethane

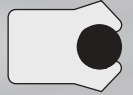
Part Number	*ØD1	*Ød1	H	*L1	*ØG	min	max
						C	R1
SU181131-025EU-P	1.812	1.312	0.250	0.275	1.312	0.200	0.016
SU181131-037EU-P	1.812	1.312	0.375	0.413	1.312	0.200	0.016
SU181137-031EU-P	1.812	1.375	0.312	0.344	1.375	0.200	0.008
SU181137-039EU-P	1.812	1.375	0.390	0.428	1.375	0.200	0.008
SU181143-018EU-P	1.812	1.437	0.187	0.207	1.437	0.200	0.008
SU181150-031EU-P	1.812	1.500	0.312	0.344	1.500	0.200	0.008
SU181156-012EU-P	1.812	1.562	0.125	0.138	1.562	0.200	0.008
SU187112-037EU-P	1.875	1.125	0.375	0.413	1.125	0.200	0.032
SU187125-031EU-P	1.875	1.250	0.312	0.344	1.250	0.200	0.032
SU187125-037EU-P	1.875	1.250	0.375	0.413	1.250	0.200	0.032
SU187125-050EU-P	1.875	1.250	0.500	0.550	1.250	0.200	0.032
SU187137-025EU-P	1.875	1.375	0.250	0.275	1.375	0.200	0.016
SU187137-037EU-P	1.875	1.375	0.375	0.413	1.375	0.200	0.016
SU187150-018EU-P	1.875	1.500	0.187	0.207	1.500	0.200	0.008
SU187150-025EU-P	1.875	1.500	0.250	0.275	1.500	0.200	0.008
SU187150-026EU-P	1.875	1.500	0.266	0.292	1.500	0.200	0.008
SU187150-029EU-P	1.875	1.500	0.297	0.326	1.500	0.200	0.008
SU187150-031EU-P	1.875	1.500	0.312	0.344	1.500	0.200	0.008
SU187150-037EU-P	1.875	1.500	0.375	0.413	1.500	0.200	0.008
SU187162-012EU-P	1.875	1.625	0.125	0.138	1.625	0.200	0.008
SU193131-031EU-P	1.937	1.312	0.312	0.344	1.312	0.200	0.016
SU193143-025EU-P	1.937	1.437	0.250	0.275	1.437	0.200	0.016
SU193150-039EU-P	1.937	1.500	0.390	0.428	1.500	0.200	0.008
SU193156-037EU-P	1.937	1.563	0.375	0.413	1.563	0.200	0.008
SU193168-012EU-P	1.937	1.687	0.125	0.138	1.687	0.200	0.008
SU200100-050EU-P	2.000	1.000	0.500	0.550	1.000	0.200	0.032
SU200125-037EU-P	2.000	1.250	0.375	0.413	1.250	0.200	0.032
SU200125-062EU-P	2.000	1.250	0.625	0.688	1.250	0.200	0.032
SU200137-031EU-P	2.000	1.375	0.312	0.344	1.375	0.200	0.032
SU200137-037EU-P	2.000	1.375	0.375	0.413	1.375	0.200	0.032
SU200137-050EU-P	2.000	1.375	0.500	0.550	1.375	0.200	0.032
SU200150-025EU-P	2.000	1.500	0.250	0.275	1.500	0.200	0.016
SU200150-031EU-P	2.000	1.500	0.312	0.344	1.500	0.200	0.016
SU200150-037EU-P	2.000	1.500	0.375	0.413	1.500	0.200	0.016
SU200150-050EU-P	2.000	1.500	0.500	0.550	1.500	0.200	0.016
SU200162-018EU-P	2.000	1.625	0.187	0.207	1.625	0.200	0.008
SU200162-025EU-P	2.000	1.625	0.250	0.275	1.625	0.200	0.008
SU200162-031EU-P	2.000	1.625	0.312	0.344	1.625	0.200	0.008
SU200162-037EU-P	2.000	1.625	0.375	0.413	1.625	0.200	0.008
SU200175-012EU-P	2.000	1.750	0.125	0.138	1.750	0.200	0.008

Fluid Power

The Hydraulic Seal Specialists

SU-EU-P

Imperial **S**ingle Acting Rod or Piston **U**-Seal (**E**nergised **U**-Seal) in **P**olyurethane

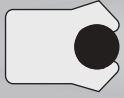


Part Number	*ØD1	*Ød1	H	*L1	*ØG	min	max
						C	R1
SU200175-025EU-P	2.000	1.750	0.250	0.275	1.750	0.200	0.008
SU206131-037EU-P	2.062	1.312	0.375	0.413	1.312	0.200	0.032
SU206162-039EU-P	2.062	1.625	0.390	0.428	1.625	0.200	0.008
SU206168-018EU-P	2.062	1.688	0.187	0.207	1.688	0.200	0.008
SU212137-037EU-P	2.125	1.375	0.375	0.413	1.375	0.200	0.032
SU212137-062EU-P	2.125	1.375	0.625	0.688	1.375	0.200	0.032
SU212150-031EU-P	2.125	1.500	0.312	0.344	1.500	0.200	0.032
SU212150-037EU-P	2.125	1.500	0.375	0.413	1.500	0.200	0.032
SU212150-043EU-P	2.125	1.500	0.437	0.481	1.500	0.200	0.032
SU212150-050EU-P	2.125	1.500	0.500	0.550	1.500	0.200	0.032
SU212162-025EU-P	2.125	1.625	0.250	0.275	1.625	0.200	0.016
SU212162-037EU-P	2.125	1.625	0.375	0.413	1.625	0.200	0.016
SU212175-018EU-P	2.125	1.750	0.187	0.207	1.750	0.200	0.008
SU212175-023EU-P	2.125	1.750	0.230	0.253	1.750	0.200	0.008
SU212175-025EU-P	2.125	1.750	0.250	0.275	1.750	0.200	0.008
SU212175-026EU-P	2.125	1.750	0.266	0.292	1.750	0.200	0.008
SU212175-031EU-P	2.125	1.750	0.312	0.344	1.750	0.200	0.008
SU212175-037EU-P	2.125	1.750	0.375	0.413	1.750	0.200	0.008
SU212187-012EU-P	2.125	1.875	0.125	0.138	1.875	0.200	0.008
SU218175-039EU-P	2.187	1.750	0.390	0.428	1.750	0.200	0.008
SU225150-037EU-P	2.250	1.500	0.375	0.413	1.500	0.200	0.032
SU225150-062EU-P	2.250	1.500	0.625	0.688	1.500	0.200	0.032
SU225162-031EU-P	2.250	1.625	0.312	0.344	1.625	0.200	0.016
SU225162-037EU-P	2.250	1.625	0.375	0.413	1.625	0.200	0.016
SU225162-050EU-P	2.250	1.625	0.500	0.550	1.625	0.200	0.016
SU225175-025EU-P	2.250	1.750	0.250	0.275	1.750	0.200	0.016
SU225175-031EU-P	2.250	1.750	0.312	0.344	1.750	0.200	0.016
SU225175-037EU-P	2.250	1.750	0.375	0.413	1.750	0.200	0.016
SU225187-018EU-P	2.250	1.875	0.187	0.207	1.875	0.200	0.008
SU225187-025EU-P	2.250	1.875	0.250	0.275	1.875	0.200	0.008
SU225187-026EU-P	2.250	1.875	0.266	0.292	1.875	0.200	0.008
SU225187-037EU-P	2.250	1.875	0.375	0.413	1.875	0.200	0.008
SU225200-012EU-P	2.250	2.000	0.125	0.138	2.000	0.200	0.008
SU225200-025EU-P	2.250	2.000	0.250	0.275	2.000	0.200	0.008
SU231156-037EU-P	2.312	1.562	0.375	0.413	1.562	0.200	0.032
SU231168-031EU-P	2.312	1.687	0.312	0.344	1.687	0.200	0.032
SU237150-043EU-P	2.375	1.500	0.437	0.481	1.500	0.200	0.032
SU237162-037EU-P	2.375	1.625	0.375	0.413	1.625	0.200	0.032
SU237162-062EU-P	2.375	1.625	0.625	0.688	1.625	0.200	0.032
SU237175-031EU-P	2.375	1.750	0.312	0.344	1.750	0.200	0.032

* Nominal Dimensions

Fluid Power

The Hydraulic Seal Specialists



SU-EU-P

Imperial **S**ingle Acting Rod or Piston **U**-Seal (**E**nergised **U**-Seal) in **P**olyurethane

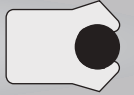
Part Number	*ØD1	*Ød1	H	*L1	*ØG	min	max
						C	R1
SU237175-037EU-P	2.375	1.750	0.375	0.413	1.750	0.200	0.032
SU237175-039EU-P	2.375	1.750	0.390	0.428	1.750	0.200	0.016
SU237175-050EU-P	2.375	1.750	0.500	0.550	1.750	0.200	0.032
SU237187-025EU-P	2.375	1.875	0.250	0.275	1.875	0.200	0.016
SU237187-037EU-P	2.375	1.875	0.375	0.413	1.875	0.200	0.016
SU237200-018EU-P	2.375	2.000	0.187	0.207	2.000	0.200	0.008
SU237200-023EU-P	2.375	2.000	0.230	0.253	2.000	0.200	0.008
SU237200-027EU-P	2.375	2.000	0.275	0.295	2.000	0.200	0.008
SU237200-031EU-P	2.375	2.000	0.312	0.344	2.000	0.200	0.008
SU237200-037EU-P	2.375	2.000	0.375	0.413	2.000	0.200	0.008
SU237212-012EU-P	2.375	2.125	0.125	0.138	2.125	0.200	0.008
SU237212-025EU-P	2.375	2.125	0.250	0.275	2.125	0.200	0.008
SU243206-018EU-P	2.437	2.062	0.187	0.207	2.062	0.200	0.008
SU250125-062EU-P	2.500	1.250	0.625	0.688	1.250	0.200	0.032
SU250150-050EU-P	2.500	1.500	0.500	0.550	1.500	0.200	0.032
SU250175-037EU-P	2.500	1.750	0.375	0.413	1.750	0.200	0.032
SU250175-062EU-P	2.500	1.750	0.625	0.688	1.750	0.200	0.032
SU250187-031EU-P	2.500	1.875	0.312	0.344	1.875	0.200	0.032
SU250187-037EU-P	2.500	1.875	0.375	0.413	1.875	0.200	0.032
SU250187-043EU-P	2.500	1.875	0.437	0.452	1.875	0.200	0.032
SU250187-050EU-P	2.500	1.875	0.500	0.550	1.875	0.200	0.032
SU250200-025EU-P	2.500	2.000	0.250	0.275	2.000	0.200	0.016
SU250200-031EU-P	2.500	2.000	0.312	0.344	2.000	0.200	0.016
SU250200-037EU-P	2.500	2.000	0.375	0.413	2.000	0.200	0.016
SU250212-018EU-P	2.500	2.125	0.187	0.207	2.125	0.200	0.008
SU250212-025EU-P	2.500	2.125	0.250	0.275	2.125	0.200	0.008
SU250212-026EU-P	2.500	2.125	0.266	0.292	2.125	0.200	0.008
SU250212-031EU-P	2.500	2.125	0.312	0.344	2.125	0.200	0.008
SU250212-037EU-P	2.500	2.125	0.375	0.413	2.125	0.200	0.008
SU250225-012EU-P	2.500	2.250	0.125	0.138	2.250	0.200	0.008
SU250225-037EU-P	2.500	2.250	0.375	0.413	2.250	0.200	0.008
SU252197-050EU-P	2.520	1.970	0.500	0.550	1.970	0.200	0.016
SU256193-031EU-P	2.562	1.937	0.312	0.344	1.937	0.200	0.032
SU256218-037EU-P	2.562	2.187	0.375	0.413	2.187	0.200	0.008
SU262187-037EU-P	2.625	1.875	0.375	0.413	1.875	0.200	0.032
SU262200-031EU-P	2.625	2.000	0.312	0.344	2.000	0.200	0.032
SU262200-037EU-P	2.625	2.000	0.375	0.413	2.000	0.200	0.032
SU262200-050EU-P	2.625	2.000	0.500	0.550	2.000	0.200	0.032
SU262212-025EU-P	2.625	2.125	0.250	0.275	2.125	0.200	0.016
SU262212-037EU-P	2.625	2.125	0.375	0.413	2.125	0.200	0.016

Fluid Power

The Hydraulic Seal Specialists

SU-EU-P

Imperial **S**ingle Acting Rod or Piston **U**-Seal (**E**nergised **U**-Seal) in **P**olyurethane

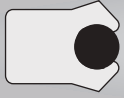


Part Number	*ØD1	*Ød1	H	*L1	*ØG	min	max
						C	R1
SU262225-018EU-P	2.625	2.250	0.187	0.207	2.125	0.200	0.016
SU262225-031EU-P	2.625	2.250	0.312	0.344	2.125	0.200	0.016
SU262225-037EU-P	2.625	2.250	0.375	0.413	2.125	0.200	0.016
SU262237-012EU-P	2.625	2.375	0.125	0.138	2.625	0.200	0.008
SU262237-018EU-P	2.625	2.375	0.187	0.207	2.625	0.200	0.008
SU268218-037EU-P	2.687	2.187	0.375	0.413	2.187	0.200	0.016
SU275175-075EU-P	2.750	1.750	0.750	0.825	1.750	0.200	0.032
SU275200-037EU-P	2.750	2.000	0.375	0.413	2.000	0.200	0.032
SU275200-050EU-P	2.750	2.000	0.500	0.550	2.000	0.200	0.032
SU275200-062EU-P	2.750	2.000	0.625	0.688	2.000	0.200	0.032
SU275212-031EU-P	2.750	2.125	0.312	0.344	2.125	0.200	0.032
SU275212-050EU-P	2.750	2.125	0.500	0.550	2.125	0.200	0.032
SU275225-025EU-P	2.750	2.250	0.250	0.275	2.250	0.200	0.016
SU275225-037EU-P	2.750	2.250	0.375	0.413	2.250	0.200	0.016
SU275237-018EU-P	2.750	2.375	0.187	0.207	2.375	0.200	0.008
SU275237-025EU-P	2.750	2.375	0.250	0.275	2.375	0.200	0.008
SU275237-037EU-P	2.750	2.375	0.375	0.413	2.375	0.200	0.008
SU275237-050EU-P	2.750	2.375	0.500	0.550	2.375	0.200	0.008
SU275250-012EU-P	2.750	2.500	0.125	0.138	2.500	0.200	0.008
SU275250-025EU-P	2.750	2.500	0.250	0.275	2.500	0.200	0.008
SU277220-050EU-P	2.770	2.200	0.500	0.550	2.200	0.200	0.016
SU281206-037EU-P	2.812	2.062	0.375	0.413	2.062	0.200	0.032
SU287187-062EU-P	2.875	1.875	0.625	0.688	1.875	0.200	0.032
SU287212-037EU-P	2.875	2.125	0.375	0.413	2.125	0.200	0.032
SU287225-031EU-P	2.875	2.250	0.312	0.344	2.250	0.200	0.032
SU287225-050EU-P	2.875	2.250	0.500	0.550	2.250	0.200	0.032
SU287237-025EU-P	2.875	2.375	0.250	0.275	2.375	0.200	0.016
SU287237-037EU-P	2.875	2.375	0.375	0.413	2.375	0.200	0.016
SU287250-018EU-P	2.875	2.500	0.187	0.207	2.500	0.200	0.008
SU287250-025EU-P	2.875	2.500	0.250	0.275	2.500	0.200	0.008
SU287250-031EU-P	2.875	2.500	0.312	0.344	2.500	0.200	0.008
SU287250-037EU-P	2.875	2.500	0.375	0.413	2.500	0.200	0.008
SU293250-021EU-P	2.937	2.500	0.218	0.241	2.500	0.200	0.008
SU300175-062EU-P	3.000	1.750	0.625	0.688	1.750	0.200	0.032
SU300200-050EU-P	3.000	2.000	0.500	0.550	2.000	0.200	0.032
SU300200-075EU-P	3.000	2.000	0.750	0.825	2.000	0.200	0.032
SU300225-037EU-P	3.000	2.250	0.375	0.413	2.250	0.200	0.032
SU300225-050EU-P	3.000	2.250	0.500	0.550	2.250	0.200	0.032
SU300225-062EU-P	3.000	2.250	0.625	0.688	2.250	0.200	0.032
SU300237-031EU-P	3.000	2.375	0.312	0.344	2.375	0.200	0.032

* Nominal Dimensions

Fluid **Power**

The Hydraulic Seal Specialists

**SU-EU-P**Imperial **S**ingle Acting Rod or Piston **U**-Seal (**E**nergised **U**-Seal) in **P**olyurethane

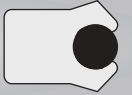
Part Number	*ØD1	*Ød1	H	*L1	*ØG	min	max
						C	R1
SU300237-050EU-P	3.000	2.375	0.500	0.550	2.375	0.200	0.032
SU300250-025EU-P	3.000	2.500	0.250	0.275	2.500	0.200	0.016
SU300250-031EU-P	3.000	2.500	0.312	0.344	2.500	0.200	0.016
SU300250-037EU-P	3.000	2.500	0.375	0.413	2.500	0.200	0.016
SU300250-050EU-P	3.000	2.500	0.500	0.550	2.500	0.200	0.016
SU300262-018EU-P	3.000	2.625	0.187	0.207	2.625	0.200	0.008
SU300262-025EU-P	3.000	2.625	0.250	0.275	2.625	0.200	0.008
SU300262-037EU-P	3.000	2.625	0.375	0.413	2.625	0.200	0.008
SU300275-012EU-P	3.000	2.750	0.125	0.138	2.750	0.200	0.008
SU300275-025EU-P	3.000	2.750	0.250	0.275	2.750	0.200	0.008
SU312237-037EU-P	3.125	2.375	0.375	0.413	2.375	0.200	0.032
SU312237-062EU-P	3.125	2.375	0.625	0.688	2.375	0.200	0.032
SU312250-031EU-P	3.125	2.500	0.312	0.344	2.500	0.200	0.032
SU312250-050EU-P	3.125	2.500	0.500	0.550	2.500	0.200	0.032
SU312262-025EU-P	3.125	2.625	0.250	0.275	2.625	0.200	0.016
SU312262-037EU-P	3.125	2.625	0.375	0.413	2.625	0.200	0.016
SU312275-018EU-P	3.125	2.750	0.187	0.207	2.750	0.200	0.008
SU312275-037EU-P	3.125	2.750	0.375	0.413	2.750	0.200	0.008
SU312287-012EU-P	3.125	2.875	0.125	0.138	2.875	0.200	0.008
SU318256-031EU-P	3.187	2.562	0.312	0.344	2.562	0.200	0.032
SU325225-050EU-P	3.250	2.250	0.500	0.550	2.250	0.200	0.032
SU325250-037EU-P	3.250	2.500	0.375	0.413	2.500	0.200	0.032
SU325250-050EU-P	3.250	2.500	0.500	0.550	2.500	0.200	0.032
SU325250-062EU-P	3.250	2.500	0.625	0.688	2.500	0.200	0.032
SU325262-031EU-P	3.250	2.625	0.312	0.344	2.625	0.200	0.032
SU325262-050EU-P	3.250	2.625	0.500	0.550	2.625	0.200	0.032
SU325275-025EU-P	3.250	2.750	0.250	0.275	2.750	0.200	0.016
SU325275-037EU-P	3.250	2.750	0.375	0.413	2.750	0.200	0.016
SU325275-050EU-P	3.250	2.750	0.500	0.550	2.750	0.200	0.016
SU325281-021EU-P	3.250	2.812	0.218	0.241	2.812	0.200	0.008
SU325287-018EU-P	3.250	2.875	0.187	0.207	2.875	0.200	0.008
SU325287-025EU-P	3.250	2.875	0.250	0.275	2.875	0.200	0.008
SU325287-037EU-P	3.250	2.875	0.375	0.413	2.875	0.200	0.008
SU325300-012EU-P	3.250	3.000	0.125	0.138	3.000	0.200	0.008
SU337237-050EU-P	3.375	2.375	0.500	0.550	2.375	0.200	0.032
SU337250-043EU-P	3.375	2.500	0.437	0.481	2.500	0.200	0.032
SU337262-037EU-P	3.375	2.625	0.375	0.413	2.625	0.200	0.032
SU337262-062EU-P	3.375	2.625	0.625	0.688	2.625	0.200	0.032
SU337275-031EU-P	3.375	2.750	0.312	0.344	2.750	0.200	0.032
SU337275-050EU-P	3.375	2.750	0.500	0.550	2.750	0.200	0.032

Fluid Power

The Hydraulic Seal Specialists

SU-EU-P

Imperial **S**ingle Acting Rod or Piston **U**-Seal (**E**nergised **U**-Seal) in **P**olyurethane

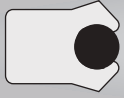


Part Number	*ØD1	*Ød1	H	*L1	*ØG	min	max
						C	R1
SU337287-025EU-P	3.375	2.875	0.250	0.275	2.875	0.200	0.016
SU337287-037EU-P	3.375	2.875	0.375	0.413	2.875	0.200	0.016
SU337300-018EU-P	3.375	3.000	0.187	0.207	3.000	0.200	0.008
SU337300-031EU-P	3.375	3.000	0.312	0.344	3.000	0.200	0.008
SU337300-037EU-P	3.375	3.000	0.375	0.413	3.000	0.200	0.008
SU337312-012EU-P	3.375	3.125	0.125	0.138	3.125	0.200	0.008
SU343300-021EU-P	3.437	3.000	0.218	0.241	3.000	0.200	0.008
SU350250-050EU-P	3.500	2.500	0.500	0.550	2.500	0.200	0.032
SU350250-075EU-P	3.500	2.500	0.750	0.825	2.500	0.200	0.032
SU350275-037EU-P	3.500	2.750	0.375	0.413	2.750	0.200	0.032
SU350275-050EU-P	3.500	2.750	0.500	0.550	2.750	0.200	0.032
SU350275-062EU-P	3.500	2.750	0.625	0.688	2.750	0.200	0.032
SU350287-031EU-P	3.500	2.875	0.312	0.344	2.875	0.200	0.032
SU350287-050EU-P	3.500	2.875	0.500	0.550	2.875	0.200	0.032
SU350300-025EU-P	3.500	3.000	0.250	0.275	3.000	0.200	0.016
SU350300-037EU-P	3.500	3.000	0.375	0.413	3.000	0.200	0.016
SU350312-018EU-P	3.500	3.125	0.187	0.207	3.125	0.200	0.008
SU350312-037EU-P	3.500	3.125	0.375	0.413	3.125	0.200	0.008
SU350325-012EU-P	3.500	3.250	0.125	0.138	3.250	0.200	0.008
SU352297-050EU-P	3.520	2.970	0.500	0.550	2.970	0.200	0.016
SU356281-037EU-P	3.562	2.812	0.375	0.413	2.812	0.200	0.032
SU362300-031EU-P	3.625	3.000	0.312	0.344	3.000	0.200	0.032
SU362300-037EU-P	3.625	3.000	0.375	0.413	3.000	0.200	0.032
SU362300-050EU-P	3.625	3.000	0.500	0.550	3.000	0.200	0.032
SU362312-025EU-P	3.625	3.125	0.250	0.275	3.125	0.200	0.016
SU362312-037EU-P	3.625	3.125	0.375	0.413	3.125	0.200	0.016
SU362325-018EU-P	3.625	3.250	0.187	0.207	3.250	0.200	0.008
SU362325-037EU-P	3.625	3.250	0.375	0.413	3.250	0.200	0.008
SU368293-037EU-P	3.687	2.938	0.375	0.413	2.938	0.200	0.032
SU375275-050EU-P	3.750	2.750	0.500	0.550	2.750	0.200	0.032
SU375300-037EU-P	3.750	3.000	0.375	0.413	3.000	0.200	0.032
SU375300-045EU-P	3.750	3.000	0.450	0.500	3.000	0.200	0.032
SU375300-050EU-P	3.750	3.000	0.500	0.550	3.000	0.200	0.032
SU375300-056EU-P	3.750	3.000	0.562	0.582	3.000	0.200	0.032
SU375300-062EU-P	3.750	3.000	0.625	0.688	3.000	0.200	0.032
SU375312-031EU-P	3.750	3.125	0.312	0.344	3.125	0.200	0.032
SU375318-050EU-P	3.750	3.187	0.500	0.550	3.187	0.200	0.016
SU375325-025EU-P	3.750	3.250	0.250	0.275	3.250	0.200	0.016
SU375325-037EU-P	3.750	3.250	0.375	0.413	3.250	0.200	0.016
SU375325-050EU-P	3.750	3.250	0.500	0.550	3.250	0.200	0.016

* Nominal Dimensions

Fluid **Power**

The Hydraulic Seal Specialists

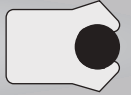
**SU-EU-P**Imperial **S**ingle Acting Rod or Piston **U**-Seal (**E**nergised **U**-Seal) in **P**olyurethane

Part Number	*ØD1	*Ød1	H	*L1	*ØG	min	max
						C	R1
SU375337-018EU-P	3.750	3.375	0.187	0.207	3.375	0.200	0.008
SU375337-025EU-P	3.750	3.375	0.250	0.275	3.375	0.200	0.008
SU375337-037EU-P	3.750	3.375	0.375	0.413	3.375	0.200	0.008
SU375350-012EU-P	3.750	3.500	0.125	0.138	3.500	0.200	0.008
SU377320-050EU-P	3.770	3.200	0.500	0.550	3.200	0.200	0.016
SU387312-037EU-P	3.875	3.125	0.375	0.413	3.125	0.200	0.032
SU387325-031EU-P	3.875	3.250	0.312	0.344	3.250	0.200	0.032
SU387325-050EU-P	3.875	3.250	0.500	0.550	3.250	0.200	0.032
SU387337-025EU-P	3.875	3.375	0.250	0.275	3.375	0.200	0.016
SU387350-018EU-P	3.875	3.500	0.187	0.207	3.500	0.200	0.008
SU387350-037EU-P	3.875	3.500	0.375	0.413	3.500	0.200	0.008
SU387362-012EU-P	3.875	3.625	0.125	0.138	3.625	0.200	0.008
SU400275-062EU-P	4.000	2.750	0.625	0.688	2.750	0.250	0.032
SU400300-050EU-P	4.000	3.000	0.500	0.550	3.000	0.250	0.032
SU400300-075EU-P	4.000	3.000	0.750	0.825	3.000	0.250	0.032
SU400312-043EU-P	4.000	3.125	0.437	0.481	3.125	0.250	0.032
SU400325-037EU-P	4.000	3.250	0.375	0.413	3.250	0.250	0.032
SU400325-050EU-P	4.000	3.250	0.500	0.550	3.250	0.250	0.032
SU400325-062EU-P	4.000	3.250	0.625	0.688	3.250	0.250	0.032
SU400337-031EU-P	4.000	3.375	0.312	0.344	3.375	0.250	0.032
SU400337-050EU-P	4.000	3.375	0.500	0.550	3.375	0.250	0.032
SU400337-062EU-P	4.000	3.375	0.625	0.688	3.375	0.250	0.032
SU400350-025EU-P	4.000	3.500	0.250	0.275	3.500	0.250	0.016
SU400350-037EU-P	4.000	3.500	0.375	0.413	3.500	0.250	0.016
SU400350-050EU-P	4.000	3.500	0.500	0.550	3.500	0.250	0.016
SU400362-018EU-P	4.000	3.625	0.187	0.207	3.625	0.250	0.008
SU400362-037EU-P	4.000	3.625	0.375	0.413	3.625	0.250	0.008
SU400375-012EU-P	4.000	3.750	0.125	0.138	3.750	0.250	0.008
SU412337-037EU-P	4.125	3.375	0.375	0.413	3.375	0.250	0.032
SU412337-062EU-P	4.125	3.375	0.625	0.688	3.375	0.250	0.032
SU412350-031EU-P	4.125	3.500	0.312	0.344	3.500	0.250	0.032
SU412350-050EU-P	4.125	3.500	0.500	0.550	3.500	0.250	0.032
SU412362-025EU-P	4.125	3.625	0.250	0.275	3.625	0.250	0.016
SU412362-037EU-P	4.125	3.625	0.375	0.413	3.625	0.250	0.016
SU412375-018EU-P	4.125	3.750	0.187	0.207	3.750	0.250	0.008
SU412375-037EU-P	4.125	3.750	0.375	0.413	3.750	0.250	0.008
SU419369-050EU-P	4.190	3.690	0.500	0.550	3.690	0.250	0.016
SU425300-062EU-P	4.250	3.000	0.625	0.688	3.000	0.250	0.032
SU425325-050EU-P	4.250	3.250	0.500	0.550	3.250	0.250	0.032
SU425325-075EU-P	4.250	3.250	0.750	0.825	3.250	0.250	0.032

235 * Nominal Dimensions

Fluid **Power**

The Hydraulic Seal Specialists

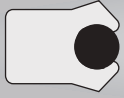
SU-EU-PImperial **S**ingle Acting Rod or Piston **U**-Seal (**E**nergised **U**-Seal) in **P**olyurethane

Part Number	*ØD1	*Ød1	H	*L1	*ØG	min	max
						C	R1
SU425350-037EU-P	4.250	3.500	0.375	0.413	3.500	0.250	0.032
SU425350-050EU-P	4.250	3.500	0.500	0.550	3.500	0.250	0.032
SU425350-053EU-P	4.250	3.500	0.530	0.580	3.500	0.250	0.032
SU425350-062EU-P	4.250	3.500	0.625	0.688	3.500	0.250	0.032
SU425362-031EU-P	4.250	3.625	0.312	0.344	3.625	0.250	0.032
SU425362-050EU-P	4.250	3.625	0.500	0.550	3.625	0.250	0.032
SU425375-025EU-P	4.250	3.750	0.250	0.275	3.750	0.250	0.016
SU425375-037EU-P	4.250	3.750	0.375	0.413	3.750	0.250	0.016
SU425375-050EU-P	4.250	3.750	0.500	0.550	3.750	0.250	0.016
SU425375-056EU-P	4.250	3.750	0.562	0.619	3.750	0.250	0.016
SU425387-018EU-P	4.250	3.875	0.187	0.207	3.875	0.250	0.008
SU425387-037EU-P	4.250	3.875	0.375	0.413	3.875	0.250	0.008
SU425400-012EU-P	4.250	4.000	0.125	0.138	4.000	0.250	0.008
SU427370-050EU-P	4.270	3.700	0.500	0.550	3.700	0.250	0.016
SU437362-037EU-P	4.375	3.625	0.375	0.413	3.625	0.250	0.032
SU437362-050EU-P	4.375	3.625	0.500	0.550	3.625	0.250	0.032
SU437362-062EU-P	4.375	3.625	0.625	0.688	3.625	0.250	0.032
SU437375-031EU-P	4.375	3.750	0.312	0.344	3.750	0.250	0.032
SU437375-037EU-P	4.375	3.750	0.375	0.413	3.750	0.250	0.032
SU437375-050EU-P	4.375	3.750	0.500	0.550	3.750	0.250	0.032
SU437375-062EU-P	4.375	3.750	0.625	0.688	3.750	0.250	0.032
SU437387-025EU-P	4.375	3.875	0.250	0.275	3.875	0.250	0.016
SU437387-037EU-P	4.375	3.875	0.375	0.413	3.875	0.250	0.016
SU437400-018EU-P	4.375	4.000	0.187	0.207	4.000	0.250	0.008
SU437400-037EU-P	4.375	4.000	0.375	0.413	4.000	0.250	0.008
SU450325-062EU-P	4.500	3.250	0.625	0.688	3.250	0.250	0.032
SU450350-050EU-P	4.500	3.500	0.500	0.550	3.500	0.250	0.032
SU450375-037EU-P	4.500	3.750	0.375	0.413	3.750	0.250	0.032
SU450375-050EU-P	4.500	3.750	0.500	0.550	3.750	0.250	0.032
SU450375-062EU-P	4.500	3.750	0.625	0.688	3.750	0.250	0.032
SU450387-031EU-P	4.500	3.875	0.312	0.344	3.875	0.250	0.032
SU450387-050EU-P	4.500	3.875	0.500	0.550	3.875	0.250	0.032
SU450400-025EU-P	4.500	4.000	0.250	0.275	4.000	0.250	0.016
SU450400-037EU-P	4.500	4.000	0.375	0.413	4.000	0.250	0.016
SU450400-050EU-P	4.500	4.000	0.500	0.550	4.000	0.250	0.016
SU450400-056EU-P	4.500	4.000	0.562	0.592	4.000	0.250	0.016
SU450412-018EU-P	4.500	4.125	0.187	0.207	4.125	0.250	0.008
SU450412-037EU-P	4.500	4.125	0.375	0.413	4.125	0.250	0.008
SU450425-012EU-P	4.500	4.250	0.125	0.138	4.250	0.250	0.008
SU452397-050EU-P	4.520	3.970	0.500	0.550	3.970	0.250	0.016

* Nominal Dimensions

Fluid Power

The Hydraulic Seal Specialists



SU-EU-P

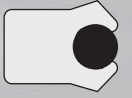
Imperial **S**ingle Acting Rod or Piston **U**-Seal (**E**nergised **U**-Seal) in **P**olyurethane

Part Number	*ØD1	*Ød1	H	*L1	*ØG	min	max
						C	R1
SU462387-037EU-P	4.625	3.875	0.375	0.413	3.875	0.250	0.032
SU462400-031EU-P	4.625	4.000	0.312	0.344	4.000	0.250	0.032
SU462400-056EU-P	4.625	4.000	0.562	0.592	4.000	0.250	0.032
SU462412-025EU-P	4.625	4.125	0.250	0.275	4.125	0.250	0.016
SU462412-037EU-P	4.625	4.125	0.375	0.413	4.125	0.250	0.016
SU462412-056EU-P	4.625	4.125	0.562	0.592	4.125	0.250	0.016
SU462425-018EU-P	4.625	4.250	0.187	0.207	4.250	0.250	0.008
SU462425-037EU-P	4.625	4.250	0.375	0.413	4.250	0.250	0.008
SU462437-012EU-P	4.625	4.375	0.125	0.138	4.375	0.250	0.008
SU475350-062EU-P	4.750	3.500	0.625	0.688	3.500	0.250	0.032
SU475375-050EU-P	4.750	3.750	0.500	0.550	3.750	0.250	0.032
SU475375-068EU-P	4.750	3.750	0.687	0.756	3.750	0.250	0.032
SU475387-075EU-P	4.750	3.875	0.750	0.825	3.875	0.250	0.032
SU475400-037EU-P	4.750	4.000	0.375	0.413	4.000	0.250	0.032
SU475400-050EU-P	4.750	4.000	0.500	0.550	4.000	0.250	0.032
SU475400-062EU-P	4.750	4.000	0.625	0.688	4.000	0.250	0.032
SU475412-031EU-P	4.750	4.125	0.312	0.344	4.125	0.250	0.032
SU475412-056EU-P	4.750	4.125	0.562	0.592	4.125	0.250	0.032
SU475425-025EU-P	4.750	4.250	0.250	0.275	4.250	0.250	0.016
SU475425-037EU-P	4.750	4.250	0.375	0.413	4.250	0.250	0.016
SU475425-056EU-P	4.750	4.250	0.562	0.592	4.250	0.250	0.016
SU475437-018EU-P	4.750	4.375	0.187	0.207	4.375	0.250	0.008
SU475437-037EU-P	4.750	4.375	0.375	0.413	4.375	0.250	0.008
SU475450-012EU-P	4.750	4.500	0.125	0.138	4.500	0.250	0.008
SU487412-037EU-P	4.875	4.125	0.375	0.413	4.125	0.250	0.032
SU487425-031EU-P	4.875	4.250	0.312	0.344	4.250	0.250	0.032
SU487425-056EU-P	4.875	4.250	0.562	0.592	4.250	0.250	0.032
SU487437-025EU-P	4.875	4.375	0.250	0.275	4.375	0.250	0.016
SU487437-056EU-P	4.875	4.375	0.562	0.592	4.375	0.250	0.016
SU487450-018EU-P	4.875	4.500	0.187	0.207	4.500	0.250	0.008
SU487450-037EU-P	4.875	4.500	0.375	0.413	4.500	0.250	0.008
SU500350-075EU-P	5.000	3.500	0.750	0.825	3.500	0.250	0.032
SU500375-062EU-P	5.000	3.750	0.625	0.688	3.750	0.250	0.032
SU500400-050EU-P	5.000	4.000	0.500	0.550	4.000	0.250	0.032
SU500400-067EU-P	5.000	4.000	0.675	0.733	4.000	0.250	0.032
SU500400-075EU-P	5.000	4.000	0.750	0.825	4.000	0.250	0.032
SU500425-037EU-P	5.000	4.250	0.375	0.413	4.250	0.250	0.032
SU500425-050EU-P	5.000	4.250	0.500	0.550	4.250	0.250	0.032
SU500425-062EU-P	5.000	4.250	0.625	0.688	4.250	0.250	0.032
SU500437-031EU-P	5.000	4.375	0.312	0.344	4.375	0.250	0.032

Fluid Power

The Hydraulic Seal Specialists

SU-EU-P

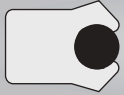
Imperial **S**ingle Acting Rod or Piston **U**-Seal (**E**nergised **U**-Seal) in **P**olyurethane

Part Number	*ØD1	*Ød1	H	*L1	*ØG	min	max
						C	R1
SU500437-050EU-P	5.000	4.375	0.500	0.550	4.375	0.250	0.032
SU500437-056EU-P	5.000	4.375	0.562	0.592	4.375	0.250	0.032
SU500450-025EU-P	5.000	4.500	0.250	0.275	4.500	0.250	0.016
SU500450-031EU-P	5.000	4.500	0.312	0.344	4.500	0.250	0.016
SU500450-037EU-P	5.000	4.500	0.375	0.413	4.500	0.250	0.016
SU500450-050EU-P	5.000	4.500	0.500	0.550	4.500	0.250	0.016
SU500450-056EU-P	5.000	4.500	0.562	0.592	4.500	0.250	0.016
SU500450-062EU-P	5.000	4.500	0.625	0.688	4.500	0.250	0.016
SU500462-018EU-P	5.000	4.625	0.187	0.207	4.625	0.250	0.008
SU500462-037EU-P	5.000	4.625	0.375	0.413	4.625	0.250	0.008
SU500475-012EU-P	5.000	4.750	0.125	0.138	4.750	0.250	0.008
SU512437-037EU-P	5.125	4.375	0.375	0.413	4.375	0.250	0.032
SU512437-062EU-P	5.125	4.375	0.625	0.688	4.375	0.250	0.032
SU512450-031EU-P	5.125	4.500	0.312	0.344	4.500	0.250	0.032
SU512450-050EU-P	5.125	4.500	0.500	0.550	4.500	0.250	0.032
SU512450-062EU-P	5.125	4.500	0.625	0.688	4.500	0.250	0.032
SU512462-025EU-P	5.125	4.625	0.250	0.275	4.625	0.250	0.016
SU512462-056EU-P	5.125	4.625	0.562	0.592	4.625	0.250	0.016
SU512475-018EU-P	5.125	4.750	0.187	0.207	4.750	0.250	0.008
SU525400-062EU-P	5.250	4.000	0.625	0.688	4.000	0.250	0.032
SU525425-050EU-P	5.250	4.250	0.500	0.550	4.250	0.250	0.032
SU525425-075EU-P	5.250	4.250	0.750	0.825	4.250	0.250	0.032
SU525450-037EU-P	5.250	4.500	0.375	0.413	4.500	0.250	0.032
SU525450-062EU-P	5.250	4.500	0.625	0.688	4.500	0.250	0.032
SU525462-062EU-P	5.250	4.625	0.625	0.688	4.625	0.250	0.032
SU525475-025EU-P	5.250	4.750	0.250	0.275	4.750	0.250	0.016
SU525475-037EU-P	5.250	4.750	0.375	0.413	4.750	0.250	0.016
SU525475-056EU-P	5.250	4.750	0.562	0.592	4.750	0.250	0.016
SU525487-018EU-P	5.250	4.875	0.187	0.207	4.875	0.250	0.008
SU537450-043EU-P	5.375	4.500	0.437	0.481	4.500	0.250	0.032
SU537462-037EU-P	5.375	4.625	0.375	0.413	4.625	0.250	0.032
SU537462-062EU-P	5.375	4.625	0.625	0.688	4.625	0.250	0.032
SU537475-031EU-P	5.375	4.750	0.312	0.344	4.750	0.250	0.032
SU537475-062EU-P	5.375	4.750	0.625	0.688	4.750	0.250	0.032
SU537487-025EU-P	5.375	4.875	0.250	0.275	4.875	0.250	0.016
SU537500-018EU-P	5.375	5.000	0.187	0.207	5.000	0.250	0.008
SU537500-031EU-P	5.375	5.000	0.312	0.344	5.000	0.250	0.008
SU537500-037EU-P	5.375	5.000	0.375	0.413	5.000	0.250	0.008
SU550425-062EU-P	5.500	4.250	0.625	0.688	4.250	0.250	0.032
SU550450-050EU-P	5.500	4.500	0.500	0.550	4.500	0.250	0.032

* Nominal Dimensions

Fluid **Power**

The Hydraulic Seal Specialists

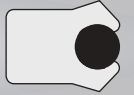
**SU-EU-P**Imperial **S**ingle Acting Rod or Piston **U**-Seal (**E**nergised **U**-Seal) in **P**olyurethane

Part Number	*ØD1	*Ød1	H	*L1	*ØG	min	max
						C	R1
SU550450-075EU-P	5.500	4.500	0.750	0.825	4.500	0.250	0.032
SU550475-037EU-P	5.500	4.750	0.375	0.413	4.750	0.250	0.032
SU550475-050EU-P	5.500	4.750	0.500	0.550	4.750	0.250	0.032
SU550475-062EU-P	5.500	4.750	0.625	0.688	4.750	0.250	0.032
SU550487-031EU-P	5.500	4.875	0.312	0.344	4.875	0.250	0.032
SU550500-025EU-P	5.500	5.000	0.250	0.275	5.000	0.250	0.016
SU550500-037EU-P	5.500	5.000	0.375	0.413	5.000	0.250	0.016
SU550500-050EU-P	5.500	5.000	0.500	0.550	5.000	0.250	0.016
SU550500-056EU-P	5.500	5.000	0.562	0.592	5.000	0.250	0.016
SU552497-050EU-P	5.520	4.970	0.500	0.550	4.970	0.250	0.016
SU562475-043EU-P	5.625	4.750	0.437	0.481	4.750	0.250	0.032
SU562475-075EU-P	5.625	4.750	0.750	0.825	4.750	0.250	0.032
SU562487-037EU-P	5.625	4.875	0.375	0.413	4.875	0.250	0.032
SU562487-062EU-P	5.625	4.875	0.625	0.688	4.875	0.250	0.032
SU562500-031EU-P	5.625	5.000	0.312	0.344	5.000	0.250	0.032
SU562500-062EU-P	5.625	5.000	0.625	0.688	5.000	0.250	0.032
SU562512-025EU-P	5.625	5.125	0.250	0.275	5.125	0.250	0.016
SU562525-037EU-P	5.625	5.250	0.375	0.413	5.250	0.250	0.008
SU575475-050EU-P	5.750	4.750	0.500	0.550	4.750	0.250	0.032
SU575475-068EU-P	5.750	4.750	0.688	0.756	4.750	0.250	0.032
SU575500-037EU-P	5.750	5.000	0.375	0.413	5.000	0.250	0.032
SU575500-062EU-P	5.750	5.000	0.625	0.688	5.000	0.250	0.032
SU575512-031EU-P	5.750	5.125	0.312	0.344	5.125	0.250	0.032
SU575525-025EU-P	5.750	5.250	0.250	0.275	5.250	0.250	0.016
SU575525-037EU-P	5.750	5.250	0.375	0.413	5.250	0.250	0.016
SU575525-056EU-P	5.750	5.250	0.562	0.592	5.250	0.250	0.016
SU587525-031EU-P	5.875	5.250	0.312	0.344	5.250	0.250	0.032
SU587525-037EU-P	5.875	5.250	0.375	0.413	5.250	0.250	0.032
SU587525-062EU-P	5.875	5.250	0.625	0.688	5.250	0.250	0.032
SU587537-025EU-P	5.875	5.375	0.250	0.275	5.375	0.250	0.016
SU587550-037EU-P	5.875	5.500	0.375	0.413	5.500	0.250	0.008
SU600450-075EU-P	6.000	4.500	0.750	0.825	4.500	0.250	0.032
SU600475-062EU-P	6.000	4.750	0.625	0.688	4.750	0.250	0.032
SU600475-075EU-P	6.000	4.750	0.750	0.825	4.750	0.250	0.032
SU600500-050EU-P	6.000	5.000	0.500	0.550	5.000	0.250	0.032
SU600500-075EU-P	6.000	5.000	0.750	0.825	5.000	0.250	0.032
SU600512-043EU-P	6.000	5.125	0.437	0.481	5.125	0.250	0.032
SU600525-037EU-P	6.000	5.250	0.375	0.413	5.250	0.250	0.032
SU600525-050EU-P	6.000	5.250	0.500	0.550	5.250	0.250	0.032
SU600525-062EU-P	6.000	5.250	0.625	0.688	5.250	0.250	0.032

Fluid Power

The Hydraulic Seal Specialists

SU-EU-P

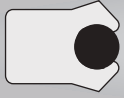
Imperial **S**ingle Acting Rod or Piston **U**-Seal (**E**nergised **U**-Seal) in **P**olyurethane

Part Number	*ØD1	*Ød1	H	*L1	*ØG	min	max
						C	R1
SU600537-031EU-P	6.000	5.375	0.312	0.344	5.375	0.250	0.032
SU600537-062EU-P	6.000	5.375	0.625	0.688	5.375	0.250	0.032
SU600543-028EU-P	6.000	5.437	0.281	0.309	5.437	0.250	0.016
SU600543-056EU-P	6.000	5.437	0.562	0.592	5.437	0.250	0.016
SU600550-025EU-P	6.000	5.500	0.250	0.275	5.500	0.250	0.016
SU600550-037EU-P	6.000	5.500	0.375	0.413	5.500	0.250	0.016
SU600550-050EU-P	6.000	5.500	0.500	0.550	5.500	0.250	0.016
SU600550-056EU-P	6.000	5.500	0.562	0.592	5.500	0.250	0.016
SU600550-062EU-P	6.000	5.500	0.625	0.688	5.500	0.250	0.016
SU612525-043EU-P	6.125	5.250	0.437	0.481	5.250	0.250	0.032
SU612537-037EU-P	6.125	5.375	0.375	0.413	5.375	0.250	0.032
SU612537-062EU-P	6.125	5.375	0.625	0.688	5.375	0.250	0.032
SU612550-031EU-P	6.125	5.500	0.312	0.344	5.500	0.250	0.032
SU612550-062EU-P	6.125	5.500	0.625	0.688	5.500	0.250	0.032
SU612562-025EU-P	6.125	5.625	0.250	0.275	5.625	0.250	0.016
SU625500-062EU-P	6.250	5.000	0.625	0.688	5.000	0.250	0.032
SU625525-050EU-P	6.250	5.250	0.500	0.550	5.250	0.250	0.032
SU625525-075EU-P	6.250	5.250	0.750	0.825	5.250	0.250	0.032
SU625550-037EU-P	6.250	5.500	0.375	0.413	5.500	0.250	0.032
SU625550-062EU-P	6.250	5.500	0.625	0.688	5.500	0.250	0.032
SU625562-031EU-P	6.250	5.625	0.312	0.344	5.625	0.250	0.032
SU625575-025EU-P	6.250	5.750	0.250	0.275	5.750	0.250	0.016
SU625575-037EU-P	6.250	5.750	0.375	0.413	5.750	0.250	0.016
SU625575-056EU-P	6.250	5.750	0.562	0.592	5.750	0.250	0.016
SU637537-075EU-P	6.375	5.375	0.750	0.825	5.375	0.250	0.032
SU637575-062EU-P	6.375	5.750	0.625	0.688	5.750	0.250	0.032
SU637600-018EU-P	6.375	6.000	0.187	0.207	6.000	0.250	0.008
SU650525-062EU-P	6.500	5.250	0.625	0.688	5.250	0.250	0.032
SU650550-050EU-P	6.500	5.500	0.500	0.550	5.500	0.250	0.032
SU650550-075EU-P	6.500	5.500	0.750	0.825	5.500	0.250	0.032
SU650575-037EU-P	6.500	5.750	0.375	0.413	5.750	0.250	0.016
SU650575-062EU-P	6.500	5.750	0.625	0.688	5.750	0.250	0.032
SU650587-031EU-P	6.500	5.875	0.312	0.344	5.875	0.250	0.032
SU650600-025EU-P	6.500	6.000	0.250	0.275	6.000	0.250	0.016
SU650600-037EU-P	6.500	6.000	0.375	0.413	6.000	0.250	0.016
SU650600-056EU-P	6.500	6.000	0.562	0.592	6.000	0.250	0.016
SU662587-037EU-P	6.625	5.875	0.375	0.413	5.875	0.250	0.032
SU662587-062EU-P	6.625	5.875	0.625	0.688	5.875	0.250	0.032
SU662600-031EU-P	6.625	6.000	0.312	0.344	6.000	0.250	0.032
SU662600-062EU-P	6.625	6.000	0.625	0.688	6.000	0.250	0.032

* Nominal Dimensions

Fluid **Power**

The Hydraulic Seal Specialists

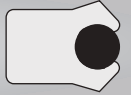
**SU-EU-P**Imperial **S**ingle Acting Rod or Piston **U**-Seal (**E**nergised **U**-Seal) in **P**olyurethane

Part Number	*ØD1	*Ød1	H	*L1	*ØG	min	max
						C	R1
SU675575-050EU-P	6.750	5.750	0.500	0.550	5.750	0.250	0.032
SU675550-062EU-P	6.750	5.500	0.625	0.688	5.500	0.250	0.032
SU675600-037EU-P	6.750	6.000	0.375	0.413	6.000	0.250	0.032
SU675600-062EU-P	6.750	6.000	0.625	0.688	6.000	0.250	0.032
SU675612-031EU-P	6.750	6.125	0.312	0.344	6.125	0.250	0.032
SU675625-025EU-P	6.750	6.250	0.250	0.275	6.250	0.250	0.016
SU675625-037EU-P	6.750	6.250	0.375	0.413	6.250	0.250	0.016
SU675625-056EU-P	6.750	6.250	0.562	0.592	6.250	0.250	0.016
SU687625-031EU-P	6.875	6.250	0.312	0.344	6.250	0.250	0.032
SU700575-062EU-P	7.000	5.750	0.625	0.688	5.750	0.250	0.032
SU700600-050EU-P	7.000	6.000	0.500	0.550	6.000	0.250	0.032
SU700600-075EU-P	7.000	6.000	0.750	0.825	6.000	0.250	0.032
SU700625-037EU-P	7.000	6.250	0.375	0.413	6.250	0.250	0.032
SU700625-050EU-P	7.000	6.250	0.500	0.550	6.250	0.250	0.032
SU700625-062EU-P	7.000	6.250	0.625	0.688	6.250	0.250	0.032
SU700637-031EU-P	7.000	6.375	0.312	0.344	6.375	0.250	0.032
SU700637-062EU-P	7.000	6.375	0.625	0.688	6.375	0.250	0.032
SU700650-025EU-P	7.000	6.500	0.250	0.275	6.500	0.250	0.016
SU700650-037EU-P	7.000	6.500	0.375	0.413	6.500	0.250	0.016
SU700650-056EU-P	7.000	6.500	0.562	0.592	6.500	0.250	0.016
SU712637-037EU-P	7.125	6.375	0.375	0.413	6.375	0.250	0.032
SU712650-031EU-P	7.125	6.500	0.312	0.344	6.500	0.250	0.032
SU712650-062EU-P	7.125	6.500	0.625	0.688	6.500	0.250	0.032
SU725600-062EU-P	7.250	6.000	0.625	0.688	6.000	0.250	0.032
SU725625-050EU-P	7.250	6.250	0.500	0.550	6.250	0.250	0.032
SU725650-037EU-P	7.250	6.500	0.375	0.413	6.500	0.250	0.032
SU725650-050EU-P	7.250	6.500	0.500	0.550	6.500	0.250	0.032
SU725650-062EU-P	7.250	6.500	0.625	0.688	6.500	0.250	0.032
SU725662-031EU-P	7.250	6.625	0.312	0.344	6.625	0.250	0.032
SU725675-025EU-P	7.250	6.750	0.250	0.275	6.750	0.250	0.016
SU725675-037EU-P	7.250	6.750	0.375	0.413	6.750	0.250	0.016
SU725675-056EU-P	7.250	6.750	0.562	0.592	6.750	0.250	0.016
SU750625-062EU-P	7.500	6.250	0.625	0.688	6.250	0.250	0.032
SU750650-050EU-P	7.500	6.500	0.500	0.550	6.500	0.250	0.032
SU750650-075EU-P	7.500	6.500	0.750	0.825	6.500	0.250	0.032
SU750675-062EU-P	7.500	6.750	0.625	0.688	6.750	0.250	0.032
SU750700-025EU-P	7.500	7.000	0.250	0.275	7.000	0.250	0.016
SU750700-037EU-P	7.500	7.000	0.375	0.413	7.000	0.250	0.016
SU750700-056EU-P	7.500	7.000	0.562	0.592	7.000	0.250	0.016
SU762687-062EU-P	7.625	6.875	0.625	0.688	6.875	0.250	0.032

Fluid Power

The Hydraulic Seal Specialists

SU-EU-P

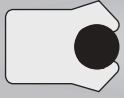
Imperial **S**ingle Acting Rod or Piston **U**-Seal (**E**nergised **U**-Seal) in **P**olyurethane

Part Number	*ØD1	*Ød1	H	*L1	*ØG	min	max
						C	R1
SU762700-031EU-P	7.625	7.000	0.312	0.344	7.000	0.250	0.032
SU775675-075EU-P	7.750	6.750	0.750	0.825	6.750	0.250	0.032
SU775700-037EU-P	7.750	7.000	0.375	0.413	7.000	0.250	0.032
SU775700-050EU-P	7.750	7.000	0.500	0.550	7.000	0.250	0.032
SU775700-062EU-P	7.750	7.000	0.625	0.688	7.000	0.250	0.032
SU775725-025EU-P	7.750	7.250	0.250	0.275	7.250	0.250	0.016
SU775725-056EU-P	7.750	7.250	0.562	0.592	7.250	0.250	0.016
SU787725-031EU-P	7.875	7.250	0.312	0.344	7.250	0.250	0.032
SU800650-075EU-P	8.000	6.500	0.750	0.825	6.500	0.250	0.032
SU800700-050EU-P	8.000	7.000	0.500	0.550	7.000	0.375	0.032
SU800700-075EU-P	8.000	7.000	0.750	0.825	7.000	0.375	0.032
SU800725-037EU-P	8.000	7.250	0.375	0.413	7.250	0.375	0.032
SU800725-050EU-P	8.000	7.250	0.500	0.550	7.250	0.375	0.032
SU800725-062EU-P	8.000	7.250	0.625	0.688	7.250	0.375	0.032
SU800737-031EU-P	8.000	7.375	0.312	0.344	7.375	0.375	0.032
SU800750-025EU-P	8.000	7.500	0.250	0.275	7.500	0.375	0.016
SU800750-056EU-P	8.000	7.500	0.562	0.592	7.500	0.375	0.016
SU812750-031EU-P	8.125	7.500	0.312	0.344	7.500	0.375	0.032
SU825700-100EU-P	8.250	7.000	1.000	1.100	7.000	0.375	0.032
SU825725-050EU-P	8.250	7.250	0.500	0.550	7.250	0.375	0.032
SU825750-037EU-P	8.250	7.500	0.375	0.413	7.500	0.375	0.032
SU825750-050EU-P	8.250	7.500	0.500	0.550	7.500	0.375	0.032
SU825750-062EU-P	8.250	7.500	0.625	0.688	7.500	0.375	0.032
SU825775-025EU-P	8.250	7.750	0.250	0.275	7.750	0.375	0.016
SU837762-037EU-P	8.375	7.625	0.375	0.413	7.625	0.375	0.032
SU850700-075EU-P	8.500	7.000	0.750	0.825	7.000	0.375	0.032
SU850750-050EU-P	8.500	7.500	0.500	0.550	7.500	0.375	0.032
SU850750-075EU-P	8.500	7.500	0.750	0.825	7.500	0.375	0.032
SU850775-037EU-P	8.500	7.750	0.375	0.413	7.750	0.375	0.032
SU850775-062EU-P	8.500	7.750	0.625	0.688	7.750	0.375	0.032
SU850787-062EU-P	8.500	7.875	0.625	0.688	7.875	0.375	0.032
SU850800-025EU-P	8.500	8.000	0.250	0.275	8.000	0.375	0.016
SU850800-056EU-P	8.500	8.000	0.562	0.592	8.000	0.375	0.016
SU862800-031EU-P	8.625	8.000	0.312	0.344	8.000	0.375	0.032
SU862800-062EU-P	8.625	8.000	0.625	0.688	8.000	0.375	0.032
SU862812-056EU-P	8.625	8.125	0.562	0.592	8.125	0.375	0.016
SU875750-100EU-P	8.750	7.500	1.000	1.100	7.500	0.375	0.032
SU875775-050EU-P	8.750	7.750	0.500	0.550	7.750	0.375	0.032
SU875800-037EU-P	8.750	8.000	0.375	0.413	8.000	0.375	0.032
SU875800-050EU-P	8.750	8.000	0.500	0.550	8.000	0.375	0.032

* Nominal Dimensions

Fluid Power

The Hydraulic Seal Specialists



SU-EU-P

Imperial **S**ingle Acting Rod or Piston **U**-Seal (**E**nergised **U**-Seal) in **P**olyurethane

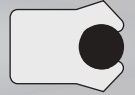
Part Number	*ØD1	*Ød1	H	*L1	*ØG	min	max
						C	R1
SU875800-062EU-P	8.750	8.000	0.625	0.688	8.000	0.375	0.032
SU875825-056EU-P	8.750	8.250	0.562	0.592	8.250	0.375	0.016
SU900800-050EU-P	9.000	8.000	0.500	0.550	8.000	0.375	0.032
SU900800-075EU-P	9.000	8.000	0.750	0.825	8.000	0.375	0.032
SU900825-037EU-P	9.000	8.250	0.375	0.413	8.250	0.375	0.032
SU900825-062EU-P	9.000	8.250	0.625	0.688	8.250	0.375	0.032
SU900850-025EU-P	9.000	8.500	0.250	0.275	8.500	0.375	0.016
SU900850-056EU-P	9.000	8.500	0.562	0.592	8.500	0.375	0.016
SU925800-062EU-P	9.250	8.000	0.625	0.688	8.000	0.375	0.032
SU925875-025EU-P	9.250	8.750	0.250	0.275	8.750	0.375	0.032
SU950800-075EU-P	9.500	8.000	0.750	0.825	8.000	0.375	0.032
SU950825-100EU-P	9.500	8.250	1.000	1.100	8.250	0.375	0.032
SU950850-050EU-P	9.500	8.500	0.500	0.550	8.500	0.375	0.032
SU950850-075EU-P	9.500	8.500	0.750	0.825	8.500	0.375	0.032
SU950875-062EU-P	9.500	8.750	0.625	0.688	8.750	0.375	0.032
SU950900-025EU-P	9.500	9.000	0.250	0.275	9.000	0.375	0.032
SU975850-062EU-P	9.750	8.500	0.625	0.688	8.500	0.375	0.032
SU975875-050EU-P	9.750	8.750	0.500	0.550	8.750	0.375	0.032
SU975900-037EU-P	9.750	9.000	0.375	0.413	9.000	0.375	0.032
SU975900-062EU-P	9.750	9.000	0.625	0.688	9.000	0.375	0.032
SU1000900-050EU-P	10.000	9.000	0.500	0.550	9.000	0.375	0.032
SU1000900-075EU-P	10.000	9.000	0.750	0.825	9.000	0.375	0.032
SU1000925-037EU-P	10.000	9.250	0.375	0.413	9.250	0.375	0.032
SU1000925-050EU-P	10.000	9.250	0.500	0.550	9.250	0.375	0.032
SU1000925-062EU-P	10.000	9.250	0.625	0.688	9.250	0.375	0.032
SU1000931-034EU-P	10.000	9.312	0.343	0.377	9.312	0.375	0.032
SU1000937-062EU-P	10.000	9.375	0.625	0.688	9.375	0.375	0.032
SU1000950-025EU-P	10.000	9.500	0.250	0.275	9.500	0.375	0.016
SU1000950-056EU-P	10.000	9.500	0.562	0.592	9.500	0.375	0.016
SU1025900-062EU-P	10.250	9.000	0.625	0.688	9.000	0.375	0.032
SU1025925-075EU-P	10.250	9.250	0.750	0.825	9.250	0.375	0.032
SU1025950-037EU-P	10.250	9.500	0.375	0.413	9.500	0.375	0.032
SU1025950-062EU-P	10.250	9.500	0.625	0.688	9.500	0.375	0.032
SU1025975-025EU-P	10.250	9.750	0.250	0.275	9.750	0.375	0.032
SU1025975-056EU-P	10.250	9.750	0.562	0.592	9.750	0.375	0.032
SU1050900-075EU-P	10.500	9.000	0.750	0.825	9.000	0.375	0.032
SU1050950-050EU-P	10.500	9.500	0.500	0.550	9.500	0.375	0.032
SU1050975-037EU-P	10.500	9.750	0.375	0.413	9.750	0.375	0.032
SU1050975-062EU-P	10.500	9.750	0.625	0.625	9.750	0.375	0.032
SU10501000-025EU-P	10.500	10.000	0.250	0.275	10.000	0.375	0.032

Fluid Power

The Hydraulic Seal Specialists

SU-EU-P

Imperial **S**ingle Acting Rod or Piston **U**-Seal (**E**nergised **U**-Seal) in **P**olyurethane

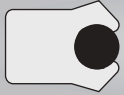


Part Number	*ØD1	*Ød1	H	*L1	*ØG	min	max
						C	R1
SU10501000-056EU-P	10.500	10.000	0.562	0.592	10.000	0.375	0.032
SU1075950-062EU-P	10.750	9.500	0.625	0.688	9.500	0.375	0.032
SU10751000-037EU-P	10.750	10.000	0.375	0.413	10.000	0.375	0.032
SU10751000-062EU-P	10.750	10.000	0.625	0.688	10.000	0.375	0.032
SU10751025-025EU-P	10.750	10.250	0.250	0.275	10.250	0.375	0.016
SU1100950-075EU-P	11.000	9.500	0.750	0.825	9.500	0.375	0.032
SU1100975-062EU-P	11.000	9.750	0.625	0.688	9.750	0.375	0.032
SU11001000-075EU-P	11.000	10.000	0.750	0.825	10.000	0.375	0.032
SU11251000-100EU-P	11.250	10.000	1.000	1.100	10.000	0.375	0.032
SU11251050-062EU-P	11.250	10.500	0.625	0.688	10.500	0.375	0.032
SU11501000-075EU-P	11.500	10.000	0.750	0.825	10.000	0.375	0.032
SU11501050-050EU-P	11.500	10.500	0.500	0.550	10.500	0.375	0.032
SU11501075-062EU-P	11.500	10.750	0.625	0.688	10.750	0.375	0.032
SU11621062-075EU-P	11.625	10.625	0.750	0.825	10.625	0.375	0.032
SU11751100-062EU-P	11.750	11.000	0.625	0.688	11.000	0.375	0.032
SU12001000-100EU-P	12.000	10.000	1.000	1.100	10.000	0.375	0.032
SU12001050-075EU-P	12.000	10.500	0.750	0.825	10.500	0.375	0.032
SU12001100-050EU-P	12.000	11.000	0.500	0.550	11.000	0.375	0.032
SU12001100-075EU-P	12.000	11.000	0.750	0.825	11.000	0.375	0.032
SU12001125-037EU-P	12.000	11.250	0.375	0.413	11.250	0.375	0.032
SU12001125-062EU-P	12.000	11.250	0.625	0.688	11.250	0.375	0.032
SU12251150-062EU-P	12.250	11.500	0.625	0.688	11.500	0.375	0.032
SU12251175-025EU-P	12.250	11.750	0.250	0.275	11.750	0.375	0.032
SU12501100-075EU-P	12.500	11.000	0.750	0.825	11.000	0.375	0.032
SU12501150-075EU-P	12.500	11.500	0.750	0.825	11.500	0.375	0.032
SU12751150-100EU-P	12.750	11.500	1.000	1.100	11.500	0.375	0.032
SU12751200-037EU-P	12.750	12.000	0.375	0.413	12.000	0.375	0.032
SU12751200-062EU-P	12.750	12.000	0.625	0.688	12.000	0.375	0.032
SU13001200-075EU-P	13.000	12.000	0.750	0.825	12.000	0.375	0.032
SU13001225-037EU-P	13.000	12.250	0.375	0.413	12.250	0.375	0.032
SU13251200-062EU-P	13.250	12.000	0.625	0.688	12.000	0.375	0.032
SU14001200-150EU-P	14.000	12.000	1.500	1.650	12.000	0.375	0.032
SU14001250-075EU-P	14.000	12.500	0.750	0.825	12.500	0.375	0.032
SU14001300-050EU-P	14.000	13.000	0.500	0.550	13.000	0.375	0.032
SU14001300-075EU-P	14.000	13.000	0.750	0.825	13.000	0.375	0.032
SU14001312-043EU-P	14.000	13.125	0.437	0.481	13.125	0.375	0.032
SU14001325-037EU-P	14.000	13.250	0.375	0.413	13.250	0.375	0.032
SU14001350-053EU-P	14.000	13.500	0.531	0.584	13.500	0.375	0.016
SU14501350-075EU-P	14.500	13.500	0.750	0.825	13.500	0.375	0.032
SU14501375-037EU-P	14.500	13.750	0.375	0.413	13.750	0.375	0.032

* Nominal Dimensions

Fluid Power

The Hydraulic Seal Specialists



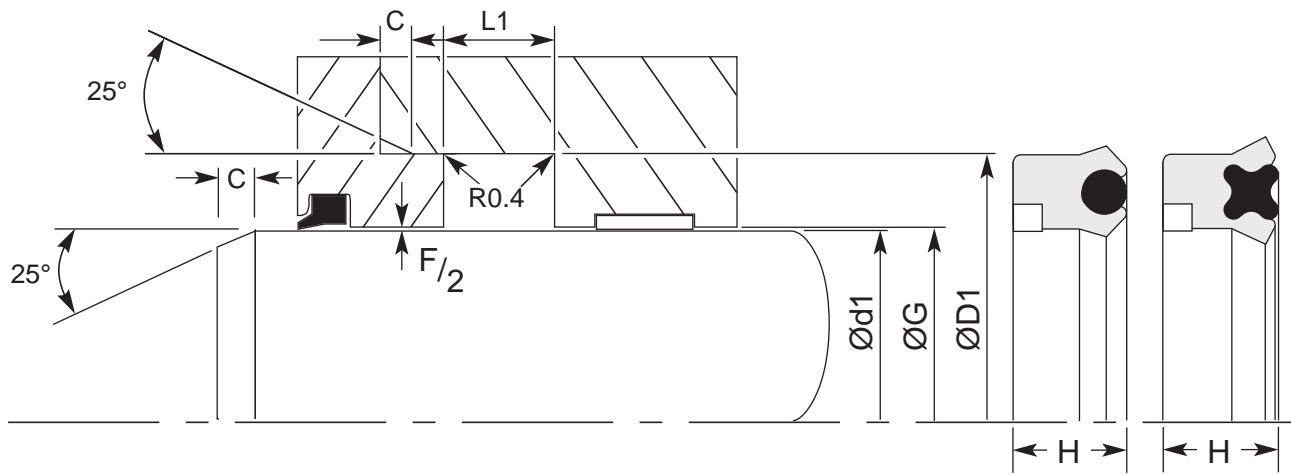
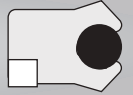
SU-EU-P

Imperial **S**ingle Acting Rod or Piston **U**-Seal (**E**nergised **U**-Seal) in **P**olyurethane

Part Number	*ØD1	*Ød1	H	*L1	*ØG	min	max
						C	R1
SU15001400-075EU-P	15.000	14.000	0.750	0.825	14.000	0.375	0.032
SU15001425-062EU-P	15.000	14.250	0.625	0.688	14.250	0.375	0.032
SU15251400-100EU-P	15.250	14.000	1.000	1.100	14.000	0.375	0.032
SU15501400-075EU-P	15.500	14.000	0.750	0.825	14.000	0.375	0.032
SU16001400-150EU-P	16.000	14.000	1.500	1.650	14.000	0.375	0.032
SU16001450-075EU-P	16.000	14.500	0.750	0.825	14.500	0.375	0.032
SU16001475-100EU-P	16.000	14.750	1.000	1.100	14.750	0.375	0.032
SU16001500-050EU-P	16.000	15.000	0.500	0.550	15.000	0.375	0.032
SU16001500-075EU-P	16.000	15.000	0.750	0.825	15.000	0.375	0.032
SU16501550-075EU-P	16.500	15.500	0.750	0.825	15.500	0.375	0.032
SU17001500-100EU-P	17.000	15.000	1.000	1.100	15.000	0.375	0.032
SU17001600-075EU-P	17.000	16.000	0.750	0.825	16.000	0.375	0.032
SU17501600-075EU-P	17.500	16.000	0.750	0.825	16.000	0.375	0.032
SU18001600-100EU-P	18.000	16.000	1.000	1.100	16.000	0.375	0.032
SU18001650-075EU-P	18.000	16.500	0.750	0.825	16.500	0.375	0.032
SU18001700-075EU-P	18.000	17.000	0.750	0.825	17.000	0.375	0.032
SU19251800-100EU-P	19.250	18.000	1.000	1.100	18.000	0.375	0.032
SU19501800-075EU-P	19.500	18.000	0.750	0.825	18.000	0.375	0.032
SU20001800-100EU-P	20.000	18.000	1.000	1.100	18.000	0.375	0.032
SU20251950-037EU-P	20.250	19.500	0.375	0.413	19.500	0.375	0.032
SU21001900-100EU-P	21.000	19.000	1.000	1.100	19.000	0.375	0.032
SU22002000-100EU-P	22.000	20.000	1.000	1.100	20.000	0.375	0.032
SU22002050-075EU-P	22.000	20.500	0.750	0.825	20.500	0.375	0.032
SU22002100-050EU-P	22.000	21.000	0.500	0.550	21.000	0.375	0.032
SU24502350-050EU-P	24.500	23.500	0.500	0.550	23.500	0.375	0.032
SU25252400-062EU-P	25.250	24.000	0.625	0.688	24.000	0.375	0.032
SU27502650-050EU-P	27.500	26.500	0.500	0.550	26.500	0.375	0.032
SU28002700-050EU-P	28.000	27.000	0.500	0.550	27.000	0.375	0.032
SU29502850-050EU-P	29.500	28.500	0.500	0.550	28.500	0.375	0.032
SU32003100-050EU-P	32.000	31.000	0.500	0.550	31.000	0.375	0.032
SU33003200-050EU-P	33.000	32.000	0.500	0.550	32.000	0.375	0.032
SU37003600-050EU-P	37.000	36.000	0.500	0.550	36.000	0.375	0.032
SU37753675-050EU-P	37.500	36.750	0.500	0.550	36.750	0.375	0.032
SU41004000-050EU-P	41.000	40.000	0.500	0.550	40.000	0.375	0.032
SU42004100-050EU-P	42.000	41.000	0.500	0.550	41.000	0.375	0.032

SU-EU-EI-P

Metric **S**ingle Acting Rod **U**-Seal **E**nergised **U**-Seal **E**xtrusion **I**nternal in **P**olyurethane



Maximum Diametrical Clearance F					
Pressure	Bar	200	300	400	500
Maximum Gap	mm	0.70	0.55	0.45	0.40

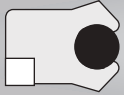
Tolerances			
ØD1	Ød1	L1	ØG
+0.10 -0.00	f7	+0.25/-0.00	H9

Operating Conditions	
Max Speed	Temp Range
m/s	-30° to 100°C
0.50	300 Bar
0.15	500 Bar

SU-EU-EI-P is a symmetrical seal specifically designed for rod applications. Manufactured in a high performance Polyurethane which has a high abrasion resistance, a low compression set and a high resistance to extrusion. The Polyurethane properties and seal design give efficient fluid sealing, reduced friction values and low wear rate. The seal is preloaded by either an o-ring or a quad ring which enables the seal to work effectively under low pressure. The seal comes with an anti-extrusion ring which helps prevent extrusion of the seal and allows greater clearances and higher pressures.

Fluid Power

The Hydraulic Seal Specialists



SU-EU-EI-P

Metric **S**ingle Acting Rod **U**-Seal **E**nergised **U**-Seal **E**xtrusion **I**nternal in **P**olyurethane

Part Number	*ØD1	*Ød1	H	*L1	*ØG	C	min
SU28 20 6.3EU-EI-P	28.00	20.00	6.30	7.00	20.00	5.00	
SU50-35-9.5EU-EI-P	50.00	35.00	9.50	10.50	35.00	5.00	
SU50-40-7.3EU-EI-P	50.00	40.00	7.30	8.30	40.00	4.00	
SU55-40-11.5EU-EI-P	55.00	40.00	11.50	12.50	40.00	5.00	
SU60-45-11.4EU-EI-P	60.00	45.00	11.40	12.40	45.00	5.00	
SU60-50-7.3EU-EI-P	60.00	50.00	7.30	8.30	50.00	4.00	
SU65-50-11.5EU-EI-P	65.00	50.00	11.50	12.50	50.00	5.00	
SU68-55-13EU-EI-P	68.00	55.00	13.00	14.00	55.00	4.50	
SU70-55-11.5EU-EI-P	70.00	55.00	11.50	12.50	55.00	5.00	
SU71-56-11.4EU-EI-P	71.00	56.00	11.40	12.50	56.00	5.00	
SU73-60-13EU-EI-P	73.00	60.00	13.00	14.00	60.00	4.50	
SU75-60-11.5EU-EI-P	75.00	60.00	11.50	12.50	60.00	5.00	
SU78-63-11.5EU-EI-P	78.00	63.00	11.50	12.50	63.00	5.00	
SU78-65-10EU-EI-P	78.00	65.00	10.00	11.00	65.00	4.50	
SU80-65-9EU-EI-P	80.00	65.00	9.00	10.00	65.00	5.00	
SU80-65-11.5EU-EI-P	80.00	65.00	11.50	12.50	65.00	5.00	
SU80-70-12EU-EI-P	80.00	70.00	12.00	13.00	70.00	4.00	
SU83-70-10EU-EI-P	83.00	70.00	10.00	11.00	70.00	4.50	
SU85-70-9EU-EI-P	85.00	70.00	9.00	10.00	70.00	5.00	
SU85-70-10EU-EI-P	85.00	70.00	10.00	11.00	70.00	5.00	
SU85-70-11.4EU-EI-P	85.00	70.00	11.40	12.50	70.00	5.00	
SU88-75-10EU-EI-P	88.00	75.00	10.00	11.00	75.00	4.50	
SU88-75-13EU-EI-P	88.00	75.00	13.00	14.00	75.00	5.00	
SU90-75-9EU-EI-P	90.00	75.00	9.00	10.00	75.00	5.00	
SU90-75-11.4EU-EI-P	90.00	75.00	11.40	12.50	75.00	5.00	
SU93-80-10EU-EI-P	93.00	80.00	10.00	11.00	80.00	4.50	
SU95-75-13.5EU-EI-P	95.00	75.00	13.50	14.50	75.00	5.00	
SU95-80-9EU-EI-P	95.00	80.00	9.00	10.00	80.00	5.00	
SU100-80-14EU-EI-P	100.00	80.00	14.00	15.00	80.00	5.00	
SU100-85-10EU-EI-P	100.00	85.00	10.00	11.00	85.00	5.00	
SU100-85-13EU-EI-P	100.00	85.00	13.00	14.00	85.00	5.00	
SU100-90-12EU-EI-P	100.00	90.00	12.00	13.00	90.00	5.00	
SU105-85-15EU-EI-P	105.00	85.00	15.00	16.00	85.00	6.00	
SU105-90-10EU-EI-P	105.00	90.00	10.00	11.00	90.00	5.00	
SU110-90-11.4EU-EI-P	110.00	90.00	11.40	12.50	90.00	5.00	
SU110-90-11.4EU-EI-P	110.00	90.00	11.40	12.50	90.00	5.00	
SU110-90-14.5EU-EI-P	110.00	90.00	14.50	15.50	90.00	6.00	
SU110-90-17EU-EI-P	110.00	90.00	17.00	18.00	90.00	6.00	
SU110-95-10EU-EI-P	110.00	95.00	10.00	11.00	95.00	5.00	
SU115-95-13.5EU-EI-P	115.00	95.00	13.50	14.50	95.00	5.00	

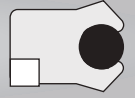
247 * Nominal Dimensions

Fluid Power

The Hydraulic Seal Specialists

SU-EU-EI-P

Metric **S**ingle Acting Rod **U**-Seal **E**nergised **U**-Seal **E**xtrusion **I**nternal in **P**olyurethane

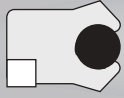


Part Number	*ØD1	*Ød1	H	*L1	*ØG	C	min
SU115-100-10EU-EI-P	115.00	100.00	10.00	11.00	100.00	5.00	
SU115-100-13EU-EI-P	115.00	100.00	13.00	14.00	100.00	5.00	
SU120-100-13.5EU-EI-P	120.00	100.00	13.50	14.50	100.00	5.00	
SU120-100-14.5EU-EI-P	120.00	100.00	14.50	16.00	100.00	5.00	
SU125-110-14.5EU-EI-P	125.00	110.00	14.50	16.00	110.00	5.00	
SU130-110-13EU-EI-P	130.00	110.00	13.00	14.00	110.00	5.00	
SU130-110-14.5EU-EI-P	130.00	110.00	14.50	16.00	110.00	5.00	
SU135-120-14.6EU-EI-P	135.00	120.00	14.60	16.00	120.00	5.00	
SU140-120-13EU-EI-P	140.00	120.00	13.00	14.00	120.00	5.00	
SU140-120-14.5EU-EI-P	140.00	120.00	14.50	16.00	120.00	5.00	
SU145-125-14.5EU-EI-P	145.00	125.00	14.50	16.00	125.00	5.00	
SU150-130-14.5EU-EI-P	150.00	130.00	14.50	16.00	130.00	5.00	
SU160-140-13EU-EI-P	160.00	140.00	13.00	14.00	140.00	5.00	
SU160-140-14.5EU-EI-P	160.00	140.00	14.50	16.00	140.00	5.00	
SU170-150-14.5EU-EI-P	170.00	150.00	14.50	16.00	150.00	5.00	
SU180-160-14.6EU-EI-P	180.00	160.00	14.60	16.00	160.00	5.00	
SU190-170-14.5EU-EI-P	190.00	170.00	14.50	16.00	170.00	5.00	
SU205-180-18.2EU-EI-P	205.00	180.00	18.20	20.00	180.00	5.00	
SU205-180-19EU-EI-P	205.00	180.00	19.00	20.00	180.00	5.00	
SU230-200-22.7EU-EI-P	230.00	200.00	22.70	25.00	200.00	5.00	
SU250-220-22.7EU-EI-P	250.00	220.00	22.70	25.00	220.00	5.00	
SU280-260-16.4EU-EI-P	280.00	260.00	16.40	18.00	260.00	5.00	

* Nominal Dimensions

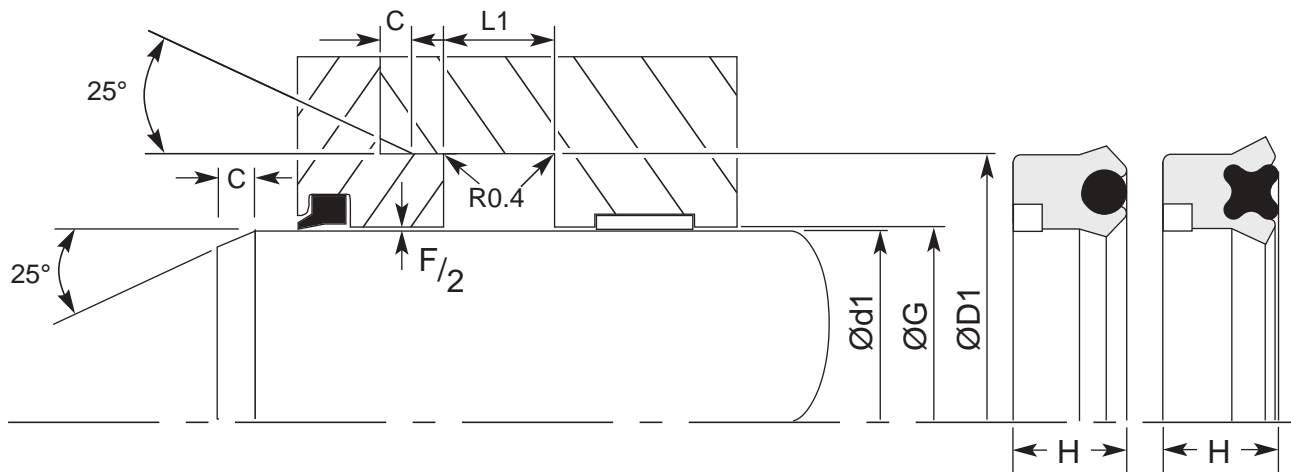
Fluid Power

The Hydraulic Seal Specialists



SU-EU-EI-P

Imperial **S**ingle Acting Rod **U**-Seal **E**nergised **U**-Seal **E**xtrusion Internal in **P**olyurethane



Maximum Diametrical Clearance F					
Pressure	Bar	200	300	400	500
Maximum Gap	Inch	0.029	0.024	0.019	0.16

Tolerances			
ØD1	Ød1	L1	ØG
+0.004 -0.000	f7	+0.010/-0.000	H9

Operating Conditions	
Max Speed	Temp Range
m/s	-30° to 100°C
0.50	300 Bar
0.15	500 Bar

SU-EU-EI-P is a symmetrical seal specifically designed for rod applications. Manufactured in a high performance Polyurethane which has a high abrasion resistance, a low compression set and a high resistance to extrusion. The Polyurethane properties and seal design give efficient fluid sealing, reduced friction values and low wear rate.

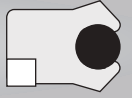
The seal is preloaded by either an o-ring or a quad ring which enables the seal to work effectively under low pressure. The seal comes with an anti-extrusion ring which helps prevent extrusion of the seal and allows greater clearances and higher pressures.

Fluid Power

The Hydraulic Seal Specialists

SU-EU-EI-P

Imperial **S**ingle Acting Rod **U**-Seal **E**nergised **U**-Seal **E**xtrusion Internal in **P**olyurethane



Part Number	*ØD1	*Ød1	H	*L1	*ØG	min C
SU150125-025EU-EI-P	1.500	1.250	0.250	0.275	1.250	0.032
SU187137-037EU-EI-P	1.875	1.375	0.375	0.413	1.375	0.032
SU187150-025EU-EI-P	1.875	1.500	0.250	0.275	1.500	0.032
SU212175-025EU-EI-P	2.125	1.750	0.250	0.275	1.750	0.032
SU212175-037EU-EI-P	2.125	1.750	0.375	0.413	1.750	0.032
SU225175-037EU-EI-P	2.250	1.750	0.375	0.413	1.750	0.032
SU237200-037EU-EI-P	2.375	2.000	0.375	0.413	2.000	0.032
SU250200-037EU-EI-P	2.500	2.000	0.375	0.413	2.000	0.032
SU275225-037EU-EI-P	2.750	2.250	0.375	0.413	2.250	0.032
SU300250-037EU-EI-P	3.000	2.500	0.375	0.413	2.500	0.032
SU350300-037EU-EI-P	3.500	3.000	0.375	0.413	3.000	0.032
SU375300-062EU-EI-P	3.750	3.000	0.625	0.688	3.000	0.032
SU375325-037EU-EI-P	3.750	3.250	0.375	0.413	3.250	0.032
SU400350-037EU-EI-P	4.000	3.500	0.375	0.413	3.500	0.032
SU412350-050EU-EI-P	4.125	3.500	0.500	0.550	3.500	0.032
SU500450-037EU-EI-P	5.000	4.500	0.375	0.413	4.500	0.032

* Nominal Dimensions

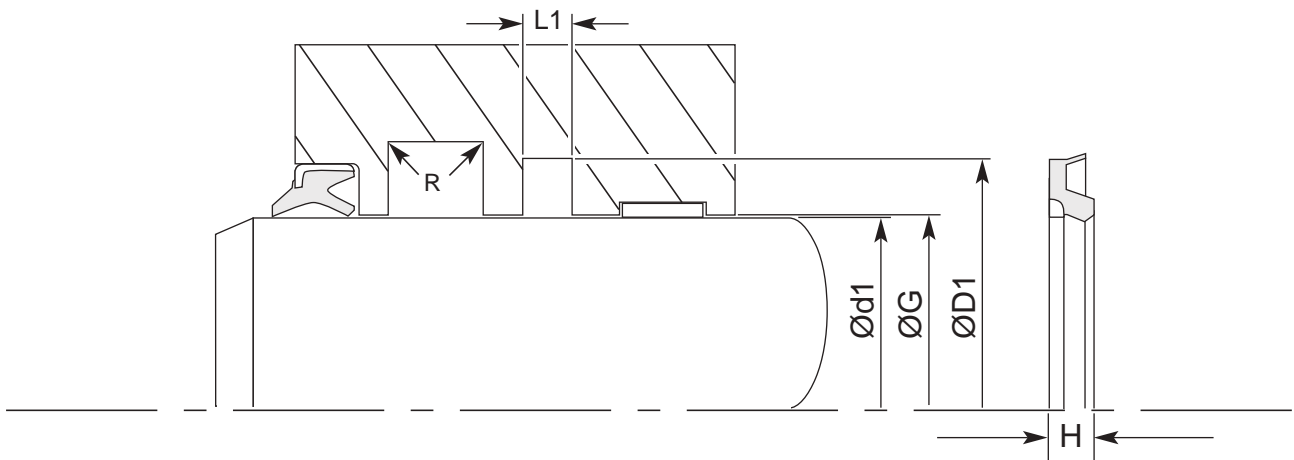
Fluid Power

The Hydraulic Seal Specialists



SU-EI-P (BUFFER)

Metric **S**ingle Acting **U**-seal with **E**xtrusion **I**nternal in **P**olyurethane



Tolerances

ØD1	Ød1	L1	ØG
+0.20/-0.00	f7	+0.20/-0.00	H9

Operating Conditions

Max Speed	Temp Range
m/s	-30° to 100°C
0.50	350 Bar
0.15	500 Bar

SU-EI-P is an asymmetrical seal specifically designed as a buffer seal for rod applications. Manufactured in a high performance Polyurethane, style SU-EI-P is inter-changeable with FPE part number RC-170 and fits the same housing.

The seal is fitted on the pressure side and is used to absorb the pressure spikes protecting the main pressure seal. It's unique design allows the release of back pressure between the buffer and the main seal.

Fluid **Power**

The Hydraulic Seal Specialists

SU-EI-P (BUFFER)Metric **S**ingle Acting **U**-seal with **E**xtrusion Internal in **P**olyurethane

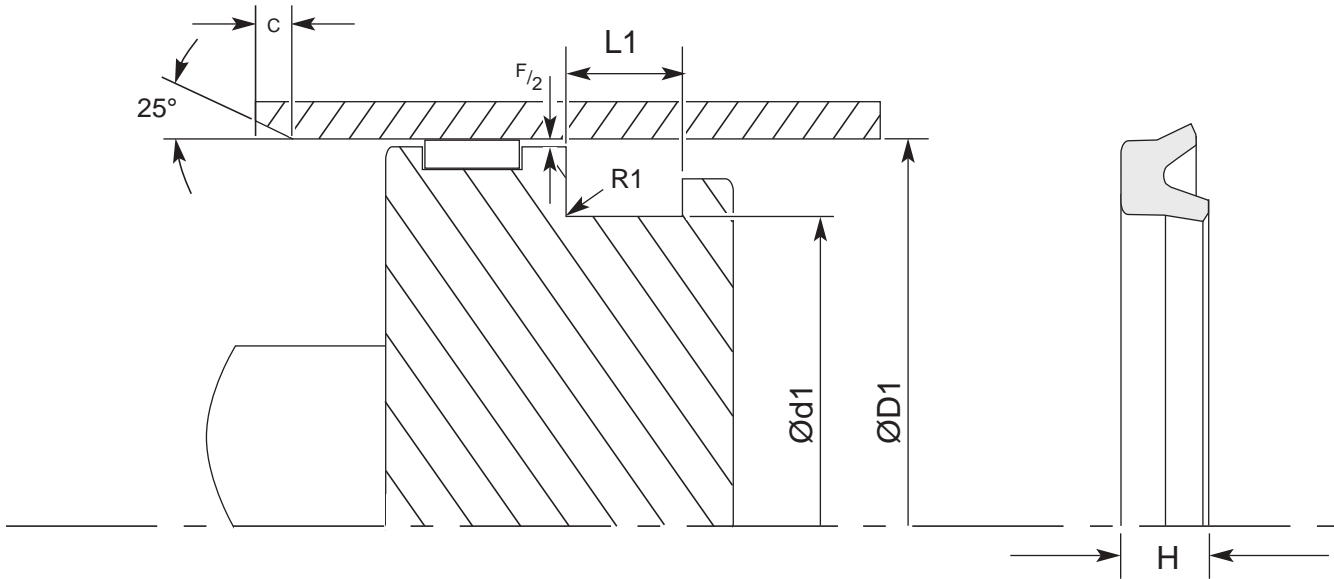
Part Number	*ØD1	*Ød1	H	*L1	*ØG	R1	max
SU55.5-40-6EI-P	55.50	40.00	6.00	6.30	40.00	0.30	
SU60.5-45-6EI-P	60.50	45.00	6.00	6.30	45.00	0.30	
SU65.5-50-6EI-P	65.50	50.00	6.00	6.30	50.00	0.30	
SU70.5-55-6EI-P	70.50	55.00	6.00	6.30	55.00	0.30	
SU75.5-60-6EI-P	75.50	60.00	6.00	6.30	60.00	0.30	
SU78.5-63-6EI-P	78.50	63.00	6.00	6.30	63.00	0.30	
SU80.5-65-6EI-P	80.50	65.00	6.00	6.30	65.00	0.30	
SU85.5-70-6EI-P	85.50	70.00	6.00	6.30	70.00	0.30	
SU90.5-75-6EI-P	90.50	75.00	6.00	6.30	75.00	0.30	
SU95.5-80-6EI-P	95.50	80.00	6.00	6.30	80.00	0.30	
SU100.5-85-6EI-P	100.50	85.00	6.00	6.30	85.00	0.30	
SU105.5-90-6EI-P	105.50	90.00	6.00	6.30	90.00	0.30	
SU110.5-95-6EI-P	110.50	95.00	6.00	6.30	95.00	0.30	
SU115.5-100-6EI-P	115.50	100.00	6.00	6.30	100.00	0.30	
SU120.5-105-6EI-P	120.50	105.00	6.00	6.30	105.00	0.30	
SU125.5-110-6EI-P	125.50	110.00	6.00	6.30	110.00	0.30	
SU130.5-115-6EI-P	130.50	115.00	6.00	6.30	115.00	0.30	
SU135.5-120-6EI-P	135.50	120.00	6.00	6.30	120.00	0.30	
SU145.5-130-6EI-P	145.50	130.00	6.00	6.30	130.00	0.30	
SU150.5-135-6EI-P	150.50	135.00	6.00	6.30	135.00	0.30	
SU155.5-140-6EI-P	155.50	140.00	6.00	6.30	140.00	0.30	
SU160.5-145-6EI-P	160.50	145.00	6.00	6.30	145.00	0.30	
SU165.5-150-6EI-P	165.50	150.00	6.00	6.30	150.00	0.30	
SU170.5-155-6EI-P	170.50	155.00	6.00	6.30	155.00	0.30	
SU175.5-160-6EI-P	175.50	160.00	6.00	6.30	160.00	0.30	
SU180.5-165-6EI-P	180.50	165.00	6.00	6.30	165.00	0.30	
SU185.5-170-6EI-P	185.50	170.00	6.00	6.30	170.00	0.30	
SU195.5-180-6EI-P	195.50	180.00	6.00	6.30	180.00	0.30	
SU205.5-190-6EI-P	205.50	190.00	6.00	6.30	190.00	0.30	

* Nominal Dimensions



SU-DE-P

Metric **S**ingle Acting Piston **U**-Seal (**D**istributor **E**xternal) in **P**olyurethane



Maximum Diametrical Clearance F					
Pressure	Bar	100	200	300	400
Maximum Gap	mm	0.75	0.60	0.48	0.40

Tolerances		
ØD1	Ød1	L1
H10	+0.10 -0.00	+0.25/-0.00

Operating Conditions	
Max Speed	Temp Range
m/s	-30° to 100°C
0.50	250 Bar
0.15	400 Bar

SU-DE-P is an asymmetrical seal designed for piston applications. The outer lip is shorter and more robust to improve sealing and compression set characteristics over conventional U-seals. SU-DE-P is manufactured in high performance polyurethane which has outstanding abrasion and extrusion resistance.

Fluid Power

The Hydraulic Seal Specialists

SU-DE-P

Metric **S**ingle Acting Piston **U**-Seal (**D**istributor **E**xternal) in **P**olyurethane

Part Number	*ØD1	*Ød1	H	*L1	min	max
					C	R1
SU12-5-5.5DE-P	12.00	5.00	5.50	6.00	5.00	0.30
SU14-6-8DE-P	14.00	6.00	8.00	9.00	5.00	0.30
SU14-8-4.5DE-P	14.00	8.00	4.50	5.00	5.00	0.30
SU14-8-6.3DE-P	14.00	8.00	6.30	6.80	5.00	0.30
SU15-9-8DE-P	15.00	9.00	8.00	9.00	5.00	0.30
SU15-10-4.2DE-P	15.00	10.00	4.20	4.70	5.00	0.30
SU16-6-8DE-P	16.00	6.00	8.00	9.00	5.00	0.30
SU16-6-10DE-P	16.00	6.00	10.00	11.00	5.00	0.30
SU16-8-5.7DE-P	16.00	8.00	5.70	6.30	5.00	0.30
SU16-9-5.5DE-P	16.00	9.00	5.50	6.00	5.00	0.30
SU16-10-4DE-P	16.00	10.00	4.00	4.50	5.00	0.30
SU16-10-5.5DE-P	16.00	10.00	5.50	6.00	5.00	0.30
SU16-10-5.7DE-P	16.00	10.00	5.70	6.30	5.00	0.30
SU16-10-6DE-P	16.00	10.00	6.00	6.50	5.00	0.30
SU16-10-8DE-P	16.00	10.00	8.00	9.00	5.00	0.30
SU20-10-7.5DE-P	20.00	10.00	7.50	8.50	5.00	0.30
SU20-10-8DE-P	20.00	10.00	8.00	9.00	5.00	0.30
SU20-12-5.7DE-P	20.00	12.00	5.70	6.30	5.00	0.30
SU20-12-6.5DE-P	20.00	12.00	6.50	7.50	5.00	0.30
SU20-14-4.2DE-P	20.00	14.00	4.20	4.70	5.00	0.30
SU20-14-5.5DE-P	20.00	14.00	5.50	6.00	5.00	0.30
SU22-12-8DE-P	22.00	12.00	8.00	9.00	5.00	0.30
SU24-15-8DE-P	24.00	15.00	8.00	9.00	5.00	0.30
SU24-16-5.7DE-P	24.00	16.00	5.70	6.30	5.00	0.30
SU25-10-10DE-P	25.00	10.00	10.00	11.00	5.00	0.30
SU25-13-7DE-P	25.00	13.00	7.00	8.00	5.00	0.30
SU25-15-7.3DE-P	25.00	15.00	7.30	8.00	5.00	0.30
SU25-15-8.2DE-P	25.00	15.00	8.20	9.20	5.00	0.30
SU25-17-5.7DE-P	25.00	17.00	5.70	6.30	5.00	0.30
SU25-17-10DE-P	25.00	17.00	10.00	11.00	5.00	0.30
SU25-18-5DE-P	25.00	18.00	5.00	5.60	5.00	0.30
SU25-19-3DE-P	25.00	19.00	3.00	3.50	5.00	0.30
SU25-19-6DE-P	25.00	19.00	6.00	7.00	5.00	0.30
SU26-18-7DE-P	26.00	18.00	7.00	8.00	5.00	0.30
SU28-16-9DE-P	28.00	16.00	9.00	10.00	5.00	0.30
SU28-20-7DE-P	28.00	20.00	7.00	8.00	5.00	0.30
SU30-15-10DE-P	30.00	15.00	10.00	11.00	5.00	0.30
SU30-20-7DE-P	30.00	20.00	7.00	8.00	5.00	0.30
SU30-20-8DE-P	30.00	20.00	8.00	9.00	5.00	0.30
SU30-22-6DE-P	30.00	22.00	6.00	7.00	5.00	0.30

* Nominal Dimensions

Fluid **Power**

The Hydraulic Seal Specialists

**SU-DE-P**Metric **S**ingle Acting Piston **U**-Seal (**D**istributor **E**xternal) in **P**olyurethane

Part Number	*ØD1	*Ød1	H	*L1	min	max
					C	R1
SU30-22-10DE-P	30.00	22.00	10.00	11.00	5.00	0.30
SU31.75-19-7DE-P	31.75	19.00	7.00	8.00	5.00	0.30
SU32-17-10DE-P	32.00	17.00	10.00	11.00	5.00	0.30
SU32-20-10DE-P	32.00	20.00	10.00	11.00	5.00	0.30
SU32-22-5DE-P	32.00	22.00	5.00	5.50	5.00	0.30
SU32-22-7.3DE-P	32.00	22.00	7.30	8.00	5.00	0.30
SU32-22-8DE-P	32.00	22.00	8.00	9.00	5.00	0.30
SU32-22-10DE-P	32.00	22.00	10.00	11.00	5.00	0.30
SU32-24-5.5DE-P	32.00	24.00	5.50	6.00	5.00	0.30
SU32-24-5.7DE-P	32.00	24.00	5.70	6.70	5.00	0.30
SU32-25-5DE-P	32.00	25.00	5.00	5.60	5.00	0.30
SU32-26-5DE-P	32.00	26.00	5.00	6.00	5.00	0.30
SU32-26-6DE-P	32.00	26.00	6.00	7.00	5.00	0.30
SU34-22-8.4DE-P	34.00	22.00	8.40	9.40	5.00	0.30
SU34-22-9DE-P	34.00	22.00	9.00	10.00	5.00	0.30
SU35-18-12DE-P	35.00	18.00	12.00	13.00	5.00	0.30
SU35-20-10DE-P	35.00	20.00	10.00	11.00	5.00	0.30
SU35-22.5-6DE-P	35.00	22.50	6.00	7.00	5.00	0.30
SU35-25-6.5DE-P	35.00	25.00	6.50	7.50	5.00	0.30
SU35-25-7.3DE-P	35.00	25.00	7.30	8.00	5.00	0.30
SU35-25-8DE-P	35.00	25.00	8.00	9.00	5.00	0.30
SU35-27-10DE-P	35.00	27.00	10.00	11.00	5.00	0.30
SU36-24-7DE-P	36.00	24.00	7.00	8.00	5.00	0.30
SU36-28-7DE-P	36.00	28.00	7.00	8.00	5.00	0.30
SU36.5-24-6.2DE-P	36.50	24.00	6.20	7.00	5.00	0.30
SU37-21-12DE-P	37.00	21.00	12.00	13.00	5.00	0.30
SU38-31-4.7DE-P	38.00	31.00	4.70	5.20	5.00	0.30
SU38-22-10DE-P	38.00	22.00	10.00	11.00	5.00	0.30
SU38-25-10DE-P	38.00	25.00	10.00	11.00	5.00	0.30
SU39-29-7.3DE-P	39.00	29.00	7.30	8.00	5.00	0.30
SU40-20-12DE-P	40.00	20.00	12.00	13.00	5.00	0.30
SU40-25-10DE-P	40.00	25.00	10.00	11.00	5.00	0.30
SU40-28-9DE-P	40.00	28.00	9.00	10.00	5.00	0.30
SU40-28-10DE-P	40.00	28.00	10.00	11.00	5.00	0.30
SU40-30-6DE-P	40.00	30.00	6.00	7.00	5.00	0.30
SU40-30-6.5DE-P	40.00	30.00	6.50	7.50	5.00	0.30
SU40-30-7.3DE-P	40.00	30.00	7.30	8.00	5.00	0.30
SU40-30-10DE-P	40.00	30.00	10.00	11.00	5.00	0.30
SU40-32-5.7DE-P	40.00	32.00	5.70	6.30	5.00	0.30
SU40-32-8DE-P	40.00	32.00	8.00	9.00	5.00	0.30

255 * Nominal Dimensions

Fluid Power

The Hydraulic Seal Specialists

SU-DE-P

Metric **S**ingle Acting Piston **U**-Seal (**D**istributor **E**xternal) in **P**olyurethane



Part Number	*ØD1	*Ød1	H	*L1	min	max
					C	R1
SU40-33-8DE-P	40.00	33.00	8.00	9.00	5.00	0.30
SU42-22-10DE-P	42.00	22.00	10.00	11.00	5.00	0.30
SU42-30-10DE-P	42.00	30.00	10.00	11.00	5.00	0.30
SU42-32-10DE-P	42.00	32.00	10.00	11.00	5.00	0.30
SU42-34.5-4.2DE-P	42.00	34.50	4.20	4.70	5.00	0.30
SU43-25-9DE-P	43.00	25.00	9.00	10.00	5.00	0.30
SU43-33-7.3DE-P	43.00	33.00	7.30	8.00	5.00	0.30
SU43-35-9DE-P	43.00	35.00	9.00	10.00	5.00	0.30
SU43-38-3.8DE-P	43.00	38.00	3.80	4.3	5.00	0.30
SU44-20-11DE-P	44.00	20.00	11.00	12.00	5.00	0.30
SU45-25-12DE-P	45.00	25.00	12.00	13.00	5.00	0.30
SU45-28.5-12DE-P	45.00	28.50	12.00	13.00	5.00	0.30
SU45-30-10DE-P	45.00	30.00	10.00	11.00	5.00	0.30
SU45-35-6DE-P	45.00	35.00	6.00	7.00	5.00	0.30
SU45-35-7DE-P	45.00	35.00	7.00	8.00	5.00	0.30
SU45-37-7DE-P	45.00	37.00	7.00	8.00	5.00	0.30
SU45-37-9DE-P	45.00	37.00	9.00	10.00	5.00	0.30
SU45-38-6DE-P	45.00	38.00	6.00	7.00	5.00	0.30
SU48-28-12DE-P	48.00	28.00	12.00	13.00	5.00	0.30
SU48-35-10DE-P	48.00	35.00	10.00	11.00	5.00	0.30
SU50-30-12DE-P	50.00	30.00	12.00	13.00	5.00	0.30
SU50-32-10DE-P	50.00	32.00	10.00	11.00	5.00	0.30
SU50-35-8.5DE-P	50.00	35.00	8.50	9.50	5.00	0.30
SU50-35-10DE-P	50.00	35.00	10.00	11.00	5.00	0.30
SU50-35-11.4DE-P	50.00	35.00	11.40	12.50	5.00	0.30
SU50-38-6DE-P	50.00	38.00	6.00	7.00	5.00	0.30
SU50-40-5DE-P	50.00	40.00	5.00	6.00	5.00	0.30
SU50-40-6DE-P	50.00	40.00	6.00	7.00	5.00	0.30
SU50-40-7.3DE-P	50.00	40.00	7.30	8.00	5.00	0.30
SU50-40-10DE-P	50.00	40.00	10.00	11.00	5.00	0.30
SU50-42-5.5DE-P	50.00	42.00	5.50	6.00	5.00	0.30
SU50-42-5.7DE-P	50.00	42.00	5.70	6.30	5.00	0.30
SU50-42-8DE-P	50.00	42.00	8.00	9.00	5.00	0.30
SU50-42-10DE-P	50.00	42.00	10.00	11.00	5.00	0.30
SU50.8-40.8-7DE-P	50.80	40.80	7.00	8.00	5.00	0.30
SU52-42-5DE-P	52.00	42.00	5.00	6.00	5.00	0.30
SU52-42-7.3DE-P	52.00	42.00	7.30	8.00	5.00	0.30
SU52-42-10DE-P	52.00	42.00	10.00	11.00	5.00	0.30
SU54-44-7.3DE-P	54.00	44.00	7.30	8.00	5.00	0.30
SU55-35-12DE-P	55.00	35.00	12.00	13.00	5.00	0.30

* Nominal Dimensions

Fluid Power

The Hydraulic Seal Specialists



SU-DE-P

Metric **S**ingle Acting Piston **U**-Seal (**D**istributor **E**xternal) in **P**olyurethane

Part Number	*ØD1	*Ød1	H	*L1	min	max
					C	R1
SU55-40-10DE-P	55.00	40.00	10.00	11.00	5.00	0.30
SU55-45-6DE-P	55.00	45.00	6.00	7.00	5.00	0.30
SU55-45-7.3DE-P	55.00	45.00	7.30	8.00	5.00	0.30
SU55-45-7.5DE-P	55.00	45.00	7.50	8.50	5.00	0.30
SU55-45-10DE-P	55.00	45.00	10.00	11.00	5.00	0.30
SU55-47-5.7DE-P	55.00	47.00	5.70	6.30	5.00	0.30
SU56-46-7DE-P	56.00	46.00	7.00	8.00	5.00	0.30
SU57-41-11.4DE-P	57.00	41.00	11.40	12.50	5.00	0.30
SU60-40-12DE-P	60.00	40.00	12.00	13.00	5.00	0.30
SU60-40-13.5DE-P	60.00	40.00	13.50	14.50	5.00	0.30
SU60-44-12DE-P	60.00	44.00	12.00	13.00	5.00	0.30
SU60-45-10DE-P	60.00	45.00	10.00	11.00	5.00	0.30
SU60-50-5DE-P	60.00	50.00	5.00	5.50	5.00	0.30
SU60-50-6DE-P	60.00	50.00	6.00	7.00	5.00	0.30
SU60-50-7DE-P	60.00	50.00	7.00	8.00	5.00	0.30
SU60-50-10DE-P	60.00	50.00	10.00	11.00	5.00	0.30
SU60-52-8DE-P	60.00	52.00	8.00	9.00	5.00	0.30
SU63-43-12DE-P	63.00	43.00	12.00	13.00	5.00	0.30
SU63-45-10DE-P	63.00	45.00	10.00	11.00	5.00	0.30
SU63-45-12DE-P	63.00	45.00	12.00	11.00	5.00	0.30
SU63-48-8.6DE-P	63.00	48.00	8.60	9.50	5.00	0.30
SU63-48-9DE-P	63.00	48.00	9.00	10.00	5.00	0.30
SU63-48-10DE-P	63.00	48.00	10.00	11.00	5.00	0.30
SU63-48-11.4DE-P	63.00	48.00	11.40	12.50	5.00	0.30
SU63-48-12DE-P	63.00	48.00	12.00	13.00	5.00	0.30
SU63-53-4.3DE-P	63.00	53.00	4.30	4.80	5.00	0.30
SU63-53-6DE-P	63.00	53.00	6.00	7.00	5.00	0.30
SU63-53-7DE-P	63.00	53.00	7.00	8.00	5.00	0.30
SU63-53-12DE-P	63.00	53.00	12.00	13.00	5.00	0.30
SU63-55-5.7DE-P	63.00	55.00	5.70	6.30	5.00	0.30
SU65-45-12DE-P	65.00	45.00	12.00	13.00	5.00	0.30
SU65-45-13.5DE-P	65.00	45.00	13.50	14.50	5.00	0.30
SU65-50-10DE-P	65.00	50.00	10.00	11.00	5.00	0.30
SU65-50-11.5DE-P	65.00	50.00	11.50	12.50	5.00	0.30
SU65-55-7DE-P	65.00	55.00	7.00	8.00	5.00	0.30
SU65-55-7.3DE-P	65.00	55.00	7.30	8.00	5.00	0.30
SU65-55-10DE-P	65.00	55.00	10.00	11.00	5.00	0.30
SU65-55-13.5DE-P	65.00	55.00	13.50	14.50	5.00	0.30
SU67-57-7.3DE-P	67.00	57.00	7.30	8.00	5.00	0.30
SU68-48-10DE-P	68.00	48.00	10.00	11.00	5.00	0.30

Fluid Power

The Hydraulic Seal Specialists

SU-DE-P

Metric **S**ingle Acting Piston **U**-Seal (**D**istributor **E**xternal) in **P**olyurethane

Part Number	*ØD1	*Ød1	H	*L1	min	max
					C	R1
SU68-58-9.5DE-P	68.00	58.00	9.50	10.50	5.00	0.30
SU70-50-12DE-P	70.00	50.00	12.00	13.00	5.00	0.30
SU70-50-13.5DE-P	70.00	50.00	13.50	14.50	5.00	0.30
SU70-50-14DE-P	70.00	50.00	14.00	15.00	5.00	0.30
SU70-50-15DE-P	70.00	50.00	15.00	16.00	5.00	0.30
SU70-55-9DE-P	70.00	55.00	9.00	10.00	5.00	0.30
SU70-55-9.5DE-P	70.00	55.00	9.50	10.50	5.00	0.30
SU70-55-10DE-P	70.00	55.00	10.00	11.00	5.00	0.30
SU70-55-12DE-P	70.00	55.00	12.00	13.00	5.00	0.30
SU70-60-6DE-P	70.00	60.00	6.00	7.00	5.00	0.30
SU70-60-7DE-P	70.00	60.00	7.00	8.00	5.00	0.30
SU70-60-10DE-P	70.00	60.00	10.00	11.00	5.00	0.30
SU70-60-12DE-P	70.00	60.00	12.00	13.00	5.00	0.30
SU70-60-13.5DE-P	70.00	60.00	13.50	14.50	5.00	0.30
SU70-62-7.5DE-P	70.00	62.00	7.50	8.50	5.00	0.30
SU70-62-8DE-P	70.00	62.00	8.00	9.00	5.00	0.30
SU71-61-6DE-P	71.00	61.00	6.00	7.00	5.00	0.30
SU72-58-12DE-P	72.00	58.00	12.00	13.00	5.00	0.30
SU73-57-10DE-P	73.00	57.00	10.00	11.00	5.00	0.30
SU75-50-14DE-P	75.00	50.00	14.00	15.00	5.00	0.30
SU75-55-12DE-P	75.00	55.00	12.00	13.00	5.00	0.30
SU75-55-13.5DE-P	75.00	55.00	13.50	14.50	5.00	0.30
SU75-60-12DE-P	75.00	60.00	12.00	13.00	5.00	0.30
SU75-63-8.7DE-P	75.00	63.00	8.70	9.50	5.00	0.30
SU75-65-5DE-P	75.00	65.00	5.00	5.50	5.00	0.30
SU75-65-6DE-P	75.00	65.00	6.00	7.00	5.00	0.30
SU75-65-6.7DE-P	75.00	65.00	6.70	7.50	5.00	0.30
SU75-65-7DE-P	75.00	65.00	7.00	8.00	5.00	0.30
SU75-65-7.5DE-P	75.00	65.00	7.50	8.50	5.00	0.30
SU75-65-10DE-P	75.00	65.00	10.00	11.00	5.00	0.30
SU75-65-12DE-P	75.00	65.00	12.00	13.00	5.00	0.30
SU75-65-13.5DE-P	75.00	65.00	13.50	14.50	5.00	0.30
SU75-67-8.8DE-P	75.00	67.00	8.80	9.70	5.00	0.30
SU78-62-10DE-P	78.00	62.00	10.00	11.00	5.00	0.30
SU80-47-16DE-P	80.00	47.00	16.00	17.00	8.00	0.30
SU80-60-12DE-P	80.00	60.00	12.00	13.00	5.00	0.30
SU80-60-13.5DE-P	80.00	60.00	13.50	14.50	5.00	0.30
SU80-60-14.5DE-P	80.00	60.00	14.50	16.00	5.00	0.30
SU80-65-8.6DE-P	80.00	65.00	8.60	9.50	5.00	0.30
SU80-65-9DE-P	80.00	65.00	9.00	10.00	5.00	0.30

* Nominal Dimensions

Fluid **Power**

The Hydraulic Seal Specialists

**SU-DE-P**Metric **S**ingle Acting Piston **U**-Seal (**D**istributor **E**xternal) in **P**olyurethane

Part Number	*ØD1	*Ød1	H	*L1	min	max
					C	R1
SU80-65-11.4DE-P	80.00	65.00	11.40	12.50	5.00	0.30
SU80-65-12DE-P	80.00	65.00	12.00	13.00	5.00	0.30
SU80-68-8.5DE-P	80.00	68.00	8.50	9.50	5.00	0.30
SU80-70-6DE-P	80.00	70.00	6.00	7.00	5.00	0.30
SU80-70-6.8DE-P	80.00	70.00	6.80	7.50	5.00	0.30
SU80-70-7DE-P	80.00	70.00	7.00	8.00	5.00	0.30
SU80-70-12DE-P	80.00	70.00	12.00	13.00	5.00	0.30
SU80-72-12DE-P	80.00	72.00	12.00	13.00	5.00	0.30
SU82-65-12DE-P	82.00	65.00	12.00	13.00	5.00	0.30
SU85-65-13.5DE-P	85.00	65.00	13.50	14.50	5.00	0.30
SU85-70-12DE-P	85.00	70.00	12.00	13.00	5.00	0.30
SU85-75-8.1DE-P	85.00	75.00	8.10	9.00	5.00	0.30
SU85-75-10DE-P	85.00	75.00	10.00	11.00	5.00	0.30
SU85-75-12DE-P	85.00	75.00	12.00	13.00	5.00	0.30
SU85.7-70.7-10.3DE-P	85.70	70.70	10.30	11.40	5.00	0.30
SU90-65-12DE-P	90.00	65.00	12.00	13.00	5.00	0.30
SU90-70-12DE-P	90.00	70.00	12.00	13.00	5.00	0.30
SU90-70-13.5DE-P	90.00	70.00	13.50	14.50	5.00	0.30
SU90-75-9DE-P	90.00	75.00	9.00	10.00	5.00	0.30
SU90-75-10DE-P	90.00	75.00	10.00	11.00	5.00	0.30
SU90-75-11.4DE-P	90.00	75.00	11.40	12.50	5.00	0.30
SU90-75-12DE-P	90.00	75.00	12.00	13.00	5.00	0.30
SU90-80-5DE-P	90.00	80.00	5.00	6.00	5.00	0.30
SU90-80-6DE-P	90.00	80.00	6.00	7.00	5.00	0.30
SU90-80-10DE-P	90.00	80.00	10.00	11.00	5.00	0.30
SU90-80-13DE-P	90.00	80.00	13.00	14.00	5.00	0.30
SU90-80-13.5DE-P	90.00	80.00	13.50	14.50	5.00	0.30
SU92-84-8.2DE-P	92.00	84.00	8.20	9.00	5.00	0.30
SU95-75-12DE-P	95.00	75.00	12.00	13.00	5.00	0.30
SU95-75-13.5DE-P	95.00	75.00	13.50	14.50	5.00	0.30
SU95-80-12DE-P	95.00	80.00	12.00	13.00	5.00	0.30
SU95-85-6.7DE-P	95.00	85.00	6.70	7.50	5.00	0.30
SU95-85-7DE-P	95.00	85.00	7.00	8.00	5.00	0.30
SU95-85-8.5DE-P	95.00	85.00	8.50	9.50	5.00	0.30
SU95-85-13.5DE-P	95.00	85.00	13.50	14.50	5.00	0.30
SU95-87-4DE-P	95.00	87.00	4.00	4.50	5.00	0.30
SU98-84-12DE-P	98.00	84.00	12.00	13.00	5.00	0.30
SU100-75-18DE-P	100.00	75.00	18.00	19.00	7.00	0.30
SU100-80-10DE-P	100.00	80.00	10.00	11.00	7.00	0.30
SU100-80-12DE-P	100.00	80.00	12.00	13.00	7.00	0.30

259 * Nominal Dimensions

Fluid Power

The Hydraulic Seal Specialists

SU-DE-P

Metric **S**ingle Acting Piston **U**-Seal (**D**istributor **E**xternal) in **P**olyurethane



Part Number	*ØD1	*Ød1	H	*L1	min	max
					C	R1
SU100-80-13.5DE-P	100.00	80.00	13.50	14.50	7.00	0.30
SU100-80-14.5DE-P	100.00	80.00	14.50	16.00	7.00	0.30
SU100-85-9DE-P	100.00	85.00	9.00	10.00	7.00	0.30
SU100-85-10DE-P	100.00	85.00	10.00	11.00	7.00	0.30
SU100-85-11.4DE-P	100.00	85.00	11.40	12.50	7.00	0.30
SU100-85-12DE-P	100.00	85.00	12.00	13.00	7.00	0.30
SU100-86-12DE-P	100.00	86.00	12.00	13.00	7.00	0.30
SU100-88-8.5DE-P	100.00	88.00	8.50	9.50	7.00	0.30
SU100-90-6.8DE-P	100.00	90.00	6.80	7.50	7.00	0.30
SU100-90-7DE-P	100.00	90.00	7.00	8.00	7.00	0.30
SU100-90-8DE-P	100.00	90.00	8.00	9.00	7.00	0.30
SU100-90-8.5DE-P	100.00	90.00	8.50	9.50	7.00	0.30
SU100-90-10.5DE-P	100.00	90.00	10.50	11.50	7.00	0.30
SU100-90-14DE-P	100.00	90.00	14.00	15.00	7.00	0.30
SU101.6-80-12DE-P	101.60	80.00	12.00	13.00	7.00	0.30
SU105-85-11.8DE-P	105.00	85.00	11.80	13.00	7.00	0.30
SU105-85-15DE-P	105.00	85.00	15.00	16.00	7.00	0.30
SU105-90-12DE-P	105.00	90.00	12.00	13.00	7.00	0.30
SU110-85-15DE-P	110.00	85.00	15.00	13.00	7.00	0.30
SU110-90-12DE-P	110.00	90.00	12.00	13.00	7.00	0.30
SU110-90-15DE-P	110.00	90.00	15.00	16.50	7.00	0.30
SU110-95-12DE-P	110.00	95.00	12.00	13.00	7.00	0.30
SU110-100-7DE-P	110.00	100.00	7.00	8.00	7.00	0.30
SU110-100-8DE-P	110.00	100.00	8.00	9.00	7.00	0.30
SU110-100-13.5DE-P	110.00	100.00	13.50	14.50	7.00	0.30
SU112-98-9DE-P	112.00	98.00	9.00	10.00	7.00	0.30
SU115-90-15DE-P	115.00	90.00	15.00	16.00	7.00	0.30
SU115-95-15DE-P	115.00	95.00	15.00	16.00	7.00	0.30
SU115-98-14.5DE-P	115.00	98.00	14.50	16.00	7.00	0.30
SU115-100-6DE-P	115.00	100.00	6.00	7.00	7.00	0.30
SU115-100-10.5DE-P	115.00	100.00	10.50	11.50	7.00	0.30
SU115-105-13.5DE-P	115.00	105.00	13.50	14.50	7.00	0.30
SU120-95-12DE-P	120.00	95.00	12.00	13.00	7.00	0.30
SU120-95-15DE-P	120.00	95.00	15.00	13.00	7.00	0.30
SU120-100-12DE-P	120.00	100.00	12.00	13.00	7.00	0.30
SU120-100-13.5DE-P	120.00	100.00	13.50	14.50	7.00	0.30
SU120-103-16DE-P	120.00	103.00	16.00	17.00	7.00	0.30
SU120-110-13.5DE-P	120.00	110.00	13.50	14.50	7.00	0.30
SU121-111.1-9.5DE-P	121.00	111.10	9.50	10.50	7.00	0.30
SU125-95-18DE-P	125.00	95.00	18.00	19.00	7.00	0.30

* Nominal Dimensions

Fluid Power

The Hydraulic Seal Specialists



SU-DE-P

Metric **S**ingle Acting Piston **U**-Seal (**D**istributor **E**xternal) in **P**olyurethane

Part Number	*ØD1	*Ød1	H	*L1	min	max
					C	R1
SU125-100-18.2DE-P	125.00	100.00	18.20	20.00	7.00	0.30
SU125-105-12DE-P	125.00	105.00	12.00	13.00	7.00	0.30
SU125-105-14.5DE-P	125.00	105.00	14.50	16.00	7.00	0.30
SU125-105-15DE-P	125.00	105.00	15.00	16.00	7.00	0.30
SU125-110-9.6DE-P	125.00	110.00	9.60	10.60	7.00	0.30
SU125-110-10DE-P	125.00	110.00	10.00	11.00	7.00	0.30
SU125-112-9DE-P	125.00	112.00	9.00	10.00	7.00	0.30
SU125-115-7DE-P	125.00	115.00	7.00	8.00	7.00	0.30
SU125-115-14DE-P	125.00	115.00	14.00	15.00	7.00	0.30
SU125-115-15DE-P	125.00	115.00	15.00	16.00	7.00	0.30
SU127-119-8.2DE-P	127.00	119.00	8.20	9.00	7.00	0.30
SU130-110-12DE-P	130.00	110.00	12.00	13.00	7.00	0.30
SU130-110-15DE-P	130.00	110.00	15.00	16.00	7.00	0.30
SU130-120-13.5DE-P	130.00	120.00	13.50	14.50	7.00	0.30
SU140-114-12DE-P	140.00	114.00	12.00	13.00	7.00	0.30
SU140-115-15DE-P	140.00	115.00	15.00	16.00	7.00	0.30
SU140-120-12DE-P	140.00	120.00	12.00	13.00	7.00	0.30
SU140-120-14DE-P	140.00	120.00	14.00	15.00	7.00	0.30
SU140-120-15DE-P	140.00	120.00	15.00	16.00	7.00	0.30
SU140-120-16DE-P	140.00	120.00	16.00	17.00	7.00	0.30
SU140-125-9DE-P	140.00	125.00	9.00	10.00	7.00	0.30
SU140-125-15DE-P	140.00	125.00	15.00	16.00	7.00	0.30
SU145-115-18DE-P	145.00	115.00	18.00	20.00	7.00	0.30
SU145-130-10DE-P	145.00	130.00	10.00	11.00	7.00	0.30
SU150-120-18DE-P	150.00	120.00	18.00	19.00	7.00	0.30
SU150-125-13.5DE-P	150.00	125.00	13.50	14.50	7.00	0.30
SU150-130-14.5DE-P	150.00	130.00	14.50	16.00	7.00	0.30
SU150-130-15DE-P	150.00	130.00	15.00	16.00	7.00	0.30
SU150-135-8DE-P	150.00	135.00	8.00	9.00	7.00	0.30
SU150-140-7DE-P	150.00	140.00	7.00	8.00	7.00	0.30
SU150-140-13.6DE-P	150.00	140.00	13.60	15.00	7.00	0.30
SU150-140-14DE-P	150.00	140.00	14.00	15.00	7.00	0.30
SU160-130-18DE-P	160.00	130.00	18.00	19.00	7.00	0.30
SU160-135-18.2DE-P	160.00	135.00	18.20	20.00	7.00	0.30
SU160-140-13.5DE-P	160.00	140.00	13.50	14.50	7.00	0.30
SU160-140-14DE-P	160.00	140.00	14.00	15.00	7.00	0.30
SU160-140-14.5DE-P	160.00	140.00	14.50	16.00	7.00	0.30
SU160-140-18.2DE-P	160.00	140.00	18.20	20.00	7.00	0.30
SU160-145-9DE-P	160.00	145.00	9.00	10.00	7.00	0.30
SU160-145-14DE-P	160.00	145.00	14.00	15.00	7.00	0.30

261 * Nominal Dimensions

Fluid Power

The Hydraulic Seal Specialists

SU-DE-P

Metric **S**ingle Acting Piston **U**-Seal (**D**istributor **E**xternal) in **P**olyurethane



Part Number	*ØD1	*Ød1	H	*L1	min	max
					C	R1
SU160-148-7.1DE-P	160.00	148.00	7.10	7.50	7.00	0.30
SU160-148-15.5DE-P	160.00	148.00	15.50	16.50	7.00	0.30
SU170-145-19DE-P	170.00	145.00	19.00	20.00	7.00	0.30
SU170-148-15DE-P	170.00	148.00	15.00	16.00	7.00	0.30
SU170-150-15DE-P	170.00	150.00	15.00	16.00	7.00	0.30
SU174.8-165.2-7.3DE-P	174.85	165.25	7.30	7.50	7.00	0.30
SU175-167-8.2DE-P	175.00	167.00	8.20	9.00	7.00	0.30
SU180-150-18DE-P	180.00	150.00	18.00	19.00	7.00	0.30
SU180-160-9DE-P	180.00	160.00	9.00	10.00	7.00	0.30
SU180-160-10DE-P	180.00	160.00	10.00	11.00	7.00	0.30
SU180-160-13.5DE-P	180.00	160.00	13.50	14.50	7.00	0.30
SU180-160-14DE-P	180.00	160.00	14.00	14.50	7.00	0.30
SU180-160-15DE-P	180.00	160.00	15.00	16.00	7.00	0.30
SU180-166-15.5DE-P	180.00	166.00	15.50	16.50	7.00	0.30
SU185-174-15DE-P	185.00	174.00	15.00	16.00	7.00	0.30
SU190-170-15DE-P	190.00	170.00	15.00	16.00	7.00	0.30
SU200-170-18DE-P	200.00	170.00	18.00	19.00	7.00	0.30
SU200-170-22.7DE-P	200.00	170.00	22.70	25.00	7.00	0.30
SU200-175-16DE-P	200.00	175.00	16.00	17.00	7.00	0.30
SU200-175-18.2DE-P	200.00	175.00	18.20	20.00	7.00	0.30
SU200-180-14DE-P	200.00	180.00	14.00	15.00	10.00	0.30
SU200-180-14.5DE-P	200.00	180.00	14.50	16.00	10.00	0.30
SU200-180-15DE-P	200.00	180.00	15.00	16.00	10.00	0.30
SU200-185-9.6DE-P	200.00	185.00	9.60	10.60	10.00	0.30
SU200-186-15.5DE-P	200.00	186.00	15.50	16.50	10.00	0.30
SU205-194-15DE-P	205.00	194.00	15.00	16.00	10.00	0.30
SU205-197-8.2DE-P	205.00	197.00	8.20	9.00	10.00	0.30
SU220-190-18DE-P	220.00	190.00	18.00	19.00	10.00	0.30
SU220-195-16DE-P	220.00	195.00	16.00	17.00	10.00	0.30
SU220-200-15DE-P	220.00	200.00	15.00	16.00	10.00	0.30
SU240-220-12DE-P	240.00	220.00	12.00	13.00	10.00	0.30
SU250-220-18DE-P	250.00	220.00	18.00	19.00	10.00	0.30
SU250-220-22.7DE-P	250.00	220.00	22.70	25.00	10.00	0.30
SU250-225-18.2DE-P	250.00	225.00	18.20	20.00	10.00	0.30
SU250-230-14DE-P	250.00	230.00	14.00	15.00	10.00	0.30
SU250-230-15DE-P	250.00	230.00	15.00	16.50	10.00	0.30
SU250-238-14DE-P	250.00	238.00	14.00	15.00	10.00	0.30
SU280-250-18DE-P	280.00	250.00	18.00	19.00	10.00	0.30
SU300-270-12DE-P	300.00	270.00	12.00	13.00	10.00	0.30
SU300-288-14DE-P	300.00	288.00	14.00	15.00	10.00	0.30

* Nominal Dimensions

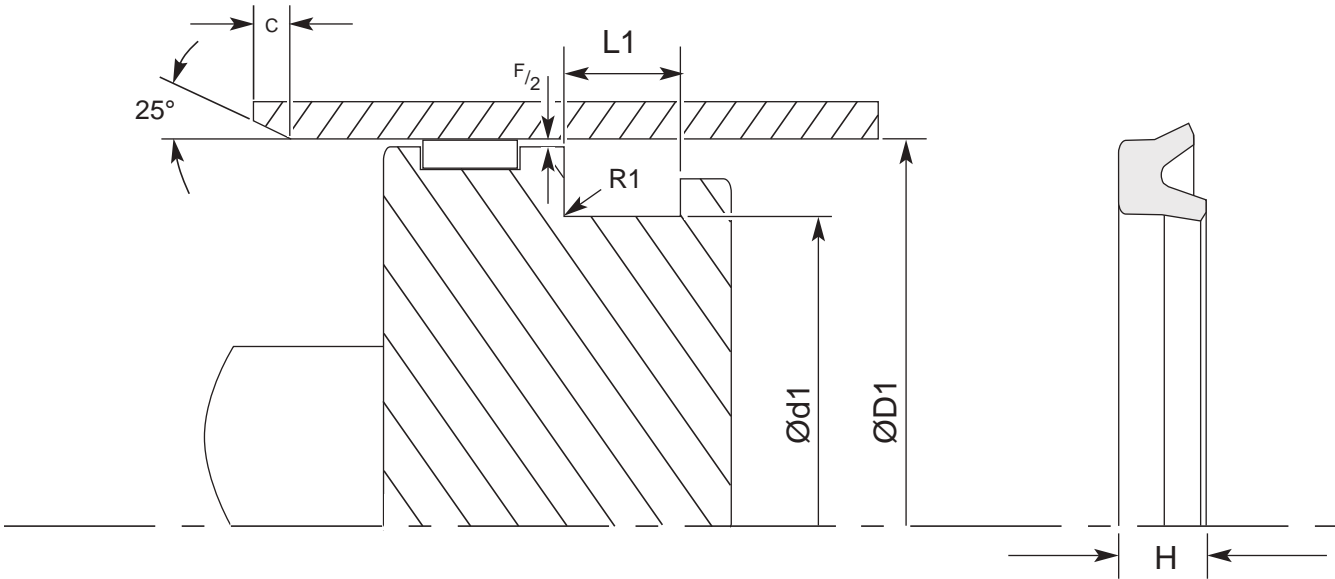
Fluid **Power**

The Hydraulic Seal Specialists

**SU-DE-P**Metric **S**ingle Acting Piston **U**-Seal (**D**istributor **E**xternal) in **P**olyurethane

Part Number	*ØD1	*Ød1	H	*L1	min	max
					C	R1
SU310-280-22DE-P	310.00	280.00	22.00	23.00	10.00	0.30
SU310-280-22.7DE-P	310.00	280.00	22.70	25.00	10.00	0.30
SU320-280-28DE-P	320.00	280.00	28.00	29.00	10.00	0.30
SU320-285-20DE-P	320.00	285.00	20.00	21.00	10.00	0.30
SU320-290-20DE-P	320.00	290.00	20.00	21.00	10.00	0.30
SU360-320-28DE-P	360.00	320.00	28.00	29.00	10.00	0.30
SU360-330-20DE-P	360.00	330.00	20.00	21.00	10.00	0.30
SU400-360-28DE-P	400.00	360.00	28.00	29.00	10.00	0.30
SU400-370-20DE-P	400.00	370.00	20.00	21.00	10.00	0.30

SU-DE-P
Imperial **S**ingle Acting Piston **U**-Seal (**D**istributor **E**xternal) in **P**olyurethane



Maximum Diametrical Clearance F					
Pressure	Bar	100	200	300	400
Maximum Gap	Inch	0.029	0.024	0.019	0.016

Tolerances		
ØD1	Ød1	L1
H10	+0.004" -0.000"	+0.010"/-0.000"

Operating Conditions	
Max Speed	Temp Range
m/s	-30° to 100°C
0.50	250 Bar
0.15	400 Bar

SU-DE-P is an asymmetrical seal designed for piston applications. The outer lip is shorter and more robust to improve sealing and compression set characteristics over conventional U-seals. SU-DE-P is manufactured in high performance polyurethane which has outstanding abrasion and extrusion resistance.

Fluid Power

The Hydraulic Seal Specialists



SU-DE-P

Imperial **S**ingle Acting Piston **U**-Seal (**D**istributor **E**xternal) in **P**olyurethane

Part Number	*ØD1	*Ød1	H	*L1	min	max
					C	R1
SU068025-037DE-P	0.687	0.250	0.375	0.406	0.200	0.008
SU075037-031DE-P	0.750	0.375	0.312	0.344	0.200	0.008
SU100075-012DE-P	1.000	0.750	0.125	0.156	0.200	0.008
SU112075-031DE-P	1.125	0.750	0.312	0.344	0.200	0.008
SU125075-037DE-P	1.250	0.750	0.375	0.406	0.200	0.008
SU125100-025DE-P	1.250	1.000	0.250	0.281	0.200	0.008
SU150100-035DE-P	1.500	1.000	0.357	0.388	0.200	0.008
SU150100-037DE-P	1.500	1.000	0.375	0.406	0.200	0.008
SU150112-025DE-P	1.500	1.125	0.250	0.275	0.200	0.008
SU150125-025DE-P	1.500	1.250	0.250	0.275	0.200	0.008
SU162112-031DE-P	1.625	1.125	0.312	0.344	0.200	0.008
SU162125-031DE-P	1.625	1.250	0.312	0.344	0.200	0.008
SU175112-050DE-P	1.750	1.125	0.500	0.531	0.200	0.008
SU175125-037DE-P	1.750	1.250	0.375	0.406	0.200	0.008
SU175137-031DE-P	1.750	1.375	0.312	0.344	0.200	0.008
SU187125-047DE-P	1.875	1.250	0.469	0.500	0.200	0.008
SU200137-037DE-P	2.000	1.375	0.375	0.406	0.200	0.008
SU200137-043DE-P	2.000	1.375	0.437	0.468	0.200	0.008
SU200137-044DE-P	2.000	1.375	0.440	0.470	0.200	0.008
SU200137-050DE-P	2.000	1.375	0.500	0.531	0.200	0.008
SU200150-031DE-P	2.000	1.500	0.312	0.344	0.200	0.008
SU200150-037DE-P	2.000	1.500	0.375	0.406	0.200	0.008
SU200162-018DE-P	2.000	1.625	0.187	0.206	0.200	0.008
SU200162-031DE-P	2.000	1.625	0.312	0.344	0.200	0.008
SU200162-037DE-P	2.000	1.625	0.375	0.413	0.200	0.008
SU212175-031DE-P	2.125	1.750	0.312	0.344	0.200	0.008
SU212175-037DE-P	2.125	1.750	0.375	0.406	0.200	0.008
SU219161-038DE-P	2.190	1.610	0.380	0.411	0.200	0.008
SU225162-050DE-P	2.250	1.625	0.500	0.531	0.200	0.008
SU225175-037DE-P	2.250	1.750	0.375	0.406	0.200	0.008
SU225187-037DE-P	2.250	1.875	0.375	0.413	0.200	0.008
SU226162-039DE-P	2.260	1.625	0.390	0.421	0.200	0.008
SU237200-037DE-P	2.375	2.000	0.375	0.406	0.200	0.008
SU250162-050DE-P	2.500	1.625	0.500	0.550	0.200	0.008
SU250175-062DE-P	2.500	1.750	0.625	0.656	0.200	0.008
SU250187-037DE-P	2.500	1.875	0.375	0.406	0.200	0.008
SU250187-050DE-P	2.500	1.875	0.500	0.550	0.200	0.008
SU250200-025DE-P	2.500	2.000	0.250	0.275	0.200	0.008
SU250200-037DE-P	2.500	2.000	0.375	0.406	0.200	0.008
SU250212-018DE-P	2.500	2.125	0.187	0.206	0.200	0.008

265 * Nominal Dimensions

Fluid Power

The Hydraulic Seal Specialists

SU-DE-P

Imperial **S**ingle Acting Piston **U**-Seal (**D**istributor **E**xternal) in **P**olyurethane



Part Number	*ØD1	*Ød1	H	*L1	min	max
					C	R1
SU250212-025DE-P	2.500	2.125	0.250	0.275	0.200	0.008
SU250212-031DE-P	2.500	2.125	0.312	0.344	0.200	0.008
SU250212-037DE-P	2.500	2.125	0.375	0.406	0.200	0.008
SU256206-025DE-P	2.562	2.062	0.250	0.281	0.200	0.008
SU256206-034DE-P	2.562	2.062	0.344	0.375	0.200	0.008
SU262200-056DE-P	2.625	2.000	0.562	0.594	0.200	0.008
SU275225-031DE-P	2.750	2.250	0.312	0.344	0.200	0.008
SU275225-037DE-P	2.750	2.250	0.375	0.406	0.200	0.008
SU276200-048DE-P	2.765	2.000	0.486	0.517	0.200	0.008
SU300200-050DE-P	3.000	2.000	0.500	0.531	0.200	0.008
SU300225-045DE-P	3.000	2.250	0.455	0.500	0.200	0.008
SU300225-062DE-P	3.000	2.250	0.625	0.656	0.200	0.008
SU300237-037DE-P	3.000	2.375	0.375	0.406	0.200	0.008
SU300237-050DE-P	3.000	2.375	0.500	0.531	0.200	0.008
SU300237-056DE-P	3.000	2.375	0.562	0.594	0.200	0.008
SU300250-025DE-P	3.000	2.500	0.250	0.275	0.200	0.008
SU300250-037DE-P	3.000	2.500	0.375	0.406	0.200	0.008
SU300256-024DE-P	3.000	2.562	0.240	0.312	0.200	0.008
SU300262-037DE-P	3.000	2.625	0.375	0.406	0.200	0.008
SU325225-050DE-P	3.250	2.250	0.500	0.531	0.200	0.008
SU325250-062DE-P	3.250	2.500	0.625	0.656	0.200	0.008
SU325262-050DE-P	3.250	2.625	0.500	0.550	0.200	0.008
SU325262-056DE-P	3.250	2.625	0.562	0.594	0.200	0.008
SU325275-025DE-P	3.250	2.750	0.250	0.275	0.200	0.008
SU325275-037DE-P	3.250	2.750	0.375	0.406	0.200	0.008
SU325287-025DE-P	3.250	2.875	0.250	0.281	0.200	0.008
SU326250-048DE-P	3.260	2.500	0.486	0.517	0.200	0.008
SU350275-037DE-P	3.500	2.750	0.375	0.406	0.200	0.008
SU350275-050DE-P	3.500	2.750	0.500	0.550	0.200	0.008
SU350275-062DE-P	3.500	2.750	0.625	0.656	0.200	0.008
SU350287-031DE-P	3.500	2.875	0.312	0.344	0.200	0.008
SU350287-050DE-P	3.500	2.875	0.500	0.531	0.200	0.008
SU350300-025DE-P	3.500	3.000	0.250	0.275	0.200	0.008
SU350300-037DE-P	3.500	3.000	0.375	0.406	0.200	0.008
SU350312-027DE-P	3.500	3.125	0.275	0.302	0.200	0.008
SU350312-037DE-P	3.500	3.125	0.375	0.406	0.200	0.008
SU362300-056DE-P	3.625	3.000	0.562	0.594	0.200	0.008
SU362312-037DE-P	3.625	3.125	0.375	0.406	0.200	0.008
SU375300-037DE-P	3.750	3.000	0.375	0.406	0.200	0.008
SU375300-047DE-P	3.750	3.000	0.469	0.500	0.200	0.008

* Nominal Dimensions

Fluid **Power**

The Hydraulic Seal Specialists

**SU-DE-P**Imperial **S**ingle Acting Piston **U**-Seal (**D**istributor **E**xternal) in **P**olyurethane

Part Number	*ØD1	*Ød1	H	*L1	min	max
					C	R1
SU375300-050DE-P	3.750	3.000	0.500	0.531	0.200	0.008
SU375325-037DE-P	3.750	3.250	0.375	0.406	0.200	0.008
SU387325-056DE-P	3.875	3.250	0.562	0.594	0.200	0.008
SU400300-050DE-P	4.000	3.000	0.500	0.531	0.200	0.008
SU400325-037DE-P	4.000	3.250	0.375	0.406	0.200	0.012
SU400325-050DE-P	4.000	3.250	0.500	0.531	0.200	0.012
SU400325-062DE-P	4.000	3.250	0.625	0.656	0.200	0.012
SU400337-037DE-P	4.000	3.375	0.375	0.406	0.200	0.012
SU400337-050DE-P	4.000	3.375	0.500	0.531	0.200	0.012
SU400350-025DE-P	4.000	3.500	0.250	0.275	0.281	0.012
SU400350-031DE-P	4.000	3.500	0.312	0.344	0.281	0.012
SU400350-037DE-P	4.000	3.500	0.375	0.406	0.281	0.012
SU400362-037DE-P	4.000	3.625	0.375	0.406	0.281	0.012
SU412362-037DE-P	4.125	3.625	0.375	0.406	0.281	0.012
SU425350-037DE-P	4.250	3.500	0.375	0.406	0.281	0.012
SU425362-037DE-P	4.250	3.625	0.375	0.406	0.281	0.012
SU425362-050DE-P	4.250	3.625	0.500	0.531	0.281	0.012
SU425362-056DE-P	4.250	3.625	0.562	0.594	0.281	0.012
SU425375-037DE-P	4.250	3.750	0.375	0.406	0.281	0.012
SU450375-037DE-P	4.500	3.750	0.375	0.406	0.281	0.012
SU450375-050DE-P	4.500	3.750	0.500	0.531	0.281	0.012
SU450375-062DE-P	4.500	3.750	0.625	0.656	0.281	0.012
SU450387-050DE-P	4.500	3.875	0.500	0.531	0.281	0.012
SU450400-037DE-P	4.500	4.000	0.375	0.406	0.281	0.012
SU450400-056DE-P	4.500	4.000	0.562	0.594	0.281	0.012
SU475350-056DE-P	4.750	3.500	0.562	0.594	0.281	0.012
SU475437-027DE-P	4.750	4.379	0.275	0.302	0.281	0.012
SU487425-056DE-P	4.875	4.250	0.562	0.594	0.281	0.012
SU500425-037DE-P	5.000	4.250	0.375	0.406	0.281	0.012
SU500425-050DE-P	5.000	4.250	0.500	0.531	0.281	0.012
SU500425-056DE-P	5.000	4.250	0.562	0.619	0.281	0.012
SU500425-062DE-P	5.000	4.250	0.625	0.656	0.281	0.012
SU500450-025DE-P	5.000	4.500	0.250	0.275	0.281	0.012
SU500450-037DE-P	5.000	4.500	0.375	0.406	0.281	0.012
SU500450-043DE-P	5.000	4.500	0.437	0.468	0.281	0.012
SU500450-056DE-P	5.000	4.500	0.562	0.594	0.281	0.012
SU512412-059DE-P	5.125	4.125	0.590	0.649	0.281	0.012
SU512437-050DE-P	5.125	4.375	0.500	0.531	0.281	0.012
SU525450-037DE-P	5.250	4.500	0.375	0.406	0.281	0.012
SU525450-050DE-P	5.250	4.500	0.500	0.531	0.281	0.012

267 * Nominal Dimensions

Fluid Power

The Hydraulic Seal Specialists

SU-DE-P

Imperial **S**ingle Acting Piston **U**-Seal (**D**istributor **E**xternal) in **P**olyurethane



Part Number	*ØD1	*Ød1	H	*L1	min	max
					C	R1
SU525450-062DE-P	5.250	4.500	0.625	0.656	0.281	0.012
SU525462-056DE-P	5.250	4.625	0.562	0.594	0.281	0.012
SU550475-050DE-P	5.500	4.750	0.500	0.531	0.281	0.012
SU550475-062DE-P	5.500	4.750	0.625	0.688	0.281	0.012
SU550500-037DE-P	5.500	5.000	0.375	0.406	0.281	0.012
SU550500-056DE-P	5.500	5.000	0.562	0.594	0.281	0.012
SU575500-050DE-P	5.750	5.000	0.500	0.531	0.281	0.012
SU600500-050DE-P	6.000	5.000	0.500	0.531	0.281	0.012
SU600525-037DE-P	6.000	5.250	0.375	0.406	0.281	0.012
SU600525-050DE-P	6.000	5.250	0.500	0.531	0.281	0.012
SU600525-062DE-P	6.000	5.250	0.625	0.656	0.281	0.012
SU600537-050DE-P	6.000	5.375	0.500	0.531	0.281	0.012
SU600537-056DE-P	6.000	5.375	0.562	0.594	0.281	0.012
SU600550-025DE-P	6.000	5.500	0.250	0.281	0.281	0.012
SU600550-037DE-P	6.000	5.500	0.375	0.406	0.281	0.012
SU600550-050DE-P	6.000	5.500	0.500	0.531	0.281	0.012
SU600550-056DE-P	6.000	5.500	0.562	0.594	0.281	0.012
SU625525-062DE-P	6.250	5.250	0.625	0.656	0.281	0.012
SU625550-037DE-P	6.250	5.500	0.375	0.406	0.281	0.012
SU650550-062DE-P	6.500	5.500	0.625	0.656	0.281	0.012
SU650575-037DE-P	6.500	5.750	0.375	0.406	0.281	0.012
SU675600-050DE-P	6.750	6.000	0.500	0.531	0.281	0.012
SU700600-075DE-P	7.000	6.000	0.750	0.781	0.281	0.012
SU700625-037DE-P	7.000	6.250	0.375	0.406	0.281	0.012
SU700625-050DE-P	7.000	6.250	0.500	0.531	0.281	0.012
SU700625-062DE-P	7.000	6.250	0.625	0.656	0.281	0.012
SU700650-025DE-P	7.000	6.500	0.250	0.275	0.281	0.012
SU700650-037DE-P	7.000	6.500	0.375	0.413	0.281	0.012
SU725650-062DE-P	7.250	6.500	0.625	0.656	0.281	0.012
SU750650-062DE-P	7.500	6.500	0.625	0.656	0.281	0.012
SU750650-075DE-P	7.500	6.500	0.750	0.781	0.281	0.012
SU750675-050DE-P	7.500	6.750	0.500	0.531	0.281	0.012
SU800700-050DE-P	8.000	7.000	0.500	0.531	0.281	0.012
SU800700-075DE-P	8.000	7.000	0.750	0.781	0.281	0.012
SU800725-037DE-P	8.000	7.250	0.375	0.406	0.375	0.012
SU800725-050DE-P	8.000	7.250	0.500	0.531	0.375	0.012
SU800725-062DE-P	8.000	7.250	0.625	0.656	0.375	0.012
SU800750-025DE-P	8.000	7.500	0.250	0.275	0.375	0.012
SU850750-062DE-P	8.500	7.500	0.625	0.656	0.375	0.012
SU850750-075DE-P	8.500	7.500	0.750	0.781	0.375	0.012

* Nominal Dimensions

Fluid **Power**

The Hydraulic Seal Specialists

**SU-DE-P**Imperial **S**ingle Acting Piston **U**-Seal (**D**istributor **E**xternal) in **P**olyurethane

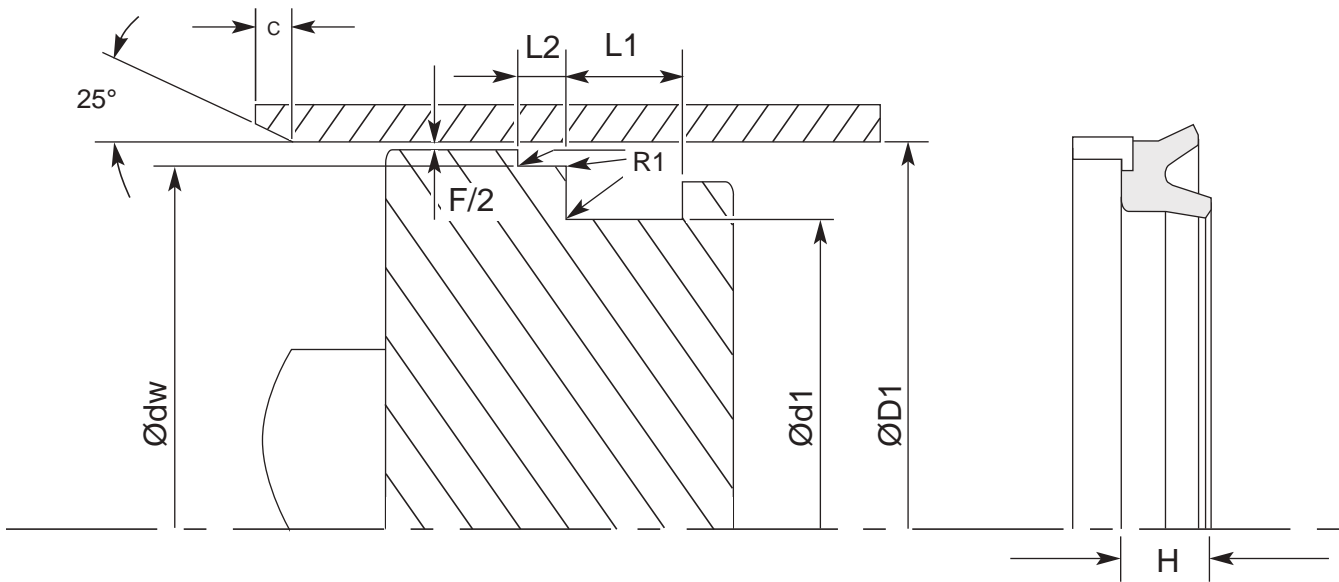
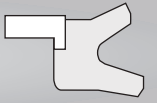
Part Number	*ØD1	*Ød1	H	*L1	min	max
					C	R1
SU900800-075DE-P	9.000	8.000	0.750	0.781	0.375	0.012
SU1000900-062DE-P	10.000	9.000	0.625	0.656	0.375	0.012
SU1000900-075DE-P	10.000	9.000	0.750	0.781	0.375	0.012
SU1000925-037DE-P	10.000	9.250	0.375	0.413	0.375	0.012
SU1050925-075DE-P	10.500	9.250	0.750	0.781	0.375	0.012
SU11001000-062DE-P	11.000	10.000	0.625	0.656	0.375	0.012
SU11001000-075DE-P	11.000	10.000	0.750	0.781	0.375	0.012
SU12001100-062DE-P	12.000	11.000	0.625	0.656	0.375	0.012
SU12001100-075DE-P	12.000	11.000	0.750	0.781	0.375	0.012

Fluid Power

The Hydraulic Seal Specialists

SU-WO-P

Metric **S**ingle Acting Piston **U**-Seal (**W**ear Ring **O**utside Working) in **P**olyurethane



Maximum Diametrical Clearance F					
Pressure	Bar	100	200	300	400
Maximum Gap	mm	0.75	0.60	0.48	0.40

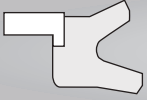
Tolerances				
ØD1	Ød1	Ødw	L1	L2
H10	+0.10	+0.00	+0.25	+0.10
	-0.00	-0.05	-0.00	-0.10

Operating Conditions	
Max Speed	Temp Range
m/s	-30° to 100°C
0.50	250 Bar
0.15	400 Bar

SU-WO-P is an asymmetrical seal designed for piston applications. The outer lip is shorter and more robust to improve sealing and compression set characteristics over conventional U-seals. Combined with an anti-extrusion wear ring which helps prevent extrusion of the seal to allow greater clearances and higher pressures. The wear ring also provides support for the piston preventing misalignment and contact between the piston and the cylinder bore.

Fluid Power

The Hydraulic Seal Specialists



SU-WO-P

Metric **S**ingle Acting Piston **U**-Seal (**W**ear Ring **O**utside Working) in **P**olyurethane

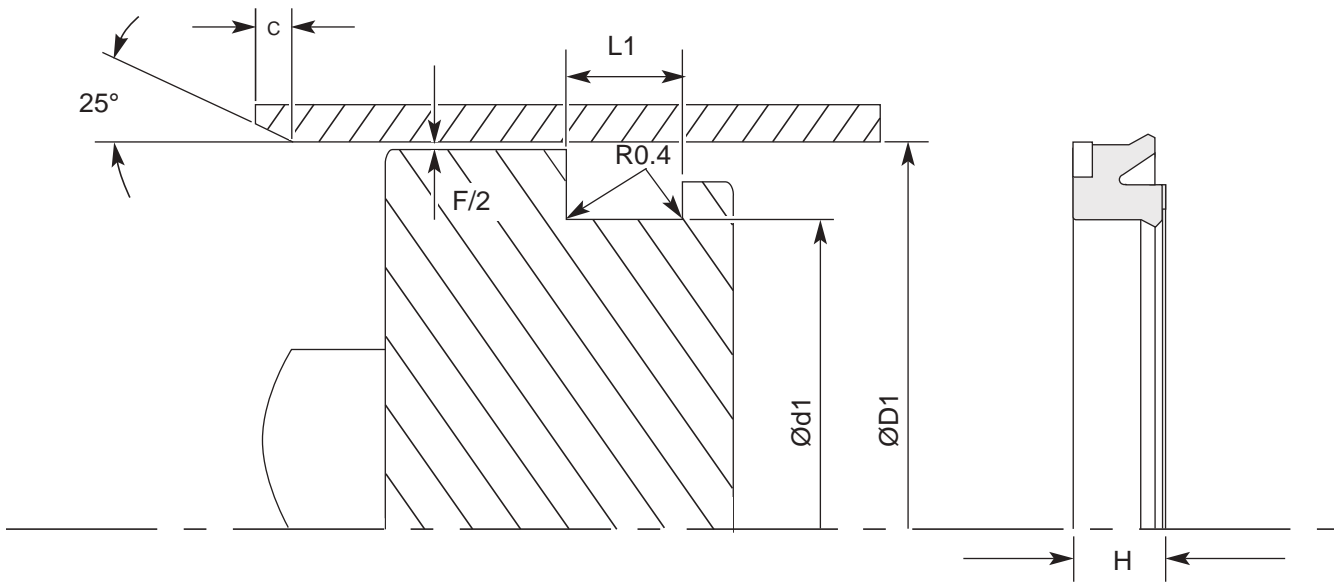
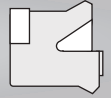
Part Number	*ØD1	*Ød1	H	L1	L2	Ødw	min	max
							C	R1
SU32-20-8WO-P	32.00	20.00	8.00	9.00	6.35	28.50	5.00	0.20
SU35-22-9WO-P	35.00	22.00	9.00	10.00	6.35	31.40	5.00	0.20
SU40-25-8.5WO-P	40.00	25.00	8.50	9.50	6.35	35.40	5.00	0.20
SU40-26-8.5WO-P	40.00	26.00	8.50	9.50	6.35	35.40	5.00	0.20
SU45-30-9WO-P	45.00	30.00	9.00	10.00	6.35	40.40	5.00	0.20
SU45-35-8.5WO-P	45.00	35.00	8.50	9.50	6.35	40.40	5.00	0.20
SU50-30-13.5WO-P	50.00	30.00	13.50	14.50	6.35	44.30	5.00	0.20
SU50-35-10WO-P	50.00	35.00	10.00	11.00	6.35	45.35	5.00	0.20
SU50-40-10WO-P	50.00	40.00	10.00	11.00	6.35	45.40	5.00	0.20
SU55-40-10WO-P	55.00	40.00	10.00	11.00	6.35	50.35	5.00	0.20
SU60-40-13.5WO-P-DW54.2	60.00	40.00	13.50	14.50	6.35	54.20	5.00	0.20
SU60-40-13.5WO-P-DW55.4	60.00	40.00	13.50	14.50	6.35	55.40	5.00	0.20
SU60-45-10WO-P-DW54.2	60.00	45.00	10.00	11.00	6.35	54.20	5.00	0.20
SU60-45-10WO-P-DW55.4	60.00	45.00	10.00	11.00	6.35	55.40	5.00	0.20
SU63-45-10WO-P	63.00	45.00	10.00	11.00	6.35	58.40	5.00	0.20
SU65-50-10WO-P	65.00	50.00	10.00	11.00	6.35	60.40	5.00	0.20
SU70-50-13.5WO-P	70.00	50.00	13.50	14.50	6.35	64.20	5.00	0.20
SU80-60-12WO-P	80.00	60.00	12.00	13.00	6.35	74.15	5.00	0.20
SU80-60-13.5WO-P	80.00	60.00	13.50	14.50	6.35	74.15	5.00	0.20
SU90-70-12WO-P	90.00	70.00	12.00	13.00	6.35	84.15	5.00	0.20
SU90-70-13.5WO-P	90.00	70.00	13.50	14.50	6.35	84.15	5.00	0.20
SU100-80-13.5WO-P-DW93.15	100.00	80.00	13.50	14.50	6.35	93.15	7.00	0.20
SU100-80-13.5WO-P-DW94.15	100.00	80.00	13.50	14.50	6.35	94.15	7.00	0.20
SU110-95-12WO-P	110.00	95.00	12.00	13.00	6.35	103.10	7.00	0.20
SU120-100-13.5WO-P-DW113	120.00	100.00	13.50	14.50	6.35	113.10	7.00	0.20
SU120-100-13.5WO-P-DW114	120.00	100.00	13.50	14.50	6.35	114.10	7.00	0.20

Fluid Power

The Hydraulic Seal Specialists

SU-EO-P

Metric **S**ingle Acting Piston **U**-Seal (**E**xtrusion Ring **O**utside Working) in **P**olyurethane



Maximum Diametrical Clearance F						
Pressure	C/S	Bar	160	260	320	400
Maximum Gap	7.5	mm	0.80	0.70	0.50	0.40
	10,12.5,15	mm	1.20	1.00	0.65	0.55

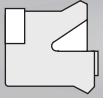
Tolerances		
ØD1	Ød1	L1
H10	h11	+0.30 -0.00

Operating Conditions	
Max Speed	Temp Range
m/s	-30° to 100°C
0.50	400 Bar
0.15	400 Bar

SU-EO-P is an asymmetrical seal designed for piston applications. The outer lip is shorter with pressure relieving grooves. The seal comes with an anti-extrusion ring which helps prevent extrusion of the seal and to allow greater clearances and higher pressures. The pressure relief grooves prevent pressure trapping between seals when fitted back to back on a piston.

Fluid **Power**

The Hydraulic Seal Specialists

**SU-EO-P**Metric **S**ingle Acting Piston **U**-Seal (**E**xtrusion Ring **O**utside Working) in **P**olyurethane

Part Number	*ØD1	*Ød1	H	*L1	min	
					C	C/S
SU40-25-9.3EO-P	40.00	25.00	9.30	9.50	5.00	7.50
SU45-30-9.3EO-P	45.00	30.00	9.30	9.50	5.00	7.50
SU50-35-9.3EO-P	50.00	35.00	9.30	9.50	5.00	7.50
SU50-40-9EO-P	50.00	40.00	9.00	9.50	5.00	5.00
SU55-40-9.3EO-P	55.00	40.00	9.30	9.50	5.00	7.50
SU60-45-9.3EO-P	60.00	45.00	9.30	9.50	5.00	7.50
SU60-50-7EO-P	60.00	50.00	7.00	7.50	5.00	5.00
SU63-48-9.3EO-P	63.00	48.00	9.30	9.50	5.00	7.50
SU65-50-9.3EO-P	65.00	50.00	9.30	9.50	5.00	7.50
SU70-50-12EO-P	70.00	50.00	12.20	12.50	5.00	10.00
SU70-55-9.3EO-P	70.00	55.00	9.30	9.50	5.00	7.50
SU75-55-12EO-P	75.00	55.00	12.20	12.50	5.00	10.00
SU80-60-12EO-P	80.00	60.00	12.20	12.50	5.00	10.00
SU80-65-9.3EO-P	80.00	65.00	9.30	9.50	5.00	7.50
SU85-70-9.3EO-P	85.00	70.00	9.30	9.50	5.00	7.50
SU90-70-12EO-P	90.00	70.00	12.20	12.50	5.00	10.00
SU90-75-9.3EO-P	90.00	75.00	9.30	9.50	5.00	7.50
SU100-80-12EO-P	100.00	80.00	12.20	12.50	7.00	10.00
SU100-85-9.3EO-P	100.00	85.00	9.30	9.50	7.00	7.50
SU105-85-12EO-P	105.00	85.00	12.20	12.50	7.00	10.00
SU110-90-12EO-P	110.00	90.00	12.20	12.50	7.00	10.00
SU114-94-12EO-P	114.00	94.00	12.20	12.50	7.00	10.00
SU115-95-12EO-P	115.00	95.00	12.20	12.50	7.00	10.00
SU125-100-15EO-P	125.00	100.00	15.20	15.50	7.00	12.50
SU125-105-12EO-P	125.00	105.00	12.20	12.50	7.00	10.00
SU130-110-12EO-P	130.00	110.00	12.20	12.50	7.00	10.00
SU140-115-15EO-P	140.00	115.00	15.20	15.50	7.00	12.50
SU140-120-12EO-P	140.00	115.00	12.20	12.50	7.00	12.50
SU150-120-18.6EO-P	150.00	120.00	18.60	19.00	7.00	15.00
SU160-130-18.6EO-P	160.00	130.00	18.60	19.00	7.00	15.00
SU160-140-12EO-P	160.00	140.00	12.20	12.50	7.00	10.00
SU170-150-12EO-P	170.00	150.00	12.20	12.50	7.00	10.00
SU180-150-18.6EO-P	180.00	150.00	18.60	19.00	7.00	15.00
SU180-160-12EO-P	180.00	160.00	12.20	12.50	7.00	10.00
SU200-170-18.6EO-P	200.00	170.00	18.60	19.00	10.00	15.00
SU200-175-15.7EO-P	200.00	175.00	15.70	16.00	10.00	12.50
SU220-200-15.7EO-P	220.00	200.00	15.70	16.00	10.00	10.00
SU225-195-18.6EO-P	225.00	195.00	18.60	19.00	10.00	15.00
SU250-220-18.6EO-P	250.00	220.00	18.60	19.00	10.00	15.00
SU250-225-15.7EO-P	250.00	225.00	15.70	16.00	10.00	12.50

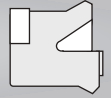
273 * Nominal Dimensions

Fluid Power

The Hydraulic Seal Specialists

SU-EO-P

Metric **S**ingle Acting Piston **U**-Seal (**E**xtrusion Ring **O**utside Working) in **P**olyurethane



Part Number	*ØD1	*Ød1	H	*L1	min	
					C	C/S
SU280-250-18.6EO-P	280.00	250.00	18.60	19.00	10.00	15.00
SU300-270-18.6EO-P	300.00	270.00	18.60	19.00	10.00	15.00
SU320-290-18.6EO-P	320.00	290.00	18.60	20.00	10.00	15.00

* Nominal Dimensions

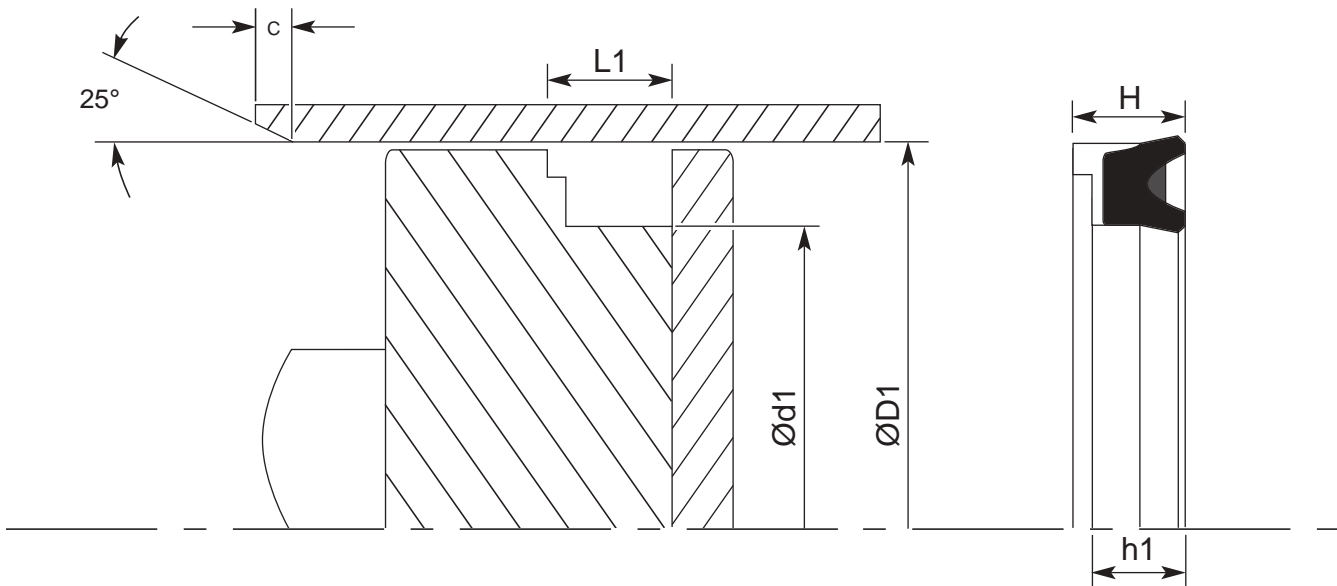
Fluid Power

The Hydraulic Seal Specialists



SU-WO-R

Metric **S**ingle Acting Piston **U**-Seal (**W**ear Ring **O**utside Working) in **R**ubber



Tolerances

ØD1	Ød1
H9	+0.00/-0.20

Operating Conditions

Max Speed	Temp Range
m/s	-30° to 100°C
0.50	350 Bar

SU-WO-R is an asymmetrical seal designed for piston applications.

Consisting of a nitrile sealing element backed up with a nylon anti-extrusion ring.

Commonly found on plant equipment, it is recommended that these seals are only used as replacement parts. In new designs, alternative seals should be considered.

Fluid Power

The Hydraulic Seal Specialists

SU-WO-R

Metric **S**ingle Acting Piston **U**-Seal (**W**ear Ring **O**utside Working) in **R**ubber



Part Number	*ØD1	*Ød1	h1	H	*L1
SU45-27-10-12WO-R	45.00	27.00	10.00	12.00	12.50
SU50-32-10-12WO-R	50.00	32.00	10.00	12.00	12.50
SU55-37-10-12WO-R	55.00	37.00	10.00	12.00	12.50
SU60-42-10-12WO-R	60.00	42.00	10.00	12.00	12.50
SU65-47-10-12WO-R	65.00	47.00	10.00	12.00	12.50
SU70-48-12-14.5WO-R	70.00	48.00	12.00	14.50	15.00
SU80-58-12-14.5WO-R	80.00	58.00	12.00	14.50	15.00
SU90-68-12-14.5WO-R	90.00	68.00	12.00	14.50	15.00
SU100-78-12-14.5WO-R	100.00	78.00	12.00	14.50	15.00
SU110-88-12-14.5WO-R	110.00	88.00	12.00	14.50	15.00
SU115-93-12-14.5WO-R	115.00	93.00	12.00	14.50	15.00
SU120-98-12-14.5WO-R	120.00	98.00	12.00	14.50	15.00
SU125-103-12-14.5WO-R	125.00	103.00	12.00	14.50	15.00
SU130-108-12-14.5WO-R	130.00	108.00	12.00	14.50	15.00
SU135-113-12-14.5WO-R	135.00	113.00	12.00	14.50	15.00
SU140-118-12-14.5WO-R	140.00	118.00	12.00	14.50	15.00
SU145-123-12-14.5WO-R	145.00	123.00	12.00	14.50	15.00
SU150-128-12-14.5WO-R	150.00	128.00	12.00	14.50	15.00
SU160-138-12-14.5WO-R	160.00	138.00	12.00	14.50	15.00
SU170-148-12-14.5WO-R	170.00	148.00	12.00	14.50	15.00
SU180-158-12-14.5WO-R	180.00	158.00	12.00	14.50	15.00
SU190-168-12-14.5WO-R	190.00	168.00	12.00	14.50	15.00
SU200-178-12-14.5WO-R	200.00	178.00	12.00	14.50	15.00
SU225-203-12-14.5WO-R	225.00	203.00	12.00	14.50	15.00
SU230-208-12-14.5WO-R	230.00	208.00	12.00	14.50	15.00

* Nominal Dimensions

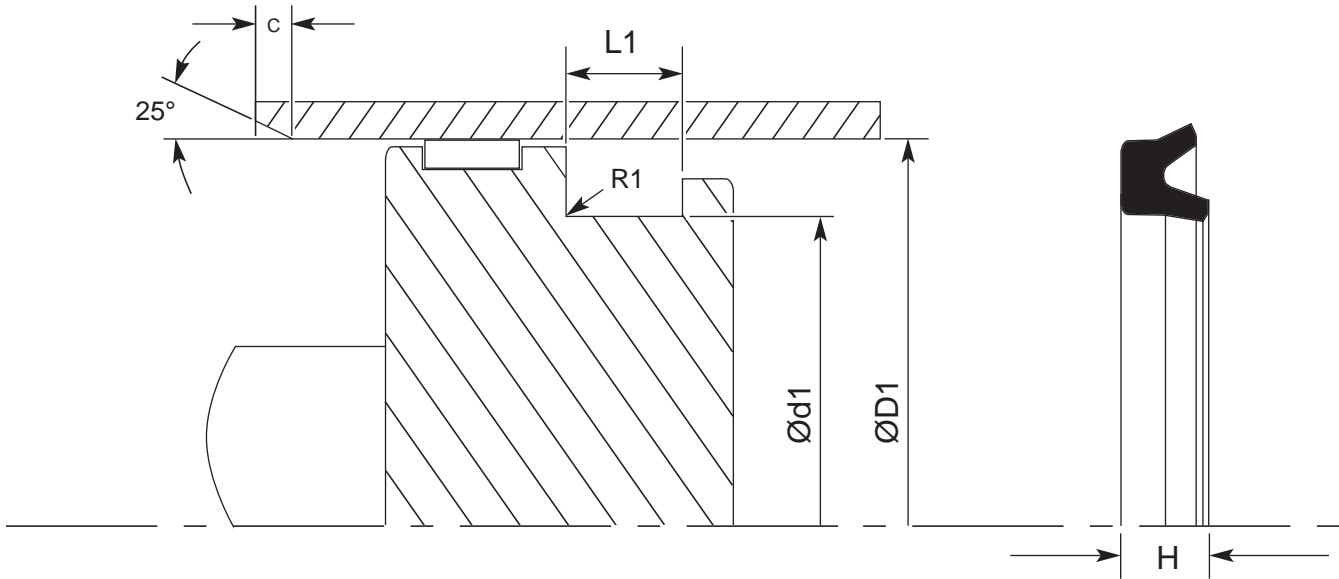
Fluid Power

The Hydraulic Seal Specialists



SU-DE-R

Metric **S**ingle Acting Piston **U**-Seal (**D**istributor **E**xternal) in **R**ubber



Tolerances

ØD1	Ød1	L1
H11	h9	+0.25/-0.00

Operating Conditions

The Operating conditions for this range of seals varies greatly depending on the manufacturer and the style of seal. Please consult the FPE sales team to ensure that the seal you are being offered is suitable for your requirements.

SU-DE-R is an asymmetrical seal designed for pneumatic and low pressure hydraulic piston applications.

The seal design offers good sealing performance with low static and dynamic friction due to the smallest possible sections.

Fluid Power

The Hydraulic Seal Specialists

SU-DE-R

Metric **S**ingle Acting Piston **U**-Seal (**D**istributor **E**xternal) in **R**ubber



Part Number	*ØD1	*Ød1	H	*L1	min	max
					C	R1
SU4-1.5-1.5DE-R	4.00	1.50	1.50	2.00	1.00	0.20
SU4-1.5-1.7DE-R	4.00	1.50	1.70	2.00	1.00	0.20
SU5-2-2.2DE-R	5.00	2.00	2.20	2.50	1.00	0.20
SU5-2.5-1.5DE-R	5.00	2.50	1.50	2.00	1.00	0.20
SU6-2.5-2DE-R	6.00	2.50	2.00	2.30	1.00	0.20
SU6-3-2DE-R	6.00	3.00	2.00	2.50	1.00	0.20
SU6-3-3DE-R	6.00	3.00	3.00	3.50	1.00	0.20
SU7.5-4-2DE-R	7.50	4.00	2.00	2.50	1.00	0.20
SU8-3-3.5DE-R	8.00	3.00	3.50	4.00	1.25	0.20
SU8-4-2.5DE-R	8.00	4.00	2.55	3.00	1.00	0.20
SU8-4.8-2.3DE-R	8.00	4.80	2.30	2.70	1.00	0.20
SU8-5-4DE-R	8.00	5.00	4.00	4.50	1.00	0.20
SU8-5.4-2.3DE-R	8.00	5.45	2.30	2.80	1.00	0.20
SU9.5-4.5-3.5-DE-R	9.50	4.50	3.50	4.00	1.00	0.20
SU10-3-4DE-R	10.00	3.00	4.00	4.50	1.75	0.20
SU10-5-3DE-R	10.00	5.00	3.00	3.50	1.25	0.20
SU10-5-3.5DE-R	10.00	5.00	3.50	4.00	1.25	0.20
SU10-6-2.5DE-R	10.00	6.00	2.55	3.00	1.00	0.20
SU10-6-4.2DE-R	10.00	6.00	4.20	4.70	1.00	0.20
SU10-6.4-2.5DE-R	10.00	6.45	2.55	3.00	1.00	0.20
SU11-6-4DE-R	11.00	6.00	4.00	4.50	1.25	0.20
SU12-6-4DE-R	12.00	6.00	4.00	4.50	1.50	0.20
SU12-7-2.5DE-R	12.00	7.00	2.55	3.00	1.25	0.20
SU12-7-4DE-R	12.00	7.00	4.00	4.50	1.25	0.20
SU12-8-3DE-R	12.00	8.00	3.00	3.50	1.50	0.20
SU13-7-4DE-R	13.00	7.00	4.00	4.50	1.50	0.20
SU13-8-2.5DE-R	13.00	8.00	2.55	3.00	1.50	0.20
SU13.5-8-4DE-R	13.50	8.00	4.00	4.50	1.25	0.20
SU14-6-5.5DE-R	14.00	6.00	5.50	6.00	2.00	0.20
SU14-6-8DE-R	14.00	6.00	8.00	9.00	2.00	0.20
SU14-8-2.5DE-R	14.00	8.00	2.55	3.00	1.25	0.20
SU14-8-4DE-R	14.00	8.00	4.00	4.50	1.25	0.20
SU14-8-4.5DE-R	14.00	8.00	4.50	5.00	1.25	0.20
SU15-7-5.5DE-R	15.00	7.00	5.50	6.00	2.00	0.20
SU15-9-2.5DE-R	15.00	9.00	2.55	3.00	1.50	0.20
SU15-9-8DE-R	15.00	9.00	8.00	9.00	1.50	0.20
SU15.7-10-4DE-R	15.70	10.00	4.00	4.50	1.25	0.20
SU16-6-10DE-R	16.00	6.00	10.00	11.00	2.50	0.20
SU16-8-5.5DE-R	16.00	8.00	5.50	6.00	1.50	0.20
SU16-9-5.5DE-R	16.00	9.00	5.50	6.00	1.75	0.20

* Nominal Dimensions

Fluid Power

The Hydraulic Seal Specialists



SU-DE-R

Metric **S**ingle Acting Piston **U**-Seal (**D**istributor **E**xternal) in **R**ubber

Part Number	*ØD1	*Ød1	H	*L1	min	max
					C	R1
SU16-10-2.5DE-R	16.00	10.00	2.55	3.00	1.50	0.20
SU16-10-4DE-R	16.00	10.00	4.00	4.50	1.50	0.20
SU16-10-5.5DE-R	16.00	10.00	5.50	6.00	1.50	0.20
SU16-10-6DE-R	16.00	10.00	6.00	6.50	1.50	0.20
SU16-10-8DE-R	16.00	10.00	8.00	9.00	1.50	0.20
SU16-11-2.5DE-R	16.00	11.00	2.55	3.00	1.50	0.20
SU17-11-4.5DE-R	17.00	11.00	4.50	5.00	1.50	0.20
SU17.5-11.7-3DE-R	17.50	11.70	3.00	3.50	1.50	0.20
SU18-10-5.5DE-R	18.00	10.00	5.50	6.00	2.00	0.20
SU18-12-2.5DE-R	18.00	12.00	2.55	3.00	1.50	0.20
SU20-10-7DE-R	20.00	10.00	7.00	7.50	2.50	0.20
SU20-12-5.5DE-R	20.00	12.00	5.50	6.00	2.00	0.20
SU20-14-2.5DE-R	20.00	14.00	2.55	3.00	1.50	0.20
SU20-14-4DE-R	20.00	14.00	4.00	4.50	1.50	0.20
SU20-14-4.2DE-R	20.00	14.00	4.20	4.70	1.50	0.20
SU20-14-5.5DE-R	20.00	14.00	5.50	6.00	1.50	0.20
SU20.5-14-4DE-R	20.50	14.00	4.00	4.50	1.50	0.20
SU21-15-2.5DE-R	21.00	15.00	2.55	3.00	1.50	0.20
SU22-13-7DE-R	22.00	13.00	7.00	7.50	2.25	0.20
SU22-14-5.5DE-R	22.00	14.00	5.50	6.00	2.00	0.20
SU22-16-2.5DE-R	22.00	16.00	2.55	3.00	1.50	0.20
SU22-16-5DE-R	22.00	16.00	5.00	5.50	1.50	0.20
SU24-16-5.5DE-R	24.00	16.00	5.50	6.00	2.00	0.20
SU24-18-3.2DE-R	24.00	18.00	3.25	3.50	1.50	0.20
SU25-15.5-5.8DE-R	25.00	15.50	5.80	6.30	2.50	0.20
SU25-17-4.5DE-R	25.00	17.00	4.50	5.00	2.00	0.20
SU25-17-5.5DE-R	25.00	17.00	5.50	6.00	2.00	0.20
SU25-18-5DE-R	25.00	18.00	5.00	5.50	1.75	0.20
SU25-19-3.2DE-R	25.00	19.00	3.25	3.50	1.50	0.20
SU25-19-6DE-R	25.00	19.00	6.00	6.50	1.50	0.20
SU26-18-5.5DE-R	26.00	18.00	5.50	6.00	2.00	0.20
SU26-18-7DE-R	26.00	18.00	7.00	7.50	2.00	0.20
SU28-16-9DE-R	28.00	16.00	9.00	10.00	3.00	0.20
SU28-18-7DE-R	28.00	18.00	7.00	7.50	2.50	0.20
SU28-18-8DE-R	28.00	18.00	8.00	8.50	2.50	0.20
SU28-20-5.5DE-R	28.00	20.00	5.50	6.00	2.00	0.20
SU28-22-3.2DE-R	28.00	22.00	3.25	3.50	1.50	0.20
SU30-15-10DE-R	30.00	15.00	10.00	11.00	4.00	0.20
SU30-18-8DE-R	30.00	18.00	8.00	8.50	3.00	0.20
SU30-20-7DE-R	30.00	20.00	7.00	7.50	2.50	0.20

279 * Nominal Dimensions

Fluid Power

The Hydraulic Seal Specialists

SU-DE-R

Metric **S**ingle Acting Piston **U**-Seal (**D**istributor **E**xternal) in **R**ubber



Part Number	*ØD1	*Ød1	H	*L1	min	max
					C	R1
SU30-22-3.2DE-R	30.00	22.00	3.25	3.50	2.00	0.20
SU30-22-5.5DE-R	30.00	22.00	5.50	6.00	2.00	0.20
SU30-22-6DE-R	30.00	22.00	6.00	6.50	2.00	0.20
SU30-22.5-4.8DE-R	30.00	22.50	4.80	5.20	2.00	0.20
SU32-20-6.5DE-R	32.00	20.00	6.50	7.00	3.00	0.20
SU32-22-5DE-R	32.00	22.00	5.00	5.50	2.50	0.20
SU32-22-7DE-R	32.00	22.00	7.00	7.50	2.50	0.20
SU32-24-3.2DE-R	32.00	24.00	3.25	3.50	1.50	0.20
SU32-24-5.5DE-R	32.00	24.00	5.50	6.00	1.50	0.20
SU34-24-7DE-R	34.00	24.00	7.00	7.50	2.50	0.20
SU35-25-6.5DE-R	35.00	25.00	6.50	7.00	2.50	0.20
SU35-25-7DE-R	35.00	25.00	7.00	7.50	2.50	0.20
SU35-25-8DE-R	35.00	25.00	8.00	8.50	2.50	0.20
SU35-27-3.2DE-R	35.00	27.00	3.25	3.50	2.00	0.20
SU35-27-10DE-R	35.00	27.00	10.00	11.00	2.00	0.20
SU36-26-7DE-R	36.00	26.00	7.00	7.50	2.50	0.20
SU36-28-3.2DE-R	36.00	28.00	3.25	3.50	2.00	0.20
SU36-28-7DE-R	36.00	28.00	7.00	7.50	2.00	0.20
SU37-21-12DE-R	37.00	21.00	12.00	13.00	4.00	0.20
SU37-29-3.2DE-R	37.00	29.00	3.25	3.50	2.00	0.20
SU37-29-5.5DE-R	37.00	29.00	5.50	6.00	2.00	0.20
SU38-28-7DE-R	38.00	28.00	7.00	7.50	2.50	0.20
SU38-30-3.2DE-R	38.00	30.00	3.25	3.50	2.00	0.20
SU39-32-5DE-R	39.00	32.00	5.00	5.50	1.75	0.20
SU40-28-9DE-R	40.00	28.00	9.00	10.00	3.00	0.20
SU40-28-10DE-R	40.00	28.00	10.00	11.00	3.00	0.20
SU40-30-5DE-R	40.00	30.00	5.00	5.50	2.50	0.20
SU40-30-6DE-R	40.00	30.00	6.00	6.50	2.50	0.20
SU40-30-7DE-R	40.00	30.00	7.00	7.50	2.50	0.20
SU40-32-3.2DE-R	40.00	32.00	3.25	3.50	2.00	0.20
SU40-32-5.5DE-R	40.00	32.00	5.50	6.00	2.00	0.20
SU42-30-6DE-R	42.00	30.00	6.00	6.50	3.00	0.20
SU42-34-3.2DE-R	42.00	34.00	3.25	3.50	2.00	0.20
SU43-35-9DE-R	43.00	35.00	9.00	10.00	2.00	0.20
SU43-38-3.8DE-R	43.00	38.00	3.80	4.30	1.25	0.20
SU45-35-7DE-R	45.00	35.00	7.00	7.50	2.50	0.20
SU45-37-3.2DE-R	45.00	37.00	3.25	3.50	2.00	0.20
SU45-37-6DE-R	45.00	37.00	6.00	6.50	2.00	0.20
SU45-37-7DE-R	45.00	37.00	7.00	7.50	2.00	0.20
SU45-38-6DE-R	45.00	38.00	6.00	6.50	1.75	0.20

* Nominal Dimensions

Fluid Power

The Hydraulic Seal Specialists



SU-DE-R

Metric **S**ingle Acting Piston **U**-Seal (**D**istributor **E**xternal) in **R**ubber

Part Number	*ØD1	*Ød1	H	*L1	min	max
					C	R1
SU46-36-7DE-R	46.00	36.00	7.00	7.50	2.50	0.20
SU48-40-5.5DE-R	48.00	40.00	5.50	6.00	2.00	0.20
SU50-34-12DE-R	50.00	34.00	12.00	13.00	4.00	0.20
SU50-36-10DE-R	50.00	36.00	10.00	11.00	3.50	0.20
SU50-38-6DE-R	50.00	38.00	6.00	6.50	3.00	0.20
SU50-40-5DE-R	50.00	40.00	5.00	5.50	2.50	0.20
SU50-40-7DE-R	50.00	40.00	7.00	7.50	2.50	0.20
SU50-42-3.2DE-R	50.00	42.00	3.25	3.50	2.00	0.20
SU50-42-8DE-R	50.00	42.00	8.00	9.00	2.00	0.20
SU50-42-10DE-R	50.00	42.00	10.00	11.00	2.00	0.20
SU52-36-12DE-P	52.00	36.00	12.00	13.00	4.00	0.20
SU52-42-4.2DE-R	52.00	42.00	4.25	4.50	2.50	0.20
SU52-42-5DE-R	52.00	42.00	5.00	5.50	2.50	0.20
SU52-42-7DE-R	52.00	42.00	7.00	7.50	2.50	0.20
SU55-45-7DE-R	55.00	45.00	7.00	7.50	2.50	0.20
SU55-45-7.5DE-R	55.00	45.00	7.50	8.00	2.50	0.20
SU55-45-10DE-R	55.00	45.00	10.00	11.00	2.50	0.20
SU56-46-7DE-R	56.00	46.00	7.00	7.50	2.50	0.20
SU57-50.5-3.2DE-R	57.00	50.50	3.25	3.50	2.00	0.20
SU58-48-4.2DE-R	58.00	48.00	4.25	4.50	2.50	0.20
SU60-40-12DE-R	60.00	40.00	12.00	13.00	4.00	0.20
SU60-44-12DE-R	60.00	44.00	12.00	13.00	4.00	0.20
SU60-50-7DE-R	60.00	50.00	7.00	7.50	2.50	0.20
SU60-50-10DE-R	60.00	50.00	10.00	11.00	2.50	0.20
SU62-46-12DE-R	62.00	46.00	12.00	13.00	4.00	0.20
SU62-47-10DE-R	62.00	47.00	10.00	11.00	4.00	0.20
SU62-52-7DE-R	62.00	52.00	7.00	7.50	2.50	0.20
SU63-45-12DE-R	63.00	45.00	12.00	13.00	4.50	0.20
SU63-48-9.5-R	63.00	48.00	9.50	10.50	4.00	0.20
SU63-50-10DE-R	63.00	50.00	10.00	11.00	3.00	0.20
SU63-53-4.2DE-R	63.00	53.00	4.25	4.50	2.50	0.20
SU63-53-6DE-R	63.00	53.00	6.00	6.50	2.50	0.20
SU63-53-7DE-R	63.00	53.00	7.00	7.50	2.50	0.20
SU65-49-12DE-R	65.00	49.00	12.00	13.00	4.00	0.20
SU65-53-10DE-R	65.00	53.00	10.00	11.00	3.00	0.20
SU65-55-7DE-R	65.00	55.00	7.00	7.50	2.50	0.20
SU67-57-7DE-R	67.00	57.00	7.00	7.50	2.50	0.20
SU68-48-14DE-R	68.00	48.00	14.00	15.00	5.00	0.20
SU68-58-7DE-R	68.00	58.00	7.00	7.50	2.50	0.20
SU70-50-14DE-R	70.00	50.00	14.00	15.00	5.00	0.20

Fluid Power

The Hydraulic Seal Specialists

SU-DE-R

Metric **S**ingle Acting Piston **U**-Seal (**D**istributor **E**xternal) in **R**ubber



Part Number	*ØD1	*Ød1	H	*L1	min	max
					C	R1
SU70-54-12DE-R	70.00	54.00	12.00	13.00	4.00	0.20
SU70-58-7DE-R	70.00	58.00	7.00	7.50	3.00	0.20
SU70-58-8.5DE-R	70.00	58.00	8.50	9.50	3.00	0.20
SU70-60-10DE-R	70.00	60.00	10.00	11.00	2.50	0.20
SU70-62-8DE-R	70.00	62.00	8.00	8.50	2.00	0.20
SU74-62-8.5DE-R	74.00	62.00	8.50	9.50	3.00	0.20
SU75-55-12DE-R	75.00	55.00	12.00	13.00	5.00	0.20
SU75-59-12DE-R	75.00	59.00	12.00	13.00	4.00	0.20
SU75-63-8.5DE-R	75.00	63.00	8.50	9.50	3.00	0.20
SU75-65-7.5DE-R	75.00	65.00	7.50	8.00	2.50	0.20
SU80-60-14DE-R	80.00	60.00	14.00	15.00	5.00	0.20
SU80-63-16DE-R	80.00	63.00	16.00	17.00	4.25	0.20
SU80-64-8DE-R	80.00	64.00	8.00	8.50	4.00	0.20
SU80-64-12DE-R	80.00	64.00	12.00	13.00	4.00	0.20
SU80-65-10DE-R	80.00	65.00	10.00	11.00	4.00	0.20
SU80-68-8.5DE-R	80.00	68.00	8.50	9.50	3.00	0.20
SU80-70-4.2DE-R	80.00	70.00	4.25	4.50	2.50	0.20
SU80-72-12DE-R	80.00	72.00	12.00	13.00	2.00	0.20
SU84-72-8.5DE-R	84.00	72.00	8.50	9.50	3.00	0.20
SU85-73-8.5DE-R	85.00	73.00	8.50	9.50	3.00	0.20
SU90-70-12DE-R	90.00	70.00	12.00	13.00	5.00	0.20
SU90-78-8.5DE-R	90.00	78.00	8.50	9.50	3.00	0.20
SU90-80-4.2DE-R	90.00	80.00	4.25	4.50	2.50	0.20
SU100-80-15DE-R	100.00	80.00	15.00	16.00	5.00	0.20
SU100-84-8DE-R	100.00	84.00	8.00	8.50	4.00	0.20
SU100-85-9DE-R	100.00	85.00	9.00	10.00	4.00	0.20
SU100-85-9.5DE-R	100.00	85.00	9.50	10.50	4.00	0.20
SU100-85-12DE-R	100.00	85.00	12.00	13.00	4.00	0.20
SU100-88-8.5DE-R	100.00	88.00	8.50	9.50	3.00	0.20
SU100-90-4.2DE-R	100.00	90.00	4.25	4.50	2.50	0.20
SU100-90-6.5DE-R	100.00	90.00	6.50	7.00	2.50	0.20
SU100-90-7DE-R	100.00	90.00	7.00	7.50	2.50	0.20
SU100-90-7.2DE-R	100.00	90.00	7.20	7.70	2.50	0.20
SU100-90-8.5DE-R	100.00	90.00	8.50	9.50	2.50	0.20
SU105-85-15DE-R	105.00	85.00	15.00	16.00	5.00	0.20
SU105-93-8.5DE-R	105.00	93.00	8.50	9.50	3.00	0.20
SU110-95-10DE-R	110.00	95.00	10.00	11.00	4.00	0.20
SU110-98-8.5DE-R	110.00	98.00	8.50	9.50	3.00	0.20
SU115-95-14DE-R	115.00	95.00	14.00	15.00	5.00	0.20
SU120-100-15DE-R	120.00	100.00	15.00	16.00	5.00	0.20

* Nominal Dimensions

Fluid Power

The Hydraulic Seal Specialists



SU-DE-R

Metric **S**ingle Acting Piston **U**-Seal (**D**istributor **E**xternal) in **R**ubber

Part Number	*ØD1	*Ød1	H	*L1	min	max
					C	R1
SU120-105-10DE-R	120.00	105.00	10.00	11.00	4.00	0.20
SU125-105-8.2DE-R	125.00	105.00	8.25	8.50	5.00	0.20
SU125-105-12DE-R	125.00	105.00	12.00	13.00	5.00	0.20
SU125-105-15DE-R	125.00	105.00	15.00	16.00	5.00	0.20
SU125-105-16DE-R	125.00	105.00	16.00	17.00	5.00	0.20
SU125-110-10DE-R	125.00	110.00	10.00	11.00	4.00	0.20
SU125-115-7.2DE-R	125.00	115.00	7.20	7.70	2.50	0.20
SU130-110-12DE-R	130.00	110.00	12.00	13.00	5.00	0.20
SU130-115-10DE-R	130.00	115.00	10.00	11.00	4.00	0.20
SU135-115-14DE-R	135.00	115.00	14.00	15.00	5.00	0.20
SU136-116-14DE-R	136.00	116.00	14.00	15.00	5.00	0.20
SU140-115-18DE-R	140.00	115.00	18.00	19.00	6.00	0.20
SU140-120-14DE-R	140.00	120.00	14.00	15.00	5.00	0.20
SU140-120-16DE-R	140.00	120.00	16.00	17.00	5.00	0.20
SU140-125-10DE-R	140.00	125.00	10.00	11.00	4.00	0.20
SU145-130-10DE-R	145.00	130.00	10.00	11.00	5.00	0.20
SU150-130-8.2DE-R	150.00	130.00	8.25	8.50	5.00	0.20
SU150-135-8DE-R	150.00	135.00	8.00	8.50	5.00	0.20
SU150-135-10DE-R	150.00	135.00	10.00	11.00	5.00	0.20
SU155-130-18DE-R	155.00	130.00	18.00	19.00	6.00	0.20
SU160-140-8.2DE-R	160.00	140.00	8.25	8.50	5.00	0.20
SU160-140-14DE-R	160.00	140.00	14.00	15.00	5.00	0.20
SU160-145-10DE-R	160.00	145.00	10.00	11.00	5.00	0.20
SU160-145-14DE-R	160.00	145.00	14.00	15.00	5.00	0.20
SU170-148-15DE-R	170.00	148.00	15.00	16.00	5.00	0.20
SU175-155-14DE-R	175.00	155.00	14.00	15.00	5.00	0.20
SU180-150-25DE-R	180.00	150.00	25.00	26.00	5.00	0.20
SU180-160-9DE-R	180.00	160.00	9.00	10.00	5.00	0.20
SU180-160-14DE-R	180.00	160.00	14.00	15.00	5.00	0.20
SU190-170-14DE-R	190.00	170.00	14.00	15.00	5.00	0.20
SU200-170-25DE-R	200.00	170.00	25.00	26.00	7.50	0.20
SU200-175-16DE-R	200.00	175.00	16.00	17.00	5.00	0.20
SU200-180-8.2DE-R	200.00	180.00	8.25	8.50	5.00	0.20
SU200-180-14DE-R	200.00	180.00	14.00	15.00	5.00	0.20
SU220-199-15DE-R	220.00	199.00	15.00	16.00	5.00	0.20
SU220-200-14DE-R	220.00	200.00	14.00	15.00	5.00	0.20
SU225-200-17.5DE-R	225.00	200.00	17.50	18.50	6.00	0.20
SU240-220-14DE-R	240.00	220.00	14.00	15.00	5.00	0.20
SU250-225-18DE-R	250.00	225.00	18.00	19.00	5.00	0.20
SU250-226-16DE-R	250.00	226.00	16.00	17.00	5.00	0.20

Fluid Power

The Hydraulic Seal Specialists

SU-DE-R

Metric **S**ingle Acting Piston **U**-Seal (**D**istributor **E**xternal) in **R**ubber



Part Number	*ØD1	*Ød1	H	*L1	min	max
					C	R1
SU250-230-14DE-R	250.00	230.00	14.00	15.00	5.00	0.20
SU260-240-14DE-R	260.00	240.00	14.00	15.00	5.00	0.20
SU280-260-14DE-R	280.00	260.00	14.00	15.00	5.00	0.20
SU300-270-12DE-R	300.00	270.00	12.00	13.00	5.00	0.20
SU300-280-15DE-R	300.00	280.00	15.00	16.00	5.00	0.20
SU315-290-17DE-R	315.00	290.00	17.00	18.00	6.00	0.20
SU320-295-14DE-R	320.00	295.00	14.00	15.00	6.00	0.20
SU320-295-17DE-R	320.00	295.00	17.00	18.00	6.00	0.20
SU330-310-12DE-R	330.00	310.00	12.00	13.00	5.00	0.20
SU350-320-21DE-R	350.00	320.00	21.00	22.00	7.50	0.20
SU470-440-21DE-R	470.00	440.00	21.00	22.00	7.50	0.20

* Nominal Dimensions

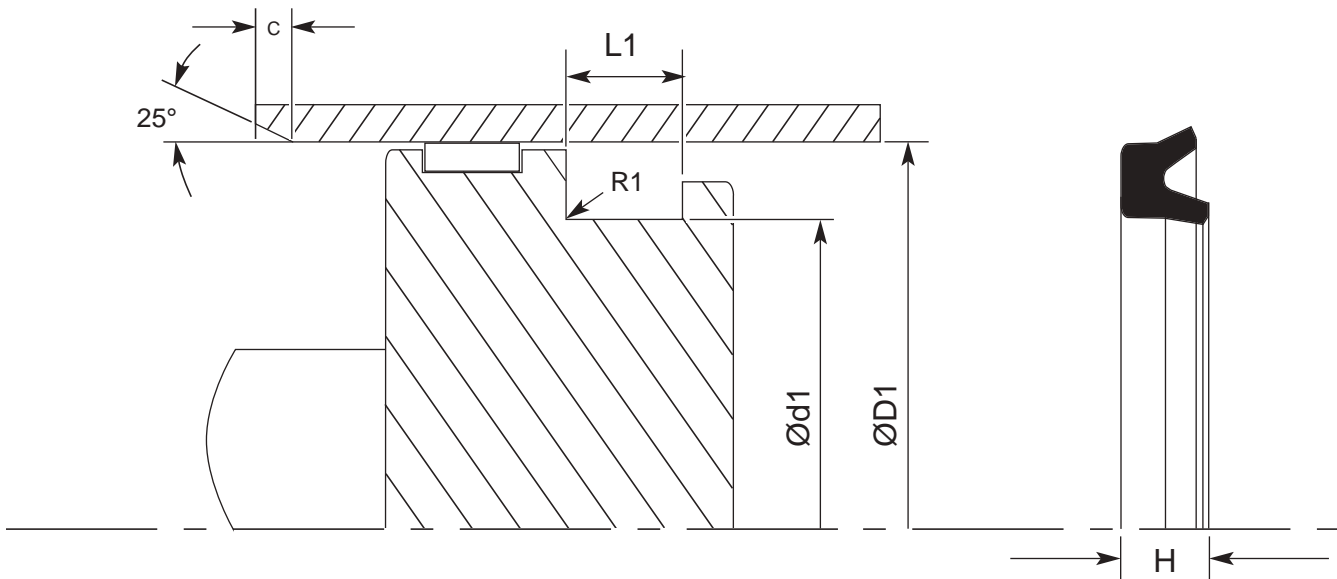
Fluid Power

The Hydraulic Seal Specialists



SU-DE-R

Imperial **S**ingle Acting Piston **U**-Seal (**D**istributor **E**xternal) in **R**ubber



Tolerances

ØD1	Ød1	L1
H11	h9	+0.010/-0.000

Operating Conditions

The Operating conditions for this range of seals varies greatly depending on the manufacturer and the style of seal. Please check with the FPE sales team to ensure that the seal you are being offered is suitable for your requirements.

SU-DE-R is an asymmetrical seal designed for pneumatic and low pressure hydraulic piston applications.

The seal design offers good sealing performance with low static and dynamic friction due to the smallest possible sections.

Fluid Power

The Hydraulic Seal Specialists

SU-DE-R

Imperial **S**ingle Acting Piston **U**-Seal (**D**istributor **E**xternal) in **R**ubber

Part Number	*ØD1	*Ød1	H	*L1	min	max
					C	R1
SU037012-015DE-R	0.375	0.125	0.156	0.219	0.080	0.016
SU043018-015DE-R	0.437	0.187	0.156	0.219	0.080	0.016
SU050025-018DE-R	0.500	0.250	0.187	0.250	0.080	0.016
SU056031-018DE-R	0.563	0.312	0.187	0.250	0.080	0.016
SU062031-021DE-R	0.625	0.312	0.219	0.281	0.080	0.016
SU068047-012DE-R	0.687	0.475	0.125	0.187	0.080	0.016
SU075037-025DE-R	0.750	0.375	0.250	0.281	0.080	0.016
SU075050-012DE-R	0.750	0.500	0.125	0.187	0.080	0.016
SU075050-018DE-R	0.750	0.500	0.187	0.218	0.080	0.016
SU081043-025DE-R	0.812	0.437	0.250	0.281	0.080	0.016
SU081056-025DE-R	0.812	0.563	0.250	0.281	0.080	0.016
SU087050-025DE-R	0.875	0.500	0.250	0.281	0.080	0.016
SU093056-025DE-R	0.937	0.563	0.250	0.312	0.080	0.016
SU100062-025DE-R	1.000	0.625	0.250	0.312	0.080	0.016
SU100075-025DE-R	1.000	0.750	0.250	0.312	0.080	0.016
SU106068-025DE-R	1.062	0.687	0.250	0.312	0.080	0.016
SU112062-031DE-R	1.125	0.625	0.312	0.375	0.092	0.030
SU112075-025DE-R	1.125	0.750	0.250	0.312	0.080	0.016
SU118068-031DE-R	1.187	0.687	0.312	0.375	0.092	0.016
SU118081-025DE-R	1.187	0.812	0.250	0.312	0.080	0.016
SU125075-025DE-R	1.250	0.750	0.250	0.312	0.092	0.030
SU125075-031DE-R	1.250	0.750	0.312	0.375	0.092	0.030
SU125094-021DE-R	1.250	0.945	0.210	0.270	0.080	0.016
SU125094-027DE-R	1.250	0.945	0.275	0.338	0.080	0.016
SU131056-037DE-R	1.312	0.562	0.375	0.437	0.187	0.047
SU137087-025DE-R	1.375	0.875	0.250	0.312	0.092	0.030
SU137087-031DE-R	1.375	0.875	0.312	0.375	0.092	0.030
SU143093-031DE-R	1.437	0.937	0.312	0.375	0.092	0.030
SU143100-025DE-R	1.437	1.000	0.250	0.312	0.080	0.016
SU150100-031DE-R	1.500	1.000	0.312	0.375	0.092	0.030
SU150113-025DE-R	1.500	1.137	0.250	0.312	0.080	0.016
SU150118-025DE-R	1.500	1.187	0.250	0.312	0.080	0.016
SU150118-031DE-R	1.500	1.187	0.312	0.375	0.080	0.016
SU156106-025DE-R	1.562	1.062	0.250	0.312	0.092	0.030
SU162100-037DE-R	1.625	1.000	0.375	0.437	0.080	0.016
SU162118-025DE-R	1.625	1.187	0.250	0.312	0.080	0.016
SU168118-037DE-R	1.687	1.187	0.375	0.437	0.092	0.030
SU175112-037DE-R	1.750	1.125	0.375	0.437	0.156	0.030
SU175137-027DE-R	1.750	1.375	0.274	0.328	0.080	0.016
SU177112-037DE-R	1.770	1.125	0.375	0.437	0.080	0.016

* Nominal Dimensions

Fluid **Power**

The Hydraulic Seal Specialists

**SU-DE-R**Imperial **S**ingle Acting Piston **U**-Seal (**D**istributor **E**xternal) in **R**ubber

Part Number	*ØD1	*Ød1	H	*L1	min	max
					C	R1
SU181111-040DE-R	1.812	1.112	0.400	0.469	0.156	0.030
SU187125-031DE-R	1.875	1.250	0.312	0.375	0.156	0.030
SU187125-037DE-R	1.875	1.250	0.375	0.437	0.156	0.030
SU193138-037DE-R	1.937	1.387	0.375	0.437	0.092	0.030
SU193140-037DE-R	1.937	1.400	0.375	0.438	0.080	0.016
SU200137-037DE-R	2.000	1.375	0.375	0.437	0.156	0.030
SU200162-028DE-R	2.000	1.625	0.281	0.344	0.080	0.016
SU212150-037DE-R	2.125	1.500	0.375	0.437	0.156	0.030
SU212162-037DE-R	2.125	1.625	0.375	0.437	0.092	0.030
SU212168-037DE-R	2.125	1.687	0.375	0.437	0.080	0.016
SU225162-037DE-R	2.250	1.625	0.375	0.437	0.156	0.030
SU225162-043DE-R	2.250	1.625	0.437	0.500	0.156	0.030
SU225175-025DE-R	2.250	1.750	0.250	0.312	0.092	0.030
SU225175-031DE-R	2.250	1.750	0.312	0.375	0.092	0.030
SU237175-037DE-R	2.375	1.750	0.375	0.437	0.156	0.030
SU237187-025DE-R	2.375	1.875	0.250	0.312	0.092	0.030
SU240177-037DE-R	2.400	1.770	0.375	0.437	0.156	0.030
SU250180-035DE-R	2.500	1.800	0.350	0.406	0.156	0.030
SU250187-037DE-R	2.500	1.875	0.375	0.437	0.156	0.030
SU250200-026DE-R	2.500	2.000	0.260	0.323	0.092	0.030
SU262200-035DE-R	2.625	2.000	0.350	0.406	0.156	0.030
SU262200-037DE-R	2.625	2.000	0.375	0.437	0.156	0.030
SU275200-050DE-R	2.750	2.000	0.500	0.562	0.187	0.047
SU275212-031DE-R	2.750	2.125	0.312	0.375	0.156	0.030
SU275212-037DE-R	2.750	2.125	0.375	0.438	0.156	0.030
SU287212-050DE-R	2.875	2.125	0.500	0.562	0.156	0.030
SU287250-021DE-R	2.875	2.500	0.219	0.281	0.080	0.016
SU300225-050DE-R	3.000	2.250	0.500	0.562	0.187	0.047
SU300228-034DE-R	3.000	2.285	0.344	0.406	0.187	0.047
SU300250-050DE-R	3.000	2.500	0.500	0.562	0.092	0.030
SU312237-050DE-R	3.125	2.375	0.500	0.562	0.187	0.047
SU312262-025DE-R	3.125	2.625	0.250	0.312	0.092	0.030
SU325250-050DE-R	3.250	2.500	0.500	0.562	0.187	0.047
SU325281-027DE-R	3.250	2.812	0.276	0.344	0.080	0.016
SU337287-037DE-R	3.375	2.875	0.375	0.437	0.092	0.030
SU350275-050DE-R	3.500	2.750	0.500	0.562	0.187	0.047
SU350300-025DE-R	3.500	3.000	0.250	0.312	0.092	0.030
SU362287-037DE-R	3.625	2.875	0.375	0.437	0.187	0.047
SU362287-050DE-R	3.625	2.875	0.500	0.562	0.187	0.047
SU362300-037DE-R	3.625	3.000	0.375	0.437	0.156	0.030

287 * Nominal Dimensions

Fluid Power

The Hydraulic Seal Specialists

SU-DE-R

Imperial **S**ingle Acting Piston **U**-Seal (**D**istributor **E**ternal) in **R**ubber

Part Number	*ØD1	*Ød1	H	*L1	min	max
					C	R1
SU375300-050DE-R	3.750	3.000	0.500	0.562	0.187	0.047
SU375303-029DE-R	3.750	3.031	0.290	0.344	0.187	0.047
SU387337-037DE-R	3.875	3.375	0.375	0.437	0.092	0.030
SU400325-050DE-R	4.000	3.250	0.500	0.562	0.187	0.047
SU400350-037DE-R	4.000	3.500	0.375	0.437	0.092	0.030
SU412350-031DE-R	4.125	3.500	0.312	0.375	0.156	0.030
SU425350-050DE-R	4.250	3.500	0.500	0.562	0.187	0.047
SU425375-031DE-R	4.250	3.750	0.312	0.375	0.092	0.030
SU437337-062DE-R	4.375	3.375	0.625	0.688	0.250	0.047
SU437373-031DE-R	4.375	3.730	0.312	0.375	0.156	0.030
SU450350-062DE-R	4.500	3.500	0.625	0.687	0.250	0.047
SU462412-037DE-R	4.625	4.125	0.375	0.437	0.092	0.030
SU475375-062DE-R	4.750	3.750	0.625	0.687	0.250	0.047
SU475425-037DE-R	4.750	4.250	0.375	0.437	0.092	0.030
SU487437-037DE-R	4.875	4.375	0.375	0.437	0.092	0.030
SU500400-062DE-R	5.000	4.000	0.625	0.687	0.250	0.047
SU500425-037DE-R	5.000	4.250	0.375	0.437	0.187	0.047
SU512462-037DE-R	5.125	4.625	0.375	0.437	0.092	0.030
SU525425-062DE-R	5.250	4.250	0.625	0.687	0.250	0.047
SU525475-037DE-R	5.250	4.750	0.375	0.437	0.092	0.030
SU537487-037DE-R	5.375	4.875	0.375	0.437	0.092	0.030
SU550450-062DE-R	5.500	4.500	0.625	0.687	0.250	0.047
SU550500-037DE-R	5.500	5.000	0.375	0.437	0.092	0.030
SU562512-037DE-R	5.625	5.125	0.375	0.437	0.092	0.030
SU575475-062DE-R	5.750	4.750	0.625	0.687	0.250	0.047
SU587537-037DE-R	5.875	5.375	0.375	0.437	0.092	0.030
SU600500-062DE-R	6.000	5.000	0.625	0.687	0.250	0.047
SU600550-025DE-R	6.000	5.500	0.250	0.313	0.092	0.030
SU625525-062DE-R	6.250	5.250	0.625	0.687	0.250	0.047
SU650550-062DE-R	6.500	5.500	0.625	0.687	0.250	0.047
SU650610-029DE-R	6.500	6.100	0.296	0.359	0.080	0.016
SU675575-062DE-R	6.750	5.750	0.625	0.687	0.250	0.047
SU675600-043DE-R	6.750	6.000	0.437	0.500	0.187	0.047
SU700600-062DE-R	7.000	6.000	0.625	0.687	0.250	0.047
SU700650-022DE-R	7.000	6.500	0.219	0.282	0.092	0.030
SU725600-075DE-R	7.250	6.000	0.625	0.687	0.250	0.047
SU725650-043DE-R	7.250	6.500	0.437	0.500	0.187	0.047
SU750625-075DE-R	7.500	6.250	0.750	0.813	0.250	0.047
SU775650-075DE-R	7.750	6.500	0.750	0.813	0.250	0.047
SU800675-075DE-R	8.000	6.750	0.750	0.813	0.250	0.047

* Nominal Dimensions

Fluid Power

The Hydraulic Seal Specialists



SU-DE-R

Imperial **S**ingle Acting Piston **U**-Seal (**D**istributor **E**ternal) in **R**ubber

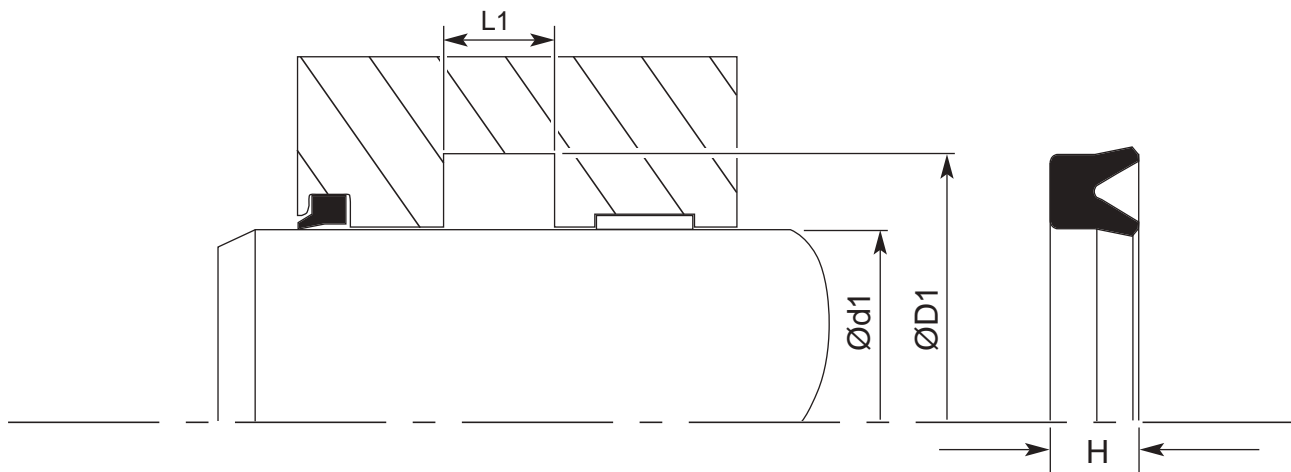
Part Number	*ØD1	*Ød1	H	*L1	min	max
					C	R1
SU800725-093DE-R	8.000	7.250	0.858	0.937	0.250	0.047
SU800750-026DE-R	8.000	7.500	0.260	0.323	0.092	0.030
SU825700-075DE-R	8.250	7.000	0.750	0.813	0.250	0.047
SU850725-075DE-R	8.500	7.250	0.750	0.813	0.250	0.047
SU875750-075DE-R	8.750	7.500	0.750	0.813	0.250	0.047
SU875800-050DE-R	8.750	8.000	0.500	0.562	0.187	0.047
SU900775-075DE-R	9.000	7.750	0.750	0.813	0.250	0.047
SU900825-050DE-R	9.000	8.250	0.500	0.562	0.187	0.047
SU925800-075DE-R	9.250	8.000	0.750	0.813	0.250	0.047
SU925875-027DE-R	9.250	8.750	0.270	0.333	0.092	0.030
SU950825-075DE-R	9.500	8.250	0.750	0.813	0.250	0.047
SU975850-075DE-R	9.750	8.500	0.750	0.813	0.250	0.047
SU1000875-075DE-R	10.000	8.750	0.750	0.813	0.250	0.047
SU1000925-050DE-R	10.000	9.250	0.500	0.562	0.187	0.047
SU1025900-075DE-R	10.250	9.000	0.750	0.813	0.250	0.047
SU1050925-075DE-R	10.500	9.250	0.750	0.813	0.250	0.047
SU1050975-050DE-R	10.500	9.750	0.500	0.562	0.187	0.047
SU1075950-075DE-R	10.750	9.500	0.750	0.813	0.250	0.047
SU1100975-075DE-R	11.000	9.750	0.750	0.813	0.250	0.047
SU11251000-075DE-R	11.250	10.000	0.750	0.813	0.250	0.047
SU11501025-075DE-R	11.500	10.250	0.750	0.813	0.250	0.047
SU11751050-075DE-R	11.750	10.500	0.750	0.813	0.250	0.047
SU12001075-075DE-R	12.000	10.750	0.750	0.813	0.250	0.047
SU12001100-050DE-R	12.000	11.000	0.500	0.562	0.250	0.047
SU13001225-050DE-R	13.000	12.250	0.500	0.562	0.187	0.047
SU13501275-050DE-R	13.500	12.750	0.500	0.562	0.187	0.047
SU14001321-050DE-R	14.000	13.210	0.500	0.563	0.187	0.047

Fluid Power

The Hydraulic Seal Specialists

SU-R

Metric **S**ingle Acting Rod or Piston **U**-Seal in **R**ubber



Tolerances

$\varnothing D1$	$\varnothing d1$	L1
H10	h11	± 0.20

Operating Conditions

The Operating conditions for this range of seals varies greatly depending on the manufacturer and the style of seal. Please consult the FPE sales team to ensure that the seal you are being offered is suitable for your requirements.

SU-R is a symmetrical seal suitable for low pressure hydraulic and pneumatic piston and rod applications.

The sealing effect is obtained due to the lip pre-compression when installed and the pressure effect on the lips.

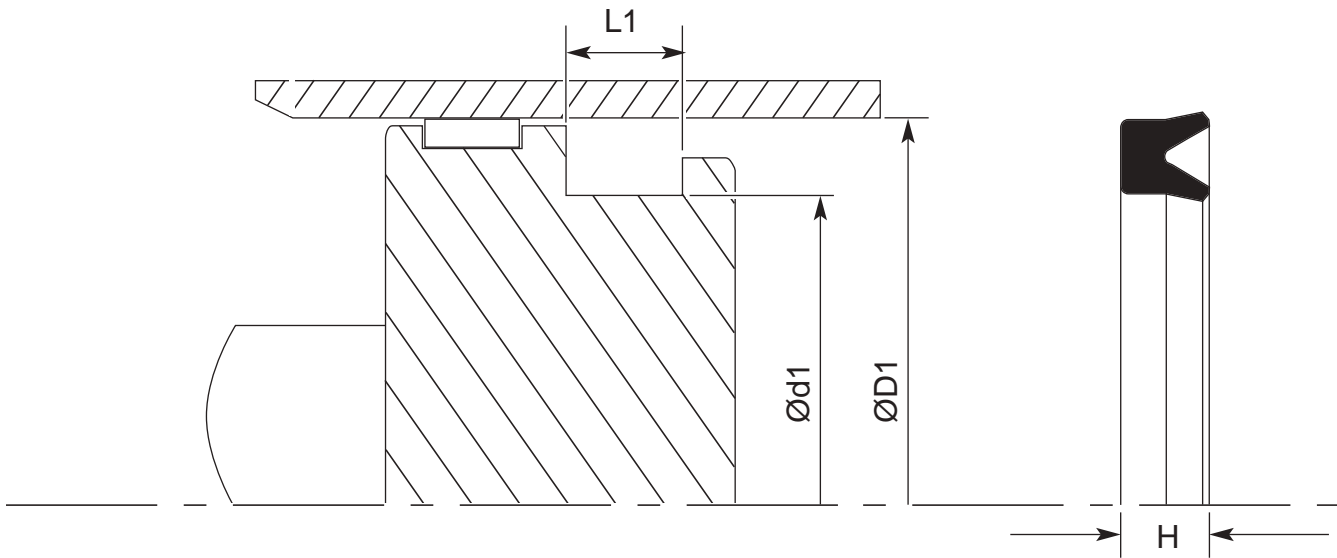
Fluid Power

The Hydraulic Seal Specialists



SU-R

Metric **S**ingle Acting Rod or Piston **U**-Seal in **R**ubber



Tolerances

ØD1	Ød1	L1
H10	h11	± 0.20

Operating Conditions

The Operating conditions for this range of seals varies greatly depending on the manufacturer and the style of seal. Please consult the FPE sales team to ensure that the seal you are being offered is suitable for your requirements.

SU-R is a symmetrical seal suitable for low pressure hydraulic piston and rod applications.

The sealing effect is obtained due to the lip pre-compression when installed and the pressure effect on the lips.

Fluid **Power**

The Hydraulic Seal Specialists

SU-RMetric **S**ingle Acting Rod or Piston **U**-Seal in **R**ubber

Part Number	*ØD1	*Ød1	H	*L1
SU6.4-3-2.9-R	6.40	3.00	2.90	3.40
SU7-3-3-R	7.00	3.00	3.00	3.50
SU7-3-5-R	7.00	3.00	5.00	6.00
SU7.5-4-3-R	7.50	4.00	3.00	3.50
SU8-2-3.5-R	8.00	2.00	3.50	4.00
SU8-3-3.5-R	8.00	3.00	3.50	4.00
SU8-4.5-3-R	8.00	4.50	3.00	3.50
SU8.5-3-4-R	8.50	3.00	4.00	5.00
SU9-5-2-R	9.00	5.00	2.00	2.50
SU9-5-2.4-R	9.00	5.00	2.40	2.90
SU9-6-2-R	9.00	6.00	2.00	2.50
SU10-2-3.8-R	10.00	2.00	3.80	4.30
SU10-3-6-R	10.00	3.00	6.00	7.00
SU10-3.8-4-R	10.00	3.80	4.00	5.00
SU10-4-4-R	10.00	4.00	4.00	5.00
SU10-4-4.5-R	10.00	4.00	4.50	5.50
SU10-4-5-R	10.00	4.00	5.00	6.00
SU10-5-4-R	10.00	5.00	4.00	5.00
SU10-5-5-R	10.00	5.00	5.00	6.00
SU10-6-3-R	10.00	6.00	3.00	3.50
SU10-6-4-R	10.00	6.00	4.00	5.00
SU10-6-4.3-R	10.00	6.00	4.30	4.80
SU10.4-5-2.9-R	10.40	5.00	2.90	3.40
SU11-5-5-R	11.00	5.00	5.00	6.00
SU11-5-7-R	11.00	5.00	7.00	8.00
SU11-6-3-R	11.00	6.00	3.00	3.50
SU12-4-4-R	12.00	4.00	4.00	5.00
SU12-4-5.5-R	12.00	4.00	5.50	6.50
SU12-5-5-R	12.00	5.00	5.00	6.50
SU12-6-4-R	12.00	6.00	4.00	5.00
SU12-6-6-R	12.00	6.00	6.00	7.00
SU12-6-7-R	12.00	6.00	7.00	8.00
SU12-6-8-R	12.00	6.00	8.00	9.50
SU12-8-3-R	12.00	8.00	3.00	3.50
SU12-8-4-R	12.00	8.00	4.00	5.00
SU12-8-5-R	12.00	8.00	5.00	6.00
SU12.3-6-3.5-R	12.30	6.00	3.50	4.00
SU12.5-7-3.5-R	12.50	7.00	3.50	4.00
SU13-5-4-R	13.00	5.00	4.00	5.00
SU13-7-3.5-R	13.00	7.00	3.50	4.00

* Nominal Dimensions

Fluid **Power**

The Hydraulic Seal Specialists



SU-R

Metric **S**ingle Acting Rod or Piston **U**-Seal in **R**ubber

Part Number	*ØD1	*Ød1	H	*L1
SU13-8-7-R	13.00	8.00	7.00	8.00
SU13.4-8.8-4.2-R	13.40	8.80	4.20	5.20
SU14-5-4.5-R	14.00	5.00	4.50	5.50
SU14-6-4-R	14.00	6.00	4.00	5.00
SU14-7-3.5-R	14.00	7.00	3.50	4.00
SU14-7-7-R	14.00	7.00	7.00	8.00
SU14-8-3.2-R	14.00	8.00	3.20	3.70
SU14-8-4-R	14.00	8.00	4.00	5.00
SU14-8-6-R	14.00	8.00	6.00	7.50
SU14-9.5-2.4-R	14.00	9.50	2.40	2.90
SU14-10-3.5-R	14.00	10.00	3.50	4.00
SU15-5-5-R	15.00	5.00	5.00	6.00
SU15-6-5-R	15.00	6.00	5.00	6.00
SU15-7-4-R	15.00	7.00	4.00	5.00
SU15-7-5-R	15.00	7.00	5.00	6.00
SU15-7-7-R	15.00	7.00	7.00	8.00
SU15-7.3-6-R	15.00	7.30	6.00	7.00
SU15-8-6-R	15.00	8.00	6.00	7.50
SU15-8-8-R	15.00	8.00	8.00	9.00
SU15-10-3.5-R	15.00	10.00	3.50	4.00
SU15-10-4-R	15.00	10.00	4.00	5.00
SU15-10-5-R	15.00	10.00	5.00	6.00
SU15.5-11.5-2.5-R	15.50	11.50	2.50	3.00
SU16-6-5-R	16.00	6.00	5.00	5.50
SU16-6-6-R	16.00	6.00	6.00	7.00
SU16-6-8-R	16.00	6.00	8.00	9.00
SU16-8-4-R	16.00	8.00	4.00	5.00
SU16-8-6-R	16.00	8.00	6.00	7.50
SU16-8-8-R	16.00	8.00	8.00	9.50
SU16-9-4-R	16.00	9.00	4.00	5.00
SU16-9-7-R	16.00	9.00	7.00	8.00
SU16-10-4-R	16.00	10.00	4.00	5.00
SU16-10-5-R	16.00	10.00	5.00	6.00
SU16-10-6-R	16.00	10.00	6.00	7.00
SU16-12-3-R	16.00	12.00	3.00	3.50
SU16.3-6.3-8-R	16.30	6.30	8.00	9.00
SU17-5-9-R	17.00	5.00	9.00	10.00
SU17-6-6-R	17.00	6.00	6.00	7.50
SU17-8-6-R	17.00	8.00	6.00	7.00
SU17-9-4-R	17.00	9.00	4.00	5.00

293 * Nominal Dimensions

Fluid Power

The Hydraulic Seal Specialists

SU-R

Metric **S**ingle Acting Rod or Piston **U**-Seal in **R**ubber

Part Number	*ØD1	*Ød1	H	*L1
SU17-9-6-R	17.00	9.00	6.00	7.00
SU17-10-6-R	17.00	10.00	6.00	7.00
SU17.1-7.1-8-R	17.10	7.10	8.00	9.00
SU17.2-9.7-6-R	17.20	9.70	6.00	7.00
SU17.5-11.5-3-R	17.50	11.50	3.00	3.50
SU18-6-8-R	18.00	6.00	8.00	9.50
SU18-8-5-R	18.00	8.00	5.00	6.00
SU18-8-8-R	18.00	8.00	8.00	9.50
SU18-10-4-R	18.00	10.00	4.00	4.50
SU18-10-5-R	18.00	10.00	5.00	6.00
SU18-10-6-R	18.00	10.00	6.00	7.00
SU18-10-8-R	18.00	10.00	8.00	9.00
SU18-11.3-4-R	18.00	11.30	4.00	5.00
SU18-12-3-R	18.00	12.00	3.00	3.50
SU18-12-4-R	18.00	12.00	4.00	5.00
SU18-12-4.5-R	18.00	12.00	4.50	5.50
SU18-12-5-R	18.00	12.00	5.00	6.00
SU18-12-6-R	18.00	12.00	6.00	7.00
SU19-9-6-R	19.00	9.00	6.00	7.00
SU19-9-8-R	19.00	9.00	8.00	9.00
SU19-11-4-R	19.00	11.00	4.00	5.00
SU19-12-4.5-R	19.00	12.00	4.50	5.50
SU19-12-6-R	19.00	12.00	6.00	7.00
SU19-12.5-3.2-R	19.00	12.50	3.20	3.70
SU20-6-8-R	20.00	6.00	8.00	9.50
SU20-8-6-R	20.00	8.00	6.00	6.60
SU20-8-8-R	20.00	8.00	8.00	9.00
SU20-10-6.5-R	20.00	10.00	6.50	7.50
SU20-10-7-R	20.00	10.00	7.00	8.00
SU20-10-8-R	20.00	10.00	8.00	9.50
SU20-12-5-R	20.00	12.00	5.00	6.00
SU20-12-5.5-R	20.00	12.00	5.50	6.50
SU20-12-8-R	20.00	12.00	8.00	9.00
SU20-13-3-R	20.00	13.00	3.00	3.50
SU20-14-5-R	20.00	14.00	5.00	6.00
SU20-14-6-R	20.00	14.00	6.00	7.00
SU20-15-3-R	20.00	15.00	3.00	3.50
SU20-16-2.8-R	20.00	16.00	2.80	3.30
SU20.6-12.7-4-R	20.60	12.70	4.00	5.00
SU21-12-5-R	21.00	12.00	5.00	6.00

* Nominal Dimensions

Fluid **Power**

The Hydraulic Seal Specialists



SU-R

Metric **S**ingle Acting Rod or Piston **U**-Seal in **R**ubber

Part Number	*ØD1	*Ød1	H	*L1
SU21-15-3.5-R	21.00	15.00	3.50	4.00
SU21.2-11.2-8-R	21.20	11.20	8.00	9.00
SU22-6-8-R	22.00	6.00	8.00	9.00
SU22-8-8-R	22.00	8.00	8.00	9.00
SU22-8-10-R	22.00	8.00	10.00	11.00
SU22-10-6-R	22.00	10.00	6.00	7.50
SU22-10-8-R	22.00	10.00	8.00	9.00
SU22-10-9-R	22.00	10.00	9.00	10.00
SU22-11-6-R	22.00	11.00	6.00	7.00
SU22-12-5-R	22.00	12.00	5.00	5.50
SU22-12-6-R	22.00	12.00	6.00	7.50
SU22-12-7-R	22.00	12.00	7.00	8.00
SU22-12-8-R	22.00	12.00	8.00	9.00
SU22-14-4-R	22.00	14.00	4.00	5.00
SU22-14-4.5-R	22.00	14.00	4.50	5.50
SU22-14-5-R	22.00	14.00	5.00	6.50
SU22-14-6-R	22.00	14.00	6.00	7.00
SU22-14-8-R	22.00	14.00	8.00	9.00
SU22-14-12-R	22.00	14.00	12.00	13.00
SU22-15-4-R	22.00	15.00	4.00	5.00
SU22-16-3-R	22.00	16.00	3.00	3.50
SU22-16-4-R	22.00	16.00	4.00	5.00
SU22-16-5-R	22.00	16.00	5.00	6.00
SU22-16-6-R	22.00	16.00	6.00	7.50
SU22-16-10-R	22.00	16.00	10.00	11.00
SU22.5-12.5-8-R	22.50	12.50	8.00	9.00
SU23-13-5-R	23.00	13.00	5.00	5.50
SU23-15-14-R	23.00	15.00	14.00	15.00
SU23-16-6-R	23.00	16.00	6.00	7.00
SU23.8-11.6-12-R	23.80	11.60	12.00	13.00
SU23.8-13.6-12-R	23.80	13.60	12.00	13.00
SU24-12-6-R	24.00	12.00	6.00	7.50
SU24-12-10-R	24.00	12.00	10.00	11.00
SU24-13-6-R	24.00	13.00	6.00	7.00
SU24-14-5-R	24.00	14.00	5.00	5.50
SU24-14-6-R	24.00	14.00	6.00	7.50
SU24-14-8-R	24.00	14.00	8.00	9.50
SU24-15-7-R	24.00	15.00	7.00	8.00
SU24-16-4-R	24.00	16.00	4.00	4.50
SU24-16-5-R	24.00	16.00	5.00	6.50

295 * Nominal Dimensions

Fluid **Power**

The Hydraulic Seal Specialists

SU-RMetric **S**ingle Acting Rod or Piston **U**-Seal in **R**ubber

Part Number	*ØD1	*Ød1	H	*L1
SU24-16-6-R	24.00	16.00	6.00	7.00
SU24-18-4-R	24.00	18.00	4.00	4.50
SU24-18-5-R	24.00	18.00	5.00	6.00
SU24-18-8-R	24.00	18.00	8.00	9.00
SU25-8-5-R	25.00	8.00	5.00	6.00
SU25-8-6-R	25.00	8.00	6.00	7.50
SU25-10-6-R	25.00	10.00	6.00	7.00
SU25-10-7.5-R	25.00	10.00	7.50	8.30
SU25-10-8-R	25.00	10.00	8.00	9.00
SU25-10-10-R	25.00	10.00	10.00	11.50
SU25-12-8-R	25.00	12.00	8.00	9.00
SU25-13-6-R	25.00	13.00	6.00	6.60
SU25-14-6-R	25.00	14.00	6.00	7.00
SU25-15-5-R	25.00	15.00	5.00	6.50
SU25-15-6-R	25.00	15.00	6.00	7.50
SU25-15-8-R	25.00	15.00	8.00	9.50
SU25-15-10-R	25.00	15.00	10.00	11.00
SU25-16-5-R	25.00	16.00	5.00	6.00
SU25-16-8-R	25.00	16.00	8.00	9.00
SU25-17-4-R	25.00	17.00	4.00	4.50
SU25-18-4-R	25.00	18.00	4.00	5.00
SU25-18-5-R	25.00	18.00	5.00	6.00
SU25-18-5.5-R	25.00	18.00	5.50	6.50
SU25-19-6-R	25.00	19.00	6.00	7.00
SU25-20-3-R	25.00	20.00	3.00	3.50
SU25-20-3.5-R	25.00	20.00	3.50	4.00
SU25-20-5-R	25.00	20.00	5.00	6.00
SU25.4-19-3.2-R	25.40	19.00	3.20	3.70
SU26-10-8-R	26.00	10.00	8.00	9.50
SU26-10-9.5-R	26.00	10.00	9.50	10.50
SU26-12-8-R	26.00	12.00	8.00	9.00
SU26-12-10-R	26.00	12.00	10.00	11.00
SU26-14-6-R	26.00	14.00	6.00	6.60
SU26-16-5-R	26.00	16.00	5.00	5.50
SU26-16-6-R	26.00	16.00	6.00	7.50
SU26-16-8-R	26.00	16.00	8.00	9.50
SU26-18-5-R	26.00	18.00	5.00	6.50
SU26-19-4-R	26.00	19.00	4.00	4.50
SU26-19-5-R	26.00	19.00	5.00	6.00
SU26-20-6-R	26.00	20.00	6.00	7.00

* Nominal Dimensions

Fluid Power

The Hydraulic Seal Specialists



SU-R

Metric **S**ingle Acting Rod or Piston **U**-Seal in **R**ubber

Part Number	*ØD1	*Ød1	H	*L1
SU26.6-15.6-12-R	26.60	15.60	12.00	13.00
SU27-15-6-R	27.00	15.00	6.00	6.60
SU27-17-8-R	27.00	17.00	8.00	9.00
SU27-20-6-R	27.00	20.00	6.00	7.00
SU28-10-8-R	28.00	10.00	8.00	9.00
SU28-10-8.5-R	28.00	10.00	8.50	9.50
SU28-10-10-R	28.00	10.00	10.00	11.00
SU28-12-10-R	28.00	12.00	10.00	11.50
SU28-14-10-R	28.00	14.00	10.00	11.50
SU28-15-8-R	28.00	15.00	8.00	9.00
SU28-15-10-R	28.00	15.00	10.00	11.00
SU28-16-6-R	28.00	16.00	6.00	6.60
SU28-18-5-R	28.00	18.00	5.00	5.50
SU28-18-6-R	28.00	18.00	6.00	7.50
SU28-18-6.5-R	28.00	18.00	6.50	7.50
SU28-18-7-R	28.00	18.00	7.00	8.00
SU28-18-8-R	28.00	18.00	8.00	9.50
SU28-18.5-6.4-R	28.00	18.50	6.40	7.40
SU28-19.5-5.5-R	28.00	19.50	5.50	6.50
SU28-20-4-R	28.00	20.00	4.00	5.00
SU28-20-5-R	28.00	20.00	5.00	6.00
SU28-20-6-R	28.00	20.00	6.00	7.50
SU28-20.8-4-R	28.00	20.80	4.00	5.00
SU28-22-5-R	28.00	22.00	5.00	6.00
SU28-22-8-R	28.00	22.00	8.00	9.00
SU28.3-23-3.5-R	28.30	23.00	3.50	4.00
SU29-16-6-R	29.00	16.00	6.00	7.00
SU29-18-7-R	29.00	18.00	7.00	8.00
SU30-10-10-R	30.00	10.00	10.00	11.50
SU30-12-9-R	30.00	12.00	9.00	10.00
SU30-13-10-R	30.00	13.00	10.00	11.50
SU30-14-8-R	30.00	14.00	8.00	9.00
SU30-15-6-R	30.00	15.00	6.00	7.00
SU30-15-7.5-R	30.00	15.00	7.50	8.30
SU30-15-8-R	30.00	15.00	8.00	9.50
SU30-15-10-R	30.00	15.00	10.00	11.50
SU30-16-6-R	30.00	16.00	6.00	7.00
SU30-18-6-R	30.00	18.00	6.00	7.50
SU30-18-7.5-R	30.00	18.00	7.50	8.50
SU30-18-8.5-R	30.00	18.00	8.50	9.50

Fluid Power

The Hydraulic Seal Specialists

SU-R

Metric **S**ingle Acting Rod or Piston **U**-Seal in **R**ubber

Part Number	*ØD1	*Ød1	H	*L1
SU30-18-10-R	30.00	18.00	10.00	11.50
SU30-20-4-R	30.00	20.00	4.00	5.00
SU30-20-5-R	30.00	20.00	5.00	6.00
SU30-20-6-R	30.00	20.00	6.00	7.50
SU30-20-8-R	30.00	20.00	8.00	9.50
SU30-20-10-R	30.00	20.00	10.00	11.50
SU30-22-4-R	30.00	22.00	4.00	4.50
SU30-22-4.5-R	30.00	22.00	4.50	5.50
SU30-22-5-R	30.00	22.00	5.00	6.00
SU30-22-6-R	30.00	22.00	6.00	7.50
SU30-22-7.5-R	30.00	22.00	7.50	8.50
SU30-22.4-5-R	30.00	22.40	5.00	6.50
SU30-24-5-R	30.00	24.00	5.00	6.00
SU31-24-5-R	31.00	24.00	5.00	6.00
SU31-25.5-4.5-R	31.00	25.50	4.50	5.50
SU31.5-23.5-5-R	31.50	23.50	5.00	6.50
SU32-10-10-R	32.00	10.00	10.00	11.00
SU32-12-10-R	32.00	12.00	10.00	11.00
SU32-14-8-R	32.00	14.00	8.00	9.00
SU32-14-10-R	32.00	14.00	10.00	11.50
SU32-16-8-R	32.00	16.00	8.00	9.50
SU32-16-10-R	32.00	16.00	10.00	11.00
SU32-16-11-R	32.00	16.00	11.00	12.00
SU32-17-10-R	32.00	17.00	10.00	11.00
SU32-18-7-R	32.00	18.00	7.00	8.00
SU32-20-5-R	32.00	20.00	5.00	6.00
SU32-20-6-R	32.00	20.00	6.00	6.60
SU32-20-7.5-R	32.00	20.00	7.50	8.50
SU32-22-5-R	32.00	22.00	5.00	5.50
SU32-22-6-R	32.00	22.00	6.00	7.50
SU32-22-7-R	32.00	22.00	7.00	8.00
SU32-22-8-R	32.00	22.00	8.00	9.50
SU32-23-5-R	32.00	23.00	5.00	6.00
SU32-24-4-R	32.00	24.00	4.00	4.50
SU32-25-4-R	32.00	25.00	4.00	4.50
SU32-25-7-R	32.00	25.00	7.00	8.00
SU32.4-22.4-8-R	32.40	22.40	8.00	9.00
SU33-20-6-R	33.00	20.00	6.00	7.00
SU33-21-6-R	33.00	21.00	6.00	6.60
SU33-23-5-R	33.00	23.00	5.00	5.50

* Nominal Dimensions

Fluid Power

The Hydraulic Seal Specialists



SU-R

Metric **S**ingle Acting Rod or Piston **U**-Seal in **R**ubber

Part Number	*ØD1	*Ød1	H	*L1
SU33-25-4-R	33.00	25.00	4.00	4.50
SU33-25-5-R	33.00	25.00	5.00	5.50
SU33-25-6.2-R	33.00	25.00	6.20	7.20
SU33-25-7-R	33.00	25.00	7.00	8.00
SU34-12-10-R	34.00	12.00	10.00	11.00
SU34-18-8-R	34.00	18.00	8.00	9.50
SU34-19-8-R	34.00	19.00	8.00	9.00
SU34-22-6-R	34.00	22.00	6.00	6.60
SU34-22-10-R	34.00	22.00	10.00	11.50
SU34-22-13-R	34.00	22.00	13.00	14.00
SU34-24-5-R	34.00	24.00	5.00	6.50
SU34-26-4-R	34.00	26.00	4.00	4.50
SU35-12-12-R	35.00	12.00	12.00	13.50
SU35-15-10-R	35.00	15.00	10.00	11.50
SU35-18-8-R	35.00	18.00	8.00	9.00
SU35-18-8.5-R	35.00	18.00	8.50	9.50
SU35-18-12-R	35.00	18.00	12.00	13.00
SU35-20-7.5-R	35.00	20.00	7.50	8.30
SU35-20-10-R	35.00	20.00	10.00	11.50
SU35-22-5-R	35.00	22.00	5.00	6.00
SU35-22-7-R	35.00	22.00	7.00	8.50
SU35-22-9-R	35.00	22.00	9.00	10.00
SU35-22-10-R	35.00	22.00	10.00	11.00
SU35-23-6-R	35.00	23.00	6.00	6.60
SU35-23-10-R	35.00	23.00	10.00	11.00
SU35-25-5-R	35.00	25.00	5.00	5.50
SU35-25-6-R	35.00	25.00	6.00	7.50
SU35-25-7-R	35.00	25.00	7.00	8.50
SU35-25-8-R	35.00	25.00	8.00	9.50
SU35-25-10-R	35.00	25.00	10.00	11.00
SU35-27-4-R	35.00	27.00	4.00	4.50
SU35-28-6-R	35.00	28.00	6.00	7.00
SU35.5-28-5-R	35.50	28.00	5.00	6.50
SU36-16-10-R	36.00	16.00	10.00	11.50
SU36-20-8-R	36.00	20.00	8.00	9.50
SU36-20-10-R	36.00	20.00	10.00	11.00
SU36-22-8-R	36.00	22.00	8.00	9.00
SU36-24-6-R	36.00	24.00	6.00	6.60
SU36-26-5-R	36.00	26.00	5.00	5.50
SU36-27-6-R	36.00	27.00	6.00	7.00

299 * Nominal Dimensions

Fluid Power

The Hydraulic Seal Specialists

SU-R

Metric **S**ingle Acting Rod or Piston **U**-Seal in **R**ubber

Part Number	*ØD1	*Ød1	H	*L1
SU36-28-4-R	36.00	28.00	4.00	4.50
SU36-28-4.3-R	36.00	28.00	4.30	5.30
SU36-28-5-R	36.00	28.00	5.00	6.00
SU36-28-6-R	36.00	28.00	6.00	7.00
SU36.5-28.6-4-R	36.50	28.60	4.00	4.50
SU37-24-6-R	37.00	24.00	6.00	7.00
SU37-25-6-R	37.00	25.00	6.00	6.60
SU37-25-6.5-R	37.00	25.00	6.50	7.50
SU37-25-7-R	37.00	25.00	7.00	8.00
SU37-29-4-R	37.00	29.00	4.00	4.50
SU37-30-8-R	37.00	30.00	8.00	9.00
SU38-17-10-R	38.00	17.00	10.00	11.50
SU38-18-10-R	38.00	18.00	10.00	11.50
SU38-20-8.5-R	38.00	20.00	8.50	9.50
SU38-22-7-R	38.00	22.00	7.00	8.00
SU38-22-8-R	38.00	22.00	8.00	9.00
SU38-22-10-R	38.00	22.00	10.00	11.50
SU38-25-7-R	38.00	25.00	7.00	8.00
SU38-25-8-R	38.00	25.00	8.00	9.50
SU38-25-10-R	38.00	25.00	10.00	11.00
SU38-26-6-R	38.00	26.00	6.00	6.60
SU38-27-6-R	38.00	27.00	6.00	7.00
SU38-28-5-R	38.00	28.00	5.00	5.50
SU38-28-8-R	38.00	28.00	8.00	9.00
SU38-30-4-R	38.00	30.00	4.00	4.50
SU38-30-5.5-R	38.00	30.00	5.50	6.50
SU38.1-30.1-4-R	38.10	30.10	4.00	4.50
SU40-12-10-R	40.00	12.00	10.00	11.00
SU40-16-12-R	40.00	16.00	12.00	13.00
SU40-18-10-R	40.00	18.00	10.00	11.50
SU40-20-10-R	40.00	20.00	10.00	11.50
SU40-20-12-R	40.00	20.00	12.00	12.00
SU40-22-10-R	40.00	22.00	10.00	11.00
SU40-24-8-R	40.00	24.00	8.00	9.00
SU40-24-10-R	40.00	24.00	10.00	11.00
SU40-25-6-R	40.00	25.00	6.00	7.50
SU40-25-7.5-R	40.00	25.00	7.50	8.30
SU40-25-10-R	40.00	25.00	10.00	11.50
SU40-25-11-R	40.00	25.00	11.00	12.00
SU40-28-6-R	40.00	28.00	6.00	6.60

* Nominal Dimensions

Fluid Power

The Hydraulic Seal Specialists



SU-R

Metric **S**ingle Acting Rod or Piston **U**-Seal in **R**ubber

Part Number	*ØD1	*Ød1	H	*L1
SU40-28-7-R	40.00	28.00	7.00	8.00
SU40-28-10-R	40.00	28.00	10.00	11.00
SU40-30-5-R	40.00	30.00	5.00	6.50
SU40-30-6-R	40.00	30.00	6.00	7.00
SU40-30-7-R	40.00	30.00	7.00	7.50
SU40-30-9-R	40.00	30.00	9.00	10.00
SU40-30-10-R	40.00	30.00	10.00	11.00
SU40-32-4-R	40.00	32.00	4.00	4.50
SU40-32-5-R	40.00	32.00	5.00	6.00
SU40-32-5.7-R	40.00	32.00	5.70	6.70
SU40-32-7-R	40.00	32.00	7.00	8.00
SU40-32-7.5-R	40.00	32.00	7.50	8.50
SU40-32-8-R	40.00	32.00	8.00	9.00
SU40-33-8-R	40.00	33.00	8.00	9.00
SU41-30-8-R	41.00	30.00	8.00	9.00
SU41.5-31.5-6-R	41.50	31.50	6.00	7.50
SU42-22-10-R	42.00	22.00	10.00	11.50
SU42-25-8-R	42.00	25.00	8.00	9.50
SU42-25-8.5-R	42.00	25.00	8.50	9.50
SU42-26-8-R	42.00	26.00	8.00	9.00
SU42-30-6-R	42.00	30.00	6.00	6.60
SU42-30-10-R	42.00	30.00	10.00	11.50
SU42-32-5-R	42.00	32.00	5.00	5.50
SU42-32-6-R	42.00	32.00	6.00	7.50
SU43-20-12-R	43.00	20.00	12.00	13.50
SU43-23-10-R	43.00	23.00	10.00	11.00
SU43-26-10-R	43.00	26.00	10.00	11.00
SU43-27-8-R	43.00	27.00	8.00	9.00
SU43-28-10-R	43.00	28.00	10.00	11.00
SU43-33-5-R	43.00	33.00	5.00	5.50
SU43-33-6-R	43.00	33.00	6.00	7.00
SU43-35-4-R	43.00	35.00	4.00	4.50
SU43-35-6-R	43.00	35.00	6.00	7.00
SU44-24-10-R	44.00	24.00	10.00	11.00
SU44-28-8-R	44.00	28.00	8.00	9.00
SU44-30-7-R	44.00	30.00	7.00	8.00
SU44-32-6-R	44.00	32.00	6.00	6.60
SU44-32-10-R	44.00	32.00	10.00	11.00
SU44-34-5-R	44.00	34.00	5.00	5.50
SU44.5-31.5-10-R	44.50	31.50	10.00	11.00

301 * Nominal Dimensions

Fluid **Power**

The Hydraulic Seal Specialists

SU-RMetric **S**ingle Acting Rod or Piston **U**-Seal in **R**ubber

Part Number	*ØD1	*Ød1	H	*L1
SU45-20-12-R	45.00	20.00	12.00	13.00
SU45-25-10-R	45.00	25.00	10.00	11.00
SU45-29-8-R	45.00	29.00	8.00	9.00
SU45-30-7.5-R	45.00	30.00	7.50	8.30
SU45-30-8-R	45.00	30.00	8.00	9.00
SU45-30-10-R	45.00	30.00	10.00	11.00
SU45-32-6.5-R	45.00	32.00	6.50	8.00
SU45-32-10-R	45.00	32.00	10.00	11.00
SU45-33-6-R	45.00	33.00	6.00	6.60
SU45-35-5-R	45.00	35.00	5.00	5.50
SU45-35-6-R	45.00	35.00	6.00	7.50
SU45-35-8-R	45.00	35.00	8.00	9.00
SU45-35-10-R	45.00	35.00	10.00	11.00
SU45-35.5-6-R	45.00	35.50	6.00	7.50
SU45-36-6-R	45.00	36.00	6.00	7.00
SU45-39-4-R	45.00	39.00	4.00	4.50
SU45.2-38.2-4-R	45.20	38.20	4.00	5.00
SU46-22-12-R	46.00	22.00	12.00	13.00
SU46-26-10-R	46.00	26.00	10.00	11.00
SU46-28-10-R	46.00	28.00	10.00	11.00
SU46-36-5-R	46.00	36.00	5.00	5.50
SU46-36-6-R	46.00	36.00	6.00	7.50
SU46-36-7-R	46.00	36.00	7.00	8.00
SU47-25-10-R	47.00	25.00	10.00	11.00
SU47-32-10-R	47.00	32.00	10.00	11.00
SU47-35-6-R	47.00	35.00	6.00	6.60
SU48-28-10-R	48.00	28.00	10.00	11.00
SU48-28-12-R	48.00	28.00	12.00	13.00
SU48-30-9-R	48.00	30.00	9.00	10.00
SU48-32-8-R	48.00	32.00	8.00	9.00
SU48-36-6-R	48.00	36.00	6.00	6.60
SU48-36-12-R	48.00	36.00	12.00	13.00
SU48-38-5-R	48.00	38.00	5.00	5.50
SU50-24-12-R	50.00	24.00	12.00	13.00
SU50-25-12-R	50.00	25.00	12.00	13.00
SU50-26-12-R	50.00	26.00	12.00	13.00
SU50-30-10-R	50.00	30.00	10.00	11.00
SU50-30-12-R	50.00	30.00	12.00	13.00
SU50-32-10-R	50.00	32.00	10.00	11.00
SU50-32-12-R	50.00	32.00	12.00	13.00

* Nominal Dimensions

Fluid Power

The Hydraulic Seal Specialists



SU-R

Metric **S**ingle Acting Rod or Piston **U**-Seal in **R**ubber

Part Number	*ØD1	*Ød1	H	*L1
SU50-35-7.5-R	50.00	35.00	7.50	8.30
SU50-35-8-R	50.00	35.00	8.00	9.00
SU50-35-10-R	50.00	35.00	10.00	11.00
SU50-36-7-R	50.00	36.00	7.00	8.00
SU50-36-8-R	50.00	36.00	8.00	9.00
SU50-38-6-R	50.00	38.00	6.00	7.50
SU50-38-7-R	50.00	38.00	7.00	8.50
SU50-38-10-R	50.00	38.00	10.00	11.00
SU50-40-5-R	50.00	40.00	5.00	5.50
SU50-40-6-R	50.00	40.00	6.00	7.50
SU50-40-7-R	50.00	40.00	7.00	8.50
SU50-40-8-R	50.00	40.00	8.00	9.00
SU50-40-9-R	50.00	40.00	9.00	10.00
SU50-40-10-R	50.00	40.00	10.00	11.00
SU50-42-5-R	50.00	42.00	5.00	6.00
SU50-42-6-R	50.00	42.00	6.00	7.50
SU50-42-8-R	50.00	42.00	8.00	9.00
SU50.5-35.5-10-R	50.50	35.50	10.00	11.00
SU51-35-8-R	51.00	35.00	8.00	9.00
SU51-36-7.1-R	51.00	36.00	7.10	8.10
SU51-36-10-R	51.00	36.00	10.00	11.00
SU51-42-11-R	51.00	42.00	11.00	12.00
SU52-25-12-R	52.00	25.00	12.00	13.00
SU52-30-10-R	52.00	30.00	10.00	11.00
SU52-32-10-R	52.00	32.00	10.00	11.00
SU52-35-12-R	52.00	35.00	12.00	13.00
SU52-40-6-R	52.00	40.00	6.00	6.60
SU52-40-8-R	52.00	40.00	8.00	9.00
SU52-40-12-R	52.00	40.00	12.00	13.00
SU52-42-5-R	52.00	42.00	5.00	5.50
SU52-42-10-R	52.00	42.00	10.00	11.00
SU52-45-8-R	52.00	45.00	8.00	9.50
SU52.5-38-9.5-R	52.50	38.00	9.50	10.50
SU53-38-10-R	53.00	38.00	10.00	11.00
SU53-40-8-R	53.00	40.00	8.00	9.50
SU53-40-9-R	53.00	40.00	9.00	10.00
SU53-45-8-R	53.00	45.00	8.00	9.00
SU54-30-12-R	54.00	30.00	12.00	13.00
SU54-34-15-R	54.00	34.00	15.00	16.00
SU54-42-6-R	54.00	42.00	6.00	6.60

303 * Nominal Dimensions

Fluid Power

The Hydraulic Seal Specialists

SU-R

Metric **S**ingle Acting Rod or Piston **U**-Seal in **R**ubber

Part Number	*ØD1	*Ød1	H	*L1
SU54-42-12-R	54.00	42.00	12.00	13.00
SU54-44-5-R	54.00	44.00	5.00	5.50
SU55-30-12-R	55.00	30.00	12.00	13.00
SU55-30-15-R	55.00	30.00	15.00	16.00
SU55-35-10-R	55.00	35.00	10.00	11.00
SU55-35-12-R	55.00	35.00	12.00	13.00
SU55-36-10-R	55.00	36.00	10.00	11.00
SU55-38-10-R	55.00	38.00	10.00	11.00
SU55-40-7.5-R	55.00	40.00	7.50	8.30
SU55-40-9.5-R	55.00	40.00	9.50	10.50
SU55-40-10-R	55.00	40.00	10.00	11.00
SU55-42-6.5-R	55.00	42.00	6.50	7.50
SU55-42-8-R	55.00	42.00	8.00	9.00
SU55-43-6-R	55.00	43.00	6.00	6.60
SU55-44-6-R	55.00	44.00	6.00	7.00
SU55-45-5-R	55.00	45.00	5.00	5.50
SU55-45-6-R	55.00	45.00	6.00	7.50
SU55-45-10-R	55.00	45.00	10.00	11.00
SU56-35-10-R	56.00	35.00	10.00	11.00
SU56-36-10-R	56.00	36.00	10.00	11.00
SU56-40-8-R	56.00	40.00	8.00	9.50
SU56-40-10-R	56.00	40.00	10.00	11.00
SU56-44-6-R	56.00	44.00	6.00	6.60
SU56-45-7-R	56.00	45.00	7.00	8.00
SU56-46-5-R	56.00	46.00	5.00	5.50
SU56-46-10-R	56.00	46.00	10.00	11.00
SU56-50-8-R	56.00	50.00	8.00	9.00
SU57-35-10-R	57.00	35.00	10.00	11.00
SU57-42-8-R	57.00	42.00	8.00	9.00
SU57-42-10-R	57.00	42.00	10.00	11.00
SU57-44-9-R	57.00	44.00	9.00	10.00
SU57-45-6-R	57.00	45.00	6.00	6.60
SU57-50-10-R	57.00	50.00	10.00	11.00
SU58-38-10-R	58.00	38.00	10.00	11.00
SU58-38-12-R	58.00	38.00	12.00	13.00
SU58-45-6.5-R	58.00	45.00	6.50	7.50
SU58-45-10-R	58.00	45.00	10.00	11.00
SU58-46-6-R	58.00	46.00	6.00	6.60
SU58-50-8-R	58.00	50.00	8.00	9.00
SU60-30-15-R	60.00	30.00	15.00	16.50

* Nominal Dimensions

Fluid Power

The Hydraulic Seal Specialists



SU-R

Metric **S**ingle Acting Rod or Piston **U**-Seal in **R**ubber

Part Number	*ØD1	*Ød1	H	*L1
SU60-35-12-R	60.00	35.00	12.00	13.00
SU60-38-12-R	60.00	38.00	12.00	13.00
SU60-40-10-R	60.00	40.00	10.00	11.00
SU60-40-12-R	60.00	40.00	12.00	13.00
SU60-40-15-R	60.00	40.00	15.00	16.00
SU60-42-9-R	60.00	42.00	9.00	10.00
SU60-45-7.5-R	60.00	45.00	7.50	8.30
SU60-45-10-R	60.00	45.00	10.00	11.00
SU60-48-6-R	60.00	48.00	6.00	6.60
SU60-48-9-R	60.00	48.00	9.00	10.00
SU60-50-5-R	60.00	50.00	5.00	5.50
SU60-50-6-R	60.00	50.00	6.00	7.50
SU60-50-7-R	60.00	50.00	7.00	8.00
SU60-50-8-R	60.00	50.00	8.00	9.00
SU60-50-10-R	60.00	50.00	10.00	11.00
SU60-50-12-R	60.00	50.00	12.00	13.00
SU62-42-10-R	62.00	42.00	10.00	11.00
SU62-42-12-R	62.00	42.00	12.00	13.00
SU62-50-6-R	62.00	50.00	6.00	6.60
SU62-50-9-R	62.00	50.00	9.00	10.00
SU62-50-10-R	62.00	50.00	10.00	11.00
SU62-50-12-R	62.00	50.00	12.00	13.00
SU62-52-6-R	62.00	52.00	6.00	7.00
SU63-43-10-R	63.00	43.00	10.00	11.00
SU63-45-10-R	63.00	45.00	10.00	11.00
SU63-45-12-R	63.00	45.00	12.00	13.00
SU63-48-7.5-R	63.00	48.00	7.50	8.50
SU63-48-10-R	63.00	48.00	10.00	11.00
SU63-48-12-R	63.00	48.00	12.00	13.00
SU63-50-6-R	63.00	50.00	6.00	7.00
SU63-50-8-R	63.00	50.00	8.00	9.50
SU63-50-9-R	63.00	50.00	9.00	10.00
SU63-51-6-R	63.00	51.00	6.00	6.60
SU63-53-5-R	63.00	53.00	5.00	5.50
SU63-53-6-R	63.00	53.00	6.00	7.50
SU63-53-7.5-R	63.00	53.00	7.50	8.50
SU63-53-12-R	63.00	53.00	12.00	13.00
SU64-44-10-R	64.00	44.00	10.00	11.00
SU64-52-6-R	64.00	52.00	6.00	6.60
SU64-53-5-R	64.00	53.00	5.00	6.00

305 * Nominal Dimensions

Fluid Power

The Hydraulic Seal Specialists

SU-R

Metric **S**ingle Acting Rod or Piston **U**-Seal in **R**ubber

Part Number	*ØD1	*Ød1	H	*L1
SU65-40-10-R	65.00	40.00	10.00	11.00
SU65-40-12-R	65.00	40.00	12.00	13.00
SU65-40-15-R	65.00	40.00	15.00	16.00
SU65-45-10-R	65.00	45.00	10.00	11.00
SU65-45-12-R	65.00	45.00	12.00	13.00
SU65-45-13-R	65.00	45.00	13.00	14.00
SU65-47-12-R	65.00	47.00	12.00	13.00
SU65-48-10-R	65.00	48.00	10.00	11.00
SU65-49-8-R	65.00	49.00	8.00	9.00
SU65-50-7.5-R	65.00	50.00	7.50	8.30
SU65-50-10-R	65.00	50.00	10.00	11.00
SU65-50-12-R	65.00	50.00	12.00	13.00
SU65-53-6-R	65.00	53.00	6.00	6.60
SU65-53-10-R	65.00	53.00	10.00	11.00
SU65-55-5-R	65.00	55.00	5.00	5.50
SU65-55-6-R	65.00	55.00	6.00	7.00
SU65-55-12-R	65.00	55.00	12.00	13.00
SU66-54-6-R	66.00	54.00	6.00	6.60
SU66-56-5-R	66.00	56.00	5.00	5.50
SU66-56-6-R	66.00	56.00	6.00	7.00
SU66-58-7.7-R	66.00	58.00	7.70	8.70
SU67-55-6-R	67.00	55.00	6.00	6.60
SU68-48-10-R	68.00	48.00	10.00	11.00
SU68-48-12-R	68.00	48.00	12.00	13.00
SU68-50-12-R	68.00	50.00	12.00	13.00
SU68-55-6.5-R	68.00	55.00	6.50	7.50
SU68-60-8-R	68.00	60.00	8.00	9.00
SU70-40-15-R	70.00	40.00	15.00	16.00
SU70-45-12-R	70.00	45.00	12.00	13.00
SU70-46-12-R	70.00	46.00	12.00	13.00
SU70-48-10-R	70.00	48.00	10.00	11.00
SU70-50-8-R	70.00	50.00	8.00	9.00
SU70-50-10-R	70.00	50.00	10.00	11.00
SU70-50-12-R	70.00	50.00	12.00	13.00
SU70-55-7.5-R	70.00	55.00	7.50	8.50
SU70-55-10-R	70.00	55.00	10.00	11.00
SU70-55-12-R	70.00	55.00	12.00	13.00
SU70-56-12-R	70.00	56.00	12.00	13.00
SU70-58-6-R	70.00	58.00	6.00	6.60
SU70-60-5-R	70.00	60.00	5.00	5.50

* Nominal Dimensions

Fluid Power

The Hydraulic Seal Specialists



SU-R

Metric **S**ingle Acting Rod or Piston **U**-Seal in **R**ubber

Part Number	*ØD1	*Ød1	H	*L1
SU70-60-6-R	70.00	60.00	6.00	7.00
SU70-60-7-R	70.00	60.00	7.00	8.00
SU70-60-12-R	70.00	60.00	12.00	13.00
SU70-60-13-R	70.00	60.00	13.00	14.00
SU71-56-10-R	71.00	56.00	10.00	11.00
SU71-60-7-R	71.00	60.00	7.00	8.00
SU72-48-12-R	72.00	48.00	12.00	13.00
SU72-50-12-R	72.00	50.00	12.00	13.00
SU72-52-10-R	72.00	52.00	10.00	11.00
SU72-52-12-R	72.00	52.00	12.00	13.00
SU72-60-12-R	72.00	60.00	12.00	13.00
SU72-63-6-P	72.00	63.00	6.00	7.00
SU73-53-12-R	73.00	53.00	12.00	13.00
SU73-61-6-R	73.00	61.00	6.00	7.00
SU73-63-5-R	73.00	63.00	5.00	5.50
SU73-63-6-R	73.00	63.00	6.00	7.00
SU74-50-12-R	74.00	50.00	12.00	13.00
SU74-60-7-R	74.00	60.00	7.00	8.00
SU74.5-64.5-8-R	74.50	64.50	8.00	9.00
SU75-50-15-R	75.00	50.00	15.00	16.00
SU75-53-15-R	75.00	53.00	15.00	16.00
SU75-55-10-R	75.00	55.00	10.00	11.00
SU75-55-12-R	75.00	55.00	12.00	13.00
SU75-60-7.5-R	75.00	60.00	7.50	9.00
SU75-60-12-R	75.00	60.00	12.00	13.00
SU75-65-5-R	75.00	65.00	5.00	5.50
SU75-65-6-R	75.00	65.00	6.00	7.00
SU75-65-10-R	75.00	65.00	10.00	11.00
SU76-56-12-R	76.00	56.00	12.00	13.00
SU76-66-10-R	76.00	66.00	10.00	11.00
SU77-66-6-R	77.00	66.00	6.00	7.00
SU77-67-6-R	77.00	67.00	6.00	7.00
SU78-58-12-R	78.00	58.00	12.00	13.00
SU78-62-8-R	78.00	62.00	8.00	9.00
SU78-68-10-R	78.00	68.00	10.00	11.00
SU80-40-20-R	80.00	40.00	20.00	21.00
SU80-50-15-R	80.00	50.00	15.00	16.00
SU80-55-12-R	80.00	55.00	12.00	13.00
SU80-55-15-R	80.00	55.00	15.00	16.00
SU80-56-15-R	80.00	56.00	15.00	16.00

307 * Nominal Dimensions

Fluid Power

The Hydraulic Seal Specialists

SU-R

Metric **S**ingle Acting Rod or Piston **U**-Seal in **R**ubber



Part Number	*ØD1	*Ød1	H	*L1
SU80-59-14-R	80.00	59.00	14.00	15.00
SU80-60-10-R	80.00	60.00	10.00	11.00
SU80-60-12-R	80.00	60.00	12.00	13.00
SU80-60-15-R	80.00	60.00	15.00	16.00
SU80-60-16-R	80.00	60.00	16.00	17.00
SU80-61-12-R	80.00	61.00	12.00	13.00
SU80-64-8-R	80.00	64.00	8.00	9.00
SU80-64-12-R	80.00	64.00	12.00	13.00
SU80-65-7.5-R	80.00	65.00	7.50	8.30
SU80-65-9-R	80.00	65.00	9.00	10.00
SU80-65-12-R	80.00	65.00	12.00	13.00
SU80-68-12-R	80.00	68.00	12.00	13.00
SU80-70-5-R	80.00	70.00	5.00	5.50
SU80-70-6-R	80.00	70.00	6.00	7.00
SU80-70-7-R	80.00	70.00	7.00	8.00
SU80-70-12-R	80.00	70.00	12.00	13.00
SU80-71-6-R	80.00	71.00	6.00	7.00
SU80-72-10-R	80.00	72.00	10.00	11.00
SU80-74-8-R	80.00	74.00	8.00	9.00
SU81-70-15-R	81.00	70.00	15.00	16.00
SU82-62-10-R	82.00	62.00	10.00	11.00
SU82-70-12-R	82.00	70.00	12.00	13.00
SU82-72-5-R	82.00	72.00	5.00	6.00
SU83-63-12-R	83.00	63.00	12.00	13.00
SU83-63-15-R	83.00	63.00	15.00	16.00
SU83-75-12-R	83.00	75.00	12.00	13.00
SU84-60-12-R	84.00	60.00	12.00	13.00
SU84-72-6-R	84.00	72.00	6.00	7.00
SU85-55-15-R	85.00	55.00	15.00	16.00
SU85-60-12-R	85.00	60.00	12.00	13.00
SU85-60-15-R	85.00	60.00	15.00	16.00
SU85-65-10-R	85.00	65.00	10.00	11.00
SU85-65-12-R	85.00	65.00	12.00	13.00
SU85-65-18-R	85.00	65.00	18.00	19.00
SU85-70-7.5-R	85.00	70.00	7.50	8.30
SU85-70-8-R	85.00	70.00	8.00	9.00
SU85-70-12-R	85.00	70.00	12.00	13.00
SU85-75-5-R	85.00	75.00	5.00	5.50
SU85-75-6-R	85.00	75.00	6.00	7.00
SU85-75-12-R	85.00	75.00	12.00	13.00

* Nominal Dimensions

Fluid **Power**

The Hydraulic Seal Specialists

**SU-R**Metric **S**ingle Acting Rod or Piston **U**-Seal in **R**ubber

Part Number	*ØD1	*Ød1	H	*L1
SU85-77-7.7-R	85.00	77.00	7.70	8.70
SU86-62-12-R	86.00	62.00	12.00	13.00
SU86-74-12-R	86.00	74.00	12.00	13.00
SU86-78-8-R	86.00	78.00	8.00	9.00
SU87-67-12-R	87.00	67.00	12.00	13.00
SU88-62-12-R	88.00	62.00	12.00	13.00
SU88-78-5-R	88.00	78.00	5.00	6.00
SU89.5-75-15-R	89.50	75.00	15.00	16.00
SU90-60-15-R	90.00	60.00	15.00	16.00
SU90-65-8-R	90.00	65.00	8.00	9.00
SU90-65-13-R	90.00	65.00	13.00	14.00
SU90-65-15-R	90.00	65.00	15.00	16.00
SU90-70-10-R	90.00	70.00	10.00	11.00
SU90-70-12-R	90.00	70.00	12.00	13.00
SU90-70-18-R	90.00	70.00	18.00	19.00
SU90-72-10-R	90.00	72.00	10.00	11.00
SU90-72-11-R	90.00	72.00	11.00	12.00
SU90-75-7.5-R	90.00	75.00	7.50	8.30
SU90-75-12-R	90.00	75.00	12.00	13.00
SU90-75-15-R	90.00	75.00	15.00	16.00
SU90-78-12-R	90.00	78.00	12.00	13.00
SU90-80-5-R	90.00	80.00	5.00	5.50
SU90-80-6-R	90.00	80.00	6.00	7.00
SU90-80-7-R	90.00	80.00	7.00	8.00
SU91-71-12-R	91.00	71.00	12.00	13.00
SU92-82-10-R	92.00	82.00	10.00	11.00
SU93-63-15-R	93.00	63.00	15.00	16.00
SU93-80-8-R	93.00	80.00	8.00	9.00
SU95-65-12-R	95.00	65.00	12.00	13.00
SU95-70-12-R	95.00	70.00	12.00	13.00
SU95-70-15-R	95.00	70.00	15.00	16.00
SU95-75-10-R	95.00	75.00	10.00	11.00
SU95-75-12-R	95.00	75.00	12.00	13.00
SU95-80-7.5-R	95.00	80.00	7.50	8.30
SU95-80-8-R	95.00	80.00	8.00	9.00
SU95-80-9-R	95.00	80.00	9.00	10.00
SU95-80-12-R	95.00	80.00	12.00	13.00
SU95-85-5-R	95.00	85.00	5.00	5.50
SU95-85-9-R	95.00	85.00	9.00	10.00
SU98-86-12-R	98.00	86.00	12.00	13.00

309 * Nominal Dimensions

Fluid **Power**

The Hydraulic Seal Specialists

SU-RMetric **S**ingle Acting Rod or Piston **U**-Seal in **R**ubber

Part Number	*ØD1	*Ød1	H	*L1
SU100-60-20-R	100.00	60.00	20.00	21.00
SU100-65-18-R	100.00	65.00	18.00	19.00
SU100-70-15-R	100.00	70.00	15.00	16.00
SU100-75-12-R	100.00	75.00	12.00	13.00
SU100-75-15-R	100.00	75.00	15.00	16.00
SU100-78-12-R	100.00	78.00	12.00	13.00
SU100-80-10-R	100.00	80.00	10.00	11.00
SU100-80-12-R	100.00	80.00	12.00	13.00
SU100-80-15-R	100.00	80.00	15.00	16.00
SU100-82-9-R	100.00	82.00	9.00	10.00
SU100-85-7-R	100.00	85.00	7.00	8.00
SU100-85-7.5-R	100.00	85.00	7.50	8.30
SU100-85-9-R	100.00	85.00	9.00	10.00
SU100-85-11.5-R	100.00	85.00	11.50	12.50
SU100-85-12-R	100.00	85.00	12.00	13.00
SU100-88-6-R	100.00	88.00	6.00	7.00
SU100-90-5-R	100.00	90.00	5.00	5.50
SU100-90-6-R	100.00	90.00	6.00	7.00
SU100-90-8-R	100.00	90.00	8.00	9.00
SU102-78-12-R	102.00	78.00	12.00	13.00
SU103-83-14-R	103.00	83.00	14.00	15.00
SU103-84-14-R	103.00	84.00	14.00	15.00
SU103-95-12-R	103.00	95.00	12.00	13.00
SU104-92-12-R	104.00	92.00	12.00	13.00
SU105-75-15-R	105.00	75.00	15.00	16.00
SU105-80-12-R	105.00	80.00	12.00	13.00
SU105-80-15-R	105.00	80.00	15.00	16.00
SU105-85-10-R	105.00	85.00	10.00	11.00
SU105-85-12-R	105.00	85.00	12.00	13.00
SU105-85-15-R	105.00	85.00	15.00	16.00
SU105-86-16-R	105.00	86.00	16.00	17.00
SU105-90-7.5-R	105.00	90.00	7.50	8.30
SU105-90-9-R	105.00	90.00	9.00	10.00
SU105-95-5-R	105.00	95.00	5.00	5.50
SU105-97-8-R	105.00	97.00	8.00	9.00
SU108-98-10-R	108.00	98.00	10.00	11.00
SU110-80-15-R	110.00	80.00	15.00	16.00
SU110-85-12-R	110.00	85.00	12.00	13.00
SU110-85-15-R	110.00	85.00	15.00	16.00
SU110-90-10-R	110.00	90.00	10.00	11.00

* Nominal Dimensions

Fluid Power

The Hydraulic Seal Specialists



SU-R

Metric **S**ingle Acting Rod or Piston **U**-Seal in **R**ubber

Part Number	*ØD1	*Ød1	H	*L1
SU110-90-12-R	110.00	90.00	12.00	13.00
SU110-90-15-R	110.00	90.00	15.00	16.00
SU110-90-18-R	110.00	90.00	18.00	19.00
SU110-95-7.5-R	110.00	95.00	7.50	8.30
SU110-95-9-R	110.00	95.00	9.00	10.00
SU110-98-12-R	110.00	98.00	12.00	13.00
SU110-100-5-R	110.00	100.00	5.00	5.50
SU112-90-12-R	112.00	90.00	12.00	13.00
SU112-98-9-R	112.00	98.00	9.00	10.00
SU115-80-15-R	115.00	80.00	15.00	16.00
SU115-90-12-R	115.00	90.00	12.00	13.00
SU115-90-15-R	115.00	90.00	15.00	16.00
SU115-95-10-R	115.00	95.00	10.00	11.00
SU115-95-12-R	115.00	95.00	12.00	13.00
SU115-95-15-R	115.00	95.00	15.00	16.00
SU115-100-7.5-R	115.00	100.00	7.50	8.30
SU115-100-9-R	115.00	100.00	9.00	10.00
SU115-100-12-R	115.00	100.00	12.00	13.00
SU116-92-12-R	116.00	92.00	12.00	13.00
SU118-98-10-R	118.00	98.00	10.00	11.00
SU118-106-12-R	118.00	106.00	12.00	13.00
SU120-90-15-R	120.00	90.00	15.00	16.00
SU120-90-18-R	120.00	90.00	18.00	19.00
SU120-95-12-R	120.00	95.00	12.00	13.00
SU120-95-15-R	120.00	95.00	15.00	16.00
SU120-100-10-R	120.00	100.00	10.00	11.00
SU120-100-12-R	120.00	100.00	12.00	13.00
SU120-100-15-R	120.00	100.00	15.00	16.00
SU120-105-7.5-R	120.00	105.00	7.50	8.30
SU120-105-8-R	120.00	105.00	8.00	9.00
SU120-105-9-R	120.00	105.00	9.00	10.00
SU123-115-12-R	123.00	115.00	12.00	13.00
SU124-112-12-R	124.00	112.00	12.00	13.00
SU125-95-15-R	125.00	95.00	15.00	16.00
SU125-100-12-R	125.00	100.00	12.00	13.00
SU125-100-15-R	125.00	100.00	15.00	16.00
SU125-105-10-R	125.00	105.00	10.00	11.00
SU125-105-12-R	125.00	105.00	12.00	13.00
SU125-105-15-R	125.00	105.00	15.00	16.00
SU125-110-7.5-R	125.00	110.00	7.50	8.30

311 * Nominal Dimensions

Fluid **Power**

The Hydraulic Seal Specialists

SU-RMetric **S**ingle Acting Rod or Piston **U**-Seal in **R**ubber

Part Number	*ØD1	*Ød1	H	*L1
SU125-110-12-R	125.00	110.00	12.00	13.00
SU125-112-9-R	125.00	112.00	9.00	10.00
SU125-115-8-R	125.00	115.00	8.00	9.00
SU126-106-15-R	126.00	106.00	15.00	16.00
SU128-117-10-R	128.00	117.00	10.00	11.00
SU130-100-15-R	130.00	100.00	15.00	16.00
SU130-100-18-R	130.00	100.00	18.00	19.00
SU130-105-12-R	130.00	105.00	12.00	13.00
SU130-105-15-R	130.00	105.00	15.00	16.00
SU130-105-18-R	130.00	105.00	18.00	19.00
SU130-110-10-R	130.00	110.00	10.00	11.00
SU130-110-15-R	130.00	110.00	15.00	16.00
SU130-110-18-R	130.00	110.00	18.00	19.00
SU130-112-9-R	130.00	112.00	9.00	10.00
SU130-115-7.5-R	130.00	115.00	7.50	8.30
SU130-115-9-R	130.00	115.00	9.00	10.00
SU132-112-15-R	132.00	112.00	15.00	16.00
SU132-120-12-R	132.00	120.00	12.00	13.00
SU135-110-12-R	135.00	110.00	12.00	13.00
SU135-110-18-R	135.00	110.00	18.00	19.00
SU135-115-15-R	135.00	115.00	15.00	16.00
SU135-120-7.5-R	135.00	120.00	7.50	8.30
SU138-118-15-R	138.00	118.00	15.00	16.00
SU140-100-20-R	140.00	100.00	20.00	21.00
SU140-110-15-R	140.00	110.00	15.00	16.00
SU140-110-18-R	140.00	110.00	18.00	19.00
SU140-115-12-R	140.00	115.00	12.00	13.00
SU140-115-18-R	140.00	115.00	18.00	19.00
SU140-120-10-R	140.00	120.00	10.00	11.00
SU140-120-15-R	140.00	120.00	15.00	16.00
SU140-120-18-R	140.00	120.00	18.00	19.00
SU140-125-7.5-R	140.00	125.00	7.50	8.30
SU140-125-9-R	140.00	125.00	9.00	10.00
SU140-128-6-R	140.00	128.00	6.00	7.00
SU140-128-12-R	140.00	128.00	12.00	13.00
SU143-135-12-R	143.00	135.00	12.00	13.00
SU145-115-12-R	145.00	115.00	12.00	13.00
SU145-115-18-R	145.00	115.00	18.00	19.00
SU145-120-15-R	145.00	120.00	15.00	16.00
SU145-120-18-R	145.00	120.00	18.00	19.00

* Nominal Dimensions

Fluid Power

The Hydraulic Seal Specialists



SU-R

Metric **S**ingle Acting Rod or Piston **U**-Seal in **R**ubber

Part Number	*ØD1	*Ød1	H	*L1
SU145-125-10-R	145.00	125.00	10.00	11.00
SU145-125-15-R	145.00	125.00	15.00	16.00
SU150-110-20-R	150.00	110.00	20.00	21.00
SU150-120-15-R	150.00	120.00	15.00	16.00
SU150-120-18-R	150.00	120.00	18.00	19.00
SU150-125-18-R	150.00	125.00	18.00	19.00
SU150-130-10-R	150.00	130.00	10.00	11.00
SU150-130-15-R	150.00	130.00	15.00	16.00
SU150-130-16-R	150.00	130.00	16.00	17.00
SU150-135-10-R	150.00	135.00	10.00	11.00
SU150-135-15-R	150.00	135.00	15.00	16.00
SU150-136-9-R	150.00	136.00	9.00	10.00
SU151-127-16-R	151.00	127.00	16.00	17.00
SU154-125-20-R	154.00	125.00	20.00	21.00
SU155-125-15-R	155.00	125.00	15.00	16.00
SU155-125-18-R	155.00	125.00	18.00	19.00
SU155-130-18-R	155.00	130.00	18.00	19.00
SU155-140-9-R	155.00	140.00	9.00	10.00
SU160-130-15-R	160.00	130.00	15.00	16.00
SU160-130-18-R	160.00	130.00	18.00	19.00
SU160-135-12-R	160.00	135.00	12.00	13.00
SU160-135-18-R	160.00	135.00	18.00	19.00
SU160-138-12-R	160.00	138.00	12.00	13.00
SU160-140-8-R	160.00	140.00	8.00	9.00
SU160-140-12-R	160.00	140.00	12.00	13.00
SU160-140-15-R	160.00	140.00	15.00	16.00
SU160-145-9-R	160.00	145.00	9.00	10.00
SU163-155-12-R	163.00	155.00	12.00	13.00
SU164-152-12-R	164.00	152.00	12.00	13.00
SU165-135-15-R	165.00	135.00	15.00	16.00
SU165-135-18-R	165.00	135.00	18.00	19.00
SU165-140-18-R	165.00	140.00	18.00	19.00
SU165-145-15-R	165.00	145.00	15.00	16.00
SU165-150-9-R	165.00	150.00	9.00	10.00
SU168-160-12-R	168.00	160.00	12.00	13.00
SU169-160-13.5-R	169.00	160.00	13.50	14.50
SU170-140-15-R	170.00	140.00	15.00	16.00
SU170-140-18-R	170.00	140.00	18.00	19.00
SU170-140-20-R	170.00	140.00	20.00	21.00
SU170-145-18-R	170.00	145.00	18.00	19.00

313 * Nominal Dimensions

Fluid Power

The Hydraulic Seal Specialists

SU-R

Metric **S**ingle Acting Rod or Piston **U**-Seal in **R**ubber

Part Number	*ØD1	*Ød1	H	*L1
SU170-150-10-R	170.00	150.00	10.00	13.00
SU170-150-15-R	170.00	150.00	15.00	16.00
SU175-140-20-R	175.00	140.00	20.00	21.00
SU175-145-15-R	175.00	145.00	15.00	16.00
SU175-145-18-R	175.00	145.00	18.00	19.00
SU175-150-12-R	175.00	150.00	12.00	13.00
SU175-155-13-R	175.00	155.00	13.00	14.00
SU175-155-15-R	175.00	155.00	15.00	16.00
SU175-160-9-R	175.00	160.00	9.00	10.00
SU180-150-15-R	180.00	150.00	15.00	16.00
SU180-150-18-R	180.00	150.00	18.00	19.00
SU180-160-14-R	180.00	160.00	14.00	15.00
SU180-160-15-R	180.00	160.00	15.00	16.00
SU180-165-7.5-R	180.00	165.00	7.50	8.50
SU180-165-9-R	180.00	165.00	9.00	10.00
SU180-168-14-R	180.00	168.00	14.00	15.00
SU185-155-15-R	185.00	155.00	15.00	16.00
SU185-160-15-R	185.00	160.00	15.00	16.00
SU190-160-15-R	190.00	160.00	15.00	16.00
SU190-160-22-R	190.00	160.00	22.00	23.00
SU190-170-13-R	190.00	170.00	13.00	14.00
SU195-160-17-R	195.00	160.00	17.00	18.00
SU195-165-15-R	195.00	165.00	15.00	16.00
SU195-185-12-R	195.00	185.00	12.00	13.00
SU198-182-8-R	198.00	182.00	8.00	9.00
SU200-160-20-R	200.00	160.00	20.00	21.00
SU200-170-15-R	200.00	170.00	15.00	16.00
SU200-170-22-R	200.00	170.00	22.00	23.00
SU200-180-12-R	200.00	180.00	12.00	13.00
SU200-185-9-R	200.00	185.00	9.00	10.00
SU204-180-12-R	204.00	180.00	12.00	13.00
SU205-175-15-R	205.00	175.00	15.00	16.00
SU210-170-20-R	210.00	170.00	20.00	21.00
SU210-180-15-R	210.00	180.00	15.00	16.00
SU210-180-22-R	210.00	180.00	22.00	23.00
SU210-190-12-R	210.00	190.00	12.00	13.00
SU215-185-15-R	215.00	185.00	15.00	16.00
SU215-190-20-R	215.00	190.00	20.00	21.00
SU215-195-15-R	215.00	195.00	15.00	16.00
SU220-180-20-R	220.00	180.00	20.00	21.00

* Nominal Dimensions

Fluid Power

The Hydraulic Seal Specialists



SU-R

Metric **S**ingle Acting Rod or Piston **U**-Seal in **R**ubber

Part Number	*ØD1	*Ød1	H	*L1
SU220-190-15-R	220.00	190.00	15.00	16.00
SU220-190-22-R	220.00	190.00	22.00	23.00
SU220-190-25-R	220.00	190.00	25.00	26.00
SU220-200-12-R	220.00	200.00	12.00	13.00
SU220-200-18-R	220.00	200.00	18.00	19.00
SU222-202-10-R	222.00	202.00	10.00	11.00
SU224-204-12-R	224.00	204.00	12.00	13.00
SU225-195-15-R	225.00	195.00	15.00	16.00
SU230-190-20-R	230.00	190.00	20.00	21.00
SU230-200-15-R	230.00	200.00	15.00	16.00
SU230-200-22-R	230.00	200.00	22.00	23.00
SU230-205-15-R	230.00	205.00	15.00	16.00
SU230-215-7.5-R	230.00	215.00	7.50	8.50
SU235-195-20-R	235.00	195.00	20.00	21.00
SU235-200-17.5-R	235.00	200.00	17.50	18.50
SU235-210-15-R	235.00	210.00	15.00	16.00
SU240-200-20-R	240.00	200.00	20.00	21.00
SU240-210-20-R	240.00	210.00	20.00	21.00
SU249.5-236-12-R	249.50	236.00	12.00	13.00
SU250-210-20-R	250.00	210.00	20.00	21.00
SU250-220-15-R	250.00	220.00	15.00	16.00
SU250-220-20-R	250.00	220.00	20.00	21.00
SU250-225-18-R	250.00	225.00	18.00	19.00
SU250-230-12-R	250.00	230.00	12.00	13.00
SU250-230-12.5-R	250.00	230.00	12.50	13.50
SU254-230-15-R	254.00	230.00	15.00	16.00
SU255-225-15-R	255.00	225.00	15.00	16.00
SU255-230-15-R	255.00	230.00	15.00	16.00
SU260-220-20-R	260.00	220.00	20.00	21.00
SU260-230-22-R	260.00	230.00	22.00	23.00
SU260-240-16-R	260.00	240.00	16.00	17.00
SU265-220-22-R	265.00	220.00	22.00	23.00
SU270-230-20-R	270.00	230.00	20.00	21.00
SU270-240-18-R	270.00	240.00	18.00	19.00
SU272-240-16-R	272.00	240.00	16.00	17.00
SU275-235-20-R	275.00	235.00	20.00	21.00
SU280-240-20-R	280.00	240.00	20.00	21.00
SU280-250-25-R	280.00	250.00	25.00	26.00
SU285-260-12-R	285.00	260.00	12.00	13.00
SU290-250-20-R	290.00	250.00	20.00	21.00

315 * Nominal Dimensions

Fluid Power

The Hydraulic Seal Specialists

SU-R

Metric **S**ingle Acting Rod or Piston **U**-Seal in **R**ubber

Part Number	*ØD1	*Ød1	H	*L1
SU300-260-20-R	300.00	260.00	20.00	21.00
SU300-270-22-R	300.00	270.00	22.00	23.00
SU310-270-20-R	310.00	270.00	20.00	21.00
SU310-280-15-R	310.00	280.00	15.00	16.00
SU320-280-20-R	320.00	280.00	20.00	21.00
SU320-300-15-R	320.00	300.00	15.00	16.00
SU330-280-25-R	330.00	280.00	25.00	26.00
SU330-290-20-R	330.00	290.00	20.00	21.00
SU330-300-16-R	330.00	300.00	16.00	17.00
SU330-300-22-R	330.00	300.00	22.00	23.00
SU336-300-18-R	336.00	300.00	18.00	19.00
SU340-300-20-R	340.00	300.00	20.00	21.00
SU350-310-20-R	350.00	310.00	20.00	21.00
SU350-320-15-R	350.00	320.00	15.00	16.00
SU350-320-22-R	350.00	320.00	22.00	23.00
SU355-305-25-R	355.00	305.00	25.00	26.00
SU360-320-20-R	360.00	320.00	20.00	21.00
SU360-320-35-R	360.00	320.00	35.00	36.00
SU366-330-18-R	366.00	330.00	18.00	19.00
SU370-330-20-R	370.00	330.00	20.00	21.00
SU380-340-20-R	380.00	340.00	20.00	21.00
SU390-350-35-R	390.00	350.00	35.00	36.00
SU395-375-12-R	395.00	375.00	12.00	13.00
SU400-350-25-R	400.00	350.00	25.00	26.00
SU400-360-20-R	400.00	360.00	20.00	21.00
SU400-370-15-R	400.00	370.00	15.00	16.00
SU415-390-15-R	415.00	390.00	15.00	16.00
SU420-360-30-R	420.00	360.00	30.00	31.00
SU420-380-20-R	420.00	380.00	20.00	21.00
SU440-400-20-R	440.00	400.00	20.00	21.00
SU450-400-25-R	450.00	400.00	25.00	26.00
SU450-410-20-R	450.00	410.00	20.00	21.00
SU450-420-15-R	450.00	420.00	15.00	16.00
SU455-415-20-R	455.00	415.00	20.00	21.00
SU480-440-25-R	480.00	440.00	25.00	26.00
SU500-450-25-R	500.00	450.00	25.00	26.00
SU500-460-20-R	500.00	460.00	20.00	21.00
SU510-460-32-R	510.00	460.00	32.00	33.00
SU550-510-20-R	550.00	510.00	20.00	21.00
SU580-540-20-R	580.00	540.00	20.00	21.00

* Nominal Dimensions

Fluid Power

The Hydraulic Seal Specialists



SU-R

Metric **S**ingle Acting Rod or Piston **U**-Seal in **R**ubber

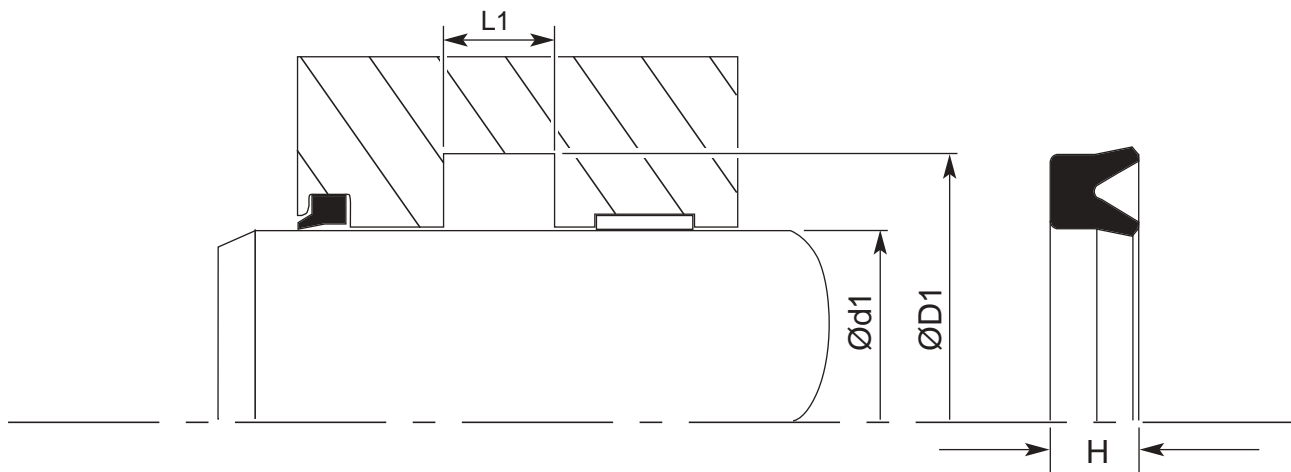
Part Number	*ØD1	*Ød1	H	*L1
SU600-550-25-R	600.00	550.00	25.00	26.00
SU630-580-25-R	630.00	580.00	25.00	26.00
SU650-600-35-R	650.00	600.00	35.00	36.00

Fluid Power

The Hydraulic Seal Specialists

SU-R

Imperial **S**ingle Acting Rod or Piston **U**-Seal in **R**ubber



Tolerances

$\varnothing D1$	$\varnothing d1$	L1
H10	h11	± 0.010

Operating Conditions

The Operating conditions for this range of seals varies greatly depending on the manufacturer and the style of seal. Please consult the FPE sales team to ensure that the seal you are being offered is suitable for your requirements.

SU-R is a symmetrical seal suitable for low pressure hydraulic piston and rod applications.

The sealing effect is obtained due to the lip pre-compression when installed and the pressure effect on the lips.

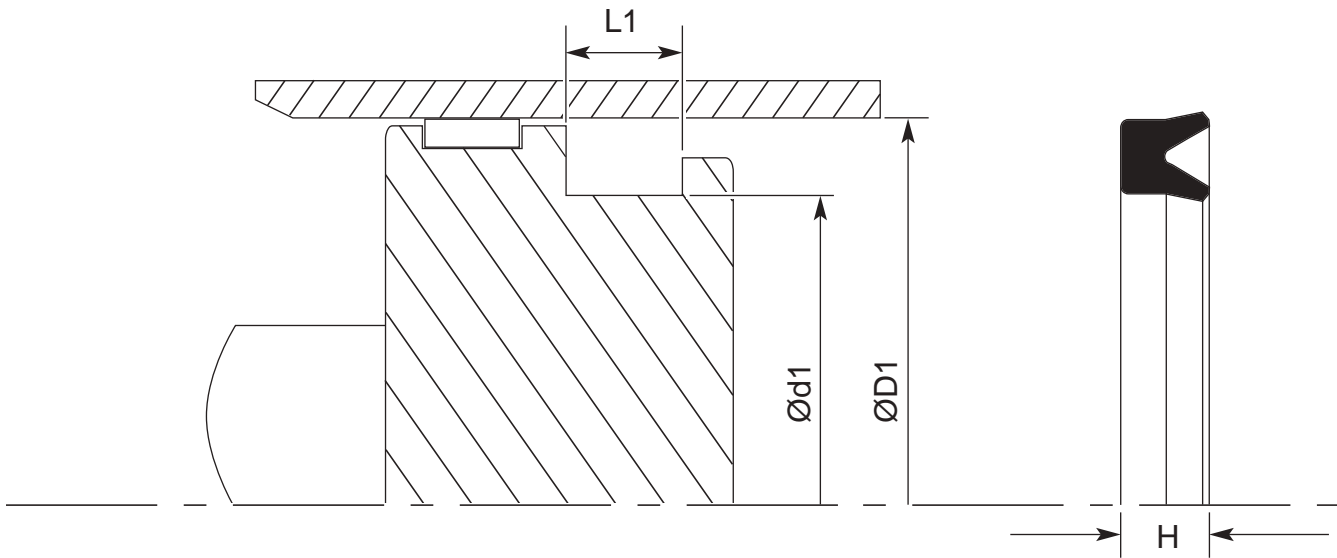
Fluid Power

The Hydraulic Seal Specialists



SU-R

Imperial **S**ingle Acting Rod or Piston **U**-Seal in **R**ubber



Tolerances

ØD1	Ød1	L1
H10	h11	± 0.010

Operating Conditions

The Operating conditions for this range of seals varies greatly depending on the manufacturer and the style of seal. Please consult the FPE sales team to ensure that the seal you are being offered is suitable for your requirements.

SU-R is a symmetrical seal suitable for low pressure hydraulic piston and rod applications.

The sealing effect is obtained due to the lip pre-compression when installed and the pressure effect on the lips.

Fluid **Power**

The Hydraulic Seal Specialists

SU-RImperial **S**ingle Acting Rod or Piston **U**-Seal in **R**ubber

Part Number	*ØD1	*Ød1	H	*L1
SU025012-006-R	0.250	0.125	0.063	0.094
SU031012-009-R	0.312	0.125	0.093	0.125
SU037012-012-R	0.375	0.125	0.125	0.156
SU037018-009-R	0.375	0.187	0.093	0.125
SU043018-012-R	0.437	0.187	0.125	0.156
SU043025-009-R	0.437	0.250	0.093	0.125
SU043025-012-R	0.437	0.250	0.125	0.156
SU050012-018-R	0.500	0.125	0.187	0.218
SU050025-012-R	0.500	0.250	0.125	0.156
SU050031-009-R	0.500	0.312	0.093	0.125
SU050031-012-R	0.500	0.312	0.125	0.156
SU050031-018-R	0.500	0.312	0.187	0.218
SU050031-025-R	0.500	0.312	0.250	0.281
SU056018-018-R	0.562	0.187	0.187	0.218
SU056025-016-R	0.562	0.250	0.160	0.190
SU056031-012-R	0.562	0.312	0.125	0.156
SU062025-018-R	0.625	0.250	0.187	0.218
SU062037-012-R	0.625	0.375	0.125	0.156
SU062043-009-R	0.625	0.437	0.093	0.125
SU068031-018-R	0.687	0.312	0.187	0.218
SU068043-012-R	0.687	0.437	0.125	0.156
SU068043-018-R	0.687	0.437	0.187	0.218
SU068050-009-R	0.687	0.500	0.093	0.125
SU075025-025-R	0.750	0.250	0.250	0.281
SU075037-018-R	0.750	0.375	0.187	0.218
SU075037-025-R	0.750	0.375	0.250	0.281
SU075043-018-R	0.750	0.437	0.187	0.218
SU075050-012-R	0.750	0.500	0.125	0.156
SU075056-009-R	0.750	0.562	0.093	0.125
SU076037-035-R	0.765	0.375	0.350	0.381
SU081031-025-R	0.812	0.312	0.250	0.281
SU081043-018-R	0.812	0.437	0.187	0.218
SU081050-015-R	0.812	0.500	0.156	0.187
SU081050-021-R	0.812	0.500	0.219	0.250
SU081056-012-R	0.812	0.562	0.125	0.156
SU081062-009-R	0.812	0.625	0.093	0.125
SU087037-025-R	0.875	0.375	0.250	0.281
SU087050-018-R	0.875	0.500	0.187	0.218
SU087062-012-R	0.875	0.625	0.125	0.156
SU087068-009-R	0.875	0.687	0.093	0.125

* Nominal Dimensions

Fluid **Power**

The Hydraulic Seal Specialists



SU-R

Imperial **S**ingle Acting Rod or Piston **U**-Seal in **R**ubber

Part Number	*ØD1	*Ød1	H	*L1
SU088047-021-R	0.880	0.471	0.218	0.250
SU093043-025-R	0.937	0.437	0.250	0.281
SU093056-018-R	0.937	0.562	0.187	0.218
SU093068-012-R	0.937	0.687	0.125	0.156
SU100050-025-R	1.000	0.500	0.250	0.281
SU100062-018-R	1.000	0.625	0.187	0.218
SU100062-025-R	1.000	0.625	0.250	0.281
SU100068-015-R	1.000	0.687	0.156	0.187
SU100075-012-R	1.000	0.750	0.125	0.156
SU106056-025-R	1.062	0.562	0.250	0.281
SU106068-018-R	1.062	0.687	0.187	0.218
SU106068-028-R	1.062	0.687	0.281	0.312
SU106075-015-R	1.062	0.750	0.156	0.187
SU106081-012-R	1.062	0.812	0.125	0.156
SU109068-016-R	1.090	0.687	0.160	0.191
SU112050-031-R	1.125	0.500	0.312	0.343
SU112062-025-R	1.125	0.625	0.250	0.281
SU112068-021-R	1.125	0.687	0.218	0.250
SU112075-018-R	1.125	0.750	0.187	0.218
SU112075-029-R	1.125	0.750	0.295	0.312
SU112087-012-R	1.125	0.875	0.125	0.156
SU118068-025-R	1.187	0.687	0.250	0.281
SU118075-025-R	1.187	0.750	0.250	0.281
SU125062-031-R	1.250	0.625	0.312	0.343
SU125075-025-R	1.250	0.750	0.250	0.281
SU125075-031-R	1.250	0.750	0.312	0.343
SU125087-018-R	1.250	0.875	0.187	0.218
SU125087-023-R	1.250	0.875	0.230	0.261
SU125093-015-R	1.250	0.937	0.156	0.187
SU125100-012-R	1.250	1.000	0.125	0.156
SU131075-031-R	1.312	0.750	0.312	0.343
SU131081-025-R	1.312	0.812	0.250	0.281
SU131100-015-R	1.312	1.000	0.156	0.187
SU137075-028-R	1.375	0.750	0.281	0.312
SU137087-025-R	1.375	0.875	0.250	0.281
SU137100-018-R	1.375	1.000	0.187	0.218
SU137106-015-R	1.375	1.062	0.156	0.187
SU137112-012-R	1.375	1.125	0.125	0.156
SU140100-023-R	1.400	1.000	0.230	0.261
SU143081-037-R	1.437	0.812	0.375	0.406

321 * Nominal Dimensions

Fluid Power

The Hydraulic Seal Specialists

SU-R

Imperial **S**ingle Acting Rod or Piston **U**-Seal in **R**ubber

Part Number	*ØD1	*Ød1	H	*L1
SU143093-025-R	1.437	0.937	0.250	0.281
SU150075-050-R	1.500	0.750	0.500	0.531
SU150087-031-R	1.500	0.875	0.312	0.343
SU150100-025-R	1.500	1.000	0.250	0.281
SU150112-018-R	1.500	1.125	0.187	0.218
SU150112-025-R	1.500	1.125	0.255	0.286
SU150118-015-R	1.500	1.187	0.156	0.187
SU150125-012-R	1.500	1.250	0.125	0.156
SU156093-031-R	1.562	0.937	0.312	0.343
SU156106-025-R	1.562	1.062	0.250	0.281
SU156125-015-R	1.562	1.250	0.156	0.187
SU156127-024-R	1.565	1.270	0.240	0.271
SU162093-037-R	1.625	0.937	0.375	0.406
SU162100-031-R	1.625	1.000	0.312	0.343
SU162112-025-R	1.625	1.125	0.250	0.281
SU162118-031-R	1.625	1.187	0.312	0.343
SU162125-018-R	1.625	1.250	0.187	0.218
SU162131-015-R	1.625	1.312	0.156	0.187
SU162137-012-R	1.625	1.375	0.125	0.156
SU168100-037-R	1.687	1.000	0.375	0.406
SU168118-025-R	1.687	1.187	0.250	0.281
SU168137-015-R	1.687	1.375	0.156	0.187
SU175100-037-R	1.750	1.000	0.375	0.406
SU175125-025-R	1.750	1.250	0.250	0.281
SU175137-018-R	1.750	1.375	0.187	0.218
SU175137-025-R	1.750	1.375	0.250	0.281
SU175143-015-R	1.750	1.437	0.156	0.187
SU175150-012-R	1.750	1.500	0.125	0.156
SU181106-037-R	1.812	1.062	0.375	0.406
SU181150-015-R	1.812	1.500	0.156	0.187
SU187112-037-R	1.875	1.125	0.375	0.406
SU187125-031-R	1.875	1.250	0.312	0.343
SU187137-025-R	1.875	1.375	0.250	0.281
SU187150-018-R	1.875	1.500	0.187	0.218
SU188138-039-R	1.879	1.388	0.394	0.425
SU193118-037-R	1.937	1.187	0.375	0.406
SU200125-037-R	2.000	1.250	0.375	0.406
SU200137-031-R	2.000	1.375	0.312	0.343
SU200137-037-R	2.000	1.375	0.375	0.406
SU200150-028-R	2.000	1.500	0.281	0.312

* Nominal Dimensions

Fluid Power

The Hydraulic Seal Specialists



SU-R

Imperial **S**ingle Acting Rod or Piston **U**-Seal in **R**ubber

Part Number	*ØD1	*Ød1	H	*L1
SU200150-041-R	2.000	1.500	0.415	0.446
SU200162-018-R	2.000	1.625	0.187	0.218
SU200175-012-R	2.000	1.750	0.125	0.156
SU206131-037-R	2.062	1.312	0.375	0.406
SU212137-037-R	2.125	1.375	0.375	0.406
SU212150-031-R	2.125	1.500	0.312	0.343
SU212162-032-R	2.125	1.625	0.320	0.351
SU212175-018-R	2.125	1.750	0.187	0.218
SU218150-025-R	2.187	1.500	0.250	0.281
SU225143-031-R	2.250	1.437	0.312	0.343
SU225162-031-R	2.250	1.625	0.312	0.343
SU225175-025-R	2.250	1.750	0.250	0.281
SU225187-018-R	2.250	1.875	0.187	0.218
SU225200-012-R	2.250	2.000	0.125	0.156
SU230200-019-R	2.300	2.000	0.195	0.226
SU231156-037-R	2.312	1.562	0.375	0.406
SU236190-026-R	2.360	1.900	0.260	0.291
SU237162-037-R	2.375	1.625	0.375	0.406
SU237175-031-R	2.375	1.750	0.312	0.343
SU237175-043-R	2.375	1.750	0.437	0.468
SU237175-056-R	2.375	1.750	0.562	0.594
SU237200-018-R	2.375	2.000	0.187	0.218
SU243156-037-R	2.437	1.562	0.375	0.406
SU243193-031-R	2.437	1.937	0.312	0.343
SU250100-075-R	2.500	1.000	0.750	0.781
SU250187-031-R	2.500	1.875	0.312	0.343
SU250200-025-R	2.500	2.000	0.250	0.281
SU250200-037-R	2.500	2.000	0.375	0.406
SU250212-018-R	2.500	2.125	0.187	0.218
SU256168-037-R	2.562	1.687	0.375	0.406
SU262175-043-R	2.625	1.750	0.437	0.500
SU262200-031-R	2.625	2.000	0.312	0.343
SU262200-056-R	2.625	2.000	0.562	0.594
SU262225-018-R	2.625	2.250	0.187	0.218
SU268181-037-R	2.687	1.812	0.375	0.406
SU275175-072-R	2.750	1.750	0.718	0.750
SU275193-037-R	2.750	1.937	0.375	0.406
SU275200-037-R	2.750	2.000	0.375	0.406
SU275200-050-R	2.750	2.000	0.500	0.531
SU275212-031-R	2.750	2.125	0.312	0.343

323 * Nominal Dimensions

Fluid **Power**

The Hydraulic Seal Specialists

SU-RImperial **S**ingle Acting Rod or Piston **U**-Seal in **R**ubber

Part Number	*ØD1	*Ød1	H	*L1
SU275237-018-R	2.750	2.375	0.187	0.218
SU281206-037-R	2.812	2.062	0.375	0.406
SU287200-037-R	2.875	2.000	0.375	0.406
SU287225-031-R	2.875	2.250	0.312	0.343
SU287250-018-R	2.875	2.500	0.187	0.218
SU293212-037-R	2.937	2.125	0.375	0.406
SU293250-021-R	2.937	2.500	0.218	0.250
SU300125-050-R	3.000	1.250	0.500	0.531
SU300200-050-R	3.000	2.000	0.500	0.531
SU300218-037-R	3.000	2.187	0.375	0.406
SU300225-037-R	3.000	2.250	0.375	0.406
SU300225-050-R	3.000	2.250	0.500	0.531
SU300237-031-R	3.000	2.375	0.312	0.343
SU300250-025-R	3.000	2.500	0.250	0.281
SU300256-021-R	3.000	2.562	0.218	0.250
SU300262-018-R	3.000	2.625	0.187	0.218
SU312237-037-R	3.125	2.375	0.375	0.406
SU312250-031-R	3.125	2.500	0.312	0.343
SU312262-025-R	3.125	2.625	0.250	0.281
SU318275-021-R	3.187	2.750	0.218	0.250
SU325250-037-R	3.250	2.500	0.375	0.406
SU325262-031-R	3.250	2.625	0.312	0.343
SU325275-025-R	3.250	2.750	0.250	0.281
SU325281-021-R	3.250	2.812	0.218	0.250
SU325287-018-R	3.250	2.875	0.187	0.218
SU337237-050-R	3.375	2.375	0.500	0.531
SU337262-037-R	3.375	2.625	0.375	0.406
SU337275-056-R	3.375	2.750	0.562	0.594
SU337300-018-R	3.375	3.000	0.187	0.218
SU343300-021-R	3.437	3.000	0.218	0.250
SU350062-050-R	3.500	0.625	0.500	0.531
SU350275-018-R	3.500	2.750	0.187	0.218
SU350275-037-R	3.500	2.750	0.375	0.406
SU350275-050-R	3.500	2.750	0.500	0.531
SU350287-031-R	3.500	2.875	0.312	0.343
SU350306-021-R	3.500	3.062	0.218	0.250
SU362287-037-R	3.625	2.875	0.375	0.406
SU362300-031-R	3.625	3.000	0.312	0.343
SU362300-056-R	3.625	3.000	0.562	0.594
SU362312-025-R	3.625	3.125	0.250	0.281

* Nominal Dimensions

Fluid **Power**

The Hydraulic Seal Specialists



SU-R

Imperial **S**ingle Acting Rod or Piston **U**-Seal in **R**ubber

Part Number	*ØD1	*Ød1	H	*L1
SU362325-018-R	3.625	3.250	0.187	0.218
SU375200-062-R	3.750	2.000	0.625	0.656
SU375275-037-R	3.750	2.750	0.375	0.406
SU375300-037-R	3.750	3.000	0.375	0.406
SU375300-050-R	3.750	3.000	0.500	0.531
SU375331-021-R	3.750	3.312	0.218	0.250
SU375337-018-R	3.750	3.375	0.187	0.218
SU387300-037-R	3.875	3.000	0.375	0.406
SU387312-037-R	3.875	3.125	0.375	0.406
SU393325-031-R	3.937	3.250	0.312	0.344
SU393350-025-R	3.937	3.500	0.250	0.281
SU400306-050-R	4.000	3.062	0.500	0.531
SU400325-037-R	4.000	3.250	0.375	0.406
SU400325-047-R	4.000	3.250	0.470	0.532
SU400325-056-R	4.000	3.250	0.562	0.594
SU400350-025-R	4.000	3.500	0.250	0.281
SU412300-075-R	4.125	3.000	0.750	0.781
SU412331-043-R	4.125	3.312	0.437	0.468
SU412337-037-R	4.125	3.375	0.375	0.406
SU412337-056-R	4.125	3.375	0.562	0.593
SU412362-025-R	4.125	3.625	0.250	0.281
SU425225-050-R	4.250	2.250	0.500	0.531
SU425287-037-R	4.250	2.875	0.375	0.406
SU425350-037-R	4.250	3.500	0.375	0.406
SU425356-031-R	4.250	3.562	0.312	0.343
SU425375-025-R	4.250	3.750	0.250	0.281
SU437362-037-R	4.375	3.625	0.375	0.406
SU450075-062-R	4.500	0.750	0.625	0.656
SU450375-037-R	4.500	3.750	0.375	0.406
SU450400-025-R	4.500	4.000	0.250	0.281
SU462387-037-R	4.625	3.875	0.375	0.406
SU462412-025-R	4.625	4.125	0.250	0.281
SU475300-050-R	4.750	3.000	0.500	0.531
SU475400-043-R	4.750	4.000	0.437	0.468
SU475412-037-R	4.750	4.125	0.375	0.406
SU487425-031-R	4.875	4.250	0.312	0.343
SU500125-043-R	5.000	1.250	0.437	0.470
SU500350-050-R	5.000	3.500	0.500	0.531
SU500425-037-R	5.000	4.250	0.375	0.406
SU500425-043-R	5.000	4.250	0.437	0.468

325 * Nominal Dimensions

Fluid **Power**

The Hydraulic Seal Specialists

SU-RImperial **S**ingle Acting Rod or Piston **U**-Seal in **R**ubber

Part Number	*ØD1	*Ød1	H	*L1
SU500425-045-R	5.000	4.250	0.450	0.530
SU500425-062-R	5.000	4.250	0.625	0.656
SU500437-031-R	5.000	4.375	0.312	0.343
SU500443-028-R	5.000	4.437	0.281	0.312
SU500450-025-R	5.000	4.500	0.250	0.281
SU512437-037-R	5.125	4.375	0.375	0.406
SU512437-025-R	5.125	4.375	0.250	0.281
SU512456-028-R	5.125	4.562	0.281	0.312
SU525450-037-R	5.250	4.500	0.375	0.406
SU525475-025-R	5.250	4.750	0.250	0.281
SU537437-031-R	5.375	4.375	0.312	0.343
SU537450-037-R	5.375	4.500	0.375	0.406
SU550462-037-R	5.500	4.625	0.375	0.406
SU550475-037-R	5.500	4.750	0.375	0.406
SU556500-028-R	5.562	5.000	0.281	0.312
SU562487-037-R	5.625	4.875	0.375	0.406
SU562500-031-R	5.625	5.000	0.312	0.343
SU575500-037-R	5.750	5.000	0.375	0.406
SU587387-050-R	5.875	3.875	0.500	0.531
SU587512-037-R	5.875	5.125	0.375	0.406
SU600500-050-R	6.000	5.000	0.500	0.562
SU600512-043-R	6.000	5.125	0.437	0.469
SU600525-037-R	6.000	5.250	0.375	0.406
SU600525-050-R	6.000	5.250	0.500	0.531
SU600531-072-R	6.000	5.312	0.720	0.782
SU600537-031-R	6.000	5.375	0.312	0.343
SU600543-028-R	6.000	5.437	0.281	0.312
SU600550-025-R	6.000	5.500	0.250	0.281
SU600550-037-R	6.000	5.500	0.375	0.406
SU612537-037-R	6.125	5.375	0.375	0.406
SU612550-031-R	6.125	5.500	0.312	0.343
SU625525-050-R	6.250	5.250	0.500	0.531
SU650475-062-R	6.500	4.750	0.625	0.656
SU650550-050-R	6.500	5.500	0.500	0.531
SU661623-020-R	6.619	6.231	0.200	0.231
SU675600-037-R	6.750	6.000	0.375	0.406
SU700575-050-R	7.000	5.750	0.500	0.531
SU700600-050-R	7.000	6.000	0.500	0.531
SU700600-062-R	7.000	6.000	0.625	0.656
SU700612-043-R	7.000	6.125	0.437	0.469

* Nominal Dimensions

Fluid **Power**

The Hydraulic Seal Specialists



SU-R

Imperial **S**ingle Acting Rod or Piston **U**-Seal in **R**ubber

Part Number	*ØD1	*Ød1	H	*L1
SU700625-050-R	7.000	6.250	0.500	0.531
SU700637-031-R	7.000	6.375	0.312	0.343
SU700643-028-R	7.000	6.437	0.281	0.312
SU725600-050-R	7.250	6.000	0.500	0.531
SU737475-075-R	7.375	4.750	0.750	0.781
SU750475-075-R	7.500	4.750	0.750	0.781
SU750625-062-R	7.500	6.250	0.625	0.656
SU775700-062-R	7.750	7.000	0.625	0.656
SU800650-075-R	8.000	6.500	0.750	0.812
SU800675-062-R	8.000	6.750	0.625	0.656
SU800700-050-R	8.000	7.000	0.500	0.531
SU800737-031-R	8.000	7.375	0.312	0.343
SU825675-075-R	8.250	6.750	0.750	0.812
SU825725-037-R	8.250	7.250	0.375	0.406
SU850525-087-R	8.500	5.250	0.875	0.906
SU850675-075-R	8.500	6.750	0.750	0.812
SU875725-075-R	8.750	7.250	0.750	0.812
SU900750-075-R	9.000	7.500	0.750	0.812
SU925775-075-R	9.250	7.750	0.750	0.812
SU950825-050-R	9.500	8.250	0.500	0.531
SU975800-075-R	9.750	8.000	0.750	0.812
SU1000750-062-R	10.000	7.500	0.625	0.656
SU1000850-075-R	10.000	8.500	0.750	0.812
SU1000900-050-R	10.000	9.000	0.500	0.531
SU1000925-037-R	10.000	9.250	0.375	0.406
SU1000931-034-R	10.000	9.312	0.343	0.375
SU1050900-087-R	10.500	9.000	0.875	0.944
SU1100950-087-R	11.000	9.500	0.875	0.944
SU11501000-087-R	11.500	10.000	0.875	0.944
SU12001050-087-R	12.000	10.500	0.875	0.937
SU12001100-050-R	12.000	11.000	0.500	0.531
SU12001125-037-R	12.000	11.250	0.375	0.406
SU12501100-087-R	12.500	11.000	0.875	0.944
SU13001150-087-R	13.000	11.500	0.875	0.944
SU13501200-087-R	13.500	12.000	0.875	0.944
SU14001250-087-R	14.000	12.500	0.875	0.944
SU14001300-050-R	14.000	13.000	0.500	0.531
SU14001318-040-R	14.000	13.187	0.406	0.438
SU14501300-087-R	14.500	13.000	0.875	0.944
SU15001325-087-R	15.000	13.250	0.875	0.944

327 * Nominal Dimensions

Fluid Power

The Hydraulic Seal Specialists

SU-R

Imperial **S**ingle Acting Rod or Piston **U**-Seal in **R**ubber



Part Number	*ØD1	*Ød1	H	*L1
SU15251350-087-R	15.250	13.500	0.875	0.944
SU15501400-087-R	15.500	14.000	0.875	0.944
SU16001450-087-R	16.000	14.500	0.875	0.944
SU16501500-087-R	16.500	15.000	0.875	0.944
SU17001550-087-R	17.000	15.500	0.875	0.944
SU17501600-087-R	17.500	16.000	0.875	0.944
SU18001650-087-R	18.000	16.500	0.875	0.944
SU18501700-087-R	18.500	17.000	0.875	0.944
SU19001750-087-R	19.000	17.500	0.875	0.944
SU19501800-087-R	19.500	18.000	0.875	0.944
SU20001850-075-R	20.000	18.500	0.750	0.812

* Nominal Dimensions

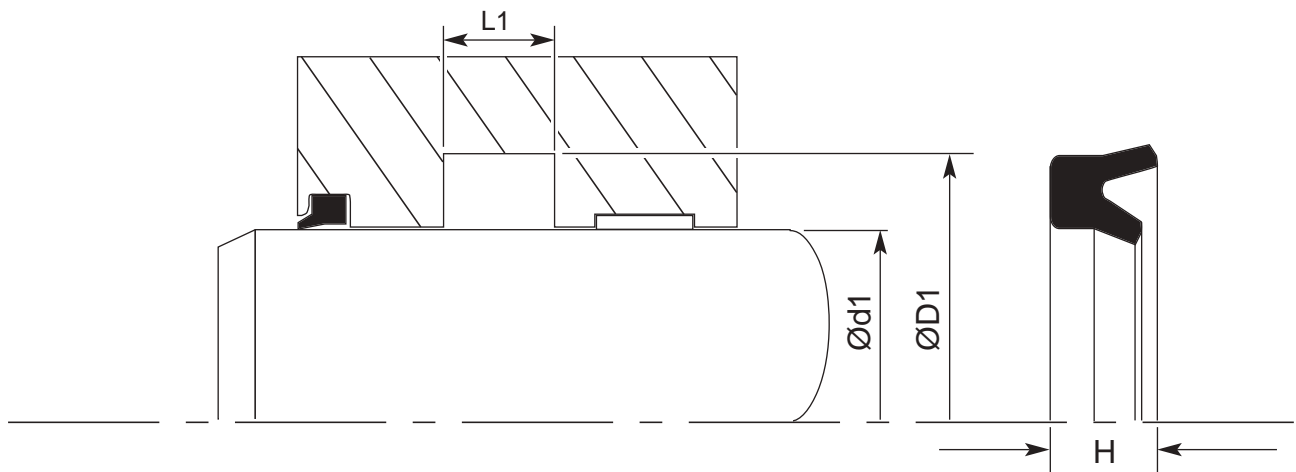
Fluid Power

The Hydraulic Seal Specialists



SU-DI-R

Metric **S**ingle Acting **U**-seal (**D**istributor **I**nternal) in **R**ubber



Tolerances

ØD1	Ød1	L1
H9	H8	+0.25/-0.00

Operating Conditions

The Operating conditions for this range of seals varies greatly depending on the manufacturer and the style of seal. Please consult the FPE sales team to ensure that the seal you are being offered is suitable for your requirements.

Manufactured from extremely wear resistant nitrile rubber, **SU-DI-R** is an asymmetrical seal specifically designed for rod applications. The sealing effect of the SU-DI-R is obtained due to the lip pre-compression when installed and the pressure effect on the lips.

Fluid **Power**

The Hydraulic Seal Specialists

SU-DI-RMetric **S**ingle Acting **U**-seal (**D**istributor **I**nternal) in **R**ubber

Part Number	*ØD1	*Ød1	H	*L1
SU4-1.5-1.8DI-R	4.00	1.50	1.80	2.30
SU7-2-3.5DI-R	7.00	2.00	3.50	4.00
SU7-3-3DI-R	7.00	3.00	3.00	3.50
SU7.5-4-3DI-R	7.50	4.00	3.00	3.50
SU8-4-3DI-R	8.00	4.00	3.00	3.50
SU8-4.5-3DI-R	8.00	4.50	3.00	3.50
SU9-3-4.5DI-R	9.00	3.00	4.50	5.00
SU9-4-3.5DI-R	9.00	4.00	3.50	4.00
SU9-5-2.5DI-R	9.00	5.00	2.50	3.00
SU9.7-5-4DI-R	9.70	5.00	4.00	4.50
SU10-3-5DI-R	10.00	3.00	5.00	5.50
SU10-4-4.2DI-R	10.00	4.00	4.20	4.70
SU10-5-4DI-R	10.00	5.00	4.00	4.50
SU10-6-3DI-R	10.00	6.00	3.00	3.50
SU12-4-4.5DI-R	12.00	4.00	4.50	5.00
SU12-4-5.5DI-R	12.00	4.00	5.50	6.00
SU12-5-4.5DI-R	12.00	5.00	4.50	5.00
SU12-6-4DI-R	12.00	6.00	4.00	4.50
SU13-6-5DI-R	13.00	6.00	5.00	5.50
SU13-6-5.5DI-R	13.00	6.00	5.50	6.00
SU13-7-4DI-R	13.00	7.00	4.00	4.50
SU13.6-10-2.3DI-R	13.60	10.00	2.30	2.70
SU14-8-4DI-R	14.00	8.00	4.00	4.50
SU14-8-4.5DI-R	14.00	8.00	4.50	5.00
SU14-9-3.5DI-R	14.00	9.00	3.50	4.00
SU14-9.3-3DI-R	14.00	9.30	3.00	3.50
SU14-10-2DI-R	14.00	10.00	2.00	2.50
SU14-10-4DI-R	14.00	10.00	4.00	4.50
SU14.5-8-4DI-R	14.50	8.00	4.00	4.50
SU15-6-7DI-R	15.00	6.00	7.00	7.50
SU15-10-3.5DI-R	15.00	10.00	3.50	4.00
SU15.2-10.4-3.5DI-R	15.20	10.40	3.50	4.00
SU16-6-5DI-R	16.00	6.00	5.00	5.50
SU16-8-5.5DI-R	16.00	8.00	5.50	6.00
SU16-8-6DI-R	16.00	8.00	6.00	6.50
SU16-10-4.5DI-R	16.00	10.00	4.50	5.00
SU16-10-6DI-R	16.00	10.00	6.00	6.50
SU17-11-4DI-R	17.00	11.00	4.00	4.50
SU17-12-3.7DI-R	17.00	12.00	3.70	4.20
SU17.5-13-2.8DI-R	17.50	13.00	2.80	3.80

* Nominal Dimensions

Fluid **Power**

The Hydraulic Seal Specialists

**SU-DI-R**Metric **S**ingle Acting **U**-seal(**D**istributor **I**nternal) in **R**ubber

Part Number	*ØD1	*Ød1	H	*L1
SU17.5-13-3.3DI-R	17.50	13.00	3.30	3.80
SU18-8-8DI-R	18.00	8.00	8.00	8.50
SU18-10-5.5DI-R	18.00	10.00	5.50	6.00
SU18-11-4.5DI-R	18.00	11.00	4.50	5.00
SU18-12-4DI-R	18.00	12.00	4.00	4.50
SU18-12-4.5DI-R	18.00	12.00	4.50	5.00
SU18.5-9.5-7DI-R	18.50	9.50	7.00	7.50
SU18.5-12-4.5DI-R	18.50	12.00	4.50	5.00
SU19-12-4.5DI-R	19.00	12.00	4.50	5.00
SU19-13-6DI-R	19.00	13.00	6.00	7.00
SU19-14-3.5DI-R	19.00	14.00	3.50	4.00
SU19.2-12.7-3.8DI-R	19.20	12.75	3.80	4.30
SU20-10-4.5DI-R	20.00	10.00	4.50	5.00
SU20-10-6.5DI-R	20.00	10.00	6.50	7.00
SU20-10-7DI-R	20.00	10.00	7.00	7.50
SU20-12-5.5DI-R	20.00	12.00	5.50	6.00
SU20-14-4.8DI-R	20.00	14.00	4.80	5.30
SU20.5-16-5DI-R	20.50	16.00	5.00	5.50
SU22-12-5DI-R	22.00	12.00	5.00	5.50
SU22-12-7.5DI-R	22.00	12.00	7.50	8.00
SU22-12-8DI-R	22.00	12.00	8.00	8.50
SU22-13.8-5.5DI-R	22.00	13.80	5.50	6.00
SU22-14-5.5DI-R	22.00	14.00	5.50	6.00
SU22-15-5DI-R	22.00	15.00	5.50	6.00
SU22-16-4DI-R	22.00	16.00	4.00	4.50
SU22-16-5.5DI-R	22.00	16.00	5.50	6.00
SU22.5-16-4.5DI-R	22.50	16.00	4.50	5.00
SU23-13-8DI-R	23.00	13.00	8.00	9.00
SU23-15-6DI-R	23.00	15.00	6.00	7.00
SU23-16-5.5DI-R	23.00	16.00	5.50	6.00
SU23.5-16-5.5DI-R	23.50	16.00	5.50	6.00
SU24-15.8-5.5DI-R	24.00	15.80	5.50	6.00
SU24-16-5DI-R	24.00	16.00	5.00	5.50
SU24-16-5.5DI-R	24.00	16.00	5.50	6.00
SU24-16-6.5DI-R	24.00	16.00	6.50	7.00
SU24-18-5DI-R	24.00	18.00	5.00	5.50
SU24-18-5.5DI-R	24.00	18.00	5.50	6.00
SU25-14-8DI-R	25.00	14.00	8.00	8.50
SU25-17-5.5DI-R	25.00	17.00	5.50	6.00
SU25-18-4.5DI-R	25.00	18.00	4.50	5.00

331 * Nominal Dimensions

Fluid **Power**

The Hydraulic Seal Specialists

SU-DI-RMetric **S**ingle Acting **U**-seal (**D**istributor **I**nternal) in **R**ubber

Part Number	*ØD1	*Ød1	H	*L1
SU25-18-5DI-R	25.00	18.00	5.00	5.50
SU25-18-5.5DI-R	25.00	18.00	5.50	6.00
SU25-19-5DI-R	25.00	19.00	5.00	5.50
SU25.5-18.5-5.5DI-R	25.50	18.50	5.50	6.00
SU26-16-5DI-R	26.00	16.00	5.00	5.50
SU26-16-7DI-R	26.00	16.00	7.00	7.50
SU26-16-7.5DI-R	26.00	16.00	7.50	8.00
SU26-18-5.5DI-R	26.00	18.00	5.50	6.00
SU26-20-3.5DI-R	26.00	20.00	3.50	4.00
SU26-20-4.8DI-R	26.00	20.00	4.80	5.30
SU27-16-7.5DI-R	27.00	16.00	7.50	8.00
SU28-18-7DI-R	28.00	18.00	7.00	7.50
SU28-20-5.5DI-R	28.00	20.00	5.50	6.00
SU28-20-8DI-R	28.00	20.00	8.00	8.50
SU29-22-5.5DI-R	29.00	22.00	5.50	6.00
SU30-18-8.5DI-R	30.00	18.00	8.50	9.50
SU30-20-6DI-R	30.00	20.00	6.00	6.50
SU30-20-7DI-R	30.00	20.00	7.00	7.50
SU30-20-7.5DI-R	30.00	20.00	7.50	8.00
SU30-20-8DI-R	30.00	20.00	8.00	8.50
SU30-20-10DI-R	30.00	20.00	10.00	11.00
SU30-22-5.5DI-R	30.00	22.00	5.50	6.00
SU30-22-7DI-R	30.00	22.00	7.00	7.50
SU30-22-8DI-R	30.00	22.00	8.00	8.50
SU31-22-6DI-R	31.00	22.00	6.00	7.00
SU31-23-5.5DI-R	31.00	23.00	5.50	6.00
SU32-20-6DI-R	32.00	20.00	6.00	6.50
SU32-20-7DI-R	32.00	20.00	7.00	7.50
SU32-20-7.5DI-R	32.00	20.00	7.50	8.00
SU32-22-6DI-R	32.00	22.00	6.00	6.50
SU32-22-7DI-R	32.00	22.00	7.00	7.50
SU32-22-8DI-R	32.00	22.00	8.00	8.50
SU32-24-5.5DI-R	32.00	24.00	5.50	6.00
SU32-25-5.5DI-R	32.00	25.00	5.50	6.00
SU32-25-6DI-R	32.00	25.00	6.00	6.50
SU33-25-5.5DI-R	33.00	25.00	5.50	6.00
SU33-25-8DI-R	33.00	25.00	8.00	9.00
SU33-25-10DI-R	33.00	25.00	10.00	11.00
SU34-22-8.5DI-R	34.00	22.00	8.50	9.50
SU35-25-6DI-R	35.00	25.00	6.00	6.50

* Nominal Dimensions

Fluid **Power**

The Hydraulic Seal Specialists

**SU-DI-R**Metric **S**ingle Acting **U**-seal(**D**istributor **I**nternal) in **R**ubber

Part Number	*ØD1	*Ød1	H	*L1
SU35-25-7DI-R	35.00	25.00	7.00	7.50
SU35-25-7.5DI-R	35.00	25.00	7.50	8.00
SU35-25-8DI-R	35.00	25.00	8.00	8.50
SU35-25-10DI-R	35.00	25.00	10.00	11.00
SU36-25-8DI-R	36.00	25.00	8.00	8.50
SU36-26-7DI-R	36.00	26.00	7.00	7.50
SU36-28-5DI-R	36.00	28.00	5.00	5.50
SU36-28-5.5DI-R	36.00	28.00	5.50	6.00
SU37-25-6DI-P	37.00	25.00	6.00	6.50
SU37-25-8.5DI-P	37.00	25.00	8.50	9.50
SU38-28-6DI-R	38.00	28.00	6.00	6.50
SU38-28-7DI-R	38.00	28.00	7.00	7.50
SU38-28-10DI-R	38.00	28.00	10.00	11.00
SU38-28.3-6.5DI-R	38.00	28.30	6.50	7.50
SU38-30-5.5DI-R	38.00	30.00	5.50	6.00
SU38-30-6DI-R	38.00	30.00	6.00	6.50
SU38-30-6.3DI-R	38.00	30.00	6.30	6.80
SU38-30-7.5DI-R	38.00	30.00	7.50	8.00
SU38-30-8DI-R	38.00	30.00	8.00	8.50
SU40-25-10DI-R	40.00	25.00	10.00	11.00
SU40-28-8.5DI-R	40.00	28.00	8.50	9.50
SU40-30-6DI-R	40.00	30.00	6.00	6.50
SU40-30-7DI-R	40.00	30.00	7.00	7.50
SU40-30-8DI-R	40.00	30.00	8.00	8.50
SU42-22-10DI-R	42.00	22.00	10.00	11.00
SU42-30-8DI-R	42.00	30.00	8.00	8.50
SU42-30-8.5DI-R	42.00	30.00	8.50	9.00
SU42-32-7DI-R	42.00	32.00	7.00	7.50
SU43-33-7DI-R	43.00	33.00	7.00	7.50
SU43-35-6DI-R	43.00	35.00	6.00	6.50
SU43-35-8DI-R	43.00	35.00	8.00	8.50
SU44-34-7DI-R	44.00	34.00	7.00	7.50
SU45-32-10DI-R	45.00	32.00	10.00	11.00
SU45-35-6DI-R	45.00	35.00	6.00	6.50
SU45-35-7DI-R	45.00	35.00	7.00	7.50
SU45-35-8DI-R	45.00	35.00	8.00	8.50
SU45-35-10DI-R	45.00	35.00	10.00	11.00
SU46-34-8DI-R	46.00	34.00	8.00	9.00
SU46-36-7DI-R	46.00	36.00	7.00	7.50
SU46-36-8DI-R	46.00	36.00	8.00	8.50

333 * Nominal Dimensions

Fluid **Power**

The Hydraulic Seal Specialists

SU-DI-RMetric **S**ingle Acting **U**-seal (**D**istributor **I**nternal) in **R**ubber

Part Number	*ØD1	*Ød1	H	*L1
SU46-36-10DI-R	46.00	36.00	10.00	11.00
SU47-37-7DI-R	47.00	37.00	7.00	7.50
SU48-38-7DI-R	48.00	38.00	7.00	7.50
SU48-40-5.5DI-R	48.00	40.00	5.50	6.00
SU48-40-8DI-R	48.00	40.00	8.00	8.50
SU50-35-8DI-R	50.00	35.00	8.00	8.50
SU50-36-10DI-R	50.00	36.00	10.00	11.00
SU50-40-7DI-R	50.00	40.00	7.00	7.50
SU50-40-8DI-R	50.00	40.00	8.00	8.50
SU50-40-10DI-R	50.00	40.00	10.00	11.00
SU50-40-12DI-R	50.00	40.00	12.00	13.00
SU52-40-8.5DI-R	52.00	40.00	8.50	9.50
SU52-42-7DI-R	52.00	42.00	7.00	7.50
SU54-44-7DI-R	54.00	44.00	7.00	7.50
SU55-40-10DI-R	55.00	40.00	10.00	11.00
SU55-45-7DI-R	55.00	45.00	7.00	7.50
SU55-45-10DI-R	55.00	45.00	10.00	11.00
SU56-46-7DI-R	56.00	46.00	7.00	7.50
SU57-47-7DI-R	57.00	47.00	7.00	7.50
SU58-48-7DI-R	58.00	48.00	7.00	7.50
SU58-50-8DI-R	58.00	50.00	8.00	8.50
SU60-45-7DI-R	60.00	45.00	7.00	7.50
SU60-45-10DI-R	60.00	45.00	10.00	11.00
SU60-50-6DI-R	60.00	50.00	6.00	6.50
SU60-50-7DI-R	60.00	50.00	7.00	7.50
SU60-50-10DI-R	60.00	50.00	10.00	11.00
SU60-50-12DI-R	60.00	50.00	12.00	13.00
SU61-45-12DI-R	61.00	45.00	12.00	13.00
SU62-50-10DI-R	62.00	50.00	10.00	11.00
SU62-52-10DI-R	62.00	52.00	10.00	11.00
SU63-50-8.5DI-R	63.00	50.00	8.50	9.50
SU63-50-10DI-R	63.00	50.00	10.00	11.00
SU63-50-12DI-R	63.00	50.00	12.00	13.00
SU64-54-7DI-R	64.00	54.00	7.00	7.50
SU64-55-7.3DI-R	64.00	55.00	7.30	7.80
SU65-45-10DI-R	65.00	45.00	10.00	11.00
SU65-55-7DI-R	65.00	55.00	7.00	7.50
SU65-55-10DI-R	65.00	55.00	10.00	11.00
SU66-50-11DI-R	66.00	50.00	11.00	12.00
SU66-56-7DI-R	66.00	56.00	7.00	7.50

* Nominal Dimensions

Fluid **Power**

The Hydraulic Seal Specialists

**SU-DI-R**Metric **S**ingle Acting **U**-seal(**D**istributor **I**nternal) in **R**ubber

Part Number	*ØD1	*Ød1	H	*L1
SU68-55-10DI-R	68.00	55.00	10.00	11.00
SU68-56-7DI-R	68.00	56.00	7.00	7.50
SU68-56-8.5DI-R	68.00	56.00	8.50	9.50
SU68-58-7DI-R	68.00	58.00	7.00	7.50
SU70-55-10DI-R	70.00	55.00	10.00	11.00
SU70-56-12DI-R	70.00	56.00	12.00	13.00
SU70-60-8.5DI-R	70.00	60.00	8.50	9.50
SU70-60-10DI-R	70.00	60.00	10.00	11.00
SU70-60-12DI-R	70.00	60.00	12.00	13.00
SU71-59-7.5DI-R	71.00	59.00	7.50	8.00
SU72-60-8.5DI-R	72.00	60.00	8.50	9.50
SU73-60-10DI-R	73.00	60.00	10.00	11.00
SU73-63-6.5DI-R	73.00	63.00	6.50	7.00
SU73-63-7DI-R	73.00	63.00	7.00	7.50
SU74-60-8DI-R	74.00	60.00	8.00	8.50
SU75-60-12DI-R	75.00	60.00	12.00	13.00
SU75-63-8.5DI-R	75.00	63.00	8.50	9.50
SU76-50-16DI-R	76.00	50.00	16.00	17.00
SU76-64-7.5DI-R	76.00	64.00	7.50	8.00
SU76.2-50-16DI-R	76.20	50.00	16.00	17.00
SU77-65-8.5DI-R	77.00	65.00	8.50	9.50
SU80-60-14DI-R	80.00	60.00	14.00	15.00
SU80-63-16DI-R	80.00	63.00	16.00	17.00
SU80-68-8.5DI-R	80.00	68.00	8.50	9.50
SU80-70-12DI-R	80.00	70.00	12.00	13.00
SU82-70-8.5DI-R	82.00	70.00	8.50	9.50
SU85-70-10DI-R	85.00	70.00	10.00	11.00
SU85-75-12DI-R	85.00	75.00	12.00	13.00
SU87-75-8.5DI-R	87.00	75.00	8.50	9.50
SU90-80-7DI-R	90.00	80.00	7.00	7.50
SU90-80-12DI-R	90.00	80.00	12.00	13.00
SU92-80-7.5DI-R	92.00	80.00	7.50	8.00
SU92-80-8.5DI-R	92.00	80.00	8.50	9.50
SU92-80-9.5DI-R	92.00	80.00	9.50	10.50
SU93-80-10DI-R	93.00	80.00	10.00	11.00
SU95-85-7DI-R	95.00	85.00	7.00	7.50
SU95-85-12DI-R	95.00	85.00	12.00	13.00
SU97-85-8.5DI-R	97.00	85.00	8.50	9.50
SU100-80-14DI-R	100.00	80.00	14.00	15.00
SU100-80-16DI-R	100.00	80.00	16.00	17.00

335 * Nominal Dimensions

Fluid **Power**

The Hydraulic Seal Specialists

SU-DI-RMetric **S**ingle Acting **U**-seal (**D**istributor **I**nternal) in **R**ubber

Part Number	*ØD1	*Ød1	H	*L1
SU100-85-10DI-R	100.00	85.00	10.00	11.00
SU100-88-8.5DI-R	100.00	88.00	8.50	9.50
SU100-90-12DI-R	100.00	90.00	12.00	13.00
SU102-90-8.5DI-R	102.00	90.00	8.50	9.50
SU105-95-10DI-R	105.00	95.00	10.00	11.00
SU105-95-12DI-R	105.00	95.00	12.00	13.00
SU107-95-8.5DI-R	107.00	95.00	8.50	9.50
SU110-90-12DI-R	110.00	90.00	12.00	13.00
SU110-90-16DI-R	110.00	90.00	16.00	17.00
SU110-95-10DI-R	110.00	95.00	10.00	11.00
SU110-100-7DI-R	110.00	100.00	7.00	7.50
SU112-100-8.5DI-R	112.00	100.00	8.50	9.50
SU115-100-10DI-R	115.00	100.00	10.00	11.00
SU120-105-9DI-R	120.00	105.00	9.00	10.00
SU120-105-10DI-R	120.00	105.00	10.00	11.00
SU120-105-12DI-R	120.00	105.00	12.00	13.00
SU122-102-14DI-R	122.00	102.00	14.00	15.00
SU125-105-12DI-R	125.00	105.00	12.00	13.00
SU125-110-10DI-R	125.00	110.00	10.00	11.00
SU125-115-12DI-R	125.00	115.00	12.00	13.00
SU130-110-10DI-R	130.00	110.00	10.00	11.00
SU130-110-14DI-R	130.00	110.00	14.00	15.00
SU130-115-10DI-R	130.00	115.00	10.00	11.00
SU135-115-14DI-R	135.00	115.00	14.00	15.00
SU135-120-9.5DI-R	135.00	120.00	9.50	10.50
SU135-120-10DI-R	135.00	120.00	10.00	11.00
SU136-112-12DI-R	136.00	112.00	12.00	13.00
SU140-120-10DI-R	140.00	120.00	10.00	11.00
SU140-120-14DI-R	140.00	120.00	14.00	15.00
SU140-125-10DI-R	140.00	125.00	10.00	11.00
SU145-125-12DI-R	145.00	125.00	12.00	13.00
SU145-125-14DI-R	145.00	125.00	14.00	15.00
SU145-130-10DI-R	145.00	130.00	10.00	11.00
SU145-135-12DI-R	145.00	135.00	12.00	13.00
SU150-130-14DI-R	150.00	130.00	14.00	15.00
SU150-135-10DI-R	150.00	135.00	10.00	11.00
SU157-142-10DI-R	157.00	142.00	10.00	11.00
SU160-140-10DI-R	160.00	140.00	10.00	11.00
SU160-140-12DI-R	160.00	140.00	12.00	13.00
SU160-140-14DI-R	160.00	140.00	14.00	15.00

* Nominal Dimensions

Fluid **Power**

The Hydraulic Seal Specialists

**SU-DI-R**Metric **S**ingle Acting **U**-seal(**D**istributor **I**nternal) in **R**ubber

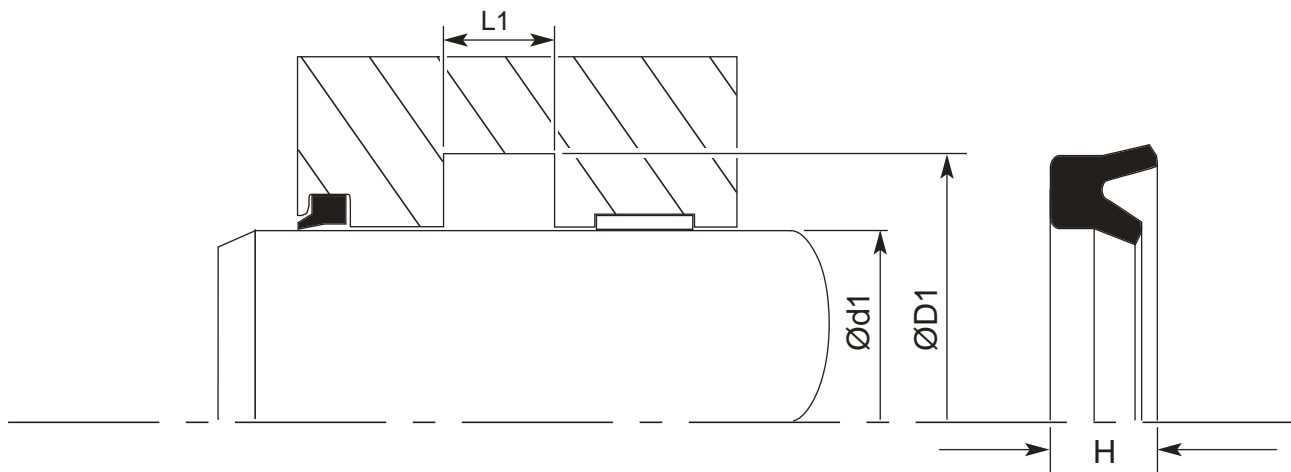
Part Number	*ØD1	*Ød1	H	*L1
SU165-140-14DI-R	165.00	140.00	14.00	15.00
SU165-145-13DI-R	165.00	145.00	13.00	14.00
SU165-155-12DI-R	165.00	155.00	12.00	13.00
SU170-150-14DI-R	170.00	150.00	14.00	15.00
SU170-155-10DI-R	170.00	155.00	10.00	11.00
SU170-160-12DI-R	170.00	160.00	12.00	13.00
SU175-155-14DI-R	175.00	155.00	14.00	15.00
SU176-154-15.5DI-R	176.00	154.00	15.50	16.50
SU180-160-14DI-R	180.00	160.00	14.00	15.00
SU184-160-15DI-R	184.00	160.00	15.00	16.00
SU188-166-15.5DI-R	188.00	166.00	15.50	16.50
SU190-170-14DI-R	190.00	170.00	14.00	15.00
SU194-170-15DI-R	194.00	170.00	15.00	16.00
SU195-185-12DI-R	195.00	185.00	12.00	13.00
SU200-180-14DI-R	200.00	180.00	14.00	15.00
SU210-185-17.5DI-R	210.00	185.00	17.50	18.50
SU210-190-14DI-R	210.00	190.00	14.00	15.00
SU215-185-20DI-R	215.00	185.00	20.00	21.00
SU220-200-14DI-R	220.00	200.00	14.00	15.00
SU225-215-12DI-R	225.00	215.00	12.00	13.00
SU230-200-15DI-R	230.00	200.00	15.00	16.00
SU230-210-14DI-R	230.00	210.00	14.00	15.00
SU235-200-21DI-R	235.00	200.00	21.00	22.00
SU240-210-28DI-R	240.00	210.00	28.00	29.00
SU250-220-20DI-R	250.00	220.00	20.00	21.00
SU250-225-14DI-R	250.00	225.00	14.00	15.00
SU250-240-12DI-R	250.00	240.00	12.00	13.00
SU265-235-21DI-R	265.00	235.00	21.00	22.00
SU270-240-20DI-R	270.00	240.00	20.00	21.00
SU290-245-25DI-R	290.00	245.00	25.00	26.00
SU290-260-21DI-R	290.00	260.00	21.00	22.00
SU310-280-20DI-R	310.00	280.00	20.00	21.00
SU350-320-20DI-R	350.00	320.00	20.00	21.00

Fluid Power

The Hydraulic Seal Specialists

SU-DI-R

Imperial **S**ingle Acting **U**-seal (**D**istributor **I**nternal) in **R**ubber



Tolerances

$\varnothing D1$	$\varnothing d1$	L1
H9	H8	+0.010/-0.00

Operating Conditions

The Operating conditions for this range of seals varies greatly depending on the manufacturer and the style of seal. Please consult the FPE sales team to ensure that the seal you are being offered is suitable for your requirements.

Manufactured from extremely wear resistant nitrile rubber, **SU-DI-R** is an asymmetrical seal specifically designed for rod applications. The sealing effect of the SU-DI-R is obtained due to the lip pre-compression when installed and the pressure effect on the lips.

Fluid **Power**

The Hydraulic Seal Specialists

**SU-DI-R**Imperial **S**ingle Acting **U**-seal (**D**istributor **I**nternal) in **R**ubber

Part Number	*ØD1	*Ød1	H	*L1
SU034012-015DI-R	0.343	0.125	0.156	0.219
SU043018-015DI-R	0.437	0.187	0.156	0.219
SU050025-015DI-R	0.500	0.250	0.156	0.219
SU056031-015DI-R	0.562	0.312	0.156	0.219
SU065037-015DI-R	0.650	0.375	0.156	0.219
SU068031-025DI-R	0.687	0.312	0.250	0.312
SU075043-015DI-R	0.750	0.437	0.156	0.219
SU081056-018DI-R	0.812	0.562	0.187	0.250
SU082050-020DI-R	0.828	0.500	0.200	0.281
SU087062-018DI-R	0.875	0.625	0.187	0.250
SU093037-033DI-R	0.937	0.375	0.325	0.406
SU093068-018DI-R	0.937	0.687	0.180	0.250
SU100075-018DI-R	1.000	0.750	0.187	0.219
SU112081-018DI-R	1.125	0.812	0.187	0.219
SU125087-018DI-R	1.250	0.875	0.187	0.219
SU131062-032DI-R	1.312	0.625	0.320	0.375
SU131100-018DI-R	1.312	1.000	0.187	0.250
SU143093-025DI-R	1.437	0.937	0.250	0.312
SU143106-025DI-R	1.437	1.062	0.250	0.312
SU150100-025DI-R	1.500	1.000	0.250	0.312
SU150118-025DI-R	1.500	1.187	0.250	0.312
SU160131-018DI-R	1.600	1.312	0.180	0.250
SU162112-031DI-R	1.625	1.125	0.312	0.375
SU168137-018DI-R	1.687	1.375	0.187	0.250
SU175100-036DI-R	1.750	1.000	0.360	0.421
SU175125-025DI-R	1.750	1.250	0.250	0.312
SU200125-044DI-R	2.000	1.250	0.440	0.500
SU200137-031DI-R	2.000	1.375	0.312	0.375
SU200143-031DI-R	2.000	1.437	0.312	0.375
SU200150-037DI-R	2.000	1.500	0.375	0.437
SU200162-021DI-R	2.000	1.625	0.219	0.281
SU212168-037DI-R	2.125	1.687	0.375	0.437
SU212175-021DI-R	2.125	1.750	0.215	0.271
SU220156-037DI-R	2.203	1.562	0.375	0.437
SU225175-031DI-R	2.250	1.750	0.312	0.375
SU237181-037DI-R	2.375	1.812	0.375	0.437
SU237200-021DI-R	2.375	2.000	0.215	0.271
SU250150-044DI-R	2.500	1.500	0.440	0.500
SU250187-037DI-R	2.500	1.875	0.375	0.437
SU250200-040DI-R	2.500	2.000	0.400	0.460

Fluid **Power**

The Hydraulic Seal Specialists

SU-DI-RImperial **S**ingle Acting **U**-seal (**D**istributor **I**nternal) in **R**ubber

Part Number	*ØD1	*Ød1	H	*L1
SU262193-037DI-R	2.625	1.937	0.375	0.437
SU275175-062DI-R	2.750	1.750	0.625	0.687
SU275212-037DI-R	2.750	2.125	0.375	0.437
SU275225-031DI-R	2.750	2.250	0.312	0.375
SU287200-043DI-R	2.875	2.000	0.437	0.500
SU293250-024DI-R	2.937	2.500	0.240	0.302
SU300200-062DI-R	3.000	2.000	0.625	0.687
SU300237-031DI-R	3.000	2.375	0.312	0.375
SU300250-031DI-R	3.000	2.500	0.312	0.375
SU312262-037DI-R	3.125	2.625	0.375	0.437
SU325287-037DI-R	3.250	2.875	0.375	0.437
SU343300-024DI-R	3.437	3.000	0.240	0.302
SU350275-037DI-R	3.500	2.750	0.375	0.437
SU350300-037DI-R	3.500	3.000	0.375	0.437
SU354275-037DI-R	3.547	2.750	0.375	0.437
SU375325-031DI-R	3.750	3.250	0.312	0.375
SU387312-043DI-R	3.875	3.125	0.437	0.500
SU387337-037DI-R	3.875	3.375	0.375	0.437
SU400350-037DI-R	4.000	3.500	0.375	0.437
SU418362-031DI-R	4.187	3.625	0.312	0.375
SU425387-037DI-R	4.250	3.875	0.375	0.437
SU437375-037DI-R	4.375	3.750	0.375	0.437
SU437400-022DI-R	4.375	4.000	0.225	0.281
SU500425-037DI-R	5.000	4.250	0.375	0.437
SU525475-031DI-R	5.250	4.750	0.312	0.375
SU537475-028DI-R	5.375	4.750	0.281	0.344
SU575500-050DI-R	5.750	5.000	0.500	0.562
SU600525-050DI-R	6.000	5.250	0.500	0.562
SU620550-028DI-R	6.200	5.500	0.281	0.344
SU650575-050DI-R	6.500	5.750	0.500	0.562
SU675600-037DI-R	6.750	6.000	0.375	0.437
SU700625-050DI-R	7.000	6.250	0.500	0.562
SU725650-050DI-R	7.250	6.500	0.500	0.562
SU750675-050DI-R	7.500	6.750	0.500	0.562
SU750700-028DI-R	7.500	7.000	0.281	0.344
SU800725-037DI-R	8.000	7.250	0.375	0.437
SU825750-050DI-R	8.250	7.500	0.500	0.562
SU850775-050DI-R	8.500	7.750	0.500	0.562
SU875800-050DI-R	8.750	8.000	0.500	0.562
SU900825-050DI-R	9.000	8.250	0.500	0.562

* Nominal Dimensions

Fluid **Power**

The Hydraulic Seal Specialists



SU-DI-R

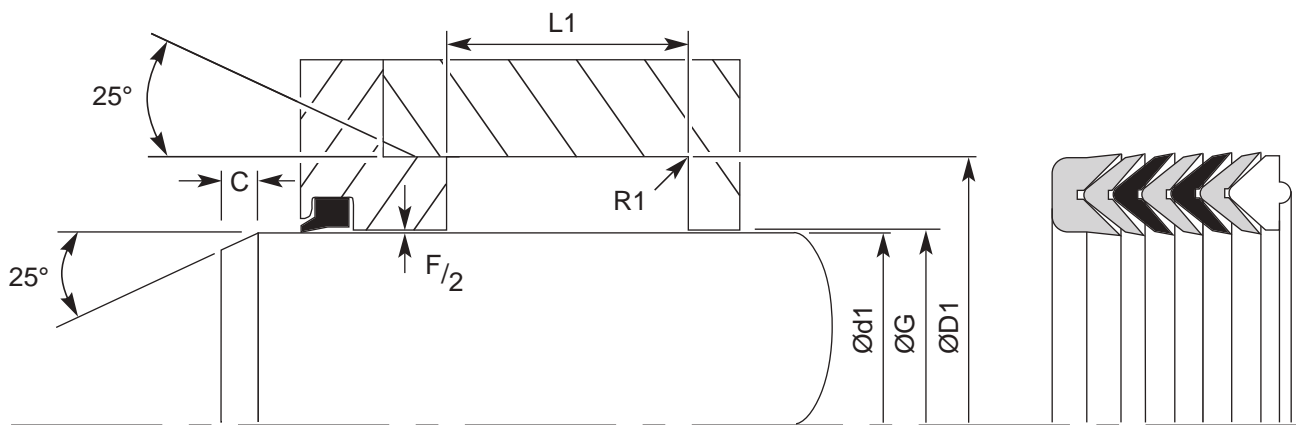
Imperial **S**ingle Acting **U**-seal (**D**istributor **I**nternal) in **R**ubber

Part Number	*ØD1	*Ød1	H	*L1
SU925850-050DI-R	9.250	8.500	0.500	0.562
SU950875-037DI-R	9.500	8.750	0.375	0.437
SU975900-050DI-R	9.750	9.000	0.500	0.562

Fluid Power

The Hydraulic Seal Specialists

VP Metric Vee Pack



Maximum Diametrical Clearance F

Pressure	Bar	100	200	300	400
Maximum Gap	mm	0.48	0.35	0.26	0.20

Tolerances

ØD1	Ød1	ØG	L1
H9	f8	H9	+0.20/ -0.00

Operating Conditions

Max Speed	Temp Range
m/s	-30° to 100°C
0.50	400 Bar

VP is designed for use as a single acting rod or piston seal. The seal consists of a female top adaptor and male bottom adaptor with a series of vee rings in between.

The number of intermediate rings varies in each assembly and the height of the set can be adjusted by adding or removing a number of vee rings.

Most of the components are manufactured from fabric reinforced nitrile rubber, however, in some cases some intermediate rings may be manufactured in rubber or polyurethane and top or bottom adaptors in polyacetal.

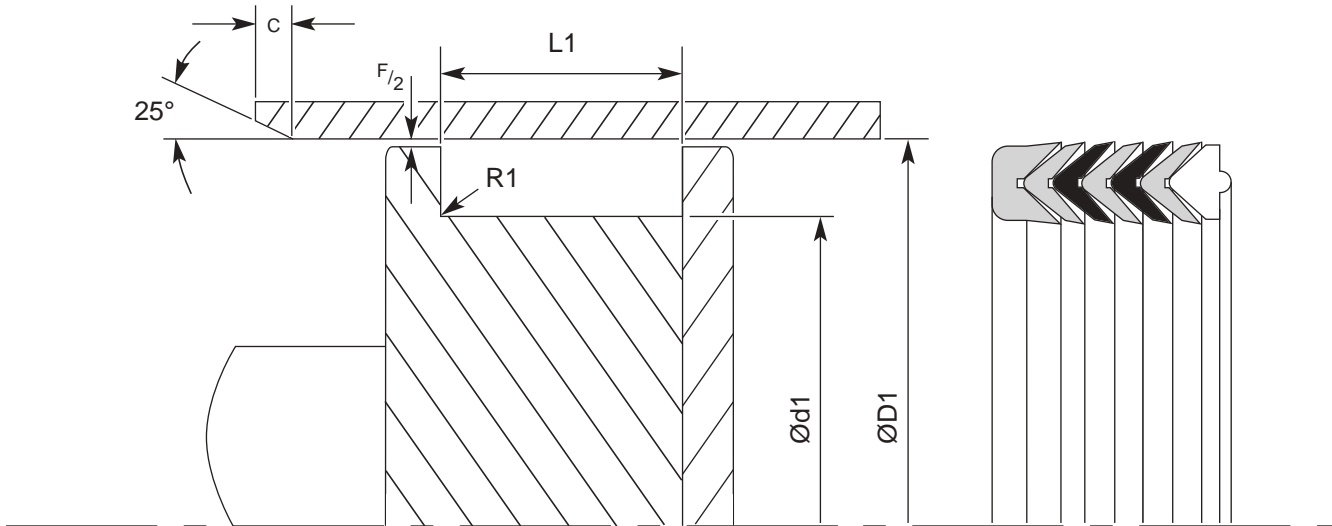
There are several designs available, please see page 344 and 345 for a selection of the range available.

Fluid Power

The Hydraulic Seal Specialists



VP Metric Vee Pack



Maximum Diametrical Clearance F

Pressure	Bar	100	200	300	400
Maximum Gap	mm	0.48	0.35	0.26	0.20

Tolerances

ØD1	Ød1	L1
H9	f8	+0.20/-0.00

Operating Conditions

Max Speed	Temp Range
m/s	-30° to 100°C
0.50	400 Bar

VP is designed for use as a single acting rod or piston seal. The seal consists of a female top adaptor and male bottom adaptor with a series of vee rings in between.

The number of intermediate rings varies in each assembly and the height of the set can be adjusted by adding or removing a number of vee rings.

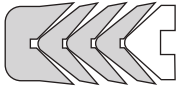
Most of the components are manufactured from fabric reinforced nitrile rubber, however, in some cases there may be some intermediate rings manufactured in rubber, polyurethane and or top and bottom adaptors in polyacetal.

There are several designs available, please see page 344 and 345 for a selection of the range available.

Fluid Power

The Hydraulic Seal Specialists

VP Metric Vee Pack



Standard **VP** consisting of top/bottom adaptors and fabric reinforced intermediate rings. Suitable for both rod and piston applications.

VP



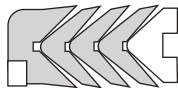
Same as standard **VP** but with extra intermediate rings manufactured in either nitrile or polyurethane to assist low pressure sealing. The male and female adaptors may be manufactured in either fabric reinforced nitrile or polyacetal.

VP



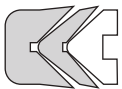
Designed for piston applications the **VP-EO** is the same as the standard **VP** but with an external anti-extrusion ring manufactured in polyacetal for larger clearances and higher pressure ranges. The male and female adaptors may be manufactured in either fabric reinforced nitrile or polyacetal.

VP-EO



Designed for rod applications the **VP-EI** is the same as the standard **VP** but with an internal anti-extrusion ring manufactured in polyacetal for larger clearances and higher pressure ranges. The male and female adaptor may be manufactured in either fabric reinforced nitrile or polyacetal.

VP-EI



Specifically designed for piston application this seal consists of a male/female adaptor and only one intermediate ring. Usually installed in pairs to provide an excellent double acting arrangement. The male and female adaptors may be manufactured in either fabric reinforced nitrile or polyacetal.

VP



VP-DR is available in two main designs, both of which have a pre-loaded male adaptor that will assist in low pressure sealing, whilst still having the strength and durability to operate at higher pressures. **VP-DR** requires a small axial clearance and should not be axially compressed. The female adaptor may be manufactured in either fabric reinforced nitrile or polyacetal.

VP-DR

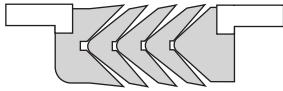
Fluid Power

The Hydraulic Seal Specialists



VP

Metric **V**ee **P**ack



VP-WO

Designed for piston applications the **VP-WO** is the same as the standard **VP** but with two external wear rings manufactured in polyacetal for larger clearances and higher pressure ranges. The male and female adaptors may be manufactured in either fabric reinforced nitrile or polyacetal. For details on the **VP-WO** range please contact the FPE sales team.

Fluid Power

Fluid Power

The Hydraulic Seal Specialists

VP

Metric Vee Pack



Part Number	*ØD1	*Ød1/		min C	max R1	No. of fabric V Rings	No. of Rubber/ Urethane V Rings
		*ØG	*L1				
VP14-6-14.5DR	14.00	6.00	14.50	5.00	0.30	1	-
VP16-8-14.5DR	16.00	8.00	14.50	5.00	0.30	1	-
VP18-8-14.5	18.00	8.00	14.50	5.00	0.30	3	-
VP18-8-18.5	18.00	8.00	18.50	5.00	0.30	3	2
VP19-9-14.5	19.00	9.00	14.50	5.00	0.30	3	-
VP20-10-9.3	20.00	10.00	9.30	5.00	0.30	1	-
VP20-10-11	20.00	10.00	11.00	5.00	0.30	2	1
VP20-10-16DR	20.00	10.00	16.00	5.00	0.30	1	-
VP20-10-18.5	20.00	10.00	18.50	5.00	0.30	3	2
VP21-11-14.5	21.00	11.00	14.50	5.00	0.30	3	-
VP22-12-9.3	22.00	12.00	9.30	5.00	0.30	1	-
VP22-12-14.5	22.00	12.00	14.50	5.00	0.30	3	-
VP22-12-16	22.00	12.00	16.00	5.00	0.30	3	-
VP22-12-16DR	22.00	12.00	16.00	5.00	0.30	1	-
VP22-12-18.5	22.00	12.00	18.50	5.00	0.30	3	2
VP22-15-10DR	22.00	15.00	10.00	5.00	0.30	2	-
VP23-13-14.5	23.00	13.00	14.50	5.00	0.30	3	-
VP24-14-14.5	24.00	14.00	14.50	5.00	0.30	3	-
VP24-14-16	24.00	14.00	16.00	5.00	0.30	3	-
VP24-14-16DR	24.00	14.00	16.00	5.00	0.30	1	-
VP24-14-18.5	24.00	14.00	18.50	5.00	0.30	3	2
VP25-12-14	25.00	12.00	14.07	5.00	0.30	3	-
VP25-13.5-16.5	25.00	13.50	16.50	5.00	0.30	3	2
VP25-15-9.3	25.00	15.00	9.30	5.00	0.30	1	-
VP25-15-16	25.00	15.00	16.00	5.00	0.30	3	-
VP25-15-18.5	25.00	15.00	18.50	5.00	0.30	3	2
VP26-13-18.5	26.00	13.00	18.50	5.00	0.30	3	-
VP26-16-16	26.00	16.00	16.00	5.00	0.30	3	-
VP26-16-16DR	26.00	16.00	16.00	5.00	0.30	1	-
VP26-16-18.5	26.00	16.00	18.50	5.00	0.30	3	2
VP27-14-14	27.00	14.00	14.07	5.00	0.30	3	-
VP27-14-18.5	27.00	14.00	18.50	5.00	0.30	3	-
VP28-15-18.5	28.00	15.00	18.50	5.00	0.30	3	-
VP28-18-9.3	28.00	18.00	9.30	5.00	0.30	1	-
VP28-18-16	28.00	18.00	16.00	5.00	0.30	3	-
VP28-18-16DR	28.00	18.00	16.00	5.00	0.30	1	-
VP28-18-18.5	28.00	18.00	18.50	5.00	0.30	3	2
VP29-16-14	29.00	16.00	14.07	5.00	0.30	3	-
VP30-17-18.5	30.00	17.00	18.50	5.00	0.30	3	-
VP30-20-9.3	30.00	20.00	9.30	5.00	0.30	1	-

* Nominal Dimensions

Fluid Power

The Hydraulic Seal Specialists



VP Metric Vee Pack

Part Number	*ØD1	*Ød1/		min C	max R1	No. of fabric V Rings	No. of Rubber/ Urethane V Rings
		*ØG	*L1				
VP30-20-15.7	30.00	20.00	15.70	5.00	0.30	2	-
VP30-20-16	30.00	20.00	16.00	5.00	0.30	3	-
VP30-20-16DR	30.00	20.00	16.00	5.00	0.30	1	-
VP30-20-18.5	30.00	20.00	18.50	5.00	0.30	3	2
VP31-18-14	31.00	18.00	14.07	5.00	0.30	3	-
VP31-18-18.5	31.00	18.00	18.50	5.00	0.30	3	-
VP31.5-20-17	31.50	20.00	17.25	5.00	0.30	2	1
VP32-15-25	32.00	15.00	25.00	5.00	0.30	3	2
VP32-19-18.5	32.00	19.00	18.50	5.00	0.30	3	-
VP32-20-10.9	32.00	20.00	10.90	5.00	0.30	1	-
VP32-20-16.5	32.00	20.00	16.50	5.00	0.30	2	1
VP32-20-18.5	32.00	20.00	18.50	5.00	0.30	3	-
VP32-20-18.5DR	32.00	20.00	18.50	5.00	0.30	2	-
VP32-20-20	32.00	20.00	20.00	5.00	0.30	2	-
VP32-20-22.5	32.00	20.00	22.50	5.00	0.30	3	2
VP32-22-16	32.00	22.00	16.00	5.00	0.30	3	-
VP32-22-16DR	32.00	22.00	16.00	5.00	0.30	1	-
VP32-22-18.5	32.00	22.00	18.50	5.00	0.30	3	2
VP32-22-18.7	32.00	22.00	18.70	5.00	0.30	3	-
VP33-20-14	33.00	20.00	14.07	5.00	0.30	3	-
VP33-20-18.5	33.00	20.00	18.50	5.00	0.30	3	-
VP34-21-18.5	34.00	21.00	18.50	5.00	0.30	3	-
VP34-22-22.5	34.00	22.00	22.50	5.00	0.30	3	2
VP35-22-18.5	35.00	22.00	18.50	5.00	0.30	3	-
VP35-23-10.9	35.00	23.00	10.90	5.00	0.30	1	-
VP35-25-16DR	35.00	25.00	16.00	5.00	0.30	1	-
VP35-25-17	35.00	25.00	17.05	5.00	0.30	3	-
VP35-25-19.6	35.00	25.00	19.60	5.00	0.30	2	2
VP36-20-24	36.00	20.00	23.75	5.00	0.30	3	-
VP36-23-18.5	36.00	23.00	18.50	5.00	0.30	3	-
VP36-24-10.9	36.00	24.00	10.90	5.00	0.30	1	-
VP37-24-18.5	37.00	24.00	18.50	5.00	0.30	3	-
VP37-25-16.5	37.00	25.00	16.50	5.00	0.30	2	1
VP37-25-19DR	37.00	25.00	19.00	5.00	0.30	2	-
VP37-25-22.5	37.00	25.00	22.50	5.00	0.30	3	2
VP38-22-26	38.00	22.00	25.75	5.00	0.30	3	-
VP38-25-18.5	38.00	25.00	18.50	5.00	0.30	3	-
VP39-23-29	39.00	23.00	29.00	5.00	0.30	3	-
VP40-24-29	40.00	24.00	29.00	5.00	0.30	3	-
VP40-25-11.5	40.00	25.00	11.50	5.00	0.30	1	-

347 * Nominal Dimensions

Fluid Power

The Hydraulic Seal Specialists

VP

Metric Vee Pack



Part Number	*ØD1	*Ød1/ *ØG	*L1	min C	max R1	No. of fabric V Rings	No. of Rubber/ Urethane V Rings
VP40-25-16.5	40.00	25.00	16.50	5.00	0.30	2	1
VP40-25-19.5	40.00	25.00	19.50	5.00	0.30	3	-
VP40-25-22.5	40.00	25.00	22.50	5.00	0.30	3	2
VP40-25-22.5DR	40.00	25.00	22.50	5.00	0.30	2	-
VP40-28-16.5	40.00	28.00	16.50	5.00	0.30	2	1
VP40-28-17	40.00	28.00	17.00	5.00	0.30	3	-
VP40-28-22.5	40.00	28.00	22.50	5.00	0.30	3	2
VP40-30-18.5	40.00	30.00	18.50	5.00	0.30	3	2
VP40-30-21.5	40.00	30.00	21.80	5.00	0.30	2	1
VP40-30-21.5EI	40.00	30.00	21.55	5.00	0.30	2	1
VP41-25-29	41.00	25.00	29.00	5.00	0.30	3	-
VP42-25-25	42.00	25.00	25.15	5.00	0.30	2	1
VP42-26-29	42.00	26.00	29.00	5.00	0.30	3	-
VP42-27-11.5	42.00	27.00	11.50	5.00	0.30	1	-
VP42-30-16.5	42.00	30.00	16.50	5.00	0.30	2	1
VP42-30-20	42.00	30.00	19.75	5.00	0.30	3	-
VP42-30-22.5	42.00	30.00	22.50	5.00	0.30	3	2
VP42-32-17	42.00	32.00	17.05	5.00	0.30	2	1
VP43-27-29	43.00	27.00	29.00	5.00	0.30	3	-
VP43-28-22.5	43.00	28.00	22.50	5.00	0.30	3	-
VP43-28-25DR	43.00	28.00	25.00	5.00	0.30	1	-
VP43.5-27.5-18	43.50	27.50	18.25	5.00	0.30	1	-
VP44-28-17.5	44.00	28.00	17.37	5.00	0.30	3	-
VP44-28-24EI	44.00	28.00	23.75	5.00	0.30	3	-
VP44-28-29	44.00	28.00	29.00	5.00	0.30	3	-
VP44-32-16.5	44.00	32.00	16.50	5.00	0.30	2	1
VP44-32-22.5	44.00	32.00	22.50	5.00	0.30	3	2
VP45-25-25	45.00	25.00	25.15	5.00	0.30	3	-
VP45-26-29	45.00	26.00	29.00	5.00	0.30	3	-
VP45-29-29	45.00	29.00	29.00	5.00	0.30	3	-
VP45-30-11.5	45.00	30.00	11.50	5.00	0.30	1	-
VP45-30-16.5	45.00	30.00	16.50	5.00	0.30	2	1
VP45-30-22EI	45.00	30.00	22.00	5.00	0.30	3	-
VP45-30-22.5	45.00	30.00	22.50	5.00	0.30	3	2
VP45-30-22.5DR	45.00	30.00	22.50	5.00	0.30	2	2
VP45-35-17.5	45.00	35.00	17.50	5.00	0.30	3	-
VP45-35-21.5	45.00	35.00	21.53	5.00	0.30	3	-
VP46-30-29	46.00	30.00	29.00	5.00	0.30	3	-
VP47-31-29	47.00	31.00	29.00	5.00	0.30	3	-
VP47-32-22.5	47.00	32.00	22.50	5.00	0.30	3	2

* Nominal Dimensions

Fluid Power

The Hydraulic Seal Specialists



VP Metric Vee Pack

Part Number	*ØD1	*Ød1/ *ØG	*L1	min C	max R1	No. of fabric V Rings	No. of Rubber/ Urethane V Rings
VP47-32-22.5DR	47.00	32.00	22.50	5.00	0.30	2	-
VP47-32-25DR	47.00	32.00	25.00	5.00	0.30	1	-
VP47-35-16.5	47.00	35.00	16.50	5.00	0.30	2	1
VP47-35-22.5	47.00	35.00	22.50	5.00	0.30	3	2
VP48-32-17.5	48.00	32.00	17.38	5.00	0.30	3	-
VP48-32-17E1	48.00	32.00	17.38	5.00	0.30	3	-
VP48-32-29	48.00	32.00	29.00	5.00	0.30	3	-
VP48-35-18.5	48.00	35.00	18.50	5.00	0.30	5	-
VP48-36-16.5	48.00	36.00	16.50	5.00	0.30	2	1
VP48-36-22.5	48.00	36.00	22.50	5.00	0.30	3	2
VP49-33-29	49.00	33.00	29.00	5.00	0.30	3	-
VP50-30-29	50.00	30.00	29.40	5.00	0.30	3	-
VP50-34-29	50.00	34.00	29.00	5.00	0.30	3	-
VP50-35-11.5	50.00	35.00	11.50	5.00	0.30	1	-
VP50-35-16.5	50.00	35.00	16.50	5.00	0.30	2	1
VP50-35-22	50.00	35.00	22.00	5.00	0.30	4	-
VP50-35-22.5	50.00	35.00	22.50	5.00	0.30	3	2
VP50-35-22.5DR	50.00	35.00	22.50	5.00	0.30	2	-
VP50-40-17	50.00	40.00	17.05	5.00	0.30	3	-
VP51-35-29	51.00	35.00	29.00	5.00	0.30	3	-
VP51-36-22.5	51.00	36.00	22.50	5.00	0.30	3	2
VP51-36-25	51.00	36.00	25.00	5.00	0.30	3	-
VP52-36-17.6	52.00	36.00	17.35	5.00	0.30	2	1
VP52-36-29	52.00	36.00	29.00	5.00	0.30	3	-
VP52-40-16.5	52.00	40.00	16.50	5.00	0.30	2	1
VP52-40-22.5	52.00	40.00	22.50	5.00	0.30	3	2
VP53-37-29	53.00	37.00	29.00	5.00	0.30	3	-
VP54-38-29	54.00	38.00	29.00	5.00	0.30	3	-
VP54-42-16.5	54.00	42.00	16.50	5.00	0.30	2	1
VP54-42-22.5	54.00	42.00	22.50	5.00	0.30	3	2
VP55-38-28	55.00	38.00	27.75	5.00	0.30	2	1
VP55-39-25	55.00	39.00	25.15	5.00	0.30	3	-
VP55-39-29	55.00	39.00	29.00	5.00	0.30	3	-
VP55-40-11	55.00	40.00	11.00	5.00	0.30	1	-
VP55-40-16.5	55.00	40.00	16.50	5.00	0.30	2	1
VP55-40-22.5	55.00	40.00	22.50	5.00	0.30	3	2
VP55-40-22.5DR	55.00	40.00	22.50	5.00	0.30	2	-
VP55-40-25DR	55.00	40.00	25.00	5.00	0.30	1	-
VP55-40-26	55.00	40.00	25.94	5.00	0.30	3	-
VP55-40-27.8	55.00	40.00	27.80	5.00	0.30	3	1

Fluid Power

The Hydraulic Seal Specialists

VP

Metric Vee Pack



Part Number	*ØD1	*Ød1/		min C	max R1	No. of fabric V Rings	No. of Rubber/ Urethane V Rings
		*ØG	*L1				
VP55-45-17	55.00	45.00	17.25	5.00	0.30	3	-
VP56-40-17.6	56.00	40.00	17.38	5.00	0.30	2	1
VP56-40-29	56.00	40.00	29.00	5.00	0.30	3	-
VP56-41-11.5	56.00	41.00	11.50	5.00	0.30	1	-
VP57-41-29	57.00	41.00	29.00	5.00	0.30	3	-
VP57-42-22.5	57.00	42.00	22.50	5.00	0.30	3	2
VP58-42-29	58.00	42.00	29.00	5.00	0.30	3	-
VP59-43-29	59.00	43.00	29.00	5.00	0.30	3	-
VP60-40-30	60.00	40.00	30.00	5.00	0.30	3	-
VP60-44-29	60.00	44.00	29.00	5.00	0.30	3	-
VP60-45-11.5	60.00	45.00	11.50	5.00	0.30	1	-
VP60-45-16.5	60.00	45.00	16.50	5.00	0.30	2	1
VP60-45-22EI	60.00	45.00	21.97	5.00	0.30	2	1
VP60-45-22.5	60.00	45.00	22.50	5.00	0.30	3	2
VP60-45-22.5DR	60.00	45.00	22.50	5.00	0.30	2	-
VP60-45-25DR	60.00	45.00	25.00	5.00	0.30	1	-
VP60-48-25	60.00	48.00	24.75	5.00	0.30	2	1
VP61-45-29	61.00	45.00	29.00	5.00	0.30	3	-
VP61-45-31	61.00	45.00	31.00	5.00	0.30	2	1
VP62-46-29	62.00	46.00	29.00	5.00	0.30	3	-
VP62-48-22EI	62.00	48.00	22.00	5.00	0.30	2	1
VP63-47-29	63.00	47.00	29.00	5.00	0.30	3	-
VP63-48-13	63.00	48.00	13.00	5.00	0.30	1	-
VP63-48-22.5	63.00	48.00	22.50	5.00	0.30	3	-
VP63-50-23DR	63.00	50.00	23.25	5.00	0.30	3	-
VP64-48-29	64.00	48.00	29.00	5.00	0.30	3	-
VP65-40-35.5	65.00	40.00	35.47	5.00	0.30	2	1
VP65-45-20.5	65.00	45.00	20.50	5.00	0.30	2	1
VP65-45-22.5	65.00	45.00	22.50	5.00	0.30	3	2
VP65-45-27.5	65.00	45.00	27.50	5.00	0.30	3	2
VP65-45-28EI	65.00	45.00	27.75	5.00	0.30	2	1
VP65-45-37	65.00	45.00	37.00	5.00	0.30	5	-
VP65-47-33	65.00	47.00	33.00	5.00	0.30	3	2
VP65-49-29	65.00	49.00	29.00	5.00	0.30	3	-
VP65-50-16.5	65.00	50.00	16.50	5.00	0.30	2	1
VP65-50-22.5	65.00	50.00	22.50	5.00	0.30	3	2
VP65-50-24.5	65.00	50.00	24.50	5.00	0.30	3	-
VP65-50-24.5DR	65.00	50.00	24.50	5.00	0.30	2	-
VP65-50-24.5EI	65.00	50.00	24.50	5.00	0.30	3	-
VP65-50-25DR	65.00	50.00	25.00	5.00	0.30	1	-

* Nominal Dimensions

Fluid Power

The Hydraulic Seal Specialists



VP Metric Vee Pack

Part Number	*ØD1	*Ød1/		min C	max R1	No. of fabric V Rings	No. of Rubber/ Urethane V Rings
		*ØG	*L1				
VP65-50-26EI	65.00	50.00	25.75	5.00	0.30	2	1
VP65-50-30	65.00	50.00	30.00	5.00	0.30	5	-
VP66-50-29	66.00	50.00	29.00	5.00	0.30	3	-
VP67-50-27	67.00	50.00	27.10	5.00	0.30	2	1
VP67-55-25	67.00	55.00	24.75	5.00	0.30	2	1
VP69-51-28	69.00	51.00	27.75	5.00	0.30	2	1
VP70-50-15.2	70.00	50.00	15.20	5.00	0.30	1	-
VP70-50-22	70.00	50.00	22.00	5.00	0.30	3	-
VP70-50-30	70.00	50.00	30.00	5.00	0.30	3	2
VP70-50-30DR	70.00	50.00	30.00	5.00	0.30	2	-
VP70-50-30EI	70.00	50.00	30.00	5.00	0.30	3	-
VP70-50-31	70.00	50.00	31.00	5.00	0.30	5	-
VP70-50-35	70.00	50.00	35.00	5.00	0.30	2	2
VP70-50-40	70.00	50.00	40.00	5.00	0.30	4	-
VP70-55-16.5	70.00	55.00	16.50	5.00	0.30	2	1
VP70-55-22.5	70.00	55.00	22.50	5.00	0.30	3	2
VP70-55-22.5DR	70.00	55.00	22.50	5.00	0.30	2	-
VP70-55-26.5	70.00	55.00	26.25	5.00	0.30	2	1
VP70-55-26.5EI	70.00	55.00	26.25	5.00	0.30	2	1
VP71-56-17	71.00	56.00	16.75	5.00	0.30	2	1
VP71-56-22.5	71.00	56.00	22.50	5.00	0.30	3	2
VP71-56-29DR	71.00	56.00	28.97	5.00	0.30	3	-
VP72-52-32EI	72.00	52.00	32.25	5.00	0.30	2	1
VP72-52-35	72.00	52.00	35.00	5.00	0.30	3	-
VP72-56-49	72.00	56.00	49.00	5.00	0.30	3	2
VP75-55-22	75.00	55.00	22.00	5.00	0.30	2	1
VP75-55-26	75.00	55.00	26.00	5.00	0.30	3	-
VP75-55-30	75.00	55.00	30.00	5.00	0.30	3	-
VP75-55-30DR	75.00	55.00	30.00	5.00	0.30	2	-
VP75-55-31EI	75.00	55.00	30.75	5.00	0.30	2	1
VP75-55-35	75.00	55.00	35.00	5.00	0.30	3	-
VP75-55-37.5	75.00	55.00	37.50	5.00	0.30	3	-
VP75-60-16.5	75.00	60.00	16.50	5.00	0.30	2	1
VP75-60-19EI	75.00	60.00	18.75	5.00	0.30	2	1
VP75-60-22.5	75.00	60.00	22.50	5.00	0.30	3	2
VP75-60-25DR	75.00	60.00	25.00	5.00	0.30	2	-
VP76-56-22	76.00	56.00	21.70	5.00	0.30	3	-
VP76-56-23	76.00	56.00	23.15	5.00	0.30	2	1
VP76-56-30DR	76.00	56.00	30.00	5.00	0.30	2	-
VP76-56-32	76.00	56.00	32.00	5.00	0.30	3	-

351 * Nominal Dimensions

Fluid Power

The Hydraulic Seal Specialists

VP

Metric Vee Pack



Part Number	*ØD1	*Ød1/ *ØG	*L1	min C	max R1	No. of fabric V Rings	No. of Rubber/ Urethane V Rings
VP76-56-32DR	76.00	56.00	32.00	5.00	0.30	1	-
VP76-56-33	76.00	56.00	33.15	5.00	0.30	2	1
VP76-56-35	76.00	56.00	35.00	5.00	0.30	3	-
VP76-56-37	76.00	56.00	37.00	5.00	0.30	3	2
VP76-60-29	76.00	60.00	29.00	5.00	0.30	3	-
VP76-60-29EI	76.00	60.00	28.75	5.00	0.30	2	1
VP77-57-35	77.00	57.00	35.00	5.00	0.30	3	-
VP77-60-27	77.00	60.00	26.75	5.00	0.30	3	-
VP77-65-21	77.00	65.00	21.00	5.00	0.30	3	2
VP78-63-16.5	78.00	63.00	16.50	5.00	0.30	2	1
VP78-63-22.5	78.00	63.00	22.50	5.00	0.30	3	2
VP78-63.5-40	78.00	63.50	40.00	5.00	0.30	3	2
VP79-60-31.5	79.00	60.00	31.50	5.00	0.30	2	1
VP80-55-34	80.00	55.00	33.50	5.00	0.30	3	-
VP80-60-15.2	80.00	60.00	15.20	5.00	0.30	1	-
VP80-60-26	80.00	60.00	26.00	5.00	0.30	3	-
VP80-60-27	80.00	60.00	27.00	5.00	0.30	2	1
VP80-60-29.5	80.00	60.00	29.50	5.00	0.30	2	-
VP80-60-29.5DR	80.00	60.00	29.50	5.00	0.30	2	-
VP80-60-30DR	80.00	60.00	30.00	5.00	0.30	2	-
VP80-60-30EI	80.00	60.00	29.75	5.00	0.30	2	1
VP80-60-31	80.00	60.00	31.00	5.00	0.30	4	-
VP80-60-32	80.00	60.00	32.00	5.00	0.30	4	-
VP80-60-32DR	80.00	60.00	32.00	5.00	0.30	2	-
VP80-60-32EI	80.00	60.00	31.75	5.00	0.30	2	1
VP80-60-32EO	80.00	60.00	31.75	5.00	0.30	3	-
VP80-60-35	80.00	60.00	35.00	5.00	0.30	3	-
VP80-60-37	80.00	60.00	37.00	5.00	0.30	3	2
VP80-63.5-28	80.00	63.50	28.00	5.00	0.30	3	-
VP80-64-25	80.00	64.00	25.55	5.00	0.30	2	1
VP80-65-16.5	80.00	65.00	16.50	5.00	0.30	2	1
VP80-65-22.5	80.00	65.00	22.50	5.00	0.30	3	2
VP80-65-26EI	80.00	65.00	25.75	5.00	0.30	2	1
VP82-62-35	82.00	62.00	35.00	5.00	0.30	3	-
VP83-63-22	83.00	63.00	21.70	5.00	0.30	2	1
VP83-63-29DR	83.00	63.00	29.00	5.00	0.30	2	-
VP83-63-30DR	83.00	63.00	30.00	5.00	0.30	2	-
VP83-63-32	83.00	63.00	32.00	5.00	0.30	3	-
VP83-63-35	83.00	63.00	35.00	5.00	0.30	3	-
VP83-63-37	83.00	63.00	37.00	5.00	0.30	3	2

* Nominal Dimensions

Fluid Power

The Hydraulic Seal Specialists



VP Metric Vee Pack

Part Number	*ØD1	*Ød1/ *ØG	*L1	min C	max R1	No. of fabric V Rings	No. of Rubber/ Urethane V Rings
VP83-70-25EI	83.00	70.00	24.75	5.00	0.30	2	1
VP85-60-37	85.00	60.00	37.00	5.00	0.30	3	2
VP85-63-32EI	85.00	63.00	31.75	5.00	0.30	2	1
VP85-65-29	85.00	65.00	28.75	5.00	0.30	3	-
VP85-65-29EI	85.00	65.00	28.75	5.00	0.30	2	1
VP85-65-30	85.00	65.00	30.00	5.00	0.30	3	-
VP85-65-30DR	85.00	65.00	30.00	5.00	0.30	2	-
VP85-65-40	85.00	65.00	40.00	5.00	0.30	3	2
VP85-66.3-24	85.00	66.30	23.88	5.00	0.30	2	1
VP85-70-16.5	85.00	70.00	16.50	5.00	0.30	2	1
VP85-70-22.5	85.00	70.00	22.50	5.00	0.30	3	2
VP85-70-24DR	85.00	70.00	24.00	5.00	0.30	2	-
VP85-70-28	85.00	70.00	27.75	5.00	0.30	2	1
VP87-67-35	87.00	67.00	35.00	5.00	0.30	3	-
VP89-70-23	89.00	70.00	23.00	5.00	0.30	2	1
VP90-65-30	90.00	65.00	30.00	5.00	0.30	3	-
VP90-70-21	90.00	70.00	21.20	5.00	0.30	1	-
VP90-70-21.5	90.00	70.00	21.70	5.00	0.30	3	-
VP90-70-30	90.00	70.00	30.00	5.00	0.30	3	-
VP90-70-30DR	90.00	70.00	30.00	5.00	0.30	2	-
VP90-70-30EI	90.00	70.00	29.75	5.00	0.30	2	1
VP90-70-30EO	90.00	70.00	29.75	5.00	0.30	3	-
VP90-70-31.5	90.00	70.00	31.50	5.00	0.30	3	-
VP90-70-32DR	90.00	70.00	32.00	5.00	0.30	1	-
VP90-70-32EI	90.00	70.00	31.75	5.00	0.30	2	1
VP90-70-32.5	90.00	70.00	32.50	5.00	0.30	3	2
VP90-70-35	90.00	70.00	35.00	5.00	0.30	4	-
VP90-70-35DR	90.00	70.00	35.00	5.00	0.30	3	-
VP90-70-40	90.00	70.00	40.00	5.00	0.30	3	2
VP90-72-30	90.00	72.00	29.91	5.00	0.30	2	1
VP90-75-16.5	90.00	75.00	16.50	5.00	0.30	2	1
VP90-75-22.5	90.00	75.00	22.50	5.00	0.30	3	2
VP90-75-29.5	90.00	75.00	29.50	5.00	0.30	2	1
VP92-72-35	92.00	72.00	35.00	5.00	0.30	3	-
VP95-75-30	95.00	75.00	30.00	5.00	0.30	3	2
VP95-75-30DR	95.00	75.00	30.00	5.00	0.30	2	-
VP95-75-30EI	95.00	75.00	29.75	5.00	0.30	2	1
VP95-75-35DR	95.00	75.00	35.00	5.00	0.30	3	-
VP95-75-40	95.00	75.00	40.00	5.00	0.30	3	2
VP95-80-16.5	95.00	80.00	16.50	5.00	0.30	2	1

353 * Nominal Dimensions

Fluid Power

The Hydraulic Seal Specialists

VP

Metric Vee Pack



Part Number	*ØD1	*Ød1/ *ØG	*L1	min C	max R1	No. of fabric V Rings	No. of Rubber/ Urethane V Rings
VP95-80-17.5	95.00	80.00	17.50	5.00	0.30	3	-
VP95-80-22.5	95.00	80.00	22.50	5.00	0.30	3	-
VP95-80-26.5	95.00	80.00	26.50	5.00	0.30	3	2
VP96.5-76.5-32.5EI	96.50	76.50	32.50	5.00	0.30	2	2
VP97-77-35	97.00	77.00	35.00	5.00	0.30	3	-
VP97-81-22.5DR	97.00	81.00	22.50	5.00	0.30	2	-
VP98-78-27	98.00	78.00	27.00	5.00	0.30	3	-
VP100-75-30	100.00	75.00	30.00	7.00	0.30	3	-
VP100-75-37	100.00	75.00	37.25	7.00	0.30	2	1
VP100-80-21	100.00	80.00	21.20	7.00	0.30	1	-
VP100-80-27	100.00	80.00	27.00	7.00	0.30	3	-
VP100-80-30	100.00	80.00	30.00	7.00	0.30	2	1
VP100-80-30DR	100.00	80.00	30.00	7.00	0.30	2	-
VP100-80-30EI	100.00	80.00	29.75	7.00	0.30	2	1
VP100-80-30EO	100.00	80.00	29.75	7.00	0.30	2	1
VP100-80-31.5	100.00	80.00	31.50	7.00	0.30	2	1
VP100-80-32	100.00	80.00	32.00	7.00	0.30	3	-
VP100-80-32DR	100.00	80.00	32.00	7.00	0.30	1	-
VP100-80-32EI	100.00	80.00	31.75	7.00	0.30	2	1
VP100-80-35	100.00	80.00	35.00	7.00	0.30	3	-
VP100-80-35DR	100.00	80.00	35.00	7.00	0.30	3	-
VP100-80-40	100.00	80.00	40.00	7.00	0.30	3	2
VP100-80-41.5	100.00	80.00	41.50	7.00	0.30	3	2
VP100-85-17	100.00	85.00	17.05	7.00	0.30	3	-
VP100-85-22.5	100.00	85.00	22.50	7.00	0.30	3	2
VP101-87-30	101.00	87.00	30.00	7.00	0.30	3	2
VP102-82-35	102.00	82.00	35.00	7.00	0.30	3	-
VP105-80-27.4	105.00	80.00	27.40	7.00	0.30	3	-
VP105-80-32	105.00	80.00	32.40	7.00	0.30	4	-
VP105-80-44	105.00	80.00	44.00	7.00	0.30	3	-
VP105-85-27.5	105.00	85.00	27.50	7.00	0.30	3	-
VP105-85-30	105.00	85.00	30.00	7.00	0.30	3	-
VP105-85-30DR	105.00	85.00	30.00	7.00	0.30	2	-
VP105-85-33.5	105.00	85.00	33.50	7.00	0.30	4	-
VP105-85-35	105.00	85.00	35.00	7.00	0.30	3	-
VP105-85-35DR	105.00	85.00	35.00	7.00	0.30	3	-
VP105-85-40	105.00	85.00	40.00	7.00	0.30	3	-
VP105-86-33.5	105.00	86.00	33.50	7.00	0.30	3	-
VP105-89-25.8	105.00	89.00	25.80	7.00	0.30	3	-
VP105-90-16.5	105.00	90.00	16.50	7.00	0.30	2	1

* Nominal Dimensions

Fluid Power

The Hydraulic Seal Specialists



VP Metric Vee Pack

Part Number	*ØD1	*Ød1/ *ØG	*L1	min C	max R1	No. of fabric V Rings	No. of Rubber/ Urethane V Rings
VP105-90-22.5	105.00	90.00	22.50	7.00	0.30	3	2
VP105-90-31.5	105.00	90.00	31.50	7.00	0.30	3	-
VP105-90-33.5	105.00	90.00	33.25	7.00	0.30	2	1
VP107-87-35	107.00	87.00	35.00	7.00	0.30	3	-
VP110-90-21	110.00	90.00	21.20	7.00	0.30	1	-
VP110-90-25EI	110.00	90.00	24.75	7.00	0.30	2	1
VP110-90-26	110.00	90.00	26.00	7.00	0.30	2	-
VP110-90-30	110.00	90.00	30.00	7.00	0.30	3	-
VP110-90-30DR	110.00	90.00	30.00	7.00	0.30	2	-
VP110-90-31.7	110.00	90.00	31.70	7.00	0.30	3	-
VP110-90-32DR	110.00	90.00	32.00	7.00	0.30	1	-
VP110-90-35	110.00	90.00	35.00	7.00	0.30	3	-
VP110-90-35DR	110.00	90.00	35.00	7.00	0.30	3	-
VP110-90-36.5	110.00	90.00	36.50	7.00	0.30	4	-
VP110-90-40	110.00	90.00	40.00	7.00	0.30	3	2
VP110-95-24	110.00	95.00	23.75	7.00	0.30	2	1
VP110-95-24EI	110.00	95.00	23.75	7.00	0.30	2	1
VP115-90-27.4	115.00	90.00	27.16	7.00	0.30	3	-
VP115-90-42.5	115.00	90.00	42.50	7.00	0.30	3	-
VP115-95-21	115.00	95.00	21.20	7.00	0.30	1	-
VP115-95-30	115.00	95.00	30.00	7.00	0.30	3	-
VP115-100-22	115.00	100.00	22.00	7.00	0.30	2	1
VP115-100-30	115.00	100.00	30.00	7.00	0.30	3	2
VP120-95-33	120.00	95.00	33.00	7.00	0.30	3	-
VP120-95-41EI	120.00	95.00	40.75	7.00	0.30	2	1
VP120-95-42.5	120.00	95.00	42.50	7.00	0.30	3	-
VP120-95-44	120.00	95.00	43.80	7.00	0.30	5	-
VP120-95-50	120.00	95.00	50.00	7.00	0.30	3	2
VP120-100-21.5EI	120.00	100.00	21.80	7.00	0.30	1	-
VP120-100-28	120.00	100.00	27.75	7.00	0.30	3	-
VP120-100-28EI	120.00	100.00	27.75	7.00	0.30	2	1
VP120-100-28EO	120.00	100.00	27.75	7.00	0.30	3	-
VP120-100-30	120.00	100.00	30.00	7.00	0.30	3	2
VP120-100-30DR	120.00	100.00	30.00	7.00	0.30	2	-
VP120-100-32	120.00	100.00	32.00	7.00	0.30	3	-
VP120-100-32EI	120.00	100.00	32.00	7.00	0.30	3	-
VP120-100-35DR	120.00	100.00	35.00	7.00	0.30	3	-
VP120-100-40	120.00	100.00	40.00	7.00	0.30	3	2
VP120-100-43	120.00	100.00	43.00	7.00	0.30	5	-
VP120-105-25	120.00	105.00	25.00	7.00	0.30	2	1

355 * Nominal Dimensions

Fluid Power

The Hydraulic Seal Specialists

VP Metric Vee Pack



Part Number	*ØD1	*Ød1/ *ØG	*L1	min C	max R1	No. of fabric V Rings	No. of Rubber/ Urethane V Rings
VP120-105-30	120.00	105.00	30.00	7.00	0.30	3	2
VP125-100-25.8	125.00	100.00	25.80	7.00	0.30	1	-
VP125-100-27.5	125.00	100.00	27.50	7.00	0.30	3	-
VP125-100-30	125.00	100.00	30.00	7.00	0.30	2	-
VP125-100-37	125.00	100.00	37.00	7.00	0.30	3	-
VP125-100-37EO	125.00	100.00	36.75	7.00	0.30	3	-
VP125-100-40DR	125.00	100.00	40.00	7.00	0.30	2	-
VP125-100-42.5	125.00	100.00	42.50	7.00	0.30	3	-
VP125-105-27	125.00	105.00	27.00	7.00	0.30	3	-
VP125-105-27.5EO	125.00	105.00	27.50	7.00	0.30	3	-
VP125-105-29.5	125.00	105.00	29.51	7.00	0.30	3	-
VP125-105-30DR	125.00	105.00	30.00	7.00	0.30	2	-
VP125-105-32DR	125.00	105.00	32.00	7.00	0.30	3	-
VP125-110-22	125.00	110.00	22.00	7.00	0.30	2	1
VP125-110-30	125.00	110.00	30.00	7.00	0.30	3	2
VP129-113-24DR	129.00	113.00	24.00	7.00	0.30	2	-
VP129-115-30	129.00	115.00	30.00	7.00	0.30	3	2
VP130-104-37	130.00	104.00	36.75	7.00	0.30	3	-
VP130-105-33	130.00	105.00	33.00	7.00	0.30	3	-
VP130-105-42.5	130.00	105.00	42.50	7.00	0.30	3	-
VP130-110-21.5	130.00	110.00	21.50	7.00	0.30	1	-
VP130-110-27EI	130.00	110.00	26.75	7.00	0.30	2	1
VP130-110-30	130.00	110.00	30.00	7.00	0.30	3	-
VP130-110-30DR	130.00	110.00	30.00	7.00	0.30	2	-
VP130-110-30EI	130.00	110.00	29.75	7.00	0.30	2	1
VP130-110-40	130.00	110.00	40.00	7.00	0.30	3	2
VP130-114-25.5	130.00	114.00	25.55	7.00	0.30	2	1
VP130-115-25EI	130.00	115.00	25.24	7.00	0.30	2	1
VP130-115-30	130.00	115.00	30.00	7.00	0.30	3	2
VP132-100-46	132.00	100.00	46.00	7.00	0.30	4	-
VP132-110-36	132.00	110.00	36.25	7.00	0.30	3	-
VP132-110-36EI	132.00	110.00	36.25	7.00	0.30	2	1
VP132-112-36	132.00	112.00	36.00	7.00	0.30	6	-
VP135-100-41EI	135.00	100.00	41.25	7.00	0.30	2	1
VP135-105-34	135.00	105.00	34.25	7.00	0.30	2	1
VP135-106-33	135.00	106.00	32.75	7.00	0.30	2	1
VP135-106-33EI	135.00	106.00	32.75	7.00	0.30	2	1
VP135-110-33	135.00	110.00	33.00	7.00	0.30	3	-
VP135-110-38.8	135.00	110.00	38.80	7.00	0.30	4	-
VP135-110-40	135.00	110.00	40.00	7.00	0.30	3	-

* Nominal Dimensions

Fluid Power

The Hydraulic Seal Specialists



VP Metric Vee Pack

Part Number	*ØD1	*Ød1/		min C	max R1	No. of fabric V Rings	No. of Rubber/ Urethane V Rings
		*ØG	*L1				
VP135-110-40DR	135.00	110.00	40.00	7.00	0.30	2	-
VP135-110-42.5	135.00	110.00	42.50	7.00	0.30	3	-
VP135-115-30	135.00	115.00	30.00	7.00	0.30	3	2
VP137-112-39	137.00	112.00	39.00	7.00	0.30	4	-
VP140-115-21	140.00	115.00	21.00	7.00	0.30	1	-
VP140-115-25.8	140.00	115.00	25.80	7.00	0.30	1	-
VP140-115-26.5	140.00	115.00	26.50	7.00	0.30	2	-
VP140-115-33	140.00	115.00	33.00	7.00	0.30	3	-
VP140-115-37	140.00	115.00	36.87	7.00	0.30	3	-
VP140-115-37EO	140.00	115.00	36.87	7.00	0.30	3	-
VP140-115-42.5	140.00	115.00	42.50	7.00	0.30	3	-
VP140-115-46	140.00	115.00	46.00	7.00	0.30	3	2
VP140-120-30	140.00	120.00	30.00	7.00	0.30	3	-
VP140-120-30EI	140.00	120.00	29.75	7.00	0.30	3	-
VP140-120-30EO	140.00	120.00	29.75	7.00	0.30	3	-
VP140-120-35	140.00	120.00	35.00	7.00	0.30	4	-
VP140-120-40	140.00	120.00	40.00	7.00	0.30	5	-
VP140-120-49	140.00	120.00	49.00	7.00	0.30	3	2
VP140-125-22.5DR	140.00	125.00	22.50	7.00	0.30	2	-
VP140-125-24	140.00	125.00	24.00	7.00	0.30	3	-
VP140-125-26	140.00	125.00	26.00	7.00	0.30	2	1
VP140-125-27.5DR	140.00	125.00	27.50	7.00	0.30	3	-
VP140-125-34	140.00	125.00	34.00	7.00	0.30	3	2
VP145-120-40EI	145.00	120.00	39.75	7.00	0.30	2	1
VP145-120-42.5	145.00	120.00	42.50	7.00	0.30	3	-
VP145-120-46	145.00	120.00	46.00	7.00	0.30	3	2
VP145-125-29	145.00	125.00	29.37	7.00	0.30	2	1
VP145-125-30DR	145.00	125.00	30.00	7.00	0.30	2	-
VP145-125-34	145.00	125.00	34.00	7.00	0.30	2	2
VP147-131-24DR	147.00	131.00	24.00	7.00	0.30	2	-
VP150-120-28	150.00	120.00	28.00	7.00	0.30	1	-
VP150-120-44EO	150.00	120.00	44.00	7.00	0.30	3	-
VP150-125-27	150.00	125.00	27.15	7.00	0.30	3	-
VP150-125-34	150.00	125.00	34.00	7.00	0.30	3	-
VP150-125-40DR	150.00	125.00	40.00	7.00	0.30	2	-
VP150-125-42.5	150.00	125.00	42.50	7.00	0.30	3	-
VP150-125-43DR	150.00	125.00	43.00	7.00	0.30	3	-
VP150-125-46	150.00	125.00	46.00	7.00	0.30	3	2
VP150-130-29.5	150.00	130.00	29.51	7.00	0.30	2	1
VP150-130-29.5EI	150.00	130.00	29.51	7.00	0.30	2	1

357 * Nominal Dimensions

Fluid Power

The Hydraulic Seal Specialists

VP Metric Vee Pack



Part Number	*ØD1	*Ød1/ *ØG	*L1	min C	max R1	No. of fabric V Rings	No. of Rubber/ Urethane V Rings
VP153.1-127.7-30.4	153.10	127.70	30.40	7.00	0.30	3	-
VP155-125-34	155.00	125.00	34.25	7.00	0.30	3	-
VP155-130-33	155.00	130.00	33.00	7.00	0.30	3	-
VP155-130-40	155.00	130.00	40.00	7.00	0.30	2	2
VP155-130-42.5	155.00	130.00	42.50	7.00	0.30	3	2
VP155-135-30	155.00	135.00	30.30	7.00	0.30	2	1
VP155-135-30EI	155.00	135.00	30.30	7.00	0.30	2	1
VP155-140-26	155.00	140.00	26.00	7.00	0.30	2	1
VP155-140-34	155.00	140.00	34.00	7.00	0.30	3	2
VP160-130-29	160.00	130.00	29.00	7.00	0.30	1	-
VP160-130-29EO	160.00	130.00	29.00	7.00	0.30	1	-
VP160-130-41.5	160.00	130.00	41.25	7.00	0.30	2	1
VP160-130-41.5EO	160.00	130.00	41.25	7.00	0.30	3	-
VP160-130-43.5EO	160.00	130.00	43.25	7.00	0.30	3	-
VP160-135-21	160.00	135.00	21.00	7.00	0.30	1	-
VP160-135-27	160.00	135.00	27.00	7.00	0.30	2	-
VP160-135-34	160.00	135.00	34.00	7.00	0.30	3	-
VP160-135-42	160.00	135.00	42.00	7.00	0.30	3	-
VP160-135-48.5	160.00	135.00	48.50	7.00	0.30	3	-
VP160-135-55	160.00	135.00	55.00	7.00	0.30	3	2
VP160-140-28.5	160.00	140.00	28.25	7.00	0.30	3	-
VP160-140-28.5EI	160.00	140.00	28.25	7.00	0.30	2	1
VP160-140-30DR	160.00	140.00	30.00	7.00	0.30	2	-
VP160-140-33	160.00	140.00	33.00	7.00	0.30	3	-
VP160-140-33.7	160.00	140.00	33.66	7.00	0.30	2	2
VP160-140-35DR	160.00	140.00	35.00	7.00	0.30	3	-
VP160-145-30	160.00	145.00	30.00	7.00	0.30	4	-
VP165-140-34	165.00	140.00	34.00	7.00	0.30	3	1
VP165-140-36.5	165.00	140.00	36.50	7.00	0.30	2	-
VP165-140-40	165.00	140.00	40.00	7.00	0.30	2	1
VP165-140-40DR	165.00	140.00	40.00	7.00	0.30	2	-
VP165-140-42.5	165.00	140.00	42.50	7.00	0.30	3	-
VP165-140-46	165.00	140.00	46.00	7.00	0.30	3	2
VP165-140-48.5	165.00	140.00	48.50	7.00	0.30	4	-
VP168-152-24DR	168.00	152.00	24.00	7.00	0.30	2	-
VP170-140-32.7	170.00	140.00	32.72	7.00	0.30	3	-
VP170-140-45	170.00	140.00	44.95	7.00	0.30	3	2
VP170-145-35.5	170.00	145.00	35.50	7.00	0.30	3	-
VP170-145-38	170.00	145.00	37.85	7.00	0.30	2	1
VP170-145-42.5	170.00	145.00	42.50	7.00	0.30	3	-

* Nominal Dimensions

Fluid Power

The Hydraulic Seal Specialists



VP Metric Vee Pack

Part Number	*ØD1	*Ød1/ *ØG	*L1	min C	max R1	No. of fabric V Rings	No. of Rubber/ Urethane V Rings
VP170-150-30	170.00	150.00	30.00	7.00	0.30	3	-
VP170-150-40	170.00	150.00	40.00	7.00	0.30	3	2
VP172-140-54	172.00	140.00	54.00	7.00	0.30	3	-
VP175-150-42.5	175.00	150.00	42.50	7.00	0.30	3	-
VP175-150-48.5	175.00	150.00	48.50	7.00	0.30	4	-
VP175-154-29	175.00	154.00	29.21	7.00	0.30	2	1
VP180-140-70	180.00	140.00	70.00	7.00	0.30	5	-
VP180-150-25	180.00	150.00	25.00	7.00	0.30	1	-
VP180-150-31.5	180.00	150.00	31.50	7.00	0.30	1	-
VP180-150-40	180.00	150.00	39.75	7.00	0.30	3	-
VP180-150-44EO	180.00	150.00	43.75	7.00	0.30	3	-
VP180-150-45	180.00	150.00	45.00	7.00	0.30	3	-
VP180-150-50.5	180.00	150.00	50.50	7.00	0.30	3	-
VP180-150-58	180.00	150.00	58.00	7.00	0.30	4	-
VP180-150-60	180.00	150.00	60.00	7.00	0.30	3	2
VP180-150-80.5	180.00	150.00	80.50	7.00	0.30	7	-
VP180-152-45	180.00	152.00	45.00	7.00	0.30	3	-
VP180-160-30	180.00	160.00	29.75	7.00	0.30	2	1
VP180-160-40	180.00	160.00	40.00	7.00	0.30	3	2
VP185-155-50.5	185.00	155.00	50.50	7.00	0.30	3	-
VP190-160-33	190.00	160.00	33.00	7.00	0.30	3	-
VP190-160-50DR	190.00	160.00	50.50	7.00	0.30	2	-
VP190-160-50.5	190.00	160.00	50.50	7.00	0.30	3	-
VP190-160-60	190.00	160.00	60.00	7.00	0.30	3	2
VP190-170-32	190.00	170.00	32.00	7.00	0.30	5	-
VP195-165-32.5	195.00	165.00	32.50	7.00	0.30	1	-
VP195-165-50.5	195.00	165.00	50.50	7.00	0.30	3	-
VP195-170-37	195.00	170.00	37.25	7.00	0.30	3	-
VP200-170-25	200.00	170.00	25.00	10.00	0.30	1	-
VP200-170-32.5	200.00	170.00	32.50	10.00	0.30	2	-
VP200-170-33.5	200.00	170.00	33.50	10.00	0.30	1	-
VP200-170-45	200.00	170.00	45.00	10.00	0.30	3	-
VP200-170-50	200.00	170.00	49.75	10.00	0.30	3	-
VP200-170-58	200.00	170.00	58.00	10.00	0.30	4	-
VP200-175-42	200.00	175.00	41.75	10.00	0.30	3	-
VP200-180-30	200.00	180.00	30.00	10.00	0.30	2	1
VP200-180-40	200.00	180.00	40.00	10.00	0.30	3	2
VP205-175-50.5	205.00	175.00	50.50	10.00	0.30	3	-
VP205-180-40	205.00	180.00	40.00	10.00	0.30	3	-
VP210-180-32.5EO	210.00	180.00	32.72	10.00	0.30	3	-

Fluid Power

The Hydraulic Seal Specialists

VP

Metric Vee Pack



Part Number	*ØD1	*Ød1/ *ØG	*L1	min C	max R1	No. of fabric V Rings	No. of Rubber/ Urethane V Rings
VP210-180-47DR	210.00	180.00	47.00	10.00	0.30	2	-
VP210-180-50DR	210.00	180.00	50.00	10.00	0.30	2	-
VP210-180-50.5	210.00	180.00	50.50	10.00	0.30	3	-
VP210-180-55DR	210.00	180.00	55.00	10.00	0.30	3	-
VP210-180-60	210.00	180.00	60.00	10.00	0.30	3	2
VP215-185-50.5	215.00	185.00	50.50	10.00	0.30	3	-
VP220-190-30	220.00	190.00	30.00	10.00	0.30	1	-
VP220-190-42	220.00	190.00	42.00	10.00	0.30	3	2
VP220-190-50.5	220.00	190.00	50.50	10.00	0.30	3	-
VP220-190-60	220.00	190.00	60.00	10.00	0.30	3	2
VP220-200-30	220.00	200.00	29.75	10.00	0.30	2	1
VP220-200-40	220.00	200.00	40.00	10.00	0.30	3	2
VP225-195-32.5	225.00	195.00	32.50	10.00	0.30	3	-
VP225-195-47.5	225.00	195.00	47.50	10.00	0.30	3	1
VP225-195-50.5	225.00	195.00	50.50	10.00	0.30	3	-
VP225-195-62.5	225.00	195.00	62.50	10.00	0.30	3	2
VP225-205-19	225.00	205.00	19.23	10.00	0.30	2	1
VP230-200-33	230.00	200.00	32.72	10.00	0.30	3	-
VP230-200-45	230.00	200.00	45.00	10.00	0.30	3	-
VP230-200-45DR	230.00	200.00	45.00	10.00	0.30	2	-
VP230-200-50DR	230.00	200.00	50.00	10.00	0.30	2	-
VP230-200-50.5	230.00	200.00	50.44	10.00	0.30	6	-
VP230-200-58	230.00	200.00	58.00	10.00	0.30	4	-
VP230-200-60	230.00	200.00	60.00	10.00	0.30	3	2
VP235-205-45DR	235.00	205.00	45.00	10.00	0.30	2	-
VP235-205-50.5	235.00	205.00	50.50	10.00	0.30	3	-
VP240-210-34	240.00	210.00	34.25	10.00	0.30	2	1
VP240-210-42	240.00	210.00	41.85	10.00	0.30	3	-
VP240-210-50.5	240.00	210.00	50.50	10.00	0.30	3	-
VP240-210-58	240.00	210.00	58.00	10.00	0.30	4	-
VP245-215-50.5	245.00	215.00	50.50	10.00	0.30	3	-
VP245-215-58	245.00	215.00	58.00	10.00	0.30	4	-
VP250-220-25	250.00	220.00	25.00	10.00	0.30	1	-
VP250-220-29	250.00	220.00	29.00	10.00	0.30	1	-
VP250-220-33.5	250.00	220.00	33.50	10.00	0.30	1	-
VP250-220-47.5	250.00	220.00	47.50	10.00	0.30	3	1
VP250-220-50	250.00	220.00	50.00	10.00	0.30	4	-
VP250-220-50DR	250.00	220.00	50.00	10.00	0.30	2	-
VP250-220-52	250.00	220.00	51.75	10.00	0.30	3	-
VP250-220-62.5	250.00	220.00	62.50	10.00	0.30	3	2

* Nominal Dimensions

Fluid Power

The Hydraulic Seal Specialists



VP Metric Vee Pack

Part Number	*ØD1	*ØG	*L1	min C	max R1	No. of fabric V Rings	No. of Rubber/ Urethane V Rings
VP254-224-33	254.00	224.00	32.72	10.00	0.30	3	-
VP255-225-50.5	255.00	225.00	50.50	10.00	0.30	3	-
VP260-230-50.5	260.00	230.00	50.50	10.00	0.30	3	-
VP260-230-58	260.00	230.00	58.00	10.00	0.30	4	-
VP265-235-50.5	265.00	235.00	50.50	10.00	0.30	3	-
VP270-240-45	270.00	240.00	44.75	10.00	0.30	3	-
VP270-240-50.5	270.00	240.00	50.50	10.00	0.30	3	-
VP270-240-58	270.00	240.00	58.00	10.00	0.30	4	-
VP270-250-32	270.00	250.00	31.75	10.00	0.30	2	1
VP275-245-47.5	275.00	245.00	47.50	10.00	0.30	3	1
VP275-245-50.5	275.00	245.00	50.50	10.00	0.30	3	-
VP275-245-58	275.00	245.00	58.00	10.00	0.30	4	-
VP275-245-62.5	275.00	245.00	62.50	10.00	0.30	3	2
VP280-250-27	280.00	250.00	27.00	10.00	0.30	1	-
VP280-250-32.5EO	280.00	250.00	32.72	10.00	0.30	3	-
VP280-250-34	280.00	250.00	34.00	10.00	0.30	2	-
VP280-250-50DR	280.00	250.00	50.00	10.00	0.30	2	-
VP280-250-50.5	280.00	250.00	50.50	10.00	0.30	3	-
VP280-250-58	280.00	250.00	58.00	10.00	0.30	4	-
VP285-255-45DR	285.00	255.00	45.00	10.00	0.30	2	-
VP285-255-50.5	285.00	255.00	50.50	10.00	0.30	3	-
VP290-260-50.5	290.00	260.00	50.50	10.00	0.30	3	-
VP295-265-50.5	295.00	265.00	50.50	10.00	0.30	3	-
VP300-260-60	300.00	260.00	60.00	10.00	0.30	4	-
VP300-270-25	300.00	270.00	25.00	10.00	0.30	1	-
VP300-270-40	300.00	270.00	40.00	10.00	0.30	2	-
VP300-270-47.5	300.00	270.00	47.50	10.00	0.30	3	1
VP300-270-50.5	300.00	270.00	50.50	10.00	0.30	3	-
VP300-270-58	300.00	270.00	58.00	10.00	0.30	4	-
VP300-270-62.5	300.00	270.00	62.50	10.00	0.30	3	2
VP310-280-45DR	310.00	280.00	45.00	10.00	0.30	2	-
VP310-280-50DR	310.00	280.00	50.00	10.00	0.30	2	-
VP310-280-50.5	310.00	280.00	50.50	10.00	0.30	3	-
VP315-280-38	315.00	280.00	38.20	10.00	0.30	3	-
VP320-290-35	320.00	290.00	35.00	10.00	0.30	3	2
VP320-290-43	320.00	290.00	43.00	10.00	0.30	2	-
VP320-290-49	320.00	290.00	49.00	10.00	0.30	3	1
VP320-290-50.5	320.00	290.00	50.55	10.00	0.30	3	-
VP320-290-64	320.00	290.00	64.00	10.00	0.30	3	2
VP320-300-32	320.00	300.00	31.75	10.00	0.30	2	1

361 * Nominal Dimensions

Fluid Power

The Hydraulic Seal Specialists

VP

Metric Vee Pack



Part Number	*ØD1	*ØD1/ *ØG	*L1	min C	max R1	No. of fabric V Rings	No. of Rubber/ Urethane V Rings
VP330-300-50.5	330.00	300.00	50.50	10.00	0.30	3	-
VP330-300-60	330.00	300.00	60.00	10.00	0.30	3	2
VP330-310-30	330.00	310.00	29.75	10.00	0.30	2	1
VP340-310-50.5	340.00	310.00	50.50	10.00	0.30	3	-
VP340-310-60	340.00	310.00	60.00	10.00	0.30	3	2
VP350-315-38	350.00	315.00	38.20	10.00	0.30	3	-
VP350-320-43	350.00	320.00	43.00	10.00	0.30	2	-
VP350-320-50.5	350.00	320.00	50.50	10.00	0.30	3	-
VP350-320-60	350.00	320.00	60.00	10.00	0.30	3	2
VP360-320-46	360.00	320.00	46.00	10.00	0.30	3	2
VP360-320-58	360.00	320.00	58.00	10.00	0.30	3	1
VP360-320-63DR	360.00	320.00	63.00	10.00	0.30	2	-
VP360-320-78	360.00	320.00	78.00	10.00	0.30	3	2
VP360-330-50.5	360.00	330.00	50.50	10.00	0.30	3	-
VP365-320-55	365.00	320.00	54.75	10.00	0.30	3	-
VP370-330-60DR	370.00	330.00	60.00	10.00	0.30	2	-
VP370-340-50.5	370.00	340.00	50.50	10.00	0.30	3	-
VP370-340-58	370.00	340.00	58.00	10.00	0.30	4	-
VP380-340-60	380.00	340.00	59.75	10.00	0.30	3	-
VP380-350-50.5	380.00	350.00	50.50	10.00	0.30	3	-
VP390-350-60	390.00	350.00	59.75	10.00	0.30	2	1
VP390-360-50.5	390.00	360.00	50.50	10.00	0.30	3	-
VP395-354-60DR	395.00	354.00	60.00	10.00	0.30	2	-
VP395-355-60DR	395.00	355.00	60.00	10.00	0.30	2	-
VP400-360-63DR	400.00	360.00	63.00	10.00	0.30	2	-
VP400-369-45	400.00	369.00	44.75	10.00	0.30	2	1
VP400-370-50.5	400.00	370.00	50.50	10.00	0.30	3	-
VP410-380-50.5	410.00	380.00	50.50	10.00	0.30	3	-
VP420-380-60	420.00	380.00	60.00	10.00	0.30	3	1
VP420-380-80	420.00	380.00	80.00	10.00	0.30	3	2
VP420-390-50.5	420.00	390.00	50.50	10.00	0.30	3	-
VP430-400-46	430.00	400.00	46.00	10.00	0.30	3	2
VP430-400-50.5	430.00	400.00	50.50	10.00	0.30	3	-
VP440-400-54	440.00	400.00	53.75	10.00	0.30	2	1
VP440-400-56.5	440.00	400.00	56.50	10.00	0.30	4	-
VP440-400-65	440.00	400.00	65.00	10.00	0.30	3	2
VP440-400-79	440.00	400.00	79.00	10.00	0.30	3	-
VP450-410-79	450.00	410.00	79.00	10.00	0.30	3	-
VP450-416-50	450.00	416.00	49.75	10.00	0.30	3	-
VP460-420-51	460.00	420.00	51.35	10.00	0.30	2	1

* Nominal Dimensions

Fluid Power

The Hydraulic Seal Specialists



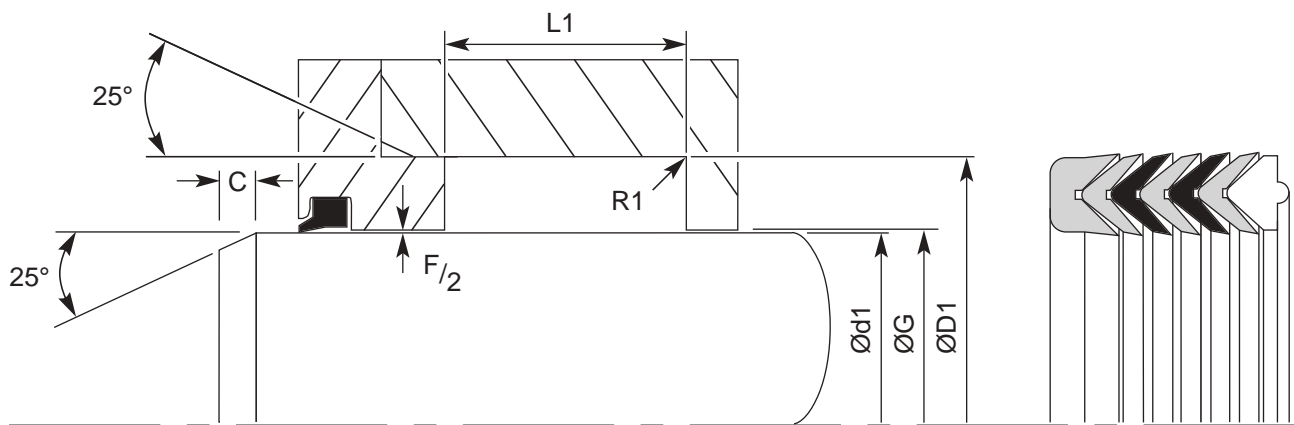
VP Metric Vee Pack

Part Number	*ØD1	*Ød1/ *ØG	*L1	min C	max R1	No. of fabric V Rings	No. of Rubber/ Urethane V Rings
VP460-420-79	460.00	420.00	79.00	10.00	0.30	3	-
VP470-430-79	470.00	430.00	79.00	10.00	0.30	3	-
VP480-440-68	480.00	440.00	68.00	10.00	0.30	3	2
VP480-440-79	480.00	440.00	79.00	10.00	0.30	3	-
VP490-450-65	490.00	450.00	65.00	10.00	0.30	3	2
VP490-450-79	490.00	450.00	79.00	10.00	0.30	3	-
VP500-460-79	500.00	460.00	79.00	10.00	0.30	3	-
VP510-470-79	510.00	470.00	79.00	10.00	0.30	3	-
VP520-480-79	520.00	480.00	79.00	10.00	0.30	3	-
VP530-490-79	530.00	490.00	79.00	10.00	0.30	3	-
VP540-500-79	540.00	500.00	79.00	10.00	0.30	3	-
VP545-505-60	545.00	505.00	59.75	10.00	0.30	2	1
VP750-700-73	750.00	700.00	72.75	10.00	0.30	2	1

Fluid Power

The Hydraulic Seal Specialists

VP Imperial Vee Pack



Maximum Diametrical Clearance F

Pressure	Bar	100	200	300	400
Maximum Gap	Inch	0.018	0.013	0.010	0.008

Tolerances

ØD1	Ød1	ØG	L1
H9	f8	H9	+0.008/ -0.000

Operating Conditions

Max Speed	Temp Range
m/s	-30° to 100°C
0.50	400 Bar

VP is designed for use as a single acting rod or piston seal. The seal consists of a female top adaptor and male bottom adaptor with a series of vee rings in between.

The number of intermediate rings varies in each assembly and the height of the set can be adjusted by adding or removing a number of vee rings.

Most of the components are manufactured from fabric reinforced nitrile rubber, however, in some cases some intermediate rings may be manufactured in rubber or polyurethane and top or bottom adaptors in polyacetal.

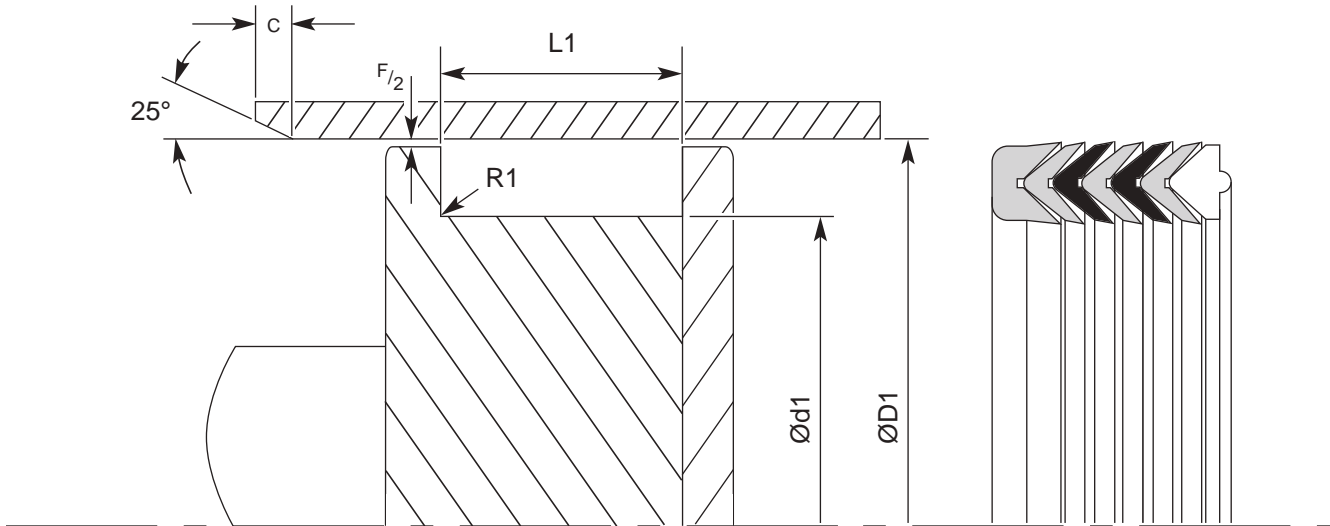
There are several designs available, please see page 366 and 367 for a selection of the range available.

Fluid Power

The Hydraulic Seal Specialists



VP Imperial Vee Pack



Maximum Diametrical Clearance F

Pressure	Bar	100	200	300	400
Maximum Gap	Inch	0.018	0.013	0.010	0.008

Tolerances

ØD1	Ød1	L1
H9	f8	+0.008/-0.000

Operating Conditions

Max Speed	Temp Range
m/s	-30° to 100°C
0.50	250 Bar

VP is designed for use as a single acting rod or piston seal. The seal consists of a female top adaptor and male bottom adaptor with a series of vee rings in between.

The number of intermediate rings varies in each assembly and the height of the set can be adjusted by adding or removing a number of vee rings.

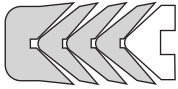
Most of the components are manufactured from fabric reinforced nitrile rubber, however, in some cases some intermediate rings may be manufactured in rubber or polyurethane and top or bottom adaptors in polyacetal.

There are several designs available, please see page 366 and 367 for a selection of the range available.

Fluid Power

The Hydraulic Seal Specialists

VP Imperial Vee Pack



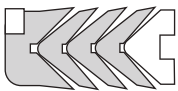
Standard **VP** consisting of top/bottom adaptors and fabric reinforced intermediate rings. Suitable for both rod and piston applications.

VP



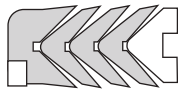
Same as standard **VP** but with extra intermediate rings manufactured in either nitrile or polyurethane to assist low pressure sealing. The male and female adaptors may be manufactured in either fabric reinforced nitrile or polyacetal.

VP



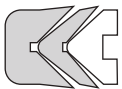
Designed for piston applications the **VP-EO** is the same as the standard **VP** but with an external anti-extrusion ring manufactured in polyacetal for larger clearances and higher pressure ranges. The male and female adaptors may be manufactured in either fabric reinforced nitrile or polyacetal.

VP-EO



Designed for rod applications the **VP-EI** is the same as the standard **VP** but with an internal anti-extrusion ring manufactured in polyacetal for larger clearances and higher pressure ranges. The male and female adaptor may be manufactured in either fabric reinforced nitrile or polyacetal.

VP-EI



Specifically designed for piston application this seal consists of a male/female adaptor and only one intermediate ring. Usually installed in pairs to provide an excellent double acting arrangement. The male and female adaptors may be manufactured in either fabric reinforced nitrile or polyacetal.

VP



VP-DR is available in two main designs, both of which have a pre-loaded male adaptor that will assist in low pressure sealing, whilst still having the strength and durability to operate at higher pressures. **VP-DR** requires a small axial clearance and should not be axially compressed. The female adaptor may be manufactured in either fabric reinforced nitrile or polyacetal.

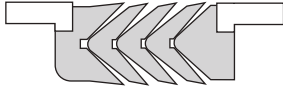
VP-DR

Fluid Power

The Hydraulic Seal Specialists



VP Imperial Vee Pack



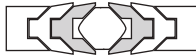
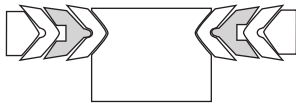
VP-WO

Designed for piston applications the **VP-WO** is the same as the standard **VP** but with two external wear rings manufactured in polyacetal for larger clearances and higher pressure ranges. The male and female adaptors may be manufactured in either fabric reinforced nitrile or polyacetal. For details on the **VP-WO** range please contact the FPE sales team.



VP-P

VP-P utilizes blue Hytrel and black Nylon vees to cover pressure from 0 to 6000 PSI and provide excellent extrusion resistance. The male and female attachments are molded from glass filled nylon. The female attachment varies in length from 1/4" to 1". For details on the **VP-P** range please contact the FPE sales team.



VP-DA

VP-DA is an uncommon double acting seal generally found on plant machinery consisting of Nylon and Polyurethane intermediate vee rings and either a glass filled nylon male adaptor and a large glass filled nylon centre female adaptor or a small male adaptor in the center and two female adaptors, one at either end. For further details on the **VP-DA** range please contact the FPE sales team.

Fluid Power

The Hydraulic Seal Specialists

VP Imperial Vee Pack



Part Number	*ØD1	*ØG	*L1	min C	max R1	No. of fabric V Rings	No. of Rubber/ Urethane V Rings	No. of PTFE V Rings
VP068031-050	0.687	0.312	0.500	0.200	0.010	3	-	-
VP075037-050	0.750	0.375	0.500	0.200	0.010	3	-	-
VP075037-075	0.750	0.375	0.750	0.200	0.010	4	-	-
VP081043-050	0.812	0.437	0.500	0.200	0.010	3	-	-
VP087037-050	0.875	0.375	0.500	0.200	0.010	1	-	-
VP087050-050	0.875	0.500	0.500	0.200	0.010	3	-	-
VP087050-062	0.875	0.500	0.625	0.200	0.010	3	-	-
VP090050-053	0.906	0.500	0.531	0.200	0.010	3	-	-
VP093056-050	0.937	0.562	0.500	0.200	0.010	3	-	-
VP093062-055	0.937	0.625	0.550	0.200	0.010	3	-	-
VP095062-053	0.950	0.625	0.531	0.200	0.010	3	-	-
VP100050-071	1.000	0.500	0.715	0.200	0.010	3	-	-
VP100050-075	1.000	0.500	0.750	0.200	0.010	3	-	-
VP100050-087	1.000	0.500	0.875	0.200	0.010	4	-	-
VP100062-050	1.000	0.625	0.500	0.200	0.010	3	-	-
VP100062-056	1.000	0.625	0.562	0.200	0.010	2	-	-
VP100062-082	1.000	0.625	0.812	0.200	0.010	3	-	-
VP106068-059	1.062	0.687	0.593	0.200	0.010	4	-	-
VP110075-053	1.100	0.750	0.531	0.200	0.010	2	-	-
VP112062-075	1.125	0.625	0.750	0.200	0.010	3	-	-
VP112062-100	1.125	0.625	1.000	0.200	0.010	5	-	-
VP112071-062	1.125	0.710	0.622	0.200	0.010	3	-	-
VP112075-068	1.125	0.750	0.687	0.200	0.010	3	2	-
VP112075-075	1.125	0.750	0.750	0.200	0.010	4	-	-
VP112075-082	1.125	0.750	0.812	0.200	0.010	6	-	-
VP112075-095	1.125	0.750	0.950	0.200	0.010	3	-	-
VP118068-087	1.187	0.687	0.875	0.200	0.010	4	-	-
VP125062-100	1.250	0.625	1.000	0.200	0.010	4	-	-
VP125062-125	1.250	0.625	1.250	0.200	0.010	5	-	-
VP125075-068	1.250	0.750	0.687	0.200	0.010	2	-	-
VP125075-075	1.250	0.750	0.750	0.200	0.010	3	-	-
VP125075-087	1.250	0.750	0.875	0.200	0.010	3	-	-
VP125075-090DR	1.250	0.750	0.905	0.200	0.010	3	-	-
VP125075-100	1.250	0.750	1.000	0.200	0.010	5	-	-
VP125087-065	1.250	0.875	0.657	0.200	0.010	3	-	-
VP125087-075	1.250	0.875	0.750	0.200	0.010	3	-	-
VP131081-062	1.312	0.812	0.625	0.200	0.012	2	-	-
VP131081-087	1.312	0.812	0.875	0.200	0.012	4	-	-
VP131081-131	1.312	0.812	1.312	0.200	0.012	3	2	-
VP137075-102	1.375	0.750	1.020	0.200	0.012	3	-	-

* Nominal Dimensions

Fluid Power

The Hydraulic Seal Specialists



VP Imperial Vee Pack

Part Number	*ØD1	*ØG	*L1	min C	max R1	No. of fabric V Rings	No. of Rubber/ Urethane V Rings	No. of PTFE V Rings
VP137075-103	1.375	0.750	1.031	0.200	0.012	4	-	-
VP137087-075	1.375	0.875	0.750	0.200	0.012	3	-	-
VP137087-082	1.375	0.875	0.825	0.200	0.012	3	-	-
VP137087-100	1.375	0.875	1.000	0.200	0.012	4	-	-
VP137100-067	1.375	1.000	0.675	0.200	0.012	3	-	-
VP137100-075	1.375	1.000	0.750	0.200	0.012	4	-	-
VP137100-095	1.375	1.000	0.953	0.200	0.012	3	2	-
VP137100-100	1.375	1.000	1.000	0.200	0.012	6	-	-
VP141091-062	1.410	0.910	0.625	0.200	0.012	2	-	-
VP143093-075	1.437	0.937	0.750	0.200	0.012	3	-	-
VP150075-112	1.500	0.750	1.125	0.200	0.012	3	-	-
VP150087-103	1.500	0.875	1.031	0.200	0.012	4	-	-
VP150087-112	1.500	0.875	1.125	0.200	0.012	4	-	-
VP150100-071	1.500	1.000	0.715	0.200	0.012	3	-	-
VP150100-075	1.500	1.000	0.750	0.200	0.012	3	-	-
VP150100-075DR	1.500	1.000	0.750	0.200	0.012	2	-	-
VP150100-087	1.500	1.000	0.875	0.200	0.012	3	-	-
VP150100-087DR	1.500	1.000	0.875	0.200	0.012	3	-	-
VP150100-100	1.500	1.000	1.000	0.200	0.012	5	-	-
VP150100-112	1.500	1.000	1.125	0.200	0.012	6	-	-
VP156093-100	1.562	0.937	1.000	0.200	0.012	3	-	-
VP156106-069	1.562	1.062	0.695	0.200	0.012	3	-	-
VP156106-081	1.562	1.062	0.812	0.200	0.012	4	-	-
VP156106-100	1.562	1.062	1.000	0.200	0.012	5	-	-
VP156118-125	1.562	1.187	1.250	0.200	0.012	6	-	-
VP162075-112**	1.625	0.750	1.125	0.200	0.012	3	-	-
VP162100-100	1.625	1.000	1.000	0.200	0.012	3	-	-
VP162100-103	1.625	1.000	1.031	0.200	0.012	4	-	-
VP162112-075	1.625	1.125	0.750	0.200	0.012	3	-	-
VP162112-083	1.625	1.125	0.830	0.200	0.012	4	-	-
VP162112-087	1.625	1.125	0.875	0.200	0.012	4	-	-
VP162112-087DR	1.625	1.125	0.875	0.200	0.012	3	-	-
VP168106-100	1.687	1.062	1.000	0.200	0.012	3	-	-
VP168118-087	1.687	1.187	0.875	0.200	0.012	4	-	-
VP175100-100	1.750	1.000	1.000	0.200	0.012	3	-	-
VP175106-106	1.750	1.062	1.060	0.200	0.012	3	-	-
VP175112-103	1.750	1.125	1.031	0.200	0.012	4	-	-
VP175112-106	1.750	1.125	1.062	0.200	0.012	3	-	-
VP175125-075	1.750	1.250	0.750	0.200	0.012	3	-	-
VP175125-078	1.750	1.250	0.785	0.200	0.012	3	-	-

369 * Nominal Dimensions

** Special part. Header & base measure 0.75" I.D.,
vee rings measure 1" I.D.

Fluid Power

The Hydraulic Seal Specialists

VP Imperial Vee Pack



Part Number	*ØD1	*Ød1/		min C	max R1	No. of fabric V Rings	No. of Rubber/ Urethane V Rings	No. of PTFE V Rings
		*ØG	*L1					
VP175125-082	1.750	1.250	0.820	0.200	0.012	2	2	-
VP175125-087	1.750	1.250	0.875	0.200	0.012	-	3	2
VP175125-087DR	1.750	1.250	0.875	0.200	0.012	3	-	-
VP175125-100	1.750	1.250	1.000	0.200	0.012	3	2	-
VP175125-112	1.750	1.250	1.125	0.200	0.012	6	-	-
VP175125-125	1.750	1.250	1.250	0.200	0.012	7	-	-
VP175137-106	1.750	1.375	1.062	0.200	0.012	6	-	-
VP177115-087	1.775	1.153	0.875	0.200	0.012	2	-	-
VP178128-062	1.781	1.281	0.625	0.200	0.012	2	-	-
VP181118-100	1.812	1.187	1.000	0.200	0.012	3	-	-
VP187125-100	1.875	1.250	1.000	0.200	0.012	3	-	-
VP187125-103	1.875	1.250	1.031	0.200	0.012	4	-	-
VP187125-113	1.875	1.250	1.134	0.200	0.012	2	1	-
VP187137-075	1.875	1.375	0.750	0.200	0.012	3	-	-
VP187137-080	1.875	1.375	0.803	0.200	0.012	3	-	-
VP187137-100	1.875	1.375	1.000	0.200	0.012	3	2	-
VP188137-100	1.889	1.375	1.000	0.200	0.012	3	2	-
VP193131-100	1.937	1.312	1.000	0.200	0.012	3	-	-
VP200125-100	2.000	1.250	1.000	0.200	0.012	2	1	-
VP200137-094	2.000	1.375	0.943	0.200	0.012	2	1	-
VP200137-100	2.000	1.375	1.000	0.200	0.012	3	-	-
VP200137-103	2.000	1.375	1.031	0.200	0.012	4	-	-
VP200137-112DR	2.000	1.375	1.125	0.200	0.012	3	-	-
VP200138-100	2.000	1.380	1.000	0.200	0.012	4	-	-
VP200138-116	2.000	1.380	1.165	0.200	0.012	5	-	-
VP200150-071	2.000	1.500	0.715	0.200	0.012	3	-	-
VP200150-075	2.000	1.500	0.750	0.200	0.012	3	-	-
VP200150-082	2.000	1.500	0.820	0.200	0.012	4	-	-
VP200150-087	2.000	1.500	0.875	0.200	0.012	3	1	-
VP200150-087DR	2.000	1.500	0.875	0.200	0.012	3	-	-
VP200150-090	2.000	1.500	0.900	0.200	0.012	4	-	-
VP200150-100	2.000	1.500	1.000	0.200	0.012	3	2	-
VP200150-112	2.000	1.500	1.125	0.200	0.012	4	2	-
VP200150-125	2.000	1.500	1.250	0.200	0.012	7	-	-
VP206143-100	2.062	1.437	1.000	0.200	0.012	3	-	-
VP212137-125	2.125	1.375	1.250	0.200	0.012	4	-	-
VP212150-090	2.125	1.500	0.900	0.200	0.012	2	-	-
VP212150-100	2.125	1.500	1.000	0.200	0.012	3	-	-
VP212150-103	2.125	1.500	1.031	0.200	0.012	2	2	-
VP212150-104	2.125	1.500	1.040	0.200	0.012	3	1	-

* Nominal Dimensions

Fluid Power

The Hydraulic Seal Specialists



VP Imperial Vee Pack

Part Number	*ØD1	*ØG	*L1	min C	max R1	No. of fabric V Rings	No. of Rubber/ Urethane V Rings	No. of PTFE V Rings
VP212150-107	2.125	1.500	1.078	0.200	0.012	2	1	-
VP212150-112	2.125	1.500	1.125	0.200	0.012	3	-	-
VP212150-115	2.125	1.500	1.156	0.200	0.012	4	-	-
VP212150-118	2.125	1.500	1.187	0.200	0.012	5	-	-
VP212150-137	2.125	1.500	1.375	0.200	0.012	6	-	-
VP212162-075	2.125	1.625	0.750	0.200	0.012	-	3	-
VP212162-087DR	2.125	1.625	0.875	0.200	0.012	3	-	-
VP212162-100	2.125	1.625	1.000	0.200	0.012	5	-	-
VP212162-112	2.125	1.625	1.125	0.200	0.012	6	-	-
VP212175-087	2.125	1.750	0.875	0.200	0.012	3	2	-
VP218156-100	2.187	1.562	1.000	0.200	0.012	3	-	-
VP225125-100	2.250	1.250	1.000	0.200	0.012	2	-	-
VP225125-150	2.250	1.250	1.500	0.200	0.012	4	-	-
VP225125-184	2.250	1.250	1.840	0.200	0.012	4	-	-
VP225150-100	2.250	1.500	1.000	0.200	0.012	3	-	-
VP225162-087	2.250	1.625	0.875	0.200	0.012	3	-	-
VP225162-100	2.250	1.625	1.000	0.200	0.012	3	-	-
VP225162-103	2.250	1.625	1.031	0.200	0.012	4	-	-
VP225175-064	2.250	1.750	0.640	0.200	0.012	1	1	-
VP225175-073	2.250	1.750	0.735	0.200	0.012	2	1	-
VP225175-075	2.250	1.750	0.750	0.200	0.012	3	-	-
VP225175-075DR	2.250	1.750	0.750	0.200	0.012	2	-	-
VP225175-079	2.250	1.750	0.790	0.200	0.012	3	-	-
VP225175-082	2.250	1.750	0.820	0.200	0.012	3	1	-
VP225175-085	2.250	1.750	0.849	0.200	0.012	2	1	-
VP225175-087	2.250	1.750	0.875	0.200	0.012	3	1	-
VP225175-090	2.250	1.750	0.900	0.200	0.012	3	1	-
VP225175-100	2.250	1.750	1.000	0.200	0.012	5	-	-
VP225175-112	2.250	1.750	1.125	0.200	0.012	4	2	-
VP226175-068	2.264	1.750	0.681	0.200	0.012	2	1	-
VP231168-115	2.312	1.687	1.156	0.200	0.012	4	-	-
VP237150-175	2.375	1.500	1.750	0.200	0.012	5	-	-
VP237175-089	2.375	1.750	0.894	0.200	0.012	2	1	-
VP237175-097	2.375	1.750	0.970	0.200	0.012	2	-	-
VP237175-099	2.375	1.750	0.990	0.200	0.012	3	-	-
VP237175-100	2.375	1.750	1.000	0.200	0.012	3	-	-
VP237175-103	2.375	1.750	1.031	0.200	0.012	2	2	-
VP237175-108	2.375	1.750	1.084	0.200	0.012	2	1	-
VP237175-109	2.375	1.750	1.093	0.200	0.012	3	-	-
VP237175-112	2.375	1.750	1.125	0.200	0.012	5	-	-

371 * Nominal Dimensions

Fluid Power

The Hydraulic Seal Specialists

VP Imperial Vee Pack



Part Number	*ØD1	*ØG	*L1	min C	max R1	No. of fabric V Rings	No. of Rubber/ Urethane V Rings	No. of PTFE V Rings
VP237175-118	2.375	1.750	1.187	0.200	0.012	5	-	-
VP237187-090	2.375	1.875	0.900	0.200	0.012	4	-	-
VP237187-112	2.375	1.875	1.125	0.200	0.012	6	-	-
VP237200-068	2.375	2.000	0.687	0.200	0.012	3	-	-
VP237200-071	2.375	2.000	0.718	0.200	0.012	3	-	-
VP237200-075	2.375	2.000	0.750	0.200	0.012	2	2	-
VP243193-118	2.437	1.937	1.187	0.200	0.012	6	-	-
VP250150-075	2.500	1.500	0.750	0.200	0.012	1	-	-
VP250150-125	2.500	1.500	1.250	0.200	0.012	2	1	-
VP250150-150	2.500	1.500	1.500	0.200	0.012	2	2	-
VP250175-081	2.500	1.750	0.812	0.200	0.012	2	-	-
VP250175-100	2.500	1.750	1.000	0.200	0.012	3	-	-
VP250175-118	2.500	1.750	1.186	0.200	0.012	3	1	-
VP250175-150	2.500	1.750	1.500	0.200	0.012	3	2	-
VP250175-156	2.500	1.750	1.562	0.200	0.012	6	-	-
VP250187-095	2.500	1.875	0.950	0.200	0.012	3	-	-
VP250187-100	2.500	1.875	1.000	0.200	0.012	3	-	-
VP250187-103	2.500	1.875	1.031	0.200	0.012	4	-	-
VP250200-062	2.500	2.000	0.625	0.200	0.012	1	1	-
VP250200-065	2.500	2.000	0.650	0.200	0.012	2	-	-
VP250200-071	2.500	2.000	0.715	0.200	0.012	3	-	-
VP250200-075	2.500	2.000	0.750	0.200	0.012	2	-	-
VP250200-082	2.500	2.000	0.812	0.200	0.012	4	-	-
VP250200-087	2.500	2.000	0.875	0.200	0.012	4	-	-
VP250200-087DR	2.500	2.000	0.875	0.200	0.012	3	-	-
VP250200-091	2.500	2.000	0.910	0.200	0.012	3	-	-
VP250200-100	2.500	2.000	1.000	0.200	0.012	3	2	-
VP250200-112	2.500	2.000	1.125	0.200	0.012	4	2	-
VP250212-064	2.500	2.125	0.646	0.200	0.012	2	1	-
VP251200-062	2.515	2.000	0.625	0.200	0.012	2	-	-
VP256193-100	2.562	1.937	1.000	0.200	0.012	3	-	-
VP262187-112	2.625	1.875	1.125	0.200	0.012	4	-	-
VP262200-087	2.625	2.000	0.875	0.200	0.012	3	-	-
VP262200-090	2.625	2.000	0.895	0.200	0.012	2	1	-
VP262200-093	2.625	2.000	0.937	0.200	0.012	3	-	-
VP262200-100EI	2.625	2.000	1.000	0.200	0.012	3	-	-
VP262200-100DR	2.625	2.000	1.000	0.200	0.012	2	-	-
VP262200-103	2.625	2.000	1.031	0.200	0.012	4	-	-
VP262200-106	2.625	2.000	1.058	0.200	0.012	3	1	-
VP262200-109	2.625	2.000	1.093	0.200	0.012	3	-	-

* Nominal Dimensions

Fluid Power

The Hydraulic Seal Specialists



VP Imperial Vee Pack

Part Number	*ØD1	*ØG	*L1	min C	max R1	No. of fabric V Rings	No. of Rubber/ Urethane V Rings	No. of PTFE V Rings
VP262200-112	2.625	2.000	1.125	0.200	0.012	4	-	-
VP262212-075	2.625	2.125	0.755	0.200	0.012	2	1	-
VP262212-087	2.625	2.125	0.875	0.200	0.012	4	-	-
VP270220-100	2.700	2.200	1.000	0.200	0.012	3	2	-
VP275175-100	2.750	1.750	1.000	0.200	0.012	2	-	-
VP275175-200	2.750	1.750	2.000	0.200	0.012	3	2	-
VP275200-100	2.750	2.000	1.000	0.200	0.012	2	1	-
VP275200-102	2.750	2.000	1.027	0.200	0.012	2	-	-
VP275200-118	2.750	2.000	1.187	0.200	0.012	2	2	-
VP275200-131	2.750	2.000	1.309	0.200	0.012	2	1	-
VP275200-137	2.750	2.000	1.375	0.200	0.012	3	2	-
VP275200-143	2.750	2.000	1.437	0.200	0.012	4	-	-
VP275212-098	2.750	2.125	0.985	0.200	0.012	2	1	-
VP275212-100	2.750	2.125	1.000	0.200	0.012	3	-	-
VP275212-103	2.750	2.125	1.031	0.200	0.012	4	-	-
VP275212-106EO	2.750	2.125	1.062	0.200	0.012	3	-	-
VP275212-112	2.750	2.125	1.125	0.200	0.012	3	2	-
VP275212-118DR	2.750	2.125	1.180	0.200	0.012	3	-	-
VP275225-070	2.750	2.250	0.705	0.200	0.012	3	-	-
VP275225-075	2.750	2.250	0.750	0.200	0.012	3	-	-
VP275225-082	2.750	2.250	0.820	0.200	0.012	3	-	-
VP275225-087	2.750	2.250	0.875	0.200	0.012	4	-	-
VP275225-100	2.750	2.250	1.000	0.200	0.012	3	2	-
VP276200-122	2.760	2.000	1.218	0.200	0.012	3	1	-
VP276220-068	2.764	2.200	0.681	0.200	0.012	2	-	-
VP278200-150	2.787	2.000	1.505	0.200	0.012	2	1	-
VP287212-118	2.875	2.125	1.187	0.200	0.012	4	-	-
VP287212-125	2.875	2.125	1.250	0.200	0.012	3	-	-
VP287212-125EI	2.875	2.125	1.240	0.200	0.012	2	1	-
VP287212-137	2.875	2.125	1.375	0.200	0.012	5	-	-
VP287225-093	2.875	2.250	0.937	0.200	0.012	3	-	-
VP287225-103	2.875	2.250	1.031	0.200	0.012	4	-	-
VP287225-109	2.875	2.250	1.084	0.200	0.012	2	1	-
VP287225-115DR	2.875	2.250	1.156	0.200	0.012	3	-	-
VP287225-118	2.875	2.250	1.187	0.200	0.012	5	-	-
VP287237-100	2.875	2.375	1.000	0.200	0.012	5	-	-
VP287250-087	2.875	2.500	0.875	0.200	0.012	5	-	-
VP293218-156	2.937	2.187	1.562	0.200	0.012	6	-	-
VP300200-100	3.000	2.000	1.000	0.200	0.012	1	-	-
VP300200-125	3.000	2.000	1.250	0.200	0.012	3	-	-

373 * Nominal Dimensions

Fluid Power

The Hydraulic Seal Specialists

VP Imperial Vee Pack



Part Number	*ØD1	*ØG	*L1	min C	max R1	No. of fabric V Rings	No. of Rubber/ Urethane V Rings	No. of PTFE V Rings
VP300200-150	3.000	2.000	1.500	0.200	0.012	3	-	-
VP300225-096	3.000	2.250	0.960	0.200	0.012	3	-	-
VP300225-100	3.000	2.250	1.000	0.200	0.012	3	-	-
VP300225-102	3.000	2.250	1.020	0.200	0.012	2	-	-
VP300225-106	3.000	2.250	1.060	0.200	0.012	3	-	-
VP300225-122	3.000	2.250	1.225	0.200	0.012	4	-	-
VP300225-125	3.000	2.250	1.250	0.200	0.012	3	-	-
VP300225-125EO	3.000	2.250	1.250	0.200	0.012	3	-	-
VP300225-128	3.000	2.250	1.281	0.200	0.012	4	-	-
VP300225-134DR	3.000	2.250	1.343	0.200	0.012	3	-	-
VP300237-100	3.000	2.375	0.990	0.200	0.012	3	-	-
VP300237-103	3.000	2.375	1.031	0.200	0.012	4	-	-
VP300237-109DR	3.000	2.375	1.093	0.200	0.012	3	-	-
VP300237-118	3.000	2.375	1.187	0.200	0.012	5	-	-
VP300250-071	3.000	2.500	0.718	0.200	0.012	3	-	-
VP300250-075	3.000	2.500	0.750	0.200	0.012	2	1	-
VP300250-077	3.000	2.500	0.777	0.200	0.012	3	-	-
VP300250-082	3.000	2.500	0.820	0.200	0.012	4	-	-
VP300250-087	3.000	2.500	0.875	0.200	0.012	3	1	-
VP300250-100	3.000	2.500	1.000	0.200	0.012	5	-	-
VP300250-100DR	3.000	2.500	1.000	0.200	0.012	3	-	-
VP300250-112	3.000	2.500	1.125	0.200	0.012	4	2	-
VP302225-103	3.020	2.250	1.030	0.200	0.012	3	-	-
VP302227-118	3.020	2.275	1.187	0.200	0.012	2	2	-
VP302245-067	3.020	2.450	0.671	0.200	0.012	2	-	-
VP303227-122	3.030	2.273	1.220	0.200	0.012	4	-	-
VP312237-125	3.125	2.375	1.250	0.200	0.012	4	-	-
VP312249-106	3.125	2.490	1.058	0.200	0.012	3	1	-
VP312250-087	3.125	2.500	0.875	0.200	0.012	3	-	-
VP312250-093	3.125	2.500	0.927	0.200	0.012	2	1	-
VP312250-096	3.125	2.500	0.961	0.200	0.012	3	-	-
VP312250-100DR	3.125	2.500	1.000	0.200	0.012	2	-	-
VP312250-112	3.125	2.500	1.125	0.200	0.012	3	2	-
VP312250-118	3.125	2.500	1.187	0.200	0.012	3	2	-
VP312262-087	3.125	2.625	0.875	0.200	0.012	2	2	-
VP312262-137	3.125	2.625	1.375	0.200	0.012	7	-	-
VP325225-150	3.250	2.250	1.500	0.200	0.012	4	-	-
VP325250-097	3.250	2.500	0.978	0.200	0.012	2	1	-
VP325250-100	3.250	2.500	1.000	0.200	0.012	2	1	-
VP325250-102	3.250	2.500	1.020	0.200	0.012	2	1	-

* Nominal Dimensions

Fluid Power

The Hydraulic Seal Specialists



VP Imperial Vee Pack

Part Number	*ØD1	*Ød1/		min C	max R1	No. of fabric V Rings	No. of Rubber/ Urethane V Rings	No. of PTFE V Rings
		*ØG	*L1					
VP325250-103EI	3.250	2.500	1.037	0.200	0.012	2	1	-
VP325250-106	3.250	2.500	1.066	0.200	0.012	3	-	-
VP325250-112	3.250	2.500	1.125	0.200	0.012	3	2	-
VP325250-122	3.250	2.500	1.222	0.200	0.012	3	-	-
VP325250-123EI	3.250	2.500	1.235	0.200	0.012	2	1	-
VP325250-125	3.250	2.500	1.250	0.200	0.012	4	-	-
VP325250-137	3.250	2.500	1.375	0.200	0.012	3	2	-
VP325250-143	3.250	2.500	1.437	0.200	0.012	4	-	-
VP325273-075DR	3.250	2.735	0.750	0.200	0.012	2	-	-
VP325275-075	3.250	2.750	0.750	0.200	0.012	3	-	-
VP325275-079	3.250	2.750	0.795	0.200	0.012	3	-	-
VP325275-087	3.250	2.750	0.875	0.200	0.012	4	-	-
VP325275-087DR	3.250	2.750	0.875	0.200	0.012	3	-	-
VP325275-100	3.250	2.750	1.000	0.200	0.012	4	1	-
VP327275-085	3.270	2.750	0.850	0.200	0.012	2	2	-
VP337262-106	3.375	2.625	1.063	0.200	0.012	2	1	-
VP337262-118	3.375	2.625	1.187	0.200	0.012	3	-	-
VP337262-125	3.375	2.625	1.250	0.200	0.012	3	-	-
VP337262-131	3.375	2.625	1.312	0.200	0.012	3	-	-
VP337262-197	3.375	2.625	1.975	0.200	0.012	6	-	-
VP337275-093EI	3.375	2.750	0.927	0.200	0.012	2	1	-
VP337275-103	3.375	2.750	1.031	0.200	0.012	2	2	-
VP337275-115DR	3.375	2.750	1.156	0.200	0.012	3	-	-
VP337287-100	3.375	2.875	1.000	0.200	0.012	4	-	-
VP343243-262	3.437	2.437	2.625	0.200	0.012	8	-	-
VP345270-106	3.450	2.700	1.062	0.200	0.012	2	1	-
VP345295-100	3.450	2.950	1.000	0.200	0.012	3	2	-
VP350250-125	3.500	2.500	1.250	0.200	0.012	3	-	-
VP350250-137	3.500	2.500	1.375	0.200	0.012	3	-	-
VP350250-250	3.500	2.500	2.500	0.200	0.012	8	-	-
VP350275-098	3.500	2.750	0.978	0.200	0.012	3	-	-
VP350275-100	3.500	2.750	1.000	0.200	0.012	3	-	-
VP350275-118	3.500	2.750	1.187	0.200	0.012	2	2	-
VP350275-125	3.500	2.750	1.250	0.200	0.012	3	-	-
VP350275-128	3.500	2.750	1.280	0.200	0.012	3	-	-
VP350275-131EO	3.500	2.750	1.309	0.200	0.012	3	-	-
VP350275-150	3.500	2.750	1.500	0.200	0.012	3	3	-
VP350287-105	3.500	2.875	1.037	0.200	0.012	2	1	-
VP350300-062	3.500	3.000	0.625	0.200	0.012	2	-	-
VP350300-072	3.500	3.000	0.725	0.200	0.012	3	-	-

375 * Nominal Dimensions

Fluid Power

The Hydraulic Seal Specialists

VP Imperial Vee Pack



Part Number	*ØD1	*ØG	*L1	min C	max R1	No. of fabric V Rings	No. of Rubber/ Urethane V Rings	No. of PTFE V Rings
VP350300-087	3.500	3.000	0.875	0.200	0.012	4	-	-
VP350300-090DR	3.500	3.000	0.900	0.200	0.012	3	-	-
VP350300-100	3.500	3.000	1.000	0.200	0.012	3	2	-
VP350300-100DR	3.500	3.000	1.000	0.200	0.012	3	-	-
VP350300-112	3.500	3.000	1.125	0.200	0.012	4	2	-
VP352275-103	3.520	2.750	1.030	0.200	0.012	3	-	-
VP352277-100	3.525	2.775	1.000	0.200	0.012	3	-	-
VP352277-125	3.525	2.775	1.250	0.200	0.012	3	1	-
VP352300-067	3.520	3.000	0.671	0.200	0.012	2	-	-
VP352300-089	3.520	3.000	0.890	0.200	0.012	2	2	-
VP353278-120	3.531	2.781	1.200	0.200	0.012	2	2	-
VP362287-125	3.625	2.875	1.250	0.200	0.012	3	-	-
VP362300-087	3.625	3.000	0.875	0.200	0.012	2	-	-
VP362300-087EO	3.625	3.000	0.875	0.200	0.012	2	-	-
VP362300-089	3.625	3.000	0.894	0.200	0.012	2	1	-
VP362300-091	3.625	3.000	0.918	0.200	0.012	3	-	-
VP362300-100	3.625	3.000	1.000	0.200	0.012	4	-	-
VP362300-100DR	3.625	3.000	1.000	0.200	0.012	2	-	-
VP362300-103	3.625	3.000	1.031	0.200	0.012	4	-	-
VP362300-112DR	3.625	3.000	1.125	0.200	0.012	3	-	-
VP362300-115DR	3.625	3.000	1.156	0.200	0.012	3	-	-
VP362300-118	3.625	3.000	1.187	0.200	0.012	3	-	-
VP375275-200	3.750	2.750	2.000	0.200	0.012	6	-	-
VP375300-097	3.750	3.000	0.970	0.200	0.012	3	-	-
VP375300-100	3.750	3.000	1.000	0.200	0.012	2	-	-
VP375300-105EI	3.750	3.000	1.053	0.200	0.012	2	1	-
VP375300-106	3.750	3.000	1.060	0.200	0.012	2	1	-
VP375300-113EO	3.750	3.000	1.130	0.200	0.012	3	-	-
VP375300-115	3.750	3.000	1.159	0.200	0.012	3	-	-
VP375300-118	3.750	3.000	1.187	0.200	0.012	2	2	-
VP375300-125	3.750	3.000	1.250	0.200	0.012	3	1	-
VP375300-131DR	3.750	3.000	1.312	0.200	0.012	3	-	-
VP375300-132	3.750	3.000	1.320	0.200	0.012	3	2	-
VP375300-137	3.750	3.000	1.375	0.200	0.012	3	2	-
VP375325-062	3.750	3.250	0.625	0.200	0.012	2	-	-
VP375325-082	3.750	3.250	0.820	0.200	0.012	4	-	-
VP375325-084EO	3.750	3.250	0.845	0.200	0.012	3	-	-
VP375325-100	3.750	3.250	1.000	0.200	0.012	5	-	-
VP375325-125	3.750	3.250	1.250	0.200	0.012	3	2	-
VP376319-089	3.767	3.196	0.889	0.200	0.012	3	2	-

* Nominal Dimensions

Fluid Power

The Hydraulic Seal Specialists



VP Imperial Vee Pack

Part Number	*ØD1	*ØG	*L1	min C	max R1	No. of fabric V Rings	No. of Rubber/ Urethane V Rings	No. of PTFE V Rings
VP377320-078	3.770	3.200	0.781	0.200	0.012	2	1	-
VP377320-083	3.770	3.200	0.828	0.200	0.012	2	2	-
VP387312-143	3.875	3.125	1.437	0.200	0.012	4	-	-
VP387325-100	3.875	3.250	1.000	0.200	0.012	4	-	-
VP387337-100	3.875	3.375	1.000	0.200	0.012	5	-	-
VP387337-112	3.875	3.375	1.125	0.200	0.012	6	-	-
VP400300-150	4.000	3.000	1.500	0.281	0.012	2	2	-
VP400300-212	4.000	3.000	2.125	0.281	0.012	6	-	-
VP400325-096	4.000	3.250	0.960	0.281	0.012	3	-	-
VP400325-110EO	4.000	3.250	1.107	0.281	0.012	3	-	-
VP400325-114	4.000	3.250	1.131	0.281	0.012	2	1	-
VP400325-118	4.000	3.250	1.187	0.281	0.012	4	-	-
VP400325-123	4.000	3.250	1.230	0.281	0.012	2	1	-
VP400325-125	4.000	3.250	1.250	0.281	0.012	4	-	-
VP400325-131DR	4.000	3.250	1.312	0.281	0.012	3	-	-
VP400325-137	4.000	3.250	1.375	0.281	0.012	5	-	-
VP400325-156	4.000	3.250	1.562	0.281	0.012	6	-	-
VP400337-083	4.000	3.375	0.833	0.281	0.012	3	-	-
VP400337-085EO	4.000	3.375	0.850	0.281	0.012	2	-	-
VP400337-087	4.000	3.375	0.875	0.281	0.012	3	-	-
VP400337-093	4.000	3.375	0.937	0.281	0.012	2	-	-
VP400337-103	4.000	3.375	1.031	0.281	0.012	4	-	-
VP400337-105EO	4.000	3.375	1.043	0.281	0.012	3	-	-
VP400337-121DR	4.000	3.375	1.218	0.281	0.012	3	-	-
VP400345-087	4.000	3.450	0.875	0.281	0.012	4	-	-
VP400350-065	4.000	3.500	0.659	0.281	0.012	2	1	-
VP400350-075	4.000	3.500	0.750	0.281	0.012	2	1	-
VP400350-076	4.000	3.500	0.762	0.281	0.012	3	-	-
VP400350-082	4.000	3.500	0.820	0.281	0.012	4	-	-
VP400350-093	4.000	3.500	0.937	0.281	0.012	4	-	-
VP400350-100	4.000	3.500	1.000	0.281	0.012	3	2	-
VP400350-100DR	4.000	3.500	1.000	0.281	0.012	3	-	-
VP400350-150	4.000	3.500	1.500	0.281	0.012	6	3	-
VP402325-100	4.020	3.250	1.000	0.281	0.012	3	-	-
VP402327-101	4.025	3.275	1.015	0.281	0.012	3	-	-
VP402327-118	4.025	3.275	1.187	0.281	0.012	3	-	-
VP402350-062	4.020	3.500	0.625	0.281	0.012	2	-	-
VP403328-115	4.031	3.281	1.156	0.281	0.012	2	2	-
VP412337-100	4.125	3.375	1.000	0.281	0.012	3	-	-
VP412337-115EI	4.125	3.375	1.146	0.281	0.012	2	1	-

377 * Nominal Dimensions

Fluid Power

The Hydraulic Seal Specialists

VP Imperial Vee Pack



Part Number	*ØD1	*ØG	*L1	min C	max R1	No. of fabric V Rings	No. of Rubber/ Urethane V Rings	No. of PTFE V Rings
VP412337-115	4.125	3.375	1.146	0.281	0.012	2	1	-
VP412337-118	4.125	3.375	1.187	0.281	0.012	4	-	-
VP412337-125	4.125	3.375	1.250	0.281	0.012	3	-	-
VP412348-115DR	4.125	3.485	1.156	0.281	0.012	3	-	-
VP412350-112	4.125	3.500	1.125	0.281	0.012	3	2	-
VP412365-075DR	4.125	3.650	0.750	0.281	0.012	2	-	-
VP418368-089	4.187	3.687	0.889	0.281	0.012	3	2	-
VP425325-150	4.250	3.250	1.500	0.281	0.012	2	2	-
VP425345-150	4.250	3.450	1.500	0.281	0.012	3	2	-
VP425350-087	4.250	3.500	0.875	0.281	0.012	2	-	-
VP425350-092EO	4.250	3.500	0.920	0.281	0.012	2	-	-
VP425350-100	4.250	3.500	1.000	0.281	0.012	3	-	-
VP425350-103	4.250	3.500	1.030	0.281	0.012	3	-	-
VP425350-103EO	4.250	3.500	1.030	0.281	0.012	3	-	-
VP425350-108	4.250	3.500	1.086	0.281	0.012	3	-	-
VP425350-112EO	4.250	3.500	1.125	0.281	0.012	2	1	-
VP425350-118	4.250	3.500	1.187	0.281	0.012	2	2	-
VP425350-121EO	4.250	3.500	1.210	0.281	0.012	3	1	-
VP425350-125	4.250	3.500	1.250	0.281	0.012	3	-	-
VP425350-131DR	4.250	3.500	1.312	0.281	0.012	3	-	-
VP425350-150	4.250	3.500	1.500	0.281	0.012	5	-	-
VP425375-082	4.250	3.750	0.820	0.281	0.012	4	-	-
VP425375-100	4.250	3.750	1.000	0.281	0.012	3	2	-
VP427350-103	4.270	3.500	1.030	0.281	0.012	2	-	-
VP427350-140	4.269	3.500	1.406	0.281	0.012	3	2	-
VP437337-175	4.375	3.375	1.750	0.281	0.012	3	-	-
VP437362-114	4.375	3.625	1.146	0.281	0.012	3	-	-
VP437373-115DR	4.375	3.735	1.156	0.281	0.012	3	-	-
VP437375-087	4.375	3.750	0.875	0.281	0.012	3	-	-
VP437375-090	4.375	3.750	0.900	0.281	0.012	3	-	-
VP437375-094	4.375	3.750	0.946	0.281	0.012	3	-	-
VP437375-106	4.375	3.750	1.062	0.281	0.012	2	2	-
VP450350-075	4.500	3.500	0.750	0.281	0.012	1	-	-
VP450350-125	4.500	3.500	1.250	0.281	0.012	3	-	-
VP450350-139	4.500	3.500	1.389	0.281	0.012	3	-	-
VP450350-139EO	4.500	3.500	1.381	0.281	0.012	3	-	-
VP450350-150	4.500	3.500	1.500	0.281	0.012	3	2	-
VP450350-175	4.500	3.500	1.750	0.281	0.012	3	-	-
VP450350-200	4.500	3.500	2.000	0.281	0.012	6	-	-
VP450375-102	4.500	3.750	1.020	0.281	0.012	3	-	-

* Nominal Dimensions

Fluid Power

The Hydraulic Seal Specialists



VP Imperial Vee Pack

Part Number	*ØD1	*ØG	*L1	min C	max R1	No. of fabric V Rings	No. of Rubber/ Urethane V Rings	No. of PTFE V Rings
VP450375-100EO	4.500	3.750	0.990	0.281	0.012	3	-	-
VP450375-109	4.500	3.750	1.090	0.281	0.012	3	-	-
VP450375-118	4.500	3.750	1.187	0.281	0.012	2	2	-
VP450375-131DR	4.500	3.750	1.312	0.281	0.012	3	-	-
VP450375-137	4.500	3.750	1.375	0.281	0.012	3	2	-
VP450387-085EO	4.500	3.875	0.850	0.281	0.012	2	-	-
VP450387-087	4.500	3.875	0.878	0.281	0.012	3	-	-
VP450387-093	4.500	3.875	0.937	0.281	0.012	2	-	-
VP450387-115DR	4.500	3.875	1.156	0.281	0.012	3	-	-
VP450393-080	4.500	3.937	0.803	0.281	0.012	2	1	-
VP450400-077	4.500	4.000	0.775	0.281	0.012	3	-	-
VP450400-087DR	4.500	4.000	0.875	0.281	0.012	2	-	-
VP450400-100	4.500	4.000	1.000	0.281	0.012	3	2	-
VP450400-103	4.500	4.000	1.032	0.281	0.012	3	-	-
VP450400-112	4.500	4.000	1.125	0.281	0.012	4	2	-
VP450400-128	4.500	4.000	1.289	0.281	0.012	4	-	-
VP452375-100	4.520	3.750	1.000	0.281	0.012	3	-	-
VP452375-122	4.520	3.750	1.218	0.281	0.012	3	1	-
VP452377-102	4.525	3.775	1.015	0.281	0.012	1	2	-
VP462362-175	4.625	3.625	1.750	0.281	0.012	3	-	-
VP462398-115DR	4.625	3.985	1.156	0.281	0.012	3	-	-
VP475375-175	4.750	3.750	1.750	0.281	0.012	3	-	-
VP475400-100	4.750	4.000	1.000	0.281	0.012	3	-	-
VP475400-112DR	4.750	4.000	1.125	0.281	0.012	2	-	-
VP475400-118	4.750	4.000	1.187	0.281	0.012	2	2	-
VP475425-087	4.750	4.250	0.875	0.281	0.012	2	2	-
VP475425-100	4.750	4.250	1.000	0.281	0.012	5	-	-
VP475425-125	4.750	4.250	1.250	0.281	0.012	4	3	-
VP477400-081	4.770	4.000	0.813	0.281	0.012	2	-	-
VP481406-100	4.812	4.062	1.000	0.281	0.012	3	-	-
VP487387-145	4.875	3.875	1.445	0.281	0.012	3	-	-
VP487387-175	4.875	3.875	1.750	0.281	0.012	3	-	-
VP487400-112	4.875	4.000	1.125	0.281	0.012	3	-	-
VP487400-131	4.875	4.000	1.312	0.281	0.012	4	-	-
VP487400-175	4.875	4.000	1.750	0.281	0.012	6	-	-
VP487437-100	4.875	4.375	1.000	0.281	0.012	4	-	-
VP500350-150	5.000	3.500	1.500	0.281	0.012	3	-	-
VP500350-162	5.000	3.500	1.625	0.281	0.012	3	-	-
VP500350-225	5.000	3.500	2.250	0.281	0.012	4	-	-
VP500375-243	5.000	3.750	2.437	0.281	0.012	4	-	-

379 * Nominal Dimensions

Fluid Power

The Hydraulic Seal Specialists

VP Imperial Vee Pack



Part Number	*ØD1	*ØG	*L1	min C	max R1	No. of fabric V Rings	No. of Rubber/ Urethane V Rings	No. of PTFE V Rings
VP500400-125EO	5.000	4.000	1.256	0.281	0.012	3	-	-
VP500400-131	5.000	4.000	1.312	0.281	0.012	3	-	-
VP500400-144	5.000	4.000	1.440	0.281	0.012	3	-	-
VP500400-150	5.000	4.000	1.500	0.281	0.012	4	-	-
VP500400-156	5.000	4.000	1.562	0.281	0.012	2	2	-
VP500400-162DR	5.000	4.000	1.625	0.281	0.012	2	-	-
VP500400-175	5.000	4.000	1.750	0.281	0.012	3	-	-
VP500425-100	5.000	4.250	1.000	0.281	0.012	3	-	-
VP500425-109	5.000	4.250	1.090	0.281	0.012	3	-	-
VP500425-118EO	5.000	4.250	1.187	0.281	0.012	3	-	-
VP500425-125	5.000	4.250	1.250	0.281	0.012	3	2	-
VP500425-150	5.000	4.250	1.500	0.281	0.012	5	-	-
VP500425-162	5.000	4.250	1.625	0.281	0.012	6	-	-
VP500425-175	5.000	4.250	1.750	0.281	0.012	7	-	-
VP500450-075	5.000	4.500	0.750	0.281	0.012	3	-	-
VP500450-087	5.000	4.500	0.875	0.281	0.012	4	-	-
VP500450-100	5.000	4.500	1.000	0.281	0.012	5	-	-
VP502427-102	5.025	4.275	1.015	0.281	0.012	1	2	-
VP503425-120	5.030	4.250	1.200	0.281	0.012	3	1	-
VP503425-134	5.030	4.250	1.344	0.281	0.012	3	2	-
VP503425-140EO	5.029	4.250	1.406	0.281	0.012	3	2	-
VP512412-175	5.125	4.125	1.750	0.281	0.012	3	-	-
VP512425-150	5.125	4.250	1.500	0.281	0.012	5	-	-
VP512448-115DR	5.125	4.485	1.156	0.281	0.012	3	-	-
VP512450-137	5.125	4.500	1.375	0.281	0.012	6	-	-
VP525425-162	5.250	4.250	1.625	0.281	0.012	4	-	-
VP525425-175	5.250	4.250	1.750	0.281	0.012	3	-	-
VP525450-100	5.250	4.500	1.000	0.281	0.012	2	1	-
VP525450-110	5.250	4.500	1.100	0.281	0.012	2	1	-
VP525450-125	5.250	4.500	1.250	0.281	0.012	3	2	-
VP525450-131DR	5.250	4.500	1.312	0.281	0.012	3	-	-
VP525450-150	5.250	4.500	1.500	0.281	0.012	6	-	-
VP525462-100	5.250	4.625	1.000	0.281	0.012	4	-	-
VP525475-087	5.250	4.750	0.875	0.281	0.012	4	-	-
VP525475-100	5.250	4.750	1.000	0.281	0.012	5	-	-
VP529470-100	5.292	4.700	1.000	0.281	0.012	2	2	-
VP537437-152	5.375	4.375	1.521	0.281	0.012	3	-	-
VP537437-175	5.375	4.375	1.750	0.281	0.012	3	-	-
VP537450-137	5.375	4.500	1.375	0.281	0.012	4	-	-
VP537462-118	5.375	4.625	1.187	0.281	0.012	4	-	-

* Nominal Dimensions

Fluid Power

The Hydraulic Seal Specialists



VP Imperial Vee Pack

Part Number	*ØD1	*ØG	*L1	min C	max R1	No. of fabric V Rings	No. of Rubber/ Urethane V Rings	No. of PTFE V Rings
VP537475-100	5.375	4.750	1.000	0.281	0.012	4	-	-
VP550450-125	5.500	4.500	1.250	0.281	0.012	3	-	-
VP550450-131EO	5.500	4.500	1.309	0.281	0.012	3	-	-
VP550450-150	5.500	4.500	1.496	0.281	0.012	3	1	-
VP550450-175	5.500	4.500	1.750	0.281	0.012	3	-	-
VP550450-325	5.500	4.500	3.250	0.281	0.012	9	-	-
VP550475-112	5.500	4.750	1.125	0.281	0.012	3	-	-
VP550475-118	5.500	4.750	1.187	0.281	0.012	2	2	-
VP550475-137	5.500	4.750	1.375	0.281	0.012	5	-	-
VP550500-087	5.500	5.000	0.875	0.281	0.012	2	2	-
VP550500-100	5.500	5.000	1.000	0.281	0.012	2	-	-
VP550500-112	5.500	5.000	1.125	0.281	0.012	4	2	-
VP552477-101	5.525	4.775	1.015	0.281	0.012	1	2	-
VP562462-141	5.625	4.625	1.411	0.281	0.012	3	-	-
VP562462-175	5.625	4.625	1.750	0.281	0.012	3	-	-
VP562475-150	5.625	4.750	1.500	0.281	0.012	5	-	-
VP562498-115DR	5.625	4.985	1.156	0.281	0.012	3	-	-
VP562500-103	5.625	5.000	1.031	0.281	0.012	4	-	-
VP562512-100	5.625	5.125	1.000	0.281	0.012	5	-	-
VP562512-112	5.625	5.125	1.125	0.281	0.012	6	-	-
VP575475-175	5.750	4.750	1.750	0.281	0.012	3	-	-
VP575498-131DR	5.750	4.985	1.312	0.281	0.012	3	-	-
VP575500-150	5.750	5.000	1.500	0.281	0.012	6	-	-
VP575525-125	5.750	5.250	1.250	0.281	0.012	3	2	-
VP587487-175	5.875	4.875	1.750	0.281	0.012	3	-	-
VP587500-131	5.875	5.000	1.312	0.281	0.012	4	-	-
VP600500-125	6.000	5.000	1.250	0.281	0.012	2	1	-
VP600500-126	6.000	5.000	1.265	0.281	0.012	3	-	-
VP600500-150EO	6.000	5.000	1.511	0.281	0.012	3	-	-
VP600500-175	6.000	5.000	1.750	0.281	0.012	3	-	-
VP600500-176	6.000	5.000	1.765	0.281	0.012	3	-	-
VP600500-200	6.000	5.000	2.000	0.281	0.012	4	-	-
VP600525-102	6.000	5.250	1.015	0.281	0.012	1	2	-
VP600525-105	6.000	5.250	1.055	0.281	0.012	3	-	-
VP600525-118	6.000	5.250	1.187	0.281	0.012	4	-	-
VP600550-075	6.000	5.500	0.750	0.281	0.012	3	-	-
VP600550-100	6.000	5.500	1.000	0.281	0.012	5	-	-
VP612512-175	6.125	5.125	1.750	0.281	0.012	3	-	-
VP625525-122	6.250	5.250	1.220	0.281	0.012	3	-	-
VP625525-125	6.250	5.250	1.250	0.281	0.012	3	-	-

381 * Nominal Dimensions

Fluid Power

The Hydraulic Seal Specialists

VP Imperial Vee Pack



Part Number	*ØD1	*Ød1/		min C	max R1	No. of fabric V Rings	No. of Rubber/ Urethane V Rings	No. of PTFE V Rings
		*ØG	*L1					
VP625525-200	6.250	5.250	2.000	0.281	0.012	6	-	-
VP625537-150	6.250	5.375	1.500	0.281	0.012	5	-	-
VP625550-100	6.250	5.500	1.000	0.281	0.012	3	-	-
VP625550-175	6.250	5.500	1.750	0.281	0.012	7	-	-
VP625575-100	6.250	5.750	1.000	0.281	0.012	5	-	-
VP625575-112	6.250	5.750	1.125	0.281	0.012	6	-	-
VP637537-175	6.375	5.375	1.750	0.281	0.012	3	-	-
VP637573-115DR	6.375	5.735	1.156	0.281	0.012	3	-	-
VP645570-106	6.450	5.700	1.062	0.281	0.012	2	1	-
VP650550-117	6.500	5.500	1.172	0.281	0.012	3	-	-
VP650550-146	6.500	5.500	1.459	0.281	0.012	3	-	-
VP650550-175	6.500	5.500	1.750	0.281	0.012	5	-	-
VP650575-100	6.500	5.750	1.000	0.281	0.012	3	-	-
VP650575-137	6.500	5.750	1.375	0.281	0.012	5	-	-
VP650600-067	6.500	6.000	0.675	0.281	0.012	3	-	-
VP650600-100	6.500	6.000	1.000	0.281	0.012	3	2	-
VP650600-112	6.500	6.000	1.125	0.281	0.012	4	2	-
VP653600-087	6.530	6.000	0.875	0.281	0.012	3	-	-
VP662562-175	6.625	5.625	1.750	0.281	0.012	3	-	-
VP662598-100DR	6.625	5.985	1.000	0.281	0.012	2	-	-
VP662598-115DR	6.625	5.985	1.156	0.281	0.012	3	-	-
VP675575-152	6.750	5.750	1.521	0.281	0.012	3	-	-
VP675575-175	6.750	5.750	1.750	0.281	0.012	5	-	-
VP675600-100	6.750	6.000	1.000	0.281	0.012	2	1	-
VP687587-175	6.875	5.875	1.750	0.281	0.012	3	-	-
VP687625-125	6.875	6.250	1.250	0.281	0.012	3	2	-
VP700575-262	7.000	5.750	2.625	0.281	0.012	5	-	-
VP700600-130	7.000	6.000	1.303	0.281	0.012	3	-	-
VP700600-137	7.000	6.000	1.375	0.281	0.012	3	-	-
VP700600-150	7.000	6.000	1.500	0.281	0.012	4	-	-
VP700600-175	7.000	6.000	1.750	0.281	0.012	5	-	-
VP700625-118	7.000	6.250	1.187	0.281	0.012	4	-	-
VP700650-087	7.000	6.500	0.875	0.281	0.012	2	2	-
VP700650-100	7.000	6.500	1.000	0.281	0.012	4	-	-
VP725600-175	7.250	6.000	1.750	0.281	0.012	4	-	-
VP725600-200	7.250	6.000	2.000	0.281	0.012	3	-	-
VP725650-137	7.250	6.500	1.375	0.281	0.012	5	-	-
VP725675-100	7.250	6.750	1.000	0.281	0.012	5	-	-
VP737675-125	7.375	6.750	1.250	0.281	0.012	3	2	-
VP750625-200	7.500	6.250	2.000	0.281	0.012	3	-	-

* Nominal Dimensions

Fluid Power

The Hydraulic Seal Specialists



VP Imperial Vee Pack

Part Number	*ØD1	*ØG	*L1	min C	max R1	No. of fabric V Rings	No. of Rubber/ Urethane V Rings	No. of PTFE V Rings
VP750625-231	7.500	6.250	2.312	0.281	0.012	4	-	-
VP750650-150	7.500	6.500	1.500	0.281	0.012	4	-	-
VP750675-118	7.500	6.750	1.187	0.281	0.012	4	-	-
VP750700-100	7.500	7.000	1.000	0.281	0.012	3	2	-
VP750700-112	7.500	7.000	1.125	0.281	0.012	4	2	-
VP775650-200	7.750	6.500	2.000	0.281	0.012	3	-	-
VP775698-131DR	7.750	6.985	1.312	0.281	0.012	3	-	-
VP775700-117	7.750	7.000	1.171	0.281	0.012	3	-	-
VP775725-087	7.750	7.250	0.875	0.281	0.012	3	2	-
VP800675-200	8.000	6.750	2.000	0.375	0.012	3	-	-
VP800700-125	8.000	7.000	1.250	0.375	0.012	3	-	-
VP800700-128	8.000	7.000	1.281	0.375	0.012	3	-	-
VP800700-175	8.000	7.000	1.750	0.375	0.012	3	2	-
VP800700-200	8.000	7.000	2.000	0.375	0.012	3	3	-
VP800712-125	8.000	7.125	1.240	0.375	0.012	3	-	-
VP800750-100	8.000	7.500	1.000	0.375	0.012	3	2	-
VP812750-125	8.125	7.500	1.250	0.375	0.012	3	2	-
VP825700-200	8.250	7.000	2.000	0.375	0.012	3	-	-
VP825750-109	8.250	7.500	1.093	0.375	0.012	2	3	-
VP850725-200	8.500	7.250	2.000	0.375	0.012	3	-	-
VP850800-075	8.500	8.000	0.750	0.375	0.012	2	1	-
VP850800-087	8.500	8.000	0.875	0.375	0.012	4	-	-
VP850800-100	8.500	8.000	1.000	0.375	0.012	3	2	-
VP862812-112	8.625	8.125	1.125	0.375	0.012	5	1	-
VP875750-231	8.750	7.500	2.312	0.375	0.012	4	-	-
VP875800-118	8.750	8.000	1.187	0.375	0.012	4	-	-
VP875825-112	8.750	8.250	1.125	0.375	0.012	6	-	-
VP900775-200	9.000	7.750	2.000	0.375	0.012	3	-	-
VP900800-200	9.000	8.000	2.000	0.375	0.012	6	-	-
VP900825-150	9.000	8.250	1.500	0.375	0.012	3	2	-
VP900850-100	9.000	8.500	1.000	0.375	0.012	3	2	-
VP925800-200	9.250	8.000	2.000	0.375	0.012	3	-	-
VP937875-125	9.375	8.750	1.250	0.375	0.012	6	-	-
VP950825-200	9.500	8.250	2.000	0.375	0.012	3	-	-
VP950850-175	9.500	8.500	1.750	0.375	0.012	5	-	-
VP950900-125	9.500	9.000	1.250	0.375	0.012	7	-	-
VP975912-125	9.750	9.125	1.250	0.375	0.012	3	2	-
VP1000875-200	10.000	8.750	2.000	0.375	0.012	3	-	-
VP1000900-150	10.000	9.000	1.490	0.375	0.012	3	-	-
VP1000900-187	10.000	9.000	1.875	0.375	0.012	5	-	-

383 * Nominal Dimensions

Fluid Power

The Hydraulic Seal Specialists

VP Imperial Vee Pack



Part Number	*ØD1	*ØG	*L1	min C	max R1	No. of fabric V Rings	No. of Rubber/ Urethane V Rings	No. of PTFE V Rings
VP1000950-100	10.000	9.500	1.000	0.375	0.012	5	-	-
VP1025900-189	10.250	9.000	1.896	0.375	0.012	3	-	-
VP1025900-200	10.250	9.000	2.000	0.375	0.012	3	-	-
VP1025950-118	10.250	9.500	1.187	0.375	0.012	4	-	-
VP1050925-200	10.500	9.250	2.000	0.375	0.012	3	-	-
VP1050950-187	10.500	9.500	1.875	0.375	0.012	5	-	-
VP1075950-200	10.750	9.500	2.000	0.375	0.012	3	-	-
VP1100975-200	11.000	9.750	2.000	0.375	0.012	3	-	-
VP11001000-150	11.000	10.000	1.490	0.375	0.012	3	-	-
VP11001000-187	11.000	10.000	1.875	0.375	0.012	5	-	-
VP11001050-100	11.000	10.500	1.000	0.375	0.012	5	-	-
VP11251000-200	11.250	10.000	2.000	0.375	0.012	3	-	-
VP11501025-200	11.500	10.250	2.000	0.375	0.012	3	-	-
VP11501050-187	11.500	10.500	1.875	0.375	0.012	5	-	-
VP11751050-231	11.750	10.500	2.312	0.375	0.012	4	-	-
VP11751056-177	11.750	10.562	1.771	0.375	0.012	3	-	-
VP12001075-231	12.000	10.750	2.312	0.375	0.012	4	-	-
VP12001100-187	12.000	11.000	1.875	0.375	0.012	5	-	-
VP12001125-125	12.000	11.250	1.250	0.375	0.012	2	2	-
VP12121062-212	12.125	10.625	2.115	0.375	0.012	3	-	-
VP12121137-112	12.125	11.375	1.115	0.375	0.012	3	-	-
VP12251100-200	12.250	11.000	2.000	0.375	0.012	3	-	-
VP12501125-200	12.500	11.250	2.000	0.375	0.012	3	-	-
VP12751150-200	12.750	11.500	2.000	0.375	0.012	3	-	-
VP13001175-200	13.000	11.750	2.000	0.375	0.012	3	-	-
VP13001200-150	13.000	12.000	1.490	0.375	0.012	3	-	-
VP13001200-187	13.000	12.000	1.875	0.375	0.012	5	-	-
VP13251200-200	13.250	12.000	2.000	0.375	0.012	3	-	-
VP13501225-200	13.500	12.250	2.000	0.375	0.012	3	-	-
VP13751250-200	13.750	12.500	2.000	0.375	0.012	3	-	-
VP14001275-200	14.000	12.750	2.000	0.375	0.012	3	-	-
VP14001300-187	14.000	13.000	1.875	0.375	0.012	5	-	-
VP14251300-200	14.250	13.000	2.000	0.375	0.012	3	-	-
VP14501325-200	14.500	13.250	2.000	0.375	0.012	3	-	-
VP14751350-200	14.750	13.500	2.000	0.375	0.012	3	-	-
VP15001375-200	15.000	13.750	2.000	0.375	0.012	3	-	-
VP15001400-150	15.000	14.000	1.490	0.375	0.012	3	-	-
VP15001400-187	15.000	14.000	1.875	0.375	0.012	5	-	-
VP15251400-200	15.250	14.000	2.000	0.375	0.012	3	-	-
VP15501425-200	15.500	14.250	2.000	0.375	0.012	3	-	-

* Nominal Dimensions

Fluid Power

The Hydraulic Seal Specialists



VP Imperial Vee Pack

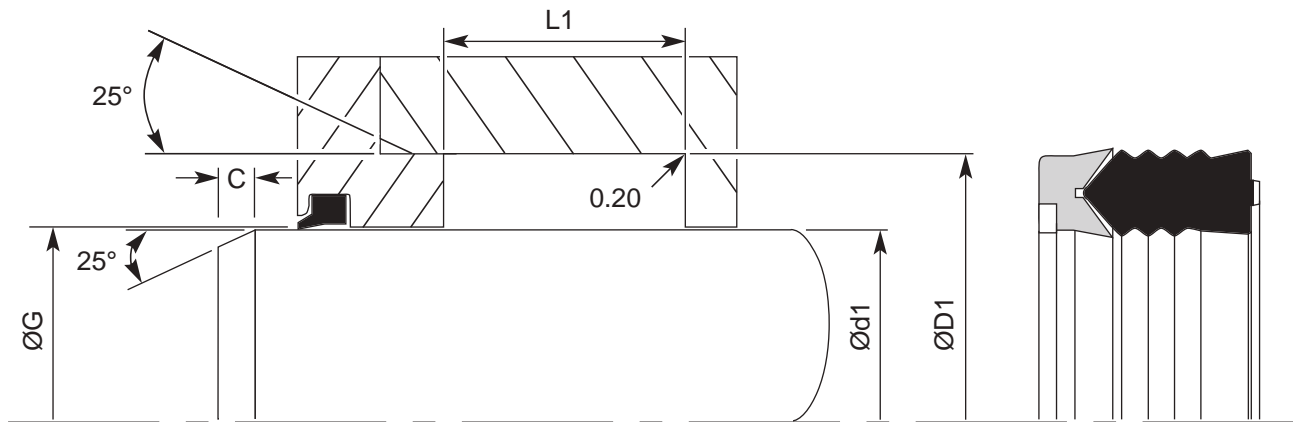
Part Number	*ØD1	*Ød1/ *ØG	*L1	min C	max R1	No. of fabric V Rings	No. of Rubber/ Urethane V Rings	No. of PTFE V Rings
VP15751450-200	15.750	14.500	2.000	0.375	0.012	3	-	-
VP16001450-225	16.000	14.500	2.240	0.375	0.012	3	-	-
VP16001475-200	16.000	14.750	2.000	0.375	0.012	3	-	-
VP16001500-187	16.000	15.000	1.875	0.375	0.012	5	-	-
VP16251500-231	16.250	15.000	2.312	0.375	0.012	4	-	-
VP16501525-200	16.500	15.250	2.000	0.375	0.012	3	-	-
VP16751550-200	16.750	15.500	2.000	0.375	0.012	3	-	-
VP17001575-200	17.000	15.750	2.000	0.375	0.012	3	-	-
VP17251600-200	17.250	16.000	2.000	0.375	0.012	3	-	-
VP17501600-325	17.500	16.000	3.250	0.375	0.012	4	-	-
VP18001650-287	18.000	16.500	2.875	0.375	0.012	3	-	-
VP18501700-287	18.500	17.000	2.875	0.375	0.012	3	-	-
VP19001750-287	19.000	17.500	2.875	0.375	0.012	3	-	-
VP19501800-287	19.500	18.000	2.875	0.375	0.012	3	-	-
VP20001850-287	20.000	18.500	2.875	0.375	0.012	3	-	-
VP20501900-287	20.500	19.000	2.875	0.375	0.012	3	-	-
VP21001950-287	21.000	19.500	2.875	0.375	0.012	3	-	-
VP21502000-287	21.500	20.000	2.875	0.375	0.012	3	-	-

385 * Nominal Dimensions

Fluid Power

The Hydraulic Seal Specialists

GM Metric Gland Master



Tolerances

	$\varnothing D1$	$\varnothing d1$	$\varnothing G$	$L1$
0-80	± 0.03	h11	± 0.07	+0.25/ -0.00
81-120	± 0.04		± 0.07	
121-250	± 0.05		± 0.10	

Operating Conditions

Max Speed	Temp Range
m/s	-30° to 100°C
0.50	700 Bar

GM-EI is a three piece seal consisting of a nitrile rubber sealing element, a header manufactured from either fabric reinforced nitrile or polyester elastomer and a polyacetal anti-extrusion ring for rod applications. The complete seal forms a robust seal suitable for high pressure applications.

The nitrile sealing element is designed with multiple sealing lips so that GM-EI can tolerate vibration and severe misalignment.

Some sizes have a split rubber element to assist fitting. If you require this please check with the FPE sales team to see if the size you require is available with a split.

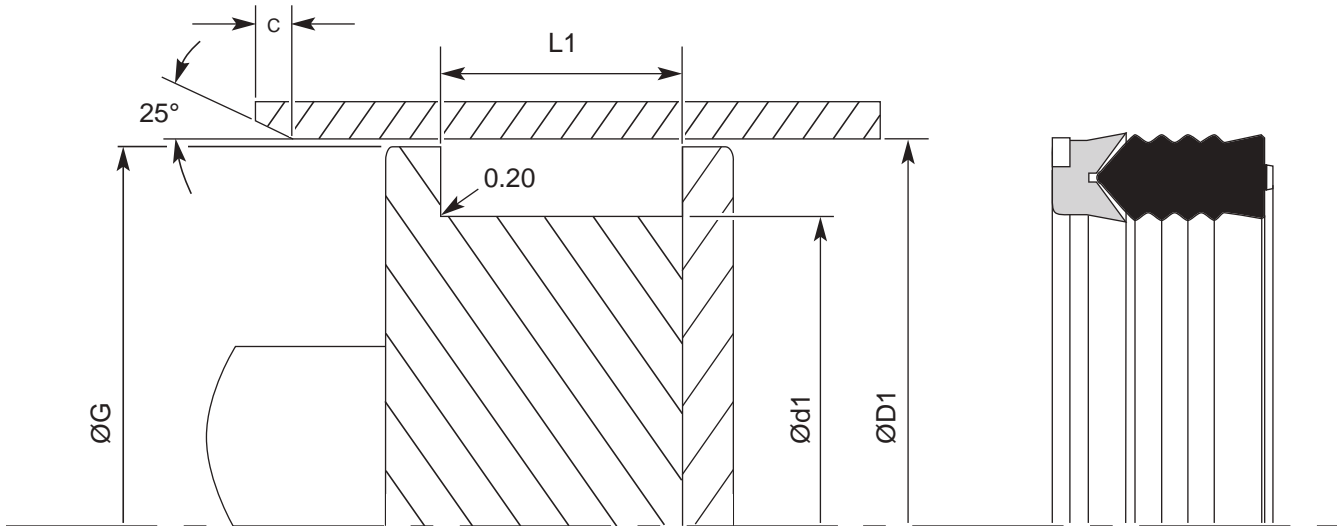
There are several designs available, please see page 388 for a selection of the range available.

Fluid Power

The Hydraulic Seal Specialists



GM Metric Gland Master



Tolerances

	ØD1	Ød1	ØG	L1
0-80	±0.03	h11	±0.07	+0.25 / -0.00
81-120	±0.04		±0.07	
121-250	±0.05		±0.10	

Operating Conditions

Max Speed	Temp Range
m/s	-30° to 100°C
0.50	700 Bar

GM-EO is a three piece seal consisting of a nitrile rubber sealing element, a header manufactured from either fabric reinforced nitrile or polyester elastomer and a polyacetal anti-extrusion ring for piston applications. The complete seal forms a robust seal suitable for high pressure applications.

The nitrile sealing element is designed with multiple sealing lips so that GM-EO can tolerate vibration and severe misalignment.

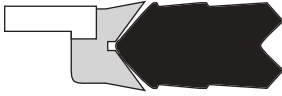
Some sizes have a split rubber element to assist fitting. If you require this please check with the FPE sales team to see if the size you require is available split.

There are several designs available, please see page 388 for a selection of the range available.

Fluid Power

The Hydraulic Seal Specialists

GM Metric Gland Master



As for **GM-EI** except with a wear ring fitted to the outside of the seal for piston applications.

GM-WO



As for **GM-EI** except with a wear ring fitted to the inside of the seal for rod applications.

GM-WI

Fluid Power

The Hydraulic Seal Specialists



GM Metric Gland Master

Part Number	*ØD1	*Ød1	*L1	*ØG	min C
GM27-15-20EI	27.00	15.00	20.00	15.40	5.00
GM30-18-22.5EI	30.00	18.00	22.50	18.40	5.00
GM33-20-20EI	33.00	20.00	20.00	20.40	5.00
GM35-22-20EI	35.00	22.00	20.00	22.40	5.00
GM37-25-22.5EI	37.00	25.00	22.50	25.40	5.00
GM38-25-20EI	38.00	25.00	20.00	25.40	5.00
GM41-28-20EI	41.00	28.00	20.00	28.40	5.00
GM43-30-20EI	43.00	30.00	20.00	30.40	5.00
GM45-35-25.5EI	45.00	35.00	25.59	35.40	5.00
GM47-32-22.5EI	47.00	32.00	22.50	32.40	5.00
GM47-35-22.5EI	47.00	35.00	22.50	35.40	5.00
GM50-35-22.5EI	50.00	35.00	22.50	35.40	5.00
GM50-35-26.5EI	50.00	35.00	26.50	35.40	5.00
GM50-40-17.3EI	50.00	40.00	17.30	40.40	5.00
GM51-36-22.5EI	51.00	36.00	22.50	36.40	5.00
GM52-40-22.5EI	52.00	40.00	22.50	40.40	5.00
GM55-40-22.5EI	55.00	40.00	22.62	40.40	5.00
GM57-42-22.5EI	57.00	42.00	22.50	42.40	5.00
GM60-40-30EI	60.00	40.00	30.00	40.40	5.00
GM60-45-22.5EI	60.00	45.00	22.50	45.40	5.00
GM63-50-20EI	63.00	50.00	20.00	50.40	5.00
GM63-50-20WI	63.00	50.00	20.00	50.40	5.00
GM63-50-23.7EI	63.00	50.00	23.70	50.40	5.00
GM65-45-28EI	65.00	45.00	28.00	45.40	5.00
GM65-50-22.5EI	65.00	50.00	22.50	50.40	5.00
GM65-50-24.5EI	65.00	50.00	24.50	50.40	5.00
GM65-50-26.5EI	65.00	50.00	26.50	50.40	5.00
GM70-50-30EI	70.00	50.00	30.00	50.40	5.00
GM70-50-32EI	70.00	50.00	31.90	50.40	5.00
GM70-50-32WO	70.00	50.00	31.90	69.60	5.00
GM70-55-22.5EI	70.00	55.00	22.50	55.40	5.00
GM70-55-25EI	70.00	55.00	25.00	55.40	5.00
GM71-56-25EI	71.00	56.00	25.00	56.40	5.00
GM75-55-30EI	75.00	55.00	30.00	55.40	5.00
GM75-55-32EI	75.00	55.00	32.00	55.40	5.00
GM75-60-22.5EI	75.00	60.00	22.50	60.40	5.00
GM75-60-25EI	75.00	60.00	25.00	60.40	5.00
GM76-56-28EI	76.00	56.00	28.00	56.40	5.00
GM77-60-27EI	77.00	60.00	27.00	60.40	5.00
GM80-45-45EI	80.00	45.00	45.00	45.40	5.00

Fluid Power

The Hydraulic Seal Specialists

GM Metric Gland Master



Part Number	*ØD1	*Ød1	*L1	*ØG	min C
GM80-60-30EI	80.00	60.00	30.00	60.40	5.00
GM80-60-32EI	80.00	60.00	32.00	60.40	5.00
GM80-60-32WO	80.00	60.00	32.00	79.60	5.00
GM80-60-35EI	80.00	60.00	34.90	60.40	5.00
GM80-65-22.5EI	80.00	65.00	22.50	65.40	5.00
GM83-63-27EI	83.00	63.00	27.00	63.40	5.00
GM83-63-29EI	83.00	63.00	29.00	63.40	5.00
GM83-63-30EI	83.00	63.00	30.00	63.40	5.00
GM83-70-25EI	83.00	70.00	25.00	70.40	5.00
GM85-65-27WO	85.00	65.00	27.00	84.60	5.00
GM85-65-29EI	85.00	65.00	29.00	65.40	5.00
GM85-70-22.5EI	85.00	70.00	22.50	70.40	5.00
GM85-70-25EI	85.00	70.00	25.00	70.40	5.00
GM90-70-30EI	90.00	70.00	30.00	70.40	5.00
GM90-70-32EI	90.00	70.00	31.90	70.40	5.00
GM90-70-35EI	90.00	70.00	35.00	70.40	5.00
GM93-78-19EI	93.00	78.00	19.00	78.40	5.00
GM95-75-28EI	95.00	75.00	28.00	75.40	5.00
GM95-75-30EI	95.00	75.00	30.00	75.40	5.00
GM95-75-35EI	95.00	75.00	35.00	75.40	5.00
GM95-80-22.5EI	95.00	80.00	22.50	80.40	5.00
GM96.5-76.5-32.5EI	96.50	76.50	32.50	76.90	5.00
GM98-83-22.5EI	98.00	83.00	22.50	83.40	5.00
GM98-85-25EI	98.00	85.00	25.00	85.40	5.00
GM100-80-30WO	100.00	80.00	30.00	99.60	7.00
GM100-80-30EI	100.00	80.00	30.00	80.40	7.00
GM100-80-40EI	100.00	80.00	40.00	80.40	7.00
GM100-85-22.5EI	100.00	85.00	22.50	85.40	7.00
GM100-88-20EI	100.00	88.00	20.00	88.40	7.00
GM105-85-30EI	105.00	85.00	30.00	85.40	7.00
GM105-90-22.5EI	105.00	90.00	22.50	90.40	7.00
GM105-90-25EI	105.00	90.00	25.00	90.40	7.00
GM105-90-33.5EI	105.00	90.00	33.50	90.40	7.00
GM110-90-30EI	110.00	90.00	30.00	90.40	7.00
GM110-90-32.5EI	110.00	90.00	32.50	90.40	7.00
GM110-95-22.5EI	110.00	95.00	22.50	95.40	7.00
GM110-95-22.5EO	110.00	95.00	22.50	109.60	7.00
GM115-95-28EI	115.00	95.00	28.00	95.40	7.00
GM118-105-25EI	118.00	105.00	25.00	105.40	7.00
GM120-100-30EI	120.00	100.00	30.00	100.40	7.00

* Nominal Dimensions

Fluid Power

The Hydraulic Seal Specialists



GM Metric Gland Master

Part Number	*ØD1	*Ød1	*L1	*ØG	min C
GM120-105-34EI	120.00	105.00	34.00	105.40	7.00
GM125-105-30EI	125.00	105.00	30.00	105.40	7.00
GM125-105-35.5EI	125.00	105.00	35.50	105.40	7.00
GM125-110-22.5EI	125.00	110.00	22.50	110.40	7.00
GM130-110-30EI	130.00	110.00	30.00	110.40	7.00
GM130-110-32.5EI	130.00	110.00	32.50	110.40	7.00
GM130-114-19EI	130.00	114.00	19.00	114.40	7.00
GM130-115-22.5EI	130.00	115.00	22.50	115.40	7.00
GM130-115-30EI	130.00	115.00	30.00	115.40	7.00
GM132-110-36.5EI	132.00	110.00	36.51	110.40	7.00
GM133-118-22.5EI	133.00	118.00	22.50	118.40	7.00
GM140-120-30EI	140.00	120.00	30.00	120.40	7.00
GM140-125-22.5EI	140.00	125.00	22.50	125.40	7.00
GM140-125-32.5EI	140.00	125.00	32.50	125.40	7.00
GM142-127-22.5EI	142.00	127.00	22.50	127.40	7.00
GM144-132-20EI	144.00	132.00	20.00	132.40	7.00
GM145-125-29.6EI	145.00	125.00	29.62	125.40	7.00
GM145-125-30EI	145.00	125.00	30.00	125.40	7.00
GM150-130-28EI	150.00	130.00	28.00	130.40	7.00
GM150-130-30EI	150.00	130.00	30.00	130.40	7.00
GM150-135-22.5EI	150.00	135.00	22.50	135.40	7.00
GM155-135-28EI	155.00	135.00	28.00	135.40	7.00
GM155-140-21EI	155.00	140.00	21.00	140.40	7.00
GM155-140-22.5EI	155.00	140.00	22.50	140.40	7.00
GM160-140-22.5EI	160.00	140.00	22.50	140.40	7.00
GM160-140-28EI	160.00	140.00	28.00	140.40	7.00
GM160-140-30EI	160.00	140.00	30.00	140.40	7.00
GM160-145-28.5EI	160.00	145.00	28.50	145.40	7.00
GM165-145-22.5EI	165.00	145.00	22.50	145.40	7.00
GM165-145-28EI	165.00	145.00	28.00	145.40	7.00
GM165-150-22.5EI	165.00	150.00	22.50	150.40	7.00
GM167-152-22.5EI	167.00	152.00	22.50	152.40	7.00
GM170-150-28EI	170.00	150.00	28.00	150.40	7.00
GM175-155-22.5EI	175.00	155.00	22.50	155.40	7.00
GM175-155-28EI	175.00	155.00	28.00	155.40	7.00
GM180-158.5-28EI	180.00	158.50	28.00	158.90	7.00
GM180-160-28EI	180.00	160.00	28.00	160.40	7.00
GM185-165-30EI	185.00	165.00	30.00	165.40	7.00
GM185-170-22.5EI	185.00	170.00	22.50	170.40	7.00
GM192-172-22.5EI	192.00	172.00	22.50	172.40	7.00

391 * Nominal Dimensions

Fluid Power

The Hydraulic Seal Specialists

GM Metric Gland Master



Part Number	*ØD1	*Ød1	*L1	*ØG	min C
GM192-177-22.5EI	192.00	177.00	22.50	177.40	7.00
GM195-170-35EI	195.00	170.00	30.00	170.40	7.00
GM195-175-22.5EI	195.00	175.00	22.50	175.40	7.00
GM195-175-30EI	195.00	175.00	30.00	175.40	7.00
GM200-185-22.5EI	200.00	185.00	22.50	185.40	10.00
GM202-187-22.5EI	202.00	187.00	22.50	187.40	10.00
GM205-180-35EI	205.00	180.00	35.00	180.40	10.00
GM207-187-22.5EI	207.00	187.00	22.50	187.40	10.00
GM210-185-35EI	210.00	185.00	35.00	185.40	10.00
GM210-192-22.5EI	210.00	192.00	22.50	192.40	10.00
GM210-195-22.5EI	210.00	195.00	22.50	195.40	10.00
GM215-190-35EI	215.00	190.00	35.00	190.40	10.00
GM215-200-22.5EI	215.00	200.00	22.50	200.40	10.00
GM225-200-35EI	225.00	200.00	35.00	200.40	10.00
GM225-207-22.5EI	225.00	207.00	22.50	207.40	10.00
GM227-207-22.5EI	227.00	207.00	22.50	207.40	10.00
GM230-210-22.5EI	230.00	210.00	22.50	210.40	10.00
GM230-212-22.5EI	230.00	212.00	22.50	212.40	10.00
GM232-212-22.5EI	232.00	212.00	22.50	212.40	10.00
GM240-215-35EI	240.00	215.00	35.00	215.40	10.00
GM240-220-21EI	240.00	220.00	21.00	220.40	10.00
GM240-220-22.5EI	240.00	220.00	22.50	220.40	10.00
GM240-225-22.5EI	240.00	225.00	22.50	225.40	10.00
GM245-220-35EI	245.00	220.00	35.00	220.40	10.00
GM250-225-35EI	250.00	225.00	35.00	225.40	10.00
GM250-230-22.5EI	250.00	230.00	22.50	230.40	10.00
GM255-230-35EI	255.00	230.00	35.00	230.40	10.00
GM255-235-22.5EI	255.00	235.00	22.50	235.40	10.00
GM260-240-28EI	260.00	240.00	28.00	240.40	10.00
GM265-240-35EI	265.00	240.00	35.00	240.40	10.00
GM275-250-35EI	275.00	250.00	35.00	250.40	10.00
GM280-260-22.5EI	280.00	260.00	22.50	260.40	10.00
GM280-260-30EI	280.00	260.00	30.00	260.40	10.00
GM285-265-22.5EI	285.00	265.00	22.50	265.40	10.00
GM290-265-35EI	290.00	265.00	35.00	265.40	10.00
GM300-275-35EI	300.00	275.00	35.00	275.40	10.00
GM303-283-22.5EI	303.00	283.00	22.50	283.40	10.00
GM305-280-35EI	305.00	280.00	35.00	280.40	10.00
GM308-288-22.5EI	308.00	288.00	22.50	288.40	10.00
GM325-300-35EI	325.00	300.00	35.00	300.40	10.00

* Nominal Dimensions

Fluid Power

The Hydraulic Seal Specialists



GM

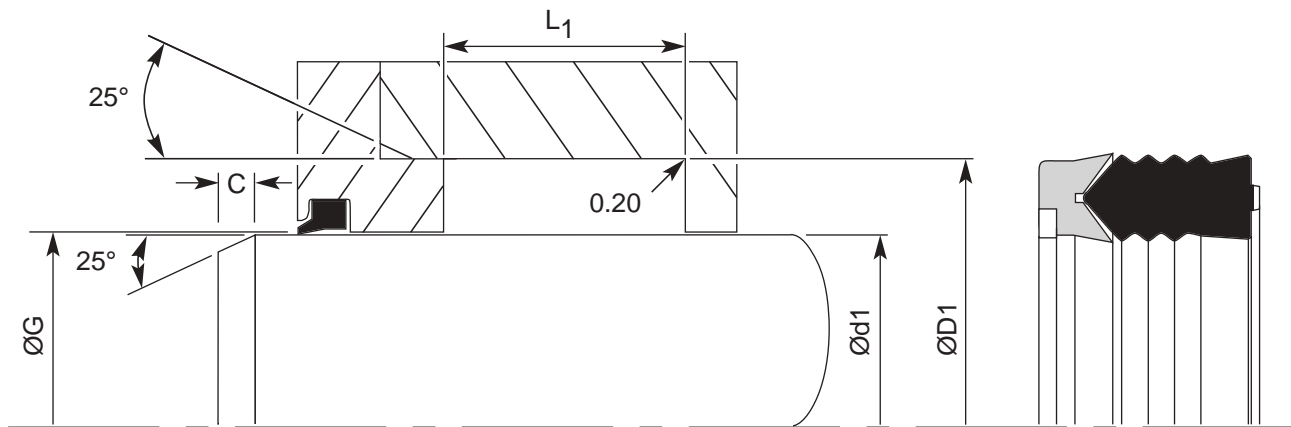
Metric Gland Master

Part Number	*ØD1	*Ød1	*L1	*ØG	min C
GM335-315-30.5EI	335.00	315.00	30.50	315.40	10.00
GM360-335-35EI	360.00	335.00	35.00	335.40	10.00

Fluid Power

The Hydraulic Seal Specialists

GM Imperial Gland Master



Tolerances

ØD1	Ød1	ØG	L1
±0.002	h11	±0.003	+0.010/ -0.000
±0.002		±0.003	
±0.002		±0.004	

Operating Conditions

Max Speed	Temp Range
m/s	-30° to 100°C
0.50	700 Bar

GM-EI is a three piece seal consisting of a nitrile rubber sealing element, a header manufactured from either fabric reinforced nitrile or polyester elastomer and a polyacetal anti-extrusion ring for rod applications. The complete seal forms a robust seal suitable for high pressure applications.

The nitrile sealing element is designed with multiple sealing lips so that GM-EI can tolerate vibration and severe misalignment.

Some sizes have a split rubber element to assist fitting. If you require this please check with the FPE sales team to see if the size you require is available with a split.

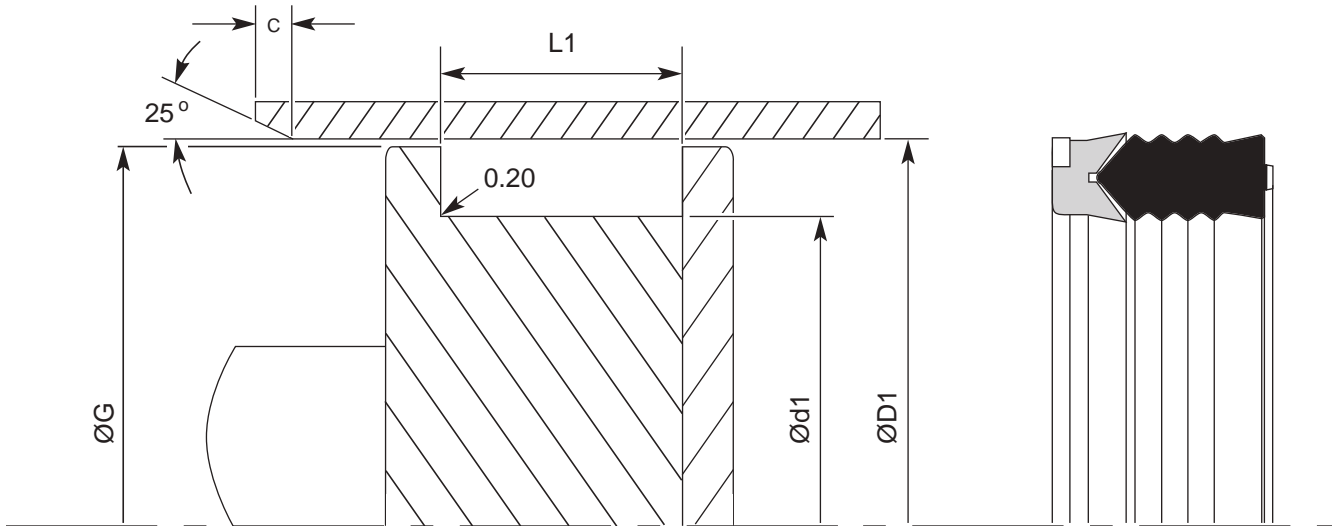
There are several designs available, please see page 396 for a selection of the range available.

Fluid Power

The Hydraulic Seal Specialists



GM Imperial Gland Master



Tolerances

ØD1	Ød1	ØG	L1
±0.002	h11	±0.003	+0.010/ -0.000
±0.002		±0.003	
±0.002		±0.004	

Operating Conditions

Max Speed	Temp Range
m/s	-30° to 100°C
0.50	700 Bar

GM-EO is a three piece seal consisting of a nitrile rubber sealing element, a header manufactured from either fabric reinforced nitrile or polyester elastomer and a polyacetal anti-extrusion ring for piston applications. The complete seal forms a robust seal suitable for high pressure applications.

The nitrile sealing element is designed with multiple sealing lips so that GM-EO can tolerate vibration and severe misalignment.

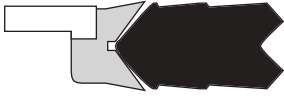
Some sizes have a split rubber element to assist fitting. If you require this please check with the FPE sales team to see if the size you require is available with a split.

There are several designs available, please see page 396 for a selection of the range available.

Fluid Power

The Hydraulic Seal Specialists

GM Imperial Gland Master



GM-WO

As for **GM-EI** except with a wear ring fitted to the outside of the seal for piston applications.

Fluid Power

Fluid Power

The Hydraulic Seal Specialists



GM

Imperial **G**land **M**aster

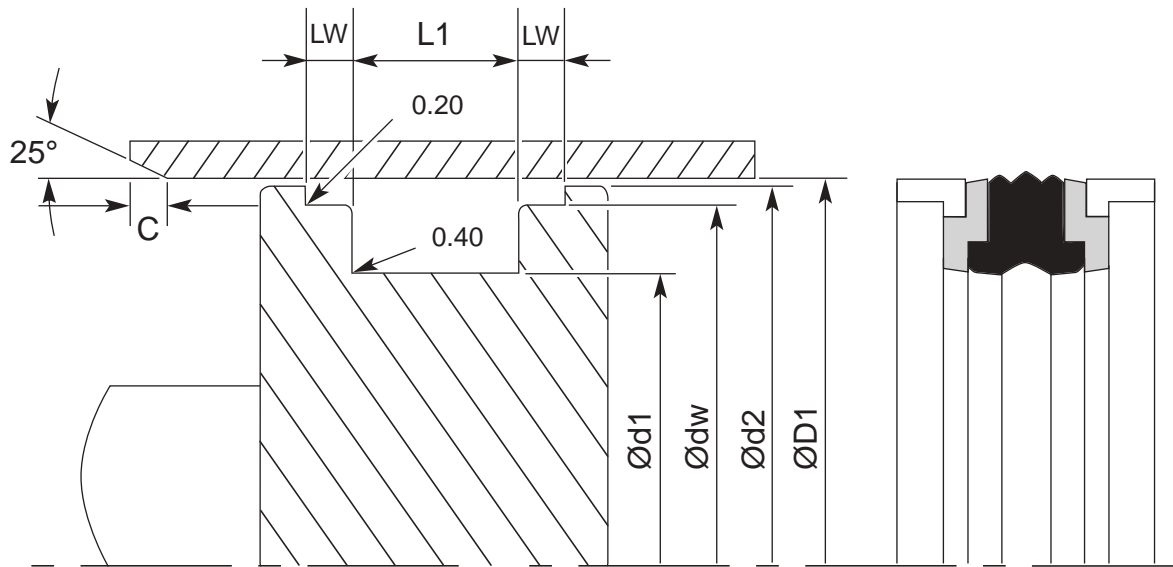
Part Number	*ØD1	*Ød1	*L1	*ØG	min C
GM150100-075EI	1.500	1.000	0.750	1.016	0.200
GM175125-075EI	1.750	1.250	0.750	1.266	0.200
GM187137-079EI	1.875	1.375	0.792	1.391	0.200
GM200150-075EI	2.000	1.500	0.750	1.516	0.200
GM200150-094EI	2.000	1.500	0.939	1.516	0.200
GM212150-098EI	2.125	1.500	0.980	1.516	0.200
GM237175-100EI	2.375	1.750	1.000	1.766	0.200
GM237175-106EI	2.375	1.750	1.060	1.766	0.200
GM250200-085EI	2.500	2.000	0.850	2.016	0.200
GM250200-094EI	2.500	2.000	0.940	2.016	0.200
GM262200-100EI	2.625	2.000	1.000	2.016	0.200
GM287225-087EI	2.875	2.250	0.879	2.266	0.200
GM287225-109EI	2.875	2.250	1.093	2.266	0.200
GM300250-082EI	3.000	2.500	0.825	2.516	0.200
GM300250-085EI	3.000	2.500	0.850	2.516	0.200
GM325250-105EI	3.250	2.500	1.047	2.516	0.200
GM325250-123EI	3.250	2.500	1.230	2.516	0.200
GM350275-100EI	3.500	2.750	1.016	2.766	0.200
GM350275-131EI	3.500	2.750	1.307	2.766	0.200
GM362300-087EI	3.625	3.000	0.875	3.016	0.200
GM375300-097EI	3.750	3.000	0.970	3.016	0.200
GM375300-100EI	3.750	3.000	1.000	3.016	0.200
GM375300-131EI	3.750	3.000	1.307	3.016	0.200
GM400325-100WO	4.000	3.250	1.000	3.981	0.281
GM400337-087EI	4.000	3.375	0.875	3.391	0.281
GM425350-114EI	4.250	3.500	1.140	3.516	0.281
GM425350-120EI	4.250	3.500	1.203	3.516	0.281
GM450387-087EO	4.500	3.875	0.875	4.484	0.281
GM450393-095EI	4.500	3.937	0.953	3.952	0.281
GM475400-080EI	4.750	4.000	0.800	4.016	0.281
GM500400-150EO	5.000	4.000	1.500	4.984	0.281
GM500425-112EI	5.000	4.250	1.125	4.266	0.281
GM525450-100EI	5.250	4.500	1.016	4.516	0.281
GM550450-112EI	5.500	4.500	1.125	4.516	0.281

Fluid Power

The Hydraulic Seal Specialists

DM-WO

Metric **D**ouble Acting **M**onobloc Piston Seal with **W**ear Rings **O**utside Working



Tolerances

ØD1	Ød1	Ødw	Ød2	L1	LW
H10	h9	h9	h11	+0.20 -0.00	+0.10 -0.00

Operating Conditions

Max Speed	Temp Range
m/s	-30° to 100°C
0.50	300 Bar
0.15	400 Bar

These operating conditions are only a guide. Please check with the FPE sales team to ensure that the seal you are ordering is suitable for the application.

DM-WO is primarily designed for use with one piece pistons, however, it may also be fitted to pistons of a split design. The DM-WO may be made up of three, four or five components. The seal design may vary and it is recommended that you check with the FPE sales team to ensure that you get the correct design. See page 399 & 400 for further designs and details.

Fluid Power

The Hydraulic Seal Specialists



DM-WO

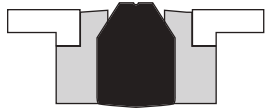
Metric **D**ouble Acting **M**onobloc Piston Seal with **W**ear Rings **O**utside Working

DM-WO/EO Type A



Type A is a standard five part seal consisting of a precision moulded Nitrile sealing element, two Polyester support rings and two Polyacetal wear rings or anti-extrusion rings. The Nitrile element has multiple sealing lips which both reduces friction and provides excellent sealing properties.

DM-WO/EO Type B



Type B is a standard five part seal consisting of a precision moulded Nitrile sealing element, two Polyester support rings and two split Polyacetal wear rings or anti-extrusion rings.

DM-LO Type C



DM-LO Type C is a non-standard four part seal consisting of either a precision moulded Polyurethane or fabric reinforced Nitrile sealing element, a Nitrile energiser and two split, full depth L-shaped or T-shaped Polyacetal wear rings.

DM-LO Type D



DM-LO Type D is a standard five part seal consisting of a precision moulded Nitrile sealing element with either two endless PTFE anti-extrusion rings or two split polyester support rings and two full depth L-shaped Polyacetal wear rings.

Fluid Power

The Hydraulic Seal Specialists

DM-WO

Metric **D**ouble Acting **M**onobloc Piston Seal with **W**ear Rings **O**utside Working



DM-WO Type F



DM-WO Type F is a light duty three part seal designed for a solid piston. Consisting of a precision moulded Nitrile sealing element with two split Polyacetal wear rings.

DM-EO Type G



DM-EO Type G is a three part seal designed for a solid piston. Consisting of a precision moulded fabric reinforced Nitrile sealing element with two split Polyacetal anti-extrusion rings.

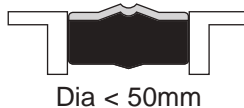
DM-EO-TAPERED Type H



DM-EO Type H is a three part seal designed for a solid piston. Consisting of a precision moulded Nitrile sealing element with two split Phenolic wear rings.

This seal is designed for a housing with sloping sides rather than the conventional square groove.

DM-WO Type J



DM-WO Type J is a three part seal designed for a solid piston. Consisting of a precision moulded fabric reinforced Nitrile sealing element with two split Polyacetal wear rings.

For pistons 50mm & less the wear rings usually have an inside diameter that is smaller than the Nitrile element and fit a housing to suit.

Fluid Power

The Hydraulic Seal Specialists



DM-WO

Metric **D**ouble Acting **M**onobloc Piston Seal with **W**ear Rings **O**utside Working

Part Number	*ØD1	*Ød1	*L1	LW	Ødw	Ød2	C	min
DM20-11-13.5-18WO	20.00	11.00	13.50	2.10	17.00	19.00	5.00	
DM22-13-13.5-18WO	22.00	13.00	13.50	2.10	19.00	21.00	5.00	
DM25-15-12-20WO	25.00	15.00	12.00	4.00	21.00	23.00	5.00	
DM25-15-12.5EO	25.00	15.00	12.50	-	-	24.00	5.00	
DM25-15-12.5-20.5WO	25.00	15.00	12.50	4.00	22.00	24.00	5.00	
DM25-15-16EO	25.00	15.00	16.40	-	-	23.50	5.00	
DM25-15-16-29WO	25.00	15.00	16.40	6.35	21.45	23.50	5.00	
DM25-16-13.5-18WO	25.00	16.00	13.50	2.10	22.00	24.00	5.00	
DM25-17-8-16WO	25.00	17.00	8.00	4.00	22.10	24.00	5.00	
DM25-17-9.5EO	25.00	17.00	9.50	-	-	24.80	5.00	
DM25-17-10-18WO	25.00	17.00	10.00	4.00	22.00	24.00	5.00	
DM25-17-13.5-20WO	25.00	17.00	13.50	3.20	21.00	24.40	5.00	
DM25-17-13.5-20LO 14ID	25.00	17.00	13.50	3.20	21.00	24.40	5.00	
DM25-17.5-8.5-15WO	25.00	17.50	8.50	3.25	21.30	24.00	5.00	
DM28-19-13.5-18WO	28.00	19.00	13.50	2.10	25.00	27.00	5.00	
DM30-17-15-28WO	30.00	17.00	15.40	6.35	26.50	28.50	5.00	
DM30-21-13.5-18WO	30.00	21.00	13.50	2.10	27.00	29.00	5.00	
DM30-22-13.5-20LO 19ID	30.00	22.00	13.50	3.20	26.00	29.40	5.00	
DM30-22-13.5-20WO	30.00	22.00	13.50	3.20	26.00	29.40	4.00	
DM32-22-10-20WO	32.00	22.00	10.00	5.00	28.50	31.00	5.00	
DM32-22-11-19WO	32.00	22.00	11.00	4.00	27.50	31.00	5.00	
DM32-22-12EO	32.00	22.00	12.00	-	-	31.00	5.00	
DM32-22-12-20WO	32.00	22.00	12.00	4.00	29.00	31.00	5.00	
DM32-22-15.5-21WO	32.00	22.00	15.50	2.60	28.00	31.00	5.00	
DM32-22-16EO	32.00	22.00	16.40	-	-	31.80	5.00	
DM32-22-16-29WO	32.00	22.00	16.40	6.35	28.50	30.50	5.00	
DM32-24-9.5EO	32.00	24.00	9.50	-	-	31.80	5.00	
DM32-24-10EO	32.00	24.00	10.00	-	-	31.00	5.00	
DM32-24-10-18LO	32.00	24.00	10.00	4.00	29.00	31.00	5.00	
DM32-24-10-18WO	32.00	24.00	10.00	4.00	29.00	31.00	5.00	
DM32-24-15.5-22LO	32.00	24.00	15.50	3.20	28.00	31.40	5.00	
DM32-24-15.5-22LO 21ID	32.00	24.00	15.50	3.20	28.00	31.40	5.00	
DM32-24-15.5-22WO	32.00	24.00	15.50	3.20	28.00	31.40	5.00	
DM35-25-15.5-21WO	35.00	25.00	15.50	2.60	31.00	34.00	5.00	
DM35-25-16EO	35.00	25.00	16.40	-	-	33.50	5.00	
DM35-25-16-29WO	35.00	25.00	16.40	6.35	31.40	33.50	5.00	
DM35-26-15.5-22WO	35.00	26.00	15.50	4.00	31.00	34.00	5.00	
DM35-27-15.5-22LO 24ID	35.00	27.00	15.50	3.20	31.00	34.40	5.00	
DM40-24-18EO	40.00	24.00	18.40	-	-	38.50	5.00	
DM40-24-18-31WO	40.00	24.00	18.40	6.35	35.40	38.50	5.00	

401 * Nominal Dimensions

Fluid Power

The Hydraulic Seal Specialists

DM-WO

Metric **D**ouble Acting **M**onobloc Piston Seal with **W**ear Rings **O**utside Working

Part Number	*ØD1	*Ød1	*L1	LW	Ødw	Ød2	C	min
DM40-26-15-20LO	40.00	26.00	15.50	2.60	36.00	39.00	5.00	
DM40-26-15-20WO	40.00	26.00	15.50	2.60	36.00	39.00	5.00	
DM40-30-10-20WO	40.00	30.00	10.20	5.00	36.50	39.00	5.00	
DM40-30-11-19LO	40.00	30.00	11.00	4.00	35.50	39.00	5.00	
DM40-30-11-19WO	40.00	30.00	11.00	4.00	35.50	39.00	5.00	
DM40-30-12.5EO	40.00	30.00	12.50	-	-	39.80	5.00	
DM40-30-12.5-20.5WO 36DW	40.00	30.00	12.50	4.00	36.00	38.00	5.00	
DM40-30-12.5-20.5WO 37DW	40.00	30.00	12.50	4.00	37.00	39.00	5.00	
DM40-30-16EO	40.00	30.00	16.40	-	-	39.80	5.00	
DM40-30-16-24WO	40.00	30.00	16.40	4.00	35.40	38.50	5.00	
DM40-30-16-29WO	40.00	30.00	16.40	6.35	35.40	38.50	5.00	
DM40-32-9.5EO	40.00	32.00	9.50	-	-	39.80	5.00	
DM40-32-10-18LO	40.00	32.00	10.00	4.00	37.00	39.00	5.00	
DM40-32-10-18WO	40.00	32.00	10.00	4.00	37.00	39.00	5.00	
DM40-32-15.5EO	40.00	32.00	15.50	-	-	39.40	5.00	
DM40-32-15.5-22WO	40.00	32.00	15.50	3.20	36.00	39.40	5.00	
DM40-32-15.5-22LO	40.00	32.00	15.50	3.20	36.00	39.40	5.00	
DM40-32-15.5-22LO 29ID	40.00	32.00	15.50	3.20	36.00	39.40	5.00	
DM42-28-15.5-21WO	42.00	28.00	15.50	2.60	38.00	41.00	5.00	
DM45-29-18EO	45.00	29.00	18.40	-	-	43.70	5.00	
DM45-29-18-31WO	45.00	29.00	18.40	6.35	40.40	43.70	5.00	
DM45-31-15.5-21WO	45.00	31.00	15.50	2.60	41.00	44.00	5.00	
DM45-35-11-19WO	45.00	35.00	11.00	4.00	40.45	43.50	5.00	
DM45-35-16EO	45.00	35.00	16.40	-	-	43.50	5.00	
DM45-35-16-29WO	45.00	35.00	16.40	6.35	40.40	43.50	5.00	
DM45-37-15.5-22LO 34ID	45.00	37.00	15.50	3.20	41.00	44.40	5.00	
DM45-37-15.5-22LO	45.00	37.00	15.50	3.20	41.00	44.40	5.00	
DM50-34-18EO	50.00	34.00	18.40	-	-	48.50	5.00	
DM50-34-18-31WO	50.00	34.00	18.40	6.35	45.40	48.50	5.00	
DM50-34-20EO	50.00	34.00	20.50	-	-	49.00	5.00	
DM50-34-20-26LO	50.00	34.00	20.50	3.10	46.00	49.00	5.00	
DM50-34-20-26WO	50.00	34.00	20.50	3.10	46.00	49.00	5.00	
DM50-35-15-30WO	50.00	35.00	15.00	7.50	46.00	49.00	5.00	
DM50-35-20EO	50.00	35.00	20.00	-	-	48.50	5.00	
DM50-35-20-30WO	50.00	35.00	20.00	5.00	46.00	48.50	5.00	
DM50-38-11.5EO	50.00	38.00	11.50	-	-	49.80	5.00	
DM50-38-14.5EO	50.00	38.00	14.50	-	-	49.80	5.00	
DM50-38-16.5EO	50.00	38.00	16.50	-	-	49.80	5.00	
DM50-38-20.5EO	50.00	38.00	20.50	-	-	49.40	5.00	
DM50-38-20.5-29LO	50.00	38.00	20.50	4.20	46.00	49.40	5.00	

* Nominal Dimensions

Fluid Power

The Hydraulic Seal Specialists



DM-WO

Metric **D**ouble Acting **M**onobloc Piston Seal with **W**ear Rings **O**utside Working

Part Number	*ØD1	*Ød1	*L1	LW	Ødw	Ød2	C	min
DM50-40-11EO	50.00	40.00	11.00	-	-	49.80		5.00
DM50-40-11-19LO	50.00	40.00	11.00	4.00	45.50	49.00		5.00
DM50-40-11-19WO	50.00	40.00	11.00	4.00	45.50	49.00		5.00
DM50-40-12.5EO	50.00	40.00	12.40	-	-	49.80		5.00
DM50-40-12.5-20.5WO	50.00	40.00	12.50	4.00	47.00	49.00		5.00
DM55-39-18EO	55.00	39.00	18.40	-	-	53.50		5.00
DM55-39-18-31WO	55.00	39.00	18.40	6.35	50.36	53.50		5.00
DM55-39-20.5-27LO	55.00	39.00	20.50	3.10	51.00	54.00		5.00
DM55-39-20.5-27WO	55.00	39.00	20.50	3.10	51.00	54.00		5.00
DM55-43-20.5-29LO	55.00	43.00	20.50	4.20	51.00	54.90		5.00
DM55-45-11-19LO	55.00	45.00	11.00	4.00	50.50	54.00		5.00
DM55-45-12.5EO	55.00	45.00	12.50	-	-	54.80		5.00
DM55-45-12.5-20.5WO	55.00	45.00	12.50	4.00	52.00	54.00		5.00
DM56-40-20.5-27WO	56.00	40.00	20.50	3.10	52.00	55.00		5.00
DM60-44-18EO	60.00	44.00	18.40	-	-	58.50		5.00
DM60-44-18-31WO	60.00	44.00	18.40	6.35	55.40	58.50		5.00
DM60-44-20.5-27LO	60.00	44.00	20.50	3.10	56.00	59.00		5.00
DM60-44-20.5-27WO	60.00	44.00	20.50	3.10	56.00	59.00		5.00
DM60-45-22.5EO	60.00	45.00	22.50	-	-	59.80		5.00
DM60-45-22.5-35WO	60.00	45.00	22.50	6.35	55.40	58.65		5.00
DM60-48-20.5EO	60.00	48.00	20.50	-	-	59.40		5.00
DM60-48-20.5-29LO	60.00	48.00	20.50	4.20	56.00	59.40		5.00
DM60-48-20.5-29WO	60.00	48.00	20.50	4.20	56.00	59.40		5.00
DM60-49-12EO	60.00	49.00	12.40	-	-	59.80		5.00
DM63-47-18EO	63.00	47.00	18.40	-	-	61.63		5.00
DM63-47-18-31WO	63.00	47.00	18.40	6.35	58.40	61.50		5.00
DM63-47-19EO	63.00	47.00	19.40	-	-	61.63		5.00
DM63-47-19-32WO	63.00	47.00	19.40	6.35	58.40	61.50		5.00
DM63-47-20.5EO	63.00	47.00	20.50	-	-	62.00		5.00
DM63-47-20.5-27LO	63.00	47.00	20.50	3.10	59.00	62.00		5.00
DM63-47-20.5-27WO	63.00	47.00	20.50	3.10	59.00	62.00		5.00
DM63-48-20EO	63.00	48.00	20.00	-	-	61.50		5.00
DM63-48-20-30WO	63.00	48.00	20.00	5.00	59.00	61.50		5.00
DM63-50-14.5EO	63.00	50.00	14.50	-	-	62.80		5.00
DM63-51-14.5EO	63.00	51.00	14.50	-	-	62.80		5.00
DM63-51-20.5EO	63.00	51.00	20.50	-	-	62.40		5.00
DM63-51-20.5-29LO	63.00	51.00	20.50	4.20	59.00	62.40		5.00
DM63-53-6.5EO	63.00	53.00	6.50	-	-	62.80		5.00
DM63-53-11-19WO	63.00	53.00	11.00	4.00	58.50	61.50		5.00
DM63-53-12.5-20.5WO	63.00	53.00	12.50	4.00	60.00	62.00		5.00

403 * Nominal Dimensions

Fluid Power

The Hydraulic Seal Specialists

DM-WO

Metric **D**ouble Acting **M**onobloc Piston Seal with **W**ear Rings **O**utside Working

Part Number	*ØD1	*Ød1	*L1	LW	Ødw	Ød2	C	min
DM65-49-20.5-27WO	65.00	49.00	20.50	3.10	61.00	64.00	5.00	
DM65-50-18EO	65.00	50.00	18.40	-	-	63.64	5.00	
DM65-50-18-31WO	65.00	50.00	18.40	6.35	60.40	63.50	5.00	
DM65-53-20.5-29LO	65.00	53.00	20.50	4.20	61.00	64.90	5.00	
DM70-50-22EO	70.00	50.00	22.40	-	-	68.30	5.00	
DM70-50-22-35WO	70.00	50.00	22.40	6.35	64.20	68.30	5.00	
DM70-50-22-42WO	70.00	50.00	22.40	10.00	64.00	68.00	5.00	
DM70-54-20.5-27LO	70.00	54.00	20.50	3.10	66.00	69.00	5.00	
DM70-54-20.5-27WO	70.00	54.00	20.50	3.10	66.00	69.00	5.00	
DM70-55-20-30WO	70.00	55.00	20.00	5.00	66.00	68.50	5.00	
DM70-55-22EO	70.00	55.00	22.50	-	-	69.80	5.00	
DM70-55-22-35WO	70.00	55.00	22.50	6.35	64.15	68.35	5.00	
DM70-58-20.5-29LO	70.00	58.00	20.50	4.20	66.00	69.40	5.00	
DM70-58-20.5-29WO	70.00	58.00	20.50	4.20	66.00	69.40	5.00	
DM75-55-16EO	75.00	55.00	16.00	-	-	74.20	5.00	
DM75-55-22EO	75.00	55.00	22.40	-	-	73.30	5.00	
DM75-55-22-35WO	75.00	55.00	22.40	6.35	69.20	73.30	5.00	
DM75-55-22-42WO	75.00	55.00	22.20	10.00	69.00	73.00	5.00	
DM75-59-20.5-27LO	75.00	59.00	20.50	3.10	71.00	74.00	5.00	
DM75-59-20.5-27WO	75.00	59.00	20.50	3.10	71.00	74.00	5.00	
DM75-63-18.5EO	75.00	63.00	18.50	-	-	74.20	5.00	
DM75-63-20.5-29LO	75.00	63.00	20.50	4.20	71.00	74.40	5.00	
DM78-68-15-28WO	78.00	68.00	15.00	6.35	74.04	75.80	5.00	
DM80-60-22EO	80.00	60.00	22.40	-	-	78.30	5.00	
DM80-60-22-35WO	80.00	60.00	22.40	6.35	74.15	78.30	5.00	
DM80-60-22-42WO	80.00	60.00	22.40	10.00	74.00	78.00	5.00	
DM80-60-25-38WO	80.00	60.00	25.00	6.35	75.00	78.00	5.00	
DM80-62-22.5EO	80.00	62.00	22.50	-	-	79.00	5.00	
DM80-62-22-30LO	80.00	62.00	22.50	3.60	76.00	79.00	5.00	
DM80-62-22-30WO	80.00	62.00	22.50	3.60	76.00	79.00	5.00	
DM80-65-20EO	80.00	65.00	20.00	-	-	78.50	5.00	
DM80-65-20-30WO	80.00	65.00	20.00	5.00	76.00	78.50	5.00	
DM80-65-22EO	80.00	65.00	22.50	-	-	79.80	5.00	
DM80-65-22-35WO	80.00	65.00	22.50	6.35	74.15	78.35	5.00	
DM80-66-16.5EO	80.00	66.00	16.50	-	-	79.20	5.00	
DM80-66-22.5EO	80.00	66.00	22.50	-	-	79.40	5.00	
DM80-66-22.5-33LO	80.00	66.00	22.50	5.20	76.00	79.40	5.00	
DM80-70-11-19WO	80.00	70.00	11.00	4.00	75.50	78.50	5.00	
DM85-65-22EO	85.00	65.00	22.40	-	-	84.80	5.00	
DM85-65-22-29WO	85.00	65.00	22.40	3.20	79.15	83.30	5.00	

* Nominal Dimensions

Fluid **Power**

The Hydraulic Seal Specialists

**DM-WO**Metric **D**ouble Acting **M**onobloc Piston Seal with **W**ear Rings **O**utside Working

Part Number	*ØD1	*Ød1	*L1	LW	Ødw	Ød2	C	min
DM85-65-22-35WO	85.00	65.00	22.40	6.35	79.15	83.30	5.00	
DM85-71-22.5-33LO	85.00	71.00	22.50	5.20	81.00	84.40	5.00	
DM90-70-22EO	90.00	70.00	22.40	-	-	88.30	5.00	
DM90-70-22-35WO	90.00	70.00	22.40	6.35	84.15	88.30	5.00	
DM90-70-22-42WO	90.00	70.00	22.20	10.00	84.00	88.00	5.00	
DM90-70-29.6-42WO	90.00	70.00	29.62	6.35	84.15	88.35	5.00	
DM90-70-30EO	90.00	70.00	30.00	-	-	89.80	5.00	
DM90-72-22-30LO	90.00	72.00	22.50	3.60	86.00	89.00	5.00	
DM90-72-22-30WO	90.00	72.00	22.50	3.60	86.00	89.00	5.00	
DM90-75-13.5EO	90.00	75.00	13.50	-	-	89.20	5.00	
DM90-75-20EO	90.00	75.00	20.00	-	-	89.80	5.00	
DM90-75-20-30WO	90.00	75.00	20.00	5.00	86.00	88.50	5.00	
DM90-76-16.5EO	90.00	76.00	16.50	-	-	89.20	5.00	
DM90-76-22.5-33LO	90.00	76.00	22.50	5.20	86.00	89.40	5.00	
DM92-82-12.5-25WO	92.00	82.00	12.90	6.35	88.04	90.80	5.00	
DM95-75-22-35WO	95.00	75.00	22.40	6.35	89.15	93.30	5.00	
DM95-75-22EO	95.00	75.00	22.40	-	-	93.30	5.00	
DM100-75-22EO	100.00	75.00	22.30	-	-	99.20	7.00	
DM100-75-22-35WO	100.00	75.00	22.40	6.35	93.15	98.00	7.00	
DM100-80-22-42WO	100.00	80.00	22.20	10.00	94.00	98.00	7.00	
DM100-80-25EO	100.00	80.00	25.40	-	-	98.30	7.00	
DM100-80-25-38WO 94.15DW	100.00	80.00	25.40	6.35	94.15	98.30	7.00	
DM100-80-25-38WO 95.00DW	100.00	80.00	25.40	6.35	95.00	98.00	7.00	
DM100-80-30EO	100.00	80.00	30.00	-	-	99.80	7.00	
DM100-80-30-43WO	100.00	80.00	30.00	6.35	94.15	98.35	7.00	
DM100-82-22-30LO	100.00	82.00	22.50	3.60	96.00	99.00	7.00	
DM100-82-22-30WO	100.00	82.00	22.50	3.60	96.00	99.00	7.00	
DM100-82-22.5EO	100.00	82.00	22.50	-	-	99.00	7.00	
DM100-85-20-30WO	100.00	85.00	20.00	5.00	96.00	98.50	7.00	
DM100-86-16.5EO	100.00	86.00	16.50	-	-	99.40	7.00	
DM100-86-22.5-33LO	100.00	86.00	22.50	5.20	96.00	99.40	7.00	
DM100-87-14-26LO	100.00	87.00	14.00	6.00	93.80	98.50	7.00	
DM100-87-14-26WO	100.00	87.00	14.00	6.00	93.80	98.50	7.00	
DM105-80-22EO	105.00	80.00	22.40	-	-	103.00	7.00	
DM105-80-22-35WO	105.00	80.00	22.40	6.35	98.10	103.00	7.00	
DM105-91-16.5EO	105.00	91.00	16.50	-	-	104.20	7.00	
DM105-92.5-14.3-27WO	105.00	92.50	14.30	5.35	98.80	103.40	7.00	
DM110-85-16EO	110.00	85.00	16.30	-	-	109.20	7.00	
DM110-85-22EO	110.00	85.00	22.40	-	-	109.80	7.00	
DM110-85-22-35WO	110.00	85.00	22.40	6.35	103.10	108.00	7.00	

405 * Nominal Dimensions

Fluid Power

The Hydraulic Seal Specialists

DM-WO

Metric **D**ouble Acting **M**onobloc Piston Seal with **W**ear Rings **O**utside Working

Part Number	*ØD1	*Ød1	*L1	LW	Ødw	Ød2	C	min
DM110-85-25-38WO	110.00	85.00	25.40	6.35	103.10	108.00	7.00	
DM110-90-25-38WO	110.00	90.00	25.30	6.35	104.10	108.30	7.00	
DM110-90-30EO	110.00	90.00	30.00	-	-	108.00	7.00	
DM110-90-30-42WO	110.00	90.00	30.00	6.35	103.10	109.80	7.00	
DM110-92-22-30LO	110.00	92.00	22.50	3.60	106.00	109.00	7.00	
DM110-92-22-30WO	110.00	92.00	22.50	3.60	106.00	109.00	7.00	
DM110-95-15.5EO	110.00	95.00	15.50	-	-	109.20	7.00	
DM110-95-18EO	110.00	95.00	18.00	-	-	109.20	7.00	
DM110-95-20-30WO	110.00	95.00	20.00	5.00	105.00	108.00	7.00	
DM110-96-22.5-33LO	110.00	96.00	22.50	5.20	106.00	109.40	7.00	
DM115-90-15.7EO	115.00	90.00	15.70	-	-	114.20	7.00	
DM115-90-16EO	115.00	90.00	16.30	-	-	114.20	7.00	
DM115-90-22EO	115.00	90.00	22.40	-	-	114.80	7.00	
DM115-90-22-35WO	115.00	90.00	22.40	6.35	108.10	113.00	7.00	
DM115-90-22-48WO	115.00	90.00	22.00	12.70	107.90	113.00	7.00	
DM115-97-22.5-30LO	115.00	97.00	22.50	3.60	111.00	114.00	7.00	
DM115-97-22.5-30WO	115.00	97.00	22.50	3.60	111.00	114.00	7.00	
DM120-95-22EO	120.00	95.00	22.40	-	-	118.10	7.00	
DM120-95-22-35WO	120.00	95.00	22.40	6.35	113.10	118.10	7.00	
DM120-100-24.5EO	120.00	100.00	24.50	-	-	119.20	7.00	
DM120-100-30EO	120.00	100.00	30.40	-	-	119.80	7.00	
DM120-100-30-42WO	120.00	100.00	30.00	6.35	113.10	118.00	7.00	
DM120-105-15EO	120.00	105.00	15.50	-	-	119.80	7.00	
DM120-106-22.5-33LO	120.00	106.00	22.50	5.20	116.00	119.40	7.00	
DM125-100-25EO	125.00	100.00	25.40	-	-	123.00	7.00	
DM125-100-25-38WO	125.00	100.00	25.40	6.35	118.10	123.00	7.00	
DM125-100-25-50WO	125.00	100.00	25.40	12.70	118.00	123.00	7.00	
DM125-100-32-52WO	125.00	100.00	32.10	10.00	119.00	123.00	7.00	
DM125-103-26.5-37LO	125.00	103.00	26.50	5.10	121.00	124.00	7.00	
DM125-103-26.5-37WO	125.00	103.00	26.50	5.10	121.00	124.00	7.00	
DM125-105-25EO	125.00	105.00	25.40	-	-	123.00	7.00	
DM125-105-25-38WO 119.1DW	125.00	105.00	25.40	6.35	119.10	123.30	7.00	
DM125-105-25-38WO 120DW	125.00	105.00	24.90	6.35	120.00	123.00	7.00	
DM125-108-20.5EO	125.00	108.00	20.50	-	-	124.20	7.00	
DM125-108-24.5EO	125.00	108.00	24.50	-	-	124.20	7.00	
DM125-108-26.5-38.5WO	125.00	108.00	26.50	5.70	121.00	124.00	7.00	
DM125-108-26.5-41LO	125.00	108.00	26.50	7.20	121.00	124.40	7.00	
DM125-110-15EO	125.00	110.00	15.70	-	-	124.80	7.00	
DM125-112-14-26LO	125.00	112.00	14.00	6.00	118.80	123.50	7.00	
DM125-112-14-26WO	125.00	112.00	14.00	6.00	118.80	123.50	7.00	

* Nominal Dimensions

Fluid Power

The Hydraulic Seal Specialists



DM-WO

Metric **D**ouble Acting **M**onobloc Piston Seal with **W**ear Rings **O**utside Working

Part Number	*ØD1	*Ød1	*L1	LW	Ødw	Ød2	C	min
DM130-105-25EO	130.00	105.00	25.40	-	-	127.50	7.00	
DM130-105-25-38WO	130.00	105.00	25.40	6.35	123.10	128.00	7.00	
DM130-105-25-44WO	130.00	105.00	25.40	9.50	122.60	127.50	7.00	
DM130-110-30EO	130.00	110.00	30.40	-	-	129.80	7.00	
DM130-113-20EO	130.00	113.00	20.50	-	-	129.80	7.00	
DM130-113-26.5-41LO	130.00	113.00	26.50	7.20	126.00	129.40	7.00	
DM133-115-22-41WO	133.00	115.00	22.40	9.52	125.60	130.50	7.00	
DM135-110-25EO	135.00	110.00	25.40	-	-	134.80	7.00	
DM135-110-25-38WO	135.00	110.00	25.40	6.35	128.10	133.00	7.00	
DM135-110-25-44WO	135.00	110.00	25.40	9.50	127.60	132.50	7.00	
DM135-110-25-50WO	135.00	110.00	25.15	12.70	128.00	133.00	7.00	
DM135-118-20.5EO	135.00	118.00	20.50	-	-	134.20	7.00	
DM140-115-25EO	140.00	115.00	25.40	-	-	138.00	7.00	
DM140-115-25-38WO	140.00	115.00	25.40	6.35	133.00	138.00	7.00	
DM140-115-25-44WO	140.00	115.00	25.40	9.50	132.60	137.50	7.00	
DM140-115-25-50WO	140.00	115.00	25.40	12.70	133.00	138.00	7.00	
DM140-115-32EO	140.00	115.00	32.00	-	-	138.00	7.00	
DM140-115-32-52WO	140.00	115.00	32.00	10.00	134.00	138.00	7.00	
DM140-118-26.5-37LO	140.00	118.00	26.50	5.10	136.00	139.00	7.00	
DM140-118-26.5-37WO	140.00	118.00	26.50	5.10	136.00	139.00	7.00	
DM140-120-25-38LO	140.00	120.00	25.00	6.30	135.00	138.00	7.00	
DM140-120-25-38WO	140.00	120.00	25.00	6.35	135.00	138.00	7.00	
DM140-123-26.5-41LO	140.00	123.00	26.50	7.20	136.00	139.40	7.00	
DM140-124-17.5-35WO	140.00	124.00	17.50	8.75	132.00	138.50	7.00	
DM140-125-16EO	140.00	125.00	15.90	-	-	139.20	7.00	
DM140-125-18EO	140.00	125.00	18.00	-	-	139.20	7.00	
DM145-120-25EO	145.00	120.00	25.40	-	-	144.80	7.00	
DM145-120-25-38WO	145.00	120.00	25.40	6.35	138.30	142.95	7.00	
DM145-120-25-44WO	145.00	120.00	25.40	9.50	137.60	142.50	7.00	
DM145-130-25-38WO	145.00	130.00	25.40	6.35	138.30	142.95	7.00	
DM150-125-25EO	150.00	125.00	25.40	-	-	148.00	7.00	
DM150-125-25-38WO	150.00	125.00	25.40	6.35	143.00	148.00	7.00	
DM150-125-25-44WO	150.00	125.00	25.40	9.50	142.60	147.50	7.00	
DM150-125-25-50WO	150.00	125.00	25.40	12.70	143.00	148.00	7.00	
DM150-128-26.5-37.5LO	150.00	128.00	26.50	5.10	146.00	149.00	7.00	
DM150-128-26.5-37.5WO	150.00	128.00	26.50	5.10	146.00	149.00	7.00	
DM150-133-26.5-41LO	150.00	133.00	26.50	7.20	146.00	149.40	7.00	
DM150-135-15.5EO	150.00	135.00	15.50	-	-	149.20	7.00	
DM155-130-24.4EO	155.00	130.00	24.80	-	-	154.80	7.00	
DM155-130-25-38WO	155.00	130.00	25.40	6.35	148.00	153.00	7.00	

407 * Nominal Dimensions

Fluid Power

The Hydraulic Seal Specialists

DM-WO

Metric **D**ouble Acting **M**onobloc Piston Seal with **W**ear Rings **O**utside Working

Part Number	*ØD1	*Ød1	*L1	LW	Ødw	Ød2	C	min
DM155-130-25-44WO	155.00	130.00	25.40	9.50	147.60	152.50	7.00	
DM160-130-25EO	160.00	130.00	25.40	-	-	157.50	7.00	
DM160-130-25-38WO	160.00	130.00	25.40	6.35	153.00	157.50	7.00	
DM160-130-25-44WO	160.00	130.00	25.40	9.50	152.60	157.50	7.00	
DM160-135-25EO	160.00	135.00	25.40	-	-	157.50	7.00	
DM160-135-25-44WO	160.00	135.00	25.40	9.50	152.60	157.50	7.00	
DM160-135-25-50WO	160.00	135.00	25.40	12.70	153.00	158.00	7.00	
DM160-135-32-52WO	160.00	135.00	32.00	10.00	154.00	158.00	7.00	
DM160-135-32EO	160.00	135.00	32.00	-	-	158.00	7.00	
DM160-138-26.5-37LO	160.00	138.00	26.50	5.10	156.00	159.00	7.00	
DM160-138-26.5-37WO	160.00	138.00	26.50	5.10	156.00	159.00	7.00	
DM160-140-25EO	160.00	140.00	25.40	-	-	158.00	7.00	
DM160-140-25-38WO 153.3DW	160.00	140.00	25.40	6.35	153.30	158.00	7.00	
DM160-140-25-38WO 155DW	160.00	140.00	25.40	9.50	155.00	158.00	7.00	
DM160-140-25-50WO	160.00	140.00	25.00	12.50	151.40	158.50	7.00	
DM160-143-20EO	160.00	143.00	20.00	-	-	159.20	7.00	
DM160-143-26.5-38WO	160.00	143.00	26.50	5.80	156.10	159.40	7.00	
DM160-143-26.5-41LO	160.00	143.00	26.50	7.20	156.00	159.40	7.00	
DM160-145-15.5EO	160.00	145.00	15.50	-	-	159.20	7.00	
DM165-140-25EO	165.00	140.00	25.40	-	-	163.00	7.00	
DM165-140-25-38WO	165.00	140.00	25.40	6.35	159.66	163.00	7.00	
DM165-140-25-44WO	165.00	140.00	25.40	9.50	157.60	162.50	7.00	
DM165-140-25-50WO	165.00	140.00	25.40	12.70	158.00	163.00	7.00	
DM165-143-26.5-38WO	165.00	143.00	26.50	5.10	161.00	163.30	7.00	
DM165-145-25EO	165.00	145.00	25.40	-	-	163.30	7.00	
DM165-145-25-38WO	165.00	145.00	25.40	6.35	159.15	163.30	7.00	
DM165-150-15.5EO	165.00	150.00	15.50	-	-	164.20	7.00	
DM170-140-25EO	170.00	140.00	25.40	-	-	167.90	7.00	
DM170-140-25-38WO	170.00	140.00	25.40	6.35	162.95	167.90	7.00	
DM170-145-25EO	170.00	145.00	25.40	-	-	167.60	7.00	
DM170-145-25-38WO	170.00	145.00	25.40	6.35	162.98	167.60	7.00	
DM170-145-25-51WO	170.00	145.00	25.40	12.70	161.70	167.10	7.00	
DM170-148-26.5-37WO	170.00	148.00	26.50	5.10	166.00	169.00	7.00	
DM175-150-25EO	175.00	150.00	25.40	-	-	172.10	7.00	
DM175-150-25-51WO	175.00	150.00	25.40	12.70	166.70	172.10	7.00	
DM180-150-35-48WO	180.00	150.00	35.40	6.35	172.95	177.87	7.00	
DM180-150-35-60WO	180.00	150.00	35.40	12.70	171.72	177.10	7.00	
DM180-150-36EO	180.00	150.00	35.40	-	-	177.87	7.00	
DM180-155-25EO	180.00	155.00	25.40	-	-	177.10	7.00	
DM180-155-25-50WO	180.00	155.00	25.40	12.70	171.70	177.10	7.00	

* Nominal Dimensions

Fluid Power

The Hydraulic Seal Specialists



DM-WO

Metric **D**ouble Acting **M**onobloc Piston Seal with **W**ear Rings **O**utside Working

Part Number	*ØD1	*Ød1	*L1	LW	Ødw	Ød2	C	min
DM180-158-26.5-37WO	180.00	158.00	26.50	5.10	176.00	179.00	7.00	
DM180-160-25-50WO	180.00	160.00	25.00	12.50	171.40	178.50	7.00	
DM180-160-35-60WO	180.00	160.00	35.40	12.70	171.72	177.10	7.00	
DM180-163-26.5-41LO	180.00	163.00	26.50	7.20	176.00	179.40	7.00	
DM185-160-25-50WO	185.00	160.00	25.40	12.70	176.70	182.10	7.00	
DM185-165-15.5EO	185.00	165.00	15.50	-	-	184.20	7.00	
DM190-165-25-50WO	190.00	165.00	25.40	12.70	181.70	187.00	7.00	
DM190-170-30EO	190.00	170.00	30.00	-	-	188.00	7.00	
DM190-170-30-43WO	190.00	170.00	30.00	6.35	183.00	188.00	7.00	
DM195-170-25-51WO	195.00	170.00	25.40	12.70	186.72	192.05	7.00	
DM200-170-30-60WO	200.00	170.00	30.00	15.00	192.00	197.00	10.00	
DM200-170-35-48WO	200.00	170.00	35.40	6.35	192.90	197.33	10.00	
DM200-170-36EO	200.00	170.00	36.00	-	-	198.00	10.00	
DM200-170-36-61WO	200.00	170.00	36.00	12.50	192.00	197.00	10.00	
DM200-175-25EO	200.00	175.00	25.40	-	-	197.00	10.00	
DM200-175-25-51WO	200.00	175.00	25.40	12.70	191.60	197.00	10.00	
DM200-175-31-45WO	200.00	175.00	31.50	6.60	196.00	199.00	10.00	
DM200-180-15.5EO	200.00	180.00	15.50	-	-	199.20	10.00	
DM200-180-25-50WO	200.00	180.00	25.00	12.50	191.40	198.50	10.00	
DM200-180-31.5-50LO	200.00	180.00	31.50	9.20	196.00	199.40	10.00	
DM210-185-25-51WO	210.00	185.00	25.40	12.70	201.62	207.00	10.00	
DM210-190-15.5EO	210.00	190.00	15.50	-	-	209.20	10.00	
DM210-190-25EO	210.00	190.00	24.90	-	-	209.20	10.00	
DM220-190-30-60WO	220.00	190.00	30.00	15.00	212.00	217.00	10.00	
DM220-190-35-48WO	220.00	190.00	35.40	6.35	212.70	217.90	10.00	
DM220-195-25EO	220.00	195.00	25.40	-	-	217.00	10.00	
DM220-195-25-50WO	220.00	195.00	25.40	12.70	211.60	217.00	10.00	
DM220-200-20EO	220.00	200.00	20.00	-	-	219.20	10.00	
DM220-200-31.5-50LO	220.00	200.00	31.50	9.20	216.00	219.40	10.00	
DM225-200-31-44WO	225.00	200.00	31.50	6.50	221.00	224.00	10.00	
DM225-205-24.5EO	225.00	205.00	24.50	-	-	224.20	10.00	
DM230-205-25-51WO	230.00	205.00	25.40	12.70	221.60	227.00	10.00	
DM240-215-25-50WO	240.00	215.00	25.40	12.70	231.60	237.00	10.00	
DM250-220-30-60WO	250.00	220.00	30.00	15.00	242.00	247.00	10.00	
DM250-220-35EO	250.00	220.00	35.40	-	-	247.85	10.00	
DM250-220-35-48WO	250.00	220.00	35.40	6.35	242.90	247.85	10.00	
DM250-220-36-61WO	250.00	220.00	36.10	12.50	242.00	247.00	10.00	
DM250-225-25-51WO	250.00	225.00	25.40	12.70	241.60	247.00	10.00	
DM250-225-31.5-45LO	250.00	225.00	31.50	6.60	246.00	249.00	10.00	
DM250-230-25.5EO	250.00	230.00	25.50	-	-	249.20	10.00	

409 * Nominal Dimensions

Fluid Power

The Hydraulic Seal Specialists

DM-WO

Metric **D**ouble Acting **M**onobloc Piston Seal with **W**ear Rings **O**utside Working



Part Number	*ØD1	*Ød1	*L1	LW	Ødw	Ød2	min
							C
DM250-230-31.5-50LO	250.00	230.00	31.50	9.20	246.00	249.40	10.00
DM260-235-25EO	260.00	235.00	25.40	-	-	258.00	10.00
DM260-235-25-50WO	260.00	235.00	25.40	12.70	252.90	258.00	10.00
DM270-250-25.5EO	270.00	250.00	25.50	-	-	269.20	10.00
DM280-250-30-60WO	280.00	250.00	30.00	15.00	272.00	277.00	10.00
DM280-250-36-56WO	280.00	250.00	36.30	10.00	273.00	278.00	10.00
DM280-255-25EO	280.00	255.00	24.80	-	-	279.20	10.00
DM300-275-31.5-45LO	300.00	275.00	31.50	6.60	296.00	299.00	10.00
DM320-290-36-61WO	320.00	290.00	36.00	12.50	312.00	317.00	10.00
DM320-300-25.5EO	320.00	300.00	25.50	-	-	319.20	10.00
DM360-340-25.5EO	360.00	340.00	25.50	-	-	359.20	10.00
DM400-380-25.5EO	400.00	380.00	25.50	-	-	399.20	10.00
DM450-426-25.5EO	450.00	426.00	25.50	-	-	449.20	10.00

* Nominal Dimensions

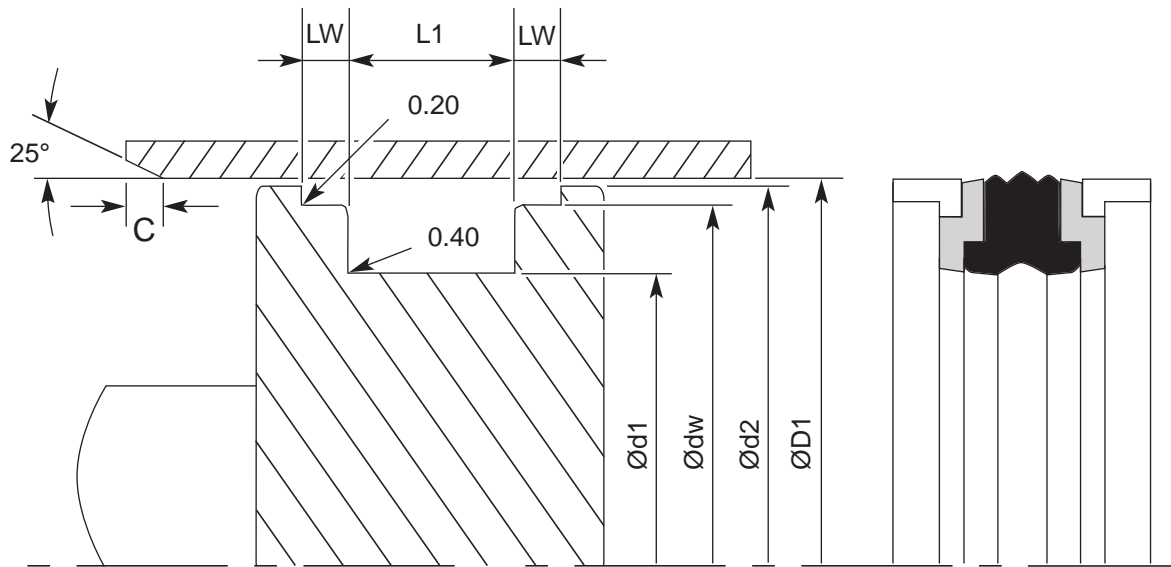
Fluid Power

The Hydraulic Seal Specialists



DM-WO

Imperial **D**ouble Acting **M**onobloc Piston Seal with **W**ear Rings **O**utside Working



Tolerances

ØD1	Ød1	Ødw	Ød2	L1	LW
H10	h9	h9	h11	+0.008 -0.00	+0.004 -0.00

Operating Conditions

Max Speed	Temp Range
m/s	-30° to 100°C
0.50	300 Bar
0.15	400 Bar

These operating conditions are only a guide. Please check with the FPE sales team to ensure that the seal you are ordering is suitable for the application.

DM-WO is primarily designed for use with one piece pistons, however, it may also be fitted to pistons of a split design. The DM-WO may be made up of three, four or five components. The seal design may vary and it is recommended that you check with the FPE sales team to ensure that you get the correct design. See page 412 & 413 for further designs and details.

Fluid Power

The Hydraulic Seal Specialists

DM-WO

Imperial **D**ouble Acting **M**onobloc Piston Seal with **W**ear Rings **O**utside Working



DM-WO Type A

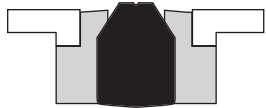


Type A is a standard five part seal consisting of a precision moulded Nitrile sealing element, two Polyester support rings and two Polyacetal wear rings or anti-extrusion rings.

The Nitrile element has multiple sealing lips which both reduces friction and provides excellent sealing properties.

DM-EO

DM-WO Type B



Type B is a standard five part seal consisting of a precision moulded Nitrile sealing element, two Polyester support rings and two split Polyacetal wear rings or anti-extrusion rings.

DM-EO

DM-LO Type D



DM-LO Type D is a standard five part seal consisting of a precision moulded Nitrile sealing element with either two endless PTFE anti-extrusion rings or two split Polyester support rings and two full depth L-shaped Polyacetal wear rings.

DM-WO Type F



DM-WO Type F is a light duty three part seal designed for a solid piston. Consisting of a precision moulded Nitrile sealing element with two split Polyacetal wear rings.

* Nominal Dimensions

Fluid Power

The Hydraulic Seal Specialists



DM-WO

Imperial **D**ouble Acting **M**onobloc Piston Seal with **W**ear Rings **O**utside Working



DM-EO Type K

DM-EO Type K is a three part seal designed for a solid piston. Consisting of a precision moulded Nitrile sealing element with two split Polyester back up rings.

Fluid Power

Fluid Power

The Hydraulic Seal Specialists

DM-WO

Imperial **D**ouble Acting **M**onobloc Piston Seal with **W**ear Rings **O**utside Working

Part Number	*ØD1	*Ød1	*L1	LW	Ødw	Ød2	C	min
DM100068-034-059WO	1.000	0.687	0.343	0.125	0.829	0.937	0.200	
DM106075-031-044WO	1.062	0.750	0.312	0.062	0.900	1.000	0.200	
DM112075-045EO	1.125	0.750	0.452	-	-	1.123	0.200	
DM125094-034-059WO	1.250	0.937	0.343	0.125	1.079	1.187	0.200	
DM150100-062-112WO	1.500	1.000	0.625	0.250	1.360	1.458	0.200	
DM150112-043-074LO	1.500	1.125	0.437	0.150	1.324	1.437	0.200	
DM150112-043-074WO	1.500	1.125	0.437	0.150	1.324	1.437	0.200	
DM150112-045EO	1.500	1.125	0.452	-	-	1.498	0.200	
DM175112-075-125WO	1.750	1.125	0.750	0.250	1.570	1.698	0.200	
DM175112-075EO	1.750	1.125	0.750	-	-	1.698	0.200	
DM175137-043-074LO	1.750	1.375	0.437	0.150	1.574	1.687	0.200	
DM175137-043-074WO	1.750	1.375	0.437	0.150	1.574	1.687	0.200	
DM175137-049-098LO	1.750	1.375	0.490	0.245	1.638	1.710	0.200	
DM187125-075-125WO	1.875	1.250	0.750	0.250	1.695	1.823	0.200	
DM200137-075EO	2.000	1.375	0.750	-	-	1.948	0.200	
DM200137-075-125WO	2.000	1.375	0.750	0.250	1.820	1.948	0.200	
DM200150-058EO	2.000	1.500	0.587	-	-	1.998	0.200	
DM200162-043-074LO	2.000	1.625	0.437	0.150	1.824	1.937	0.200	
DM200162-043-074WO	2.000	1.625	0.437	0.150	1.824	1.937	0.200	
DM200162-049-098LO	2.000	1.625	0.490	0.245	1.888	1.960	0.200	
DM212150-075-125WO	2.125	1.500	0.750	0.250	1.944	2.074	0.200	
DM225162-075EO	2.250	1.625	0.750	-	-	2.197	0.200	
DM225162-075-125WO	2.250	1.625	0.750	0.250	2.069	2.197	0.200	
DM225187-043-074WO	2.250	1.875	0.437	0.150	2.075	2.187	0.200	
DM237175-075EO	2.375	1.750	0.750	-	-	2.322	0.200	
DM237175-075-125WO	2.375	1.750	0.750	0.250	2.194	2.322	0.200	
DM237200-043-074LO	2.375	2.000	0.437	0.150	2.195	2.312	0.200	
DM250187-075-125WO	2.500	1.875	0.750	0.250	2.319	2.446	0.200	
DM250200-058EO	2.500	2.000	0.587	-	-	2.498	0.200	
DM250200-062-112WO	2.500	2.000	0.625	0.250	2.308	2.437	0.200	
DM250200-065-116LO	2.500	2.000	0.650	0.245	2.320	2.460	0.200	
DM250200-066-116WO	2.500	2.000	0.660	0.250	2.320	2.460	0.200	
DM250212-043-074LO	2.500	2.125	0.437	0.150	2.325	2.437	0.200	
DM250212-043-074WO	2.500	2.125	0.437	0.150	2.325	2.437	0.200	
DM262200-075-125WO	2.625	2.000	0.750	0.250	2.443	2.571	0.200	
DM275200-093-143WO	2.750	2.000	0.937	0.250	2.522	2.685	0.200	
DM275225-065-115LO	2.750	2.250	0.650	0.250	2.570	2.710	0.200	
DM275225-065-115WO	2.750	2.250	0.650	0.250	2.570	2.710	0.200	
DM275237-043-074LO	2.750	2.375	0.437	0.150	2.572	2.687	0.200	
DM275237-043-074WO	2.750	2.375	0.437	0.150	2.572	2.687	0.200	

* Nominal Dimensions

Fluid **Power**

The Hydraulic Seal Specialists



DM-WO

Imperial **D**ouble Acting **M**onobloc Piston Seal with **W**ear Rings **O**utside Working

Part Number	*ØD1	*Ød1	*L1	LW	Ødw	Ød2	C	min
DM287250-043-074WO	2.875	2.500	0.437	0.150	2.700	2.812	0.200	
DM300225-093-143LO	3.000	2.250	0.937	0.250	2.772	2.935	0.200	
DM300225-093-143WO	3.000	2.250	0.937	0.250	2.772	2.935	0.200	
DM300237-077EO	3.000	2.237	0.775	-	-	2.960	0.200	
DM300237-077-126LO	3.000	2.237	0.775	0.245	2.772	2.960	0.200	
DM300237-077-126WO	3.000	2.237	0.775	0.245	2.772	2.960	0.200	
DM300250-058EO	3.000	2.500	0.587	-	-	2.998	0.200	
DM300262-043-074LO	3.000	2.625	0.437	0.150	2.825	2.937	0.200	
DM325250-093-143WO	3.250	2.500	0.937	0.250	3.021	3.184	0.200	
DM325262-077-126WO	3.250	2.625	0.775	0.245	3.021	3.184	0.200	
DM325287-043-074WO	3.250	2.875	0.437	0.150	3.075	3.187	0.200	
DM350275-093-143WO	3.500	2.750	0.937	0.250	3.271	3.434	0.200	
DM350285-077-136LO	3.500	2.850	0.775	0.295	3.272	3.460	0.200	
DM350285-077-136WO	3.500	2.850	0.775	0.295	3.272	3.460	0.200	
DM350300-056-098LO	3.500	3.000	0.562	0.210	3.270	3.437	0.200	
DM350300-056-098WO	3.500	3.000	0.562	0.210	3.270	3.437	0.200	
DM350300-058EO	3.500	3.000	0.587	-	-	3.498	0.200	
DM375300-093-143LO	3.750	3.000	0.937	0.250	3.520	3.683	0.200	
DM375300-093-143WO	3.750	3.000	0.937	0.250	3.520	3.683	0.200	
DM375325-056-098LO	3.750	3.250	0.562	0.210	3.520	3.687	0.200	
DM375325-056-098WO	3.750	3.250	0.562	0.210	3.520	3.687	0.200	
DM400325-093-143LO	4.000	3.250	0.937	0.250	3.770	3.933	0.281	
DM400325-093-143WO	4.000	3.250	0.937	0.250	3.770	3.933	0.281	
DM400325-078EO	4.000	3.250	0.780	-	-	3.998	0.281	
DM400337-077-126WO	4.000	3.375	0.772	0.245	3.772	3.960	0.281	
DM400350-056-098LO	4.000	3.500	0.562	0.210	3.770	3.937	0.281	
DM400350-056-098WO	4.000	3.500	0.562	0.210	3.770	3.937	0.281	
DM425350-093-143WO	4.250	3.500	0.937	0.250	4.024	4.187	0.281	
DM425375-056-098WO	4.250	3.750	0.562	0.210	4.020	4.187	0.281	
DM450350-125-175LO	4.500	3.500	1.250	0.250	4.230	4.420	0.281	
DM450350-125-175WO	4.500	3.500	1.250	0.250	4.230	4.420	0.281	
DM450375-078EO	4.500	3.750	0.780	-	-	4.498	0.281	
DM450400-056-098WO	4.500	4.000	0.562	0.210	4.270	4.437	0.281	
DM475375-125-200WO	4.750	3.750	1.250	0.375	4.463	4.660	0.281	
DM475425-056-098WO	4.750	4.250	0.562	0.210	4.520	4.687	0.281	
DM500400-093-143WO	5.000	4.000	0.937	0.250	4.730	4.920	0.281	
DM500400-125EO	5.000	4.000	1.250	-	-	4.921	0.281	
DM500400-125-200WO	5.000	4.000	1.250	0.375	4.709	4.902	0.281	
DM500425-078EO	5.000	4.250	0.780	-	-	4.980	0.281	
DM500425-096-145WO	5.000	4.250	0.963	0.245	4.772	4.960	0.281	

415 * Nominal Dimensions

Fluid Power

The Hydraulic Seal Specialists

DM-WO

Imperial **D**ouble Acting **M**onobloc Piston Seal with **W**ear Rings **O**utside Working

Part Number	*ØD1	*Ød1	*L1	LW	Ødw	Ød2	min
							C
DM500437-068-137WO	5.000	4.375	0.687	0.344	4.689	4.937	0.281
DM525425-125-175WO	5.250	4.250	1.250	0.250	4.977	5.167	0.281
DM525462-068-137WO	5.250	4.625	0.687	0.344	4.938	5.187	0.281
DM550450-125-200WO	5.500	4.500	1.250	0.375	5.213	5.410	0.281
DM550487-068-137WO	5.500	4.875	0.687	0.344	5.188	5.437	0.281
DM600500-125EO	6.000	5.000	1.250	-	-	5.902	0.281
DM600500-125-200LO	6.000	5.000	1.250	0.375	5.709	5.902	0.281
DM600500-125-200WO	6.000	5.000	1.250	0.375	5.709	5.902	0.281
DM600525-100-200WO	6.000	5.250	1.000	0.500	5.712	5.937	0.281
DM650550-125-200WO	6.500	5.500	1.250	0.375	6.150	6.402	0.281
DM650575-100-200WO	6.500	5.750	1.000	0.500	6.212	6.437	0.281
DM700600-125-175WO	7.000	6.000	1.250	0.250	6.724	6.917	0.281
DM700625-100-200WO	7.000	6.250	1.000	0.500	6.712	6.937	0.281
DM800675-150-212WO	8.000	6.750	1.500	0.315	7.681	7.920	0.375
DM800700-125EO	8.000	7.000	1.250	-	-	7.902	0.375
DM800700-125-200WO	8.000	7.000	1.250	0.375	7.723	7.920	0.375
DM800700-125-225WO	8.000	7.000	1.250	0.500	7.675	7.902	0.375
DM800725-100-200WO	8.000	7.250	1.000	0.500	7.712	7.937	0.375
DM900825-100-200WO	9.000	8.250	1.000	0.500	8.712	8.937	0.375

* Nominal Dimensions

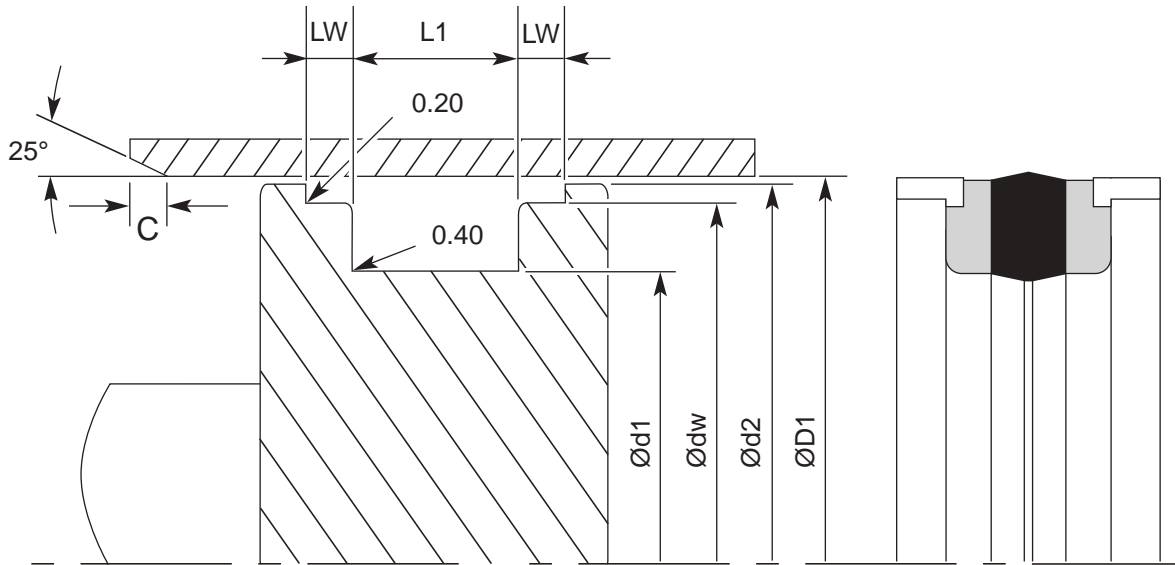
Fluid Power

The Hydraulic Seal Specialists



DA

Metric **D**ouble **A**cting Piston Seal



Tolerances

ØD1	Ød1	Ødw	Ød2	L1	LW
H11	js11	±0.05	±0.07	+0.20 -0.00	+0.10 -0.00

Operating Conditions

Max Speed	Temp Range
m/s	-30° to 100°C
0.50	250 Bar
0.15	400 Bar

DA-WO is designed for use with split pistons. Consisting of a precision moulded fabric reinforced Nitrile sealing element and two Polyacetal wear rings on the outside diameter.

The fabric reinforces the Nitrile element and absorbs hydraulic fluid to help reduce friction.

The wear rings help prevent extrusion, permit higher working pressures and allow larger clearances between the piston and cylinder. They also support the piston under side load conditions therefore preventing metal to metal contact.

There are five other styles in the DA range and these are detailed on page 418.

Fluid Power

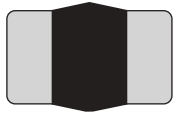
The Hydraulic Seal Specialists

DA

Metric **D**ouble **A**cting Piston Seal



DA-P

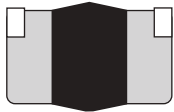


DA-WO is a **Double Acting Plain** seal consisting of a precision moulded fabric reinforced nitrile sealing element.

As with all this range it is designed for use on a split piston.

The fabric helps prevent extrusion whilst retaining some of the sealing media to reduce friction.

DA-EO



DA-EO is a **Double Acting** seal with anti-**Extrusion** rings on the **Outside** diameter.

Designed for use on a split piston, the fabric helps prevent extrusion whilst retaining some of the sealing media to reduce friction.

The anti-extrusion rings help prevent extrusion, permit higher working pressures and allow larger clearances between the piston and cylinder.

DA-LW



DA-LW is a **Double Acting** plain seal with **L-shaped Wear** rings consisting of a precision moulded fabric reinforced nitrile sealing element.

As with all this range it is designed for use on a split piston.

The fabric helps prevent extrusion whilst retaining some of the sealing media to reduce friction.

The wear rings help prevent extrusion, permit higher working pressures and allow larger clearances between the piston and cylinder. They also support the piston under side load conditions therefore preventing metal to metal contact.

DA-WO/EO



DA-WO is a heavy duty five part seal primarily designed for a split piston.

Consisting of a precision moulded Nitrile sealing element with two endless Polyester or fabric reinforced Nitrile support rings and two endless Polyacetal wear rings or anti-extrusion rings. This seal has a pressure rating of 700 bar.

Seal sets with split support rings and wear rings are available on request.



Fluid Power

The Hydraulic Seal Specialists



DA

Metric Double Acting Piston Seal

Part Number	*ØD1	*Ød1	*L1	LW	Ødw	Ød2	C	min
DA14-6-10P-F	14.00	6.00	10.00	-	-	13.80	5.00	
DA16-8-10P-F	16.00	8.00	10.00	-	-	15.80	5.00	
DA18-10-10P-F	18.00	10.00	10.00	-	-	17.80	5.00	
DA20-12-10P-F	20.00	12.00	10.00	-	-	19.80	5.00	
DA24-14-12.5P-F	24.00	14.00	12.50	-	-	23.80	5.00	
DA25-12-12EO-F	25.00	12.00	12.40	-	-	24.80	5.00	
DA25-12-12P-F	25.00	12.00	12.40	-	-	24.80	5.00	
DA25-12-12-25WO-F	25.00	12.00	12.40	6.40	21.50	23.70	5.00	
DA25-12-16P-F	25.00	12.00	16.00	-	-	24.80	5.00	
DA25-12-19-31LW-F	25.00	12.00	19.00	6.00	21.85	24.00	5.00	
DA25-15-12.5P-F	25.00	15.00	12.50	-	-	24.80	5.00	
DA25-15-15.5-25.5LW-F	25.00	15.00	15.50	5.00	21.85	24.00	5.00	
DA26-16-12.5P-F	26.00	16.00	12.50	-	-	25.80	5.00	
DA28-18-12.5P-F	28.00	18.00	12.50	-	-	27.80	5.00	
DA30-17-15EO-F	30.00	17.00	15.40	-	-	29.80	5.00	
DA30-17-15-28WO-F	30.00	17.00	15.40	6.40	26.45	28.95	5.00	
DA30-20-12.5P-F	30.00	20.00	12.50	-	-	29.80	5.00	
DA30-22-10P-F	30.00	22.00	10.00	-	-	29.80	5.00	
DA30-24-6.5P-F	30.00	24.00	6.50	-	-	29.80	5.00	
DA32-17-18P-F	32.00	17.00	18.00	-	-	31.80	5.00	
DA32-17-19P-F	32.00	17.00	19.00	-	-	31.80	5.00	
DA32-19-15EO-F	32.00	19.00	15.40	-	-	31.80	5.00	
DA32-19-15-28WO-F	32.00	19.00	15.40	6.40	28.40	30.90	5.00	
DA32-22-12.5P-F	32.00	22.00	12.50	-	-	31.80	5.00	
DA32-22-15.5-25.5LW-F	32.00	22.00	15.50	6.40	28.85	31.00	5.00	
DA34-19-19P-F	34.00	19.00	19.00	-	-	33.80	5.00	
DA35-22-15EO-F	35.00	22.00	15.40	-	-	34.80	5.00	
DA35-22-15-28WO-F	35.00	22.00	15.40	6.40	31.40	33.70	5.00	
DA35-25-7.5P-F	35.00	25.00	7.90	-	-	34.80	5.00	
DA37-22-19P-F	37.00	22.00	19.00	-	-	36.80	5.00	
DA38-23-19P-F	38.00	23.00	19.00	-	-	37.80	5.00	
DA40-24-18EO-F	40.00	24.00	18.40	-	-	39.80	5.00	
DA40-24-18-31WO-F	40.00	24.00	18.40	6.40	35.40	38.65	5.00	
DA40-24-20-33LW-F	40.00	24.00	20.00	6.40	35.27	39.00	5.00	
DA40-25-18P-F	40.00	25.00	18.40	-	-	39.80	5.00	
DA40-25-19P-F	40.00	25.00	19.00	-	-	39.80	5.00	
DA40-25-24-36LW-F	40.00	25.00	24.00	6.00	34.80	39.00	5.00	
DA40-32-12P-F	40.00	32.00	12.00	-	-	39.80	5.00	
DA42-27-19P-F	42.00	27.00	19.00	-	-	41.80	5.00	
DA43-28-19P-F	43.00	28.00	19.00	-	-	42.80	5.00	

419 * Nominal Dimensions

Fluid Power

The Hydraulic Seal Specialists

DA

Metric **D**ouble **A**cting Piston Seal

Part Number	*ØD1	*Ød1	*L1	LW	Ødw	Ød2	C	min
DA45-26-25P-F	45.00	26.00	25.00	-	-	44.80	5.00	
DA45-26-31-44LW-F	45.00	26.00	31.00	6.50	38.85	44.00	5.00	
DA45-29-14P-F	45.00	29.00	14.00	-	-	44.80	5.00	
DA45-29-18EO-F	45.00	29.00	18.40	-	-	44.80	5.00	
DA45-29-18-31WO-F	45.00	29.00	18.40	6.40	40.40	43.70	5.00	
DA45-30-19P-F	45.00	30.00	19.00	-	-	44.80	5.00	
DA47-32-19P-F	47.00	32.00	19.00	-	-	46.80	5.00	
DA48-32-18-31WO-F	48.00	32.00	18.40	6.40	43.40	46.70	5.00	
DA50-30-25P-F	50.00	30.00	25.00	-	-	49.80	5.00	
DA50-30-25-38WO-F	50.00	30.00	25.40	6.40	44.30	48.30	5.00	
DA50-30-31-45LW-F	50.00	30.00	31.40	7.00	43.85	48.50	5.00	
DA50-34-13.5P-F	50.00	34.00	13.50	-	-	49.80	5.00	
DA50-34-18EO-F	50.00	34.00	18.40	-	-	49.80	5.00	
DA50-34-18-31LW-F	50.00	34.00	18.40	6.40	45.54	48.50	5.00	
DA50-34-18-31WO-F	50.00	34.00	18.40	6.40	45.40	48.65	5.00	
DA50-34-20-32LW-F	50.00	34.00	20.00	6.40	45.27	49.00	5.00	
DA50-34-32-45WO	50.00	34.00	32.00	6.35	43.70	47.80	5.00	
DA50-35-19EO-F	50.00	35.00	19.00	-	-	49.80	5.00	
DA50-35-19P-F	50.00	35.00	19.00	-	-	49.80	5.00	
DA50-35-20P-F	50.00	35.00	20.00	-	-	49.80	5.00	
DA50-35-24-36LW-F	50.00	35.00	24.00	6.00	44.80	48.50	5.00	
DA50-35-24-37WO-F	50.00	35.00	24.40	6.40	45.40	48.70	5.00	
DA50-35-24EO-F	50.00	35.00	24.40	-	-	49.80	5.00	
DA51-36-19P-F	51.00	36.00	19.00	-	-	50.80	5.00	
DA53-38-19P-F	53.00	38.00	19.00	-	-	52.80	5.00	
DA55-39-18EO-F	55.00	39.00	18.40	-	-	54.80	5.00	
DA55-39-18-31WO-F	55.00	39.00	18.40	6.40	50.40	53.70	5.00	
DA55-40-19P-F	55.00	40.00	19.00	-	-	54.80	5.00	
DA55-40-24-36LW-F	55.00	40.00	24.00	6.00	49.80	53.50	5.00	
DA55-40-32-45WO	55.00	40.00	32.00	6.35	48.77	52.85	5.00	
DA56-41-19P-F	56.00	41.00	19.00	-	-	54.80	5.00	
DA57-42-19P-F	57.00	42.00	19.00	-	-	56.80	5.00	
DA57-45-7.5P-F	57.00	45.00	7.50	-	-	56.80	5.00	
DA60-40-25P-F	60.00	40.00	25.00	-	-	59.80	5.00	
DA60-40-31P-F	60.00	40.00	31.40	-	-	59.80	5.00	
DA60-40-31-45LW-F	60.00	40.00	31.00	7.00	53.80	58.50	5.00	
DA60-44-18-31WO-F	60.00	44.00	18.40	6.40	55.40	58.65	5.00	
DA60-44-20-33WO-F	60.00	44.00	20.00	6.40	55.27	59.00	5.00	
DA60-44-32-45WO	60.00	44.00	32.00	6.35	53.80	57.80	5.00	
DA60-45-18P-F	60.00	45.00	18.40	-	-	59.80	5.00	

* Nominal Dimensions

Fluid Power

The Hydraulic Seal Specialists



DA

Metric **D**ouble **A**cting Piston Seal

Part Number	*ØD1	*Ød1	*L1	LW	Ødw	Ød2	C	min
DA60-45-19P-F	60.00	45.00	19.40	-	-	59.80	5.00	
DA60-48-14P-F	60.00	48.00	14.40	-	-	59.80	5.00	
DA63-43-25P-F	63.00	43.00	25.40	-	-	62.80	5.00	
DA63-43-31-45LW-F	63.00	43.00	31.00	7.00	56.80	61.50	5.00	
DA63-47-14P-F	63.00	47.00	14.00	-	-	62.80	5.00	
DA63-47-18EO-F	63.00	47.00	18.40	-	-	62.80	5.00	
DA63-47-18-32WO-F	63.00	47.00	18.40	6.40	58.40	61.65	5.00	
DA63-47-19-32WO-F	63.00	47.00	19.40	6.40	58.40	61.65	5.00	
DA63-47-20-33LW-F	63.00	47.00	20.00	6.40	58.27	62.00	5.00	
DA63-48-19P-F	63.00	48.00	19.00	-	-	62.80	5.00	
DA63-48-24-36LW-F	63.00	48.00	24.00	6.00	57.80	61.50	5.00	
DA65-50-13.5P-F	65.00	50.00	13.50	-	-	64.80	5.00	
DA65-50-18EO-F	65.00	50.00	18.40	-	-	64.80	5.00	
DA65-50-18P-F	65.00	50.00	18.40	-	-	64.80	5.00	
DA65-50-19P-F	65.00	50.00	19.00	-	-	64.80	5.00	
DA65-50-18-31LW-F	65.00	50.00	18.00	6.45	60.54	63.50	5.00	
DA65-50-18-31WO-F	65.00	50.00	18.40	6.40	60.40	63.65	5.00	
DA65-50-24-36LW-F	65.00	50.00	24.00	6.00	59.85	63.50	5.00	
DA70-50-17P-F	70.00	50.00	17.00	-	-	69.80	5.00	
DA70-50-18P-F	70.00	50.00	18.40	-	-	69.80	5.00	
DA70-50-18-31WO-F	70.00	50.00	18.40	6.40	64.20	68.30	5.00	
DA70-50-22P-F	70.00	50.00	22.40	-	-	69.80	5.00	
DA70-50-22-35WO-F	70.00	50.00	22.40	6.40	64.15	68.35	5.00	
DA70-50-25EO-F	70.00	50.00	25.40	-	-	69.80	5.00	
DA70-50-25P-F	70.00	50.00	25.40	-	-	69.80	5.00	
DA70-50-25-38LW-F	70.00	50.00	25.40	6.40	64.26	69.00	5.00	
DA70-50-25-38WO-F	70.00	50.00	25.40	6.40	64.15	68.35	5.00	
DA70-50-31-44WO-F	70.00	50.00	31.40	6.40	64.20	68.30	5.00	
DA70-50-31-45LW-F	70.00	50.00	31.00	7.00	63.85	68.00	5.00	
DA70-50-35-54WO	70.00	50.00	35.00	9.52	62.62	67.54	5.00	
DA72-56-20P-F	72.00	56.00	20.00	-	-	69.80	5.00	
DA72-62-12.5P-F	72.00	62.00	12.50	-	-	71.80	5.00	
DA73-53-25P-F	73.00	53.00	25.00	-	-	72.80	5.00	
DA75-55-22EO-F	75.00	55.00	22.40	-	-	74.80	5.00	
DA75-55-25P-F	75.00	55.00	25.40	-	-	74.80	5.00	
DA75-55-22-35WO-F	75.00	55.00	22.40	6.40	69.20	73.30	5.00	
DA75-55-25-38WO-F	75.00	55.00	25.40	6.40	69.20	73.30	5.00	
DA75-55-31-45LW-F	75.00	55.00	31.00	7.00	68.85	73.00	5.00	
DA75-56-24P-F	75.00	56.00	24.40	-	-	74.80	5.00	
DA75-56-24EO-F	75.00	56.00	24.40	-	-	74.80	5.00	

421 * Nominal Dimensions

Fluid Power

The Hydraulic Seal Specialists

DA

Metric **D**ouble **A**cting Piston Seal

Part Number	*ØD1	*Ød1	*L1	LW	Ødw	Ød2	C	min
DA75-56-24-37WO-F	75.00	56.00	24.40	6.40	69.20	73.30	5.00	
DA76-56-25P-F	76.00	56.00	25.00	-	-	75.80	5.00	
DA80-60-17EO-F	80.00	60.00	17.40	-	-	79.80	5.00	
DA80-60-17P-F	80.00	60.00	17.40	-	-	79.80	5.00	
DA80-60-17-30WO-F	80.00	60.00	17.40	6.40	74.20	78.30	5.00	
DA80-60-22EO-F	80.00	60.00	22.40	-	-	78.40	5.00	
DA80-60-22-35WO-F	80.00	60.00	22.40	6.40	74.20	78.40	5.00	
DA80-60-25EO-F	80.00	60.00	25.40	-	-	78.40	5.00	
DA80-60-25P-F	80.00	60.00	25.40	-	-	78.40	5.00	
DA80-60-25-38WO-F	80.00	60.00	25.40	6.40	74.20	78.40	5.00	
DA80-60-31EO-F	80.00	60.00	31.40	-	-	78.40	5.00	
DA80-60-31-44WO-F	80.00	60.00	31.40	6.40	74.20	78.40	5.00	
DA80-60-31-45LW-F	80.00	60.00	31.00	7.00	73.85	78.00	5.00	
DA80-60-35-54WO	80.00	60.00	35.00	9.52	72.62	77.52	5.00	
DA80-64-32-51WO	80.00	64.00	32.00	9.52	72.62	77.52	5.00	
DA83-63-22EO-F	83.00	63.00	22.40	-	-	82.80	5.00	
DA83-63-22P-F	83.00	63.00	22.40	-	-	82.80	5.00	
DA83-63-22-35WO-F	83.00	63.00	22.40	6.40	77.20	81.30	5.00	
DA83-63-25P-F	83.00	63.00	25.00	-	-	82.80	5.00	
DA85-65-17P-F	85.00	65.00	17.00	-	-	84.80	5.00	
DA85-65-22EO-F	85.00	65.00	22.40	-	-	84.80	5.00	
DA85-65-22-35LW-F	85.00	65.00	22.00	6.45	79.16	83.00	5.00	
DA85-65-22-35WO-F	85.00	65.00	22.40	6.40	79.20	83.40	5.00	
DA85-65-25P-F	85.00	65.00	25.00	-	-	84.80	5.00	
DA85-65-31-45LW-F	85.00	65.00	31.00	7.00	79.20	83.40	5.00	
DA85-65-35-54WO	85.00	65.00	35.00	9.52	77.62	82.54	5.00	
DA85-70-7.5P-F	85.00	70.00	7.90	-	-	84.80	5.00	
DA90-70-18P-F	90.00	70.00	18.00	-	-	89.80	5.00	
DA90-70-22P-F	90.00	70.00	22.40	-	-	89.80	5.00	
DA90-70-22-35WO-F	90.00	70.00	22.40	6.40	84.20	88.30	5.00	
DA90-70-25EO-F	90.00	70.00	25.40	-	-	89.80	5.00	
DA90-70-25P-F	90.00	70.00	25.00	-	-	89.80	5.00	
DA90-70-25-38LW-F	90.00	70.00	25.00	6.40	84.20	89.00	5.00	
DA90-70-25-38WO-F	90.00	70.00	25.40	6.40	84.20	88.30	5.00	
DA90-70-31EO-F	90.00	70.00	31.40	-	-	89.80	5.00	
DA90-70-31-44LW-F	90.00	70.00	31.00	7.30	84.00	88.00	5.00	
DA90-70-31-44WO-F	90.00	70.00	31.40	7.30	84.20	88.30	5.00	
DA90-70-35-54WO	90.00	70.00	35.00	9.52	82.58	87.79	5.00	
DA95-75-17P-F	95.00	75.00	17.00	-	-	93.30	5.00	
DA95-75-22-35WO-F	95.00	75.00	22.40	6.40	89.20	93.30	5.00	

* Nominal Dimensions

Fluid **Power**

The Hydraulic Seal Specialists

**DA**Metric **D**ouble **A**cting Piston Seal

Part Number	*ØD1	*Ød1	*L1	LW	Ødw	Ød2	C	min
DA95-75-25P-F	95.00	75.00	25.00	-	-	93.30	5.00	
DA95-75-31-45LW-F	95.00	75.00	31.00	7.00	88.85	93.00	5.00	
DA100-75-16P-F	100.00	75.00	16.00	-	-	99.80	7.00	
DA100-75-18P-F	100.00	75.00	18.40	-	-	99.80	7.00	
DA100-75-20P-F	100.00	75.00	20.00	-	-	99.80	7.00	
DA100-75-22-35LW-F	100.00	75.00	22.00	6.40	93.24	98.00	7.00	
DA100-75-22-35WO-F	100.00	75.00	22.40	6.40	93.10	98.10	7.00	
DA100-75-25EO-F	100.00	75.00	25.40	-	-	99.80	7.00	
DA100-75-25-38WO-F	100.00	75.00	25.40	6.40	93.20	98.10	7.00	
DA100-75-26-45LW-F	100.00	75.00	26.00	9.50	93.85	98.00	7.00	
DA100-80-22EO-F	100.00	80.00	22.40	-	-	99.80	7.00	
DA100-80-22P-F	100.00	80.00	22.00	-	-	99.80	7.00	
DA100-80-22-35WO-F	100.00	80.00	22.40	6.40	94.20	98.30	7.00	
DA100-80-25P-F	100.00	80.00	25.40	-	-	99.80	7.00	
DA100-80-25-38WO-F	100.00	80.00	25.40	6.40	94.20	98.30	7.00	
DA100-80-31-45LW-F	100.00	80.00	31.00	7.00	93.85	98.00	7.00	
DA100-80-35-54WO	100.00	80.00	35.00	9.52	92.60	97.50	7.00	
DA100-85-10P-F	100.00	85.00	10.40	-	-	99.80	7.00	
DA101-80-25P-F	101.00	80.00	25.00	-	-	100.80	7.00	
DA101-80-31-45LW-F	101.00	80.00	31.00	7.00	93.85	99.00	7.00	
DA105-80-22-35WO-F	105.00	80.00	22.40	6.40	98.10	103.10	7.00	
DA105-80-32P-F	105.00	80.00	32.00	-	-	104.80	7.00	
DA105-80-38-55LW-F	105.00	80.00	38.00	9.50	98.85	103.00	7.00	
DA105-85-15-29LW-F	105.00	85.00	15.00	7.00	98.85	103.00	7.00	
DA105-85-22-35WO-F	105.00	85.00	22.40	6.40	98.10	103.00	7.00	
DA105-85-25P-F	105.00	85.00	25.00	-	-	104.80	7.00	
DA105-92.5-14-27WO-F	105.00	92.50	14.30	6.40	98.10	103.00	7.00	
DA106-86-20P-F	106.00	86.00	20.00	-	-	105.80	7.00	
DA110-85-16P-F	110.00	85.00	16.00	-	-	109.80	7.00	
DA110-85-19P-F	110.00	85.00	19.00	-	-	109.80	7.00	
DA110-85-22-35LW-F	110.00	85.00	22.00	6.45	103.50	108.00	7.00	
DA110-85-22-35WO-F	110.00	85.00	22.40	6.40	103.10	108.00	7.00	
DA110-85-25EO-F	110.00	85.00	25.40	-	-	109.80	7.00	
DA110-85-25P-F	110.00	85.00	25.00	-	-	109.80	7.00	
DA110-85-25-38WO-F	110.00	85.00	25.00	6.40	103.10	108.00	7.00	
DA110-85-32P-F	110.00	85.00	32.00	-	-	109.80	7.00	
DA110-85-45-70WO	110.00	85.00	45.00	12.70	101.78	107.31	7.00	
DA110-90-25EO-F	110.00	90.00	25.40	-	-	109.80	7.00	
DA110-90-25P-F	110.00	90.00	25.40	-	-	109.80	7.00	
DA110-90-25-38WO-F	110.00	90.00	25.40	6.40	104.10	108.30	7.00	

423 * Nominal Dimensions

Fluid Power

The Hydraulic Seal Specialists

DA

Metric **D**ouble **A**cting Piston Seal

Part Number	*ØD1	*Ød1	*L1	LW	Ødw	Ød2	C	min
DA110-90-31-45LW-F	110.00	90.00	31.00	7.00	103.85	108.00	7.00	
DA110-90-35-54WO	110.00	90.00	35.00	9.52	102.70	107.51	7.00	
DA115-90-17P-F	115.00	90.00	17.00	-	-	114.80	7.00	
DA115-90-22P-F	115.00	90.00	22.40	-	-	114.80	7.00	
DA115-90-22-35WO-F	115.00	90.00	22.40	6.40	108.10	113.00	7.00	
DA115-90-25EO-F	115.00	90.00	25.40	-	-	114.80	7.00	
DA115-90-25-38WO-F	115.00	90.00	25.40	6.40	108.10	113.00	7.00	
DA115-90-32P-F	115.00	90.00	32.00	-	-	114.80	7.00	
DA115-90-45-70WO	115.00	90.00	45.00	12.70	106.82	112.33	7.00	
DA115-95-25P-F	115.00	95.00	25.00	-	-	114.80	7.00	
DA115-95-31-45LW-F	115.00	95.00	31.00	7.00	108.85	113.00	7.00	
DA120-95-17P-F	120.00	95.00	17.00	-	-	119.80	7.00	
DA120-95-22EO-F	120.00	95.00	22.40	-	-	119.80	7.00	
DA120-95-22-35WO-F	120.00	95.00	22.40	6.40	113.10	118.00	7.00	
DA120-95-31-44LW-F	120.00	95.00	31.00	6.40	113.14	119.00	7.00	
DA120-95-32P-F	120.00	95.00	32.00	-	-	119.80	7.00	
DA120-95-45-70WO	120.00	95.00	45.00	12.70	111.82	117.33	7.00	
DA120-100-25EO-F	120.00	100.00	25.40	-	-	119.80	7.00	
DA120-100-25P-F	120.00	100.00	25.40	-	-	119.80	7.00	
DA120-100-25-38WO-F	120.00	100.00	25.40	6.40	114.10	118.30	7.00	
DA120-100-31-45LW-F	120.00	100.00	31.00	7.00	113.85	118.00	7.00	
DA120-100-35-54WO	120.00	100.00	35.00	9.52	112.80	117.51	7.00	
DA125-100-19P-F	125.00	100.00	19.00	-	-	124.80	7.00	
DA125-100-25P-F	125.00	100.00	25.40	-	-	124.80	7.00	
DA125-100-25EO-F	125.00	100.00	25.00	-	-	124.80	7.00	
DA125-100-25-38LW-F	125.00	100.00	25.00	6.45	118.50	123.00	7.00	
DA125-100-25-38WO-F	125.00	100.00	25.40	6.45	118.10	123.00	7.00	
DA125-100-30P-F	125.00	100.00	30.40	-	-	124.80	7.00	
DA125-100-31-44LW-F	125.00	100.00	31.00	6.45	118.14	124.00	7.00	
DA125-100-32-45WO-F	125.00	100.00	32.40	6.45	117.90	123.00	7.00	
DA125-100-32EO-F	125.00	100.00	32.40	-	-	124.80	7.00	
DA125-100-32P-F	125.00	100.00	32.40	-	-	124.80	7.00	
DA125-100-38P-F	125.00	100.00	38.40	-	-	124.80	7.00	
DA125-100-38-51WO-F	125.00	100.00	38.40	6.45	117.80	122.80	7.00	
DA125-100-38-57LW-F	125.00	100.00	38.40	9.50	118.85	123.00	7.00	
DA125-100-45-70WO	125.00	100.00	45.00	12.70	116.82	122.33	7.00	
DA125-105-20P-F	125.00	105.00	20.00	-	-	124.80	7.00	
DA125-105-25EO-F	125.00	105.00	25.40	-	-	124.80	7.00	
DA125-105-25-38WO-F	125.00	105.00	25.40	6.45	119.10	123.30	7.00	
DA130-104-32P-F	130.00	104.00	32.00	-	-	129.80	7.00	

* Nominal Dimensions

Fluid Power

The Hydraulic Seal Specialists



DA

Metric **D**ouble **A**cting Piston Seal

Part Number	*ØD1	*Ød1	*L1	LW	Ødw	Ød2	C	min
DA130-104-32-45WO-F	130.00	104.00	32.40	6.40	123.10	128.00	7.00	
DA130-104-38-55LW-F	130.00	104.00	38.00	9.50	123.85	128.00	7.00	
DA130-105-19P-F	130.00	105.00	19.00	-	-	129.80	7.00	
DA130-105-25-38LW-F	130.00	105.00	25.00	6.40	123.50	128.00	7.00	
DA130-105-25-38WO-F	130.00	105.00	25.40	6.40	123.10	128.00	7.00	
DA130-105-32P-F	130.00	105.00	32.00	-	-	129.80	7.00	
DA130-105-45-70WO	130.00	105.00	45.00	12.70	121.82	127.33	7.00	
DA130-110-35-55WO	130.00	110.00	35.00	9.52	122.70	127.30	7.00	
DA135-110-25-38WO-F	135.00	110.00	25.40	6.40	128.10	133.00	7.00	
DA135-110-32P-F	135.00	110.00	32.00	-	-	134.80	7.00	
DA135-110-38-57LW-F	135.00	110.00	38.00	9.50	128.35	133.00	7.00	
DA135-110-45-70WO	135.00	110.00	45.00	12.70	126.82	132.33	7.00	
DA138-110-25EO-F	138.00	110.00	25.40	-	-	137.80	7.00	
DA140-115-19P-F	140.00	115.00	19.00	-	-	139.80	7.00	
DA140-115-25EO-F	140.00	115.00	25.40	-	-	139.80	7.00	
DA140-115-25-38LW-F	140.00	115.00	25.00	6.40	133.50	138.00	7.00	
DA140-115-25-38WO-F	140.00	115.00	25.40	6.40	133.00	138.00	7.00	
DA140-115-31-44LW-F	140.00	115.00	31.00	6.40	133.14	139.00	7.00	
DA140-115-32P-F	140.00	115.00	32.00	-	-	139.80	7.00	
DA140-115-45-70WO	140.00	115.00	45.00	12.70	131.72	137.30	7.00	
DA140-120-25P-F	140.00	120.00	25.00	-	-	139.80	7.00	
DA140-120-31-45LW-F	140.00	120.00	31.00	7.00	133.80	138.00	7.00	
DA140-120-35-54WO	140.00	120.00	35.00	9.52	132.70	137.30	7.00	
DA145-120-19P-F	145.00	120.00	19.00	-	-	144.80	7.00	
DA145-120-25EO-F	145.00	120.00	25.40	-	-	144.80	7.00	
DA145-120-25-38WO-F	145.00	120.00	25.40	6.40	138.30	143.00	7.00	
DA145-120-32P-F	145.00	120.00	32.00	-	-	144.80	7.00	
DA145-125-25P-F	145.00	125.00	25.00	-	-	144.80	7.00	
DA145-125-31-45LW-F	145.00	125.00	31.00	7.00	138.85	143.00	7.00	
DA150-120-38EO-F	150.00	120.00	38.00	-	-	149.80	7.00	
DA150-120-38P-F	150.00	120.00	38.00	-	-	149.80	7.00	
DA150-120-38-51WO-F	150.00	120.00	38.00	6.40	143.00	148.00	7.00	
DA150-120-44-61LW-F	150.00	120.00	44.00	9.50	143.85	148.00	7.00	
DA150-125-19P-F	150.00	125.00	19.00	-	-	149.80	7.00	
DA150-125-25EO-F	150.00	125.00	25.40	-	-	149.80	7.00	
DA150-125-25-38LW-F	150.00	125.00	25.00	6.45	143.50	148.00	7.00	
DA150-125-25-38WO-F	150.00	125.00	25.40	6.40	143.50	148.00	7.00	
DA150-125-31-44LW-F	150.00	125.00	31.00	6.40	143.14	149.00	7.00	
DA150-125-32P-F	150.00	125.00	32.00	-	-	149.80	7.00	
DA150-125-45-70WO	150.00	125.00	45.00	12.70	141.72	147.30	7.00	

425 * Nominal Dimensions

Fluid Power

The Hydraulic Seal Specialists

DA

Metric **D**ouble **A**cting Piston Seal

Part Number	*ØD1	*Ød1	*L1	LW	Ødw	Ød2	C	min
DA155-130-25EO-F	155.00	130.00	25.40	-	-	154.80	7.00	
DA155-130-25-38WO-F	155.00	130.00	25.40	6.40	148.00	153.00	7.00	
DA155-130-32P-F	155.00	130.00	32.00	-	-	154.80	7.00	
DA160-130-19P-F	160.00	130.00	19.00	-	-	159.80	7.00	
DA160-130-25EO-F	160.00	130.00	25.40	-	-	159.80	7.00	
DA160-130-25P-F	160.00	130.00	25.40	-	-	159.80	7.00	
DA160-130-25-38LW-F	160.00	130.00	25.00	6.45	153.50	158.00	7.00	
DA160-130-25-38WO-F	160.00	130.00	25.40	6.40	153.00	158.00	7.00	
DA160-130-26EO-F	160.00	130.00	26.40	-	-	159.80	7.00	
DA160-135-31-44LW-F	160.00	135.00	31.00	8.00	153.14	159.00	7.00	
DA160-135-32EO-F	160.00	135.00	32.90	-	-	158.00	7.00	
DA160-135-32P-F	160.00	135.00	32.90	-	-	158.00	7.00	
DA160-135-32-45WO-F	160.00	135.00	32.90	6.40	153.00	158.00	7.00	
DA160-135-38-57LW-F	160.00	135.00	38.00	9.50	153.85	158.00	7.00	
DA160-135-45-70WO	160.00	135.00	45.00	12.70	151.72	157.10	7.00	
DA160-140-25EO-F	160.00	140.00	25.40	-	-	159.80	7.00	
DA160-140-25P-F	160.00	140.00	25.40	-	-	159.80	7.00	
DA160-140-31-45LW-F	160.00	140.00	31.00	7.00	153.85	158.00	7.00	
DA165-140-32EO-F	165.00	140.00	32.00	-	-	164.80	7.00	
DA165-140-32P-F	165.00	140.00	32.00	-	-	164.80	7.00	
DA170-140-19P-F	170.00	140.00	19.00	-	-	169.80	7.00	
DA170-140-25EO-F	170.00	140.00	25.40	-	-	169.80	7.00	
DA170-140-25-38LW-F	170.00	140.00	25.00	6.45	162.54	168.00	7.00	
DA170-140-25-38WO-F	170.00	140.00	25.00	6.45	163.00	168.00	7.00	
DA170-140-38P-F	170.00	140.00	38.00	-	-	169.80	7.00	
DA170-140-45-70WO	170.00	140.00	45.00	12.70	163.00	167.87	7.00	
DA170-145-38P-F	170.00	145.00	38.00	-	-	169.80	7.00	
DA170-150-25P-F	170.00	150.00	25.00	-	-	169.80	7.00	
DA170-150-31-45LW-F	170.00	150.00	31.00	7.00	163.85	168.00	7.00	
DA175-145-35-48WO-F	175.00	145.00	35.40	6.35	167.95	172.87	7.00	
DA175-150-32P-F	175.00	150.00	32.00	-	-	174.80	7.00	
DA180-150-29P-F	180.00	150.00	29.00	-	-	179.80	7.00	
DA180-150-35EO-F	180.00	150.00	35.40	-	-	179.80	7.00	
DA180-150-35-48LW-F	180.00	150.00	35.00	6.45	173.00	178.00	7.00	
DA180-150-35-48WO-F	180.00	150.00	35.00	6.45	172.95	177.87	7.00	
DA180-150-38EO-F	180.00	150.00	38.00	-	-	179.80	7.00	
DA180-150-38-51WO-F	180.00	150.00	38.40	6.40	173.00	178.00	7.00	
DA180-155-45-70WO	180.00	155.00	45.00	12.70	171.60	177.10	7.00	
DA180-160-25P-F	180.00	160.00	25.00	-	-	179.80	7.00	
DA180-160-31EO-F	180.00	160.00	31.40	-	-	179.80	7.00	

* Nominal Dimensions

Fluid Power

The Hydraulic Seal Specialists



DA

Metric **D**ouble **A**cting Piston Seal

Part Number	*ØD1	*Ød1	*L1	LW	Ødw	Ød2	C	min
DA180-160-31-44WO-F	180.00	160.00	31.40	6.40	172.95	177.87	7.00	
DA180-160-31-45LW-F	180.00	160.00	31.00	7.00	173.85	178.00	7.00	
DA185-160-45-70WO	185.00	160.00	45.00	12.70	176.72	182.10	7.00	
DA190-160-35-48WO-F	190.00	160.00	35.40	6.40	182.93	187.87	7.00	
DA190-160-38EO-F	190.00	160.00	38.00	-	-	189.80	7.00	
DA190-160-38P-F	190.00	160.00	38.00	-	-	189.80	7.00	
DA190-160-44-63LW-F	190.00	160.00	44.00	9.50	183.85	188.00	7.00	
DA190-165-45-70WO	190.00	165.00	45.00	12.70	181.72	187.10	7.00	
DA200-170-28P-F	200.00	170.00	28.00	-	-	199.80	10.00	
DA200-170-35EO-F	200.00	170.00	35.40	-	-	199.80	10.00	
DA200-170-35-48LW-F	200.00	170.00	35.20	6.45	193.13	198.00	10.00	
DA200-170-35-48WO-F	200.00	170.00	35.40	6.40	193.00	198.00	10.00	
DA200-170-38-54LW-F	200.00	170.00	38.00	8.00	192.12	199.00	10.00	
DA200-170-38EO-F	200.00	170.00	38.00	-	-	199.80	10.00	
DA200-170-38P-F	200.00	170.00	38.00	-	-	199.80	10.00	
DA200-170-44-68LW-F	200.00	170.00	44.00	12.00	193.85	198.00	10.00	
DA200-175-32P-F	200.00	175.00	32.00	-	-	199.80	10.00	
DA200-175-32.5EO-F	200.00	175.00	32.50	-	-	199.80	10.00	
DA200-175-45-70WO	200.00	175.00	45.00	12.70	191.72	197.10	10.00	
DA200-175-38-55LW-F	200.00	175.00	38.00	9.50	193.85	198.00	10.00	
DA210-180-25P-F	210.00	180.00	25.00	-	-	209.80	10.00	
DA210-180-32-45LW-F	210.00	180.00	31.70	6.45	203.13	208.00	10.00	
DA210-180-32-45WO-F	210.00	180.00	32.40	6.40	202.70	207.90	10.00	
DA210-185-45-70WO	210.00	185.00	45.00	12.70	201.60	207.10	10.00	
DA215-185-38P-F	215.00	185.00	38.00	-	-	214.80	10.00	
DA216-184-35-48WO-F	216.00	184.00	35.80	6.40	208.96	213.84	10.00	
DA216-184-35EO-F	216.00	184.00	35.80	-	-	215.80	10.00	
DA220-190-35-48WO-F	220.00	190.00	35.40	6.40	212.90	218.00	10.00	
DA220-190-35EO-F	220.00	190.00	35.40	-	-	219.80	10.00	
DA220-190-38P-F	220.00	190.00	38.00	-	-	219.80	10.00	
DA220-195-45-70WO	220.00	195.00	45.00	12.70	211.60	217.10	10.00	
DA220-200-25P-F	220.00	200.00	25.00	-	-	219.80	10.00	
DA220-200-31-45LW-F	220.00	200.00	31.00	7.00	213.85	218.00	10.00	
DA225-195-35EO-F	225.00	195.00	35.40	-	-	224.80	10.00	
DA225-195-35-48WO-F	225.00	195.00	35.40	6.40	217.90	223.00	10.00	
DA225-200-45-70WO	225.00	200.00	45.00	12.70	216.60	222.32	10.00	
DA230-200-38EO-F	230.00	200.00	38.00	-	-	229.80	10.00	
DA230-200-38P-F	230.00	200.00	38.00	-	-	229.80	10.00	
DA230-205-45-70WO	230.00	205.00	45.00	12.70	221.72	227.10	10.00	
DA240-210-38P-F	240.00	210.00	38.00	-	-	239.80	10.00	

427 * Nominal Dimensions

Fluid Power

The Hydraulic Seal Specialists

DA

Metric **D**ouble **A**cting Piston Seal

Part Number	*ØD1	*Ød1	*L1	LW	Ødw	Ød2	C	min
DA240-215-45-70WO	240.00	215.00	45.00	12.70	231.72	237.10	10.00	
DA250-220-35-48WO-F	250.00	220.00	35.40	6.40	242.90	247.86	10.00	
DA250-220-38EO-F	250.00	220.00	38.00	-	-	249.80	10.00	
DA250-220-38P-F	250.00	220.00	38.40	-	-	249.80	10.00	
DA250-220-44-68LW-F	250.00	220.00	44.00	12.00	243.85	248.00	10.00	
DA250-225-45-70WO	250.00	225.00	45.00	12.70	241.72	247.10	10.00	
DA255-225-18.5P-F	255.00	225.00	18.90	-	-	254.80	10.00	
DA260-230-38P-F	260.00	230.00	38.00	-	-	259.80	10.00	
DA260-235-45-70WO	260.00	235.00	45.00	12.70	251.72	257.10	10.00	
DA270-240-38P-F	270.00	240.00	38.00	-	-	269.80	10.00	
DA270-245-45-70WO	270.00	245.00	45.00	12.70	261.72	267.10	10.00	
DA280-250-38P-F	280.00	250.00	38.00	-	-	279.80	10.00	
DA280-250-44-68LW-F	280.00	250.00	44.00	12.00	273.85	278.00	10.00	
DA280-255-45-70WO	280.00	255.00	45.00	12.70	271.72	277.10	10.00	
DA290-260-38P-F	290.00	260.00	38.00	-	-	289.80	10.00	
DA290-265-45-70WO	290.00	265.00	45.00	12.70	281.72	287.10	10.00	
DA300-270-35-48WO-F	300.00	270.00	35.40	6.40	292.90	297.86	10.00	
DA300-270-38P-F	300.00	270.00	38.00	-	-	299.80	10.00	
DA300-275-45-70WO	300.00	275.00	45.00	12.70	291.72	297.10	10.00	
DA320-280-45P-F	320.00	280.00	45.00	-	-	319.80	10.00	
DA320-290-38P-F	320.00	290.00	38.00	-	-	319.80	10.00	
DA320-295-45-70WO	320.00	295.00	45.00	12.70	311.80	217.10	10.00	
DA330-300-38P-F	330.00	300.00	38.00	-	-	329.80	10.00	
DA360-320-45P-F	360.00	320.00	45.00	-	-	359.80	10.00	
DA360-335-45-70WO	360.00	335.00	45.00	12.70	351.76	357.33	10.00	
DA400-360-45P-F	400.00	360.00	45.00	-	-	399.80	10.00	
DA420-380-45P-F	420.00	380.00	45.00	-	-	419.80	10.00	
DA440-400-45P-F	440.00	400.00	45.00	-	-	439.80	10.00	
DA457-407-57P-F	457.00	407.00	57.00	-	-	456.80	10.00	
DA460-420-45P-F	460.00	420.00	45.00	-	-	459.80	10.00	
DA480-440-45P-F	480.00	440.00	45.00	-	-	479.80	10.00	
DA500-460-45P-F	500.00	460.00	45.00	-	-	499.80	10.00	
DA540-500-45P-F	540.00	500.00	45.00	-	-	539.80	10.00	
DA580-540-50P-F	580.00	540.00	50.00	-	-	579.80	10.00	

* Nominal Dimensions

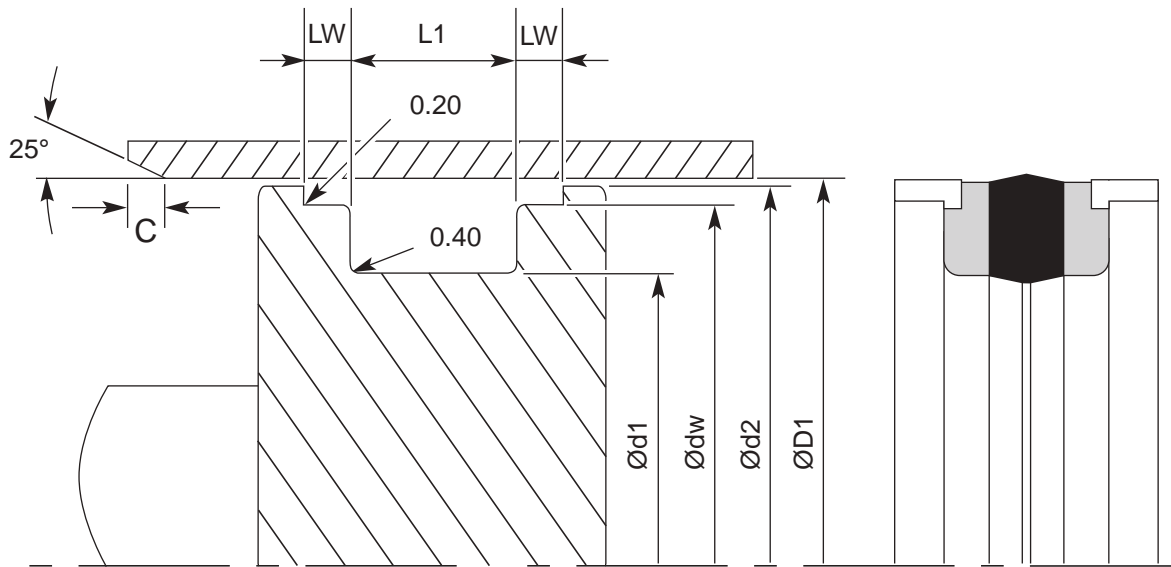
Fluid Power

The Hydraulic Seal Specialists



DA

Imperial **D**ouble **A**cting Piston Seal



Tolerances

ØD1	Ød1	Ødw	Ød2	L1	LW
H11	js11	±0.002	±0.003	+0.025 +0.015	+0.000 -0.005

Operating Conditions

Max Speed	Temp Range
m/s	-30° to 100°C
0.50	250 Bar
0.15	400 Bar

DA-WO is designed for use with split pistons. Consisting of a precision moulded fabric reinforced Nitrile sealing element and two Polyacetal wear rings on the outside diameter.

The fabric reinforces the Nitrile element and absorbs hydraulic fluid to help reduce friction.

The wear rings help prevent extrusion, permit higher working pressures and allow larger clearances between the piston and cylinder. They also support the piston under side load conditions therefore preventing metal to metal contact.

There are five other styles in the DA range and these are detailed on page 430.

Fluid Power

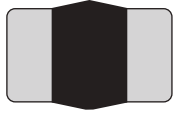
The Hydraulic Seal Specialists

DA

Imperial Double Acting Piston Seal

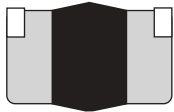


DA-P



DA-P is a **Double Acting Plain** seal consisting of a precision moulded fabric reinforced nitrile sealing element. As with all this range it is designed for use on a split piston. The fabric helps prevent extrusion whilst retaining some of the sealing media to reduce friction.

DA-EO



DA-EO is a **Double Acting** seal with anti-Extrusion rings on the **Outside** diameter. Designed for use on a split piston, the fabric helps prevent extrusion whilst retaining some of the sealing media to reduce friction. The anti-extrusion rings help prevent extrusion, permit higher working pressures and allow larger clearances between the piston and cylinder.

DA-LW



DA-LW is a **Double Acting** plain seal with **L-shaped Wear** rings consisting of a precision moulded fabric reinforced nitrile sealing element. As with all this range it is designed for use on a split piston. The fabric helps prevent extrusion whilst retaining some of the sealing media to reduce friction. The wear rings help prevent extrusion, permit higher working pressures and allow larger clearances between the piston and cylinder. They also support the piston under side load conditions therefore preventing metal to metal contact.

DA-WO/EO



DA-WO is a heavy duty five part seal primarily designed for a split piston. Consisting of a precision moulded Nitrile sealing element with two endless Polyester or fabric reinforced Nitrile support rings and two endless Polyacetal wear rings or anti-extrusion rings. This seal has a pressure rating of 700 bar. Seal sets with split support rings and wear rings are available on request.

Fluid Power

The Hydraulic Seal Specialists



DA

Imperial Double Acting Piston Seal

Part Number	*ØD1	*Ød1	*L1	LW	Ødw	Ød2	C	min
DA075037-046P-F	0.750	0.375	0.468	-	-	0.746	0.200	
DA075037-059-096LW-F	0.750	0.375	0.594	0.187	0.618	0.718	0.200	
DA087050-031P-F	0.875	0.500	0.312	-	-	0.873	0.200	
DA100050-050P-F	1.000	0.500	0.625	-	-	0.998	0.200	
DA100050-062-100LW-F	1.000	0.500	0.625	0.187	0.864	0.960	0.200	
DA100050-062-100WO-F	1.000	0.500	0.625	0.187	0.864	0.960	0.200	
DA100062-034P-F	1.000	0.625	0.342	-	-	0.998	0.200	
DA100062-046EO-F	1.000	0.625	0.468	-	-	0.998	0.200	
DA100062-046P-F	1.000	0.625	0.468	-	-	0.998	0.200	
DA100062-046-096WO-F	1.000	0.625	0.468	0.250	0.883	0.964	0.200	
DA100062-059-096LW-F	1.000	0.625	0.593	0.187	0.865	0.968	0.200	
DA112062-050P-F	1.125	0.625	0.500	-	-	1.123	0.200	
DA112062-062P-F	1.125	0.625	0.625	-	-	1.123	0.200	
DA112075-056-106WO-F	1.125	0.750	0.562	0.250	1.010	1.088	0.200	
DA115078-051P-F	1.156	0.781	0.515	-	-	1.154	0.200	
DA125075-056P-F	1.250	0.750	0.562	-	-	1.248	0.200	
DA125075-062EO-F	1.250	0.750	0.625	-	-	1.248	0.200	
DA125075-062P-F	1.250	0.750	0.625	-	-	1.248	0.200	
DA125075-062-112WO-F	1.250	0.750	0.625	0.250	1.111	1.208	0.200	
DA125075-075-125LW-F	1.250	0.750	0.750	0.250	1.115	1.218	0.200	
DA137087-062P-F	1.375	0.875	0.625	-	-	1.373	0.200	
DA137087-062-112LW-F	1.375	0.875	0.625	0.250	1.234	1.343	0.200	
DA137087-062-112WO-F	1.375	0.875	0.625	0.250	1.236	1.333	0.200	
DA137087-075-125LW-F	1.375	0.875	0.750	0.250	1.241	1.343	0.200	
DA150100-043P-F	1.500	1.000	0.437	-	-	1.498	0.200	
DA150100-062EO-F	1.500	1.000	0.625	-	-	1.498	0.200	
DA150100-062P-F	1.500	1.000	0.625	-	-	1.498	0.200	
DA150100-062-100LW-F	1.500	1.000	0.625	0.187	1.362	1.492	0.200	
DA150100-062-100WO-F	1.500	1.000	0.625	0.187	1.362	1.492	0.200	
DA150100-062-112LW-F	1.500	1.000	0.625	0.250	1.360	1.458	0.200	
DA150100-062-112WO-F	1.500	1.000	0.625	0.250	1.360	1.458	0.200	
DA150100-075-125LW-F	1.500	1.000	0.750	0.250	1.365	1.468	0.200	
DA150100-075P-F	1.500	1.000	0.750	-	-	1.498	0.200	
DA162100-075P-F	1.625	1.000	0.750	-	-	1.623	0.200	
DA162100-075-125WO-F	1.625	1.000	0.750	0.250	1.445	1.621	0.200	
DA162100-093-143LW-F	1.625	1.000	0.937	0.250	1.428	1.562	0.200	
DA162112-062EO-F	1.625	1.125	0.625	-	-	1.623	0.200	
DA162112-062-112WO-F	1.625	1.125	0.625	0.250	1.485	1.583	0.200	
DA165128-050P-F	1.656	1.281	0.500	-	-	1.654	0.200	
DA165128-050-100WO-F	1.656	1.281	0.500	0.250	1.540	1.652	0.200	

431 * Nominal Dimensions

Fluid **Power**

The Hydraulic Seal Specialists

DAImperial **D**ouble **A**cting Piston Seal

Part Number	*ØD1	*Ød1	*L1	LW	Ødw	Ød2	C	min
DA175112-056P-F	1.750	1.125	0.562	-	-	1.743	0.200	
DA175112-062P-F	1.750	1.125	0.625	-	-	1.743	0.200	
DA175112-075P-F	1.750	1.125	0.750	-	-	1.743	0.200	
DA175112-075EO-F	1.750	1.125	0.750	-	-	1.743	0.200	
DA175112-075-125LW-F	1.750	1.125	0.750	0.250	1.552	1.687	0.200	
DA175112-075-125WO-F	1.750	1.125	0.750	0.250	1.570	1.698	0.200	
DA175112-093EO-F	1.750	1.125	0.937	-	-	1.743	0.200	
DA175112-093-143LW-F	1.750	1.125	0.937	0.250	1.552	1.687	0.200	
DA175112-093-143WO-F	1.750	1.125	0.937	0.250	1.570	1.700	0.200	
DA178128-068EO-F	1.781	1.281	0.687	-	-	1.779	0.200	
DA187125-075EO-F	1.875	1.250	0.750	-	-	1.843	0.200	
DA187125-075P-F	1.875	1.250	0.750	-	-	1.843	0.200	
DA187125-075-125WO-F	1.875	1.250	0.750	0.250	1.695	1.825	0.200	
DA187125-093-143LW-F	1.875	1.250	0.937	0.250	1.679	1.835	0.200	
DA200137-046P-F	2.000	1.375	0.468	-	-	1.998	0.200	
DA200137-056P-F	2.000	1.375	0.562	-	-	1.998	0.200	
DA200137-075EO-F	2.000	1.375	0.750	-	-	1.998	0.200	
DA200137-075P-F	2.000	1.375	0.750	-	-	1.998	0.200	
DA200137-075-125LW-F	2.000	1.375	0.750	0.250	1.822	1.962	0.200	
DA200137-075-125WO-F	2.000	1.375	0.750	0.250	1.820	1.948	0.200	
DA200137-093-143LW-F	2.000	1.375	0.937	0.250	1.802	1.937	0.200	
DA200150-062-112WO-F	2.000	1.500	0.625	0.250	1.860	1.950	0.200	
DA212150-075EO-F	2.125	1.500	0.750	-	-	2.123	0.200	
DA212150-075P-F	2.125	1.500	0.750	-	-	2.123	0.200	
DA212150-075-125WO-F	2.125	1.500	0.750	0.250	1.944	2.074	0.200	
DA221184-050P-F	2.219	1.844	0.500	-	-	2.217	0.200	
DA225162-056P-F	2.250	1.625	0.562	-	-	2.248	0.200	
DA225162-075EO-F	2.250	1.625	0.750	-	-	2.248	0.200	
DA225162-075P-F	2.250	1.625	0.750	-	-	2.248	0.200	
DA225162-075-125LW-F	2.250	1.625	0.750	0.254	2.071	2.211	0.200	
DA225162-075-125WO-F	2.250	1.625	0.750	0.250	2.069	2.197	0.200	
DA225162-093-143LW-F	2.250	1.625	0.937	0.250	2.052	2.187	0.200	
DA237175-056P-F	2.375	1.750	0.562	-	-	2.373	0.200	
DA237175-075EO-F	2.375	1.750	0.750	-	-	2.373	0.200	
DA237175-075P-F	2.375	1.750	0.750	-	-	2.373	0.200	
DA237175-075-125LW-F	2.375	1.750	0.750	0.250	2.180	2.312	0.200	
DA237175-075-125WO-F	2.375	1.750	0.750	0.250	2.194	2.322	0.200	
DA237175-093-143LW-F	2.375	1.750	0.937	0.250	2.177	2.317	0.200	
DA250187-046P-F	2.500	1.875	0.468	-	-	2.498	0.200	
DA250187-050P-F	2.500	1.875	0.500	-	-	2.498	0.200	

* Nominal Dimensions

Fluid Power

The Hydraulic Seal Specialists



DA

Imperial Double Acting Piston Seal

Part Number	*ØD1	*Ød1	*L1	LW	Ødw	Ød2	C	min
DA250187-056P-F	2.500	1.875	0.562	-	-	2.498	0.200	
DA250187-075EO-F	2.500	1.875	0.750	-	-	2.498	0.200	
DA250187-075P-F	2.500	1.875	0.750	-	-	2.498	0.200	
DA250187-075-125LW-F	2.500	1.875	0.750	0.250	2.321	2.460	0.200	
DA250187-075-125WO-F	2.500	1.875	0.750	0.250	2.319	2.446	0.200	
DA250187-093EO-F	2.500	1.875	0.937	-	-	2.498	0.200	
DA250187-093-143LW-F	2.500	1.875	0.937	0.250	2.305	2.437	0.200	
DA250187-125-175WO	2.500	1.875	1.250	0.250	2.254	2.414	0.200	
DA262200-075EO-F	2.625	2.000	0.750	-	-	2.623	0.200	
DA262200-075P-F	2.625	2.000	0.750	-	-	2.623	0.200	
DA262200-075-125WO-F	2.625	2.000	0.750	0.250	2.443	2.571	0.200	
DA262200-093-143LW-F	2.625	2.000	0.937	0.250	2.428	2.562	0.200	
DA275200-071P-F	2.750	2.000	0.719	-	-	2.748	0.200	
DA275200-075EO-F	2.750	2.000	0.750	-	-	2.748	0.200	
DA275200-075-125WO-F	2.750	2.000	0.750	0.250	2.522	2.685	0.200	
DA275200-093EO-F	2.750	2.000	0.937	-	-	2.748	0.200	
DA275200-093P-F	2.750	2.000	0.937	-	-	2.748	0.200	
DA275200-093-143LW-F	2.750	2.000	0.937	0.250	2.482	2.687	0.200	
DA275200-093-143WO-F	2.750	2.000	0.937	0.250	2.522	2.685	0.200	
DA275200-118-168LW-F	2.750	2.000	1.187	0.250	2.480	2.685	0.200	
DM275200-137EO	2.750	2.000	1.375	-	-	2.654	0.200	
DM275200-137-212WO	2.750	2.000	1.375	0.375	2.460	2.654	0.200	
DA281218-075P-F	2.812	2.187	0.750	-	-	2.810	0.200	
DA287200-093P-F	2.875	2.000	0.937	-	-	2.873	0.200	
DA287212-093P-F	2.875	2.125	0.937	-	-	2.873	0.200	
DA287212-093-143WO-F	2.875	2.125	0.937	0.250	2.647	2.871	0.200	
DA300200-166P-F	3.000	2.000	1.656	-	-	2.998	0.200	
DA300225-059P-F	3.000	2.250	0.593	-	-	2.998	0.200	
DA300225-071P-F	3.000	2.250	0.719	-	-	2.998	0.200	
DA300225-084-134LW-F	3.000	2.250	0.843	0.250	2.732	2.938	0.200	
DA300225-093EO-F	3.000	2.250	0.937	-	-	2.998	0.200	
DA300225-093P-F	3.000	2.250	0.937	-	-	2.998	0.200	
DA300225-093-143LW-F	3.000	2.250	0.937	0.250	2.772	2.938	0.200	
DA300225-093-143WO-F	3.000	2.250	0.937	0.250	2.772	2.938	0.200	
DA300225-096-146LW-F	3.000	2.250	0.969	0.250	2.730	2.940	0.200	
DA300225-112EO-F	3.000	2.250	1.125	-	-	2.998	0.200	
DA300225-112-162WO-F	3.000	2.250	1.125	0.250	2.772	2.938	0.200	
DA300225-118-168LW-F	3.000	2.250	1.187	0.250	2.732	2.938	0.200	
DA300225-118-168WO-F	3.000	2.250	1.187	0.250	2.775	2.935	0.200	
DA312237-093EO-F	3.125	2.375	0.937	-	-	3.123	0.200	

433 * Nominal Dimensions

Fluid Power

The Hydraulic Seal Specialists

DA

Imperial **D**ouble **A**cting Piston Seal

Part Number	*ØD1	*Ød1	*L1	LW	Ødw	Ød2	C	min
DA312237-093P-F	3.125	2.375	0.937	-	-	3.123	0.200	
DA312237-093-143WO-F	3.125	2.375	0.937	0.250	2.896	3.060	0.200	
DA312237-118-168LW-F	3.125	2.375	1.187	0.250	2.858	3.062	0.200	
DA325250-056P-F	3.250	2.500	0.562	-	-	3.248	0.200	
DA325250-071P-F	3.250	2.500	0.709	-	-	3.248	0.200	
DA325250-093EO-F	3.250	2.500	0.937	-	-	3.248	0.200	
DA325250-093P-F	3.250	2.500	0.937	-	-	3.248	0.200	
DA325250-093-143LW-F	3.250	2.500	0.937	0.250	3.024	3.210	0.200	
DA325250-093-143WO-F	3.250	2.500	0.937	0.250	3.021	3.184	0.200	
DA325250-118-168LW-F	3.250	2.500	1.187	0.250	2.982	3.187	0.200	
DA337262-093P-F	3.375	2.625	0.937	-	-	3.373	0.200	
DA337262-118-156LW-F	3.375	2.625	1.187	0.188	3.119	3.315	0.200	
DA337262-118-168LW-F	3.375	2.625	1.187	0.250	3.108	3.315	0.200	
DA350250-148P-F	3.500	2.500	1.480	-	-	3.498	0.200	
DA350275-056P-F	3.500	2.750	0.562	-	-	3.498	0.200	
DA350275-071P-F	3.500	2.750	0.719	-	-	3.498	0.200	
DA350275-086P-F	3.500	2.750	0.860	-	-	3.498	0.200	
DA350275-093EO-F	3.500	2.750	0.937	-	-	3.498	0.200	
DA350275-093P-F	3.500	2.750	0.937	-	-	3.498	0.200	
DA350275-093-143LW-F	3.500	2.750	0.937	0.254	3.273	3.460	0.200	
DA350275-093-143WO-F	3.500	2.750	0.937	0.250	3.271	3.434	0.200	
DA350275-118EO-F	3.500	2.750	1.187	-	-	3.498	0.200	
DA350275-118-168LW-F	3.500	2.750	1.187	0.250	3.232	3.437	0.200	
DA362287-093P-F	3.625	2.875	0.937	-	-	3.623	0.200	
DA362287-093-143WO-F	3.625	2.875	0.937	0.250	3.395	3.621	0.200	
DA362287-118-168LW-F	3.625	2.875	1.187	0.250	3.360	3.562	0.200	
DA362287-137EO	3.625	2.875	1.375	-	-	3.530	0.200	
DA362287-137-212WO	3.625	2.875	1.375	0.375	3.330	3.530	0.200	
DA375200-137EO-F	3.750	2.000	1.375	-	-	3.748	0.200	
DA375300-093EO-F	3.750	3.000	0.937	-	-	3.748	0.200	
DA375300-093P-F	3.750	3.000	0.937	-	-	3.748	0.200	
DA375300-093-143WO-F	3.750	3.000	0.937	0.250	3.520	3.683	0.200	
DA375300-118-168LW-F	3.750	3.000	1.187	0.250	3.482	3.687	0.200	
DA387312-093P-F	3.875	3.125	0.937	-	-	3.873	0.200	
DA387312-093-143WO-F	3.875	3.125	0.937	0.250	3.646	3.809	0.200	
DA387312-118-168LW-F	3.875	3.125	1.187	0.250	3.610	3.812	0.200	
DA400300-125EO-F	4.000	3.000	1.250	-	-	3.998	0.200	
DA400325-056P-F	4.000	3.250	0.562	-	-	3.998	0.281	
DA400325-059P-F	4.000	3.250	0.590	-	-	3.998	0.281	
DA400325-071P-F	4.000	3.250	0.719	-	-	3.998	0.281	

* Nominal Dimensions

Fluid **Power**

The Hydraulic Seal Specialists



DA

Imperial **D**ouble **A**cting Piston Seal

Part Number	*ØD1	*Ød1	*L1	LW	Ødw	Ød2	C	min
DA400325-093EO-F	4.000	3.250	0.937	-	-	3.998	0.281	
DA400325-093P-F	4.000	3.250	0.937	-	-	3.998	0.281	
DA400325-093-143LW-F	4.000	3.250	0.937	0.250	3.772	3.958	0.281	
DA400325-093-143WO-F	4.000	3.250	0.937	0.250	3.772	3.958	0.281	
DA400325-118-168LW-F	4.000	3.250	1.187	0.250	3.732	3.937	0.281	
DA400325-137EO	4.000	3.250	1.375	-	-	3.902	0.281	
DA400325-137-212WO	4.000	3.250	1.375	0.375	3.709	3.902	0.281	
DA402324-087P-F	4.024	3.245	0.875	-	-	4.022	0.281	
DA403325-093P-F	4.035	3.250	0.937	-	-	3.998	0.281	
DA425350-071P-F	4.250	3.500	0.719	-	-	4.248	0.281	
DA425350-093EO-F	4.250	3.500	0.937	-	-	4.248	0.281	
DA425350-093P-F	4.250	3.500	0.937	-	-	4.248	0.281	
DA425350-093-143LW-F	4.250	3.500	0.937	0.250	4.022	4.210	0.281	
DA425350-093-143WO-F	4.250	3.500	0.937	0.250	4.019	4.182	0.281	
DA425350-118-168LW-F	4.250	3.500	1.187	0.250	3.982	4.187	0.281	
DA450350-103P-F	4.500	3.500	1.032	-	-	4.498	0.281	
DA450350-125EO-F	4.500	3.500	1.250	-	-	4.498	0.281	
DA450350-125P-F	4.500	3.500	1.250	-	-	4.498	0.281	
DA450350-125-175LW-F	4.500	3.500	1.250	0.250	4.231	4.450	0.281	
DA450350-125-175WO-F	4.500	3.500	1.250	0.250	4.229	4.422	0.281	
DA450350-150-200WO-F	4.500	3.500	1.500	0.250	4.229	4.422	0.281	
DA450350-150-225LW-F	4.500	3.500	1.500	0.375	4.232	4.437	0.281	
DA450350-175EO	4.500	3.500	1.750	-	-	4.397	0.281	
DA450350-175-275WO	4.500	3.500	1.750	0.500	4.178	4.397	0.281	
DA462362-103P-F	4.625	3.625	1.032	-	-	4.623	0.281	
DA462362-125P-F	4.625	3.625	1.250	-	-	4.623	0.281	
DA462362-125-175LW-F	4.625	3.625	1.250	0.254	4.355	4.582	0.281	
DA462362-125-175WO-F	4.625	3.625	1.250	0.250	4.353	4.547	0.281	
DA462362-150-225LW-F	4.625	3.625	1.500	0.375	4.360	4.562	0.281	
DA462362-175-275WO	4.625	3.625	1.750	0.500	4.302	4.520	0.281	
DA475375-093P-F	4.750	3.750	0.937	-	-	4.743	0.281	
DA475375-103P-F	4.750	3.750	1.032	-	-	4.743	0.281	
DA475375-125EO-F	4.750	3.750	1.250	-	-	4.743	0.281	
DA475375-125P-F	4.750	3.750	1.250	-	-	4.743	0.281	
DA475375-125-175LW-F	4.750	3.750	1.250	0.250	4.483	4.700	0.281	
DA475375-125-175WO-F	4.750	3.750	1.250	0.250	4.478	4.671	0.281	
DA475375-150-225LW-F	4.750	3.750	1.500	0.375	4.478	4.671	0.281	
DA500400-103P-F	5.000	4.000	1.032	-	-	4.998	0.281	
DA500400-125EO-F	5.000	4.000	1.250	-	-	4.998	0.281	
DA500400-125P-F	5.000	4.000	1.250	-	-	4.998	0.281	

435 * Nominal Dimensions

Fluid **Power**

The Hydraulic Seal Specialists

DAImperial **D**ouble **A**cting Piston Seal

Part Number	*ØD1	*Ød1	*L1	LW	Ødw	Ød2	C	min
DA500400-125-175LW-F	5.000	4.000	1.250	0.250	4.730	4.956	0.281	
DA500400-125-175WO-F	5.000	4.000	1.250	0.250	4.728	4.921	0.281	
DA500400-150P-F	5.000	4.000	1.500	-	-	4.998	0.281	
DA500400-150-225LW-F	5.000	4.000	1.500	0.375	4.732	4.937	0.281	
DA500400-175EO	5.000	4.000	1.750	-	-	4.896	0.281	
DA500400-175-275WO	5.000	4.000	1.750	0.500	4.677	4.896	0.281	
DA500425-093P-F	5.000	4.250	0.937	-	-	4.998	0.281	
DA525425-125EO-F	5.250	4.250	1.250	-	-	5.243	0.281	
DA525425-125P-F	5.250	4.250	1.250	-	-	5.243	0.281	
DA525425-125-175WO-F	5.250	4.250	1.250	0.250	4.977	5.170	0.281	
DA525425-150-225LW-F	5.250	4.250	1.500	0.375	4.982	5.187	0.281	
DA550450-100EO-F	5.500	4.500	1.000	-	-	5.498	0.281	
DA550450-100-148LW-F	5.500	4.500	1.000	0.238	5.235	5.437	0.281	
DA550450-100-150WO-F	5.500	4.500	1.000	0.250	5.230	5.420	0.281	
DA550450-103P-F	5.500	4.500	1.031	-	-	5.498	0.281	
DA550450-125EO-F	5.500	4.500	1.250	-	-	5.498	0.281	
DA550450-125P-F	5.500	4.500	1.250	-	-	5.498	0.281	
DA550450-125-175LW-F	5.500	4.500	1.250	0.250	5.235	5.456	0.281	
DA550450-125-175WO-F	5.500	4.500	1.250	0.250	5.422	5.498	0.281	
DA550450-150P-F	5.500	4.500	1.500	-	-	5.498	0.281	
DA550450-150-225LW-F	5.500	4.500	1.500	0.375	5.232	5.437	0.281	
DA550450-150-225WO-F	5.500	4.500	1.500	0.375	5.232	5.437	0.281	
DA550450-175-275WO	5.500	4.500	1.750	0.500	5.176	5.395	0.281	
DA575475-125EO-F	5.750	4.750	1.250	-	-	5.743	0.281	
DA575475-125P-F	5.750	4.750	1.250	-	-	5.743	0.281	
DA575475-125-175WO-F	5.750	4.750	1.250	0.250	5.475	5.669	0.281	
DA575475-150-225LW-F	5.750	4.750	1.500	0.375	5.484	5.687	0.281	
DA600500-103P-F	6.000	5.000	1.031	-	-	5.998	0.281	
DA600500-125EO-F	6.000	5.000	1.250	-	-	5.998	0.281	
DA600500-125P-F	6.000	5.000	1.250	-	-	5.998	0.281	
DA600500-125-175LW-F	6.000	5.000	1.250	0.250	5.728	5.954	0.281	
DA600500-125-175WO-F	6.000	5.000	1.250	0.250	5.726	5.919	0.281	
DA600500-150P-F	6.000	5.000	1.500	-	-	5.998	0.281	
DA600500-150-225LW-F	6.000	5.000	1.500	0.375	5.732	5.937	0.281	
DA600500-175-275LW-F	6.000	5.000	1.750	0.500	5.676	5.937	0.281	
DA600500-175EO	6.000	5.000	1.750	-	-	5.894	0.281	
DA600500-175-275WO	6.000	5.000	1.750	0.500	5.675	5.894	0.281	
DA612512-125P-F	6.125	5.125	1.250	-	-	6.123	0.281	
DA625525-125P-F	6.250	5.250	1.250	-	-	6.248	0.281	
DA625525-150-225LW-F	6.250	5.250	1.500	0.375	5.984	6.187	0.281	

* Nominal Dimensions

Fluid **Power**

The Hydraulic Seal Specialists

**DA**Imperial **D**ouble **A**cting Piston Seal

Part Number	*ØD1	*Ød1	*L1	LW	Ødw	Ød2	C	min
DA650550-125EO-F	6.500	5.500	1.250	-	-	6.498	0.281	
DA650550-125P-F	6.500	5.500	1.250	-	-	6.498	0.281	
DA650550-125-175LW-F	6.500	5.500	1.250	0.250	6.227	6.454	0.281	
DA650550-125-175WO-F	6.500	5.500	1.250	0.250	6.226	6.419	0.281	
DA650550-150-225LW-F	6.500	5.500	1.500	0.375	6.232	6.437	0.281	
DA650575-093P-F	6.500	5.750	0.937	-	-	6.498	0.281	
DA650575-118-193LW-F	6.500	5.750	1.187	0.375	6.235	6.437	0.281	
DA675575-125EO-F	6.750	5.750	1.250	-	-	6.743	0.281	
DA675575-125P-F	6.750	5.750	1.250	-	-	6.743	0.281	
DA675575-150-225LW-F	6.750	5.750	1.500	0.375	6.484	6.687	0.281	
DA700600-125EO-F	7.000	6.000	1.250	-	-	6.998	0.281	
DA700600-125P-F	7.000	6.000	1.250	-	-	6.998	0.281	
DA700600-125-175WO-F	7.000	6.000	1.250	0.250	6.724	6.917	0.281	
DA700600-150-225LW-F	7.000	6.000	1.500	0.375	6.732	6.937	0.281	
DA700600-175-275WO	7.000	6.000	1.750	0.500	6.672	6.917	0.281	
DA725600-162P-F	7.250	6.000	1.625	-	-	7.248		
DA750625-125P-F	7.500	6.250	1.250	-	-	6.998	0.281	
DA750625-162P-F	7.500	6.250	1.625	-	-	6.998	0.281	
DA750625-187-262LW-F	7.500	6.250	1.875	0.375	7.437	7.498	0.281	
DA775650-162P-F	7.750	6.500	1.625	-	-	7.743	0.281	
DA775650-187-262LW-F	7.750	6.500	1.875	0.375	7.490	7.687	0.281	
DA800675-150-212WO-F	8.000	6.750	1.500	0.312	7.681	7.975	0.375	
DA800675-162EO-F	8.000	6.750	1.625	-	-	7.998	0.375	
DA800675-162P-F	8.000	6.750	1.625	-	-	7.998	0.375	
DA800700-100P-F	8.000	7.000	1.000	-	-	7.998	0.375	
DA800700-125P-F	8.000	7.000	1.250	-	-	7.998	0.375	
DA800700-125-175WO-F	8.000	7.000	1.250	0.250	7.723	7.915	0.375	
DA800700-125-200LW-F	8.000	7.000	1.250	0.375	7.740	7.937	0.375	
DA800725-118-193LW-F	8.000	7.250	1.187	0.375	7.740	7.937	0.375	
DA825700-162P-F	8.250	7.000	1.625	-	-	8.243	0.375	
DA850725-162P-F	8.500	7.250	1.625	-	-	8.498	0.375	
DA875750-162P-F	8.750	7.500	1.625	-	-	8.743	0.375	
DA900775-155P-F	9.000	7.750	1.550	-	-	8.998	0.375	
DA900775-162EO-F	9.000	7.750	1.625	-	-	8.998	0.375	
DA900775-162P-F	9.000	7.750	1.625	-	-	8.998	0.375	
DA900775-187-262LW-F	9.000	7.750	1.875	0.375	8.740	8.937	0.375	
DA900800-100P-F	9.000	8.000	1.000	-	-	8.998	0.375	
DA925800-162P-F	9.250	8.000	1.625	-	-	9.248	0.375	
DA950825-162P-F	9.500	8.250	1.625	-	-	9.498	0.375	
DA950850-125-175WO-F	9.500	8.500	1.250	0.250	9.225	9.418	0.375	

437 * Nominal Dimensions

Fluid Power

The Hydraulic Seal Specialists

DA

Imperial Double Acting Piston Seal



Part Number	*ØD1	*Ød1	*L1	LW	Ødw	Ød2	C	min
DA975850-162P-F	9.750	8.500	1.625	-	-	9.748	0.375	
DA1000875-131EO-F	10.000	8.750	1.312	-	-	9.998	0.375	
DA1000875-162EO-F	10.000	8.750	1.625	-	-	9.998	0.375	
DA1000875-162P-F	10.000	8.750	1.625	-	-	9.998	0.375	
DA1000900-125-200LW-F	10.000	9.000	1.250	0.375	9.740	9.937	0.375	
DA1025900-162P-F	10.250	9.000	1.625	-	-	10.243	0.375	
DA1050925-162P-F	10.500	9.250	1.625	-	-	10.498	0.375	
DA1050950-150-200WO-F	10.500	9.500	1.500	0.250	10.221	10.415	0.375	
DA1075950-162P-F	10.750	9.500	1.625	-	-	10.748	0.375	
DA1100975-162P-F	11.000	9.750	1.625	-	-	10.998	0.375	
DA11501025-162P-F	11.500	10.250	1.625	-	-	11.498	0.375	
DA12001050-175EO-F	12.000	10.500	1.750	-	-	11.998	0.375	
DA12001075-162P-F	12.000	10.750	1.625	-	-	11.998	0.375	
DA12751150-162P-F	12.750	11.500	1.625	-	-	12.743	0.375	
DA13001175-162P-F	13.000	11.750	1.625	-	-	12.998	0.375	
DA13251200-162P-F	13.250	12.000	1.625	-	-	13.243	0.375	
DA14251300-162P-F	14.250	13.000	1.625	-	-	14.248	0.375	
DA14501300-150P-F	14.500	13.000	1.500	-	-	14.498	0.375	
DA15001375-150P-F	15.000	13.750	1.500	-	-	14.998	0.375	
DA15251400-200P-F	15.250	14.000	2.000	-	-	15.248	0.375	
DA16001475-180P-F	16.000	14.750	1.800	-	-	15.998	0.375	
DA19501800-250P-F	19.500	18.000	2.500	-	-	19.498	0.375	
DA20001850-175P-F	20.000	18.500	1.750	-	-	18.498	0.375	
DA21752000-206P-F	21.750	20.000	2.062	-	-	21.743	0.375	
DA31503000-175P-F	31.500	30.000	1.750	-	-	31.498	0.375	

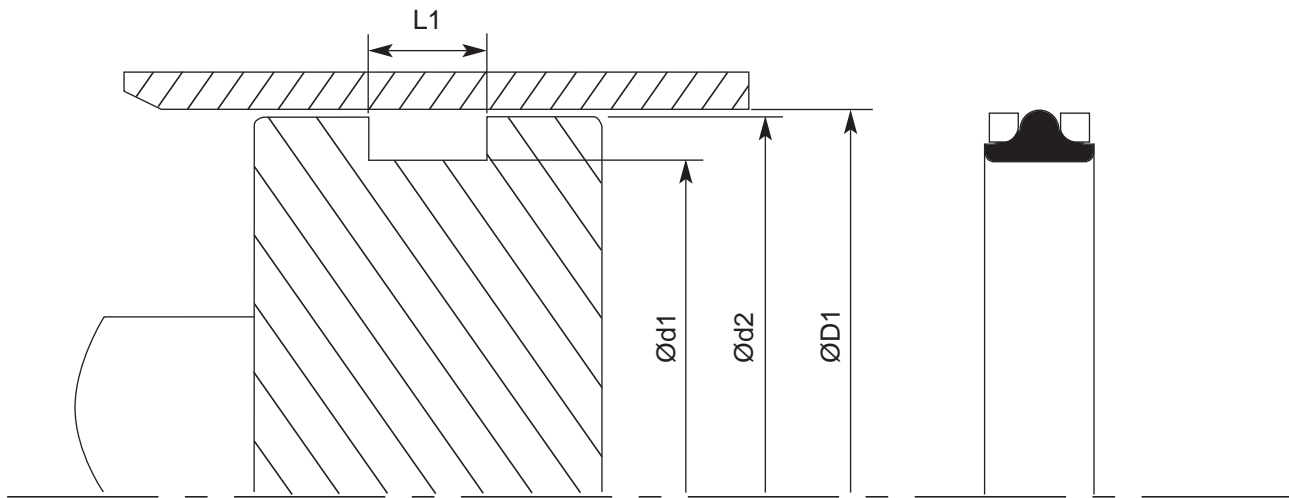
* Nominal Dimensions

Fluid Power

The Hydraulic Seal Specialists



CP-T Crown Piston T-Seal



Tolerances

ØD1	Ød1	L1	Ød2
+0.001 -0.000	+0.000 -0.002	+0.010 -0.000	+0.000 -0.004

Operating Conditions

Max Pressure	Temp Range
350 bar	-30° to 100°C

CP-T is a three part seal for use on a one piece piston. Designed to be installed in standard o-ring grooves.

Fluid **Power**

The Hydraulic Seal Specialists

CP-T

Crown Piston T-Seal



Part Number	*ØD1	*Ød1	*L1	*Ød2
CP106T	0.375	0.191	0.156	0.371
CP108T	0.437	0.253	0.156	0.433
CP109T	0.500	0.316	0.156	0.496
CP203T	0.562	0.318	0.187	0.558
CP204T	0.625	0.381	0.187	0.621
CP205T	0.687	0.437	0.187	0.683
CP206T	0.750	0.506	0.187	0.746
CP207T	0.812	0.568	0.187	0.808
CP208T	0.875	0.632	0.187	0.874
CP209T	0.937	0.693	0.187	0.933
CP210T	1.000	0.758	0.187	0.999
CP211T	1.063	0.819	0.187	1.059
CP212T	1.125	0.883	0.187	1.124
CP213T	1.187	0.945	0.187	1.186
CP214T	1.250	0.883	0.187	1.249
CP215T	1.313	1.069	0.187	1.309
CP216T	1.375	1.133	0.187	1.374
CP217T	1.437	1.195	0.187	1.436
CP218T	1.500	1.258	0.187	1.499
CP218T-WB	1.500	1.258	0.304	1.499
CP219T	1.563	1.319	0.187	1.559
CP220T	1.625	1.383	0.187	1.624
CP221T	1.687	1.445	0.187	1.684
CP222T	1.750	1.508	0.187	1.749
CP222T-IB	1.750	1.508	0.235	1.749
CP325T	1.875	1.504	0.280	1.874
CP326T	2.000	1.629	0.280	1.999
CP326T-IB	2.000	1.629	0.334	1.999
CP327T	2.125	1.754	0.280	2.124
CP328T	2.250	1.879	0.280	2.249
CP328T-IB	2.250	1.879	0.334	2.249
CP328T-WB	2.250	1.879	0.424	2.249
CP329T	2.375	2.004	0.280	2.374
CP330T	2.500	2.129	0.280	2.499
CP330T-IB	2.500	2.129	0.334	2.499
CP330T-WB	2.500	2.129	0.424	2.499
CP331T	2.625	2.254	0.280	2.624
CP332T	2.750	2.380	0.280	2.749
CP333T	2.875	2.505	0.280	2.874
CP333T-WB	2.875	2.505	0.424	2.874

* Nominal Dimensions

Fluid **Power**

The Hydraulic Seal Specialists



CP-T

Crown Piston T-Seal

Part Number	*ØD1	*Ød1	*L1	*Ød2
CP334T	3.000	2.630	0.280	2.999
CP334T-IB	3.000	2.630	0.334	2.999
CP334T-WB	3.000	2.630	0.424	2.999
CP335T	3.125	2.755	0.280	3.124
CP336T	3.250	2.880	0.280	3.249
CP338T	3.500	3.131	0.280	3.499
CP338T-IB	3.500	3.131	0.334	3.499
CP338T-WB	3.500	3.131	0.424	3.499
CP339T	3.625	3.256	0.280	3.624
CP340T	3.750	3.381	0.280	3.749
CP341T	3.875	3.506	0.280	3.874
CP342T	4.000	3.631	0.280	3.999
CP342T-WB	4.000	3.631	0.424	3.999
CP343T	4.125	3.754	0.280	4.121
CP344T	4.250	3.881	0.280	4.249
CP344T-WB	4.250	3.881	0.424	4.249
CP345T	4.375	4.006	0.280	4.374
CP346T	4.500	4.131	0.280	4.499
CP346T-IB	4.500	4.131	0.334	4.499
CP346T-WB	4.500	4.131	0.424	4.499
CP347T	4.625	4.256	0.280	4.624
CP347T-IB	4.625	4.256	0.334	4.624
CP348T	4.750	4.341	0.280	4.749
CP349T	4.875	4.506	0.280	4.874
CP350T	5.000	4.632	0.280	4.999
CP350T-WB	5.000	4.632	0.424	4.999
CP425T-IB	5.000	4.525	0.475	4.999
CP425T-WB	5.000	4.525	0.579	4.999
CP426T	5.125	4.650	0.366	5.122
CP427T	5.250	4.777	0.366	5.249
CP428T	5.375	4.890	0.366	5.372
CP429T	5.500	5.027	0.366	5.499
CP429T-IB	5.500	5.027	0.475	5.499
CP430T	5.625	5.150	0.366	5.622
CP431T	5.750	5.277	0.366	5.749
CP432T	5.875	5.402	0.366	5.874
CP433T	6.000	5.527	0.366	5.999
CP433T-IB	6.000	5.527	0.475	5.999
CP433T-WB	6.000	5.527	0.579	5.999
CP434T	6.125	5.650	0.366	6.122

441 * Nominal Dimensions

Fluid Power

The Hydraulic Seal Specialists

CP-T Crown Piston T-Seal



Part Number	*ØD1	*Ød1	*L1	*Ød2
CP435T	6.250	5.777	0.366	6.249
CP435T-IB	6.250	5.777	0.475	6.249
CP437T	6.500	6.028	0.366	6.499
CP438T	6.750	6.277	0.366	6.745
CP439T	7.000	6.528	0.366	6.999
CP439T-IB	7.000	6.528	0.475	6.999
CP439T-WB	7.000	6.528	0.579	6.999
CP440T	7.250	6.778	0.366	7.249
CP441T	7.500	7.028	0.366	7.499
CP442T	7.750	7.277	0.366	7.745
CP443T	8.000	7.528	0.366	7.999
CP443T-WB	8.000	7.528	0.579	7.999
CP444T	8.250	7.778	0.366	8.249
CP444T-IB	8.250	7.778	0.475	8.249
CP445T	8.500	8.027	0.366	8.495
CP446T	9.000	8.528	0.366	8.999
CP446T-IB	9.000	8.528	0.475	8.999
CP447T	9.500	9.028	0.366	9.499
CP448T	10.000	9.528	0.366	9.999
CP448T-IB	10.000	9.528	0.475	9.999
CP449T	10.500	10.028	0.366	10.499
CP450T	11.000	10.528	0.366	10.999
CP450T-IB	11.000	10.528	0.475	10.999
CP451T	11.500	11.022	0.366	11.495
CP452T	12.000	11.528	0.366	11.999
CP452T-WB	12.000	11.528	0.579	11.999

* Nominal Dimensions

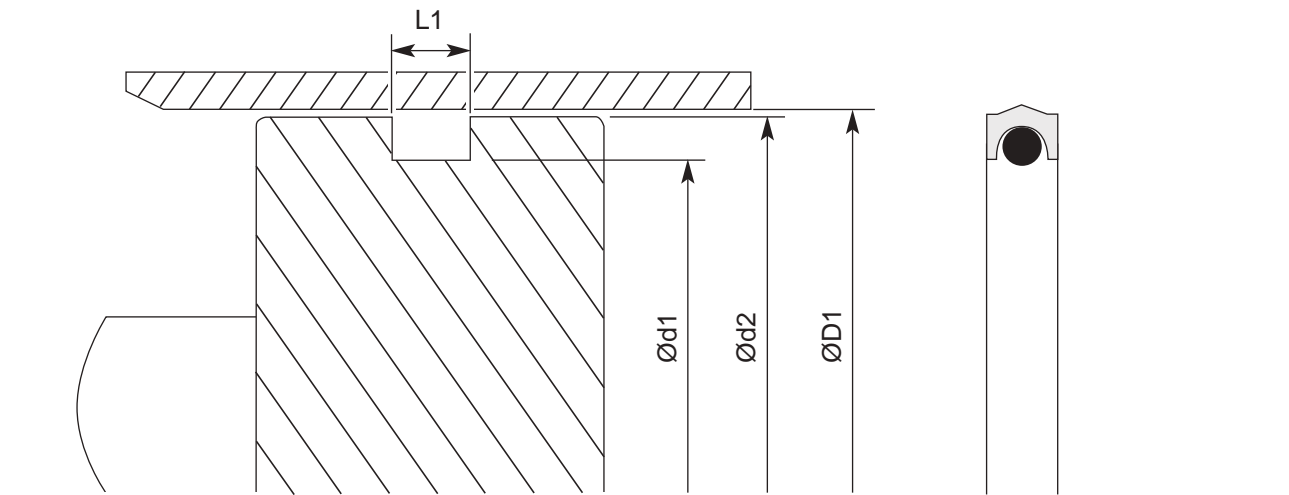
Fluid Power

The Hydraulic Seal Specialists



CP-P

Crown Piston Seal in Polyurethane



Tolerances

	ØD1	Ød1	L1	Ød2
For ØD1 ≤ 2.750"	+0.002 -0.000	+0.000 -0.002	+0.005 -0.000	+0.000 -0.002
For ØD1 >2.750"	+0.004 -0.000	+0.000 -0.004	+0.005 -0.000	+0.000 -0.004

Operating Conditions

Max Pressure	Temp Range
350 bar	-30° to 100°C

CP-P is a double-acting piston seal designed to replace O-rings, quad rings and FPE style CP-T with the same dimensions. Back-up rings may be added to either or both sides to increase the width of the seal when replacing a wide seal.

Fluid **Power**

The Hydraulic Seal Specialists

CP-P**C**rown **P**iston Seal in **P**olyurethane

Part Number	*ØD1	*Ød1	*L1	*Ød2
CP106-P	0.374	0.188	0.150	0.372
CP108-P	0.436	0.250	0.150	0.434
CP109-P	0.499	0.313	0.150	0.497
CP203-P	0.561	0.315	0.185	0.559
CP204-P	0.624	0.378	0.185	0.622
CP205-P	0.686	0.440	0.185	0.684
CP206-P	0.749	0.503	0.185	0.747
CP207-P	0.811	0.565	0.185	0.809
CP208-P	0.874	0.628	0.185	0.872
CP209-P	0.936	0.690	0.185	0.934
CP210-P	1.000	0.754	0.185	0.998
CP211-P	1.062	0.816	0.185	1.060
CP212-P	1.125	0.879	0.185	1.123
CP213-P	1.187	0.941	0.185	1.185
CP214-P	1.250	1.004	0.185	1.248
CP215-P	1.312	1.066	0.185	1.310
CP216-P	1.375	1.129	0.185	1.373
CP217-P	1.437	1.191	0.185	1.435
CP218-P	1.500	1.254	0.185	1.498
CP218WB-P	1.500	1.254	0.296	1.498
CP219-P	1.562	1.316	0.185	1.560
CP220-P	1.625	1.379	0.185	1.623
CP222-P	1.750	1.504	0.185	1.748
CP222WB-P	1.750	1.504	0.296	1.748
CP325-P	1.875	1.500	0.280	1.873
CP326-P	2.000	1.625	0.280	1.998
CP326WB-P	2.000	1.625	0.423	1.998
CP327-P	2.125	1.750	0.280	2.123
CP328-P	2.250	1.875	0.280	2.248
CP329-P	2.375	2.000	0.280	2.373
CP330-P	2.500	2.125	0.280	2.498
CP330WB-P	2.500	2.125	0.423	2.498
CP331-P	2.625	2.250	0.280	2.622
CP332-P	2.749	2.374	0.280	2.747
CP333-P	2.874	2.499	0.280	2.872
CP334-P	2.999	2.624	0.280	2.997
CP334WB-P	2.999	2.624	0.423	2.997
CP335-P	3.124	2.749	0.280	3.122
CP336-P	3.249	2.874	0.280	3.247
CP337-P	3.375	3.000	0.280	3.373

* Nominal Dimensions

Fluid **Power**

The Hydraulic Seal Specialists

**CP-P****C**rown **P**iston Seal in **P**olyurethane

Part Number	*ØD1	*Ød1	*L1	*Ød2
CP338-P	3.500	3.125	0.280	3.498
CP338WB-P	3.500	3.125	0.423	3.498
CP339-P	3.625	3.250	0.280	3.623
CP340-P	3.752	3.375	0.280	3.748
CP341-P	3.875	3.500	0.280	3.873
CP341WB-P	3.875	3.500	0.423	3.873
CP342-P	4.000	3.625	0.280	3.998
CP342WB-P	4.000	3.625	0.423	3.998
CP343-P	4.125	3.750	0.280	4.123
CP344-P	4.250	3.875	0.280	4.248
CP345-P	4.375	4.000	0.280	4.373
CP346-P	4.500	4.125	0.280	4.498
CP347-P	4.625	4.250	0.280	4.623
CP348-P	4.750	4.375	0.280	4.748
CP349-P	4.875	4.500	0.280	4.873
CP350-P	5.001	4.626	0.280	4.999
CP425-P	5.001	4.521	0.365	4.999
CP426-P	5.125	4.646	0.365	5.124
CP427-P	5.251	4.770	0.365	5.249
CP428-P	5.376	4.896	0.365	5.374
CP429-P	5.501	5.021	0.365	5.499
CP430-P	5.626	5.146	0.365	5.624
CP431-P	5.751	5.271	0.365	5.749
CP432-P	5.876	5.396	0.365	5.874
CP433-P	6.001	5.521	0.365	5.999
CP433WB-P	6.001	5.521	0.574	5.999
CP434-P	6.126	5.646	0.365	6.124
CP435-P	6.251	5.771	0.365	6.249
CP437-P	6.500	6.020	0.365	6.498
CP438-P	6.750	6.270	0.365	6.748
CP439-P	7.000	6.520	0.365	6.998
CP440-P	7.250	6.770	0.365	7.248
CP441-P	7.500	7.020	0.365	7.498
CP442-P	7.750	7.270	0.365	7.748
CP443-P	8.000	7.520	0.365	7.998
CP444-P	8.250	7.770	0.365	8.248
CP445-P	8.500	8.020	0.365	8.498
CP446-P	9.000	8.520	0.365	8.998
CP447-P	9.500	9.020	0.365	9.498
CP448-P	10.000	9.520	0.365	9.998

445 * Nominal Dimensions

Fluid Power

The Hydraulic Seal Specialists

CP-P

Crown Piston Seal in Polyurethane



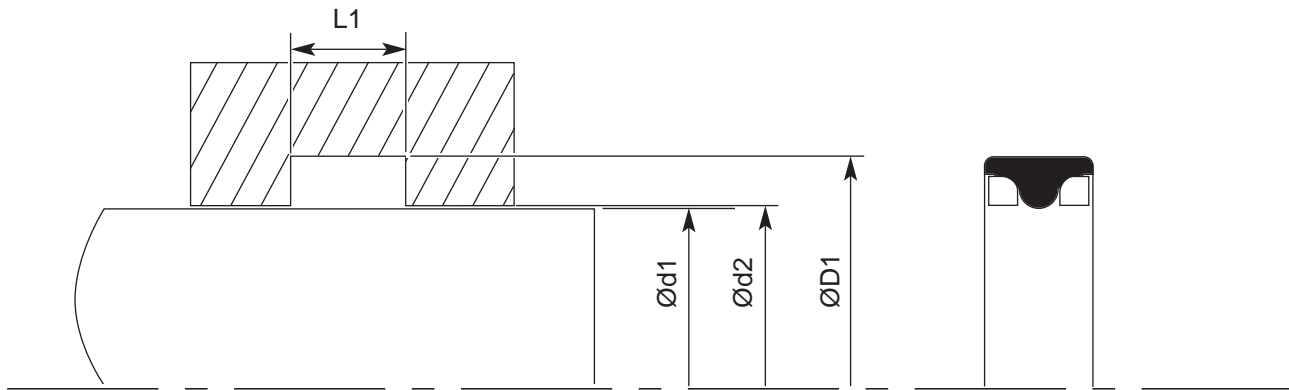
Part Number	*ØD1	*Ød1	*L1	*Ød2
CP449-P	10.500	10.020	0.365	10.498
CP450-P	11.000	10.520	0.365	10.998
CP451-P	11.500	11.020	0.365	11.498
CP452-P	12.000	11.520	0.365	11.998
CP453-P	12.500	12.020	0.365	12.498
CP454-P	13.000	12.520	0.365	12.998
CP456-P	14.000	13.520	0.365	13.998

* Nominal Dimensions



CR-T

Crown Rod T-Seal



Tolerances				
	Ød1	ØD1	L1	Ød2
For Ød1 ≤ 3/8"	+0.000 -0.001	+0.004 -0.000	+0.010 -0.000	+0.003 -0.000
For Ød1 ≤ 1-1/2"				+0.004 -0.000
For Ød1 ≤ 5"				+0.006 -0.000
For Ød1 > 5"				+0.008 -0.000

Operating Conditions	
Max Pressure	Temp Range
350 bar	-30° to 100°C

CR-T is a three part seal. Designed to install in standard o-ring grooves.

Fluid **Power**

The Hydraulic Seal Specialists

CR-T

Crown Rod T-Seal



Part Number	*ØD1	*Ød1	*L1	*Ød2
CR106T	0.368	0.187	0.152	0.188
CR108T	0.432	0.250	0.152	0.251
CR109T	0.492	0.312	0.152	0.313
CR204T	0.616	0.375	0.187	0.376
CR205T	0.678	0.437	0.187	0.438
CR206T	0.741	0.500	0.187	0.501
CR207T	0.803	0.567	0.187	0.569
CR208T	0.866	0.625	0.187	0.626
CR209T	0.928	0.687	0.187	0.688
CR210T	0.990	0.750	0.187	0.751
CR211T	1.053	0.812	0.187	0.813
CR212T	1.115	0.875	0.187	0.876
CR213T	1.178	0.937	0.187	0.938
CR214T	1.241	1.000	0.187	1.001
CR215T	1.302	1.062	0.187	1.063
CR216T	1.365	1.125	0.187	1.126
CR217T	1.427	1.187	0.187	1.188
CR218T	1.490	1.250	0.187	1.251
CR219T	1.553	1.312	0.187	1.313
CR220T	1.615	1.375	0.187	1.376
CR221T	1.678	1.437	0.187	1.438
CR222T	1.740	1.500	0.187	1.501
CR325T	1.869	1.500	0.282	1.501
CR326T	1.994	1.625	0.282	1.626
CR327T	2.119	1.750	0.282	1.751
CR328T	2.244	1.875	0.282	1.876
CR329T	2.369	2.000	0.282	2.001
CR329T-WB	2.369	2.000	0.410	2.001
CR330T	2.494	2.125	0.282	2.126
CR331T	2.611	2.250	0.282	2.251
CR332T	2.743	2.375	0.282	2.376
CR333T	2.868	2.500	0.282	2.501
CR334T	2.993	2.625	0.282	2.626
CR335T	3.118	2.750	0.282	2.751
CR336T	3.243	2.875	0.282	2.876
CR337T	3.367	3.000	0.282	3.001
CR338T	3.492	3.125	0.282	3.126
CR339T	3.617	3.250	0.282	3.251
CR340T	3.742	3.375	0.282	3.376
CR341T	3.867	3.500	0.282	3.501

* Nominal Dimensions

Fluid Power

The Hydraulic Seal Specialists



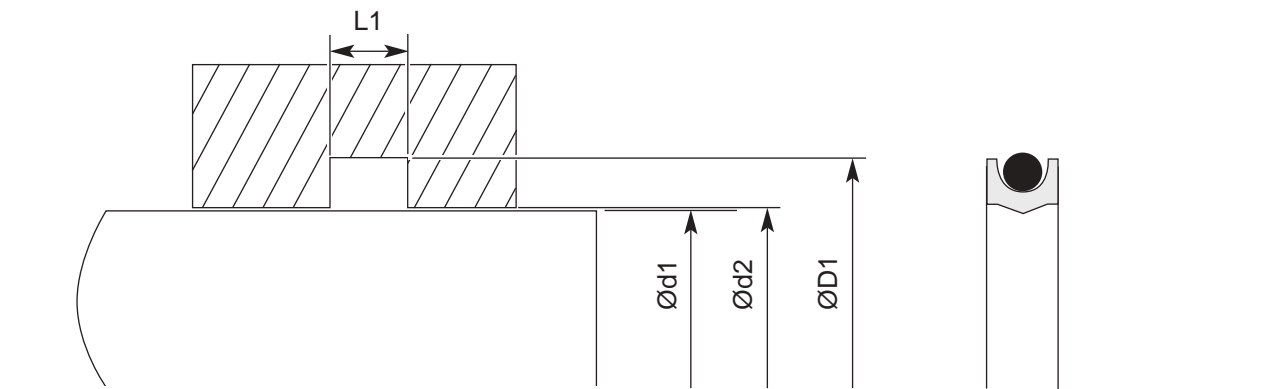
CR-T Crown Rod T-Seal

Part Number	*ØD1	*Ød1	*L1	*Ød2
CR342T	3.992	3.625	0.282	3.626
CR343T	4.117	3.750	0.282	3.751
CR344T	4.242	3.875	0.282	3.876
CR345T	4.367	4.000	0.282	4.001
CR346T	4.492	4.125	0.282	4.126
CR347T	4.617	4.250	0.282	4.251
CR348T	4.742	4.375	0.282	4.376
CR349T	4.867	4.500	0.282	4.501
CR429T	5.472	5.000	0.366	5.001
CR430T	5.617	5.125	0.366	5.126
CR431T	5.722	5.250	0.366	5.251
CR433T	5.972	5.500	0.366	5.501
CR434T	6.096	5.625	0.366	5.626
CR437T	6.471	6.000	0.366	6.001
CR438T	6.721	6.250	0.366	6.251
CR439T	6.971	6.500	0.366	6.501
CR440T	7.221	6.750	0.366	6.751
CR441T	7.471	7.000	0.366	7.001
CR442T	7.721	7.250	0.366	7.251
CR443T	7.971	7.500	0.366	7.501
CR444T	8.221	7.750	0.366	7.751
CR445T	8.471	8.000	0.366	8.001
CR446T	8.971	8.500	0.366	8.501
CR447T	9.471	9.000	0.366	9.001
CR448T	9.971	9.500	0.366	9.501
CR449T	10.471	10.000	0.366	10.001
CR451T	11.471	11.000	0.366	11.001

Fluid Power

The Hydraulic Seal Specialists

CR-P Crown Rod Seal in Polyurethane



Tolerances

	Ød1	ØD1	L1	Ød2
For Ød1 ≤ 3/8"	+0.000 -0.001	+0.004 -0.000	+0.010 -0.000	+0.003 -0.000
For Ød1 ≤ 1-1/2"				+0.004 -0.000
For Ød1 ≤ 5"				+0.006 -0.000
For Ød1 > 5"				+0.008 -0.000

Operating Conditions

Max Pressure	Temp Range
350 bar	-30° to 100°C

CR-P is a double-acting rod seal designed to replace O-rings, quad rings and FPE style CR-T with the same dimensions. Back-up rings may be added to either or both sides to increase the width of the seal when replacing a wide seal.

Fluid Power

The Hydraulic Seal Specialists



CR-P Crown Rod Seal in Polyurethane

Part Number	*ØD1	*Ød1	*L1	*Ød2
CR112-P	0.680	0.500	0.152	0.501
CR204-P	0.616	0.375	0.187	0.376
CR205-P	0.678	0.437	0.187	0.438
CR206-P	0.741	0.500	0.187	0.501
CR207-P	0.803	0.567	0.187	0.569
CR208-P	0.866	0.625	0.187	0.626
CR210-P	0.990	0.750	0.187	0.751
CR211-P	1.053	0.812	0.187	0.813
CR212-P	1.115	0.875	0.187	0.876
CR213-P	1.178	0.937	0.187	0.938
CR214-P	1.241	1.000	0.187	1.001
CR215-P	1.302	1.062	0.187	1.063
CR216-P	1.365	1.125	0.187	1.126
CR218-P	1.490	1.250	0.187	1.251
CR219-P	1.553	1.312	0.187	1.313
CR222-P	1.740	1.500	0.187	1.501
CR325-P	1.869	1.500	0.282	1.501
CR326-P	1.994	1.625	0.282	1.623
CR327-P	2.119	1.750	0.282	1.751
CR328-P	2.244	1.875	0.282	1.876
CR329-P	2.369	2.000	0.282	2.001
CR330-P	2.494	2.125	0.282	2.126
CR331-P	2.611	2.250	0.282	2.251
CR333-P	2.868	2.500	0.282	2.501
CR334-P	2.993	2.625	0.282	2.626
CR335-P	3.118	2.750	0.282	2.751
CR337-P	3.367	3.000	0.282	3.001
CR339-P	3.617	3.250	0.282	3.251
CR340-P	3.742	3.375	0.282	3.376
CR343-P	4.117	3.750	0.282	3.751
CR345-P	4.367	4.000	0.282	4.001
CR346-P	4.492	4.125	0.282	4.126
CR349-P	4.867	4.500	0.282	4.501
CR432-P	5.846	5.375	0.366	5.376
CR437-P	6.471	6.000	0.366	6.001

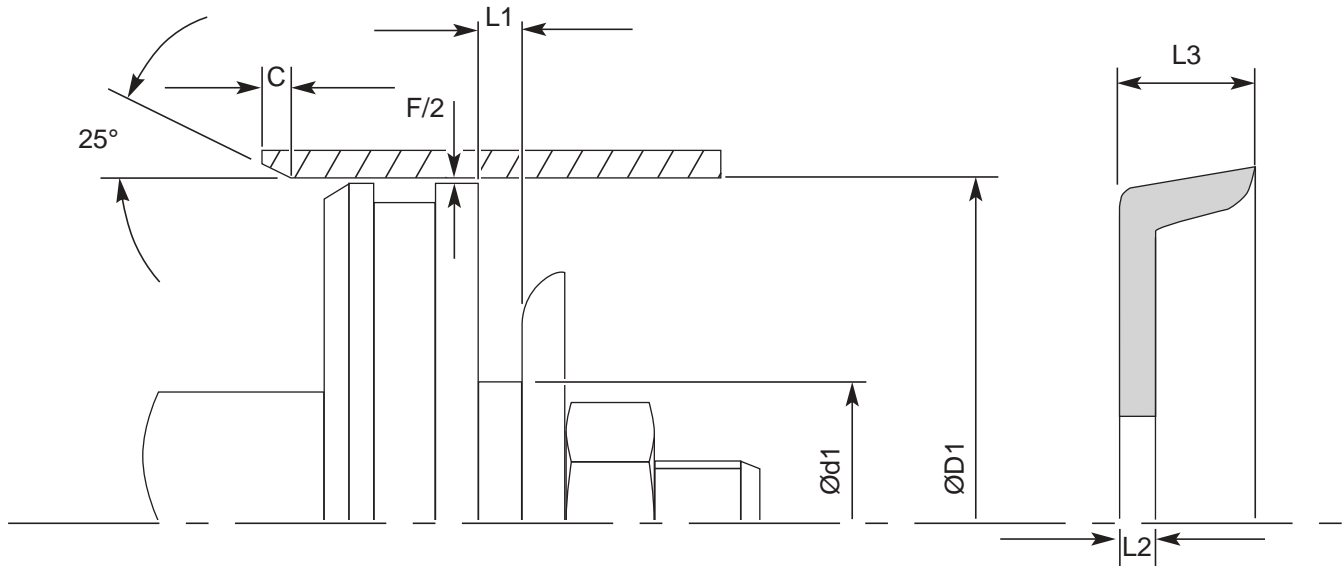
451 * Nominal Dimensions

Fluid Power

The Hydraulic Seal Specialists

SC

Imperial Single Acting Piston Cup Seal



Maximum Diametrical Clearance F				
Pressure	Bar	70	140	175
Maximum Gap	Inch	0.020	0.018	0.016

Tolerances		
ØD1	Ød1	L1
H11	+0.000" -0.005"	+0.000" -0.005"

Operating Conditions	
Max Speed	Temp Range
0.50 m/s	-30° to 100°C

SC is a single acting piston seal manufactured in fabric reinforced Nitrile. The SC is not recommended for new designs but is available for existing systems in the industry. There are two designs in existence, the flat based profile, (FPE part no. FB-F) and the not so common Round Based profile, (FPE part no. RB-F).

Fluid Power

The Hydraulic Seal Specialists



SC

Imperial Single Acting Piston Cup Seal

Part Number	*ØD1	*Ød1	L3	L2	*L1	min C
SC062000-031FB-F	0.625	0.000	0.312	0.093	0.085	0.187
SC062018-028FB-R	0.625	0.180	0.281	0.093	0.085	0.187
SC062025-028FB-F	0.625	0.250	0.281	0.093	0.085	0.187
SC075000-043FB-F	0.750	0.000	0.437	0.093	0.085	0.187
SC075037-022FB-F	0.750	0.375	0.219	0.102	0.094	0.187
SC078050-037RB-F	0.785	0.500	0.375	0.102	0.094	0.187
SC087000-043FB-F	0.875	0.000	0.437	0.093	0.085	0.187
SC087037-037FB-F	0.875	0.375	0.375	0.094	0.085	0.187
SC100025-025FB-F	1.000	0.250	0.250	0.093	0.085	0.187
SC100025-043FB-F	1.000	0.250	0.437	0.093	0.085	0.187
SC100025-050FB-F	1.000	0.250	0.500	0.125	0.115	0.187
SC100037-037FB-F	1.000	0.375	0.375	0.093	0.085	0.187
SC100037-043FB-F	1.000	0.375	0.437	0.093	0.085	0.187
SC100050-043FB-F	1.000	0.500	0.437	0.093	0.085	0.187
SC112000-043FB-F	1.125	0.000	0.437	0.093	0.085	0.187
SC112025-037FB-F	1.125	0.250	0.375	0.093	0.085	0.187
SC112025-068FB-F	1.125	0.250	0.687	0.102	0.094	0.187
SC118039-050RB-F	1.187	0.393	0.500	0.135	0.125	0.187
SC125000-043FB-F	1.250	0.000	0.437	0.093	0.085	0.187
SC125025-037FB-F	1.250	0.250	0.375	0.125	0.115	0.187
SC125037-043FB-F	1.250	0.375	0.437	0.093	0.085	0.187
SC125056-037FB-F	1.250	0.562	0.375	0.125	0.115	0.187
SC137000-043FB-F	1.375	0.000	0.437	0.093	0.085	0.187
SC137025-043FB-F	1.375	0.250	0.437	0.125	0.115	0.187
SC137056-043FB-F	1.375	0.562	0.437	0.125	0.115	0.187
SC137062-050FB-F	1.375	0.625	0.500	0.135	0.125	0.187
SC137068-043FB-F	1.375	0.687	0.437	0.125	0.115	0.187
SC146031-050FB-F	1.469	0.312	0.500	0.125	0.115	0.187
SC150000-050FB-F	1.500	0.000	0.500	0.125	0.115	0.187
SC150025-050FB-F	1.500	0.250	0.500	0.125	0.115	0.187
SC150037-050FB-F	1.500	0.375	0.500	0.125	0.115	0.187
SC150062-050FB-F	1.500	0.625	0.500	0.125	0.115	0.187
SC150087-050FB-F	1.500	0.875	0.500	0.125	0.115	0.187
SC156031-050FB-F	1.562	0.312	0.500	0.125	0.115	0.187
SC156050-050FB-F	1.562	0.500	0.500	0.125	0.115	0.187
SC162000-050FB-F	1.625	0.000	0.500	0.125	0.115	0.187
SC162037-050FB-F	1.625	0.375	0.500	0.125	0.115	0.187
SC162037-056FB-F	1.625	0.375	0.562	0.166	0.156	0.187
SC162040-053FB-F	1.625	0.405	0.531	0.156	0.140	0.187
SC162041-050FB-F	1.625	0.413	0.562	0.156	0.140	0.187

453 * Nominal Dimensions

Fluid Power

The Hydraulic Seal Specialists

SC

Imperial **S**ingle Acting Piston **C**up Seal

Part Number	*ØD1	*Ød1	L3	L2	*L1	C	min
SC162050-056FB-F	1.625	0.500	0.562	0.156	0.140	0.187	
SC162050-075FB-F	1.625	0.500	0.750	0.125	0.115	0.187	
SC162062-075FB-F	1.625	0.625	0.750	0.125	0.115	0.187	
SC168068-050FB-F	1.687	0.687	0.500	0.125	0.115	0.187	
SC175000-050FB-F	1.750	0.000	0.500	0.125	0.115	0.187	
SC175037-050FB-F	1.750	0.375	0.500	0.125	0.115	0.187	
SC175040-056FB-F	1.750	0.405	0.562	0.187	0.170	0.187	
SC175050-050FB-F	1.750	0.500	0.500	0.135	0.125	0.187	
SC175062-050FB-F	1.750	0.625	0.500	0.125	0.115	0.187	
SC175062-075FB-F	1.750	0.625	0.750	0.156	0.140	0.187	
SC175068-050FB-F	1.750	0.687	0.500	0.125	0.115	0.187	
SC175075-062RB-F	1.750	0.750	0.625	0.187	0.170	0.187	
SC175100-062FB-F	1.750	1.000	0.625	0.187	0.170	0.187	
SC178065-062FB-F	1.781	0.650	0.625	0.187	0.170	0.187	
SC187000-050FB-F	1.875	0.000	0.500	0.125	0.115	0.187	
SC187037-050FB-F	1.875	0.375	0.500	0.156	0.140	0.187	
SC187050-056FB-F	1.875	0.500	0.562	0.187	0.170	0.187	
SC187062-050FB-F	1.875	0.625	0.500	0.125	0.115	0.187	
SC187100-050FB-F	1.875	1.000	0.500	0.125	0.115	0.187	
SC200000-050FB-F	2.000	0.000	0.500	0.125	0.115	0.187	
SC200037-050FB-F	2.000	0.375	0.500	0.125	0.115	0.187	
SC200047-075FB-F	2.000	0.472	0.750	0.187	0.170	0.187	
SC200050-037FB-F	2.000	0.500	0.375	0.125	0.115	0.187	
SC200050-050FB-F	2.000	0.500	0.500	0.125	0.115	0.187	
SC200062-050FB-F	2.000	0.625	0.500	0.125	0.115	0.187	
SC200062-075FB-F	2.000	0.625	0.750	0.156	0.140	0.187	
SC200062-081FB-F	2.000	0.625	0.812	0.219	0.198	0.187	
SC200075-050FB-F	2.000	0.750	0.500	0.125	0.115	0.187	
SC200075-050RB-F	2.000	0.750	0.500	0.141	0.131	0.187	
SC200075-075RB-F	2.000	0.750	0.750	0.197	0.187	0.187	
SC200100-050FB-F	2.000	1.000	0.500	0.125	0.115	0.187	
SC200100-075FB-F	2.000	1.000	0.750	0.238	0.228	0.187	
SC200112-037FB-F	2.000	1.125	0.375	0.125	0.115	0.187	
SC200125-037FB-F	2.000	1.250	0.375	0.125	0.115	0.187	
SC200125-050RB-F	2.000	1.250	0.500	0.141	0.131	0.187	
SC212000-050FB-F	2.125	0.000	0.500	0.125	0.115	0.187	
SC212037-062FB-F	2.125	0.375	0.625	0.156	0.140	0.187	
SC212075-062FB-F	2.125	0.750	0.625	0.187	0.170	0.187	
SC225000-050FB-F	2.250	0.000	0.500	0.125	0.115	0.187	
SC225025-075FB-F	2.250	0.250	0.750	0.250	0.225	0.218	

* Nominal Dimensions

Fluid Power

The Hydraulic Seal Specialists



SC

Imperial Single Acting Piston Cup Seal

Part Number	*ØD1	*Ød1	L3	L2	*L1	C	min
SC225062-075FB-F	2.250	0.625	0.750	0.187	0.170	0.218	
SC225075-050FB-F	2.250	0.750	0.500	0.187	0.170	0.218	
SC225075-062RB-F	2.250	0.750	0.625	0.187	0.170	0.218	
SC225075-075FB-F	2.250	0.750	0.750	0.187	0.170	0.218	
SC225100-050FB-F	2.250	1.000	0.500	0.187	0.170	0.218	
SC225100-075FB-F	2.250	1.000	0.750	0.187	0.170	0.218	
SC225112-075FB-F	2.250	1.125	0.750	0.187	0.170	0.218	
SC225125-050FB-F	2.250	1.250	0.500	0.156	0.140	0.218	
SC225131-062FB-F	2.250	1.312	0.625	0.156	0.140	0.218	
SC237000-050FB-F	2.375	0.000	0.500	0.125	0.115	0.218	
SC237050-050FB-F	2.375	0.500	0.500	0.125	0.115	0.218	
SC237050-075FB-F	2.375	0.500	0.750	0.187	0.170	0.218	
SC237068-075FB-F	2.375	0.687	0.750	0.187	0.170	0.218	
SC237075-075FB-F	2.375	0.750	0.750	0.187	0.170	0.218	
SC237087-075FB-F	2.375	0.875	0.750	0.187	0.170	0.218	
SC237100-050FB-F	2.375	1.000	0.500	0.125	0.115	0.218	
SC237125-075FB-F	2.375	1.250	0.750	0.187	0.170	0.218	
SC250000-050FB-F	2.500	0.000	0.500	0.125	0.115	0.218	
SC250037-050FB-F	2.500	0.375	0.500	0.125	0.115	0.218	
SC250050-050FB-F	2.500	0.500	0.500	0.156	0.140	0.218	
SC250050-062FB-F	2.500	0.500	0.625	0.156	0.140	0.218	
SC250062-050FB-F	2.500	0.625	0.500	0.125	0.115	0.218	
SC250062-075FB-F	2.500	0.625	0.750	0.187	0.170	0.218	
SC250075-050FB-F	2.500	0.750	0.500	0.125	0.115	0.218	
SC250075-087FB-F	2.500	0.750	0.875	0.250	0.225	0.218	
SC250100-050FB-F	2.500	1.000	0.500	0.125	0.115	0.218	
SC250100-050RB-F	2.500	1.000	0.500	0.156	0.140	0.218	
SC250100-075FB-F	2.500	1.000	0.750	0.236	0.226	0.218	
SC250112-087FB-F	2.500	1.125	0.875	0.250	0.225	0.218	
SC250125-050FB-F	2.500	1.250	0.500	0.125	0.115	0.218	
SC250125-062FB-F	2.500	1.250	0.625	0.156	0.140	0.218	
SC250137-050FB-F	2.500	1.375	0.500	0.125	0.115	0.218	
SC250150-062FB-F	2.500	1.500	0.625	0.156	0.140	0.218	
SC262000-050FB-F	2.625	0.000	0.500	0.125	0.115	0.218	
SC262025-075FB-F	2.625	0.250	0.750	0.187	0.170	0.218	
SC262050-062RB-F	2.625	0.500	0.625	0.187	0.156	0.218	
SC262050-075FB-F	2.625	0.500	0.750	0.187	0.170	0.218	
SC262075-075FB-F	2.625	0.750	0.750	0.187	0.170	0.218	
SC262086-075FB-F	2.625	0.866	0.750	0.187	0.170	0.218	
SC262087-081FB-F	2.625	0.875	0.812	0.219	0.198	0.218	

455 * Nominal Dimensions

Fluid Power

The Hydraulic Seal Specialists

SC

Imperial Single Acting Piston Cup Seal



Part Number	*ØD1	*Ød1	L3	L2	*L1	C	min
SC262100-100FB-F	2.625	1.000	1.000	0.238	0.228	0.218	
SC262150-075FB-F	2.625	1.500	0.750	0.187	0.170	0.218	
SC264087-075FB-F	2.645	0.875	0.750	0.187	0.170	0.218	
SC275000-050FB-F	2.750	0.000	0.500	0.125	0.115	0.218	
SC275050-075FB-F	2.750	0.500	0.750	0.187	0.170	0.218	
SC275050-075RB-F	2.750	0.500	0.750	0.219	0.187	0.218	
SC275059-062FB-F	2.750	0.593	0.625	0.125	0.115	0.218	
SC275062-062FB-F	2.750	0.625	0.625	0.187	0.170	0.218	
SC275062-075FB-F	2.750	0.625	0.750	0.187	0.170	0.218	
SC275068-062FB-F	2.750	0.687	0.625	0.187	0.170	0.218	
SC275070-075FB-F	2.750	0.703	0.750	0.187	0.170	0.218	
SC275075-050FB-F	2.750	0.750	0.500	0.125	0.115	0.218	
SC275075-075FB-F	2.750	0.750	0.750	0.187	0.170	0.218	
SC275087-075FB-F	2.750	0.875	0.750	0.187	0.170	0.218	
SC275100-050FB-F	2.750	1.000	0.500	0.125	0.115	0.218	
SC275100-062FB-F	2.750	1.000	0.625	0.187	0.170	0.218	
SC275149-075RB-F	2.750	1.495	0.750	0.219	0.187	0.218	
SC275150-050FB-F	2.750	1.500	0.500	0.125	0.115	0.218	
SC285070-086FB-F	2.859	0.703	0.866	0.187	0.170	0.218	
SC285070-100FB-F	2.859	0.703	1.000	0.187	0.170	0.218	
SC287000-050FB-F	2.875	0.000	0.500	0.125	0.115	0.218	
SC287050-075FB-F	2.875	0.500	0.750	0.187	0.170	0.218	
SC287075-075FB-F	2.875	0.750	0.750	0.197	0.187	0.218	
SC287100-062FB-F	2.875	1.000	0.625	0.187	0.170	0.218	
SC287100-068FB-F	2.875	1.000	0.687	0.187	0.170	0.218	
SC287100-075FB-F	2.875	1.000	0.750	0.187	0.170	0.218	
SC287100-087FB-F	2.875	1.000	0.875	0.187	0.170	0.218	
SC287200-075FB-F	2.875	2.000	0.750	0.187	0.170	0.218	
SC291100-062FB-F	2.915	1.000	0.625	0.187	0.170	0.218	
SC300000-062FB-F	3.000	0.000	0.625	0.156	0.140	0.218	
SC300000-075FB-F	3.000	0.000	0.750	0.219	0.198	0.218	
SC300050-062FB-F	3.000	0.500	0.625	0.156	0.140	0.218	
SC300075-062FB-F	3.000	0.750	0.625	0.156	0.140	0.218	
SC300075-075FB-F	3.000	0.750	0.750	0.219	0.198	0.218	
SC300081-075FB-F	3.000	0.812	0.750	0.219	0.198	0.218	
SC300100-062FB-F	3.000	1.000	0.625	0.156	0.140	0.218	
SC300100-075FB-F	3.000	1.000	0.750	0.187	0.170	0.218	
SC300125-062FB-F	3.000	1.250	0.625	0.156	0.140	0.218	
SC300125-075FB-F	3.000	1.250	0.750	0.219	0.198	0.218	
SC300137-062FB-F	3.000	1.375	0.625	0.156	0.140	0.218	

* Nominal Dimensions

Fluid Power

The Hydraulic Seal Specialists



SC

Imperial Single Acting Piston Cup Seal

Part Number	*ØD1	*Ød1	L3	L2	*L1	C	min
SC300150-062FB-F	3.000	1.500	0.625	0.156	0.140	0.218	
SC300150-081FB-F	3.000	1.500	0.812	0.156	0.140	0.218	
SC300162-062FB-F	3.000	1.625	0.625	0.156	0.140	0.218	
SC300175-062FB-F	3.000	1.750	0.625	0.156	0.140	0.218	
SC300187-062FB-F	3.000	1.875	0.625	0.156	0.140	0.218	
SC312050-075FB-F	3.125	0.500	0.750	0.187	0.170	0.250	
SC312087-075FB-F	3.125	0.875	0.750	0.187	0.170	0.250	
SC312100-062FB-F	3.125	1.000	0.625	0.156	0.140	0.250	
SC312150-075FB-F	3.125	1.500	0.750	0.250	0.225	0.250	
SC312150-087FB-F	3.125	1.500	0.875	0.250	0.225	0.250	
SC325000-062FB-F	3.250	0.000	0.625	0.156	0.140	0.250	
SC325000-075FB-F	3.250	0.000	0.750	0.187	0.170	0.250	
SC325037-062FB-F	3.250	0.375	0.625	0.156	0.140	0.250	
SC325050-062FB-F	3.250	0.500	0.625	0.156	0.140	0.250	
SC325050-075FB-F	3.250	0.500	0.750	0.187	0.170	0.250	
SC325062-075FB-F	3.250	0.625	0.750	0.250	0.225	0.250	
SC325068-062FB-F	3.250	0.687	0.625	0.219	0.198	0.250	
SC325075-075FB-F	3.250	0.750	0.750	0.187	0.170	0.250	
SC325086-075FB-F	3.250	0.866	0.750	0.187	0.170	0.250	
SC325100-062FB-F	3.250	1.000	0.625	0.156	0.140	0.250	
SC325100-067FB-F	3.250	1.000	0.672	0.219	0.198	0.250	
SC325100-075FB-F	3.250	1.000	0.750	0.219	0.198	0.250	
SC325100-081FB-F	3.250	1.000	0.812	0.219	0.198	0.250	
SC325100-087FB-F	3.250	1.000	0.875	0.219	0.198	0.250	
SC325100-100FB-F	3.250	1.000	1.000	0.250	0.225	0.250	
SC325125-075FB-F	3.250	1.250	0.750	0.250	0.225	0.250	
SC325125-081FB-F	3.250	1.250	0.812	0.250	0.225	0.250	
SC325200-075FB-F	3.250	2.000	0.750	0.187	0.170	0.250	
SC328100-075FB-F	3.280	1.000	0.750	0.187	0.170	0.250	
SC337037-062FB-F	3.375	0.375	0.625	0.156	0.140	0.250	
SC337100-087FB-F	3.375	1.000	0.875	0.250	0.225	0.250	
SC350000-062FB-F	3.500	0.000	0.625	0.156	0.140	0.250	
SC350025-062FB-F	3.500	0.250	0.625	0.156	0.140	0.250	
SC350039-075FB-F	3.500	0.391	0.750	0.187	0.170	0.250	
SC350050-062FB-F	3.500	0.500	0.625	0.156	0.140	0.250	
SC350050-075FB-F	3.500	0.500	0.750	0.187	0.170	0.250	
SC350050-087FB-F	3.500	0.500	0.875	0.250	0.225	0.250	
SC350075-075FB-F	3.500	0.750	0.750	0.187	0.170	0.250	
SC350100-062FB-F	3.500	1.000	0.625	0.156	0.140	0.250	
SC350100-075FB-F	3.500	1.000	0.750	0.250	0.225	0.250	

457 * Nominal Dimensions

Fluid Power

The Hydraulic Seal Specialists

SC

Imperial Single Acting Piston Cup Seal



Part Number	*ØD1	*Ød1	L3	L2	*L1	C	min
SC350100-087FB-F	3.500	1.000	0.875	0.250	0.225	0.250	
SC350125-062FB-F	3.500	1.250	0.625	0.156	0.140	0.250	
SC350150-062FB-F	3.500	1.500	0.625	0.156	0.140	0.250	
SC350187-062FB-F	3.500	1.875	0.625	0.156	0.140	0.250	
SC350200-062FB-F	3.500	2.000	0.625	0.156	0.140	0.250	
SC350212-075FB-F	3.500	2.125	0.750	0.187	0.170	0.250	
SC350237-062FB-F	3.500	2.375	0.625	0.156	0.140	0.250	
SC362000-062FB-F	3.625	0.000	0.625	0.156	0.140	0.250	
SC362062-068FB-F	3.625	0.625	0.687	0.187	0.170	0.250	
SC362081-075FB-F	3.625	0.812	0.750	0.219	0.198	0.250	
SC362100-062FB-F	3.625	1.000	0.625	0.187	0.170	0.250	
SC362125-075FB-F	3.625	1.250	0.750	0.219	0.198	0.250	
SC362175-075FB-F	3.625	1.750	0.750	0.219	0.198	0.250	
SC362237-068FB-F	3.625	2.375	0.687	0.187	0.170	0.250	
SC362256-050FB-F	3.625	2.562	0.500	0.187	0.170	0.250	
SC375000-062FB-F	3.750	0.000	0.625	0.156	0.140	0.250	
SC375000-075FB-F	3.750	0.000	0.750	0.187	0.170	0.250	
SC375050-062FB-F	3.750	0.500	0.625	0.156	0.140	0.250	
SC375050-075FB-F	3.750	0.500	0.750	0.187	0.170	0.250	
SC375062-062FB-F	3.750	0.625	0.625	0.187	0.170	0.250	
SC375062-075FB-F	3.750	0.625	0.750	0.250	0.225	0.250	
SC375068-062FB-F	3.750	0.687	0.625	0.219	0.198	0.250	
SC375075-062FB-F	3.750	0.750	0.625	0.156	0.140	0.250	
SC375075-075FB-F	3.750	0.750	0.750	0.187	0.170	0.250	
SC375150-087FB-F	3.750	1.500	0.875	0.250	0.225	0.250	
SC375175-087FB-F	3.750	1.750	0.875	0.187	0.170	0.250	
SC387000-062FB-F	3.875	0.000	0.625	0.156	0.140	0.250	
SC387075-050FB-F	3.875	0.750	0.500	0.150	0.135	0.250	
SC387075-075FB-F	3.875	0.750	0.750	0.187	0.170	0.250	
SC387086-075FB-F	3.875	0.866	0.750	0.187	0.170	0.250	
SC387100-100FB-F	3.875	1.000	1.000	0.219	0.187	0.250	
SC387106-081FB-F	3.875	1.062	0.812	0.219	0.187	0.250	
SC387112-081FB-F	3.875	1.125	0.812	0.219	0.198	0.250	
SC387112-100RB-F	3.875	1.125	1.000	0.219	0.198	0.250	
SC387125-100FB-F	3.875	1.250	1.000	0.250	0.228	0.250	
SC400000-062FB-F	4.000	0.000	0.625	0.156	0.140	0.250	
SC400050-062FB-F	4.000	0.500	0.625	0.156	0.140	0.250	
SC400050-075FB-F	4.000	0.500	0.750	0.187	0.170	0.250	
SC400062-062FB-F	4.000	0.625	0.625	0.187	0.170	0.250	
SC400075-075FB-F	4.000	0.750	0.750	0.187	0.170	0.250	

* Nominal Dimensions

Fluid Power

The Hydraulic Seal Specialists



SC

Imperial Single Acting Piston Cup Seal

Part Number	*ØD1	*Ød1	L3	L2	*L1	C	min
SC400087-075FB-F	4.000	0.875	0.750	0.187	0.170	0.250	0.250
SC400100-075RB-F	4.000	1.000	0.750	0.187	0.170	0.250	0.250
SC400150-062FB-F	4.000	1.500	0.625	0.156	0.140	0.250	0.250
SC400162-062FB-F	4.000	1.625	0.625	0.156	0.140	0.250	0.250
SC400175-062FB-F	4.000	1.750	0.625	0.156	0.140	0.250	0.250
SC400187-062FB-F	4.000	1.875	0.625	0.156	0.140	0.250	0.250
SC400200-062FB-F	4.000	2.000	0.625	0.156	0.140	0.250	0.250
SC400225-062FB-F	4.000	2.250	0.625	0.156	0.140	0.250	0.250
SC400250-062FB-F	4.000	2.500	0.625	0.156	0.140	0.250	0.250
SC400250-075FB-F	4.000	2.500	0.750	0.187	0.170	0.250	0.250
SC412075-075FB-F	4.125	0.750	0.750	0.225	0.187	0.250	0.250
SC412100-087FB-F	4.125	1.000	0.875	0.250	0.225	0.250	0.250
SC425000-062FB-F	4.250	0.000	0.625	0.156	0.140	0.250	0.250
SC425068-075FB-F	4.250	0.687	0.750	0.187	0.170	0.250	0.250
SC425075-075FB-F	4.250	0.750	0.750	0.187	0.170	0.250	0.250
SC425100-075FB-F	4.250	1.000	0.750	0.250	0.225	0.250	0.250
SC425100-087FB-F	4.250	1.000	0.875	0.250	0.225	0.250	0.250
SC425137-062FB-F	4.250	1.375	0.625	0.156	0.140	0.250	0.250
SC425250-062FB-F	4.250	2.500	0.625	0.125	0.115	0.250	0.250
SC437000-075FB-F	4.375	0.000	0.750	0.187	0.170	0.250	0.250
SC450000-062FB-F	4.500	0.000	0.625	0.156	0.140	0.250	0.250
SC450000-075FB-F	4.500	0.000	0.750	0.187	0.170	0.250	0.250
SC450050-075FB-F	4.500	0.500	0.750	0.187	0.170	0.250	0.250
SC450075-062FB-F	4.500	0.750	0.625	0.156	0.140	0.250	0.250
SC450150-087FB-F	4.500	1.500	0.875	0.250	0.225	0.250	0.250
SC450187-062FB-F	4.500	1.875	0.625	0.156	0.140	0.250	0.250
SC450225-062FB-F	4.500	2.250	0.625	0.156	0.140	0.250	0.250
SC450250-062FB-F	4.500	2.500	0.625	0.156	0.140	0.250	0.250
SC462050-087FB-F	4.625	0.500	0.875	0.250	0.225	0.250	0.250
SC462225-087FB-F	4.625	2.250	0.875	0.250	0.225	0.250	0.250
SC475000-062FB-F	4.750	0.000	0.625	0.156	0.140	0.250	0.250
SC475050-062FB-F	4.750	0.500	0.625	0.156	0.140	0.250	0.250
SC475086-100FB-F	4.750	0.866	1.000	0.250	0.225	0.250	0.250
SC475125-081FB-F	4.750	1.250	0.812	0.219	0.198	0.250	0.250
SC475125-087FB-F	4.750	1.250	0.875	0.250	0.225	0.250	0.250
SC475125-100FB-F	4.750	1.250	1.000	0.250	0.228	0.250	0.250
SC475125-100RB-F	4.750	1.250	1.000	0.219	0.198	0.250	0.250
SC487300-075FB-F	4.875	3.000	0.750	0.196	0.180	0.250	0.250
SC500000-075FB-F	5.000	0.000	0.750	0.187	0.170	0.250	0.250
SC500050-075FB-F	5.000	0.500	0.750	0.187	0.170	0.250	0.250

459 * Nominal Dimensions

Fluid **Power**

The Hydraulic Seal Specialists

SCImperial **S**ingle Acting Piston **C**up Seal

Part Number	*ØD1	*Ød1	L3	L2	*L1	C	min
SC500087-100FB-F	5.000	0.875	1.000	0.250	0.225	0.250	0.250
SC500100-075FB-F	5.000	1.000	0.750	0.219	0.198	0.250	0.250
SC500100-087FB-F	5.000	1.000	0.875	0.250	0.225	0.250	0.250
SC500125-075FB-F	5.000	1.250	0.750	0.187	0.170	0.250	0.250
SC500150-075FB-F	5.000	1.500	0.750	0.250	0.225	0.250	0.250
SC500175-075FB-F	5.000	1.750	0.750	0.187	0.170	0.250	0.250
SC500250-075FB-F	5.000	2.500	0.750	0.187	0.170	0.250	0.250
SC500350-075FB-F	5.000	3.500	0.750	0.187	0.170	0.250	0.250
SC525000-075FB-F	5.250	0.000	0.750	0.187	0.170	0.250	0.250
SC525050-075FB-F	5.250	0.500	0.750	0.187	0.170	0.250	0.250
SC525075-050FB-F	5.250	0.750	0.500	0.187	0.170	0.250	0.250
SC525375-050FB-F	5.250	3.750	0.500	0.187	0.170	0.250	0.250
SC550000-075FB-F	5.500	0.000	0.750	0.187	0.170	0.250	0.250
SC550050-075FB-F	5.500	0.500	0.750	0.187	0.170	0.250	0.250
SC550075-075FB-F	5.500	0.750	0.750	0.187	0.170	0.250	0.250
SC550075-075RB-F	5.500	0.750	0.750	0.187	0.170	0.250	0.250
SC550125-075FB-F	5.500	1.250	0.750	0.187	0.170	0.250	0.250
SC550150-087FB-F	5.500	1.500	0.875	0.250	0.225	0.250	0.250
SC550200-075FB-F	5.500	2.000	0.750	0.187	0.170	0.250	0.250
SC575000-075FB-F	5.750	0.000	0.750	0.187	0.170	0.250	0.250
SC575050-075FB-F	5.750	0.500	0.750	0.187	0.170	0.250	0.250
SC575150-075FB-F	5.750	1.500	0.750	0.275	0.250	0.250	0.250
SC575150-081FB-F	5.750	1.500	0.812	0.219	0.198	0.250	0.250
SC575225-081FB-F	5.750	2.250	0.812	0.219	0.198	0.250	0.250
SC600000-075FB-F	6.000	0.000	0.750	0.187	0.170	0.250	0.250
SC600050-075FB-F	6.000	0.500	0.750	0.187	0.170	0.250	0.250
SC600087-100FB-F	6.000	0.875	1.000	0.250	0.225	0.250	0.250
SC600100-087FB-F	6.000	1.000	0.875	0.250	0.225	0.250	0.250
SC600150-075FB-F	6.000	1.500	0.750	0.250	0.225	0.250	0.250
SC600200-075FB-F	6.000	2.000	0.750	0.187	0.170	0.250	0.250
SC600250-075FB-F	6.000	2.500	0.750	0.187	0.170	0.250	0.250
SC600350-075FB-F	6.000	3.500	0.750	0.187	0.170	0.250	0.250
SC600350-087FB-F	6.000	3.500	0.875	0.250	0.225	0.250	0.250
SC612100-087FB-F	6.125	1.000	0.875	0.250	0.225	0.250	0.250
SC625375-075FB-F	6.250	3.750	0.750	0.187	0.170	0.250	0.250
SC650000-075FB-F	6.500	0.000	0.750	0.187	0.170	0.250	0.250
SC650075-100FB-F	6.500	0.750	1.000	0.250	0.225	0.250	0.250
SC650150-087FB-F	6.500	1.500	0.875	0.250	0.225	0.250	0.250
SC650150-100FB-F	6.500	1.500	1.000	0.250	0.225	0.250	0.250
SC650400-100FB-F	6.500	4.000	1.000	0.250	0.225	0.250	0.250

* Nominal Dimensions

Fluid Power

The Hydraulic Seal Specialists



SC

Imperial Single Acting Piston Cup Seal

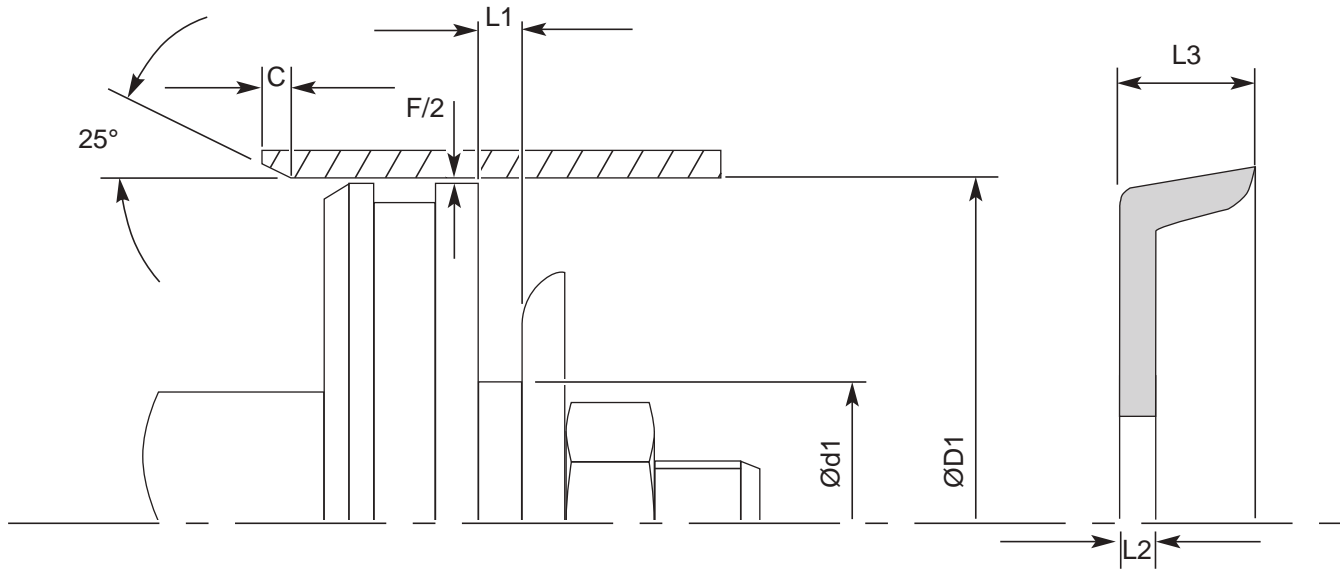
Part Number	*ØD1	*Ød1	L3	L2	*L1	min C
SC650450-100FB-F	6.500	4.500	1.000	0.250	0.225	0.250
SC675000-075FB-F	6.750	0.000	0.750	0.187	0.170	0.250
SC700000-075FB-F	7.000	0.000	0.750	0.187	0.170	0.250
SC700086-100FB-F	7.000	0.866	1.000	0.250	0.225	0.250
SC700100-087RB-F	7.000	1.000	0.875	0.219	0.198	0.250
SC700125-075FB-F	7.000	1.250	0.750	0.187	0.170	0.250
SC700137-087FB-F	7.000	1.375	0.875	0.250	0.225	0.250
SC700200-075FB-F	7.000	2.000	0.750	0.187	0.170	0.250
SC700250-100RB-F	7.000	2.500	1.000	0.250	0.225	0.250
SC700275-100FB-F	7.000	2.750	1.000	0.219	0.198	0.250
SC700400-075FB-F	7.000	4.000	0.750	0.187	0.170	0.250
SC750150-087FB-F	7.500	1.500	0.875	0.250	0.225	0.250
SC800000-100FB-F	8.000	0.000	1.000	0.187	0.170	0.250
SC800100-087FB-F	8.000	1.000	0.875	0.250	0.225	0.250
SC800100-100FB-F	8.000	1.000	1.000	0.187	0.170	0.250
SC800125-100FB-F	8.000	1.250	1.000	0.187	0.170	0.250
SC800150-087FB-F	8.000	1.500	0.875	0.250	0.225	0.250
SC825150-109FB-F	8.250	1.500	1.093	0.312	0.300	0.250
SC825250-100RB-F	8.250	2.500	1.000	0.250	0.225	0.250
SC825275-100FB-F	8.250	2.750	1.000	0.250	0.225	0.250
SC825275-100RB-F	8.250	2.750	1.000	0.250	0.225	0.250
SC825275-109FB-F	8.250	2.750	1.093	0.312	0.300	0.250
SC850075-100FB-F	8.500	0.750	1.000	0.187	0.170	0.250
SC900000-100FB-F	9.000	0.000	1.000	0.187	0.170	0.250
SC900500-062FB-F	9.000	5.000	0.625	0.196	0.180	0.250
SC1000100-100FB-F	10.000	1.000	1.000	0.187	0.170	0.250
SC1000600-100RB-F	10.000	6.000	1.000	0.275	0.250	0.250
SC1200000-100FB-F	12.000	0.000	1.000	0.187	0.170	0.250
SC14001050-093FB-F	14.000	10.500	0.937	0.250	0.225	0.250
SC18001400-125FB-F	18.000	14.000	1.250	0.250	0.225	0.250
SC22001751-100FB-F	22.000	17.510	1.000	0.250	0.225	0.250

Fluid Power

The Hydraulic Seal Specialists

SC

Metric Single Acting Piston Cup Seal



Maximum Diametrical Clearance F

Pressure	Bar	70	140	175
Maximum Gap	Inch	0.50	0.45	0.40

Tolerances

ØD1	Ød1	L1
H11	+0.00 -0.12	+0.00 -0.12

Operating Conditions

Max Speed	Temp Range
0.50 m/s	-30° to 100°C

SC is a single acting piston seal manufactured in fabric reinforced Nitrile. The SC is not recommended for new designs but is available for existing systems in the industry. There are two designs in existence, the flat based profile, (FPE part no. FB-F) and the not so common Round Based profile, (FPE part no. RB-F).

Fluid Power

The Hydraulic Seal Specialists



SC

Metric Single Acting Piston Cup Seal

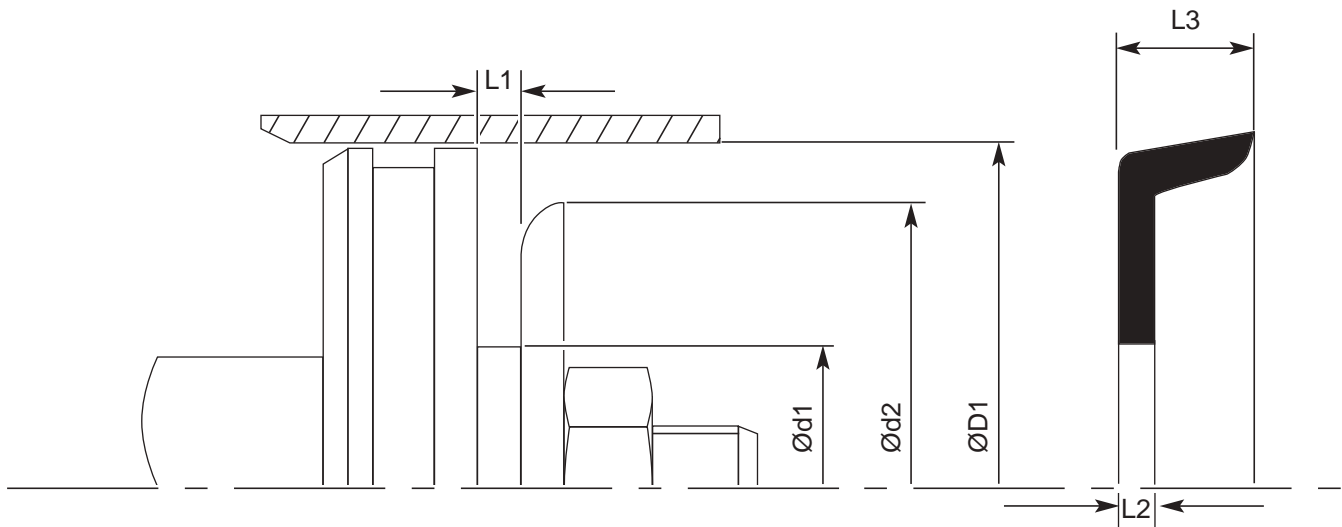
Part Number	*ØD1	*Ød1	L3	L2	*L1	min
						C
SC40-13-16RB-F	40.00	13.00	16.00	4.40	4.00	5.00
SC40-28-14RB-F	40.00	28.00	14.00	3.00	2.70	5.00
SC50-13-19FB-F	50.00	13.00	19.00	4.71	4.30	5.50
SC53-18-22FB-F	53.00	18.00	22.00	5.40	5.00	5.50
SC60-32-20FB-F	60.00	32.00	20.00	4.76	4.36	5.50
SC65-13-19FB-F	65.00	13.00	19.00	4.70	4.30	5.50
SC65-18-18FB-F	65.00	18.00	18.00	5.00	4.60	5.50
SC66-18-22FB-F	66.00	18.00	22.00	5.40	5.00	5.50
SC72-18-22FB-F	72.00	18.00	22.00	5.40	5.00	5.50
SC76-17-20FB-F	76.00	17.00	20.00	4.00	3.60	5.50
SC76-38-20FB-F	76.00	38.00	20.00	4.76	4.36	5.50
SC86-17-20FB-F	86.00	17.00	20.00	4.76	4.36	5.50
SC90-25.4-19FB-F	90.00	25.40	19.05	4.74	4.31	6.35
SC95-17-20FB-F	95.00	17.00	20.00	4.00	3.60	6.00
SC100-70-12.7FB-F	100.00	70.00	12.70	4.75	4.35	5.50
SC102-15-18FB-F	102.00	15.00	18.00	6.50	6.00	6.00
SC165-0-22FB-F	165.00	0.00	22.00	6.50	6.00	6.00
SC223-0-22FB-F	223.00	0.00	22.00	6.50	6.00	8.00

Fluid Power

The Hydraulic Seal Specialists

SC

Imperial **S**ingle Acting Piston **C**up Seal



Operating Conditions

Max Speed	Temp Range
0.50 m/s	-30° to 110°C

SC is a single acting piston seal manufactured in Nitrile. The SC is not recommended for new designs but is available for existing systems in the industry.

There are two designs in existence, the flat based profile, (FPE part no. FB-R) and the Round Based profile, (FPE part no. RB-R).

Not all the tolerances, dimensions and pressure ratings are known for this range. For further information please contact the FPE Sales team.

Fluid Power

The Hydraulic Seal Specialists



SC

Imperial Single Acting Piston Cup Seal

Part Number	*ØD1	*Ød1	L3	L2	*L1	*Ød2
SC025006-012FB-R	0.250	0.062	0.125	0.062	0.050	0.141
SC025006-012RB-R	0.250	0.062	0.125	0.062	0.050	0.141
SC031012-012FB-R	0.312	0.125	0.125	0.062	0.050	0.203
SC031012-012RB-R	0.312	0.125	0.125	0.062	0.050	0.203
SC037000-018RB-R	0.375	0.000	0.187	0.062	0.050	-
SC037018-012FB-R	0.375	0.187	0.125	0.062	0.050	0.266
SC037018-012RB-R	0.375	0.187	0.125	0.062	0.050	0.266
SC043015-025FB-R	0.437	0.156	0.250	0.094	0.080	0.266
SC043015-025RB-R	0.437	0.156	0.250	0.094	0.080	0.266
SC050000-037RB-R	0.500	0.000	0.375	0.062	0.080	-
SC050025-018FB-R	0.500	0.250	0.187	0.094	0.080	0.328
SC050025-018RB-R	0.500	0.250	0.187	0.094	0.080	0.328
SC056018-018FB-R	0.562	0.187	0.187	0.047	0.037	0.422
SC056018-018RB-R	0.562	0.187	0.187	0.047	0.037	0.422
SC062000-031FB-R	0.625	0.000	0.305	0.115	0.080	-
SC062021-025RB-R	0.625	0.218	0.250	0.094	0.080	0.437
SC068025-025FB-R	0.687	0.250	0.250	0.094	0.080	0.500
SC068025-025RB-R	0.687	0.250	0.250	0.094	0.080	0.500
SC075000-025FB-R	0.750	0.000	0.250	0.094	0.080	-
SC075000-031RB-R	0.750	0.000	0.312	0.094	0.080	-
SC075025-018FB-R	0.750	0.250	0.187	0.094	0.080	0.547
SC075025-018RB-R	0.750	0.250	0.187	0.094	0.080	0.547
SC075037-018RB-R	0.750	0.375	0.187	0.078	0.064	-
SC081031-025FB-R	0.812	0.312	0.250	0.094	0.080	0.625
SC081031-025RB-R	0.812	0.312	0.250	0.094	0.080	0.625
SC087037-037RB-R	0.875	0.375	0.375	0.125	0.110	-
SC087043-025FB-R	0.875	0.437	0.250	0.125	0.110	0.703
SC087043-025RB-R	0.875	0.437	0.250	0.125	0.110	0.703
SC087050-018RB-R	0.875	0.500	0.187	0.062	0.050	-
SC093043-025FB-R	0.937	0.437	0.250	0.125	0.110	0.672
SC093043-025RB-R	0.937	0.437	0.250	0.125	0.110	0.672
SC100000-043FB-R	1.000	0.000	0.437	0.093	0.080	-
SC100000-043RB-R	1.000	0.000	0.437	0.093	0.080	-
SC100037-037RB-R	1.000	0.375	0.375	0.125	0.110	-
SC100037-050RB-R	1.000	0.375	0.500	0.187	0.170	-
SC100043-025FB-R	1.000	0.437	0.250	0.094	0.080	0.750
SC100043-025RB-R	1.000	0.437	0.250	0.094	0.080	0.750
SC100050-020RB-R	1.000	0.500	0.200	0.062	0.050	-
SC100050-036FB-R	1.000	0.500	0.360	0.109	0.094	-
SC100053-037FB-R	1.000	0.533	0.375	0.125	0.110	-

465 * Nominal Dimensions

Fluid Power

The Hydraulic Seal Specialists

SC

Imperial Single Acting Piston Cup Seal



Part Number	*ØD1	*Ød1	L3	L2	*L1	*Ød2
SC100056-020RB-R	1.000	0.562	0.200	0.062	0.050	-
SC106025-025FB-R	1.062	0.250	0.250	0.094	0.080	0.750
SC106025-025RB-R	1.062	0.250	0.250	0.094	0.080	0.750
SC112025-068RB-R	1.125	0.250	0.687	0.093	0.080	-
SC112068-025FB-R	1.125	0.687	0.250	0.094	0.080	0.937
SC112068-025RB-R	1.125	0.687	0.250	0.094	0.080	0.937
SC118043-031FB-R	1.187	0.437	0.312	0.094	0.080	0.812
SC118043-031RB-R	1.187	0.437	0.312	0.094	0.080	0.812
SC118081-018RB-R	1.187	0.812	0.187	0.062	0.050	-
SC125000-043FB-R	1.250	0.000	0.437	0.125	0.110	-
SC125000-043RB-R	1.250	0.000	0.437	0.125	0.110	-
SC125000-050FB-R	1.250	0.000	0.500	0.125	0.110	-
SC125037-037RB-R	1.250	0.375	0.375	0.125	0.110	-
SC125037-050RB-R	1.250	0.375	0.500	0.187	0.170	-
SC125043-025FB-R	1.250	0.437	0.250	0.094	0.080	0.906
SC125043-025RB-R	1.250	0.437	0.250	0.094	0.080	0.906
SC125062-025RB-R	1.250	0.625	0.250	0.094	0.080	-
SC125062-037RB-R	1.250	0.625	0.375	0.094	0.080	-
SC131062-025FB-R	1.312	0.625	0.250	0.094	0.080	1.062
SC131062-025RB-R	1.312	0.625	0.250	0.094	0.080	1.062
SC137000-043RB-R	1.375	0.000	0.437	0.093	0.080	-
SC137000-050FB-R	1.375	0.000	0.500	0.125	0.110	-
SC137037-025FB-R	1.375	0.375	0.250	0.125	0.110	1.000
SC137037-025RB-R	1.375	0.375	0.250	0.125	0.110	1.000
SC137037-050RB-R	1.375	0.375	0.500	0.125	0.110	-
SC143037-037FB-R	1.437	0.375	0.375	0.125	0.110	1.062
SC143037-037RB-R	1.437	0.375	0.375	0.125	0.110	1.062
SC143062-043FB-R	1.437	0.625	0.437	0.125	0.110	-
SC150000-037RB-R	1.500	0.000	0.375	0.149	0.135	-
SC150000-050FB-R	1.500	0.000	0.500	0.125	0.110	-
SC150000-050RB-R	1.500	0.000	0.500	0.131	0.116	-
SC150018-050FB-R	1.500	0.187	0.500	0.125	0.110	-
SC150037-050RB-R	1.500	0.375	0.500	0.125	0.110	-
SC150043-034RB-R	1.500	0.437	0.344	0.087	0.073	-
SC150050-050RB-R	1.500	0.500	0.500	0.125	0.110	-
SC150062-033RB-R	1.500	0.625	0.335	0.087	0.070	-
SC150062-037FB-R	1.500	0.625	0.375	0.125	0.110	1.125
SC150062-048FB-R	1.500	0.625	0.484	0.125	0.110	-
SC156075-025FB-R	1.562	0.750	0.250	0.094	0.080	1.187
SC156075-025RB-R	1.562	0.750	0.250	0.094	0.080	1.187

* Nominal Dimensions

Fluid Power

The Hydraulic Seal Specialists



SC

Imperial Single Acting Piston Cup Seal

Part Number	*ØD1	*Ød1	L3	L2	*L1	*Ød2
SC162000-043RB-R	1.625	0.000	0.437	0.108	0.094	-
SC162000-050FB-R	1.625	0.000	0.500	0.125	0.110	-
SC162000-050RB-R	1.625	0.000	0.500	0.125	0.110	-
SC162037-037RB-R	1.625	0.375	0.375	0.125	0.110	-
SC162050-034RB-R	1.625	0.500	0.344	0.125	0.110	-
SC162050-037FB-R	1.625	0.500	0.375	0.125	0.110	1.250
SC162050-037RB-R	1.625	0.500	0.375	0.125	0.110	1.250
SC168062-037FB-R	1.687	0.625	0.375	0.125	0.110	1.312
SC168062-037RB-R	1.687	0.625	0.375	0.125	0.110	1.312
SC175000-050FB-R	1.750	0.000	0.500	0.125	0.110	-
SC175037-050RB-R	1.750	0.375	0.500	0.125	0.110	-
SC175037-056FB-R	1.750	0.375	0.562	0.156	0.140	-
SC175050-043RB-R	1.750	0.500	0.437	0.187	0.170	-
SC175062-037FB-R	1.750	0.625	0.375	0.125	0.110	1.375
SC175062-037RB-R	1.750	0.625	0.375	0.125	0.110	1.375
SC175075-056RB-R	1.750	0.750	0.562	0.062	0.050	-
SC181087-040FB-R	1.812	0.875	0.400	0.156	0.140	1.437
SC181087-040RB-R	1.812	0.875	0.400	0.156	0.140	1.437
SC187000-050RB-R	1.875	0.000	0.500	0.108	0.094	-
SC187000-050FB-R	1.875	0.000	0.500	0.125	0.110	-
SC187062-043FB-R	1.875	0.625	0.437	0.125	0.110	1.500
SC187062-043RB-R	1.875	0.625	0.437	0.125	0.110	1.500
SC187075-018RB-R	1.875	0.750	0.187	0.062	0.050	-
SC187075-052RB-R	1.875	0.750	0.525	0.125	0.110	-
SC193075-031FB-R	1.937	0.750	0.312	0.094	0.080	1.563
SC193075-031RB-R	1.937	0.750	0.312	0.094	0.080	1.563
SC200000-037FB-R	2.000	0.000	0.375	0.094	0.080	-
SC200000-050FB-R	2.000	0.000	0.500	0.125	0.110	-
SC200000-050RB-R	2.000	0.000	0.500	0.125	0.110	-
SC200037-037RB-R	2.000	0.375	0.375	0.125	0.110	-
SC200050-050RB-R	2.000	0.500	0.500	0.125	0.110	-
SC200062-075RB-R	2.000	0.625	0.750	0.210	0.186	-
SC200075-050RB-R	2.000	0.750	0.500	0.125	0.110	-
SC200087-037FB-R	2.000	0.875	0.375	0.125	0.110	1.625
SC200087-037RB-R	2.000	0.875	0.375	0.125	0.110	1.625
SC200112-062RB-R	2.000	1.125	0.625	0.125	0.110	-
SC212000-062RB-R	2.125	0.000	0.625	0.125	0.110	-
SC212087-037FB-R	2.125	0.875	0.375	0.125	0.110	1.740
SC212087-037RB-R	2.125	0.875	0.375	0.125	0.110	1.740
SC225087-037FB-R	2.250	0.875	0.375	0.156	0.140	1.875

467 * Nominal Dimensions

Fluid Power

The Hydraulic Seal Specialists

SC

Imperial Single Acting Piston Cup Seal



Part Number	*ØD1	*Ød1	L3	L2	*L1	*Ød2
SC225087-037RB-R	2.250	0.875	0.375	0.156	0.140	1.875
SC237050-050FB-R	2.375	0.500	0.500	0.125	0.110	-
SC237075-037FB-R	2.375	0.750	0.375	0.156	0.140	2.000
SC237075-037RB-R	2.375	0.750	0.375	0.156	0.140	2.000
SC237100-050FB-R	2.375	1.000	0.500	0.125	0.110	-
SC237125-075FB-R	2.375	1.250	0.750	0.187	0.170	-
SC250000-050FB-R	2.500	0.000	0.500	0.125	0.110	-
SC250062-050FB-R	2.500	0.625	0.500	0.125	0.110	-
SC250075-062FB-R	2.500	0.750	0.625	0.187	0.170	-
SC250087-037FB-R	2.500	0.875	0.375	0.156	0.140	2.125
SC250150-050RB-R	2.500	1.500	0.500	0.125	0.110	-
SC262087-037FB-R	2.625	0.875	0.375	0.156	0.140	2.250
SC262087-037RB-R	2.625	0.875	0.375	0.156	0.140	2.250
SC275000-050FB-R	2.750	0.000	0.500	0.125	0.110	-
SC275050-050FB-R	2.750	0.500	0.500	0.125	0.110	2.375
SC275050-050RB-R	2.750	0.500	0.500	0.125	0.110	2.375
SC275068-050FB-R	2.750	0.687	0.500	0.125	0.110	-
SC287000-050FB-R	2.875	0.000	0.500	0.125	0.110	-
SC287100-050FB-R	2.875	1.000	0.500	0.187	0.170	2.500
SC287100-050RB-R	2.875	1.000	0.500	0.187	0.170	2.500
SC300000-062FB-R	3.000	0.000	0.625	0.156	0.140	-
SC300075-062RB-R	3.000	0.750	0.625	0.125	0.110	-
SC300100-050FB-R	3.000	1.000	0.500	0.187	0.170	2.625
SC300100-050RB-R	3.000	1.000	0.500	0.187	0.170	2.625
SC300125-050FB-R	3.000	1.250	0.500	0.156	0.140	-
SC312000-062FB-R	3.125	0.000	0.625	0.156	0.140	-
SC325000-062FB-R	3.250	0.000	0.625	0.156	0.140	-
SC325112-050FB-R	3.250	1.125	0.500	0.156	0.140	2.875
SC325112-050RB-R	3.250	1.125	0.500	0.156	0.140	2.875
SC350000-062FB-R	3.500	0.000	0.625	0.156	0.140	-
SC350218-050FB-R	3.500	2.187	0.500	0.125	0.110	3.125
SC350218-050RB-R	3.500	2.187	0.500	0.125	0.110	3.125
SC375000-062FB-R	3.750	0.000	0.625	0.156	0.140	-
SC375118-062FB-R	3.750	1.187	0.625	0.125	0.110	3.312
SC375118-062RB-R	3.750	1.187	0.625	0.125	0.110	3.312
SC400000-062FB-R	4.000	0.000	0.625	0.156	0.140	-
SC400075-050FB-R	4.000	0.750	0.500	0.187	0.170	3.625
SC400075-050RB-R	4.000	0.750	0.500	0.187	0.170	3.625
SC400112-062RB-R	4.000	1.125	0.625	0.125	0.110	-
SC400237-043FB-R	4.000	2.375	0.437	0.125	0.110	-

* Nominal Dimensions

Fluid Power

The Hydraulic Seal Specialists



SC

Imperial Single Acting Piston Cup Seal

Part Number	*ØD1	*Ød1	L3	L2	*L1	*Ød2
SC400237-043RB-R	4.000	2.375	0.437	0.125	0.110	-
SC400275-062FB-R	4.000	2.750	0.625	0.156	0.140	-
SC425000-062FB-R	4.250	0.000	0.625	0.156	0.140	-
SC425118-062FB-R	4.250	1.187	0.625	0.125	0.110	3.875
SC425118-062RB-R	4.250	1.187	0.625	0.125	0.110	3.875
SC450000-062FB-R	4.500	0.000	0.625	0.156	0.140	-
SC450050-075RB-R	4.500	0.500	0.750	0.187	0.170	-
SC450250-056FB-R	4.500	2.500	0.562	0.125	0.110	-
SC450250-056RB-R	4.500	2.500	0.562	0.125	0.110	-
SC450300-037FB-R	4.500	3.000	0.375	0.125	0.110	4.125
SC450300-037RB-R	4.500	3.000	0.375	0.125	0.110	4.125
SC475000-062FB-R	4.750	0.000	0.625	0.156	0.140	-
SC475237-062FB-R	4.750	2.375	0.625	0.187	0.170	4.312
SC475237-062RB-R	4.750	2.375	0.625	0.187	0.170	4.312
SC500000-075FB-R	5.000	0.000	0.750	0.187	0.170	-
SC500075-075FB-R	5.000	0.750	0.750	0.187	0.170	-
SC500212-075RB-R	5.000	2.125	0.750	0.156	0.140	-
SC500300-050FB-R	5.000	3.000	0.500	0.125	0.110	4.625
SC500300-050RB-R	5.000	3.000	0.500	0.125	0.110	4.625
SC525375-050FB-R	5.250	3.750	0.500	0.187	0.170	4.750
SC525375-050RB-R	5.250	3.750	0.500	0.187	0.170	4.750
SC550000-075FB-R	5.500	0.000	0.750	0.187	0.170	-
SC550075-062RB-R	5.500	0.750	0.625	0.187	0.170	-
SC550250-056FB-R	5.500	2.500	0.562	0.187	0.170	-
SC550250-056RB-R	5.500	2.500	0.562	0.187	0.170	-
SC550400-062FB-R	5.500	4.000	0.625	0.250	0.230	5.000
SC550400-062RB-R	5.500	4.000	0.625	0.250	0.230	5.000
SC575000-075FB-R	5.750	0.000	0.750	0.187	0.170	-
SC575425-062FB-R	5.750	4.250	0.625	0.250	0.230	5.250
SC575425-062RB-R	5.750	4.250	0.625	0.250	0.230	5.250
SC600000-075FB-R	6.000	0.000	0.750	0.187	0.170	-
SC600000-100FB-R	6.000	0.000	1.000	0.187	0.170	-
SC600100-075FB-R	6.000	1.000	0.750	0.187	0.170	-
SC600300-062RB-R	6.000	3.000	0.625	0.187	0.170	-
SC600300-075RB-R	6.000	3.000	0.750	0.187	0.170	-
SC600300-087RB-R	6.000	3.000	0.875	0.187	0.170	-
SC600400-075FB-R	6.000	4.000	0.750	0.187	0.170	-
SC600450-037FB-R	6.000	4.500	0.375	0.125	0.110	5.625
SC600450-037RB-R	6.000	4.500	0.375	0.125	0.110	5.625
SC625000-075FB-R	6.250	0.000	0.750	0.187	0.170	-

469 * Nominal Dimensions

Fluid Power

The Hydraulic Seal Specialists

SC

Imperial Single Acting Piston Cup Seal



Part Number	*ØD1	*Ød1	L3	L2	*L1	*Ød2
SC625087-062RB-R	6.250	0.875	0.625	0.125	0.110	5.750
SC625487-062FB-R	6.250	4.875	0.625	0.125	0.110	5.750
SC650000-075FB-R	6.500	0.000	0.750	0.187	0.170	-
SC650587-037FB-R	6.500	5.875	0.375	0.125	0.110	6.125
SC675500-062FB-R	6.750	5.000	0.625	0.250	0.230	6.250
SC675500-062RB-R	6.750	5.000	0.625	0.250	0.230	6.250
SC700000-075FB-R	7.000	0.000	0.750	0.187	0.170	-
SC700400-050FB-R	7.000	4.000	0.500	0.187	0.170	6.583
SC700400-050RB-R	7.000	4.000	0.500	0.187	0.170	6.583
SC725525-062FB-R	7.250	5.250	0.625	0.250	0.230	6.750
SC725525-062RB-R	7.250	5.250	0.625	0.250	0.230	6.750
SC750000-087FB-R	7.500	0.000	0.875	0.187	0.170	-
SC750550-062FB-R	7.500	5.500	0.625	0.250	0.230	7.000
SC750550-062RB-R	7.500	5.500	0.625	0.250	0.230	7.000
SC775600-062FB-R	7.750	6.000	0.625	0.250	0.230	7.250
SC775600-062RB-R	7.750	6.000	0.625	0.250	0.230	7.250
SC800000-100FB-R	8.000	0.000	1.000	0.187	0.170	-
SC800375-087RB-R	8.000	3.750	0.875	0.218	0.200	-
SC800400-062FB-R	8.000	4.000	0.625	0.187	0.170	-
SC800500-050FB-R	8.000	5.000	0.500	0.187	0.170	7.625
SC800500-050RB-R	8.000	5.000	0.500	0.187	0.170	7.625
SC800525-075FB-R	8.000	5.250	0.750	0.187	0.170	-
SC800525-081RB-R	8.000	5.250	0.812	0.187	0.170	-
SC800625-081RB-R	8.000	6.250	0.812	0.187	0.170	-
SC825625-062FB-R	8.250	6.250	0.625	0.250	0.230	7.750
SC825625-062RB-R	8.250	6.250	0.625	0.250	0.230	7.750
SC850493-087RB-R	8.500	4.937	0.875	0.218	0.200	-
SC850650-062FB-R	8.500	6.500	0.625	0.250	0.230	8.000
SC850650-062RB-R	8.500	6.500	0.625	0.250	0.230	8.000
SC875450-075FB-R	8.750	4.500	0.750	0.250	0.230	8.000
SC875450-075RB-R	8.750	4.500	0.750	0.250	0.230	8.000
SC900000-100FB-R	9.000	0.000	1.000	0.187	0.170	-
SC900600-062FB-R	9.000	6.000	0.625	0.187	0.170	8.500
SC900600-062RB-R	9.000	6.000	0.625	0.187	0.170	8.500
SC950700-062FB-R	9.500	7.000	0.625	0.250	0.230	9.000
SC950700-062RB-R	9.500	7.000	0.625	0.250	0.230	9.000
SC1000000-100FB-R	10.000	0.000	1.000	0.187	0.170	-
SC1000825-062FB-R	10.000	8.250	0.625	0.156	0.140	9.500
SC1000825-062RB-R	10.000	8.250	0.625	0.156	0.140	9.500
SC1050850-062FB-R	10.500	8.500	0.625	0.250	0.230	10.000

* Nominal Dimensions

Fluid Power

The Hydraulic Seal Specialists



SC

Imperial Single Acting Piston Cup Seal

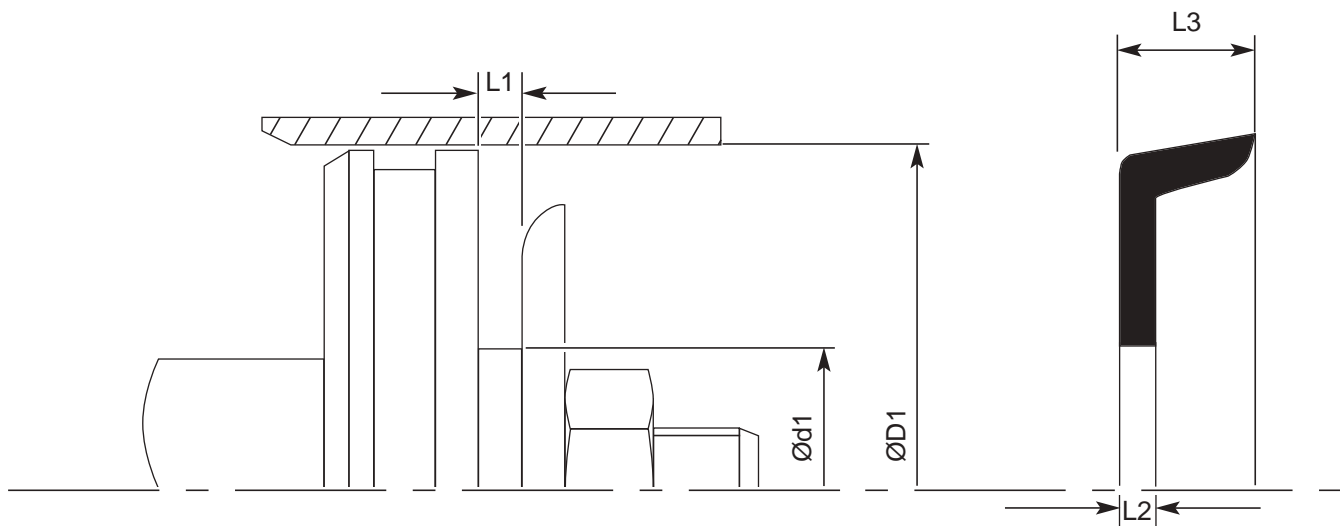
Part Number	*ØD1	*Ød1	L3	L2	*L1	*Ød2
SC1050850-062RB-R	10.500	8.500	0.625	0.250	0.230	10.000
SC1100900-062FB-R	11.000	9.000	0.625	0.250	0.230	10.500
SC1100900-062RB-R	11.000	9.000	0.625	0.250	0.230	10.500
SC1150950-062FB-R	11.500	9.500	0.625	0.250	0.230	11.000
SC1150950-062RB-R	11.500	9.500	0.625	0.250	0.230	11.000
SC1200000-100FB-R	12.000	0.000	1.000	0.187	0.170	-
SC1200912-062FB-R	12.000	9.125	0.625	0.156	0.140	11.500
SC1200912-062RB-R	12.000	9.125	0.625	0.156	0.140	11.500
SC12501000-062FB-R	12.500	10.000	0.625	0.250	0.230	11.750
SC12501000-062RB-R	12.500	10.000	0.625	0.250	0.230	11.750
SC13001050-062FB-R	13.000	10.500	0.625	0.250	0.230	12.250
SC13001050-062RB-R	13.000	10.500	0.625	0.250	0.230	12.250
SC13501150-062FB-R	13.500	11.500	0.625	0.140	0.124	12.750
SC13501150-062RB-R	13.500	11.500	0.625	0.140	0.124	12.750
SC14000000-100FB-R	14.000	0.000	1.000	0.187	0.170	-
SC14001100-075FB-R	14.000	11.000	0.750	0.250	0.230	13.250
SC14001100-075RB-R	14.000	11.000	0.750	0.250	0.230	13.250
SC14501150-075FB-R	14.500	11.500	0.750	0.250	0.230	13.750
SC14501150-075RB-R	14.500	11.500	0.750	0.250	0.230	13.750
SC15001200-075FB-R	15.000	12.000	0.750	0.250	0.230	14.250
SC15001200-075RB-R	15.000	12.000	0.750	0.250	0.230	14.250
SC15501250-075FB-R	15.500	12.500	0.750	0.250	0.230	14.750
SC15501250-075RB-R	15.500	12.500	0.750	0.250	0.230	14.750
SC16001337-075FB-R	16.000	13.375	0.750	0.156	0.140	15.250
SC16001337-075RB-R	16.000	13.375	0.750	0.156	0.140	15.250

Fluid Power

The Hydraulic Seal Specialists

SC

Metric **S**ingle Acting Piston **C**up Seal



Operating Conditions

Max Speed	Temp Range
0.50 m/s	-30° to 110°C

SC is a single acting piston seal manufactured in Nitrile. The SC is not recommended for new designs but is available for existing systems in the industry.

There are two designs in existence, the flat based profile, (FPE part no. FB-R) and the Round Based profile, (FPE part no. RB-R).

Not all the tolerances, dimensions and pressure ratings are known for this range. For further information please contact the FPE Sales team.

Fluid Power

The Hydraulic Seal Specialists



SC

Metric Single Acting Piston Cup Seal

Part Number	*ØD1	*Ød1	L3	L2	*L1
SC8-2.5-5FB-R	8.00	2.50	5.00	1.20	1.08
SC10-4-3RB-R	10.00	4.00	3.00	1.00	0.90
SC11-4-8FB-R	11.00	4.00	8.00	1.50	1.35
SC12-0-8FB-R	12.00	0.00	8.00	4.00	3.60
SC12-3-6RB-R	12.00	3.00	6.00	1.50	1.35
SC12-4-6FB-R	12.00	4.00	6.00	2.00	1.80
SC14-0-8FB-R	14.00	0.00	8.00	4.00	3.60
SC14-5-8RB-R	14.00	5.00	8.00	2.00	1.80
SC14-6-5FB-R	14.00	6.00	5.00	1.50	1.35
SC15-6-7FB-R	15.00	6.00	7.00	3.00	2.70
SC16-0-6FB-R	16.00	0.00	6.00	2.00	1.80
SC16-7-6.5FB-R	16.00	7.00	6.50	2.00	1.80
SC17-6.5-5.5RB-R	17.00	6.50	5.50	1.50	1.35
SC17-8-7RB-R	17.00	8.00	7.00	1.50	1.35
SC18-5-5RB-R	18.00	5.00	5.00	2.00	1.80
SC18-5-7FB-R	18.00	5.00	7.00	3.00	2.70
SC19-0-6FB-R	19.00	0.00	6.00	2.00	1.80
SC20-8-5FB-R	20.00	8.00	5.00	1.50	1.35
SC20-8-6.5FB-R	20.00	8.00	6.50	3.00	2.70
SC20-10-5FB-R	20.00	10.00	5.00	2.00	1.80
SC20-10-8FB-R	20.00	10.00	8.00	2.50	2.25
SC22-6-7FB-R	22.00	6.00	7.00	2.00	1.80
SC22-9-7.5FB-R	22.00	9.00	7.50	2.50	2.25
SC23-8-7RB-R	23.00	8.00	7.00	2.50	2.25
SC24-6-7RB-R	24.00	6.00	7.00	2.00	1.80
SC24-12.8-7RB-R	24.00	12.80	7.00	2.00	1.80
SC25-0-7RB-R	25.00	0.00	7.00	3.00	2.70
SC25-8-6RB-R	25.00	8.00	6.00	1.50	1.35
SC25-9-8RB-R	25.00	9.00	8.00	2.50	2.25
SC25-12-7FB-R	25.00	12.00	7.00	2.50	2.25
SC25-15-5FB-R	25.00	15.00	5.00	1.50	1.35
SC25-16.2-6FB-R	25.00	16.20	6.00	2.00	1.80
SC26-0-7FB-R	26.00	0.00	7.00	2.50	2.25
SC26-8.2-8FB-R	26.00	8.20	8.00	2.20	1.98
SC27-11-8RB-R	27.00	11.00	8.00	3.00	2.70
SC28-16-6RB-R	28.00	16.00	6.00	1.50	1.35
SC28-16-8FB-R	28.00	16.00	8.00	2.50	2.25
SC30-8-8FB-R	30.00	8.00	8.00	2.50	2.25
SC30-8-17FB-R	30.00	8.00	17.00	3.00	2.70
SC30-10-6RB-R	30.00	10.00	6.00	2.00	1.80

473 * Nominal Dimensions

Fluid Power

The Hydraulic Seal Specialists

SC

Metric Single Acting Piston Cup Seal



Part Number	*ØD1	*Ød1	L3	L2	*L1
SC30-10-10RB-R	30.00	10.00	10.00	2.50	2.25
SC30-14-6FB-R	30.00	14.00	6.00	2.00	1.80
SC31-8-8FB-R	31.00	8.00	8.00	2.00	1.80
SC32-6.2-11.5FB-R	32.00	6.20	11.50	1.80	1.62
SC32-6.5-8RB-R	32.00	6.50	8.00	3.30	3.00
SC32-16-8RB-R	32.00	16.00	8.00	2.50	2.25
SC34-18-10RB-R	34.00	18.00	10.00	3.00	2.70
SC35-0-9RB-R	35.00	0.00	9.00	2.50	2.25
SC35-10-8FB-R	35.00	10.00	8.00	2.50	2.25
SC35-10-12RB-R	35.00	10.00	12.00	3.00	2.70
SC35-14-10FB-R	35.00	14.00	10.00	4.00	3.60
SC35-17-6RB-R	35.00	17.00	6.00	1.50	1.35
SC35-21-8RB-R	35.00	21.00	8.00	2.50	2.25
SC36-18-6FB-R	36.00	18.00	6.00	2.00	1.80
SC37-18-7RB-R	37.00	18.00	7.00	3.00	2.70
SC37-26-7RB-R	37.00	26.00	7.00	1.50	1.35
SC38-12-8FB-R	38.00	12.00	8.00	2.50	2.25
SC38-16-8FB-R	38.00	16.00	8.00	2.50	2.25
SC40-0-6RB-R	40.00	0.00	6.00	2.00	1.80
SC40-13-13RB-R	40.00	13.00	13.00	4.00	3.60
SC40-16-10RB-R	40.00	16.00	10.00	2.00	1.80
SC40-18-6FB-R	40.00	18.00	6.00	2.00	1.80
SC40-21-9RB-R	40.00	21.00	9.00	3.00	2.70
SC40-24-8RB-R	40.00	24.00	8.00	2.00	1.80
SC42-16.2-6RB-R	42.00	16.20	6.00	2.00	1.80
SC42-25-13RB-R	42.00	25.00	13.00	2.50	2.25
SC43-15-10RB-R	43.00	15.00	10.00	3.00	2.70
SC45-16.5-16FB-R	45.00	16.50	15.90	3.17	2.85
SC45-20-10FB-R	45.00	20.00	10.00	3.00	2.70
SC45-22-14RB-R	45.00	22.00	14.00	4.00	3.60
SC45-26.5-18RB-R	45.00	26.50	18.00	3.00	2.70
SC45-27-10FB-R	45.00	27.00	10.00	2.50	2.25
SC45-30-6RB-R	45.00	30.00	6.00	1.50	1.35
SC46-0-10FB-R	46.00	0.00	10.00	2.00	1.80
SC46-11-9RB-R	46.00	11.00	9.00	1.50	1.35
SC46-27-11RB-R	46.00	27.00	11.00	3.50	3.15
SC48-30-9RB-R	48.00	30.00	9.00	2.50	2.25
SC50-0-15FB-R	50.00	0.00	15.00	4.50	4.05
SC50-6-7RB-R	50.00	6.00	7.00	2.00	1.80
SC50-8-12RB-R	50.00	8.00	12.00	3.00	2.70

* Nominal Dimensions

Fluid Power

The Hydraulic Seal Specialists



SC

Metric Single Acting Piston Cup Seal

Part Number	*ØD1	*Ød1	L3	L2	*L1
SC50-12-10RB-R	50.00	12.00	10.00	2.50	2.25
SC50-16-19RB-R	50.00	16.00	19.00	4.00	3.60
SC50-18-10RB-R	50.00	18.00	10.00	2.00	1.80
SC50-22-8FB-R	50.00	22.00	8.00	2.00	1.80
SC50-25-12FB-R	50.00	25.00	12.00	3.00	2.70
SC50-28-7FB-R	50.00	28.00	7.00	2.00	1.80
SC50-28-12RB-R	50.00	28.00	12.00	3.00	2.70
SC50-32-7FB-R	50.00	32.00	7.00	2.00	1.80
SC50-36-7FB-R	50.00	36.00	7.00	2.00	1.80
SC50-38-6RB-R	50.00	38.00	6.00	1.50	1.35
SC51-23-11RB-R	51.00	23.00	11.00	2.75	2.50
SC54-16-16RB-R	54.00	16.00	16.00	4.00	3.60
SC55-12-20RB-R	55.00	12.00	20.00	5.00	4.50
SC55-13-15RB-R	55.00	13.00	15.00	4.00	3.60
SC55-16-10FB-R	55.00	16.00	10.00	3.00	2.70
SC55-18-10RB-R	55.00	18.00	10.00	2.00	1.80
SC55-36-10FB-R	55.00	36.00	10.00	3.50	3.15
SC58-32-14FB-R	58.00	32.00	14.00	4.00	3.60
SC59-17-20RB-R	59.00	17.00	20.00	4.00	3.60
SC60-0-16RB-R	60.00	0.00	16.00	4.00	3.60
SC60-16-11RB-R	60.00	16.00	11.00	3.00	2.70
SC60-21-15RB-R	60.00	21.00	15.00	5.00	4.50
SC60-24-12FB-R	60.00	24.00	12.00	3.00	2.70
SC60-25-20FB-R	60.00	25.00	20.00	3.00	2.70
SC60-40.5-8RB-R	60.00	40.50	8.00	2.50	2.25
SC60-42-8FB-R	60.00	42.00	8.00	2.50	2.25
SC62-40-12RB-R	62.00	40.00	12.00	3.00	2.70
SC65-0-18RB-R	65.00	0.00	18.00	4.00	3.60
SC65-25-12RB-R	65.00	25.00	12.00	3.50	3.15
SC65-35.2-13RB-R	65.00	35.20	13.00	4.00	3.60
SC66-16-16RB-R	66.00	16.00	16.00	3.00	2.70
SC68-35-10FB-R	68.00	35.00	10.00	3.00	2.70
SC70-12-13RB-R	70.00	12.00	13.00	3.00	2.70
SC70-20-13RB-R	70.00	20.00	13.00	3.50	3.15
SC70-22-9FB-R	70.00	22.00	9.00	2.00	1.80
SC70-35-10FB-R	70.00	35.00	10.00	3.00	2.70
SC70-40-13RB-R	70.00	40.00	13.00	2.50	2.25
SC70-40-17FB-R	70.00	40.00	17.00	4.00	3.60
SC70-44-12RB-R	70.00	44.00	12.00	3.50	3.15
SC70-50-8FB-R	70.00	50.00	8.00	2.50	2.25

475 * Nominal Dimensions

Fluid Power

The Hydraulic Seal Specialists

SC

Metric Single Acting Piston Cup Seal



Part Number	*ØD1	*Ød1	L3	L2	*L1
SC75-53-15RB-R	75.00	53.00	15.00	4.00	3.60
SC75-55.5-12RB-R	75.00	55.50	12.00	3.00	2.70
SC76-20-16FB-R	76.00	20.00	16.00	3.00	2.70
SC78-40-15RB-R	78.00	40.00	15.00	4.00	3.60
SC80-0-20RB-R	80.00	0.00	20.00	4.00	3.60
SC80-42-13RB-R	80.00	42.00	13.00	3.50	3.15
SC80-50-10FB-R	80.00	50.00	10.00	2.50	2.25
SC80-52-8.5FB-R	80.00	52.00	8.50	3.00	2.70
SC82-42-15.8RB-R	82.00	42.00	15.80	4.50	4.05
SC85-45-14RB-R	85.00	45.00	14.00	2.50	2.25
SC90-25-20RB-R	90.00	25.00	20.00	3.00	2.70
SC90-35.1-18RB-R	90.00	35.10	18.00	4.00	3.60
SC90-50-20FB-R	90.00	50.00	20.00	5.00	4.50
SC90-62-18RB-R	90.00	62.00	18.00	4.00	3.60
SC90-65-12FB-R	90.00	65.00	12.00	3.00	2.70
SC95-38-15RB-R	95.00	38.00	15.00	3.50	3.15
SC96.9-52-20RB-R	96.90	52.00	20.00	6.60	6.00
SC100-0-22RB-R	100.00	0.00	22.00	4.00	3.60
SC100-27-12.7FB-R	100.00	27.00	12.70	4.00	3.60
SC100-28-18RB-R	100.00	28.00	18.00	4.00	3.60
SC100-42-18RB-R	100.00	42.00	18.00	4.00	3.60
SC100-50-18FB-R	100.00	50.00	18.00	5.00	4.50
SC100-60-15RB-R	100.00	60.00	15.00	3.00	2.70
SC100-64-12FB-R	100.00	64.00	12.00	3.00	2.70
SC100-65-10RB-R	100.00	65.00	10.00	3.00	2.70
SC100-68-15RB-R	100.00	68.00	15.00	4.00	3.60
SC100-68-16RB-R	100.00	68.00	16.00	3.00	2.70
SC100-78-12FB-R	100.00	78.00	12.00	3.00	2.70
SC102-21-21RB-R	102.00	21.00	21.00	3.00	2.70
SC105-0-22RB-R	105.00	0.00	22.00	4.00	3.60
SC105-80-12RB-R	105.00	80.00	12.00	3.00	2.70
SC110-70-15FB-R	110.00	70.00	15.00	3.00	2.70
SC115-76-11FB-R	115.00	76.00	11.00	3.00	2.70
SC120-30-14FB-R	120.00	30.00	14.00	4.00	3.60
SC120-30-20RB-R	120.00	30.00	20.00	3.00	2.70
SC120-76-20FB-R	120.00	76.00	20.00	3.00	2.70
SC120-99-14FB-R	120.00	99.00	14.00	3.00	2.70
SC125-78-20FB-R	125.00	78.00	20.00	6.00	5.40
SC125-88-18RB-R	125.00	88.00	18.00	3.50	3.15
SC130-73-12FB-R	130.00	73.00	12.00	3.00	2.70

* Nominal Dimensions

Fluid Power

The Hydraulic Seal Specialists



SC

Metric Single Acting Piston Cup Seal

Part Number	*ØD1	*Ød1	L3	L2	*L1
SC130-105-12RB-R	130.00	105.00	12.00	3.00	2.70
SC140-30-20RB-R	140.00	30.00	20.00	4.00	3.60
SC140-50-15FB-R	140.00	50.00	15.00	3.00	2.70
SC140-92-28RB-R	140.00	92.00	28.00	3.00	2.70
SC140-120-16FB-R	140.00	120.00	16.00	3.00	2.70
SC145-100-15FB-R	145.00	100.00	15.00	3.00	2.70
SC150-35-25FB-R	150.00	35.00	25.00	4.00	3.60
SC150-102-25FB-R	150.00	102.00	25.00	6.00	5.40
SC150-120-18RB-R	150.00	120.00	18.00	3.50	3.15
SC150-120.5-16RB-R	150.00	120.50	16.00	4.00	3.60
SC155-80-24RB-R	155.00	80.00	24.00	5.00	4.50
SC160-80-24RB-R	160.00	80.00	24.00	5.00	4.50
SC160-125-17RB-R	160.00	125.00	17.00	3.50	3.15
SC165-120-21RB-R	165.00	120.00	21.50	6.50	5.85
SC175-115-18RB-R	175.00	115.00	18.00	4.00	3.60
SC175-115-22FB-R	175.00	115.00	22.00	6.00	5.40
SC175-140.5-17RB-R	175.00	140.50	17.00	4.00	3.60
SC180-65-26RB-R	180.00	65.00	26.00	5.00	4.50
SC180-140-20FB-R	180.00	140.00	20.00	5.00	4.50
SC190-145-21RB-R	190.00	145.00	21.50	6.50	5.85
SC195-70-28RB-R	195.00	70.00	28.00	5.00	4.50
SC200-102-30RB-R	200.00	102.00	30.00	4.00	3.60
SC200-130-22FB-R	200.00	130.00	22.00	6.00	5.40
SC200-130-24FB-R	200.00	130.00	24.00	5.00	4.50
SC200-150-20RB-R	200.00	150.00	20.00	5.00	4.50
SC200-162-17FB-R	200.00	162.00	17.00	3.00	2.70
SC200-162.5-17RB-R	200.00	162.50	17.00	4.00	3.60
SC205-128-21RB-R	205.00	128.00	21.00	5.00	4.50
SC230-150-18RB-R	230.00	150.00	18.00	4.00	3.60
SC250-80-20FB-R	250.00	80.00	20.00	5.00	4.50
SC250-210-20RB-R	250.00	210.00	20.00	5.00	4.50
SC250-184-25FB-R	250.00	184.20	25.40	4.80	4.32
SC260-180-25FB-R	260.00	180.00	25.00	6.00	5.40
SC260-190-25RB-R	260.00	190.00	25.00	8.00	7.20
SC290-205-35RB-R	290.00	205.00	35.00	5.00	4.50
SC300-210-25FB-R	300.00	210.00	25.00	6.00	5.40
SC300-225-25RB-R	300.00	225.00	25.00	5.00	4.50
SC305-180-25RB-R	305.00	180.00	25.00	5.00	4.50
SC315-270-25FB-R	315.00	270.00	25.00	5.00	4.50
SC320-240-25FB-R	320.00	240.00	25.00	5.00	4.50

477 * Nominal Dimensions

Fluid Power

The Hydraulic Seal Specialists

SC

Metric **S**ingle Acting Piston **C**up Seal



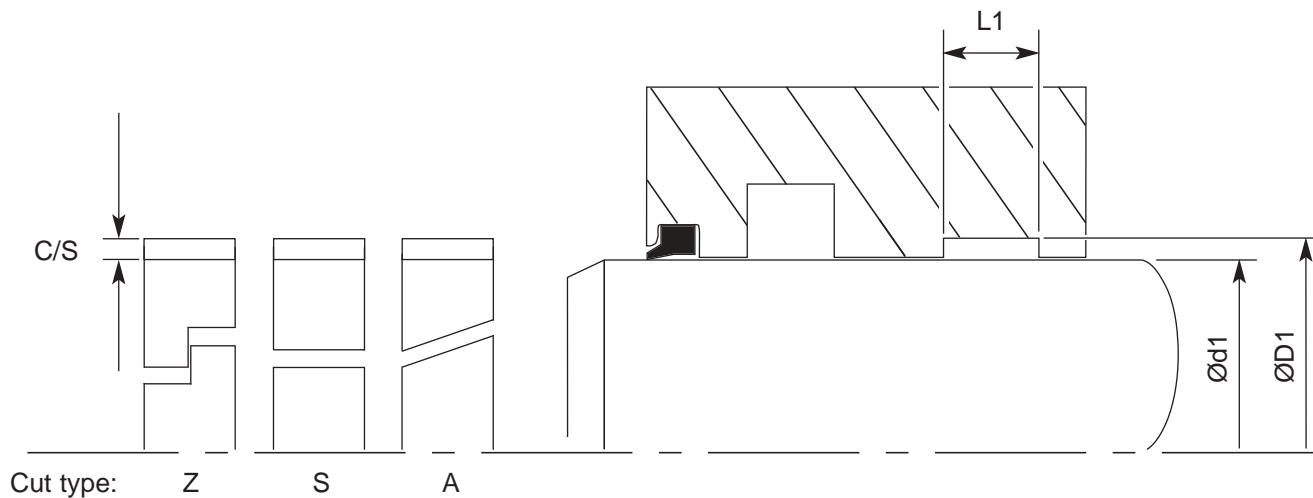
Part Number	*ØD1	*Ød1	L3	L2	*L1
SC335-254-25FB-R	335.00	254.00	25.00	5.00	4.50
SC350-300-25RB-R	350.00	300.00	25.00	5.00	4.50
SC350-310-24RB-R	350.00	310.00	24.00	4.00	3.60
SC360-300-30RB-R	360.00	300.00	30.00	5.00	4.50
SC400-300-30RB-R	400.00	300.00	30.00	5.00	4.50
SC400-354.5-24RB-R	400.00	354.50	24.00	5.00	4.50
SC450-380-20RB-R	450.00	380.00	20.00	8.00	7.20
SC450-401-24RB-R	450.00	401.00	24.00	5.00	4.50
SC450-410-24RB-R	450.00	410.00	24.00	4.00	3.60
SC475-412-30FB-R	475.00	412.00	30.00	5.00	4.50
SC500-431-24RB-R	500.00	431.00	24.00	5.00	4.50
SC525-455-20RB-R	525.00	455.00	20.00	7.00	6.50
SC550-510-27RB-R	550.00	510.00	27.00	4.00	3.60

* Nominal Dimensions

Fluid Power

The Hydraulic Seal Specialists

BR Metric Bearing Ring



Tolerances

Tolerances for this range vary greatly and therefore, if you require machining dimensions please contact the FPE sales team.

Operating Conditions

Max Speed	Temp Range
1 m/s	-30° to 110°C

The **BR** is designed for use on both piston and rod applications to prevent metal to metal contact. They are available in either Polyacetal (FPE material ref. -D) ,Glass Filled Polyacetal (FPE material ref. -GF) or Phenolic Resin (FPE material ref. -PH) .

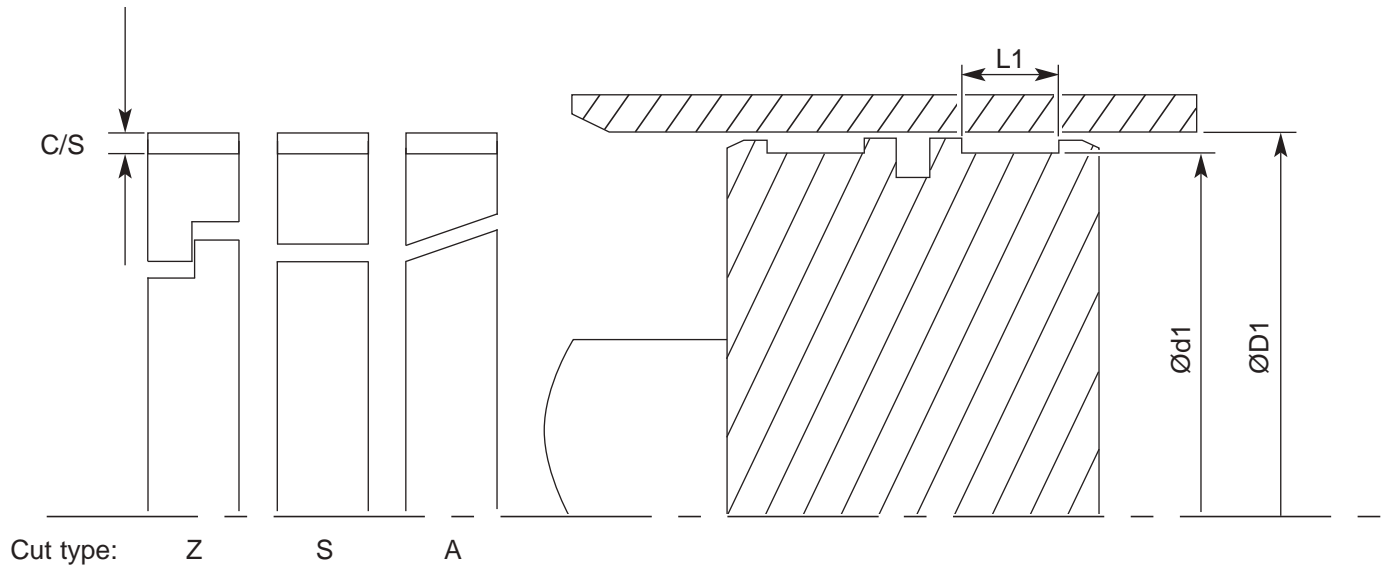
There are three sorts of cut available, A = Angle cut, S = Straight cut and Z = Z cut.

The sizes listed in this catalogue are only a fraction of those available and are listed without the style of cut and material references. Please check with the FPE sales team to ensure you get the cut and material you require.

Fluid Power

The Hydraulic Seal Specialists

BR Metric Bearing Ring



Tolerances

Tolerances for this range vary greatly and therefore, if you require machining dimensions please contact the FPE sales team.

Operating Conditions

Max Speed	Temp Range
1 m/s	-30° to 110°C

The **BR** is designed for use on both piston and rod applications to prevent metal to metal contact. They are available in either Polyacetal (FPE material ref. -D), Glass Filled Polyacetal (FPE material ref. -GF) or Phenolic Resin (FPE material ref. -PH).

There are three sorts of cut available, A = Angle cut, S = Straight cut and Z = Z cut.

The sizes listed in this catalogue are only a fraction of those available and are listed without the style of cut and material references. Please check with the FPE sales team to ensure you get the cut and material you require.

Fluid Power

The Hydraulic Seal Specialists

BR

Metric Bearing Ring

Part Number	*ØD1	*Ød1	*L1	c/s
BR14-11-4	14.00	11.00	4.00	1.50
BR18-14-9.7	18.00	14.00	9.70	2.00
BR20-16-9.7	20.00	16.00	9.70	2.00
BR22-18-9.7	22.00	18.00	9.70	2.00
BR24-20-9.7	24.00	20.00	9.70	2.00
BR25-20-5.6	25.00	20.00	5.60	2.50
BR25-21-9.7	25.00	21.00	9.70	2.00
BR26-22-9.7	26.00	22.00	9.70	2.00
BR28-22-9.7	28.00	22.00	9.70	3.00
BR29-25-9.7	29.00	25.00	9.70	2.00
BR30-25-5.6	30.00	25.00	5.60	2.50
BR30-25-9.7	30.00	25.00	9.70	2.50
BR30-26-9.7	30.00	26.00	9.70	2.00
BR31-25-9.7	31.00	25.00	9.70	3.00
BR32-26-9.7	32.00	26.00	9.70	3.00
BR32-27-5.6	32.00	27.00	5.60	2.50
BR32-27-9.7	32.00	27.00	9.70	2.50
BR32-28-9.7	32.00	28.00	9.70	2.00
BR33-28-5.6	33.00	28.00	5.60	2.50
BR34-28-9.7	34.00	28.00	9.70	3.00
BR34-30-9.7	34.00	30.00	9.70	2.00
BR35-29-10	35.00	29.00	10.00	3.00
BR35-30-5.6	35.00	30.00	5.60	2.50
BR35-30-9.7	35.00	30.00	9.70	2.50
BR35-30-20	35.00	30.00	20.00	2.50
BR35-31-9.7	35.00	31.00	9.70	2.00
BR36-30-9.6	36.00	30.00	9.60	3.00
BR36-31-5.6	36.00	31.00	5.60	2.50
BR36-32-9.7	36.00	32.00	9.70	2.00
BR37-32-5.6	37.00	32.00	5.60	2.50
BR37-32-9.7	37.00	32.00	9.70	2.50
BR38-32-9.7	38.00	32.00	9.70	3.00
BR39-35-7.9	39.00	35.00	7.90	2.00
BR39-35-9.7	39.00	35.00	9.70	2.00
BR39-35-15	39.00	35.00	15.00	2.00
BR40-34-9.7	40.00	34.00	9.70	3.00
BR40-35-5.6	40.00	35.00	5.60	2.50
BR40-35-9.7	40.00	35.00	9.70	2.50
BR40-36-8	40.00	36.00	8.00	2.00
BR40-36-9.7	40.00	36.00	9.70	2.00

481 * Nominal Dimensions

Fluid Power

The Hydraulic Seal Specialists

BR

Metric Bearing Ring

Part Number	*ØD1	*Ød1	*L1	c/s
BR41-35-9.6	41.00	35.00	9.60	3.00
BR41-36-5.6	41.00	36.00	5.60	2.50
BR41-36-9.7	41.00	36.00	9.70	2.50
BR42-36-9.7	42.00	36.00	9.70	3.00
BR42-38-9.7	42.00	38.00	9.70	2.00
BR44-40-9.7	44.00	40.00	9.70	2.00
BR44-40-20	44.00	40.00	20.00	2.00
BR44-40-30	44.00	40.00	30.00	2.00
BR44-40-40	44.00	40.00	40.00	2.00
BR45-39-14.8	45.00	39.00	14.80	3.00
BR45-40-5.6	45.00	40.00	5.60	2.50
BR45-40-9.7	45.00	40.00	9.70	2.50
BR45-40-15	45.00	40.00	15.00	2.50
BR45-40-30	45.00	40.00	30.00	2.50
BR45-41-9.7	45.00	41.00	9.70	2.00
BR46-40-9.7	46.00	40.00	9.70	3.00
BR46-40-20	46.00	40.00	20.00	3.00
BR48-45-22.8	48.00	45.00	22.80	1.50
BR49-45-8	49.00	45.00	8.00	2.00
BR49-45-25	49.00	45.00	25.00	2.00
BR50-40-6	50.00	40.00	6.00	5.00
BR50-44-9.7	50.00	44.00	9.70	3.00
BR50-44-13	50.00	44.00	13.00	3.00
BR50-45-5	50.00	45.00	5.00	2.50
BR50-45-5.6	50.00	45.00	5.60	2.50
BR50-45-6.3	50.00	45.00	6.30	2.50
BR50-45-7	50.00	45.00	7.00	2.50
BR50-45-9.7	50.00	45.00	9.70	2.50
BR50-45-15	50.00	45.00	15.00	2.50
BR50-45-20	50.00	45.00	20.00	2.50
BR50-45-30	50.00	45.00	30.00	2.50
BR50-46-9.7	50.00	46.00	9.70	2.00
BR50-46-12	50.00	46.00	12.00	2.00
BR50-46-14.8	50.00	46.00	14.80	2.00
BR51-45-9.7	51.00	45.00	9.70	3.00
BR51-45-13	51.00	45.00	13.00	3.00
BR55-49-13	55.00	49.00	13.00	3.00
BR55-49-15.5	55.00	49.00	15.50	3.00
BR55-50-5.6	55.00	50.00	5.60	2.50
BR55-50-9.7	55.00	50.00	9.70	2.50

* Nominal Dimensions

Fluid Power

The Hydraulic Seal Specialists

BR

Metric Bearing Ring

Part Number	*ØD1	*Ød1	*L1	c/s
BR55-50-15	55.00	50.00	15.00	2.50
BR55-50-20	55.00	50.00	20.00	2.50
BR55-50-25	55.00	50.00	25.00	2.50
BR55-50-30	55.00	50.00	30.00	2.50
BR55-51-10	55.00	51.00	10.00	2.00
BR55.7-50-12.3	55.70	50.00	12.30	2.85
BR56-50-9.7	56.00	50.00	9.70	3.00
BR56-50-13	56.00	50.00	13.00	3.00
BR56-50-28	56.00	50.00	28.00	3.00
BR60-52-10	60.00	52.00	10.00	4.00
BR60-54-9.7	60.00	54.00	9.70	3.00
BR60-54-12.3	60.00	54.00	12.30	3.00
BR60-54-13	60.00	54.00	13.00	3.00
BR60-54-14.7	60.00	54.00	14.70	3.00
BR60-54.3-12.3	60.00	54.30	12.30	2.85
BR60-55-5.6	60.00	55.00	5.60	2.50
BR60-55-7	60.00	55.00	7.00	2.50
BR60-55-9.7	60.00	55.00	9.70	2.50
BR60-55-15	60.00	55.00	15.00	2.50
BR60-55-20	60.00	55.00	20.00	2.50
BR60-55-25	60.00	55.00	25.00	2.50
BR60-56-10	60.00	56.00	10.00	2.00
BR61-55-9.7	61.00	55.00	9.70	3.00
BR61-55-13	61.00	55.00	13.00	3.00
BR62-56-13	62.00	56.00	13.00	3.00
BR62-56-28	62.00	56.00	28.00	3.00
BR63-57-10	63.00	57.00	10.00	3.00
BR63-57-13	63.00	57.00	13.00	3.00
BR63-58-5.6	63.00	58.00	5.60	2.50
BR63-58-6.3	63.00	58.00	6.30	2.50
BR63-58-7	63.00	58.00	7.00	2.50
BR63-58-9.7	63.00	58.00	9.70	2.50
BR63-58-13	63.00	58.00	13.00	2.50
BR63-58-20	63.00	58.00	20.00	2.50
BR63-59-10	63.00	59.00	10.00	2.00
BR64-58-13	64.00	58.00	13.00	3.00
BR64-60-10	64.00	60.00	10.00	2.00
BR65-59-13	65.00	59.00	13.00	3.00
BR65-59-15.5	65.00	59.00	15.50	3.00
BR65-60-5.6	65.00	60.00	5.60	2.50

483 * Nominal Dimensions

Fluid Power

The Hydraulic Seal Specialists

BR

Metric Bearing Ring

Part Number	*ØD1	*Ød1	*L1	c/s
BR65-60-6.3	65.00	60.00	6.30	2.50
BR65-60-9.7	65.00	60.00	9.70	2.50
BR65-60-15	65.00	60.00	15.00	2.50
BR65-60-20	65.00	60.00	20.00	2.50
BR65-60-25	65.00	60.00	25.00	2.50
BR65-60-32	65.00	60.00	32.00	2.50
BR65-61-9.7	65.00	61.00	9.70	2.00
BR66-60-13	66.00	60.00	13.00	3.00
BR66-60-25.4	66.00	60.00	25.40	3.00
BR68-63-9.7	68.00	63.00	9.70	2.50
BR68-63-20	68.00	63.00	20.00	2.50
BR68-63-25	68.00	63.00	25.00	2.50
BR68-64-9.7	68.00	64.00	9.70	2.00
BR68.2-63-24	68.20	63.00	24.00	2.60
BR69-63-13	69.00	63.00	13.00	3.00
BR69-63-28	69.00	63.00	28.00	3.00
BR69-63-30	69.00	63.00	30.00	3.00
BR70-62-9.7	70.00	62.00	9.70	4.00
BR70-62-20	70.00	62.00	20.00	4.00
BR70-64-13	70.00	64.00	13.00	3.00
BR70-64-15.5	70.00	64.00	15.50	3.00
BR70-64-19.5	70.00	64.00	19.50	3.00
BR70-64.3-12.3	70.00	64.30	12.30	2.85
BR70-65-5.6	70.00	65.00	5.60	2.50
BR70-65-7	70.00	65.00	7.00	2.50
BR70-65-9.7	70.00	65.00	9.70	2.50
BR70-65-10	70.00	65.00	10.00	2.50
BR70-65-15	70.00	65.00	15.00	2.50
BR70-65-20.5	70.00	65.00	20.50	2.50
BR70-66-10	70.00	66.00	10.00	2.00
BR71-65-13	71.00	65.00	13.00	3.00
BR72-67-5.6	72.00	67.00	5.60	2.50
BR75-69-9.6	75.00	69.00	9.60	3.00
BR75-69-13	75.00	69.00	13.00	3.00
BR75-70-5.6	75.00	70.00	5.60	2.50
BR75-70-6.3	75.00	70.00	6.30	2.50
BR75-70-9.7	75.00	70.00	9.70	2.50
BR75-70-10	75.00	70.00	10.00	2.50
BR75-70-15	75.00	70.00	15.00	2.50
BR75-70-18	75.00	70.00	18.00	2.50

* Nominal Dimensions

Fluid Power

The Hydraulic Seal Specialists

BR

Metric Bearing Ring

Part Number	*ØD1	*Ød1	*L1	c/s
BR75-70-20	75.00	70.00	20.00	2.50
BR75-70-25	75.00	70.00	25.00	2.50
BR75-70-30	75.00	70.00	30.00	2.50
BR75-70-45	75.00	70.00	45.00	2.50
BR75-70-50	75.00	70.00	50.00	2.50
BR75-71-9.7	75.00	71.00	9.70	2.00
BR76-70-13	76.00	70.00	13.00	3.00
BR76-70-19.2	76.00	70.00	19.20	3.00
BR76-70-40	76.00	70.00	40.00	3.00
BR77-72-6	77.00	72.00	6.00	2.50
BR78-72-13	78.00	72.00	13.00	3.00
BR80-73.6-9.7	80.00	73.60	9.70	3.20
BR80-74-9.7	80.00	74.00	9.70	3.00
BR80-74-13	80.00	74.00	13.00	3.00
BR80-74-15.5	80.00	74.00	15.50	3.00
BR80-74-19.5	80.00	74.00	19.50	3.00
BR80-74-30	80.00	74.00	30.00	3.00
BR80-74.3-12.3	80.00	74.30	12.30	2.85
BR80-75-5.6	80.00	75.00	5.60	2.50
BR80-75-7.9	80.00	75.00	7.90	2.50
BR80-75-9.7	80.00	75.00	9.70	2.50
BR80-75-10	80.00	75.00	10.00	2.50
BR80-75-13	80.00	75.00	13.00	2.50
BR80-75-15	80.00	75.00	15.00	2.50
BR80-75-20	80.00	75.00	20.00	2.50
BR80-75-25	80.00	75.00	25.00	2.50
BR80-75-45	80.00	75.00	45.00	2.50
BR80-76-9.7	80.00	76.00	9.70	2.00
BR81-75-13	81.00	75.00	13.00	3.00
BR81-75-19.2	81.00	75.00	19.20	3.00
BR84-80-10	84.00	80.00	10.00	2.00
BR84.2-79-24	84.20	79.00	24.00	2.60
BR85-77-15	85.00	77.00	15.00	4.00
BR85-79-13	85.00	79.00	13.00	3.00
BR85-79-20	85.00	79.00	20.00	3.00
BR85-79-25	85.00	79.00	25.00	3.00
BR85-80-6.3	85.00	80.00	6.30	2.50
BR85-80-9.7	85.00	80.00	9.70	2.50
BR85-80-15	85.00	80.00	15.00	2.50
BR85-80-17.9	85.00	80.00	17.90	2.50

485 * Nominal Dimensions

Fluid Power

The Hydraulic Seal Specialists

BR

Metric Bearing Ring

Part Number	*ØD1	*Ød1	*L1	c/s
BR85-80-19.1	85.00	80.00	19.10	2.50
BR85-80-25	85.00	80.00	25.00	2.50
BR85-80-29.7	85.00	80.00	29.70	2.50
BR85-80-35	85.00	80.00	35.00	2.50
BR85-80-50	85.00	80.00	50.00	2.50
BR85-81-9.7	85.00	81.00	9.70	2.00
BR86-80-13	86.00	80.00	13.00	3.00
BR86-80-15	86.00	80.00	15.00	3.00
BR86-80-20	86.00	80.00	20.00	3.00
BR86-80-25	86.00	80.00	25.00	3.00
BR86-80-40	86.00	80.00	40.00	3.00
BR88-80-50	88.00	80.00	50.00	4.00
BR88-84.2-3.5	88.00	84.20	3.50	1.90
BR90-81-10	90.00	81.00	10.00	4.50
BR90-81-13	90.00	81.00	13.00	4.50
BR90-82-6	90.00	82.00	6.00	4.00
BR90-82-15	90.00	82.00	15.00	4.00
BR90-83.6-9.7	90.00	83.60	9.70	3.20
BR90-84-10	90.00	84.00	10.00	3.00
BR90-84-13	90.00	84.00	13.00	3.00
BR90-84-15	90.00	84.00	15.00	3.00
BR90-84-25	90.00	84.00	25.00	3.00
BR90-84-30	90.00	84.00	30.00	3.00
BR90-84.3-12.3	90.00	84.30	12.30	2.85
BR90-85-6	90.00	85.00	6.00	2.50
BR90-85-8	90.00	85.00	8.00	2.50
BR90-85-9.7	90.00	85.00	9.70	2.50
BR90-85-15	90.00	85.00	15.00	2.50
BR90-85-25	90.00	85.00	25.00	2.50
BR90-85-45	90.00	85.00	45.00	2.50
BR90-86-10	90.00	86.00	10.00	2.00
BR90-86-15	90.00	86.00	15.00	2.00
BR91-85-13	91.00	85.00	13.00	3.00
BR91-85-19.2	91.00	85.00	19.20	3.00
BR91-86-6	91.00	86.00	6.00	2.50
BR91-86-8	91.00	86.00	8.00	2.50
BR91-88-22	91.00	88.00	22.00	1.50
BR92-86-13	92.00	86.00	13.00	3.00
BR93-87-13	93.00	87.00	13.00	3.00
BR95-86-13	95.00	86.00	13.00	4.50

* Nominal Dimensions

Fluid Power

The Hydraulic Seal Specialists

BR

Metric Bearing Ring

Part Number	*ØD1	*Ød1	*L1	c/s
BR95-87-5.9	95.00	87.00	5.90	4.00
BR95-87-9.7	95.00	87.00	9.70	4.00
BR95-87-15	95.00	87.00	15.00	4.00
BR95-89-13	95.00	89.00	13.00	3.00
BR95-89-20	95.00	89.00	20.00	3.00
BR95-89-25	95.00	89.00	25.00	3.00
BR95-90-6	95.00	90.00	6.00	2.50
BR95-90-9.7	95.00	90.00	9.70	2.50
BR95-90-15	95.00	90.00	15.00	2.50
BR95-90-20	95.00	90.00	20.00	2.50
BR95-90-25	95.00	90.00	25.00	2.50
BR95-91-15	95.00	91.00	15.00	2.00
BR96-90-13	96.00	90.00	13.00	3.00
BR96-90-19.2	96.00	90.00	19.20	3.00
BR96-90-20	96.00	90.00	20.00	3.00
BR96-90-24.7	96.00	90.00	24.70	3.00
BR96-90-29	96.00	90.00	29.00	3.00
BR96-90-39.7	96.00	90.00	39.70	3.00
BR97-92-9.7	97.00	92.00	9.70	2.50
BR100-91-12.5	100.00	91.00	12.50	4.50
BR100-92-6.3	100.00	92.00	6.30	4.00
BR100-92-9.7	100.00	92.00	9.70	4.00
BR100-92-15	100.00	92.00	15.00	4.00
BR100-92-25	100.00	92.00	25.00	4.00
BR100-93.4-16.8	100.00	93.40	16.80	3.30
BR100-94-5.9	100.00	94.00	5.90	3.00
BR100-94-10	100.00	94.00	10.00	3.00
BR100-94-13	100.00	94.00	13.00	3.00
BR100-94-15	100.00	94.00	15.00	3.00
BR100-94-20	100.00	94.00	20.00	3.00
BR100-94-22.5	100.00	94.00	22.50	3.00
BR100-94-25	100.00	94.00	25.00	3.00
BR100-94-30	100.00	94.00	30.00	3.00
BR100-94.3-12.3	100.00	94.30	12.30	2.85
BR100-95-6	100.00	95.00	6.00	2.50
BR100-95-8.1	100.00	95.00	8.10	2.50
BR100-95-9.7	100.00	95.00	9.70	2.50
BR100-95-12.5	100.00	95.00	12.50	2.50
BR100-95-15	100.00	95.00	15.00	2.50
BR100-95-25	100.00	95.00	25.00	2.50

487 * Nominal Dimensions

Fluid Power

The Hydraulic Seal Specialists

BR

Metric Bearing Ring

Part Number	*ØD1	*Ød1	*L1	c/s
BR100-96-15	100.00	96.00	15.00	2.00
BR101-95-13	101.00	95.00	13.00	3.00
BR101-95-19.2	101.00	95.00	19.20	3.00
BR103.2-98-24	103.20	98.00	24.00	2.60
BR104-100-10	104.00	100.00	10.00	2.00
BR105-96-10	105.00	96.00	10.00	4.50
BR105-96-12.7	105.00	96.00	12.70	4.50
BR105-97-5.9	105.00	97.00	5.90	4.00
BR105-97-9.7	105.00	97.00	9.70	4.00
BR105-97-25	105.00	97.00	25.00	4.00
BR105-99-9.7	105.00	99.00	9.70	3.00
BR105-99-13	105.00	99.00	13.00	3.00
BR105-99-15	105.00	99.00	15.00	3.00
BR105-99-20.5	105.00	99.00	20.50	3.00
BR105-99-25	105.00	99.00	25.00	3.00
BR105-100-6	105.00	100.00	6.00	2.50
BR105-100-8.1	105.00	100.00	8.10	2.50
BR105-100-9.7	105.00	100.00	9.70	2.50
BR105-100-13	105.00	100.00	13.00	2.50
BR105-100-15	105.00	100.00	15.00	2.50
BR105-100-34.4	105.00	100.00	34.40	2.50
BR105-100-60	105.00	100.00	60.00	2.50
BR105-101-15	105.00	101.00	15.00	2.00
BR105-101-20	105.00	101.00	20.00	2.00
BR106-100-13	106.00	100.00	13.00	3.00
BR106-100-20.5	106.00	100.00	20.50	3.00
BR106-100-40	106.00	100.00	40.00	3.00
BR106-100-50	106.00	100.00	50.00	3.00
BR106-101-6	106.00	101.00	6.00	2.50
BR107-101-12.8	107.00	101.00	12.80	3.00
BR110-100-15	110.00	100.00	15.00	5.00
BR110-101-13	110.00	101.00	13.00	4.50
BR110-102-5.9	110.00	102.00	5.90	4.00
BR110-102-7.9	110.00	102.00	7.90	4.00
BR110-102-9.7	110.00	102.00	9.70	4.00
BR110-102-15	110.00	102.00	15.00	4.00
BR110-104-5.9	110.00	104.00	5.90	3.00
BR110-104-13	110.00	104.00	13.00	3.00
BR110-104-15	110.00	104.00	15.00	3.00
BR110-104-22.5	110.00	104.00	22.50	3.00

* Nominal Dimensions

Fluid Power

The Hydraulic Seal Specialists

BR

Metric Bearing Ring

Part Number	*ØD1	*Ød1	*L1	c/s
BR110-104-25	110.00	104.00	25.00	3.00
BR110-104-30	110.00	104.00	30.00	3.00
BR110-104-35	110.00	104.00	35.00	3.00
BR110-104.3-12.3	110.00	104.30	12.30	2.85
BR110-105-6	110.00	105.00	6.00	2.50
BR110-105-8.1	110.00	105.00	8.10	2.50
BR110-105-9.7	110.00	105.00	9.70	2.50
BR110-105-12.5	110.00	105.00	12.50	2.50
BR110-105-15	110.00	105.00	15.00	2.50
BR110-105-25	110.00	105.00	25.00	2.50
BR110-106-15	110.00	106.00	15.00	2.00
BR110.2-105-24	110.20	105.00	24.00	2.60
BR111-105-13	111.00	105.00	13.00	3.00
BR111-107-22	111.00	107.00	22.00	2.00
BR112-106-12.7	112.00	106.00	12.70	3.00
BR113-105-20	113.00	105.00	20.00	4.00
BR113-105-70	113.00	105.00	70.00	4.00
BR115-106-9.8	115.00	106.00	9.80	4.50
BR115-106-15	115.00	106.00	15.00	4.50
BR115-106.8-20.5	115.00	106.80	20.50	4.10
BR115-107-5.9	115.00	107.00	5.90	4.00
BR115-107-9.7	115.00	107.00	9.70	4.00
BR115-107-15	115.00	107.00	15.00	4.00
BR115-107-25	115.00	107.00	25.00	4.00
BR115-109-9.7	115.00	109.00	9.70	3.00
BR115-109-13	115.00	109.00	13.00	3.00
BR115-109-15	115.00	109.00	15.00	3.00
BR115-110-8.1	115.00	110.00	8.10	2.50
BR115-110-9.7	115.00	110.00	9.70	2.50
BR115-110-12.7	115.00	110.00	12.70	2.50
BR115-110-15	115.00	110.00	15.00	2.50
BR115-110-25	115.00	110.00	25.00	2.50
BR115-110-30	115.00	110.00	30.00	2.50
BR115-111-15	115.00	111.00	15.00	2.00
BR116-110-13	116.00	110.00	13.00	3.00
BR116-110-40	116.00	110.00	40.00	3.00
BR118-110-30	118.00	110.00	30.00	4.00
BR120-110-15	120.00	110.00	15.00	5.00
BR120-111-10	120.00	111.00	10.00	4.50
BR120-111-15	120.00	111.00	15.00	4.50

489 * Nominal Dimensions

Fluid Power

The Hydraulic Seal Specialists

BR

Metric **B**earing **R**ing

Part Number	*ØD1	*Ød1	*L1	c/s
BR120-112-6.3	120.00	112.00	6.30	4.00
BR120-112-7.9	120.00	112.00	7.90	4.00
BR120-112-9.7	120.00	112.00	9.70	4.00
BR120-113-15	120.00	113.00	15.00	3.50
BR120-114-6.3	120.00	114.00	6.30	3.00
BR120-114-9.7	120.00	114.00	9.70	3.00
BR120-114-13	120.00	114.00	13.00	3.00
BR120-114-15	120.00	114.00	15.00	3.00
BR120-114-19.5	120.00	114.00	19.50	3.00
BR120-114-22.5	120.00	114.00	22.50	3.00
BR120-114-25	120.00	114.00	25.00	3.00
BR120-114-30	120.00	114.00	30.00	3.00
BR120-114-35	120.00	114.00	35.00	3.00
BR120-114.3-12.3	120.00	114.30	12.30	2.85
BR120-115-8.1	120.00	115.00	8.10	2.50
BR120-115-9.7	120.00	115.00	9.70	2.50
BR120-115-15	120.00	115.00	15.00	2.50
BR120-115-25	120.00	115.00	25.00	2.50
BR120-116-15	120.00	116.00	15.00	2.00
BR121-115-13	121.00	115.00	13.00	3.00
BR122-117-6	122.00	117.00	6.00	2.50
BR122.2-117-24	122.20	117.00	24.00	2.60
BR123-117-12.8	123.00	117.00	12.80	3.00
BR125-115-15	125.00	115.00	15.00	5.00
BR125-117-7.9	125.00	117.00	7.90	4.00
BR125-117-9.7	125.00	117.00	9.70	4.00
BR125-117-19.7	125.00	117.00	19.70	4.00
BR125-117-24.3	125.00	117.00	24.30	4.00
BR125-118-17	125.00	118.00	17.00	3.50
BR125-119-9.7	125.00	119.00	9.70	3.00
BR125-119-13	125.00	119.00	13.00	3.00
BR125-119-15	125.00	119.00	15.00	3.00
BR125-119-19.2	125.00	119.00	19.20	3.00
BR125-119-20	125.00	119.00	20.00	3.00
BR125-119-47	125.00	119.00	47.00	3.00
BR125-120-8.1	125.00	120.00	8.10	2.50
BR125-120-9.7	125.00	120.00	9.70	2.50
BR125-120-15	125.00	120.00	15.00	2.50
BR125-120-20	125.00	120.00	20.00	2.50
BR125-120-25	125.00	120.00	25.00	2.50

* Nominal Dimensions

Fluid Power

The Hydraulic Seal Specialists

BR

Metric Bearing Ring

Part Number	*ØD1	*Ød1	*L1	c/s
BR125-120-70	125.00	120.00	70.00	2.50
BR126-120-13	126.00	120.00	13.00	3.00
BR130-120-10	130.00	120.00	10.00	5.00
BR130-120-15	130.00	120.00	15.00	5.00
BR130-122-7.9	130.00	122.00	7.90	4.00
BR130-122-9.7	130.00	122.00	9.70	4.00
BR130-123-9.9	130.00	123.00	9.90	3.50
BR130-123-15	130.00	123.00	15.00	3.50
BR130-123-30	130.00	123.00	30.00	3.50
BR130-123-40	130.00	123.00	40.00	3.50
BR130-124-13	130.00	124.00	13.00	3.00
BR130-124-25	130.00	124.00	25.00	3.00
BR130-124-30	130.00	124.00	30.00	3.00
BR130-124.3-12.3	130.00	124.30	12.30	2.85
BR130-125-8.1	130.00	125.00	8.10	2.50
BR130-125-9.7	130.00	125.00	9.70	2.50
BR130-125-15	130.00	125.00	15.00	2.50
BR130-125-25	130.00	125.00	25.00	2.50
BR131-125-13	131.00	125.00	13.00	3.00
BR131-125-50	131.00	125.00	50.00	3.00
BR132.2-127-24	132.20	127.00	24.00	2.60
BR135-125-10	135.00	125.00	10.00	5.00
BR135-125-15	135.00	125.00	15.00	5.00
BR135-127-7.9	135.00	127.00	7.90	4.00
BR135-127-9.7	135.00	127.00	9.70	4.00
BR135-128-10	135.00	128.00	10.00	3.50
BR135-128-15	135.00	128.00	15.00	3.50
BR135-127-25	135.00	128.00	25.00	3.50
BR135-129-13	135.00	129.00	13.00	3.00
BR135-129-19.2	135.00	129.00	19.20	3.00
BR135-130-8.1	135.00	130.00	8.10	2.50
BR135-130-9.7	135.00	130.00	9.70	2.50
BR135-130-15	135.00	130.00	15.00	2.50
BR135-130-25	135.00	130.00	25.00	2.50
BR135-130-70	135.00	130.00	70.00	2.50
BR136-130-13	136.00	130.00	13.00	3.00
BR140-128-12.8	140.00	128.00	12.50	6.00
BR140-128-17.5	140.00	128.00	17.50	6.00
BR140-132-7.9	140.00	132.00	7.90	4.00
BR140-132-9.7	140.00	132.00	9.70	4.00

491 * Nominal Dimensions

Fluid Power

The Hydraulic Seal Specialists

BR

Metric Bearing Ring

Part Number	*ØD1	*Ød1	*L1	c/s
BR140-132-20	140.00	132.00	20.00	4.00
BR140-133-9.9	140.00	133.00	9.90	3.50
BR140-133-15	140.00	133.00	15.00	3.50
BR140-133-17.5	140.00	133.00	17.50	3.50
BR140-133-20	140.00	133.00	20.00	3.50
BR140-133-35	140.00	133.00	35.00	3.50
BR140-133-40	140.00	133.00	40.00	3.50
BR140-133-45	140.00	133.00	45.00	3.50
BR140-134-13	140.00	134.00	13.00	3.00
BR140-134-24.7	140.00	134.00	24.70	3.00
BR140-134-30	140.00	134.00	30.00	3.00
BR140-134-50	140.00	134.00	50.00	3.00
BR140-135-5.6	140.00	135.00	5.60	2.50
BR140-135-8.1	140.00	135.00	8.10	2.50
BR140-135-9.7	140.00	135.00	9.70	2.50
BR140-135-15	140.00	135.00	15.00	2.50
BR140-136-15	140.00	136.00	15.00	2.00
BR141.2-136-24	141.20	136.00	24.00	2.60
BR145-133-12.2	145.00	133.00	12.20	6.00
BR145-137-7.9	145.00	137.00	7.90	4.00
BR145-137-9.7	145.00	137.00	9.70	4.00
BR145-138-9.7	145.00	138.00	9.70	3.50
BR145-138-15	145.00	138.00	15.00	3.50
BR145-138-20	145.00	138.00	20.00	3.50
BR145-139-13	145.00	139.00	13.00	3.00
BR145-139-19.2	145.00	139.00	19.20	3.00
BR145-140-9.7	145.00	140.00	9.70	2.50
BR145-140-15	145.00	140.00	15.00	2.50
BR145-140-25	145.00	140.00	25.00	2.50
BR145-140-29.5	145.00	140.00	29.50	2.50
BR145-140-85	145.00	140.00	85.00	2.50
BR146-140-13	146.00	140.00	13.00	3.00
BR146-140-25	146.00	140.00	25.00	3.00
BR146-140-40	146.00	140.00	40.00	3.00
BR150-138-12.2	150.00	138.00	12.20	6.00
BR150-138-17.5	150.00	138.00	17.50	6.00
BR150-142-8.1	150.00	142.00	8.10	4.00
BR150-142-9.7	150.00	142.00	9.70	4.00
BR150-142-24.6	150.00	142.00	24.60	4.00
BR150-143-15	150.00	143.00	15.00	3.50

* Nominal Dimensions

Fluid Power

The Hydraulic Seal Specialists

BR

Metric Bearing Ring

Part Number	*ØD1	*Ød1	*L1	c/s
BR150-143-20	150.00	143.00	20.00	3.50
BR150-143-25	150.00	143.00	25.00	3.50
BR150-143-35	150.00	143.00	35.00	3.50
BR150-143-45	150.00	143.00	45.00	3.50
BR150-144-13	150.00	144.00	13.00	3.00
BR150-144-19.2	150.00	144.00	19.20	3.00
BR150-144-40	150.00	144.00	40.00	3.00
BR150-145-9.7	150.00	145.00	9.70	2.50
BR150-145-12.5	150.00	145.00	12.50	2.50
BR150-145-15	150.00	145.00	15.00	2.50
BR150-145-20	150.00	145.00	20.00	2.50
BR150-146-20	150.00	146.00	20.00	2.00
BR151-145-13	151.00	145.00	13.00	3.00
BR152.2-147-24	152.20	147.00	24.00	2.60
BR155-149-19.2	155.00	149.00	19.20	3.00
BR155-150-9.7	155.00	150.00	9.70	2.50
BR155-150-15	155.00	150.00	15.00	2.50
BR156-150-13	156.00	150.00	13.00	3.00
BR160-148-15	160.00	148.00	15.00	6.00
BR160-148-20	160.00	148.00	20.00	6.00
BR160-152-6	160.00	152.00	6.00	4.00
BR106-152-8.9	160.00	152.00	8.90	4.00
BR160-152-9.7	160.00	152.00	9.70	4.00
BR160-153-20	160.00	153.00	20.00	3.50
BR160-153-25	160.00	153.00	25.00	3.50
BR160-153-30	160.00	153.00	30.00	3.50
BR160-153-35	160.00	153.00	35.00	3.50
BR160-153-40	160.00	153.00	40.00	3.50
BR160-153-45	160.00	153.00	45.00	3.50
BR160-154-12.7	160.00	154.00	12.70	3.00
BR160-154-15	160.00	154.00	15.00	3.00
BR160-154-19.2	160.00	154.00	19.20	3.00
BR160-154-30	160.00	154.00	30.00	3.00
BR160-154-35	160.00	154.00	35.00	3.00
BR160-154-50	160.00	154.00	50.00	3.00
BR160-155-9.7	160.00	155.00	9.70	2.50
BR160-155-12.7	160.00	155.00	12.70	2.50
BR160-155-15	160.00	155.00	15.00	2.50
BR160-155-25	160.00	155.00	25.00	2.50
BR160-155-35	160.00	155.00	35.00	2.50

493 * Nominal Dimensions

Fluid Power

The Hydraulic Seal Specialists

BR

Metric Bearing Ring

Part Number	*ØD1	*Ød1	*L1	c/s
BR160.2-155-24	160.20	155.00	24.00	2.60
BR161-155-19.2	161.00	155.00	19.20	3.00
BR165-157-9.7	165.00	157.00	9.70	4.00
BR165-157-15	165.00	157.00	15.00	4.00
BR165-157-30	165.00	157.00	30.00	4.00
BR165-159-9.7	165.00	159.00	9.70	3.00
BR165-159-19.2	165.00	159.00	19.20	3.00
BR165-159-30	165.00	159.00	30.00	3.00
BR165-160-7.6	165.00	160.00	7.60	2.50
BR165-160-15	165.00	160.00	15.00	2.50
BR165-160-20	165.00	160.00	20.00	2.50
BR165-160-25	165.00	160.00	25.00	2.50
BR165-160-99	165.00	160.00	99.00	2.50
BR166-160-12.7	166.00	160.00	12.70	3.00
BR166-160-15	166.00	160.00	15.00	3.00
BR166-160-19.2	166.00	160.00	19.20	3.00
BR170-162-6	170.00	162.00	6.00	4.00
BR170-162-8.9	170.00	162.00	8.90	4.00
BR170-162-15	170.00	162.00	15.00	4.00
BR170-162-25	170.00	162.00	25.00	4.00
BR170-162-50	170.00	162.00	50.00	4.00
BR170-163-15	170.00	163.00	15.00	3.50
BR170-163-30	170.00	163.00	30.00	3.50
BR170-163-40	170.00	163.00	40.00	3.50
BR170-164-9.7	170.00	164.00	9.70	3.00
BR170-164-19.2	170.00	164.00	19.20	3.00
BR170-164-50	170.00	164.00	50.00	3.00
BR170-165-9.7	170.00	165.00	9.70	2.50
BR170-165-15	170.00	165.00	15.00	2.50
BR171-165-19.2	171.00	165.00	19.20	3.00
BR171-165-22	171.00	165.00	22.00	3.00
BR172.2-167-24	172.20	167.00	24.00	2.60
BR175-167-6	175.00	167.00	6.00	4.00
BR175-169-19.2	175.00	169.00	19.20	3.00
BR175-170-25	175.00	170.00	25.00	2.50
BR175-170-110	175.00	170.00	110.00	2.50
BR178-170-25	178.00	170.00	25.00	4.00
BR180-168-22.5	180.00	168.00	22.50	6.00
BR180-172-5.9	180.00	172.00	5.90	4.00
BR180-172-8.9	180.00	172.00	8.90	4.00

* Nominal Dimensions

Fluid Power

The Hydraulic Seal Specialists

BR

Metric Bearing Ring

Part Number	*ØD1	*Ød1	*L1	c/s
BR180-172-9.7	180.00	172.00	9.70	4.00
BR180-172-20	180.00	172.00	20.00	4.00
BR180-172-22	180.00	172.00	22.00	4.00
BR180-172-25	180.00	172.00	25.00	4.00
BR180-172-28.2	180.00	172.00	28.20	4.00
BR180-172-45	180.00	172.00	45.00	4.00
BR180-172-55	180.00	172.00	55.00	4.00
BR180-174-12.8	180.00	174.00	12.80	3.00
BR180-174-15	180.00	174.00	15.00	3.00
BR180-174-18.8	180.00	174.00	18.80	3.00
BR180-174-19.2	180.00	174.00	19.20	3.00
BR180-174-30	180.00	174.00	30.00	3.00
BR180-174-40	180.00	174.00	40.00	3.00
BR180-175-9.7	180.00	175.00	9.70	2.50
BR180-175-15	180.00	175.00	15.00	2.50
BR181.2-176-24	181.20	176.00	24.00	2.60
BR185-173-20	185.00	173.00	20.00	6.00
BR185-173-22.5	185.00	173.00	22.50	6.00
BR185-173-25	185.00	173.00	25.00	6.00
BR185-179-19.2	185.00	179.00	19.20	3.00
BR185-180-110	185.00	180.00	110.00	2.50
BR186-180-19.2	186.00	180.00	19.20	3.00
BR188-180-9.5	188.00	180.00	9.50	4.00
BR190-182-22.5	190.00	182.00	22.50	4.00
BR190-182-25	190.00	182.00	25.00	4.00
BR190-182-55	190.00	182.00	55.00	4.00
BR190-183-30	190.00	183.00	30.00	3.50
BR190-183-45	190.00	183.00	45.00	3.50
BR190-184-15	190.00	184.00	15.00	3.00
BR190-184-19.2	190.00	184.00	19.20	3.00
BR190-185-9.7	190.00	185.00	9.70	2.50
BR190-185-15	190.00	185.00	15.00	2.50
BR192-186-19	192.00	186.00	19.00	3.00
BR193-187-22	193.00	187.00	22.00	3.00
BR200-188-22.5	200.00	188.00	22.50	6.00
BR200-192-9.7	200.00	192.00	9.70	4.00
BR200-192-15	200.00	192.00	15.00	4.00
BR200-192-22	200.00	192.00	22.00	4.00
BR200-192-45	200.00	192.00	45.00	4.00
BR200-193.5-60	200.00	193.50	60.00	3.25

495 * Nominal Dimensions

Fluid Power

The Hydraulic Seal Specialists

BR

Metric Bearing Ring

Part Number	*ØD1	*Ød1	*L1	c/s
BR200-194-12	200.00	194.00	12.00	3.00
BR200-194-19.2	200.00	194.00	19.20	3.00
BR200-194-35	200.00	194.00	35.00	3.00
BR200-194-50	200.00	194.00	50.00	3.00
BR200-195-9.7	200.00	195.00	9.70	2.50
BR200-195-15	200.00	195.00	15.00	2.50
BR200-195-25	200.00	195.00	25.00	2.50
BR200-196-25	200.00	196.00	25.00	2.00
BR205-200-25	205.00	200.00	25.00	2.50
BR205-200-120	205.00	200.00	120.00	2.50
BR206-200-19.2	206.00	200.00	19.20	3.00
BR208-200-40	208.00	200.00	40.00	4.00
BR210-205-9.7	210.00	205.00	9.70	2.50
BR215-209-20	215.00	209.00	20.00	3.00
BR216-210-22	216.00	210.00	22.00	3.00
BR220-208-120	220.00	208.00	120.00	6.00
BR220-213.5-60	220.00	213.50	60.00	3.25
BR220-214-19.2	220.00	214.00	19.20	3.00
BR220-214-60	220.00	214.00	60.00	3.00
BR220-215-9.7	220.00	215.00	9.70	2.50
BR220-215-15	220.00	215.00	15.00	2.50
BR220-215-20	220.00	215.00	20.00	2.50
BR225-213-25	225.00	213.00	25.00	6.00
BR225-217-25	225.00	217.00	25.00	4.00
BR225-217-50	225.00	217.00	50.00	4.00
BR225-219-20	225.00	219.00	20.00	3.00
BR225-220-25	225.00	220.00	25.00	2.50
BR226-220-19.2	226.00	220.00	19.20	3.00
BR230-221-25	230.00	221.00	25.00	4.50
BR230-224-19.2	230.00	224.00	19.20	3.00
BR230-225-15	230.00	225.00	15.00	2.50
BR236-230-31.5	236.00	330.00	31.50	3.00
BR240-234-24.5	240.00	234.00	24.50	3.00
BR240-235-15	240.00	235.00	15.00	2.50
BR250-238-27.5	250.00	238.00	27.50	6.00
BR250-242-9.7	250.00	242.00	9.70	4.00
BR250-242-55	250.00	242.00	55.00	4.00
BR250-244-19.2	250.00	244.00	19.20	3.00
BR250-245-15	250.00	245.00	15.00	2.50
BR250-245-25	250.00	245.00	25.00	2.50

* Nominal Dimensions

Fluid Power

The Hydraulic Seal Specialists

BR

Metric **B**earing **R**ing

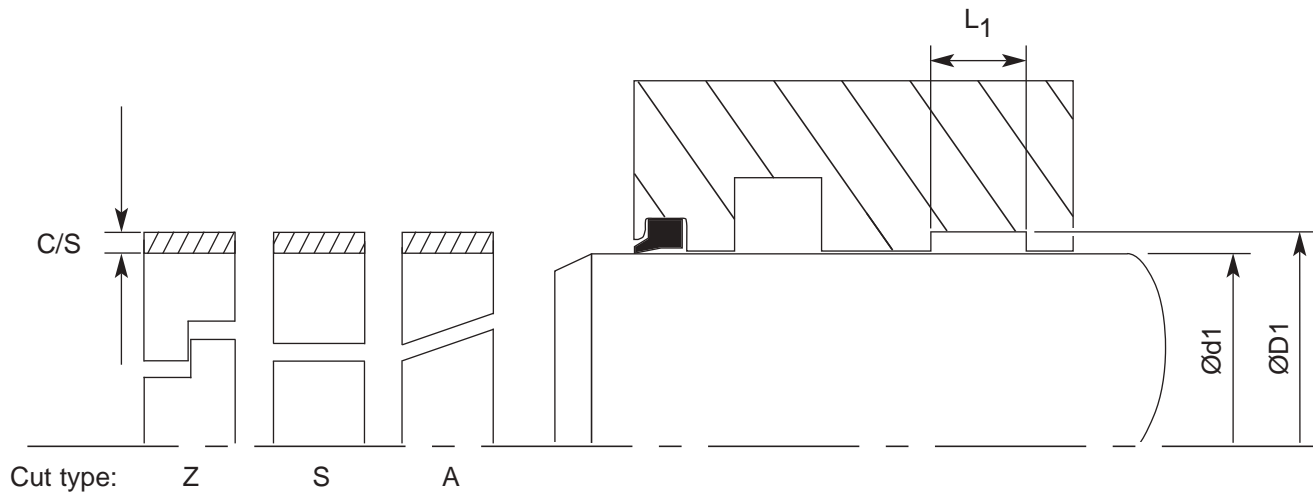
Part Number	*ØD1	*Ød1	*L1	c/s
BR250-245-30	250.00	245.00	30.00	2.50
BR256-250-19.2	256.00	250.00	19.20	3.00
BR260-251-50	260.00	251.00	50.00	4.50
BR260-254-19.2	260.00	254.00	19.20	3.00
BR260-254-30	260.00	254.00	30.00	3.00
BR280-272-25	280.00	272.00	25.00	4.00
BR280-272-60	280.00	272.00	60.00	4.00
BR280-274-19.2	280.00	274.00	19.20	3.00
BR280-275-15	280.00	275.00	15.00	2.50
BR286-280-19.2	286.00	280.00	19.20	3.00
BR290-282-30	290.00	282.00	30.00	4.00
BR290-284-19.2	290.00	284.00	19.20	3.00
BR300-294-19.2	300.00	294.00	19.20	3.00
BR300-295-25	300.00	295.00	25.00	2.50
BR310-304-31.5	310.00	304.00	31.50	3.00
BR355-350-25	355.00	350.00	25.00	2.50

Fluid Power

The Hydraulic Seal Specialists

BR

Imperial Bearing Ring



Tolerances

Tolerances for this range vary greatly and therefore, if you require machining dimensions please contact the FPE sales team.

Operating Conditions

Max Speed	Temp Range
1 m/s	-30° to 110°C

The **BR** is designed for use on both piston and rod applications to prevent metal to metal contact. They are available in either Polyacetal (FPE material ref. -D) ,Glass Filled Polyacetal (FPE material ref. -GF) or Phenolic Resin (FPE material ref. -PH) .

There are three sorts of cut available, A = Angle cut, S = Straight cut and Z = Z cut.

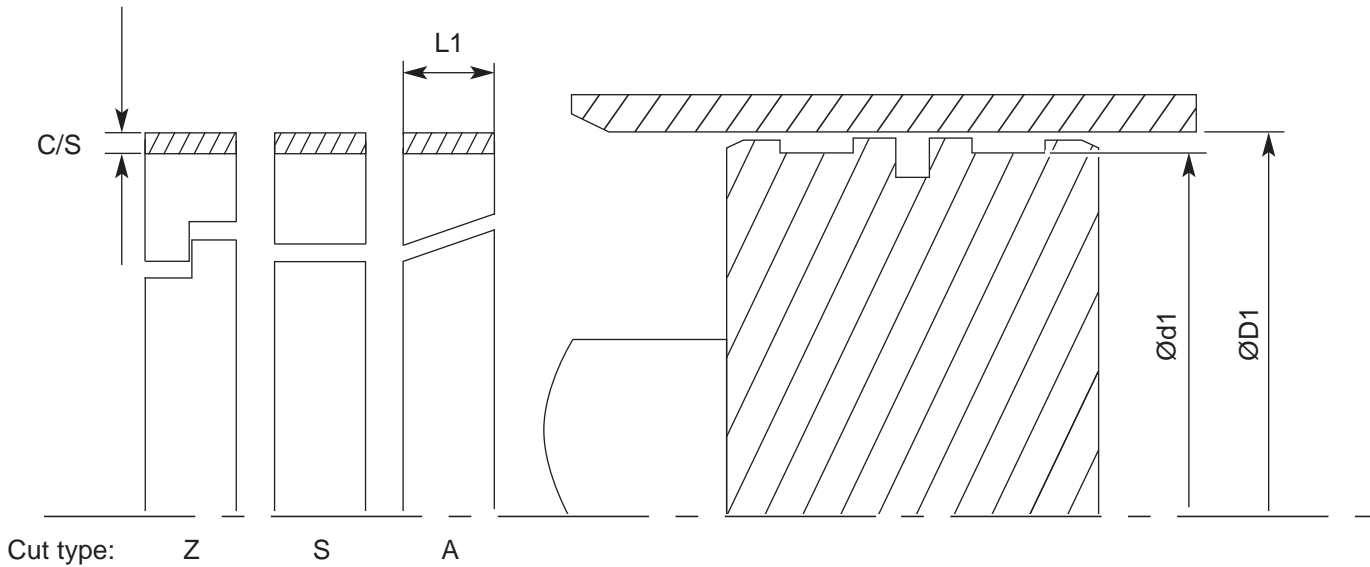
The sizes listed in this catalogue are only a fraction of those available and are listed without the style of cut and material references. Please check with the FPE sales team to ensure you get the cut and material you require.

Fluid Power

The Hydraulic Seal Specialists



BR Imperial Bearing Ring



Tolerances

Tolerances for this range vary greatly and therefore, if you require machining dimensions please contact the FPE sales team.

Operating Conditions

Max Speed	Temp Range
1 m/s	-30° to 110°C

The **BR** is designed for use on both piston and rod applications to prevent metal to metal contact. They are available in either Polyacetal (FPE material ref. -D), Glass Filled Polyacetal (FPE material ref. -GF) or Phenolic Resin (FPE material ref. -PH).

There are three sorts of cut available, A = Angle cut, S = Straight cut and Z = Z cut.

The sizes listed in this catalogue are only a fraction of those available and are listed without the style of cut and material references. Please check with the FPE sales team to ensure you get the cut and material you require.

Fluid Power

The Hydraulic Seal Specialists

BR

Imperial Bearing Ring



Part Number	*ØD1	*Ød1	*L1	c/s
BR112087-037	1.125	0.875	0.375	1/8"
BR112100-050	1.125	1.000	0.500	1/16"
BR123100-039	1.236	1.000	0.393	3mm
BR125100-037	1.250	1.000	0.375	1/8"
BR125100-050	1.250	1.000	0.500	1/8"
BR136112-039	1.361	1.125	0.393	3mm
BR137112-050	1.375	1.125	0.500	1/8"
BR137125-050	1.375	1.250	0.500	1/16"
BR150125-012	1.500	1.250	0.125	1/8"
BR150125-025	1.500	1.250	0.250	1/8"
BR150125-037	1.500	1.250	0.375	1/8"
BR150125-050	1.500	1.250	0.500	1/8"
BR150125-062	1.500	1.250	0.625	1/8"
BR150125-100	1.500	1.250	1.000	1/8"
BR150126-039	1.500	1.264	0.393	3mm
BR150131-056	1.500	1.312	0.562	3/32"
BR154137-075	1.540	1.375	0.750	2.1mm
BR162137-050	1.625	1.375	0.500	1/8"
BR162150-100	1.625	1.500	1.000	1/16"
BR162150-125	1.625	1.500	1.250	1/16"
BR166150-062	1.660	1.500	0.625	2.1mm
BR168150-018	1.687	1.500	0.187	3/32"
BR175150-037	1.750	1.500	0.375	1/8"
BR175150-050	1.750	1.500	0.500	1/8"
BR175150-062	1.750	1.500	0.625	1/8"
BR175150-075	1.750	1.500	0.750	1/8"
BR175150-100	1.750	1.500	1.000	1/8"
BR175151-039	1.750	1.514	0.393	3mm
BR187162-050	1.875	1.625	0.500	1/8"
BR187162-075	1.875	1.625	0.750	1/8"
BR187175-100	1.875	1.750	1.000	1/16"
BR198175-051	1.986	1.750	0.512	3mm
BR200175-016	2.000	1.750	0.165	1/8"
BR200175-025	2.000	1.750	0.250	1/8"
BR200175-037	2.000	1.750	0.375	1/8"
BR200175-050	2.000	1.750	0.500	1/8"
BR200175-062	2.000	1.750	0.625	1/8"
BR200175-075	2.000	1.750	0.750	1/8"
BR200175-100	2.000	1.750	1.000	1/8"
BR200175-150	2.000	1.750	1.500	1/8"

* Nominal Dimensions

Fluid Power

The Hydraulic Seal Specialists



BR Imperial Bearing Ring

Part Number	*ØD1	*Ød1	*L1	c/s
BR200176-039	2.000	1.764	0.393	3mm
BR200176-051	2.000	1.764	0.512	3mm
BR200181-037	2.000	1.814	0.375	3/32"
BR200187-100	2.000	1.875	1.000	1/16"
BR212187-037	2.125	1.875	0.375	1/8"
BR212187-050	2.125	1.875	0.500	1/8"
BR212187-075	2.125	1.875	0.750	1/8"
BR212200-072	2.125	2.000	0.720	1/16"
BR212200-098	2.125	2.000	0.980	1/16"
BR212200-125	2.125	2.000	1.250	1/16"
BR218193-026	2.188	1.938	0.265	1/8"
BR223200-051	2.236	2.000	0.512	3mm
BR225200-031	2.250	2.000	0.312	1/8"
BR225200-037	2.250	2.000	0.375	1/8"
BR225200-050	2.250	2.000	0.500	1/8"
BR225200-062	2.250	2.000	0.625	1/8"
BR225200-075	2.250	2.000	0.750	1/8"
BR225200-087	2.250	2.000	0.875	1/8"
BR225200-100	2.250	2.000	1.000	1/8"
BR225200-150	2.250	2.000	1.500	1/8"
BR225212-036	2.250	2.125	0.360	1/16"
BR225212-072	2.250	2.125	0.720	1/16"
BR225212-098	2.250	2.125	0.980	1/16"
BR231206-037	2.312	2.062	0.375	1/8"
BR237212-050	2.375	2.125	0.500	1/8"
BR237212-075	2.375	2.125	0.750	1/8"
BR237225-100	2.375	2.250	1.000	1/16"
BR237225-118	2.375	2.250	1.187	1/16"
BR237225-148	2.375	2.250	1.480	1-16"
BR248225-051	2.486	2.250	0.512	3mm
BR250225-016	2.500	2.250	0.160	1/8"
BR250225-018	2.500	2.250	0.187	1/8"
BR250225-025	2.500	2.250	0.250	1/8"
BR250225-031	2.500	2.250	0.312	1/8"
BR250225-037	2.500	2.250	0.375	1/8"
BR250225-050	2.500	2.250	0.500	1/8"
BR250225-062	2.500	2.250	0.625	1/8"
BR250225-075	2.500	2.250	0.750	1/8"
BR250225-087	2.500	2.250	0.875	1/8"
BR250225-100	2.500	2.250	1.000	1/8"

501 * Nominal Dimensions

Fluid Power

The Hydraulic Seal Specialists

BR

Imperial Bearing Ring



Part Number	*ØD1	*Ød1	*L1	c/s
BR250226-051	2.500	2.264	0.512	3mm
BR250231-037	2.500	2.312	0.375	3/32"
BR250237-126	2.500	2.375	1.260	1/16"
BR262237-062	2.625	2.375	0.625	1/8"
BR262237-075	2.625	2.375	0.750	1/8"
BR262238-051	2.625	2.389	0.512	3mm
BR262250-073	2.625	2.500	0.730	1/16"
BR262250-098	2.625	2.500	0.981	1/16"
BR262250-125	2.625	2.500	1.250	1/16"
BR262250-148	2.625	2.500	1.480	1/16"
BR262250-168	2.625	2.500	1.688	1/16"
BR273250-051	2.736	2.500	0.512	3mm
BR275250-031	2.750	2.500	0.312	1/8"
BR275250-037	2.750	2.500	0.375	1/8"
BR275250-050	2.750	2.500	0.500	1/8"
BR275250-062	2.750	2.500	0.625	1/8"
BR275250-075	2.750	2.500	0.750	1/8"
BR275250-093	2.750	2.500	0.937	1/8"
BR275250-100	2.750	2.500	1.000	1/8"
BR275250-150	2.750	2.500	1.500	1/8"
BR275251-051	2.750	2.514	0.512	3mm
BR287262-050	2.875	2.625	0.500	1/8"
BR287262-075	2.875	2.625	0.750	1/8"
BR287262-100	2.875	2.625	1.000	1/8"
BR287275-100	2.875	2.750	1.000	1/16"
BR287275-126	2.875	2.750	1.260	1/16"
BR287275-156	2.875	2.750	1.562	1/16"
BR287275-181	2.875	2.750	1.812	1/16"
BR295275-196	2.950	2.750	1.960	2.5mm
BR300262-087	3.000	2.625	0.875	3/16"
BR300275-016	3.000	2.750	0.160	1/8"
BR300275-025	3.000	2.750	0.250	1/8"
BR300275-031	3.000	2.750	0.312	1/8"
BR300275-037	3.000	2.750	0.375	1/8"
BR300275-050	3.000	2.750	0.500	1/8"
BR300275-062	3.000	2.750	0.625	1/8"
BR300275-075	3.000	2.750	0.750	1/8"
BR300275-100	3.000	2.750	1.000	1/8"
BR300275-124	3.000	2.750	1.245	1/8"
BR300276-051	3.000	2.764	0.512	3mm

* Nominal Dimensions

Fluid Power

The Hydraulic Seal Specialists



BR Imperial Bearing Ring

Part Number	*ØD1	*Ød1	*L1	c/s
BR312275-100	3.125	2.750	1.000	3/16"
BR312287-050	3.125	2.875	0.500	1/8"
BR312300-098	3.125	3.000	0.980	1/16"
BR312300-125	3.125	3.000	1.250	1/16"
BR312300-156	3.125	3.000	1.562	1/16"
BR312300-165	3.125	3.000	1.650	1/16"
BR320300-117	3.200	3.000	1.170	2.5mm
BR323300-051	3.236	3.000	0.512	3mm
BR325300-025	3.250	3.000	0.250	1/8"
BR325300-037	3.250	3.000	0.375	1/8"
BR325300-050	3.250	3.000	0.500	1/8"
BR325300-062	3.250	3.000	0.625	1/8"
BR325300-075	3.250	3.000	0.750	1/8"
BR325300-100	3.250	3.000	1.000	1/8"
BR325300-112	3.250	3.000	1.115	1/8"
BR325300-125	3.250	3.000	1.250	1/8"
BR325300-150	3.250	3.000	1.500	1/8"
BR325300-155	3.250	3.000	1.555	1/8"
BR325300-162	3.250	3.000	1.625	1/8"
BR325300-200	3.250	3.000	2.000	1/8"
BR325300-212	3.250	3.000	2.125	1/8"
BR325301-051	3.250	3.014	0.512	3mm
BR325306-037	3.250	3.062	0.375	3/32"
BR325312-050	3.250	3.125	0.500	1/16"
BR331312-062	3.312	3.125	0.625	3/32"
BR337312-075	3.375	3.125	0.750	1/8"
BR337325-174	3.375	3.250	1.740	1/16"
BR345325-162	3.450	3.250	1.625	2.5mm
BR345325-196	3.450	3.250	1.960	2.5mm
BR345325-274	3.450	3.250	2.740	2.5mm
BR350312-050	3.500	3.125	0.500	3/16"
BR350312-100	3.500	3.125	1.000	3/16"
BR350325-016	3.500	3.250	0.160	1/8"
BR350325-025	3.500	3.250	0.250	1/8"
BR350325-037	3.500	3.250	0.375	1/8"
BR350325-043	3.500	3.250	0.437	1/8"
BR350325-050	3.500	3.250	0.500	1/8"
BR350325-062	3.500	3.250	0.625	1/8"
BR350325-075	3.500	3.250	0.750	1/8"
BR350325-087	3.500	3.250	0.875	1/8"

503 * Nominal Dimensions

Fluid Power

The Hydraulic Seal Specialists

BR

Imperial Bearing Ring



Part Number	*ØD1	*Ød1	*L1	c/s
BR350325-100	3.500	3.250	1.000	1/8"
BR350325-112	3.500	3.250	1.125	1/8"
BR350325-150	3.500	3.250	1.500	1/8"
BR350326-051	3.500	3.264	0.512	3mm
BR362337-075	3.625	3.375	0.750	1/8"
BR362337-100	3.625	3.375	1.000	1/8"
BR362350-106	3.625	3.500	1.062	1/16"
BR362350-187	3.625	3.500	1.875	1/16"
BR370350-176	3.700	3.500	1.760	2.5mm
BR370350-188	3.700	3.500	1.88	2.5mm
BR370350-236	3.700	3.500	2.360	2.5mm
BR375350-037	3.750	3.500	0.375	1/8"
BR375350-050	3.750	3.500	0.500	1/8"
BR375350-062	3.750	3.500	0.625	1/8"
BR375350-075	3.750	3.500	0.750	1/8"
BR375350-100	3.750	3.500	1.000	1/8"
BR375350-124	3.750	3.500	1.240	1/8"
BR375350-125	3.750	3.500	1.250	1/8"
BR375350-149	3.750	3.500	1.495	1/8"
BR375350-199	3.750	3.500	1.995	1/8"
BR375351-051	3.750	3.514	0.512	3mm
BR387350-262	3.875	3.500	2.625	3/16"
BR387362-025	3.875	3.625	0.250	1/8"
BR387362-075	3.875	3.625	0.750	1/8"
BR387362-100	3.875	3.625	1.000	1/8"
BR387375-156	3.875	3.750	1.562	1/16"
BR400375-031	4.000	3.750	0.312	1/8"
BR400375-037	4.000	3.750	0.375	1/8"
BR400375-050	4.000	3.750	0.500	1/8"
BR400375-062	4.000	3.750	0.625	1/8"
BR400375-075	4.000	3.750	0.750	1/8"
BR400375-100	4.000	3.750	1.000	1/8"
BR400375-125	4.000	3.750	1.250	1/8"
BR400375-150	4.000	3.750	1.500	1/8"
BR400376-051	4.000	3.764	0.512	3mm
BR400387-056	4.000	3.875	0.562	1/16"
BR420400-156	4.200	4.000	1.562	2.5mm
BR420400-255	4.200	4.000	2.555	2.5mm
BR423400-051	4.236	4.000	0.512	3mm
BR425350-250	4.250	3.500	2.500	5/8"

* Nominal Dimensions

Fluid Power

The Hydraulic Seal Specialists



BR Imperial Bearing Ring

Part Number	*ØD1	*Ød1	*L1	c/s
BR425400-025	4.250	4.000	0.250	1/8"
BR425400-037	4.250	4.000	0.375	1/8"
BR425400-050	4.250	4.000	0.500	1/8"
BR425400-062	4.250	4.000	0.625	1/8"
BR425400-075	4.250	4.000	0.750	1/8"
BR425400-100	4.250	4.000	0.100	1/8"
BR425400-125	4.250	4.000	1.250	1/8"
BR425400-149	4.250	4.000	1.495	1/8"
BR425400-188	4.250	4.000	1.885	1/8"
BR425400-250	4.250	4.000	2.500	1/8"
BR426401-249	4.260	4.010	2.495	1/8"
BR445425-237	4.450	4.250	2.375	2.5mm
BR450424-075	4.500	4.240	0.750	3.25mm
BR450425-037	4.500	4.250	0.375	1/8"
BR450425-050	4.500	4.250	0.500	1/8"
BR450425-062	4.500	4.250	0.625	1/8"
BR450425-075	4.500	4.250	0.750	1/8"
BR450425-087	4.500	4.250	0.875	1/8"
BR450425-093	4.500	4.250	0.937	1/8"
BR450425-100	4.500	4.250	1.000	1/8"
BR450425-150	4.500	4.250	1.500	1/8"
BR450425-186	4.500	4.250	1.865	1/8"
BR450425-236	4.500	4.250	2.365	1/8"
BR450426-051	4.500	4.264	0.512	3mm
BR450437-058	4.500	4.375	0.581	1/16"
BR461437-051	4.611	4.375	0.512	3mm
BR473450-051	4.736	4.500	0.512	3mm
BR475450-050	4.750	4.500	0.500	1/8"
BR475450-062	4.750	4.500	0.625	1/8"
BR475450-075	4.750	4.500	0.750	1/8"
BR475450-100	4.750	4.500	1.000	1/8"
BR475450-125	4.750	4.500	1.250	1/8"
BR475450-156	4.750	4.500	1.563	1/8"
BR475450-164	4.750	4.500	1.640	1/8"
BR475450-199	4.750	4.500	1.995	1/8"
BR475450-350	4.750	4.500	3.500	1/8"
BR475451-051	4.750	4.514	0.512	3mm
BR487450-150	4.875	4.500	1.500	3/16"
BR498475-051	4.986	4.750	0.512	3mm
BR500462-062	5.000	4.625	0.625	3/16"

505 * Nominal Dimensions

Fluid Power

The Hydraulic Seal Specialists

BR

Imperial Bearing Ring



Part Number	*ØD1	*Ød1	*L1	c/s
BR500462-118	5.000	4.625	1.187	3/16"
BR500475-025	5.000	4.750	0.250	1/8"
BR500475-037	5.000	4.750	0.375	1/8"
BR500475-050	5.000	4.750	0.500	1/8"
BR500475-062	5.000	4.750	0.625	1/8"
BR500475-075	5.000	4.750	0.750	1/8"
BR500475-100	5.000	4.750	1.000	1/8"
BR500475-112	5.000	4.750	1.125	1/8"
BR500475-124	5.000	4.750	1.245	1/8"
BR500475-155	5.000	4.750	1.555	1/8"
BR500475-175	5.000	4.750	1.750	1/8"
BR500476-051	5.000	4.764	0.512	3mm
BR520500-250	5.200	5.000	2.500	2.5mm
BR523500-051	5.236	5.000	0.512	3mm
BR525500-037	5.250	5.000	0.375	1/8"
BR525500-050	5.250	5.000	0.500	1/8"
BR525500-062	5.250	5.000	0.625	1/8"
BR525500-075	5.250	5.000	0.750	1/8"
BR525500-100	5.250	5.000	1.000	1/8"
BR525500-102	5.250	5.000	1.020	1/8"
BR525500-125	5.250	5.000	1.250	1/8"
BR525500-149	5.250	5.000	1.490	1/8"
BR525500-200	5.250	5.000	2.000	1/8"
BR525500-361	5.250	5.000	3.615	1/8"
BR545525-249	5.450	5.250	2.490	2.5mm
BR550512-174	5.500	5.125	1.740	3/16"
BR550525-037	5.500	5.250	0.375	1/8"
BR550525-050	5.500	5.250	0.500	1/8"
BR550525-062	5.500	5.250	0.625	1/8"
BR550525-075	5.500	5.250	0.750	1/8"
BR550525-100	5.500	5.250	1.000	1/8"
BR550525-125	5.500	5.250	1.250	1/8"
BR550525-137	5.500	5.250	1.375	1/8"
BR550525-161	5.500	5.250	1.619	1/8"
BR550525-175	5.500	5.250	1.750	1/8"
BR550525-199	5.500	5.250	1.995	1/8"
BR550525-224	5.500	5.250	2.245	1/8"
BR550526-051	5.500	5.264	0.512	3mm
BR550537-056	5.500	5.375	0.562	1/16"
BR573550-051	5.736	5.500	0.512	3mm

* Nominal Dimensions

Fluid Power

The Hydraulic Seal Specialists



BR Imperial Bearing Ring

Part Number	*ØD1	*Ød1	*L1	c/s
BR575550-050	5.750	5.500	0.500	1/8"
BR575550-062	5.750	5.500	0.625	1/8"
BR575550-075	5.750	5.500	0.750	1/8"
BR575550-100	5.750	5.500	1.000	1/8"
BR575500-150	5.750	5.500	1.500	1/8"
BR575550-162	5.750	5.500	1.625	1/8"
BR575550-175	5.750	5.500	1.750	1/8"
BR575550-199	5.750	5.500	1.995	1/8"
BR575550-236	5.750	5.500	2.365	1/8"
BR600561-064	6.000	5.618	0.637	4.85mm
BR600562-274	6.000	5.625	2.740	3/16"
BR600575-037	6.000	5.750	0.375	1/8"
BR600575-050	6.000	5.750	0.500	1/8"
BR600575-062	6.000	5.750	0.625	1/8"
BR600575-075	6.000	5.750	0.750	1/8"
BR600575-100	6.000	5.750	1.000	1/8"
BR600575-107	6.000	5.750	1.075	1/8"
BR600575-125	6.000	5.750	1.250	1/8"
BR600575-131	6.000	5.750	1.312	1/8"
BR600575-150	6.000	5.750	1.500	1/8"
BR600575-175	6.000	5.750	1.750	1/8"
BR600575-200	6.000	5.750	2.000	1/8"
BR600575-286	6.000	5.750	2.865	1/8"
BR600575-362	6.000	5.750	3.625	1/8"
BR600576-051	6.000	5.764	0.512	3mm
BR623600-051	6.236	6.000	0.512	3mm
BR625600-050	6.250	6.000	0.500	1/8"
BR625600-075	6.250	6.000	0.750	1/8"
BR625600-100	6.250	6.000	1.000	1/8"
BR625600-149	6.250	6.000	1.490	1/8"
BR625600-150	6.250	6.000	1.500	1/8"
BR625600-175	6.250	6.000	1.750	1/8"
BR625600-200	6.250	6.000	2.000	1/8"
BR625600-274	6.250	6.000	2.740	1/8"
BR650625-050	6.500	6.250	0.500	1/8"
BR650625-062	6.500	6.250	0.625	1/8"
BR650625-075	6.500	6.250	0.750	1/8"
BR650625-100	6.500	6.250	1.000	1/8"
BR650625-125	6.500	6.250	1.250	1/8"
BR650625-137	6.500	6.250	1.375	1/8"

507 * Nominal Dimensions

Fluid Power

The Hydraulic Seal Specialists

BR

Imperial Bearing Ring



Part Number	*ØD1	*Ød1	*L1	c/s
BR650625-150	6.500	6.250	1.500	1/8"
BR650625-174	6.500	6.250	1.740	1/8"
BR650625-200	6.500	6.250	2.000	1/8"
BR650625-274	6.500	6.250	2.740	1/8"
BR650625-286	6.500	6.250	2.860	1/8"
BR650626-076	6.500	6.264	0.768	3mm
BR675650-075	6.750	6.500	0.750	1/8"
BR675650-100	6.750	6.500	1.000	1/8"
BR675650-150	6.750	6.500	1.500	1/8"
BR676651-125	6.760	6.510	1.250	1/8"
BR698675-076	6.986	6.750	0.768	3mm
BR700675-050	7.000	6.750	0.500	1/8"
BR700675-062	7.000	6.750	0.625	1/8"
BR700675-068	7.000	6.750	0.687	1/8"
BR700675-075	7.000	6.750	0.750	1/8"
BR700675-100	7.000	6.750	1.000	1/8"
BR700675-150	7.000	6.750	1.500	1/8"
BR700675-174	7.000	6.750	1.740	1/8"
BR700675-199	7.000	6.750	1.995	1/8"
BR700675-312	7.000	6.750	3.125	1/8"
BR700676-076	7.000	6.760	0.768	3mm
BR720700-314	7.200	7.000	3.142	2.5mm
BR725700-050	7.250	7.000	0.500	1/8"
BR725700-062	7.250	7.000	0.625	1/8"
BR725700-075	7.250	7.000	0.750	1/8"
BR725700-100	7.250	7.000	1.000	1/8"
BR725700-139	7.250	7.000	1.390	1/8"
BR725700-200	7.250	7.000	2.000	1/8"
BR725700-710	7.250	7.000	7.100	1/8"
BR725701-076	7.250	7.014	0.768	3mm
BR737700-161	7.375	7.000	1.612	3/16"
BR737700-700	7.375	7.000	7.000	3/16"
BR750725-050	7.500	7.250	0.500	1/8"
BR750725-062	7.500	7.250	0.625	1/8"
BR750725-075	7.500	7.250	0.750	1/8"
BR750725-100	7.500	7.250	1.000	1/8"
BR750725-150	7.500	7.250	1.500	1/8"
BR750725-237	7.500	7.250	2.365	1/8"
BR750725-250	7.500	7.250	2.500	1/8"
BR750725-295	7.500	7.250	2.950	1/8"

* Nominal Dimensions

Fluid Power

The Hydraulic Seal Specialists



BR

Imperial Bearing Ring

Part Number	*ØD1	*Ød1	*L1	c/s
BR775750-050	7.750	7.500	0.500	1/8"
BR775750-199	7.750	7.500	1.995	1/8"
BR775750-349	7.750	7.500	3.490	1/8"
BR800775-050	8.000	7.750	0.500	1/8"
BR800775-062	8.000	7.750	0.625	1/8"
BR800775-075	8.000	7.750	0.750	1/8"
BR800775-087	8.000	7.750	0.875	1/8"
BR800775-100	8.000	7.750	1.000	1/8"
BR800775-146	8.000	7.750	1.460	1/8"
BR800775-200	8.000	7.750	2.000	1/8"
BR800775-500	8.000	7.750	5.000	1/8"
BR800776-076	8.000	7.764	0.768	3mm
BR825787-199	8.250	7.875	1.993	3/16"
BR825800-075	8.250	8.000	0.750	1/8"
BR825800-100	8.250	8.000	1.000	1/8"
BR825800-125	8.250	8.000	1.250	1/8"
BR825800-150	8.250	8.000	1.500	1/8"
BR825800-175	8.250	8.000	1.750	1/8"
BR825800-212	8.250	8.000	2.125	1/8"
BR825800-225	8.250	8.000	2.250	1/8"
BR825800-249	8.250	8.000	2.490	1/8"
BR825800-274	8.250	8.000	2.740	1/8"
BR825800-411	8.250	8.000	4.115	1/8"
BR850812-424	8.500	8.125	4.240	3/16"
BR850825-050	8.500	8.250	0.500	1/8"
BR850825-062	8.500	8.250	0.625	1/8"
BR850825-075	8.500	8.250	0.750	1/8"
BR850825-100	8.500	8.250	1.000	1/8"
BR850825-150	8.500	8.250	1.500	1/8"
BR850825-236	8.500	8.250	2.365	1/8"
BR850825-300	8.500	8.250	3.000	1/8"
BR862837-050	8.625	8.375	0.500	1/8"
BR875850-100	8.750	8.500	1.000	1/8"
BR900875-050	9.000	8.750	0.500	1/8"
BR900875-075	9.000	8.750	0.750	1/8"
BR900875-100	9.000	8.750	1.000	1/8"
BR900875-150	9.000	8.750	1.500	1/8"
BR925900-175	9.250	9.000	1.750	1/8"
BR925900-225	9.250	9.000	2.250	1/8"
BR937900-1200	9.375	9.000	12.000	3/16"

509 * Nominal Dimensions

Fluid Power

The Hydraulic Seal Specialists

BR

Imperial Bearing Ring



Part Number	*ØD1	*Ød1	*L1	c/s
BR950925-062	9.500	9.250	0.625	1/8"
BR950925-075	9.500	9.250	0.750	1/8"
BR950925-100	9.500	9.250	1.000	1/8"
BR950926-076	9.500	9.264	0.768	3mm
BR975950-050	9.750	9.500	0.500	1/8"
BR975950-075	9.750	9.500	0.750	1/8"
BR1000975-050	10.000	9.750	0.500	1/8"
BR1000975-075	10.000	9.750	0.750	1/8"
BR1000975-100	10.000	9.750	1.000	1/8"
BR1000975-125	10.000	9.750	1.250	1/8"
BR1000975-150	10.000	9.750	1.500	1/8"
BR1000975-175	10.000	9.750	1.750	1/8"
BR1000975-325	10.000	9.750	3.250	1/8"
BR10251000-100	10.250	10.000	1.000	1/8"
BR10501025-100	10.500	10.250	1.000	1/8"
BR10501025-274	10.500	10.250	2.740	1/8"
BR10501025-375	10.500	10.250	3.750	1/8"
BR10501025-400	10.500	10.250	4.000	1/8"
BR10501025-700	10.500	10.250	7.000	1/8"
BR10751050-700	10.750	10.500	7.000	1/8"
BR11001075-050	11.000	10.750	0.500	1/8"
BR11001075-100	11.000	10.750	1.000	1/8"
BR11001075-125	11.000	10.750	1.250	1/8"
BR11001075-187	11.000	10.750	1.875	1/8"
BR11501125-075	11.500	11.250	0.750	1/8"
BR11501125-387	11.500	11.250	3.875	1/8"
BR11751150-700	11.750	11.500	7.000	1/8"
BR12001175-050	12.000	11.750	0.500	1/8"
BR12001175-100	12.000	11.750	1.000	1/8"
BR12001175-125	12.000	11.750	1.250	1/8"
BR13001275-150	13.000	12.750	1.500	1/8"
BR14001375-050	14.000	13.750	0.500	1/8"
BR14001375-100	14.000	13.750	1.000	1/8"
BR14001375-125	14.000	13.750	1.250	1/8"
BR16001575-100	16.000	15.750	1.000	1/8"

* Nominal Dimensions

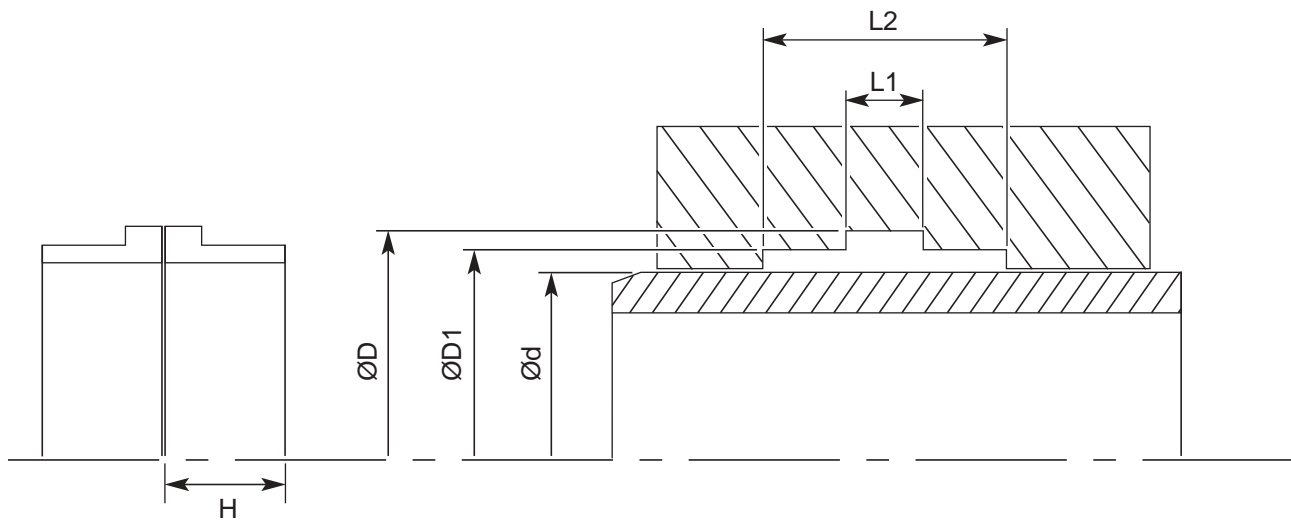
Fluid Power

The Hydraulic Seal Specialists



BR-LI

Bearing Ring L Shaped Inside Working



Tolerances

ØD	ØD1	Ød	L1	L2
+0.10	+0.10	h11	+0.10	+0.15 +0.05

Operating Conditions

Temp Range	-40° to 110°C
------------	---------------

BR-L is an L-shaped wear ring commonly found in telescopic cylinders.
Manufactured in Polyacetal it has excellent wear resistant properties.

Fluid Power

The Hydraulic Seal Specialists

BR-LI

Bearing Ring L Shaped Inside Working



Part Number	*ØD	*Ød	H	*L2	* L1	*ØD1
BR53-45-18LI-D	53.00	45.00	18.00	36.00	8.00	50.00
BR68-60-18LI-D	68.00	60.00	18.00	36.00	8.00	65.00
BR66-55-13LI-D	66.00	55.00	13.00	26.00	10.00	61.00
BR71-60-13LI-D	71.00	60.00	13.00	26.00	10.00	66.00
BR71-60-16LI-D	71.00	60.00	16.00	32.00	10.00	66.00
BR81-70-13LI-D	81.00	70.00	13.00	26.00	10.00	76.00
BR83-75-18LI-D	83.00	75.00	18.00	36.00	8.00	80.00
BR89-78-16LI-D	89.00	78.00	16.00	32.00	10.00	84.00
BR96-85-13LI-D	96.00	85.00	13.00	26.00	10.00	91.00
BR100-92-18LI-D	100.00	92.00	18.00	36.00	8.00	97.00
BR101-90-13LI-D	101.00	90.00	13.00	26.00	10.00	96.00
BR110-99-16LI-D	110.00	99.00	16.00	32.00	10.00	105.00
BR111-100-13LI-D	111.00	100.00	13.00	26.00	10.00	106.00
BR118-110-18LI-D	118.00	110.00	18.00	36.00	8.00	115.00
BR121-110-13LI-D	121.00	110.00	13.00	26.00	10.00	116.00
BR126-115-13LI-D	126.00	115.00	13.00	26.00	10.00	121.00
BR131-120-16LI-D	131.00	120.00	16.00	32.00	10.00	126.00
BR143-132-13LI-D	143.00	132.00	13.00	26.00	10.00	138.00
BR152-141-16LI-D	152.00	141.00	16.00	32.00	10.00	147.00
BR163-152-13LI-D	163.00	152.00	13.00	26.00	10.00	158.00
BR173-162-16LI-D	173.00	162.00	16.00	32.00	10.00	168.00
BR183-172-13LI-D	183.00	172.00	13.00	26.00	10.00	178.00
BR194-183-16LI-D	194.00	183.00	16.00	32.00	10.00	189.00
BR205-194-13LI-D	205.00	194.00	13.00	26.00	10.00	200.00
BR218-207-16LI-D	218.00	207.00	16.00	32.00	10.00	213.00
BR229-218-13LI-D	229.00	218.00	13.00	26.00	10.00	224.00
BR242-237-16LI-D	242.00	237.00	16.00	32.00	10.00	237.00

* Nominal Dimensions

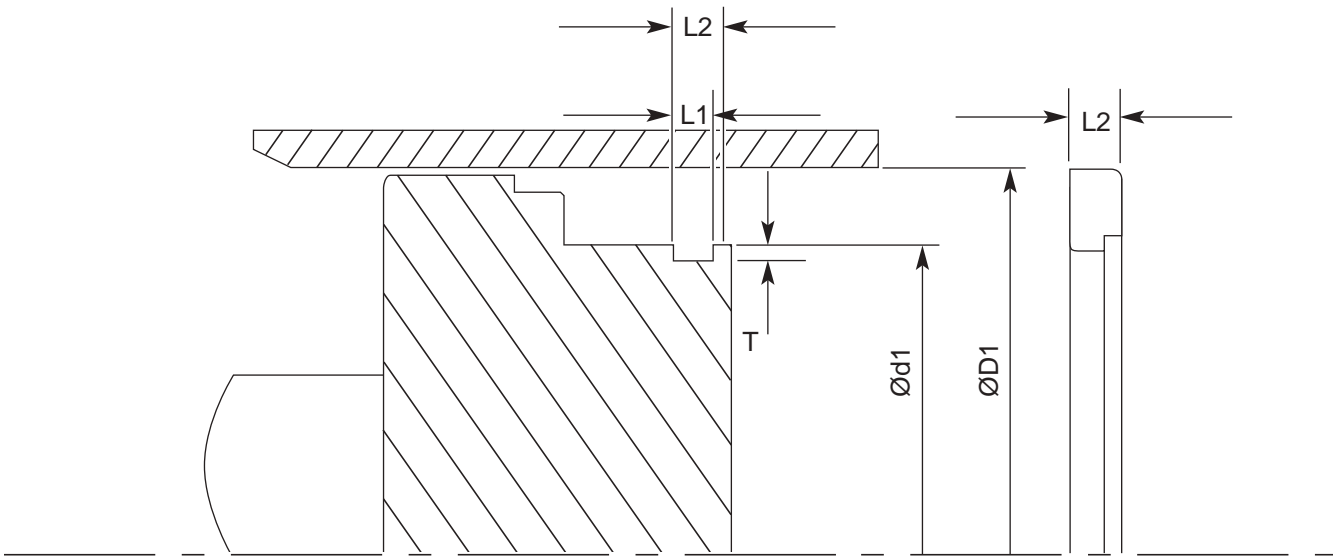
Fluid Power

The Hydraulic Seal Specialists



RR

Metric Piston Working Retaining Ring



Tolerances

ØD1	Ød1	L1	L2	T
Refer to seal section	Refer to seal section	+0.13 -0.00	±0.13	+0.00 -0.13

Operating Conditions

Max Speed	Temp Range
5 m/s	-30° to 100°C

RR is a Polyacetal Retaining Ring designed to retain piston or rod seals depending on the design.
Style RR can be fitted using standard circlip pliers.

Fluid Power

The Hydraulic Seal Specialists

RR

Metric Piston Working Retaining Ring



Part Number	*ØD1	*Ød1	*L1	T	L2
RR32-20-3.1-6-D	32.00	20.00	3.12	2.20	6.00
RR32-22-2.6-5-D	32.00	22.00	2.62	2.10	5.00
RR34-22-2.5-5-D	34.00	22.00	2.50	2.20	5.00
RR35-22-3.1-6-D	35.00	22.00	3.12	2.10	6.00
RR38-25-3.1-6-D	38.00	25.00	3.12	2.10	6.00
RR40-26-3.1-6-D	40.00	26.00	3.12	2.10	6.00
RR40-28-3.1-6-D	40.00	28.00	3.12	2.10	6.00
RR45-30-3.1-6-D	45.00	30.00	3.12	2.10	6.00
RR45-35-3.1-5-D	45.00	35.00	3.12	2.20	5.00
RR50-30-3.3-6.5-D	50.00	30.00	3.30	2.10	6.50
RR50-35-3.3-6.5-D	50.00	35.00	3.30	2.10	6.50
RR50-40-2.6-5-D	50.00	40.00	2.62	2.10	5.00
RR55-40-3.3-6-D	55.00	40.00	3.30	2.10	6.00
RR60-40-3.3-6.5-D	60.00	40.00	3.30	2.10	6.50
RR63-45-3.3-6-D	63.00	45.00	3.30	2.10	6.00
RR63-48-3.3-6-D	63.00	48.00	3.30	2.10	6.00
RR63-50-3.3-6.5-D	63.00	50.00	3.30	2.10	6.50
RR65-45-3.3-6.5-D	65.00	45.00	3.30	2.10	6.50
RR65-50-3.1-6-D	65.00	50.00	3.12	2.10	6.00
RR70-50-3.3-6.5-D	70.00	50.00	3.30	2.10	6.50
RR75-55-3.2-6.5-D	75.00	55.00	3.20	2.10	6.50
RR80-60-3.3-6.5-D	80.00	60.00	3.30	2.10	6.50
RR80-65-3.1-6.5-D	80.00	65.00	3.12	2.10	6.50
RR85-70-3.3-6.5-D	85.00	70.00	3.30	2.10	6.50
RR90-70-3.3-6.5-D	90.00	70.00	3.30	2.10	6.50
RR90-75-3.3-6.5-D	90.00	75.00	3.30	2.10	6.50
RR95-75-3.3-6.5-D	95.00	75.00	3.30	2.10	6.50
RR100-80-3.3-6.5-D	100.00	80.00	3.30	2.10	6.50
RR104.5-85-3.3-6.5-D	104.50	85.00	3.30	2.10	6.50
RR104.5-85-4.5-6.5-D	104.50	85.00	4.50	2.10	6.50
RR105-85-4.6-6.5-D	105.00	85.00	4.60	2.10	6.50
RR110-90-3.3-6.5-D	110.00	90.00	3.30	2.10	6.50
RR115-95-3.3-6.5-D	115.00	95.00	3.30	2.10	6.50
RR120-100-3.3-6.5-D	120.00	100.00	3.30	2.10	6.50
RR125-105-3.3-6.5-D	125.00	105.00	3.30	2.10	6.50
RR130-110-3.3-6.5-D	130.00	110.00	3.30	2.10	6.50
RR150-125-3.7-7.2-D	150.00	125.00	3.70	2.10	7.20
RR160-140-3.2-6.5-D	160.00	140.00	3.20	2.10	6.50
RR200-180-3.2-6.5-D	200.00	180.00	3.20	2.10	6.50

* Nominal Dimensions

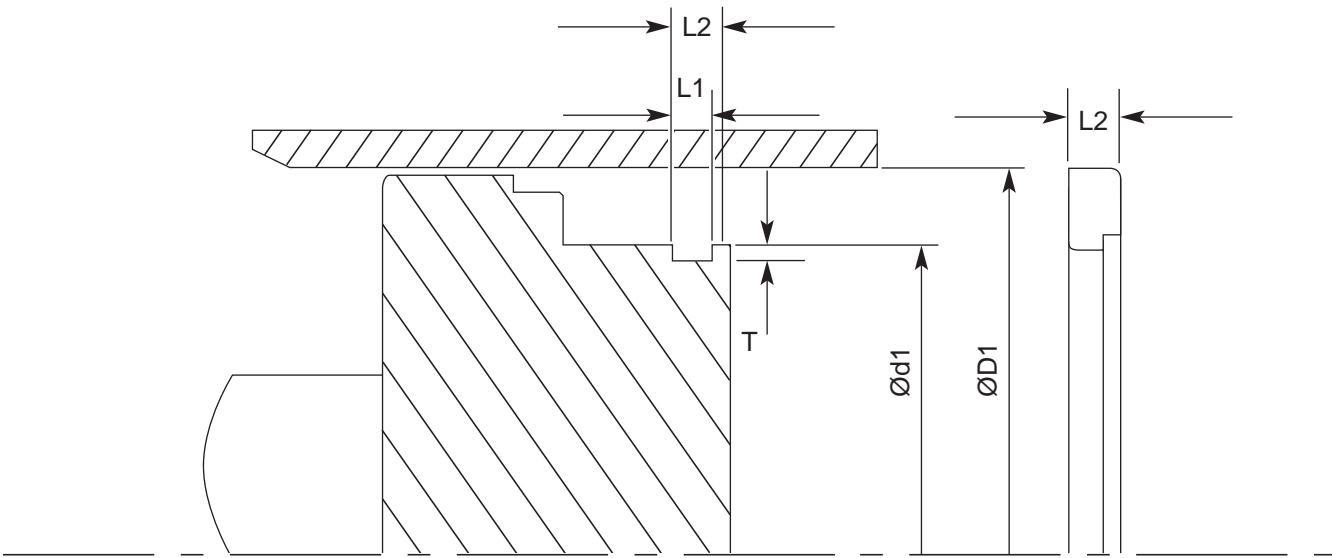
Fluid Power

The Hydraulic Seal Specialists



RR

Imperial Piston Working Retaining Ring



Tolerances				
ØD1	Ød1	L1	L2	T
Refer to seal section	Refer to seal section	+0.005 -0.000	±0.005	+0.00 -0.005

Operating Conditions	
Max Speed	Temp Range
5 m/s	-30° to 100°C

RR is a Polyacetal Retaining Ring designed to retain piston or rod seals depending on the design.
Style RR can be fitted using standard circlip pliers.

Fluid Power

The Hydraulic Seal Specialists

RR

Imperial Piston Working Retaining Ring



Part Number	*ØD1	*Ød1	*L1	T	L2
RR112062-009-018-D	1.125	0.625	0.098	0.082	0.187
RR141087-013-020-D	1.417	0.875	0.130	0.082	0.195
RR150100-013-025-D	1.500	1.000	0.130	0.082	0.250
RR162100-013-025-D	1.625	1.000	0.130	0.082	0.250
RR175125-013-025-D	1.750	1.250	0.130	0.082	0.250
RR178116-013-025-D	1.781	1.160	0.130	0.082	0.250
RR200137-013-025-D	2.000	1.375	0.130	0.082	0.250
RR212150-013-025-D	2.125	1.500	0.130	0.082	0.250
RR225162-013-025-D	2.250	1.625	0.130	0.082	0.250
RR237175-013-025-D	2.375	1.750	0.130	0.082	0.250
RR250187-013-025-D	2.500	1.875	0.130	0.082	0.250
RR262200-013-025-D	2.625	2.000	0.130	0.082	0.250
RR275200-013-025-D	2.750	2.000	0.130	0.082	0.250
RR275212-013-025-D	2.750	2.125	0.130	0.082	0.250
RR300225-013-025-D	3.000	2.250	0.130	0.082	0.250
RR312237-013-025-D	3.125	2.375	0.130	0.082	0.250
RR325250-013-025-D	3.250	2.500	0.130	0.082	0.250
RR325262-013-025-D	3.250	2.625	0.130	0.082	0.250
RR337275-013-025-D	3.375	2.750	0.130	0.082	0.250
RR350275-013-025-D	3.500	2.750	0.130	0.082	0.250
RR362300-013-025-D	3.625	3.000	0.130	0.082	0.250
RR375275-010-031-D	3.750	2.750	0.100	0.050	0.312
RR375312-013-025-D	3.750	3.125	0.130	0.082	0.250
RR387312-019-031-D	3.875	3.125	0.190	0.110	0.312
RR400325-019-027-D	4.000	3.250	0.190	0.082	0.275
RR412337-013-025-D	4.125	3.375	0.130	0.082	0.250
RR412350-013-025-D	4.125	3.500	0.130	0.082	0.250
RR425350-013-025-D	4.250	3.500	0.130	0.082	0.250
RR450375-013-025-D	4.500	3.750	0.130	0.082	0.250
RR475375-014-028-D	4.750	3.750	0.145	0.082	0.281
RR475400-019-031-D	4.750	4.000	0.190	0.110	0.312
RR500400-014-028-D	5.000	4.000	0.145	0.082	0.281
RR575500-019-031-D	5.750	5.000	0.190	0.110	0.312
RR675600-019-031-D	6.750	6.000	0.190	0.110	0.312
RR875800-019-031-D	8.750	8.000	0.190	0.110	0.312

* Nominal Dimensions

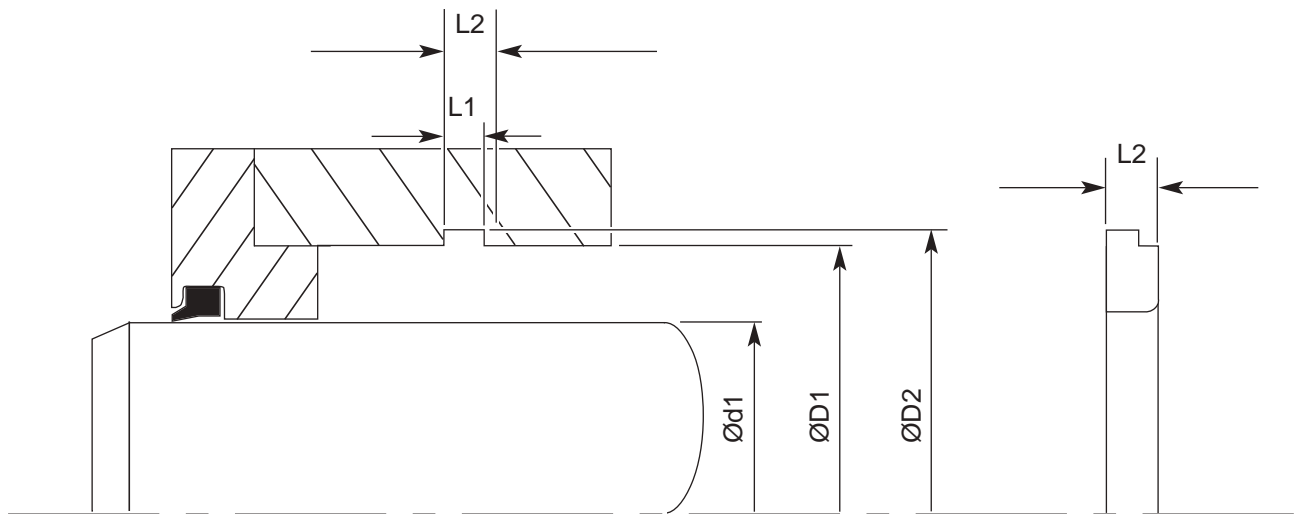
Fluid Power

The Hydraulic Seal Specialists



RR

Metric Rod Working Retaining Ring



Tolerances

ØD1	Ød1	L1	L2	ØD2
Refer to seal section	Refer to seal section	H13	±0.13	H13

Operating Conditions

Max Speed	Temp Range
5 m/s	-30° to 100°C

RR is a Polyacetal Retaining Ring designed to retain piston or rod seals depending on the design.
Style RR can be fitted using standard circlip pliers.

Fluid Power

The Hydraulic Seal Specialists

RR

Metric Rod Working Retaining Ring



Part Number	*Ød1	*ØD1	*ØD2	*L1	L2
RR12-20-1.3-4.5-D ROD	12.00	20.00	21.20	1.30	4.50
RR16-24-1.3-4.5-D ROD	16.00	24.00	25.20	1.30	4.50
RR20-30-1.3-4.5-D ROD	20.00	30.00	31.40	1.30	4.50
RR22-30-1.3-4.5-D ROD	22.00	30.00	31.40	1.30	4.50
RR25-35-1.6-5-D ROD	25.00	35.00	37.00	1.60	5.00
RR28-38-1.6-5-D ROD	28.00	38.00	40.00	1.60	5.00
RR30-40-1.8-5-D ROD	30.00	40.00	42.50	1.85	5.00
RR32-40-1.8-5-D ROD	32.00	40.00	42.50	1.85	5.00
RR32-42-1.8-5-D ROD	32.00	42.00	44.50	1.85	5.00
RR35-45-1.8-5-D ROD	35.00	45.00	47.50	1.85	5.00
RR35-50-2.1-5-D ROD	35.00	50.00	53.00	2.15	5.00
RR36-46-1.8-5-D ROD	36.00	46.00	48.50	1.85	5.00
RR40-50-2.1-5-D ROD	40.00	50.00	53.00	2.15	5.00
RR40-55-2.1-5-D ROD	40.00	55.00	58.00	2.15	5.00
RR45-55-2.1-5-D ROD	45.00	55.00	58.00	2.15	5.00
RR45-65-2.6-6-D ROD	45.00	65.00	68.00	2.65	6.00
RR50-60-2.1-5-D ROD	50.00	60.00	63.00	2.15	5.00
RR50-65-2.6-6-D ROD	50.00	65.00	68.00	2.65	6.00
RR50-70-2.6-6-D ROD	50.00	70.00	73.00	2.65	6.00
RR56-66-2.6-6-D ROD	56.00	66.00	69.00	2.65	6.00
RR56-71-2.6-6-D ROD	56.00	71.00	74.00	2.65	6.00
RR60-75-2.6-6-D ROD	60.00	75.00	78.00	2.65	6.00
RR60-80-2.6-6-D ROD	60.00	80.00	83.00	2.65	6.00
RR63-78-2.6-6-D ROD	63.00	78.00	81.00	2.65	6.00
RR63-83-2.6-6-D ROD	63.00	83.00	86.00	2.65	6.00
RR65-80-2.6-6-D ROD	65.00	80.00	83.00	2.65	6.00
RR70-80-3.1-7.5-D ROD	70.00	80.00	83.00	3.15	7.50
RR70-85-3.1-7.5-D ROD	70.00	85.00	88.50	3.15	7.50
RR70-90-3.1-7.5-D ROD	70.00	90.00	93.50	3.15	7.50
RR75-90-3.1-7.5-D ROD	75.00	90.00	93.50	3.15	7.50
RR80-95-3.1-7.5-D ROD	80.00	95.00	98.50	3.15	7.50
RR80-100-3.1-6-D ROD	80.00	100.00	103.50	3.15	6.00
RR85-100-4.1-7.5-D ROD	85.00	100.00	104.00	4.15	7.50
RR90-100-3.1-7.5-D ROD	90.00	100.00	104.00	3.15	7.50
RR90-105-4.1-7.5-D ROD	90.00	105.00	109.00	4.15	7.50
RR100-120-4.1-7.5-D ROD	100.00	120.00	124.50	4.15	7.50
RR110-125-4.1-10-D ROD	110.00	125.00	129.00	4.15	10.00
RR110-130-4.1-10-D ROD	110.00	130.00	134.00	4.15	10.00
RR120-130-4.1-10-D ROD	120.00	130.00	134.00	4.15	10.00
RR125-145-4.1-10-D ROD	125.00	145.00	149.00	4.15	10.00

* Nominal Dimensions

Fluid Power

The Hydraulic Seal Specialists



RR

Metric Rod Working **R**etaining **R**ing

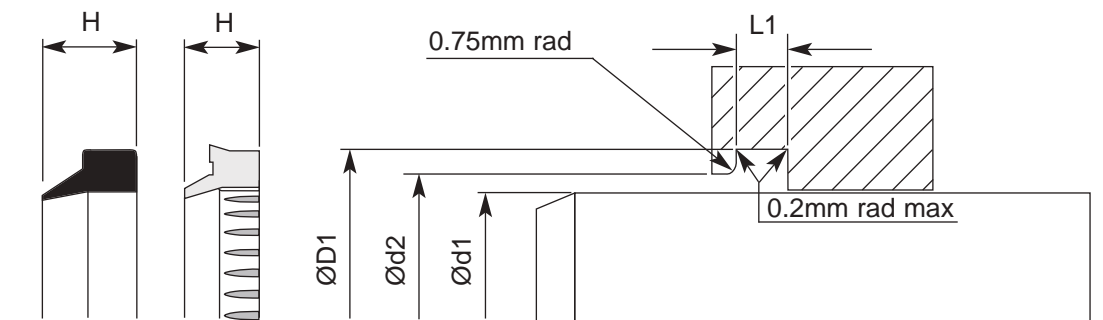
Part Number	*Ød1	*ØD1	*ØD2	*L1	L2
RR140-160-4.1-10-D ROD	140.00	160.00	164.00	4.15	10.00
RR145-160-4.1-10-D ROD	145.00	160.00	164.00	4.15	10.00
RR160-185-4.1-10-D ROD	160.00	185.00	190.00	4.15	10.00

Fluid Power

The Hydraulic Seal Specialists

WR-M

Metric **W**iper **R**ing **S**tyle **M**



Tolerances

ØD1	Ød1	Ød2	L1
+0.20 -0.00	Refer to seal section	+0.20 -0.00	+0.20 -0.00

Operating Conditions

	Polyurethane	Nitrile
Temp Range	-35 to +100°C	-35 to +100°C
Max Speed	1 m/s	1 m/s

WR-M is classed as a medium to heavy duty wiper. Manufactured in either Nitrile rubber or Polyurethane the WR-M is designed to remove contaminants from the rod during the negative stroke to prevent them getting into the cylinder.

Fluid **Power**

The Hydraulic Seal Specialists



WR-M

Metric **W**iper **R**ing Style **M**

Part Number	*Ød1	*ØD1	*L1	*Ød2	H
WR4-12-3-5M-P	4.00	12.00	3.00	9.00	5.00
WR5-12-3-5M-P	5.00	12.00	2.80	9.00	5.00
WR6-12-3-5M-P	6.00	12.00	3.00	9.00	5.00
WR8-14-3.5-5M-P	8.00	14.60	3.80	11.00	5.00
WR9-13-2.5-4M-P	9.00	13.00	2.50	12.00	4.00
WR10-15-1-3M-P	10.00	15.00	1.00	13.00	3.00
WR10-16-3.5-5M-P	10.00	16.60	3.80	13.00	5.00
WR12-18-3.5-5M-P	12.00	18.60	3.80	15.00	5.00
WR12-18-3.5-5.5M-R	12.00	18.60	3.70	15.00	5.50
WR12-20-4-6M-R	12.00	20.00	4.00	16.00	6.00
WR13-19-3.5-5M-P	13.00	19.60	3.80	16.00	5.00
WR13-19-3.5-5M-R	13.00	19.60	3.80	16.00	5.00
WR14-18-2-3M-P	14.00	18.60	2.30	16.50	3.30
WR14-20-3.5-5M-P	14.00	20.60	3.80	17.00	5.00
WR14-20-3.5-5M-R	14.00	20.60	3.80	17.00	5.00
WR14-21-3.5-6M-R	14.00	21.60	3.80	18.00	6.00
WR14-22-4-6M-R	14.00	22.00	4.00	18.00	6.00
WR15-21-3.5-5M-P	15.00	21.60	3.80	18.00	5.00
WR15-21-3.8-5M-R	15.00	21.60	3.80	18.00	5.00
WR15-27-5-7M-P	15.00	27.00	5.00	24.00	7.00
WR16-21-3-5M-R	16.00	21.60	3.00	18.00	5.00
WR16-22-3-5M-P	16.00	22.50	3.00	19.00	5.00
WR16-22-3.5-5M-P	16.00	22.60	3.80	19.00	5.00
WR16-22-3.5-5M-R	16.00	22.60	3.80	19.00	5.00
WR16-22-5-7M-R	16.00	22.60	5.30	19.00	7.00
WR16-24-4-6M-R	16.00	24.00	4.00	20.00	6.00
WR16-24-5-7M-P	16.00	24.60	5.30	19.00	7.00
WR16-24-5-7M-R	16.00	24.60	5.30	20.00	7.00
WR17-23-3.5-5M-P	17.00	23.60	3.80	20.00	5.00
WR17-23-3.5-5M-R	17.00	23.60	3.80	20.00	5.00
WR18-24-3.5-5M-P	18.00	24.60	3.80	21.00	5.00
WR18-26-4-6M-R	18.00	26.00	4.00	22.00	6.00
WR18-26-5-7M-P	18.00	26.60	5.30	21.00	7.00
WR18-26-5-7M-R	18.00	26.60	5.30	21.00	7.00
WR18-30-5-7M-R	18.00	30.20	5.30	21.40	7.00
WR19-28-5-7M-R	19.00	28.60	5.30	22.00	7.00
WR20-26-3-5M-P	20.00	26.00	3.40	23.00	5.00
WR20-28-4-6M-R	20.00	28.00	4.00	24.00	6.00
WR20-28-5-7M-P	20.00	28.60	5.30	23.00	7.00
WR20-28-5-7M-R	20.00	28.60	5.30	23.00	7.00

521 * Nominal Dimensions

Fluid Power

The Hydraulic Seal Specialists

WR-M

Metric **W**iper **R**ing Style **M**



Part Number	*Ød1	*ØD1	*L1	*Ød2	H
WR20-30-5-7M-P	20.00	30.00	5.40	27.00	7.00
WR22-30-2-5M-P	22.00	30.60	2.20	25.00	5.00
WR22-30-4-6M-R	22.00	30.00	4.00	26.00	6.00
WR22-30-5-7M-P	22.00	30.60	5.30	25.00	7.00
WR22-30-5-7M-R	22.00	30.60	5.30	25.00	7.00
WR24-32-2-5M-P	24.00	32.60	2.20	27.00	5.00
WR24-32-5-7M-P	24.00	32.60	5.30	27.00	7.00
WR24-32-5-7M-R	24.00	32.60	5.30	27.00	7.00
WR25-33-4-6M-R	25.00	33.00	4.00	29.00	6.00
WR25-33-5-7M-P	25.00	33.60	5.30	29.00	7.00
WR25-33-5-7M-R	25.00	33.60	5.30	29.00	7.00
WR26-34-5-7M-R	26.00	34.60	5.30	29.00	7.00
WR27-35-5-7M-R	27.00	35.60	5.30	30.00	7.00
WR28-34-4.3-5.8M-R	28.00	34.00	4.70	33.00	5.80
WR28-36-4-6M-R	28.00	36.00	4.00	32.00	6.00
WR28-36-5-7M-P	28.00	36.60	5.30	31.00	7.00
WR28-36-5-7M-R	28.00	36.60	5.30	31.00	7.00
WR30-38-5-7M-P	30.00	38.60	5.30	33.00	7.00
WR30-38-5-7M-R	30.00	38.60	5.30	33.00	7.00
WR30-40-3-5M-P	30.00	40.00	3.00	34.50	5.00
WR30-40-5-7M-P	30.00	40.00	5.30	35.50	7.00
WR30-42-6-9M-R	30.00	42.00	6.00	36.00	9.00
WR32-40-5-7M-P	32.00	40.60	5.30	35.00	7.00
WR32-40-5-7M-R	32.00	40.60	5.30	35.00	7.00
WR32-44-6-9M-R	32.00	44.00	6.00	38.00	9.00
WR35-43-5-7M-P	35.00	43.60	5.30	38.00	7.00
WR35-43-5-7M-R	35.00	43.60	5.30	38.00	7.00
WR35-45-4-6M-P	35.00	45.00	4.00	39.00	6.00
WR35-47-4-7M-R	35.00	47.20	4.30	38.40	7.00
WR35-47-5-7M-R	35.00	47.20	5.30	38.40	7.00
WR35-47-6-9M-R	35.00	47.00	6.00	41.00	9.00
WR36-44-5-7M-P	36.00	44.60	5.30	39.00	7.00
WR36-44-5-7M-R	36.00	44.60	5.30	39.00	7.00
WR36-48-5-7M-R	36.00	48.20	5.30	39.40	7.00
WR36-48-6-9M-R	36.00	48.60	6.00	42.00	9.00
WR38-46-5-7M-P	38.00	46.60	5.30	41.00	7.00
WR38-46-5-7M-R	38.00	46.60	5.30	41.00	7.00
WR40-46-4-6M-R	40.00	46.00	4.70	43.00	6.70
WR40-48-4-7M-P	40.00	48.60	4.30	43.00	7.00
WR40-48-4-7M-R	40.00	48.60	4.30	43.00	7.00

* Nominal Dimensions

Fluid Power

The Hydraulic Seal Specialists



WR-M

Metric **W**iper **R**ing Style **M**

Part Number	*Ød1	*ØD1	*L1	*Ød2	H
WR40-48-5-7M-P	40.00	48.60	5.30	43.00	7.00
WR40-48-5-7M-R	40.00	48.60	5.30	43.00	7.00
WR40-50-5-8M-P	40.00	50.60	5.30	43.00	8.00
WR40-50-6-8M-P	40.00	50.00	6.30	45.00	8.00
WR40-50-7-12M-P	40.00	50.00	7.10	45.00	12.00
WR40-52-5-8M-P	40.00	52.20	5.30	46.00	8.00
WR40-52-5-8M-R	40.00	52.20	5.30	46.00	8.00
WR40-52-6-9M-R	40.00	52.00	6.00	46.00	9.00
WR42-50-5-7M-P	42.00	50.60	5.30	45.00	7.00
WR42-50-5-7M-R	42.00	50.60	5.30	45.00	7.00
WR42-54-6-9M-R	42.00	54.60	6.00	48.00	9.00
WR45-53-5-7M-P	45.00	53.60	5.30	48.00	7.00
WR45-53-5-7M-R	45.00	53.60	5.30	48.00	7.00
WR45-55-5-7M-P	45.00	55.60	5.30	48.00	7.00
WR45-55-5-7M-R	45.00	55.60	5.30	48.00	7.00
WR45-57-5-7M-R	45.00	57.60	5.00	51.00	7.00
WR45-57-6-9M-R	45.00	57.00	6.00	51.00	9.00
WR45-60-4-6M-P	45.00	60.00	4.20	53.00	6.00
WR46-52-4.3-5.8M-R	46.00	52.00	4.70	51.00	5.80
WR46-54-5-7M-P	46.00	54.60	5.30	49.00	7.00
WR46-54-5-7M-R	46.00	54.60	5.30	49.00	7.00
WR48-56-5-7M-P	48.00	56.60	5.30	51.00	7.00
WR48-56-5-7M-R	48.00	56.60	5.30	51.00	7.00
WR50-58-5-7M-P	50.00	58.60	5.30	53.00	7.00
WR50-58-5-7M-R	50.00	58.60	5.30	53.00	7.00
WR50-60-5-7M-P	50.00	60.60	5.30	53.00	7.00
WR50-60-5-7M-R	50.00	60.60	5.30	53.00	7.00
WR50-60-7-12M-P	50.00	60.00	7.10	55.00	12.00
WR50-62-5-7M-R	50.00	62.60	5.30	53.00	7.00
WR50-62-6-9M-R	50.00	62.00	6.00	55.00	9.00
WR55-63-5-7M-P	55.00	63.60	5.30	58.00	7.00
WR55-63-5-7M-R	55.00	63.60	5.30	58.00	7.00
WR55-65-5-7M-P	55.00	65.60	5.30	58.00	7.00
WR55-65-5-7M-R	55.00	65.60	5.30	58.00	7.00
WR55-67-6-9M-R	55.00	67.00	6.00	61.00	9.00
WR56-64-5-7M-P	56.00	64.60	5.30	59.00	7.00
WR56-64-5-7M-R	56.00	64.60	5.30	59.00	7.00
WR56-66-5-7M-P	56.00	66.60	5.30	59.00	7.00
WR56-66-5-7M-R	56.00	66.60	5.30	59.00	7.00
WR56-66-6-8M-R	56.00	66.00	6.30	63.00	8.10

523 * Nominal Dimensions

Fluid **Power**

The Hydraulic Seal Specialists

WR-MMetric **W**iper **R**ing Style **M**

Part Number	*Ød1	*ØD1	*L1	*Ød2	H
WR56-66-6-10M-P	56.00	66.00	6.30	63.00	10.00
WR56-68-6-9M-R	56.00	68.00	6.00	62.00	9.00
WR58-68-5-7M-R	58.00	68.60	5.30	61.00	7.00
WR60-68-5-7M-P	60.00	68.60	5.30	63.00	7.00
WR60-68-5-7M-R	60.00	68.60	5.30	63.00	7.00
WR60-70-5-7M-P	60.00	70.60	5.30	63.00	7.00
WR60-70-5-7M-R	60.00	70.60	5.30	63.00	7.00
WR60-70-6-10M-P	60.00	70.00	6.30	67.00	10.00
WR60-70-7-12M-P	60.00	70.00	7.10	65.00	12.00
WR60-72-6-9M-R	60.00	72.00	6.00	66.00	9.00
WR60-73-7-10M-P	60.00	73.00	7.30	67.00	10.00
WR61-69-5-7M-P	61.00	69.60	5.30	64.00	7.00
WR63-71-5-7M-P	63.00	71.60	5.30	66.00	7.00
WR63-71-5-7M-R	63.00	71.60	5.30	66.00	7.00
WR63-73-5-7M-P	63.00	73.60	5.30	66.00	7.00
WR63-73-5-7M-R	63.00	73.60	5.30	66.00	7.00
WR63-73-6-10M-P	63.00	73.00	6.30	70.00	10.00
WR63-73-6-8M-R	63.00	73.00	6.30	70.00	8.10
WR63-75-6-9M-R	63.00	75.00	6.00	69.00	9.00
WR65-73-5-7M-P	65.00	73.60	5.30	68.00	7.00
WR65-73-5-7M-R	65.00	73.60	5.30	68.00	7.00
WR65-75-5-7M-P	65.00	75.60	5.30	68.00	7.00
WR65-75-5-7M-R	65.00	75.60	5.30	68.00	7.00
WR65-75-6-10M-P	65.00	75.00	6.30	72.00	10.00
WR65-75-7-12M-P	65.00	75.00	7.10	70.00	12.00
WR65-77-6-9M-R	65.00	77.00	6.00	71.00	9.00
WR65-77-7-12M-P	65.00	77.20	7.20	71.00	12.00
WR68-76-5-7M-P	68.00	76.60	5.30	71.00	7.00
WR70-78-5-7M-P	70.00	78.60	5.30	73.00	7.00
WR70-78-5-7M-R	70.00	78.60	5.30	73.00	7.00
WR70-80-5-7M-P	70.00	80.60	5.30	73.00	7.00
WR70-80-5-7M-R	70.00	80.60	5.30	73.00	7.00
WR70-80-6-10M-P	70.00	80.00	6.30	77.00	10.00
WR70-82-6-9M-R	70.00	82.60	6.00	76.00	9.00
WR70-82-7-10M-P	70.00	82.60	7.10	76.00	10.00
WR70-82-7-10M-R	70.00	82.60	7.10	76.00	10.00
WR70-83-7-10M-P	70.00	83.00	7.30	77.00	10.00
WR73-81-5-7M-R	73.00	81.60	5.30	77.00	7.00
WR74.5-83.5-5-7M-P	74.50	83.50	5.30	78.00	7.00
WR75-83-5-7M-P	75.00	83.60	5.30	78.00	7.00

* Nominal Dimensions

Fluid Power

The Hydraulic Seal Specialists



WR-M

Metric **W**iper **R**ing Style **M**

Part Number	*Ød1	*ØD1	*L1	*Ød2	H
WR75-83-5-7M-R	75.00	83.60	5.30	78.00	7.00
WR75-85-5-7M-R	75.00	85.60	5.30	80.00	7.00
WR75-87-6-9M-R	75.00	87.00	6.00	81.00	9.00
WR75-87-7-10M-P	75.00	87.20	7.10	81.00	10.00
WR75-87-7-12M-R	75.00	87.20	7.10	81.00	12.00
WR75-88-7-10M-P	75.00	88.00	7.30	83.00	10.00
WR76-84-5-7M-P	76.00	84.60	5.30	79.00	7.00
WR78-86-5-7M-P	78.00	86.00	5.00	81.00	7.00
WR78-88-5-8M-P	78.00	88.60	5.50	84.50	8.00
WR78-92-7-10M-P	78.00	92.20	7.10	85.00	10.00
WR80-88-5-7M-P	80.00	88.60	5.30	83.00	7.00
WR80-88-5-7M-R	80.00	88.60	5.30	83.00	7.00
WR80-90-6-8M-P	80.00	90.00	6.30	87.00	8.10
WR80-90-6-9M-R	80.00	90.00	6.30	87.00	9.00
WR80-90-6.3-10M-P	80.00	90.00	6.30	87.00	10.00
WR80-92-7-10M-P	80.00	92.60	7.10	86.00	10.00
WR80-92-7-12M-R	80.00	92.60	7.10	86.00	12.00
WR80-96-8-12M-R	80.00	96.00	8.00	88.00	12.00
WR82-95-5-7M-R	82.00	95.00	5.30	87.80	7.00
WR85-93-5-7M-P	85.00	93.60	5.30	88.00	7.00
WR85-93-5-7M-R	85.00	93.60	5.30	88.00	7.00
WR85-95-7-10M-R	85.00	95.00	7.00	92.00	10.00
WR85-97-7-10M-P	85.00	97.20	7.10	91.00	10.00
WR85-97-7-12M-R	85.00	97.20	7.10	91.00	12.00
WR88-96-5-7M-P	88.00	96.60	5.30	91.00	7.00
WR90-98-5-7M-P	90.00	98.20	5.30	93.00	7.00
WR90-98-5-7M-R	90.00	98.60	5.30	93.00	7.00
WR90-100-5-7M-P	90.00	100.60	5.30	96.00	7.00
WR90-100-6-9M-P	90.00	100.00	6.30	97.00	9.00
WR90-102-6-9M-P	90.00	102.00	6.00	94.00	9.00
WR90-102-7-10M-P	90.00	102.20	7.10	94.00	10.00
WR90-102-7-12M-P	90.00	102.20	7.10	96.00	10.00
WR90-102-7-12M-R	90.00	102.20	7.10	96.00	12.00
WR90-106-8-12M-R	90.00	106.00	8.00	98.00	12.00
WR91-99-5-7M-P	91.00	99.60	5.30	94.00	7.00
WR92-104-7-10M-R	92.00	104.60	7.10	98.00	10.00
WR95-103-5-7M-P	95.00	103.60	5.30	98.00	7.00
WR95-107-7-10M-P	95.00	107.20	7.10	101.00	10.00
WR95-107-7-12M-R	95.00	107.20	7.10	101.00	12.00
WR96-104-7.6-10M-P	96.00	104.00	7.60	99.00	10.00

525 * Nominal Dimensions

Fluid **Power**

The Hydraulic Seal Specialists

WR-MMetric **W**iper **R**ing Style **M**

Part Number	*Ød1	*ØD1	*L1	*Ød2	H
WR97-105-5-7M-P	97.00	105.60	5.30	100.00	7.00
WR97-111-7-10M-R	97.00	111.00	7.10	104.00	10.00
WR99-109-5-8M-P	99.00	109.60	5.50	105.50	8.00
WR100-108-5-7M-P	100.00	108.60	5.30	103.00	7.00
WR100-110-5-7M-P	100.00	110.60	5.30	104.00	7.00
WR100-110-7-10M-R	100.00	110.60	7.30	104.00	10.00
WR100-112-7-10M-P	100.00	112.20	7.10	104.00	10.00
WR100-112-7-12M-R	100.00	112.20	7.10	106.00	12.00
WR100-112.6-5.9-8.3M-P	100.00	112.60	5.90	106.00	8.30
WR100-115-9.5-14M-P	100.00	115.00	9.50	110.00	14.00
WR100-116-8-12M-R	100.00	116.00	8.00	108.00	12.00
WR105-113-5-8M-P	105.00	113.00	5.00	110.50	8.00
WR105-115-5-7M-R	105.00	115.60	5.30	110.00	7.00
WR105-115-6-8M-P	105.00	115.00	6.30	110.00	8.00
WR105-117-7-10M-R	105.00	117.20	7.10	111.00	10.00
WR105-117-7-12M-P	105.00	117.20	7.10	111.00	12.00
WR105-121-8-12M-R	105.00	121.00	8.00	113.00	12.00
WR107-115-5-7M-P	107.00	115.60	5.30	110.00	7.00
WR108-116-5-7M-P	108.00	116.60	5.30	111.00	7.00
WR110-118-5-7M-P	110.00	118.60	5.30	113.00	7.00
WR110-118-5-7M-R	110.00	118.60	5.30	113.00	7.00
WR110-122-7-10M-P	110.00	122.20	7.10	116.00	10.00
WR110-122-7-12M-R	110.00	122.20	7.10	116.00	12.00
WR110-123-7-10M-P	110.00	123.00	7.30	117.00	10.00
WR110-125-9.5-14M-P	110.00	125.00	9.50	120.00	14.00
WR110-126-8-12M-R	110.00	126.00	8.00	118.00	12.00
WR113-121-7.6-10M-P	113.00	121.00	7.60	115.00	10.00
WR115-123-5-7M-P	115.00	123.20	5.30	118.00	7.00
WR115-125-5-7M-R	115.00	125.60	5.30	119.00	7.00
WR115-127-7-10M-P	115.00	127.20	7.10	121.00	10.00
WR115-127-7-12M-R	115.00	127.20	7.10	121.00	12.00
WR115-131-8-12M-R	115.00	131.00	8.00	123.00	12.00
WR118-126-5-7M-P	118.00	126.00	5.00	121.00	7.00
WR118-130-7-10M-R	118.00	130.20	7.10	124.00	10.00
WR120-128-5-7M-P	120.00	128.60	5.30	123.00	7.00
WR120-130-5-7M-R	120.00	130.60	5.30	125.00	7.00
WR120-130-5-8M-P	120.00	130.60	5.50	125.00	8.00
WR120-130-6-8M-P	120.00	130.20	6.30	126.00	8.00
WR120-132-7-10M-P	120.00	132.20	7.10	126.00	10.00
WR120-132-7-12M-R	120.00	132.20	7.10	126.00	12.00

* Nominal Dimensions

Fluid **Power**

The Hydraulic Seal Specialists



WR-M

Metric **W**iper **R**ing Style **M**

Part Number	*Ød1	*ØD1	*L1	*Ød2	H
WR120-132.6-5.8-8.3M-P	120.00	132.60	5.80	128.00	8.30
WR120-135-9.5-14M-P	120.00	135.00	9.50	130.00	14.00
WR125-133-5-7M-P	125.00	133.00	5.30	130.80	7.00
WR125-137-7-10M-P	125.00	137.20	7.10	131.00	10.00
WR125-137-7-12M-R	125.00	137.20	7.10	131.00	12.00
WR125-140-9.5-14M-P	125.00	140.00	9.50	135.00	14.00
WR125-140-10-16M-P	125.00	140.00	10.10	132.60	16.00
WR125-140-10-16M-R	125.00	140.00	10.10	132.50	16.00
WR125-141-8-12M-R	125.00	141.00	8.00	133.00	12.00
WR126-134-5-7M-P	126.00	134.60	5.30	129.00	7.00
WR127-135-5-7M-R	127.00	135.60	5.30	132.00	7.00
WR130-142-7-12M-P	130.00	142.20	7.10	136.00	12.00
WR130-142-7-12M-R	130.00	142.20	7.10	136.00	12.00
WR130-149-9-13M-P	130.00	149.00	9.00	143.00	13.00
WR131-141-7.6-10M-P	131.00	141.00	7.60	136.00	10.00
WR134.5-143.5-5-7M-P	134.50	143.50	5.30	139.00	7.00
WR135-147-7-10M-P	135.00	147.20	7.10	141.00	10.00
WR135-147-7-12M-R	135.00	147.20	7.10	141.00	12.00
WR135-151-8-12M-R	135.00	151.00	8.00	143.00	12.00
WR135-150-9.5-14M-P	135.00	150.00	9.50	145.00	14.00
WR140-148-5-7M-P	140.00	148.60	5.30	143.00	7.00
WR140-152-7-10M-P	140.00	152.20	7.10	146.00	10.00
WR140-152-7-12M-R	140.00	152.20	7.20	146.00	12.00
WR140-155-7-12M-R	140.00	155.00	7.20	147.60	12.00
WR140-155-9.5-12.5M-R	140.00	155.00	9.50	145.00	12.50
WR140-155-9.5-14M-P	140.00	155.00	9.50	150.00	14.00
WR140-155-10-16M-R	140.00	155.00	10.20	147.60	16.00
WR140-156-8-12M-R	140.00	156.00	8.00	148.00	12.00
WR140-159-9-13M-P	140.00	159.00	9.00	153.00	13.00
WR141-151-5-8M-P	141.00	151.60	5.50	147.00	8.00
WR143-151-5-7M-P	143.00	151.00	5.50	146.00	7.00
WR145-157-7-10M-P	145.00	157.20	7.20	151.00	12.00
WR145-157-7-12M-R	145.00	157.20	7.20	151.00	12.00
WR145-160-9-16M-P	145.00	160.00	9.20	152.00	16.00
WR147-155-5-7M-P	147.00	155.60	5.30	150.00	7.00
WR150-162-7-10M-P	150.00	162.20	7.20	156.00	10.00
WR150-162-7-10M-R	150.00	162.20	7.20	156.00	10.00
WR150-162-7-12M-P	150.00	162.20	7.20	156.00	12.00
WR150-165-10-16M-P	150.00	165.00	10.10	157.60	16.00
WR150-165-10-16M-R	150.00	165.00	10.10	157.60	16.00

527 * Nominal Dimensions

Fluid Power

The Hydraulic Seal Specialists

WR-M

Metric **W**iper **R**ing Style **M**



Part Number	*Ød1	*ØD1	*L1	*Ød2	H
WR150-166-8-12M-P	150.00	166.00	8.00	158.00	12.00
WR150-166-8-12M-R	150.00	166.00	8.00	158.00	12.00
WR150-169-9-13M-P	150.00	169.00	9.00	161.00	13.00
WR152-162-7.6-10M-P	152.00	162.00	7.60	158.00	10.00
WR160-168-5-7M-P	160.00	168.60	5.30	163.00	7.00
WR160-168-5-7M-R	160.00	168.60	5.30	163.00	7.00
WR160-172-7-12M-P	160.00	172.20	7.10	167.00	12.00
WR160-172-7-12M-R	160.00	172.20	7.10	166.00	12.00
WR160-175-7-12M-R	160.00	175.20	7.10	168.00	12.00
WR160-175-9.5-14M-P	160.00	175.00	9.50	170.00	14.00
WR160-175-10-14M-R	160.00	175.20	10.10	168.00	14.00
WR160-175-10-15M-P	160.00	175.20	10.10	168.00	15.00
WR160-176-8-10M-R	160.00	176.00	8.00	167.50	10.00
WR160-179-9-14M-P	160.00	179.00	9.00	171.00	14.00
WR162-172-5-8M-P	162.00	172.60	5.50	168.00	8.00
WR163-175-7-10M-P	163.00	175.20	7.20	169.00	10.00
WR170-182-7-12M-R	170.00	182.20	7.20	176.00	12.00
WR170-182-7.5-12M-P	170.00	182.20	7.70	176.00	12.00
WR170-185-9.5-14M-P	170.00	185.00	9.50	180.00	14.00
WR170-185-10-16M-P	170.00	185.20	10.10	178.00	16.00
WR170-185-10-16M-R	170.00	185.00	10.20	177.60	16.00
WR170-186-8-12M-R	170.00	186.00	8.00	178.00	12.00
WR180-188-5-7M-P	180.00	188.60	5.30	183.00	7.00
WR180-195-9.5-14M-P	180.00	195.20	9.50	187.50	14.00
WR180-195-10-16M-R	180.00	195.20	10.10	187.50	16.00
WR180-199-9-13M-P	180.00	199.00	9.00	191.00	13.00
WR180-200-10-18M-P	180.00	200.00	10.20	190.00	18.00
WR180-200-10-18M-R	180.00	200.00	10.00	190.00	18.00
WR183-193-5-8M-P	183.00	193.60	5.50	189.00	8.00
WR185-197-7-12M-R	185.00	197.20	7.20	191.00	12.00
WR187-195-5-7M-R	187.00	195.60	5.30	190.00	7.00
WR190-205-10-15M-P	190.00	205.20	10.10	198.00	15.00
WR190-210-10-15M-R	190.00	210.00	10.00	200.00	15.00
WR195-210-10-16M-P	195.00	210.00	10.20	202.50	16.00
WR200-215-9.5-14M-P	200.00	215.00	9.50	210.00	14.00
WR200-215-10-15M-P	200.00	215.20	10.10	208.00	15.00
WR200-215-10-15M-R	200.00	215.20	10.10	208.00	15.00
WR200-220-10-18M-P	200.00	220.00	10.20	210.00	18.00
WR200-220-10-18M-R	200.00	220.00	10.20	210.00	18.00
WR200-219-9-13M-P	200.00	219.00	9.00	201.00	13.00

* Nominal Dimensions

Fluid Power

The Hydraulic Seal Specialists



WR-M

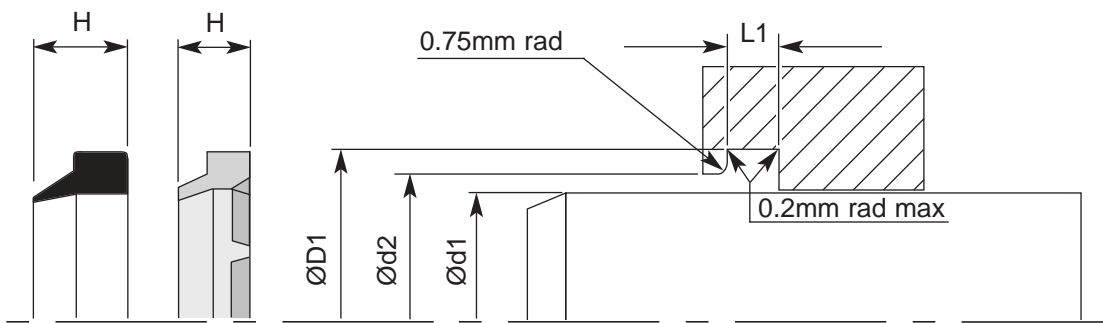
Metric **W**iper **R**ing Style **M**

Part Number	*Ød1	*ØD1	*L1	*Ød2	H
WR205-213-5-7M-P	205.00	213.60	5.30	208.00	7.00
WR207-217-5-8M-P	207.00	217.60	5.50	213.00	8.00
WR210-225-10-16M-P	210.00	225.00	10.20	218.90	16.00
WR210-226-8-12M-P	210.00	226.00	8.00	221.00	12.00
WR219.5-234-7-12M-R	219.50	233.70	7.10	266.50	12.00
WR220-235-10-16M-R	220.00	235.00	10.20	227.60	16.00
WR220-239-9-13M-P	220.00	239.00	9.00	231.00	13.00
WR220-240-12-16M-R	220.00	240.00	12.50	233.50	16.60
WR220-240-12-18M-P	220.00	240.00	12.50	233.50	18.00
WR230-245-10-16M-P	230.00	245.20	10.10	238.00	16.00
WR230-246-7.5-12M-P	230.00	246.00	7.50	240.70	12.00
WR230-250-10-18M-P	230.00	250.00	10.20	240.00	18.00
WR230-250-10-18M-R	230.00	250.00	10.20	240.00	18.00
WR240-260-10-18M-R	240.00	260.00	10.20	250.00	18.00
WR245-265-12-18M-P	245.00	265.00	12.50	258.50	18.00
WR245-266-11-14M-R	245.00	266.00	11.00	259.00	14.50
WR250-265-10-15M-P	250.00	265.20	10.10	258.00	15.00
WR250-270-10-18M-P	250.00	270.00	10.2	260.00	18.00
WR250-270-10-18M-R	250.00	270.00	10.20	260.00	18.00
WR250-270-12.5-18M-P	250.00	270.00	12.50	263.50	18.00
WR260-280-10-18M-P	260.00	280.00	10.20	270.00	18.00
WR260-280-10-18M-R	260.00	280.00	10.20	270.00	18.00
WR265-285-10-15M-P	265.00	285.00	10.20	275.00	15.00
WR270-290-10-18M-R	270.00	290.00	10.20	279.00	18.00
WR280-295-9.5-14M-P	280.00	295.00	9.50	290.00	14.00
WR280-300-10-15M-P	280.00	300.00	10.20	290.00	15.00
WR280-300-10-18M-P	280.00	300.00	10.20	290.00	18.00
WR290-310-12-18M-P	290.00	310.00	12.50	303.50	18.00
WR300-316-7.5-12M-P	300.00	316.00	7.50	310.70	12.00
WR300-320-10-18M-R	300.00	320.00	10.20	310.00	18.00
WR300-320-12-18M-P	300.00	320.00	12.50	313.50	18.00
WR310-330-10-18M-R	310.00	330.00	10.20	320.00	18.00
WR340-360-10-18M-P	340.00	360.00	10.20	350.00	18.00
WR350-370-10-18M-P	350.00	370.00	10.20	360.00	18.00
WR360-380-10-18M-P	360.00	380.00	10.20	370.00	18.00

Fluid Power

The Hydraulic Seal Specialists

WR-M Imperial Wiper Ring Style M



Tolerances

ØD1	Ød1	Ød2	L1
+0.004 -0.000	Refer to seal section	+0.008 -0.000	+0.004 -0.000

Operating Conditions

	Polyurethane	Nitrile
Temp Range	-35 to +100°C	-35 to +100°C
Max Speed	1 m/s	1 m/s

WR-M is classed as a light to medium duty wiper with a square shoulder. Manufactured in either Nitrile rubber or Polyurethane the WR-M is designed to remove contaminants from the rod during the negative stroke to prevent them getting into the cylinder.

Many of the sizes listed are available with additional benefits. These additional styles are listed on page 531. please check with the FPE sales team for availability.

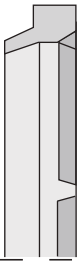
Fluid Power

The Hydraulic Seal Specialists



WR-M

Imperial **W**iper **R**ing Style **M**



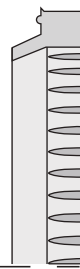
Style - SH

The SH style wiper includes slots around the inside of the base to eliminate back pressure



Style - XS

The XS style wiper is the same as the SH style but includes raised portions on the heel OD to improve ingression resistance.



Style - XL

The XL style has a crush lip providing extra interference in the groove. A bead on the shoulder helps prevent OD ingression. The inside diameter is ribbed to prevent pressure build up.



Style - XE

The XE style wiper is designed to be used in applications with severe side deflections.

Fluid Power

The Hydraulic Seal Specialists

WR-M

Imperial Wiper Ring Style M



Part Number	*Ød1	*ØD1	*L1	*Ød2	H
WR025050-012-019M-P	0.250	0.497	0.124	0.410	0.190
WR031056-012-018M-P	0.312	0.560	0.124	0.475	0.187
WR037062-012-019M-P	0.375	0.622	0.124	0.535	0.190
WR043068-012-019M-P	0.437	0.685	0.124	0.600	0.190
WR050075-012-019M-P	0.500	0.747	0.124	0.660	0.190
WR050076-010-018M-P	0.500	0.760	0.107	0.647	0.187
WR056081-012-019M-P	0.562	0.810	0.124	0.725	0.190
WR056082-010-018M-P	0.562	0.823	0.107	0.710	0.187
WR062087-012-019M-P	0.625	0.872	0.124	0.785	0.190
WR062088-010-018M-P	0.625	0.885	0.107	0.772	0.187
WR068095-010-018M-P	0.687	0.948	0.107	0.839	0.187
WR075100-015-021M-R	0.750	1.026	0.156	0.875	0.210
WR075101-010-018M-P	0.750	1.010	0.107	0.897	0.187
WR075112-018-030M-P	0.750	1.122	0.187	0.995	0.300
WR081108-010-018M-P	0.812	1.086	0.107	0.960	0.187
WR081118-018-030M-P	0.812	1.185	0.187	1.060	0.300
WR087115-010-018M-P	0.875	1.148	0.107	1.023	0.187
WR087125-018-030M-P	0.875	1.247	0.187	1.120	0.300
WR100127-010-018M-P	1.000	1.273	0.107	1.148	0.187
WR100137-018-030M-P	1.000	1.375	0.187	1.245	0.300
WR100137-023-030M-R	1.000	1.398	0.230	1.187	0.300
WR106133-010-018M-P	1.062	1.335	0.107	1.210	0.187
WR108150-018-031M-P	1.075	1.507	0.187	1.305	0.312
WR112140-010-018M-P	1.125	1.398	0.107	1.273	0.187
WR112150-018-030M-P	1.125	1.497	0.187	1.370	0.300
WR118146-010-018M-P	1.187	1.460	0.107	1.335	0.187
WR125152-010-018M-P	1.250	1.523	0.107	1.398	0.187
WR125162-018-028M-R	1.250	1.648	0.187	1.435	0.281
WR125162-018-030M-P	1.250	1.622	0.187	1.495	0.300
WR131161-010-018M-P	1.312	1.614	0.107	1.480	0.187
WR137168-010-018M-P	1.375	1.677	0.107	1.542	0.187
WR137175-018-030M-P	1.375	1.747	0.187	1.620	0.300
WR137175-023-030M-R	1.375	1.773	0.230	1.599	0.300
WR143174-010-018M-P	1.437	1.739	0.107	1.605	0.187
WR150166-012-017M-R	1.500	1.688	0.125	1.586	0.170
WR150180-010-018M-P	1.500	1.802	0.107	1.668	0.187
WR150187-018-030M-P	1.500	1.872	0.187	1.745	0.300
WR150187-023-030M-R	1.500	1.898	0.230	1.678	0.300
WR156193-018-030M-P	1.562	1.935	0.187	1.810	0.300
WR162193-010-018M-P	1.625	1.927	0.107	1.793	0.187

* Nominal Dimensions

Fluid Power

The Hydraulic Seal Specialists



WR-M

Imperial Wiper Ring Style M

Part Number	*Ød1	*ØD1	*L1	*Ød2	H
WR162200-018-030M-P	1.625	1.997	0.187	1.870	0.300
WR175205-010-018M-P	1.750	2.052	0.107	1.918	0.187
WR175206-021-030M-R	1.750	2.085	0.218	1.875	0.280
WR175212-018-030M-P	1.750	2.122	0.187	1.995	0.300
WR187217-010-018M-P	1.875	2.177	0.107	2.043	0.187
WR187225-018-030M-P	1.875	2.247	0.187	2.120	0.300
WR193231-018-030M-P	1.937	2.310	0.187	2.185	0.300
WR200230-010-018M-P	2.000	2.302	0.107	2.178	0.187
WR200237-023-030M-R	2.000	2.398	0.230	2.187	0.300
WR200246-018-031M-P	2.000	2.462	0.187	2.272	0.312
WR200250-025-037M-P	2.000	2.497	0.249	2.327	0.375
WR212243-010-018M-P	2.125	2.427	0.107	2.303	0.187
WR212250-018-030M-P	2.125	2.497	0.187	2.350	0.300
WR212262-025-037M-P	2.125	2.622	0.249	2.452	0.375
WR225255-010-018M-P	2.250	2.552	0.107	2.428	0.187
WR225262-023-030M-R	2.250	2.648	0.230	2.437	0.300
WR225275-025-037M-P	2.250	2.747	0.249	2.577	0.375
WR237268-010-018M-P	2.375	2.677	0.107	2.553	0.187
WR237287-025-037M-P	2.375	2.875	0.249	2.702	0.375
WR250280-010-018M-P	2.500	2.802	0.107	2.678	0.187
WR250287-023-030M-R	2.500	2.898	0.230	2.687	0.300
WR250300-025-037M-P	2.500	2.997	0.249	2.827	0.375
WR262299-010-018M-P	2.625	2.989	0.107	2.834	0.187
WR262312-025-037M-P	2.625	3.122	0.249	2.952	0.375
WR275312-012-021M-P	2.750	3.114	0.122	2.959	0.211
WR275312-018-031M-P	2.750	3.122	0.187	2.952	0.312
WR275318-018-031M-P	2.750	3.187	0.187	2.980	0.312
WR275325-025-037M-P	2.750	3.247	0.249	3.077	0.375
WR287325-012-021M-P	2.875	3.239	0.122	3.084	0.211
WR287337-025-037M-P	2.875	3.372	0.249	3.202	0.375
WR300336-012-021M-P	3.000	3.364	0.122	3.209	0.211
WR300337-023-030M-R	3.000	3.398	0.230	3.187	0.300
WR300350-018-031M-P	3.000	3.500	0.187	3.278	0.312
WR300350-025-037M-P	3.000	3.497	0.249	3.327	0.375
WR312349-012-021M-P	3.125	3.489	0.122	3.334	0.211
WR312362-025-037M-P	3.125	3.622	0.249	3.452	0.375
WR325362-012-021M-P	3.250	3.614	0.122	3.459	0.211
WR325375-025-037M-P	3.250	3.747	0.249	3.577	0.375
WR337373-012-021M-P	3.375	3.739	0.122	3.584	0.211
WR337387-025-037M-P	3.375	3.872	0.249	3.702	0.375

533 * Nominal Dimensions

Fluid **Power**

The Hydraulic Seal Specialists

WR-M

Imperial **W**iper **R**ing Style **M**

Part Number	*Ød1	*ØD1	*L1	*Ød2	H
WR350387-012-021M-P	3.500	3.864	0.122	3.709	0.211
WR350400-025-037M-P	3.500	3.997	0.249	3.827	0.375
WR350400-029-050M-R	3.500	4.008	0.295	3.750	0.500
WR350406-018-031M-P	3.500	4.062	0.187	3.850	0.312
WR362400-012-021M-P	3.625	3.989	0.122	3.834	0.211
WR362412-025-037M-P	3.625	4.122	0.249	3.952	0.375
WR362418-018-031M-P	3.625	4.187	0.187	3.950	0.312
WR375412-012-021M-P	3.750	4.114	0.122	3.959	0.211
WR375425-025-037M-P	3.750	4.247	0.249	4.077	0.375
WR387424-012-021M-P	3.875	4.239	0.122	4.084	0.211
WR387437-025-037M-P	3.875	4.372	0.249	4.202	0.375
WR400443-013-024M-P	4.000	4.427	0.138	4.240	0.238
WR400450-025-037M-P	4.000	4.497	0.249	4.327	0.375
WR400450-029-050M-R	4.000	4.508	0.295	4.250	0.500
WR412455-013-024M-P	4.125	4.552	0.138	4.365	0.238
WR412462-025-037M-P	4.125	4.622	0.249	4.452	0.375
WR425468-013-024M-P	4.250	4.689	0.138	4.490	0.238
WR425475-025-037M-P	4.250	4.747	0.249	4.577	0.375
WR437481-013-024M-P	4.375	4.802	0.138	4.615	0.238
WR437487-025-037M-P	4.375	4.872	0.249	4.702	0.375
WR437487-029-050M-R	4.375	4.883	0.295	4.625	0.500
WR437490-018-031M-P	4.375	4.908	0.187	4.697	0.312
WR450493-013-024M-P	4.500	4.927	0.138	4.740	0.238
WR450500-025-037M-P	4.500	4.997	0.249	4.827	0.375
WR450525-037-056M-P	4.500	5.247	0.374	4.993	0.562
WR462505-013-024M-P	4.625	5.052	0.138	4.865	0.211
WR475512-018-031M-P	4.750	5.122	0.187	4.952	0.312
WR475518-013-024M-P	4.750	5.177	0.138	4.990	0.238
WR475550-037-056M-P	4.750	5.497	0.374	5.243	0.562
WR487530-013-024M-P	4.875	5.302	0.138	5.115	0.238
WR500543-013-024M-P	5.000	5.437	0.138	5.240	0.238
WR500550-025-037M-P	5.000	5.497	0.249	5.327	0.375
WR500550-029-050M-R	5.000	5.508	0.295	5.250	0.500
WR500575-037-056M-P	5.000	5.747	0.374	5.493	0.562
WR525568-013-024M-P	5.250	5.677	0.138	5.490	0.238
WR525584-018-031M-P	5.250	5.844	0.187	5.602	0.312
WR525600-037-056M-P	5.250	5.997	0.374	5.743	0.562
WR537580-013-024M-P	5.375	5.802	0.138	5.615	0.238
WR550593-013-024M-P	5.500	5.927	0.138	5.740	0.238
WR550625-037-056M-P	5.500	6.247	0.374	5.993	0.562

* Nominal Dimensions

Fluid **Power**

The Hydraulic Seal Specialists



WR-M

Imperial **W**iper **R**ing Style **M**

Part Number	*Ød1	*ØD1	*L1	*Ød2	H
WR562611-015-026M-P	5.625	6.114	0.154	5.896	0.264
WR575612-018-031M-P	5.750	6.122	0.187	5.952	0.312
WR575624-015-026M-P	5.750	6.239	0.154	6.022	0.264
WR575650-037-056M-P	5.750	6.497	0.374	6.243	0.562
WR587636-015-026M-P	5.875	6.364	0.154	6.146	0.264
WR600649-015-026M-P	6.000	6.489	0.154	6.272	0.264
WR600675-037-056M-P	6.000	6.747	0.374	6.493	0.562
WR625675-015-026M-P	6.250	6.739	0.154	6.522	0.264
WR625700-037-056M-P	6.250	6.997	0.374	6.743	0.562
WR631690-018-031M-P	6.312	6.906	0.187	6.665	0.312
WR650699-015-026M-P	6.500	6.989	0.154	6.772	0.264
WR650725-037-056M-P	6.500	7.247	0.374	6.993	0.562
WR650750-038-066M-P	6.500	7.500	0.388	7.090	0.562
WR650750-050-075M-P	6.500	7.497	0.499	6.993	0.562
WR675712-018-031M-P	6.750	7.122	0.187	6.952	0.312
WR675724-015-026M-P	6.750	7.239	0.154	7.022	0.264
WR675750-037-056M-P	6.750	7.497	0.374	7.243	0.562
WR700748-015-026M-P	7.000	7.489	0.154	7.272	0.264
WR700775-037-056M-P	7.000	7.747	0.374	7.493	0.562
WR700800-040-068M-P	7.000	7.997	0.399	7.659	0.675
WR700800-050-075M-P	7.000	7.997	0.499	7.659	0.750
WR725775-015-026M-P	7.250	7.739	0.154	7.522	0.264
WR731790-018-031M-P	7.312	7.906	0.187	7.665	0.312
WR750799-015-026M-P	7.500	7.989	0.154	7.772	0.264
WR750825-037-056M-P	7.500	8.247	0.374	7.993	0.562
WR750850-037-056M-P	7.500	8.500	0.374	8.090	0.562
WR775850-037-056M-P	7.750	8.497	0.374	8.243	0.562
WR790828-018-031M-P	7.900	8.282	0.187	8.102	0.312
WR800850-015-026M-P	8.000	8.489	0.154	8.272	0.264
WR800850-025-037M-P	8.000	8.497	0.249	8.327	0.375
WR800875-037-056M-P	8.000	8.750	0.374	8.493	0.562
WR825900-037-056M-P	8.250	8.997	0.374	8.743	0.562
WR837897-018-031M-P	8.375	8.969	0.187	8.665	0.312
WR850900-015-026M-P	8.500	8.989	0.154	8.772	0.264
WR850900-025-037M-P	8.500	8.997	0.249	8.827	0.375
WR850925-037-056M-P	8.500	9.247	0.374	8.993	0.562
WR875950-037-056M-P	8.750	9.497	0.374	9.243	0.562
WR900950-015-026M-P	9.000	9.489	0.154	9.272	0.264
WR900975-037-056M-P	9.000	9.747	0.374	9.493	0.562
WR9431009-018-031M-P	9.438	10.090	0.187	9.836	0.312

535 * Nominal Dimensions

Fluid Power

The Hydraulic Seal Specialists

WR-M

Imperial **W**iper **R**ing Style **M**



Part Number	*Ød1	*ØD1	*L1	*Ød2	H
WR950999-015-026M-P	9.500	9.989	0.154	9.772	0.264
WR9501025-037-056M-P	9.500	10.247	0.374	9.993	0.562
WR9751025-025-043M-P	9.750	10.247	0.249	10.046	0.437
WR9751050-037-056M-P	9.750	10.500	0.374	10.243	0.562
WR10001050-015-026M-P	10.000	10.489	0.154	10.272	0.264
WR10001100-050-075M-P	10.000	11.000	0.499	10.659	0.750
WR10501100-015-026M-P	10.500	10.989	0.154	10.772	0.264
WR10501150-050-075M-P	10.500	11.497	0.499	11.159	0.750
WR11001150-015-026M-P	11.000	11.489	0.154	11.272	0.264
WR11001200-050-075M-P	11.000	11.997	0.499	11.659	0.750
WR12001300-050-075M-P	12.000	12.997	0.499	12.659	0.750
WR12001325-050-075M-P	12.000	13.247	0.499	12.909	0.750
WR12501350-050-078M-P	12.500	13.497	0.499	13.159	0.775

* Nominal Dimensions

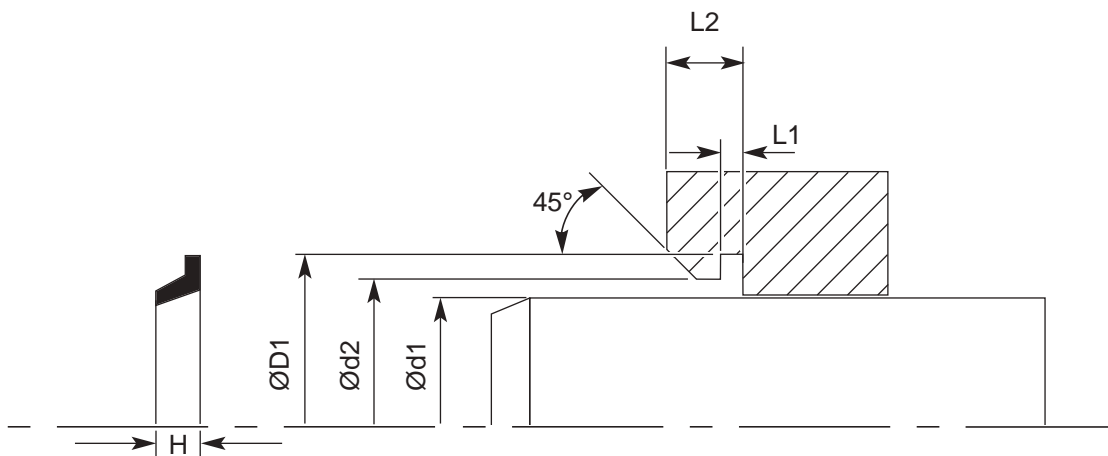
Fluid Power

The Hydraulic Seal Specialists



WR-DK

Metric **W**iper **R**ing Style **DK**



Tolerances

ØD1	Ød1	L1	Ød2
H11	Refer to seal section	ØD1=<20 +0.05 -0.00 ØD1= 20-145 +0.08 -0.00 ØD1= ≥150 +0.10 -0.00	H11

Operating Conditions

	Nitrile	Polyurethane
Temp Range	-30 to +100°C	-30 to +100°C
Max Speed	1 m/s	1 m/s

WR-DK is a light duty wiper manufactured in Nitrile rubber or Polyurethane. The WR-DK is designed to remove contaminants from the rod during the negative stroke to prevent them getting into the cylinder.

Fluid **Power**

The Hydraulic Seal Specialists

WR-DK

Metric **W**iper **R**ing Style **DK**



Part Number	*Ød1	*ØD1	*L1	H	*Ød2	L2
WR8-14-1.3-4DK-R	8.00	14.00	1.30	4.00	10.10	2.50
WR10-16-1.3-4DK-R	10.00	16.00	1.30	4.00	12.10	2.50
WR12-18-1.3-4DK-R	12.00	18.00	1.30	4.00	14.10	2.50
WR15-21-1.3-4DK-R	15.00	21.00	1.30	4.00	17.10	2.50
WR16-22-1.3-4DK-R	16.00	22.00	1.30	4.00	18.10	2.50
WR18-24-1.3-4DK-R	18.00	24.00	1.30	4.00	20.10	2.50
WR20-27.5-1.6-5DK-R	20.00	27.50	1.60	5.00	22.90	3.00
WR25-32.5-1.6-5DK-P	25.00	32.50	1.60	5.00	27.90	3.00
WR25-32.5-1.6-5DK-R	25.00	32.50	1.60	5.00	27.90	3.00
WR30-37.5-1.6-5DK-R	30.00	37.50	1.60	5.00	32.90	3.00
WR32-39.5-1.6-5DK-P	32.00	39.50	1.60	5.00	34.90	3.00
WR32-46-3-9DK-R	32.00	46.00	3.00	9.00	39.50	9.00
WR33-40.5-1.6-5DK-P	33.00	40.50	1.60	5.00	35.90	3.00
WR33-40.5-1.6-5DK-R	33.00	40.50	1.60	5.00	35.90	3.00
WR35-42.5-1.6-5DK-R	35.00	42.50	1.60	5.00	37.90	3.00
WR37-44.5-1.6-5DK-R	37.00	44.50	1.60	5.00	39.90	3.00
WR40-47.5-1.6-5DK-P	40.00	47.50	1.60	5.00	42.90	3.00
WR40-52-3-9DK-R	40.00	52.00	3.00	9.00	46.00	9.00
WR43-50.5-1.6-5DK-R	43.00	50.50	1.60	5.00	45.90	3.00
WR45-52.5-1.6-5DK-R	45.00	52.50	1.60	5.00	47.90	3.00
WR50-60-2-6DK-P	50.00	60.00	2.15	6.00	54.60	4.00
WR50-60-2-6DK-R	50.00	60.00	2.15	6.00	54.60	4.00
WR55-65-2-6DK-P	55.00	65.00	2.15	6.00	59.60	4.00
WR55-65-2-6DK-R	55.00	65.00	2.15	6.00	59.60	4.00
WR60-70-2-6DK-R	60.00	70.00	2.15	6.00	64.60	4.00
WR63-73-2-6DK-P	63.00	73.00	2.15	6.00	67.60	4.00
WR63-73-2-6DK-R	63.00	73.00	2.15	6.00	67.60	4.00
WR65-75-2-6DK-R	65.00	75.00	2.15	6.00	69.60	4.00
WR70-80-2-6DK-R	70.00	80.00	2.15	6.00	74.60	4.00
WR74-87-3-8DK-R	74.00	87.00	3.15	8.00	81.00	8.00
WR75-85-2-6DK-P	75.00	85.00	2.15	6.00	79.60	4.00
WR78-88-2-6DK-R	78.00	88.00	2.15	6.00	82.60	4.00
WR78-92-3-9DK-P	78.00	92.00	3.15	9.00	82.60	9.00
WR78-92-3-9DK-R	78.00	92.00	3.15	9.00	82.60	9.00
WR80-90-2-6DK-P	80.00	90.00	2.15	6.00	84.60	4.00
WR80-90-2-6DK-R	80.00	90.00	2.15	6.00	84.60	4.00
WR90-100-2-6DK-R	90.00	100.00	2.15	6.00	94.60	4.00
WR95-105-2-6DK-P	95.00	105.00	2.15	6.00	99.60	4.00
WR95-105-2-6DK-R	95.00	105.00	2.15	6.00	99.60	4.00
WR100-110-2-6DK-R	100.00	110.00	2.15	6.00	104.60	4.00

* Nominal Dimensions

Fluid Power

The Hydraulic Seal Specialists



WR-DK

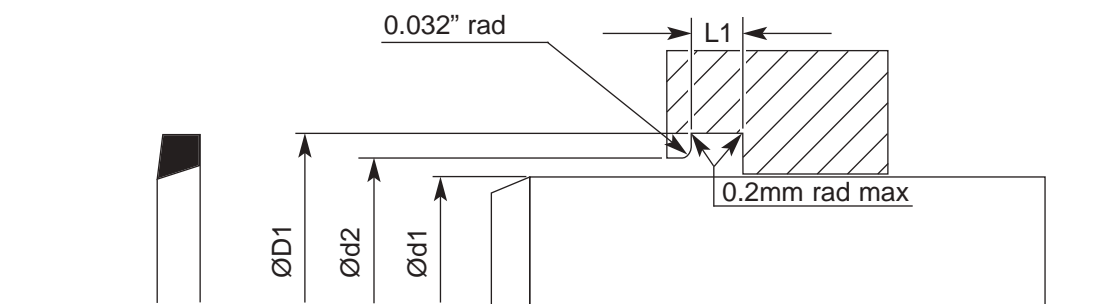
Metric **W**iper **R**ing Style **DK**

Part Number	*Ød1	*ØD1	*L1	H	*Ød2	L2
WR113-123-2-7DK-P	113.00	123.00	2.15	7.00	117.60	4.00
WR120-130-2-6DK-R	120.00	130.00	2.15	6.00	124.60	4.00
WR127-137-2-6DK-R	127.00	137.00	2.15	6.00	131.60	4.00
WR132-142-2-7DK-P	132.00	142.00	2.15	7.00	136.60	4.00
WR140-150-2-6DK-R	140.00	150.00	2.15	6.00	144.60	4.00

Fluid Power

The Hydraulic Seal Specialists

WR-B Imperial Wiper Ring Style B



Tolerances

ØD1	Ød1	Ød2	L1
+0.000 -0.005	Refer to seal section	+0.005 -0.000	± 0.010

Operating Conditions

	Nitrile	Polyurethane
Temp Range	-30 to +100°C	-30 to +100°C
Max Speed	1 m/s	1 m/s

WR-B is a light duty wiper manufactured in Nitrile rubber or Polyurethane. The WR-B is designed to remove contaminants from the rod during the negative stroke to prevent them getting into the cylinder.

Fluid **Power**

The Hydraulic Seal Specialists



WR-B

Imperial **W**iper **R**ing Style **B**

Part Number	*Ød1	*ØD1	*L1	*Ød2
WR037054-012-B0-R	0.375	0.540	0.120	0.430
WR043061-012-B001-R	0.437	0.610	0.120	0.495
WR050068-013-B01-R	0.500	0.680	0.130	0.560
WR056074-013-B02-R	0.562	0.740	0.130	0.630
WR062082-014-B03-R	0.625	0.820	0.140	0.700
WR068088-014-B04-R	0.687	0.880	0.140	0.760
WR075095-014-B05-P	0.750	0.950	0.140	0.820
WR075095-014-B05-R	0.750	0.950	0.140	0.820
WR081102-014-B06-R	0.812	1.020	0.140	0.880
WR087108-015-B07-P	0.875	1.080	0.150	0.950
WR087108-015-B07-R	0.875	1.080	0.150	0.950
WR093115-015-B08-R	0.937	1.150	0.150	1.010
WR100124-016-B09-P	1.000	1.240	0.160	1.080
WR100124-016-B09-R	1.000	1.240	0.160	1.080
WR106129-016-B10-R	1.062	1.290	0.160	1.140
WR112137-016-B11-P	1.125	1.375	0.160	1.210
WR112137-016-B11-R	1.125	1.375	0.160	1.210
WR118142-016-B12-R	1.187	1.420	0.160	1.270
WR125149-017-B13-P	1.250	1.490	0.170	1.330
WR125149-017-B13-R	1.250	1.490	0.170	1.330
WR131155-017-B14-R	1.312	1.550	0.170	1.390
WR137162-017-B15-R	1.375	1.625	0.170	1.460
WR143169-017-B16-R	1.437	1.690	0.170	1.520
WR150177-018-B17-P	1.500	1.770	0.180	1.590
WR150177-018-B17-R	1.500	1.770	0.180	1.590
WR156182-018-B18-R	1.562	1.820	0.180	1.650
WR162188-018-B19-R	1.625	1.880	0.180	1.720
WR168196-019-B20-R	1.687	1.960	0.190	1.780
WR175203-019-B21-P	1.750	2.030	0.190	1.850
WR175203-019-B21-R	1.750	2.030	0.190	1.850
WR181210-019-B22-R	1.812	2.100	0.190	1.910
WR187216-019-B23-R	1.875	2.160	0.190	1.970
WR193224-020-B24-R	1.937	2.240	0.200	2.040
WR200230-020-B25-P	2.000	2.300	0.200	2.100
WR200230-020-B25-R	2.000	2.300	0.200	2.100
WR212243-021-B26-P	2.125	2.430	0.210	2.230
WR212243-021-B26-R	2.125	2.430	0.210	2.230
WR225257-021-B27-R	2.250	2.570	0.210	2.360
WR237270-022-B28-P	2.375	2.700	0.220	2.490
WR237270-022-B28-R	2.375	2.700	0.220	2.490

541 * Nominal Dimensions

Fluid Power

The Hydraulic Seal Specialists

WR-B Imperial Wiper Ring Style B

Part Number	*Ød1	*ØD1	*L1	*Ød2
WR250284-022-B29-R	2.500	2.840	0.220	2.610
WR262297-023-B30-R	2.625	2.970	0.230	2.740
WR275311-023-B31-R	2.750	3.110	0.230	2.870
WR287324-024-B32-R	2.875	3.240	0.240	3.000
WR300338-024-B33-P	3.000	3.380	0.240	3.130
WR300338-024-B33-R	3.000	3.380	0.240	3.130
WR312350-025-B34-R	3.125	3.500	0.250	3.260
WR325365-025-B35-R	3.250	3.650	0.250	3.390
WR337378-026-B36-R	3.375	3.780	0.260	3.510
WR350392-027-B37-R	3.500	3.920	0.270	3.640
WR362405-027-B38-R	3.625	4.050	0.270	3.770
WR375419-028-B39-R	3.750	4.190	0.280	3.900
WR387432-028-B40-R	3.875	4.320	0.280	4.030
WR400446-029-B41-R	4.000	4.460	0.290	4.160
WR412434-016-B42-R	4.125	4.340	0.160	4.210
WR425445-015-B43-R	4.250	4.455	0.150	4.330
WR425473-030-B44-R	4.250	4.730	0.300	4.410
WR437486-030-B45-R	4.375	4.860	0.300	4.540
WR450500-031-B46-R	4.500	5.000	0.310	4.670
WR475527-032-B47-R	4.750	5.270	0.320	4.930
WR500554-033-B48-R	5.000	5.540	0.330	5.180
WR525581-034-B50-R	5.250	5.810	0.340	5.440
WR537594-034-B51-R	5.375	5.945	0.345	5.570
WR550608-035-B52-R	5.500	6.080	0.350	5.700
WR562612-035-B53-R	5.625	6.126	0.355	5.185
WR575635-036-B54-R	5.750	6.350	0.360	5.950
WR600662-038-B56-R	6.000	6.620	0.380	6.210
WR625689-039-B58-R	6.250	6.890	0.390	6.470
WR650716-040-B60-R	6.500	7.160	0.400	6.720
WR662729-040-B61-R	6.625	7.295	0.405	6.850
WR700770-042-B64-R	7.000	7.705	0.420	7.240
WR800878-047-B72-R	8.000	8.780	0.470	8.270

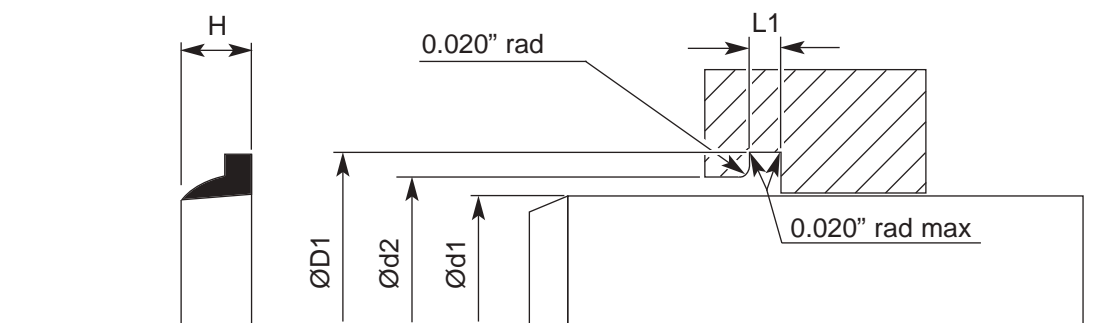
* Nominal Dimensions

Fluid Power

The Hydraulic Seal Specialists



WR-C Imperial Wiper Ring Style C



Tolerances

$\text{\O}D1$	$\text{\O}d1$	$\text{\O}d2$	L1
+0.004 -0.000	Refer to seal section	+0.008 -0.000	+0.004 -0.000

Operating Conditions

	Nitrile	Polyurethane
Temp Range	-30 to +100°C	-30 to +100°C
Max Speed	1 m/s	1 m/s

WR-C is a light to medium duty wiper manufactured in Nitrile rubber or Polyurethane. The WR-C is designed to remove contaminants from the rod during the negative stroke to prevent them getting into the cylinder.

Fluid Power

The Hydraulic Seal Specialists

WR-C Imperial Wiper Ring Style C



Part Number	*Ød1	*ØD1	*L1	*Ød2	H
WR043093-012-025C-R	0.437	0.937	0.125	0.655	0.250
WR050090-012-025C-R	0.500	0.900	0.125	0.700	0.250
WR056096-012-025C-R	0.562	0.963	0.125	0.763	0.250
WR062102-012-025C-R	0.625	1.025	0.125	0.825	0.250
WR068108-012-025C-R	0.688	1.088	0.125	0.888	0.250
WR075115-012-025C-R	0.750	1.150	0.125	0.950	0.250
WR081121-012-025C-R	0.812	1.213	0.125	1.013	0.250
WR087127-012-025C-R	0.875	1.275	0.125	1.075	0.250
WR093133-012-025C-R	0.937	1.338	0.125	1.138	0.250
WR100137-012-025C-R	1.000	1.375	0.125	1.200	0.250
WR100140-012-025C-R	1.000	1.400	0.125	1.200	0.250
WR100150-012-025C-R	1.000	1.500	0.125	1.250	0.250
WR112162-012-037C-R	1.125	1.625	0.125	1.425	0.375
WR125175-012-037C-P	1.250	1.750	0.125	1.550	0.375
WR125175-012-037C-R	1.250	1.750	0.125	1.550	0.375
WR130180-012-037C-R	1.300	1.800	0.125	1.600	0.375
WR137187-012-037C-R	1.375	1.875	0.125	1.675	0.375
WR150200-012-037C-P	1.500	2.000	0.125	1.800	0.375
WR150200-012-037C-R	1.500	2.000	0.125	1.800	0.375
WR162212-012-037C-R	1.625	2.125	0.125	1.925	0.375
WR175225-012-037C-P	1.750	2.250	0.125	2.050	0.375
WR175225-012-037C-R	1.750	2.250	0.125	2.050	0.375
WR187237-012-037C-R	1.875	2.375	0.125	2.175	0.375
WR200250-012-037C-P	2.000	2.500	0.125	2.300	0.375
WR200250-012-037C-R	2.000	2.500	0.125	2.300	0.375
WR212262-012-037C-R	2.125	2.625	0.125	2.425	0.375
WR225275-012-037C-R	2.250	2.750	0.125	2.550	0.375
WR237287-012-037C-R	2.375	2.875	0.125	2.675	0.375
WR250300-012-037C-R	2.500	3.000	0.125	2.800	0.375
WR262312-012-037C-R	2.625	3.125	0.125	2.925	0.375
WR275325-012-037C-R	2.750	3.250	0.125	3.050	0.375
WR287337-012-037C-R	2.875	3.375	0.125	3.175	0.375
WR300350-012-037C-R	3.000	3.500	0.125	3.300	0.375
WR312387-018-050C-R	3.125	3.875	0.187	3.525	0.500
WR325400-018-050C-R	3.250	4.000	0.187	3.650	0.500
WR335410-018-050C-R	3.350	4.100	0.187	3.750	0.500
WR337412-018-050C-R	3.375	4.125	0.187	3.775	0.500
WR350425-018-050C-R	3.500	4.250	0.187	3.900	0.500
WR362437-018-050C-R	3.625	4.375	0.187	4.025	0.500
WR365440-018-050C-R	3.650	4.400	0.187	4.050	0.500

* Nominal Dimensions

Fluid Power

The Hydraulic Seal Specialists



WR-C

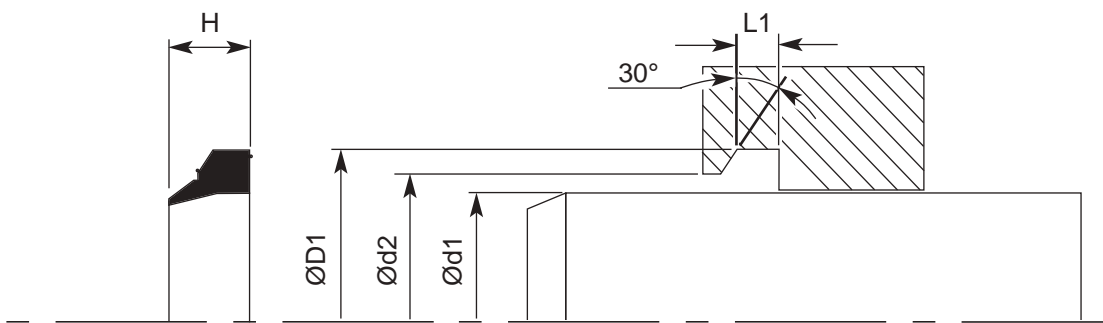
Imperial **W**iper **R**ing Style **C**

Part Number	*Ød1	*ØD1	*L1	*Ød2	H
WR375450-018-050C-R	3.750	4.500	0.187	4.150	0.500
WR387462-018-050C-R	3.875	4.625	0.187	4.275	0.500
WR400475-018-050C-R	4.000	4.750	0.187	4.400	0.500
WR412487-018-050C-R	4.125	4.875	0.187	4.525	0.500
WR425500-018-050C-R	4.250	5.000	0.187	4.650	0.500
WR450525-018-050C-R	4.500	5.250	0.187	4.900	0.500
WR475550-018-050C-R	4.750	5.500	0.187	5.150	0.500
WR487562-018-050C-R	4.875	5.625	0.187	5.275	0.500
WR500575-018-050C-R	5.000	5.750	0.187	5.400	0.500
WR525600-018-050C-R	5.250	6.000	0.187	5.650	0.500
WR550625-018-050C-R	5.500	6.250	0.187	5.900	0.500
WR575650-018-050C-R	5.750	6.500	0.187	6.150	0.500
WR600675-018-050C-R	6.000	6.750	0.187	6.400	0.500
WR625725-025-062C-R	6.250	7.250	0.250	6.750	0.625
WR650750-025-062C-R	6.500	7.500	0.250	7.000	0.625
WR700800-025-062C-R	7.000	8.000	0.250	7.500	0.625
WR725825-025-062C-R	7.250	8.250	0.250	7.750	0.625
WR750850-025-062C-R	7.500	8.500	0.250	8.000	0.625
WR775875-025-062C-R	7.750	8.750	0.250	8.250	0.625
WR800900-025-062C-R	8.000	9.000	0.250	8.500	0.625
WR825925-025-062C-R	8.250	9.250	0.250	8.750	0.625
WR9501075-031-075C-R	9.500	10.750	0.312	10.125	0.750

Fluid Power

The Hydraulic Seal Specialists

WR-S Metric Wiper Ring Style S



Tolerances			
ØD1	Ød1	Ød2	L1
+0.20 -0.00	Refer to seal section	+0.20 -0.00	+0.20 -0.00

Operating Conditions	
Temp Range	-30 to +100°C
Max Speed	1 m/s

WR-S is a medium to heavy duty wiper manufactured in Nitrile rubber. The WR-S is designed to remove contaminants from the rod during the negative stroke to prevent them getting into the cylinder.

Fluid Power

The Hydraulic Seal Specialists



WR-S

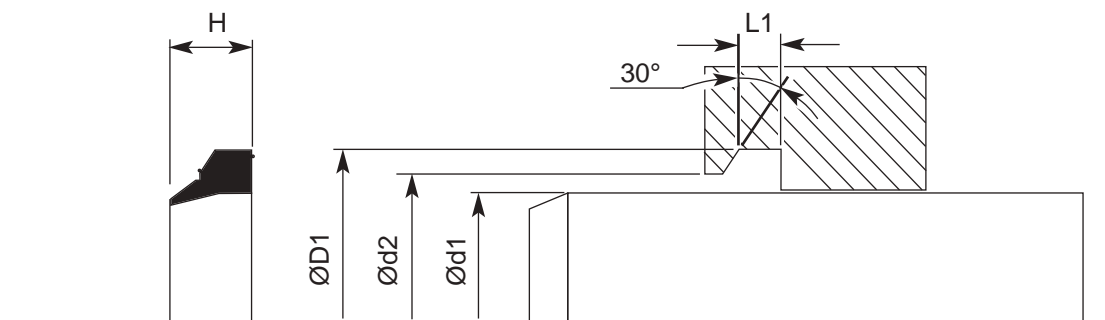
Metric **W**iper **R**ing Style **S**

Part Number	*Ød1	*ØD1	*Ød2	*L1	H
WR19-27-3-7S-R	19.00	27.00	23.00	3.40	7.00
WR20-32-5-9S-R	20.00	32.70	26.40	5.30	8.90
WR22-34-5-9S-R	22.00	34.70	28.40	5.30	8.90
WR23-35-5-9S-R	23.00	35.70	29.40	5.30	8.90
WR25-37-5-9S-R	25.00	37.70	31.40	5.30	8.90
WR26-38-5-9S-R	26.00	38.70	32.40	5.30	8.90
WR28-40-5-9S-R	28.00	40.70	34.40	5.30	8.90
WR30-42-5-9S-R	30.00	42.70	36.40	5.30	8.90
WR33-45-5-9S-R	33.00	45.70	39.40	5.30	8.90
WR36-44-3-7S-R	36.00	44.00	40.00	3.40	7.00
WR40-52-5-9S-R	40.00	52.70	46.40	5.30	8.90
WR44-56-5-9S-R	44.00	56.70	50.40	5.30	8.90
WR45-57-5-9S-R	45.00	57.70	51.40	5.30	8.90
WR48-60-5-9S-R	48.00	60.70	54.40	5.30	8.90
WR50-58-3-7S-R	50.00	58.00	54.00	3.40	7.00
WR50-62-5-9S-R	50.00	62.70	56.40	5.30	8.90
WR55-67-5-9S-R	55.00	67.70	61.40	5.30	8.90
WR56-68-5-9S-R	56.00	68.70	62.40	5.30	8.90
WR60-72-5-9S-R	60.00	72.70	66.40	5.30	8.90
WR63-75-5-9S-R	63.00	75.70	69.40	5.30	8.90
WR65-77-5-9S-R	65.00	77.70	71.40	5.30	8.90
WR68-80-5-9S-R	68.00	80.70	74.40	5.30	8.90
WR75-87-5-9S-R	75.00	87.70	81.40	5.30	8.90
WR80-92-5-9S-R	80.00	92.70	86.40	5.30	8.90
WR85-97-5-9S-R	85.00	97.70	91.40	5.30	8.90
WR88-100-5-9S-R	88.00	100.70	94.40	5.30	8.90
WR90-102-5-9S-R	90.00	102.70	96.40	5.30	8.90
WR95-107-5-9S-R	95.00	107.70	101.40	5.30	8.90
WR100-112-5-9S-R	100.00	112.70	106.40	5.30	8.90
WR105-117-5-9S-R	105.00	117.70	112.20	5.30	8.90
WR110-122-5-9S-R	110.00	122.70	116.40	5.30	8.90
WR120-132-5-9S-R	120.00	132.70	126.40	5.30	8.90
WR130-142-5-9S-R	130.00	142.70	136.40	5.30	8.90
WR140-152-5-9S-R	140.00	152.70	146.40	5.30	8.90
WR150-162-5-9S-R	150.00	162.70	156.40	5.30	8.90
WR180-192-5-9S-R	180.00	192.70	186.40	5.30	8.90

Fluid Power

The Hydraulic Seal Specialists

WR-S Imperial Wiper Ring Style S



Tolerances

ØD1	Ød1	Ød2	L1
+0.008 -0.000	Refer to seal section	+0.008 -0.000	+0.008 -0.000

Operating Conditions

	Nitrile	Polyurethane
Temp Range	-30 to +100°C	-30 to +100°C
Max Speed	1 m/s	1 m/s

WR-S is a medium to heavy duty wiper manufactured in Nitrile rubber or Polyurethane. The WR-S is designed to remove contaminants from the rod during the negative stroke to prevent them getting into the cylinder.

Fluid **Power**

The Hydraulic Seal Specialists



WR-S

Imperial **W**iper **R**ing Style **S**

Part Number	*Ød1	*ØD1	*Ød2	*L1	H
WR062087-015-028S-P	0.625	0.885	0.746	0.155	0.281
WR062093-013-026S-R	0.625	0.937	0.780	0.133	0.260
WR075112-018-034S-P	0.750	1.135	0.827	0.195	0.343
WR075125-020-040S-R	0.750	1.250	1.000	0.208	0.400
WR087125-018-034S-P	0.875	1.260	0.952	0.195	0.343
WR100137-018-034S-P	1.000	1.385	1.077	0.195	0.343
WR100150-020-040S-P	1.000	1.500	1.250	0.208	0.400
WR100150-020-040S-R	1.000	1.500	1.250	0.208	0.400
WR112150-018-034S-P	1.125	1.500	1.233	0.188	0.343
WR112162-020-040S-R	1.125	1.625	1.375	0.208	0.400
WR125162-018-034S-P	1.250	1.625	1.358	0.188	0.343
WR125175-020-040S-P	1.250	1.750	1.500	0.208	0.400
WR125175-020-040S-R	1.250	1.750	1.500	0.208	0.400
WR137175-018-034S-P	1.375	1.750	1.483	0.188	0.343
WR137187-020-040S-R	1.375	1.875	1.625	0.208	0.400
WR150187-018-034S-P	1.500	1.875	1.608	0.187	0.340
WR150200-020-040S-P	1.500	2.000	1.750	0.208	0.400
WR150200-020-040S-R	1.500	2.000	1.750	0.208	0.400
WR162212-020-040S-R	1.625	2.125	1.875	0.208	0.400
WR175212-018-034S-P	1.750	2.125	1.858	0.188	0.343
WR175212-018-034S-R	1.750	2.125	1.937	0.187	0.343
WR175212-020-040S-R	1.750	2.125	1.937	0.208	0.400
WR175225-020-040S-P	1.750	2.250	2.000	0.208	0.400
WR175225-020-040S-R	1.750	2.250	2.000	0.208	0.400
WR187237-020-040S-R	1.875	2.375	2.125	0.208	0.400
WR193243-025-045S-P	1.937	2.447	2.090	0.255	0.450
WR200237-018-034S-P	2.000	2.375	2.108	0.188	0.343
WR200250-020-040S-P	2.000	2.500	2.250	0.208	0.400
WR200250-020-040S-R	2.000	2.500	2.250	0.208	0.400
WR212262-020-040S-P	2.125	2.625	2.375	0.208	0.400
WR212262-020-040S-R	2.125	2.625	2.375	0.208	0.400
WR225262-018-034S-P	2.250	2.635	2.327	0.195	0.343
WR225275-020-040S-R	2.250	2.750	2.500	0.208	0.400
WR243300-028-056S-P	2.437	3.010	2.633	0.286	0.562
WR250287-018-034S-P	2.500	2.885	2.577	0.195	0.343
WR250300-020-040S-R	2.500	3.000	2.750	0.208	0.400
WR250300-025-045S-P	2.500	3.010	2.652	0.255	0.450
WR262312-025-045S-P	2.625	3.125	2.777	0.255	0.450
WR275312-018-034S-P	2.750	3.135	2.827	0.195	0.343
WR275325-020-040S-R	2.750	3.250	3.000	0.208	0.400

549 * Nominal Dimensions

Fluid **Power**

The Hydraulic Seal Specialists

WR-S

Imperial **W**iper **R**ing Style **S**



Part Number	*Ød1	*ØD1	*Ød2	*L1	H
WR275325-025-045S-P	2.750	3.260	2.902	0.255	0.450
WR295350-027-062S-P	2.950	3.510	3.146	0.275	0.625
WR300337-018-040S-P	3.000	3.385	3.077	0.195	0.400
WR300350-020-040S-R	3.000	3.500	3.250	0.208	0.400
WR300350-025-045S-P	3.000	3.510	3.152	0.255	0.450
WR316373-028-062S-P	3.165	3.744	3.317	0.284	0.625
WR325375-020-040S-R	3.250	3.750	3.500	0.208	0.400
WR325375-025-045S-P	3.250	3.760	3.402	0.255	0.450
WR337387-020-040S-R	3.375	3.875	3.625	0.208	0.400
WR345400-027-062S-P	3.450	4.010	3.646	0.275	0.625
WR350387-018-034S-P	3.500	3.885	3.577	0.195	0.343
WR350400-020-040S-R	3.500	4.000	3.750	0.208	0.400
WR350400-025-045S-P	3.500	4.010	3.652	0.255	0.450
WR362412-020-040S-R	3.625	4.125	3.875	0.208	0.400
WR362412-025-045S-P	3.625	4.125	3.777	0.255	0.450
WR375425-025-045S-P	3.750	4.260	3.902	0.255	0.450
WR400450-020-040S-R	4.000	4.500	4.250	0.208	0.400
WR400450-025-045S-P	4.000	4.510	4.152	0.255	0.450
WR425475-020-040S-R	4.250	4.750	4.500	0.208	0.400
WR425475-025-045S-P	4.250	4.760	4.402	0.255	0.450
WR437487-020-040S-R	4.375	4.875	4.625	0.208	0.400
WR450500-020-040S-R	4.500	5.000	4.750	0.208	0.400
WR450500-025-045S-P	4.500	5.010	4.652	0.255	0.450
WR462512-020-040S-R	4.625	5.125	4.875	0.208	0.400
WR475525-020-040S-R	4.750	5.250	5.000	0.208	0.400
WR475525-025-045S-P	4.750	5.260	4.902	0.255	0.450
WR500550-020-040S-R	5.000	5.500	5.250	0.208	0.400
WR500550-025-045S-P	5.000	5.510	5.152	0.255	0.450
WR512562-020-040S-R	5.125	5.625	5.375	0.208	0.400
WR537587-020-040S-R	5.375	5.875	5.625	0.208	0.400
WR550600-020-040S-R	5.500	6.000	5.750	0.208	0.400
WR550600-025-045S-P	5.500	6.010	5.652	0.255	0.450
WR562612-020-040S-R	5.625	6.125	5.875	0.208	0.400
WR600650-020-040S-R	6.000	6.500	6.250	0.208	0.400
WR600650-025-045S-R	6.000	6.510	6.152	0.255	0.450

* Nominal Dimensions

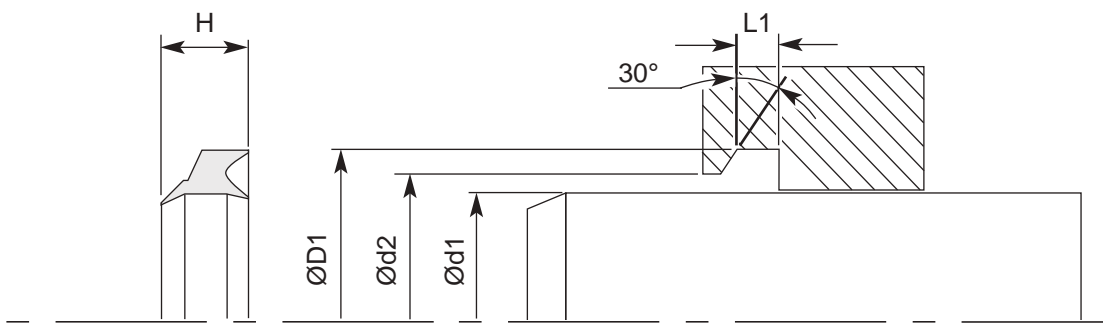
Fluid Power

The Hydraulic Seal Specialists



WR-SU

Imperial **W**iper **R**ing Style **S** with a **U** groove in the base



Tolerances

ØD1	Ød1	Ød2	L1
+0.005 -0.000	Refer to seal section	+0.005 -0.000	+0.005 -0.000

Operating Conditions

	Polyurethane	Nitrile
Temp Range	-30 to +100°C	-30 to +100°C
Max Speed	1 m/s	1 m/s

WR-SU is a light to medium duty wiper manufactured in Polyurethane or Nitrile rubber. The WR-SU style is designed to remove contaminants from the rod during the negative stroke to prevent them getting into the cylinder and to collect fluid film on the positive stroke. This is an ideal wiper where zero leakage is required.

Fluid **Power**

The Hydraulic Seal Specialists

WR-SUImperial **W**iper **R**ing Style **S** with a **U** groove in the base

Part Number	*Ød1	*ØD1	*Ød2	*L1	H
WR050075-015-027SU-P	0.500	0.760	0.625	0.155	0.275
WR050075-015-027SU-R	0.500	0.760	0.625	0.155	0.275
WR062087-015-027SU-P	0.625	0.885	0.750	0.155	0.275
WR062087-015-027SU-R	0.625	0.885	0.750	0.155	0.275
WR075112-019-035SU-P	0.750	1.135	0.832	0.195	0.350
WR075112-019-035SU-R	0.750	1.135	0.832	0.195	0.350
WR087125-019-035SU-P	0.875	1.260	0.957	0.195	0.350
WR087125-019-035SU-R	0.875	1.260	0.957	0.195	0.350
WR100137-019-035SU-P	1.000	1.385	1.082	0.195	0.350
WR100137-019-035SU-R	1.000	1.385	1.082	0.195	0.350
WR112150-019-035SU-P	1.125	1.510	1.207	0.195	0.350
WR112150-019-035SU-R	1.125	1.510	1.207	0.195	0.350
WR125162-019-035SU-P	1.250	1.635	1.332	0.195	0.350
WR125162-019-035SU-R	1.250	1.635	1.332	0.195	0.350
WR137175-019-035SU-P	1.375	1.760	1.457	0.195	0.350
WR137175-019-035SU-R	1.375	1.760	1.457	0.195	0.350
WR150187-019-035SU-P	1.500	1.885	1.582	0.195	0.350
WR150187-019-035SU-R	1.500	1.885	1.582	0.195	0.350
WR162200-019-035SU-P	1.625	2.010	1.707	0.195	0.350
WR162200-019-035SU-R	1.625	2.010	1.707	0.195	0.350
WR175212-019-035SU-P	1.750	2.135	1.832	0.195	0.350
WR175212-019-035SU-R	1.750	2.135	1.832	0.195	0.350
WR200237-019-035SU-P	2.000	2.375	2.082	0.195	0.350
WR200237-019-035SU-R	2.000	2.375	2.082	0.195	0.350
WR212250-019-035SU-P	2.125	2.510	2.207	0.195	0.350
WR212250-019-035SU-R	2.125	2.510	2.207	0.195	0.350
WR225275-025-045SU-P	2.250	2.760	2.407	0.255	0.450
WR225275-025-045SU-R	2.250	2.760	2.407	0.255	0.450
WR245300-028-050SU-R	2.450	3.010	2.607	0.285	0.500
WR250287-019-035SU-P	2.500	2.885	2.537	0.195	0.350
WR250287-019-035SU-R	2.500	2.885	2.537	0.195	0.350
WR250300-025-045SU-P	2.500	3.010	2.657	0.255	0.450
WR250300-025-045SU-R	2.500	3.010	2.657	0.255	0.450
WR262312-025-045SU-P	2.625	3.135	2.782	0.255	0.450
WR262312-025-045SU-R	2.625	3.135	2.782	0.255	0.450
WR275325-025-045SU-P	2.750	3.260	2.907	0.255	0.450
WR275325-025-045SU-R	2.750	3.260	2.907	0.255	0.450
WR300350-025-045SU-P	3.000	3.510	3.157	0.255	0.450
WR300350-025-045SU-R	3.000	3.510	3.157	0.255	0.450
WR312362-025-045SU-R	3.125	3.635	3.282	0.255	0.450

* Nominal Dimensions

Fluid Power

The Hydraulic Seal Specialists



WR-SU

Imperial **W**iper **R**ing Style **S** with a **U** groove in the base

Part Number	*Ød1	*ØD1	*Ød2	*L1	H
WR325375-025-045SU-P	3.250	3.760	3.407	0.255	0.450
WR325375-025-045SU-R	3.250	3.760	3.407	0.255	0.450
WR337387-025-045SU-P	3.375	3.885	3.532	0.255	0.450
WR350387-019-035SU-P	3.500	3.885	3.532	0.195	0.350
WR350400-025-045SU-P	3.500	4.010	3.657	0.255	0.450
WR350400-025-045SU-R	3.500	4.010	3.657	0.255	0.450
WR362412-025-045SU-R	3.625	4.135	3.782	0.255	0.450
WR375425-025-045SU-P	3.750	4.260	3.907	0.255	0.450
WR400450-025-045SU-P	4.000	4.510	4.157	0.255	0.450
WR400450-025-045SU-R	4.000	4.510	4.157	0.255	0.450
WR406456-025-045SU-P	4.062	4.572	4.219	0.255	0.450
WR450500-025-045SU-P	4.500	5.010	4.657	0.255	0.450
WR450500-025-045SU-R	4.500	5.010	4.657	0.255	0.450
WR475525-025-045SU-R	4.750	5.260	4.907	0.255	0.450
WR487537-025-045SU-P	4.875	5.385	5.032	0.255	0.450
WR500550-025-045SU-P	5.000	5.510	5.157	0.255	0.450
WR500550-025-045SU-R	5.000	5.510	5.157	0.255	0.450
WR525575-025-045SU-R	5.250	5.760	5.407	0.255	0.450
WR537587-025-045SU-P	5.375	5.885	5.532	0.255	0.450
WR600650-025-045SU-P	6.000	6.510	6.157	0.255	0.450
WR600650-025-045SU-R	6.000	6.510	6.157	0.255	0.450
WR700750-025-045SU-P	7.000	7.510	7.157	0.255	0.450
WR700750-025-045SU-R	7.000	7.510	7.157	0.255	0.450
WR800850-025-045SU-R	8.000	8.510	8.157	0.255	0.450
WR812862-025-045SU-P	8.125	8.630	8.282	0.255	0.450

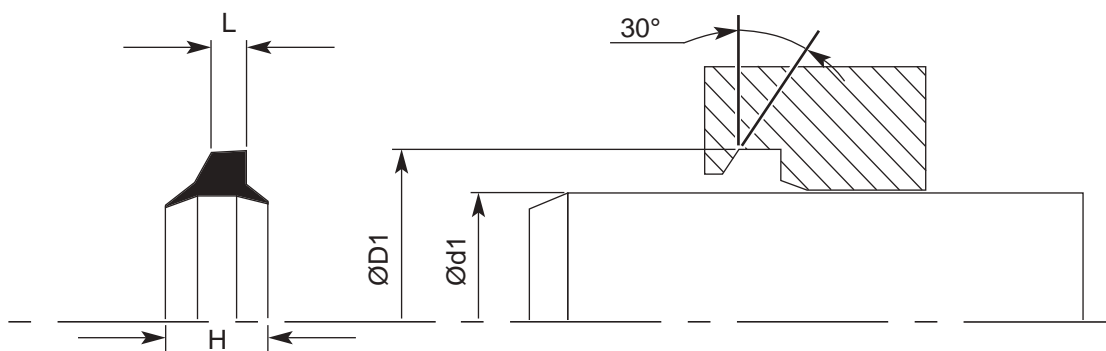


Fluid Power

The Hydraulic Seal Specialists

WR-SL

Imperial **W**iper **R**ing Style **S** with a Secondary **L**ip



Tolerances

ØD1	Ød1	L1
Tolerances for this range are not known.		

Operating Conditions

Temp Range	-30 to +100°C
Max Speed	3 m/s

WR-SL is a medium duty wiper manufactured in Nitrile rubber. The WR-SL style wiper is designed to remove contaminants from the rod during the negative stroke to prevent them getting into the cylinder and to collect fluid film on the positive stroke.

This style of wiper is slowly being phased out and should only be used for spares. For new builds other styles of wiper should be considered.



Fluid Power

The Hydraulic Seal Specialists



WR-SL

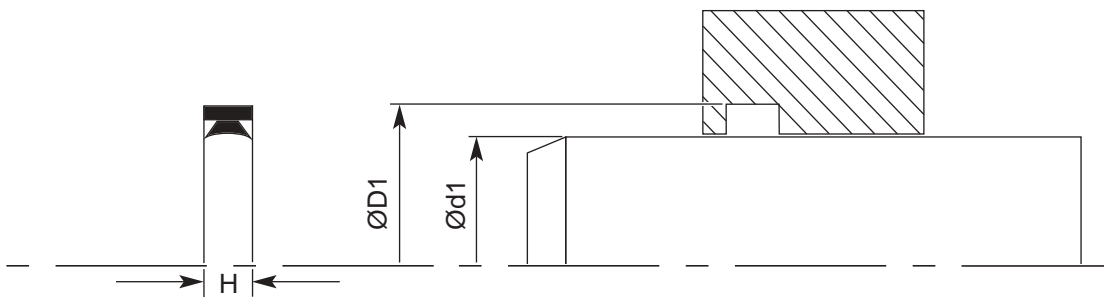
Imperial **W**iper **R**ing Style **S** with a Secondary **L**ip

Part Number	*Ød1	*ØD1	L	H
WR100150-018-050SL-R	1.000	1.500	0.187	0.500
WR150200-018-050SL-R	1.500	2.000	0.187	0.500
WR175225-018-050SL-R	1.750	2.250	0.187	0.500
WR200250-018-050SL-R	2.000	2.500	0.187	0.500
WR275325-018-050SL-R	2.750	3.250	0.187	0.500
WR300350-018-050SL-R	3.000	3.500	0.187	0.500
WR350400-018-050SL-R	3.500	4.000	0.187	0.500
WR425475-018-050SL-R	4.250	4.750	0.187	0.500
WR525575-018-050SL-R	5.250	5.750	0.187	0.500

Fluid Power

The Hydraulic Seal Specialists

WR-H Imperial Wiper Ring Style H



Tolerances

$\varnothing D1$	$\varnothing d1$	L1
------------------	------------------	----

Tolerances for this range are not known.

Operating Conditions

Temp Range	-30 to +100°C
Max Speed	3 m/s

WR-H is a medium duty wiper manufactured in Nitrile rubber. The WR-H style wiper is designed to remove contaminants from the rod during the negative stroke to prevent them getting into the cylinder and to collect fluid film on the positive stroke.

This style of wiper is slowly being phased out and should only be used for spares. For new builds other styles of wiper should be considered.

Fluid Power

The Hydraulic Seal Specialists



WR-H

Imperial **W**iper **R**ing Style **H**

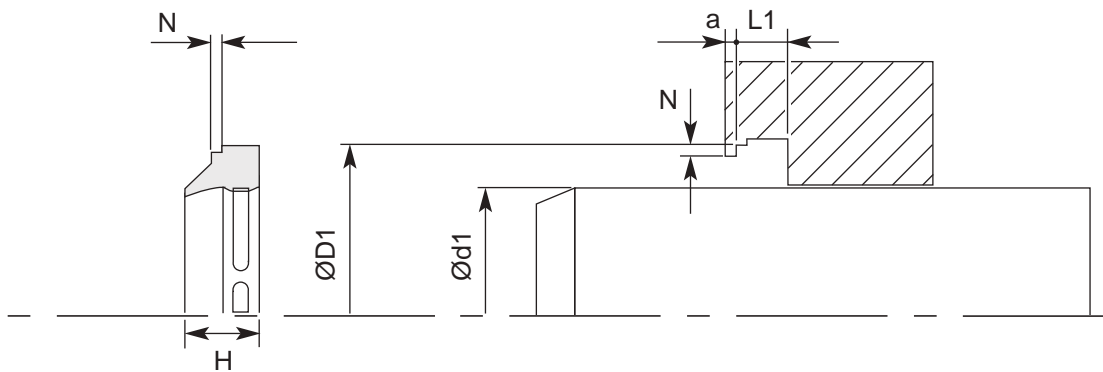
Part Number	*Ød1	*ØD1	H
WR075106-025H-R	0.750	1.062	0.250
WR112143-025H-R	1.125	1.437	0.250
WR137168-025H-R	1.375	1.687	0.250
WR150181-025H-R	1.500	1.812	0.250

Fluid Power

The Hydraulic Seal Specialists

WR-A1

Metric **W**iper **R**ing Style **A1**



Tolerances

ØD1	Ød1	a	n	L1
H11	Refer to seal section	±0.20	±0.10	+0.15

Operating Conditions

	Polyurethane	Nitrile
Temp Range	-30 to +100°C	-30 to +100°C
Max Speed	2 m/s	2 m/s

WR-A1 is manufactured in either Polyurethane or Nitrile rubber and designed to remove contaminants from the rod during the negative. This is achieved through oversized diameters which provide an assembly preload and therefore offering good protection against impurities.

Fluid Power

The Hydraulic Seal Specialists



WR-A1

Metric **W**iper **R**ing Style **A1**

Part Number	*Ød1	*ØD1	*L1	H	n	a
WR4-12-4-7A1-R	4.00	12.00	4.00	7.00	1.00	1.00
WR5-8-2-4A1-R	5.00	8.00	2.20	4.00	1.00	1.00
WR6-10-2-4A1-R	6.00	10.00	2.20	4.00	1.00	1.00
WR8-14-2.6-5A1-R	8.00	14.00	2.60	5.00	1.00	1.00
WR8-16-4-7A1-R	8.00	16.00	4.00	7.00	1.00	1.00
WR10-16-2.6-5A1-R	10.00	16.00	2.60	5.00	1.00	1.00
WR10-18-4-7A1-P	10.00	18.00	4.00	7.00	1.00	1.00
WR10-18-4-7A1-R	10.00	18.00	4.00	7.00	1.00	1.00
WR12-18-2.6-5A1-R	12.00	18.00	2.60	5.00	1.00	1.00
WR12-20-4-7A1-P	12.00	20.00	4.00	7.00	1.00	1.00
WR12-20-4-7A1-R	12.00	20.00	4.00	7.00	1.00	1.00
WR14-20-3-5A1-R	14.00	20.00	3.10	5.00	1.00	1.00
WR14-22-4-7A1-P	14.00	22.00	4.00	7.00	1.00	1.00
WR14-22-4-7A1-R	14.00	22.00	4.00	7.00	1.00	1.00
WR15-23-4-7A1-R	15.00	23.00	4.00	7.00	1.00	1.00
WR16-22-3-5A1-R	16.00	22.00	3.10	5.00	1.00	1.00
WR16-24-4-7A1-P	16.00	24.00	4.00	7.00	1.00	1.00
WR16-24-4-7A1-R	16.00	24.00	4.00	7.00	1.00	1.00
WR17-25-4-7A1-R	17.00	25.00	4.00	7.00	1.00	1.00
WR18-24-3-5A1-R	18.00	24.00	3.10	5.00	1.00	1.00
WR18-26-4-7A1-P	18.00	26.00	4.00	7.00	1.00	1.00
WR18-26-4-7A1-R	18.00	26.00	4.00	7.00	1.00	1.00
WR20-26-3-5A1-R	20.00	26.00	3.10	5.00	1.00	1.00
WR20-28-4-7A1-P	20.00	28.00	4.00	7.00	1.00	1.00
WR20-28-4-7A1-R	20.00	28.00	4.00	7.00	1.00	1.00
WR22-30-4-7A1-P	22.00	30.00	4.00	7.00	1.00	1.00
WR22-30-4-7A1-R	22.00	30.00	4.00	7.00	1.00	1.00
WR23-31-4-7A1-R	23.00	31.00	4.00	7.00	1.00	1.00
WR24-32-4-7A1-R	24.00	32.00	4.00	7.00	1.00	1.00
WR25-33-4-7A1-P	25.00	33.00	4.00	7.00	1.00	1.00
WR25-33-4-7A1-R	25.00	33.00	4.00	7.00	1.00	1.00
WR25-34-5-8A1-R	25.00	34.00	5.00	8.00	1.00	1.00
WR26-34-4-7A1-P	26.00	34.00	4.00	7.00	1.00	1.00
WR26-34-4-7A1-R	26.00	34.00	4.00	7.00	1.00	1.00
WR28-36-4-7A1-P	28.00	36.00	4.00	7.00	1.00	1.00
WR28-36-4-7A1-R	28.00	36.00	4.00	7.00	1.00	1.00
WR30-38-4-7A1-P	30.00	38.00	4.00	7.00	1.00	1.00
WR30-38-4-7A1-R	30.00	38.00	4.00	7.00	1.00	1.00
WR32-40-4-7A1-P	32.00	40.00	4.00	7.00	1.00	1.00
WR32-40-4-7A1-R	32.00	40.00	4.00	7.00	1.00	1.00

559 * Nominal Dimensions

Fluid Power

The Hydraulic Seal Specialists

WR-A1

Metric **W**iper **R**ing Style **A1**



Part Number	*Ød1	*ØD1	*L1	H	n	a
WR33-41-4-7A1-R	33.00	41.00	4.00	7.00	1.00	1.00
WR34-42-4-7A1-P	34.00	42.00	4.00	7.00	1.00	1.00
WR34-42-4-7A1-R	34.00	42.00	4.00	7.00	1.00	1.00
WR35-43-4-7A1-P	35.00	43.00	4.00	7.00	1.00	1.00
WR35-43-4-7A1-R	35.00	43.00	4.00	7.00	1.00	1.00
WR35-45-4-7A1-P	35.00	45.00	4.00	7.00	1.00	1.00
WR35-45-4-7A1-R	35.00	45.00	4.00	7.00	1.00	1.00
WR36-44-4-7A1-P	36.00	44.00	4.00	7.00	1.00	1.00
WR36-44-4-7A1-R	36.00	44.00	4.00	7.00	1.00	1.00
WR37-46-4-7A1-P	37.00	46.00	4.00	7.00	1.00	1.00
WR38-46-4-7A1-P	38.00	46.00	4.00	7.00	1.00	1.00
WR38-46-4-7A1-R	38.00	46.00	4.00	7.00	1.00	1.00
WR40-48-4-7A1-P	40.00	48.00	4.00	7.00	1.00	1.00
WR40-48-4-7A1-R	40.00	48.00	4.00	7.00	1.00	1.00
WR42-50-4-7A1-P	42.00	50.00	4.00	7.00	1.00	1.00
WR42-50-4-7A1-R	42.00	50.00	4.00	7.00	1.00	1.00
WR44-52-4-7A1-R	44.00	52.00	4.00	7.00	1.00	1.00
WR45-53-4-7A1-P	45.00	53.00	4.00	7.00	1.00	1.00
WR45-53-4-7A1-R	45.00	53.00	4.00	7.00	1.00	1.00
WR45-56-4-7A1-R	45.00	56.00	4.00	7.00	1.00	1.00
WR46-54-4-7A1-R	46.00	54.00	4.00	7.00	1.00	1.00
WR47-55-4-7A1-R	47.00	55.00	4.00	7.00	1.00	1.00
WR47-58-5-8A1-R	47.00	58.00	5.00	8.00	1.00	1.00
WR48-56-4-7A1-P	48.00	56.00	4.00	7.00	1.00	1.00
WR48-56-4-7A1-R	48.00	56.00	4.00	7.00	1.00	1.00
WR50-58-4-7A1-P	50.00	58.00	4.00	7.00	1.00	1.00
WR50-58-4-7A1-R	50.00	58.00	4.00	7.00	1.00	1.00
WR50-62-5.5-10A1-P	50.00	62.00	5.50	10.00	1.00	1.00
WR50-62-5.5-10A1-R	50.00	62.00	5.50	10.00	1.00	1.00
WR52-60-4-7A1-R	52.00	60.00	4.00	7.00	1.00	1.00
WR54-62-4-7A1-R	54.00	62.00	4.00	7.00	1.00	1.00
WR55-63-4-7A1-P	55.00	63.00	4.00	7.00	1.00	1.00
WR55-63-4-7A1-R	55.00	63.00	4.00	7.00	1.00	1.00
WR56-64-4-7A1-P	56.00	64.00	4.00	7.00	1.00	1.00
WR56-64-4-7A1-R	56.00	64.00	4.00	7.00	1.00	1.00
WR57-65-4-7A1-R	57.00	65.00	4.00	7.00	1.00	1.00
WR58-66-4-7A1-R	58.00	66.00	4.00	7.00	1.00	1.00
WR60-68-4-7A1-P	60.00	68.00	4.00	7.00	1.00	1.00
WR60-68-4-7A1-R	60.00	68.00	4.00	7.00	1.00	1.00
WR60-70-5.5-9A1-P	60.00	70.00	5.50	9.00	1.50	1.50

* Nominal Dimensions

Fluid Power

The Hydraulic Seal Specialists



WR-A1

Metric **W**iper **R**ing Style **A1**

Part Number	*Ød1	*ØD1	*L1	H	n	a
WR60-72-5.5-10A1-R	60.00	72.00	5.50	10.00	1.50	1.50
WR62-70-4-7A1-P	62.00	70.00	4.00	7.00	1.00	1.00
WR62-70-4-7A1-R	62.00	70.00	4.00	7.00	1.00	1.00
WR63-71-4-7A1-P	63.00	71.00	4.00	7.00	1.00	1.00
WR63-71-4-7A1-R	63.00	71.00	4.00	7.00	1.00	1.00
WR64-72-4-7A1-R	64.00	72.00	4.00	7.00	1.00	1.00
WR65-73-4-7A1-P	65.00	73.00	4.00	7.00	1.00	1.00
WR65-73-4-7A1-R	65.00	73.00	4.00	7.00	1.00	1.00
WR66-74-4-7A1-R	66.00	74.00	4.00	7.00	1.00	1.00
WR67-75-4-7A1-R	67.00	75.00	4.00	7.00	1.00	1.00
WR68-76-4-7A1-R	68.00	76.00	4.00	7.00	1.00	1.00
WR70-78-4-7A1-P	70.00	78.00	4.00	7.00	1.00	1.00
WR70-78-4-7A1-R	70.00	78.00	4.00	7.00	1.00	1.00
WR70-82-5.5-10A1-P	70.00	82.00	5.50	10.00	1.50	1.50
WR72-80-4-7A1-R	72.00	80.00	4.00	7.00	1.00	1.00
WR73-81-4-7A1-R	73.00	81.00	4.00	7.00	1.00	1.00
WR75-83-4-7A1-P	75.00	83.00	4.00	7.00	1.00	1.00
WR75-83-4-7A1-R	75.00	83.00	4.00	7.00	1.00	1.00
WR78-86-4-7A1-P	78.00	86.00	4.00	7.00	1.00	1.00
WR78-86-4-7A1-R	78.00	86.00	4.00	7.00	1.00	1.00
WR80-88-4-7A1-P	80.00	88.00	4.00	7.00	1.00	1.00
WR80-88-4-7A1-R	80.00	88.00	4.00	7.00	1.00	1.00
WR80-92-5.5-10A1-P	80.00	92.00	5.50	10.00	1.50	1.50
WR82-90-4-7A1-R	82.00	90.00	4.00	7.00	1.00	1.00
WR83-91-4-7A1-R	83.00	91.00	4.00	7.00	1.00	1.00
WR85-93-4-7A1-P	85.00	93.00	4.00	7.00	1.00	1.00
WR85-93-4-7A1-R	85.00	93.00	4.00	7.00	1.00	1.00
WR86-94-4-7A1-R	86.00	94.00	4.00	7.00	1.00	1.00
WR88-96-4-7A1-R	88.00	96.00	4.00	7.00	1.00	1.00
WR90-98-4-7A1-P	90.00	98.00	4.00	7.00	1.00	1.00
WR90-98-4-7A1-R	90.00	98.00	4.00	7.00	1.00	1.00
WR92-100-4-7A1-R	92.00	100.00	4.00	7.00	1.00	1.00
WR93-101-4-7A1-R	93.00	101.00	4.00	7.00	1.00	1.00
WR95-103-4-7A1-P	95.00	103.00	4.00	7.00	1.00	1.00
WR95-103-4-7A1-R	95.00	103.00	4.00	7.00	1.00	1.00
WR97-105-4-7A1-P	97.00	105.00	4.00	7.00	1.00	1.00
WR97-105-4-7A1-R	97.00	105.00	4.00	7.00	1.00	1.00
WR100-108-4-7A1-P	100.00	108.00	4.00	7.00	1.00	1.00
WR100-108-4-7A1-R	100.00	108.00	4.00	7.00	1.00	1.00
WR105-117-5.5-10A1-P	105.00	117.00	5.50	10.00	1.50	1.50

561 * Nominal Dimensions

Fluid Power

The Hydraulic Seal Specialists

WR-A1

Metric Wiper Ring Style A1



Part Number	*Ød1	*ØD1	*L1	H	n	a
WR105-117-5.5-10A1-R	105.00	117.00	5.50	10.00	1.50	1.50
WR106-118-5.5-10A1-P	106.00	118.00	5.50	10.00	1.50	1.50
WR110-118-4-7A1-R	110.00	118.00	4.00	7.00	1.00	1.00
WR110-122-5.5-10A1-P	110.00	122.00	5.50	10.00	1.50	1.50
WR110-122-5.5-10A1-R	110.00	122.00	5.50	10.00	1.50	1.50
WR112-124-5.5-10A1-R	112.00	124.00	5.50	10.00	1.50	1.50
WR113-121-4-7A1-R	113.00	121.00	4.00	7.00	1.00	1.00
WR114-122-4-7A1-R	114.00	122.00	4.00	7.00	1.00	1.00
WR115-127-5.5-10A1-R	115.00	127.00	5.50	10.00	1.50	1.50
WR117-129-5.5-10A1-P	117.00	129.00	5.50	10.00	1.50	1.50
WR118-130-5.5-10A1-R	118.00	130.00	5.50	10.00	1.50	1.50
WR120-132-5.5-10A1-P	120.00	132.00	5.50	10.00	1.50	1.50
WR120-132-5.5-10A1-R	120.00	132.00	5.50	10.00	1.50	1.50
WR125-137-5.5-10A1-P	125.00	137.00	5.50	10.00	1.50	1.50
WR125-137-5.5-10A1-R	125.00	137.00	5.50	10.00	1.50	1.50
WR128-140-5.5-10A1-P	128.00	140.00	5.50	10.00	1.50	1.50
WR128-140-5.5-10A1-R	128.00	140.00	5.50	10.00	1.50	1.50
WR130-142-5.5-10A1-P	130.00	142.00	5.50	10.00	1.50	1.50
WR130-142-5.5-10A1-R	130.00	142.00	5.50	10.00	1.50	1.50
WR131-139-4-7A1-R	131.00	139.00	4.00	7.00	1.00	1.00
WR135-147-5.5-10A1-R	135.00	147.00	5.50	10.00	1.50	1.50
WR140-152-5.5-10A1-P	140.00	152.00	5.50	10.00	1.50	1.50
WR140-152-5.5-10A1-R	140.00	152.00	5.50	10.00	1.50	1.50
WR142-154-5.5-10A1-R	142.00	154.00	5.50	10.00	1.50	1.50
WR145-157-5.5-10A1-P	145.00	157.00	5.50	10.00	1.50	1.50
WR145-157-5.5-10A1-R	145.00	157.00	5.50	10.00	1.50	1.50
WR149-157-4-7A1-R	149.00	157.00	4.00	7.00	1.00	1.00
WR150-162-5.5-10A1-P	150.00	162.00	5.50	10.00	1.50	1.50
WR150-162-5.5-10A1-R	150.00	162.00	5.50	10.00	1.50	1.50
WR155-167-5.5-10A1-R	155.00	167.00	5.50	10.00	1.50	1.50
WR160-172-5.5-10A1-R	160.00	172.00	5.50	10.00	1.50	1.50
WR165-177-5.5-10A1-R	165.00	177.00	5.50	10.00	1.50	1.50
WR166-178-5.5-10A1-P	166.00	178.00	5.50	10.00	1.50	1.50
WR166-178-5.5-10A1-R	166.00	178.00	5.50	10.00	1.50	1.50
WR170-182-5.5-10A1-P	170.00	182.00	5.50	10.00	1.50	1.50
WR170-182-5.5-10A1-R	170.00	182.00	5.50	10.00	1.50	1.50
WR175-187-5.5-10A1-R	175.00	187.00	5.50	10.00	1.50	1.50
WR180-192-5.5-10A1-P	180.00	192.00	5.50	10.00	1.50	1.50
WR180-192-5.5-10A1-R	180.00	192.00	5.50	10.00	1.50	1.50
WR190-202-5.5-10A1-P	190.00	202.00	5.50	10.00	1.50	1.50

* Nominal Dimensions

Fluid Power

The Hydraulic Seal Specialists



WR-A1

Metric **W**iper **R**ing Style **A1**

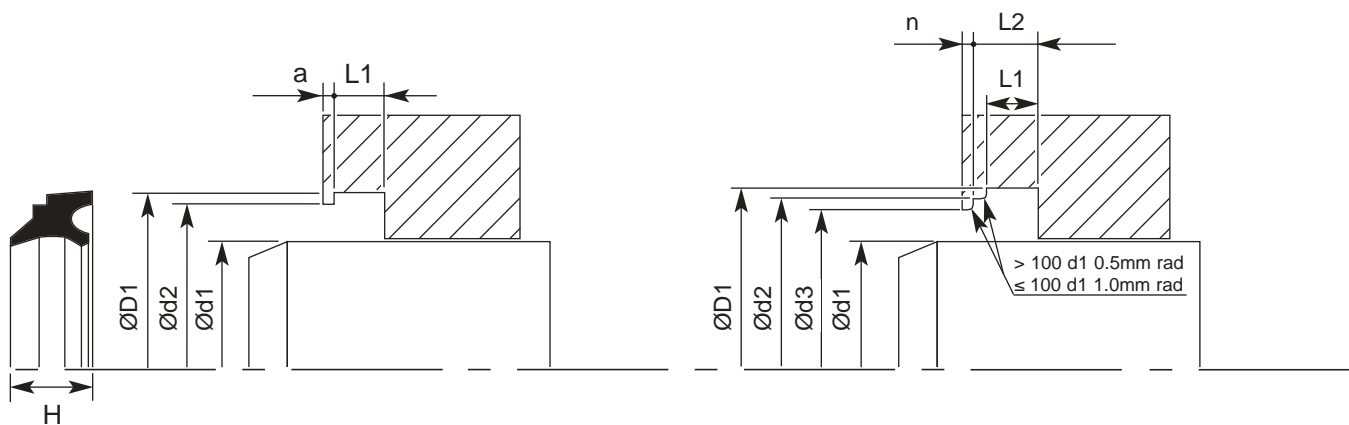
Part Number	*Ød1	*ØD1	*L1	H	n	a
WR190-202-5.5-10A1-R	190.00	202.00	5.50	10.00	1.50	1.50
WR195-207-5.5-10A1-R	195.00	207.00	5.50	10.00	1.50	1.50
WR200-212-5.5-10A1-P	200.00	212.00	5.50	10.00	1.50	1.50
WR200-212-5.5-10A1-R	200.00	212.00	5.50	10.00	1.50	1.50
WR210-218-4-7A1-R	210.00	218.00	4.00	7.00	1.00	1.00
WR210-225-6.5-13A1-R	210.00	225.00	6.50	13.00	2.00	2.00
WR220-235-6.5-13A1-P	220.00	235.00	6.50	13.00	2.00	2.00
WR220-235-6.5-13A1-R	220.00	235.00	6.50	13.00	2.00	2.00
WR230-245-6.5-13A1-P	230.00	245.00	6.50	13.00	2.00	2.00
WR230-245-6.5-13A1-R	230.00	245.00	6.50	13.00	2.00	2.00
WR235-250-6.5-13A1-R	235.00	250.00	6.50	13.00	2.00	2.00
WR240-255-6.5-13A1-P	240.00	255.00	6.50	13.00	2.00	2.00
WR240-255-6.5-13A1-R	240.00	255.00	6.50	13.00	2.00	2.00
WR250-265-6.5-13A1-R	250.00	265.00	6.50	13.00	2.00	2.00
WR260-275-6.5-13A1-P	260.00	275.00	6.50	13.00	2.00	2.00
WR260-275-6.5-13A1-R	260.00	275.00	6.50	13.00	2.00	2.00
WR265-280-6.5-13A1-R	265.00	280.00	6.50	13.00	2.00	2.00
WR300-315-6.5-13A1-R	300.00	315.00	6.50	13.00	2.00	2.00
WR305-320-6.5-13A1-R	305.00	320.00	6.50	13.00	2.00	2.00
WR310-325-6.5-13A1-R	310.00	325.00	6.50	13.00	2.00	2.00
WR315-330-6.5-13A1-R	315.00	330.00	6.50	13.00	2.00	2.00
WR320-335-6.5-13A1-R	320.00	335.00	6.50	13.00	2.00	2.00
WR340-355-6.5-13A1-R	340.00	355.00	6.50	13.00	2.00	2.00
WR365-380-6.5-13A1-R	365.00	380.00	6.50	13.00	2.00	2.00
WR400-415-6.5-13A1-R	400.00	415.00	6.50	13.00	2.00	2.00
WR450-465-6.5-13A1-R	450.00	465.00	6.50	13.00	2.00	2.00
WR500-515-6.5-13A1-R	500.00	515.00	6.50	13.00	2.00	2.00



Fluid Power

The Hydraulic Seal Specialists

WR-DA Metric Wiper Ring Style DA



Tolerances

ØD1	Ød1	Ød2	Ød3	L1	L2
H10	Refer to seal section	js10	H11	+0.20	+0.20

Operating Conditions

Temp Range	-30 to +100°C
Max Speed	2 m/s

WR-DA is a light to medium duty wiper manufactured in Nitrile rubber. The WR-DA style is designed to remove contaminants from the rod during the negative stroke to prevent them getting into the cylinder and to collect fluid film on the positive stroke. This is an ideal wiper where zero leakage is required.



Fluid **Power**

The Hydraulic Seal Specialists



WR-DA

Metric **W**iper **R**ing Style **DA**

Part Number	*Ød1	*ØD1	*L1	*L2	H	*Ød2	*Ød3	n
WR6-11-3.3-5DA-R	6.00	11.20	3.60	4.60	5.00	9.10	8.10	1.00
WR8-14-3.3-5DA-R	8.00	14.20	3.60	4.60	5.00	12.10	12.10	1.00
WR10-16-4-6DA-R	10.00	16.20	4.20	5.20	6.00	14.10	13.10	1.20
WR10-18-4-8DA-R	10.00	18.00	4.00	6.00	8.00	16.00	13.50	2.00
WR12-20-4-8DA-R	12.00	20.00	4.00	6.00	8.00	18.00	15.50	2.00
WR14-22-4-8DA-R	14.00	22.00	4.00	6.00	8.00	20.00	17.50	2.00
WR15-23-4-8DA-R	15.00	23.00	4.00	6.00	8.00	21.00	18.50	2.00
WR16-24-4-8DA-R	16.00	24.00	4.00	6.00	8.00	22.00	19.50	2.00
WR18-26-4-8DA-R	18.00	26.00	4.00	6.00	8.00	24.00	21.50	2.00
WR20-28-4-8DA-R	20.00	28.00	4.00	6.00	8.00	26.00	23.50	2.00
WR22-30-4-8DA-R	22.00	30.00	4.00	6.00	8.00	28.00	25.50	2.00
WR24-32-4-8DA-R	24.00	32.00	4.00	6.00	8.00	30.00	27.50	2.00
WR25-33-4-8DA-R	25.00	33.00	4.00	6.00	8.00	31.00	28.50	2.00
WR26-34-4-8DA-R	26.00	34.00	4.00	6.00	8.00	32.00	29.50	2.00
WR28-36-4-8DA-R	28.00	36.00	4.00	6.00	8.00	34.00	31.50	2.00
WR30-38-4-8DA-R	30.00	38.00	4.00	6.00	8.00	36.00	33.50	2.00
WR32-40-4-8DA-R	32.00	40.00	4.00	6.00	8.00	38.00	35.50	2.00
WR35-43-4-8DA-R	35.00	43.00	4.00	6.00	8.00	41.00	38.50	2.00
WR36-44-4-8DA-R	36.00	44.00	4.00	6.00	8.00	42.00	39.50	2.00
WR37-45-4-8DA-R	37.00	45.00	4.00	6.00	8.00	43.00	40.50	2.00
WR38-46-4-8DA-R	38.00	46.00	4.00	6.00	8.00	44.00	41.50	2.00
WR40-48-4-8DA-R	40.00	48.00	4.00	6.00	8.00	46.00	43.50	2.00
WR42-50-4-8DA-R	42.00	50.00	4.00	6.00	8.00	48.00	45.50	2.00
WR45-53-4-8DA-R	45.00	53.00	4.00	6.00	8.00	51.00	48.50	2.00
WR46-54-4-8DA-R	46.00	54.00	4.00	6.00	8.00	52.00	49.50	2.00
WR48-56-4-8DA-R	48.00	56.00	4.00	6.00	8.00	54.00	51.50	2.00
WR50-58-4-8DA-R	50.00	58.00	4.00	6.00	8.00	56.00	53.50	2.00
WR52-60-4-8DA-R	52.00	60.00	4.00	6.00	8.00	58.00	55.50	2.00
WR55-63-4-8DA-R	55.00	63.00	4.00	6.00	8.00	61.00	58.50	2.00
WR56-64-4-8DA-R	56.00	64.00	4.00	6.00	8.00	62.00	59.50	2.00
WR60-68-4-8DA-R	60.00	68.00	4.00	6.00	8.00	66.00	63.50	2.00
WR63-71-4-8DA-R	63.00	71.00	4.00	6.00	8.00	69.00	66.50	2.00
WR65-73-4-8DA-R	65.00	73.00	4.00	6.00	8.00	71.00	68.50	2.00
WR68-76-4-8DA-R	68.00	76.00	4.00	6.00	8.00	74.00	71.50	2.00
WR70-78-4-8DA-R	70.00	78.00	4.00	6.00	8.00	76.00	73.50	2.00
WR75-83-4-8DA-R	75.00	83.00	4.00	6.00	8.00	81.00	78.50	2.00
WR77-85-4-8DA-R	77.00	85.00	4.00	6.00	8.00	83.00	80.00	2.00
WR80-88-4-8DA-R	80.00	88.00	4.00	6.00	8.00	86.00	83.50	2.00
WR85-93-4-8DA-R	85.00	93.00	4.00	6.00	8.00	91.00	88.50	2.00
WR90-98-4-8DA-R	90.00	98.00	4.00	6.00	8.00	96.00	93.50	2.00

565 * Nominal Dimensions

Fluid Power

The Hydraulic Seal Specialists

WR-DA

Metric **W**iper **R**ing Style **DA**



Part Number	*Ød1	*ØD1	*L1	*L2	H	*Ød2	*Ød3	n
WR95-103-4-8DA-R	95.00	103.00	4.00	6.00	8.00	101.00	98.50	2.00
WR100-108-4-8DA-R	100.00	108.00	4.00	6.00	8.00	106.00	103.50	2.00
WR105-117-5.5-11DA-R	105.00	117.00	5.50	8.20	11.00	114.00	110.00	3.00
WR110-122-5.5-11DA-R	110.00	122.00	5.50	8.20	11.00	119.00	115.00	3.00
WR115-127-5.5-11DA-R	115.00	127.00	5.50	8.20	11.00	124.00	120.00	3.00
WR120-132-5.5-11DA-R	120.00	132.00	5.50	8.20	11.00	129.00	125.00	3.00
WR125-137-5.5-11DA-R	125.00	137.00	5.50	8.20	11.00	134.00	130.00	3.00
WR130-142-5.5-11DA-R	130.00	142.00	5.50	8.20	11.00	139.00	135.00	3.00
WR135-147-5.5-11DA-R	135.00	147.00	5.50	8.20	11.00	144.00	140.00	3.00
WR140-152-5.5-11DA-R	140.00	152.00	5.50	8.20	11.00	149.00	145.00	3.00
WR145-157-5.5-11DA-R	145.00	157.00	5.50	8.20	11.00	154.00	150.00	3.00
WR150-162-5.5-11DA-R	150.00	162.00	5.50	8.20	11.00	159.00	155.00	3.00
WR155-167-5.5-11DA-R	155.00	167.00	5.50	8.20	11.00	164.00	160.00	3.00
WR160-172-5.5-11DA-R	160.00	172.00	5.50	8.20	11.00	169.00	165.00	3.00
WR165-177-5.5-11DA-R	165.00	177.00	5.50	8.20	11.00	174.00	170.00	3.00
WR170-182-5.5-11DA-R	170.00	182.00	5.50	8.20	11.00	179.00	175.00	3.00
WR175-187-5.5-11DA-R	175.00	187.00	5.50	8.20	11.00	184.00	180.00	3.00
WR180-192-5.5-11DA-R	180.00	192.00	5.50	8.20	11.00	189.00	185.00	3.00
WR185-197-5.5-11DA-R	185.00	197.00	5.50	8.20	11.00	194.00	190.00	3.00
WR190-202-5.5-11DA-R	190.00	202.00	5.50	8.20	11.00	199.00	195.00	3.00
WR195-207-5.5-11DA-R	195.00	207.00	5.50	8.20	11.00	204.00	200.00	3.00
WR200-212-5.5-11DA-R	200.00	212.00	5.50	8.20	11.00	209.00	205.00	3.00
WR205-220-6.5-13DA-R	205.00	220.00	6.50	9.50	13.00	216.00	212.00	3.00
WR210-225-6.5-13DA-R	210.00	225.00	6.50	9.50	13.00	221.00	217.00	3.00
WR220-235-6.5-13DA-R	220.00	235.00	6.50	9.50	13.00	231.00	227.00	3.00
WR225-240-6.5-13DA-R	225.00	240.00	6.50	9.50	13.00	236.00	232.00	3.00
WR240-255-6.5-13DA-R	240.00	255.00	6.50	9.50	13.00	251.00	247.00	3.00
WR245-260-6.5-13DA-R	245.00	260.00	6.50	9.50	13.00	256.00	252.00	3.00
WR250-265-6.5-13DA-R	250.00	265.00	6.50	9.50	13.00	261.00	257.00	3.00
WR260-275-6.5-13DA-R	260.00	275.00	6.50	9.50	13.00	271.00	267.00	3.00
WR265-280-6.5-13DA-R	265.00	280.00	6.50	9.50	13.00	276.00	272.00	3.00
WR275-290-6.5-13DA-R	275.00	290.00	6.50	9.50	13.00	286.00	282.00	3.00
WR280-295-6.5-13DA-R	280.00	295.00	6.50	9.50	13.00	291.00	287.00	3.00
WR290-305-6.5-13DA-R	290.00	305.00	6.50	9.50	13.00	301.00	297.00	3.00
WR300-315-6.5-13DA-R	300.00	315.00	6.50	9.50	13.00	311.00	307.00	3.00
WR310-325-6.5-13DA-R	310.00	325.00	6.50	9.50	13.00	321.00	317.00	3.00
WR320-335-6.5-13DA-R	320.00	335.00	6.50	9.50	13.00	331.00	327.00	3.00
WR350-365-6.5-13DA-R	350.00	365.00	6.50	9.50	13.00	361.00	357.00	3.00
WR360-375-6.5-13DA-R	360.00	375.00	6.50	9.50	13.00	371.00	367.00	3.00
WR400-415-6.5-13DA-R	400.00	415.00	6.50	9.50	13.00	411.00	407.00	3.00

* Nominal Dimensions

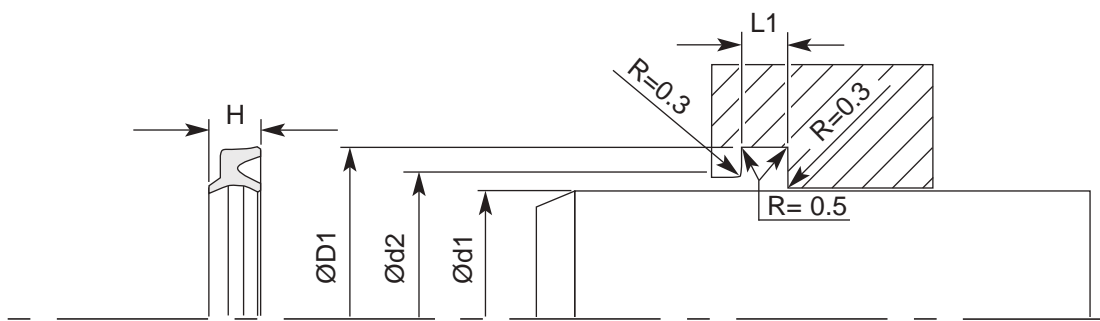
Fluid Power

The Hydraulic Seal Specialists



WR-UL

Metric **W**iper **R**ing Style **UL**



Tolerances

ØD1	Ød1	Ød2	L1
H9	Refer to seal section	H11	+0.20

Operating Conditions

	Polyurethane	Nitrile
Temp Range	-30 to +100°C	-30 to +100°C
Max Speed	2 m/s	2 m/s

WR-UL is a light to medium duty wiper manufactured in Polyurethane or Nitrile rubber. The WR-UL style is designed to remove contaminants from the rod during the negative stroke to prevent them getting into the cylinder and to collect fluid film on the positive stroke. This is an ideal wiper where zero leakage is required.

Fluid **Power**

The Hydraulic Seal Specialists

WR-UL

Metric **W**iper **R**ing Style **UL**



Part Number	*Ød1	*ØD1	*L1	*Ød2	H
WR4-8.2-2.6-4UL-P	4.00	8.20	2.80	5.80	4.00
WR10-14-3.5-4.7UL-R	10.00	14.00	4.00	11.60	4.70
WR10-16-3.6-5UL-P	10.00	16.60	3.90	12.50	5.00
WR12-16-3.5-4.7UL-R	12.00	16.00	4.00	13.60	4.70
WR12-16-3.5-4UL-P	12.00	16.50	3.60	13.70	4.00
WR12-18-3.5-5UL-P	12.00	18.60	3.80	15.00	5.00
WR12-20-5-7UL-R	12.00	20.60	5.30	15.00	7.00
WR12-22-5-6.5UL-P	12.00	22.00	5.30	16.00	6.50
WR14-20-4-6UL-P	14.00	20.00	4.00	16.50	6.00
WR14-22-4.5-6UL-P	14.00	22.00	5.00	18.30	6.00
WR16-22-4-6UL-P	16.00	22.60	4.00	19.00	5.00
WR16-24-4.5-6UL-P	16.00	24.00	5.00	20.30	6.00
WR18-24-3.5-5UL-P	18.00	24.60	3.80	21.00	5.00
WR18-26-4.5-6UL-P	18.00	26.00	5.00	22.30	6.00
WR20-26-3.8-5UL-P	20.00	26.00	4.00	22.50	5.00
WR20-28-4.5-6UL-P	20.00	28.00	5.00	24.30	6.00
WR20-28-5-7UL-P	20.00	28.60	5.30	23.00	7.00
WR20-31-5.4-7UL-P	20.00	31.00	5.40	24.00	7.00
WR22-28-3.6-5UL-P	22.00	28.00	4.00	24.50	5.00
WR22-30-5-7UL-P	22.00	30.60	5.30	25.00	7.00
WR22.4-30.4-4.5-6UL-P	22.40	30.40	5.00	26.70	6.00
WR23.5-31.5-4.5-6UL-P	23.50	31.50	5.00	27.80	6.00
WR24-32-5-7UL-P	24.00	32.60	5.30	27.00	7.00
WR25-31-3.8-5UL-P	25.00	31.00	4.00	27.50	5.00
WR25-33-4.5-6UL-P	25.00	33.00	5.00	29.30	6.00
WR25-33-5-7UL-P	25.00	33.60	5.30	28.00	7.00
WR25-35-6-7.5UL-P	25.00	35.00	7.00	29.00	7.50
WR28-36-4.5-6UL-P	28.00	36.00	5.00	31.00	6.00
WR28-36-5-7UL-P	28.00	36.60	5.30	31.00	7.00
WR30-38-4.5-6UL-P	30.00	38.00	5.00	33.00	6.00
WR30-38-5-7UL-P	30.00	38.60	5.30	33.00	7.00
WR30-40-6.5-8.5UL-R	30.00	40.00	7.00	34.00	8.50
WR31.5-39.5-5-6.5UL-P	31.50	39.50	6.00	35.50	6.50
WR32-40-5-7UL-P	32.00	40.60	5.30	35.00	7.00
WR35-43-5-7UL-P	35.00	43.60	5.30	38.00	7.00
WR35.5-43.5-5-6.5UL-P	35.50	43.50	6.00	39.50	6.50
WR36-44-4.5-6UL-P	36.00	44.00	5.00	39.00	6.00
WR36-44-5-7UL-P	36.00	44.60	5.30	39.00	7.00
WR40-48-4.5-6UL-P	40.00	48.00	4.80	43.00	6.00
WR40-48-5-7UL-P	40.00	48.60	5.30	43.00	7.00

* Nominal Dimensions

Fluid **Power**

The Hydraulic Seal Specialists



WR-UL

Metric **Wiper Ring Style UL**

Part Number	*Ød1	*ØD1	*L1	*Ød2	H
WR40-50-4.6-7UL-P	40.00	50.60	5.10	40.00	7.00
WR45-53-4.5-6UL-P	45.00	53.00	5.00	48.00	6.00
WR45-53-5-7UL-P	45.00	53.60	5.30	48.00	7.00
WR45-55-5-7UL-P	45.00	55.60	5.30	48.00	7.00
WR50-58-4.5-6UL-P	50.00	58.00	5.00	53.00	6.00
WR50-58-5-7UL-P	50.00	58.60	5.30	53.00	7.00
WR50-59-3.6-4.6UL-P	50.00	59.00	4.00	54.00	4.60
WR50-60-5-7UL-P	50.00	60.60	5.30	53.00	7.00
WR53-61-5-6.5UL-P	53.00	61.00	6.00	57.00	6.50
WR55-63-5-7UL-P	55.00	63.60	5.30	58.00	7.00
WR55-65-5-7UL-P	55.00	65.60	5.30	58.00	7.00
WR56-64-5-7UL-P	56.00	64.60	5.30	59.00	7.00
WR56-66-5.3-7UL-P	56.00	66.00	6.00	59.00	7.00
WR60-68-5-7UL-P	60.00	68.60	5.30	63.00	7.00
WR60-70-5.3-7UL-P	60.00	70.00	6.00	63.00	7.00
WR63-71-5-7UL-P	63.00	71.60	5.30	66.00	7.00
WR63-73-5-7UL-P	63.00	73.60	5.30	66.00	7.00
WR63-73-5.5-7UL-P	63.00	73.00	6.00	66.00	7.00
WR65-73-5-7UL-P	65.00	73.60	5.30	68.00	7.00
WR65-75-6-9UL-P	65.00	75.00	6.00	68.00	9.00
WR70-78-5-7UL-P	70.00	78.60	5.30	73.00	7.00
WR70-80-5-7UL-P	70.00	80.60	5.30	73.00	7.00
WR70-80-5.5-8UL-P	70.00	80.00	6.00	73.00	8.00
WR70-80-6-8UL-P	70.00	80.00	7.00	75.00	8.00
WR71-81-6-8UL-P	71.00	81.00	7.00	76.00	8.00
WR75-83-5-7UL-P	75.00	83.60	5.30	78.00	7.00
WR75-85-5.5-8UL-P	75.00	85.00	6.00	78.00	8.00
WR75-85-6-8UL-P	75.00	85.00	7.00	80.00	8.00
WR80-88-5-7UL-P	80.00	88.60	5.30	83.00	7.00
WR80-90-5.5-8UL-P	80.00	90.00	6.00	83.00	8.00
WR80-90-6-8UL-P	80.00	90.00	7.00	85.00	8.00
WR85-95-6-8UL-P	85.00	95.00	7.00	90.00	8.00
WR85-97-7-10UL-P	85.00	97.20	7.10	91.00	10.00
WR90-100-5.5-8UL-P	90.00	100.00	6.00	93.00	8.00
WR90-100-6-8UL-P	90.00	100.00	7.00	95.00	8.00
WR90-102-7-10UL-P	90.00	102.20	7.10	96.00	10.00
WR100-110-6-9UL-P	100.00	110.00	7.00	105.00	8.00
WR100-112-7-10UL-P	100.00	112.20	7.10	106.00	10.00
WR110-122-7-10UL-P	110.00	122.20	7.10	116.00	10.00
WR110-125-8.5-13UL-P	110.00	125.00	8.50	114.00	13.00

569 * Nominal Dimensions

Fluid **Power**

The Hydraulic Seal Specialists

WR-UL

Metric **W**iper **R**ing Style **UL**



Part Number	*Ød1	*ØD1	*L1	*Ød2	H
WR112-122-6-8UL-P	112.00	122.00	7.00	117.00	8.00
WR125-135-5-7UL-P	125.00	135.00	5.30	128.00	7.00
WR125-138-7-9.5UL-P	125.00	138.00	8.00	132.00	9.50
WR125-140-7.5-9.5UL-P	125.00	140.20	7.60	134.60	9.50
WR135-147-7-12UL-P	135.00	147.20	7.10	141.00	12.00
WR136-149-7-9.5UL-P	136.00	149.00	8.00	143.00	9.50
WR140-153-7-9.5UL-P	140.00	153.00	8.00	147.00	9.50
WR140-155-7.5-9.5UL-P	140.00	155.00	8.50	144.00	9.50
WR145-155-5-7UL-P	145.00	155.00	5.30	148.00	7.00
WR145-158-7-10UL-P	145.00	158.00	8.00	152.00	10.00
WR160-174-7-9.5UL-P	160.00	174.00	8.00	167.00	9.50
WR160-175-7.5-9.5UL-P	160.00	175.00	8.50	164.00	9.50
WR185-197-7-12UL-R	185.00	197.20	7.10	191.00	12.00

* Nominal Dimensions

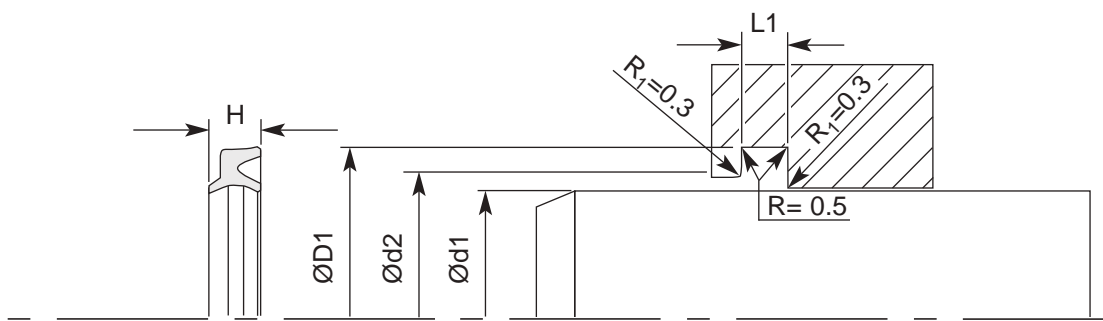
Fluid Power

The Hydraulic Seal Specialists



WR-UL

Imperial **W**iper **R**ing Style **UL**



Tolerances

ØD1	Ød1	Ød2	L1
+0.002 -0.000	Refer to seal section	+0.003 -0.000	+0.005 -0.000

Operating Conditions

	Polyurethane	Nitrile
Temp Range	-30 to +100°C	-30 to +100°C
Max Speed	2 m/s	2 m/s

WR-UL is a light to medium duty wiper manufactured in Polyurethane or Nitrile rubber. The WR-UL style is designed to remove contaminants from the rod during the negative stroke to prevent them getting into the cylinder and to collect fluid film on the positive stroke. This is an ideal wiper where zero leakage is required.

Fluid Power

The Hydraulic Seal Specialists

WR-UL

Imperial **W**iper **R**ing Style **UL**



Part Number	*Ød1	*ØD1	*L1	*Ød2	H
WR037068-019-025UL-P	0.375	0.677	0.203	0.495	0.250
WR050081-019-025UL-P	0.500	0.802	0.203	0.620	0.250
WR050081-019-025UL-R	0.500	0.802	0.203	0.620	0.250
WR062093-019-025UL-P	0.625	0.927	0.203	0.745	0.250
WR062093-019-025UL-R	0.625	0.927	0.203	0.745	0.250
WR062100-019-025UL-P	0.625	0.999	0.203	0.807	0.250
WR062100-019-025UL-R	0.625	0.999	0.203	0.807	0.250
WR075106-019-025UL-P	0.750	1.052	0.203	0.870	0.250
WR075106-019-025UL-R	0.750	1.052	0.203	0.870	0.250
WR087125-021-028UL-P	0.875	1.240	0.218	1.010	0.281
WR087125-021-028UL-R	0.875	1.240	0.218	1.010	0.281
WR093131-021-028UL-P	0.937	1.302	0.218	1.072	0.281
WR100137-021-028UL-P	1.000	1.365	0.218	1.135	0.281
WR100137-021-028UL-R	1.000	1.365	0.218	1.135	0.281
WR112150-021-028UL-P	1.125	1.490	0.218	1.260	0.281
WR125162-021-028UL-P	1.250	1.615	0.218	1.385	0.281
WR125162-021-028UL-R	1.250	1.615	0.218	1.385	0.281
WR137175-021-028UL-P	1.375	1.740	0.218	1.510	0.281
WR137175-021-028UL-R	1.375	1.740	0.218	1.510	0.281
WR150187-021-028UL-P	1.500	1.875	0.218	1.635	0.281
WR150187-021-028UL-R	1.500	1.875	0.218	1.635	0.281
WR162200-021-028UL-P	1.625	1.990	0.218	1.760	0.281
WR175212-021-028UL-P	1.750	2.115	0.218	1.885	0.281
WR175212-021-028UL-R	1.750	2.115	0.218	1.885	0.281
WR187225-021-028UL-P	1.875	2.240	0.218	2.010	0.281
WR200237-021-028UL-P	2.000	2.365	0.218	2.135	0.281
WR200237-021-028UL-R	2.000	2.365	0.218	2.135	0.281
WR212250-021-028UL-P	2.125	2.490	0.218	2.260	0.281
WR225275-027-035UL-P	2.250	2.740	0.281	2.385	0.350
WR237287-027-035UL-R	2.375	2.875	0.281	2.510	0.350
WR250300-027-035UL-P	2.500	2.990	0.281	2.635	0.350
WR250300-027-035UL-R	2.500	2.990	0.281	2.635	0.350
WR262312-027-035UL-P	2.625	3.115	0.281	2.760	0.350
WR275325-027-035UL-P	2.750	3.240	0.281	2.885	0.350
WR275325-027-035UL-R	2.750	3.240	0.281	2.885	0.350
WR300350-027-035UL-P	3.000	3.490	0.281	3.135	0.350
WR300350-027-035UL-R	3.000	3.490	0.281	3.135	0.350
WR325375-027-035UL-P	3.250	3.740	0.281	3.385	0.350
WR350400-027-035UL-P	3.500	3.990	0.281	3.635	0.350
WR350400-027-035UL-R	3.500	3.990	0.281	3.635	0.350

* Nominal Dimensions

Fluid **Power**

The Hydraulic Seal Specialists



WR-UL

Imperial **W**iper **R**ing Style **UL**

Part Number	*Ød1	*ØD1	*L1	*Ød2	H
WR375425-027-035UL-P	3.750	4.240	0.281	3.885	0.350
WR400450-027-035UL-P	4.000	4.490	0.281	4.135	0.350
WR400450-027-035UL-R	4.000	4.490	0.281	4.135	0.350
WR425475-027-035UL-P	4.250	4.740	0.281	4.385	0.350
WR443493-027-035UL-P	4.437	4.933	0.281	4.573	0.350
WR450500-027-035UL-P	4.500	4.990	0.281	4.635	0.350
WR450500-027-035UL-R	4.500	4.990	0.281	4.635	0.350
WR475525-027-035UL-P	4.750	5.240	0.281	4.885	0.350
WR500550-027-035UL-P	5.000	5.490	0.281	5.135	0.350
WR500550-027-035UL-R	5.000	5.490	0.281	5.135	0.350
WR550600-027-035UL-P	5.500	5.990	0.281	5.635	0.350
WR550600-027-035UL-R	5.500	5.990	0.281	5.635	0.350
WR600650-027-035UL-P	6.000	6.490	0.281	6.135	0.350
WR600650-027-035UL-R	6.000	6.490	0.281	6.135	0.350
WR700750-027-035UL-P	7.000	7.490	0.281	7.135	0.350
WR800850-027-035UL-P	8.000	8.490	0.281	8.135	0.350

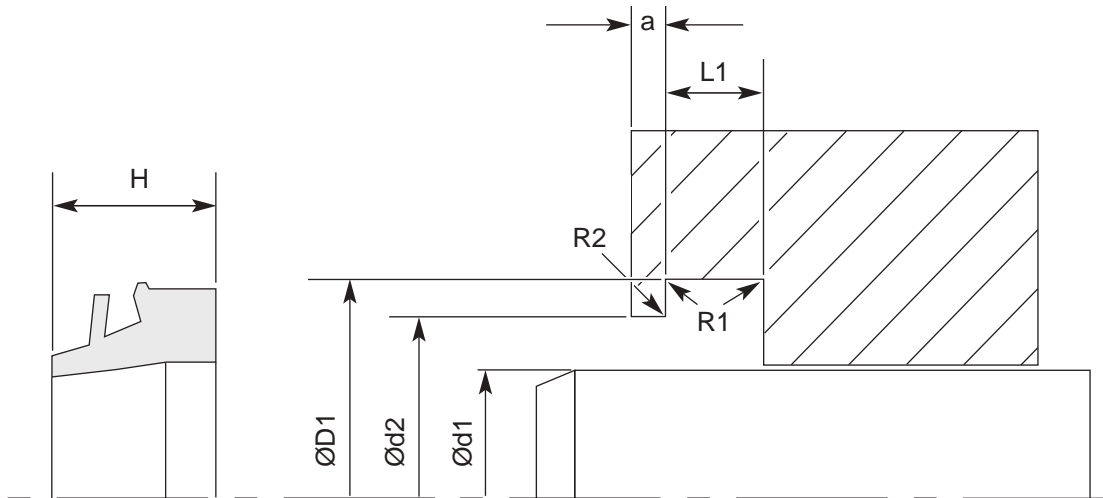
573 * Nominal Dimensions

Fluid Power

The Hydraulic Seal Specialists

WR-A6

Metric **W**iper **R**ing Style **A6**



Tolerances

	Ød1	ØD1	Ød2	L1	a
	Refer to seal section	H11	H11	+0.20 -0.00	+0.10 -0.00

Radii

Rod Diameter Ød1	< 50	< 90	< 200	> 200
Max R1	0.4	0.4	0.4	0.8
Max R2	0.2	0.4	0.6	0.8

Operating Conditions

	Polyurethane	Nitrile
Temp Range	-35 to +100°C	-35 to +100°C
Max Speed	4 m/s	2 m/s

WR-A6 is designed to prevent contaminants going into the cylinder. The profile has been specially developed for harsh environments, in particular the mining industry. The special feature is the flap on the wiping lip which covers the gland housing, preventing the water/slurry trap so common with conventional wipers and thus ingress of contamination around the outside of the wiper.

A number of sizes do not have an interference fit between the outside diameter of the wiper and the wiper housing bore D1. They float on the retaining lip.

The WR-A6 is manufactured in either Polyurethane or Nitrile rubber.

Fluid **Power**

The Hydraulic Seal Specialists



WR-A6

Metric **W**iper **R**ing Style **A6**

Part Number	*Ød1	*ØD1	*L1	*Ød2	H	a
WR38-46-5-8A6-P	38.00	46.00	5.30	43.00	8.00	1.50
WR45-55-4-10A6-R	45.00	57.00	4.10	51.00	10.00	2.50
WR50-58-5-8A6-P	50.00	58.00	5.00	55.50	8.00	1.50
WR50-60-4-10A6-R	50.00	62.00	4.10	56.00	10.00	2.50
WR55-65-4-10A6-R	55.00	67.00	4.10	61.00	10.00	2.50
WR60-70-4-10A6-R	60.00	72.00	4.10	66.00	10.00	2.50
WR70-82-8-12A6-P	70.00	82.60	8.00	78.40	12.00	2.00
WR70-83-5-12A6-R	70.00	85.00	5.10	78.00	12.00	3.00
WR80-90-6.3-10A6-P	80.00	90.00	6.30	87.00	10.00	1.50
WR85-97-8-12A6-P	85.00	97.60	8.00	93.40	12.00	2.00
WR90-102-7.1-12.4A6-P	90.00	102.20	9.10	96.00	12.40	2.80
WR90-103-5-12A6-R	90.00	105.00	5.10	98.00	12.00	3.00
WR100-112-7-12.4A6-P	100.00	112.20	7.10	106.00	12.40	2.80
WR100-113-5-12A6-R	100.00	115.00	5.10	108.00	12.00	3.00
WR110-123-5-12A6-R	110.00	125.00	5.10	118.00	12.00	3.00
WR110-123-5-12A6-P	110.00	125.00	5.10	118.00	12.00	3.00
WR110-125-9.5-14A6-P	110.00	125.00	9.50	120.00	14.00	2.00
WR120-136-6-14A6-R	120.00	139.00	6.10	129.00	14.00	4.00
WR125-140-9.5-14A6-P	125.00	140.00	9.50	133.00	14.00	2.00
WR140-156-6-14A6-R	140.00	159.00	6.10	149.00	14.00	4.00
WR160-176-6-14A6-R	160.00	179.00	6.10	169.00	14.00	4.00
WR190-206-6-14A6-P	190.00	209.00	6.10	199.00	14.00	4.00
WR200-220-8-20A6-P	200.00	223.00	8.30	211.00	20.00	4.80
WR215-230-9.5-14A6-P	215.00	230.00	9.50	225.00	14.00	2.00

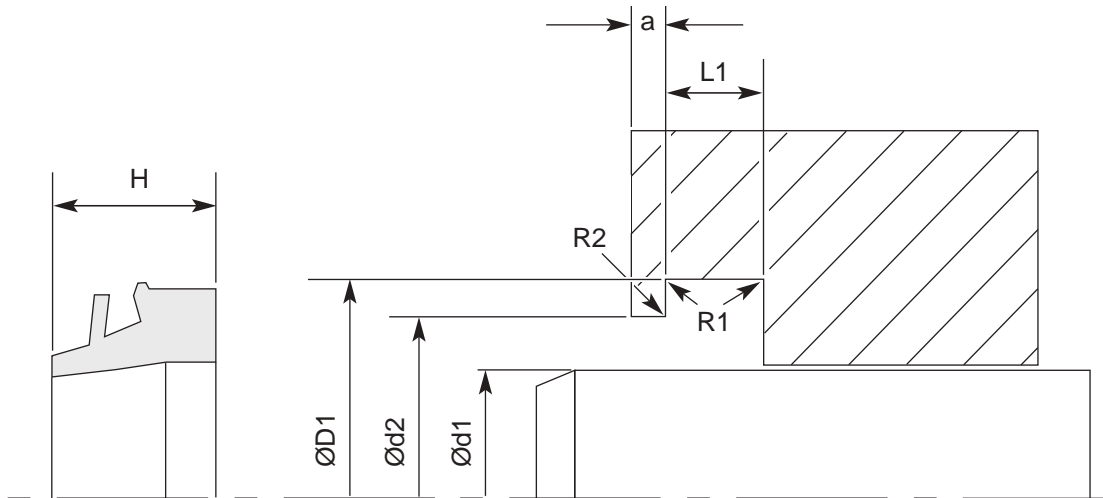
575 * Nominal Dimensions

Fluid Power

The Hydraulic Seal Specialists

WR-A6

Imperial **W**iper **R**ing Style **A6**



Tolerances

	Ød1	ØD1	Ød2	L1	a
	Refer to seal section	H11	H11	+0.008 -0.00	+0.004 -0.00

Radii

Rod Diameter Ød1	< 2.000	< 3.500	< 7.875
Max R1	0.016	0.016	0.016
Max R2	0.008	0.016	0.024

Operating Conditions

Temp Range	-35 to +100°C
Max Speed	4 m/s

WR-A6 is designed to prevent contaminants going into the cylinder. The profile has been specially developed for harsh environments, in particular the mining industry. The special feature is the flap on the wiping lip which covers the gland housing, preventing the water/slurry trap so common with conventional wipers and thus ingress of contamination around the outside of the wiper.

The imperial range of WR-A6 is manufactured Polyurethane. More sizes are available upon request.

Fluid Power

The Hydraulic Seal Specialists



WR-A6

Imperial **W**iper **R**ing Style **A6**

Part Number	*Ød1	*ØD1	*L1	*Ød2	H	a
WR175212-022-036A6-P	1.750	2.125	0.220	1.995	0.362	0.079
WR300337-022-036A6-P	3.000	3.375	0.220	3.245	0.362	0.079
WR437487-031-047A6-P	4.375	4.875	0.312	4.715	0.472	0.080
WR525575-031-047A6-P	5.250	5.750	0.312	5.590	0.472	0.080

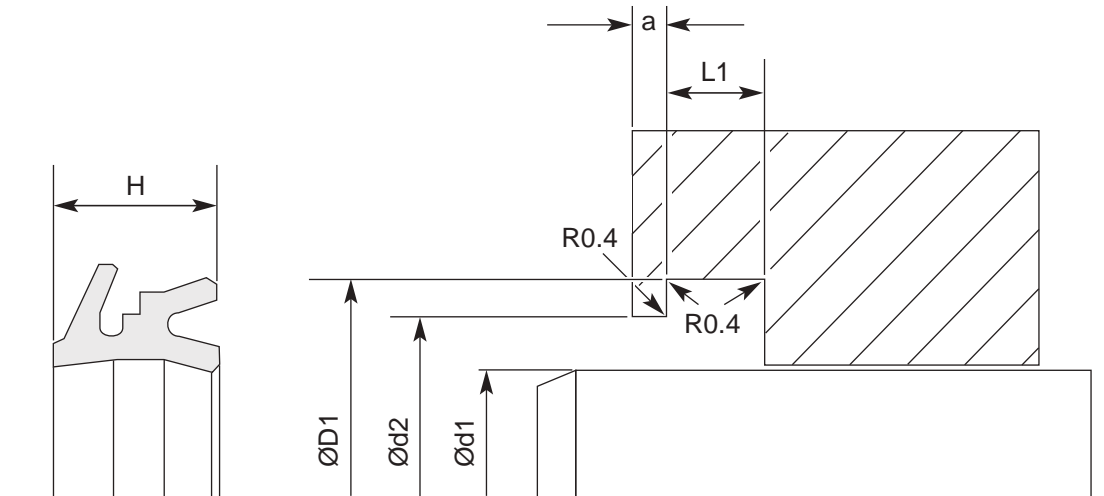
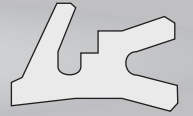
577 * Nominal Dimensions

Fluid Power

The Hydraulic Seal Specialists

WR-DA-L-P

Metric **W**iper **R**ing Style **DA** with Double **L**ip in **P**olyurethane



Tolerances

Ød1	ØD1	Ød2	L1	a
f9	H11	H11	+0.20 -0.00	+0.20 -0.00

Operating Conditions

Temp Range	-35 to +100°C
Max Speed	4 m/s

WR-DA-L-P is designed to prevent dirt and moisture from entering the cylinder and to collect traces of fluid passing the rod seal. The special feature is the flap on the wiping lip which covers the gland housing, preventing the water/slurry trap so common with conventional wipers and thus ingress of contamination around the outside of the wiper. The WR-DA-L-P is manufactured in Polyurethane.

Fluid **Power**

The Hydraulic Seal Specialists



WR-DA-L-P

Metric **W**iper **R**ing Style **DA** with Double **L**ip in **P**olyurethane

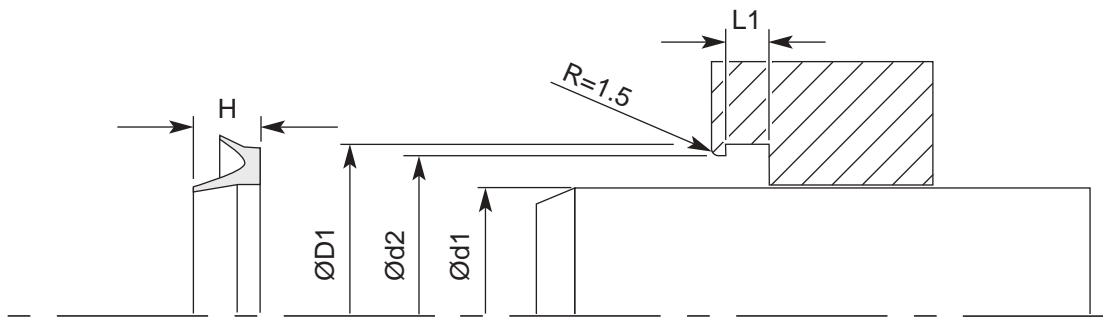
Part Number	*Ød1	*ØD1	*L1	*Ød2	H	a
WR25-31-4-7DA-L-P	25.00	31.00	4.00	28.80	7.00	1.00
WR25-33-4-8.7DA-L-P	25.00	33.00	4.00	31.00	8.70	1.00
WR28-36-4-8.7DA-L-P	28.00	36.00	4.00	34.00	8.70	1.00
WR32-40-4-8.7DA-L-P	32.00	40.00	4.00	38.00	8.70	1.00
WR40-48-5-9DA-L-P	40.00	48.00	5.00	45.00	9.00	1.20
WR50-58-4-8.7DA-L-P	50.00	58.00	4.00	56.00	8.70	1.00
WR50-58-5-9DA-L-P	50.00	58.00	5.00	55.00	9.00	1.20
WR52-60-4-8.7DA-L-P	52.00	60.00	4.00	58.00	8.70	1.00
WR56-64-4-8.7DA-L-P	56.00	64.00	4.00	62.00	8.70	1.00
WR60-68-4-8.7DA-L-P	60.00	68.00	4.00	66.00	8.70	1.00
WR60-70-6-11.5DA-L-P	60.00	70.00	6.00	67.00	11.50	1.60
WR63-71-4-8.7DA-L-P	63.00	71.00	4.00	69.00	8.70	1.00
WR65-73-4-8.7DA-L-P	65.00	73.00	4.00	71.00	8.70	1.00
WR70-78-4-8.7DA-L-P	70.00	78.00	4.00	76.00	8.70	1.00
WR70-80-6-11.5DA-L-P	70.00	80.00	6.00	77.00	11.50	1.60
WR75-85-6-11.5DA-L-P	75.00	85.00	6.00	82.00	11.50	1.60
WR80-88-4-8.7DA-L-P	80.00	88.00	4.00	86.00	8.70	1.00
WR90-98-4-8.7DA-L-P	90.00	98.00	4.00	96.00	8.70	1.00
WR100-110-6.3-11.7DA-L-P	100.00	110.00	6.30	107.00	11.70	1.80

579 * Nominal Dimensions

Fluid Power

The Hydraulic Seal Specialists

WR-Y Metric Wiper Ring Style Y



Tolerances

ØD1	Ød1	Ød2	L1
+0.10 -0.00	Refer to seal section	+0.10 -0.00	+0.25 -0.00

Operating Conditions

Temp Range	-40 to +100°C
Max Speed	5 m/s

WR-Y is a heavy duty wiper manufactured in Nylon. The WR-Y style is designed to remove even the most stubborn contaminants from the rod during the negative stroke.

Fluid Power

The Hydraulic Seal Specialists



WR-Y

Metric Wiper Ring Style Y

Part Number	*Ød1	*ØD1	*L1	*Ød2	H
WR12-22-4.5-6.5Y-N	12.00	22.00	4.50	20.50	6.50
WR14-24-4.5-6.5Y-N	14.00	24.00	4.50	22.50	6.50
WR15-25-4.5-6.5Y-N	15.00	25.00	4.50	23.50	6.50
WR16-26-4.5-6.5Y-N	16.00	26.00	4.50	24.50	6.50
WR18-28-4.5-6.5Y-N	18.00	28.00	4.50	26.50	6.50
WR20-33-6-8.5Y-N	20.00	33.00	6.00	31.50	8.50
WR22-35-6-8.5Y-N	22.00	35.00	6.00	33.50	8.50
WR25-38-6-8.5Y-N	25.00	38.00	6.00	36.50	8.50
WR28-41-6-8.5Y-N	28.00	41.00	6.00	39.50	8.50
WR30-43-6-8.5Y-N	30.00	43.00	6.00	41.50	8.50
WR32-45-6-8.5Y-N	32.00	45.00	6.00	43.50	8.50
WR36-49-6-8.5Y-N	36.00	49.00	6.00	47.50	8.50
WR40-53-6-8.5Y-N	40.00	53.00	6.00	51.50	8.50
WR45-58-6-8.5Y-N	45.00	58.00	6.00	56.50	8.50
WR50-63-6-8.5Y-N	50.00	63.00	6.00	61.50	8.50
WR55-68-6-8.5Y-N	55.00	68.00	6.00	66.50	8.50
WR56-69-6-8.5Y-N	56.00	69.00	6.00	67.50	8.50
WR60-73-6-8.5Y-N	60.00	73.00	6.00	71.50	8.50
WR63-76-6-8.5Y-N	63.00	76.00	6.00	74.50	8.50
WR65-78-6-8.5Y-N	65.00	78.00	6.00	76.50	8.50
WR70-83-6-8.5Y-N	70.00	83.00	6.00	81.50	8.50
WR75-88-6-8.5Y-N	75.00	88.00	6.00	86.50	8.50
WR80-93-6-8.5Y-N	80.00	93.00	6.00	91.50	8.50
WR85-98-6-8.5Y-N	85.00	98.00	6.00	96.50	8.50
WR90-103-6-8.5Y-N	90.00	103.00	6.00	101.50	8.50
WR95-108-6-8.5Y-N	95.00	108.00	6.00	106.50	8.50
WR100-113-6-8.5Y-N	100.00	113.00	6.00	111.50	8.50
WR105-118-6-8.5Y-N	105.00	118.00	6.00	116.50	8.50
WR110-123-6-8.5Y-N	110.00	123.00	6.00	121.50	8.50
WR115-128-6-8.5Y-N	115.00	128.00	6.00	126.50	8.50
WR120-133-6-8.5Y-N	120.00	133.00	6.00	131.50	8.50
WR125-138-6-8.5Y-N	125.00	138.00	6.00	136.50	8.50
WR130-146-6-8.5Y-N	130.00	146.00	6.00	144.50	8.50
WR140-156-6-8.5Y-N	140.00	156.00	6.00	154.50	8.50
WR145-161-6-8.5Y-N	145.00	161.00	6.00	159.50	8.50
WR150-166-6-8.5Y-N	150.00	166.00	6.00	164.50	8.50
WR160-176-6-8.5Y-N	160.00	176.00	6.00	174.50	8.50
WR170-186-6-8.5Y-N	170.00	186.00	6.00	184.50	8.50
WR180-199-8.5-12Y-N	180.00	199.00	8.50	197.50	12.00
WR185-204-8.5-12Y-N	185.00	204.00	8.50	202.50	12.00

581 * Nominal Dimensions

Fluid Power

The Hydraulic Seal Specialists

WR-Y Metric Wiper Ring Style Y



Part Number	*Ød1	*ØD1	*L1	*Ød2	H
WR190-209-8.5-12Y-N	190.00	209.00	8.50	207.50	12.00
WR195-214-8.5-12Y-N	195.00	214.00	8.50	212.50	12.00
WR200-219-8.5-12Y-N	200.00	219.00	8.50	217.50	12.00
WR205-224-8.5-12Y-N	205.00	224.00	8.50	222.50	12.00
WR210-229-8.5-12Y-N	210.00	229.00	8.50	227.50	12.00
WR215-234-8.5-12Y-N	215.00	234.00	8.50	232.50	12.00
WR220-239-8.5-12Y-N	220.00	239.00	8.50	237.50	12.00
WR225-244-8.5-12Y-N	225.00	244.00	8.50	242.50	12.00
WR230-249-8.5-12Y-N	230.00	249.00	8.50	247.50	12.00
WR250-269-8.5-12Y-N	250.00	269.00	8.50	267.50	12.00
WR265-284-8.5-12Y-N	265.00	284.00	8.50	282.50	12.00
WR270-289-8.5-12Y-N	270.00	289.00	8.50	287.50	12.00
WR280-299-8.5-12Y-N	280.00	299.00	8.50	297.50	12.00
WR285-304-8.5-12Y-N	285.00	304.00	8.50	302.50	12.00
WR300-319-8.5-12Y-N	300.00	319.00	8.50	317.50	12.00
WR350-369-8.5-12Y-N	350.00	369.00	8.50	367.50	12.00

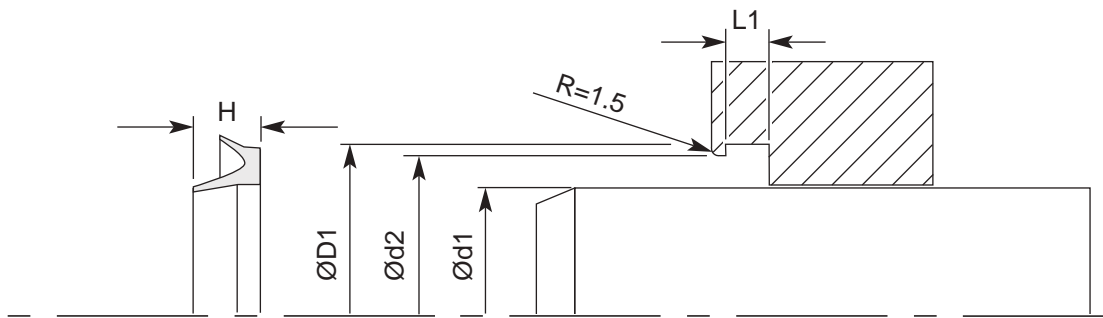
* Nominal Dimensions

Fluid Power

The Hydraulic Seal Specialists



WR-Y Imperial Wiper Ring Style Y



Tolerances

ØD1	Ød1	Ød2	L1
+0.004 -0.000	Refer to seal section	+0.004 -0.000	+0.010 -0.000

Operating Conditions

Temp Range	-40 to +100°C
Max Speed	5 m/s

WR-Y is a heavy duty wiper manufactured in Nylon. The WR-Y style is designed to remove even the most stubborn contaminants from the rod during the negative stroke.

Fluid Power

The Hydraulic Seal Specialists

WR-Y Imperial Wiper Ring Style Y



Part Number	*Ød1	*ØD1	*L1	*Ød2	H
WR025062-017-025Y-N	0.250	0.625	0.172	0.562	0.250
WR037075-017-025Y-N	0.375	0.750	0.172	0.687	0.250
WR050087-017-025Y-N	0.500	0.875	0.172	0.812	0.250
WR062100-017-025Y-N	0.625	1.000	0.172	0.937	0.250
WR075125-023-034Y-N	0.750	1.250	0.234	1.187	0.343
WR087137-023-034Y-N	0.875	1.375	0.234	1.312	0.343
WR100150-023-034Y-N	1.000	1.500	0.234	1.437	0.343
WR112162-023-034Y-N	1.125	1.625	0.234	1.562	0.343
WR118168-023-034Y-N	1.187	1.687	0.234	1.625	0.343
WR125175-023-034Y-N	1.250	1.750	0.234	1.687	0.343
WR137187-023-034Y-N	1.375	1.875	0.234	1.687	0.343
WR150200-023-034Y-N	1.500	2.000	0.234	1.937	0.343
WR162212-023-034Y-N	1.625	2.125	0.234	2.062	0.343
WR175225-023-034Y-N	1.750	2.250	0.234	2.187	0.343
WR200250-023-034Y-N	2.000	2.500	0.234	2.437	0.343
WR212262-023-034Y-N	2.125	2.625	0.234	2.562	0.343
WR225275-023-034Y-N	2.250	2.750	0.234	2.687	0.343
WR237287-023-034Y-N	2.375	2.875	0.234	2.812	0.343
WR250300-023-034Y-N	2.500	3.000	0.234	2.937	0.343
WR262312-023-034Y-N	2.625	3.125	0.234	3.062	0.343
WR275325-023-034Y-N	2.750	3.250	0.234	3.187	0.343
WR300350-023-034Y-N	3.000	3.500	0.234	3.437	0.343
WR325375-023-034Y-N	3.250	3.750	0.234	3.687	0.343
WR337387-023-034Y-N	3.375	3.875	0.234	3.812	0.343
WR350400-023-034Y-N	3.500	4.000	0.234	3.937	0.343
WR375425-023-034Y-N	3.750	4.250	0.234	4.187	0.343
WR400450-023-034Y-N	4.000	4.500	0.234	4.437	0.343
WR437487-023-034Y-N	4.375	4.875	0.234	4.687	0.343
WR450500-023-034Y-N	4.500	5.000	0.234	4.937	0.343
WR475525-023-034Y-N	4.750	5.250	0.234	5.187	0.343
WR487537-023-034Y-N	4.875	5.375	0.234	5.312	0.343
WR500550-023-034Y-N	5.000	5.500	0.234	5.437	0.343
WR550612-023-034Y-N	5.500	6.125	0.234	6.062	0.343
WR600662-023-034Y-N	6.000	6.625	0.234	6.562	0.343
WR650712-023-034Y-N	6.500	7.125	0.234	7.062	0.343
WR700762-023-034Y-N	7.000	7.625	0.234	7.562	0.343
WR800875-034-047Y-N	8.000	8.750	0.343	8.687	0.472

* Nominal Dimensions

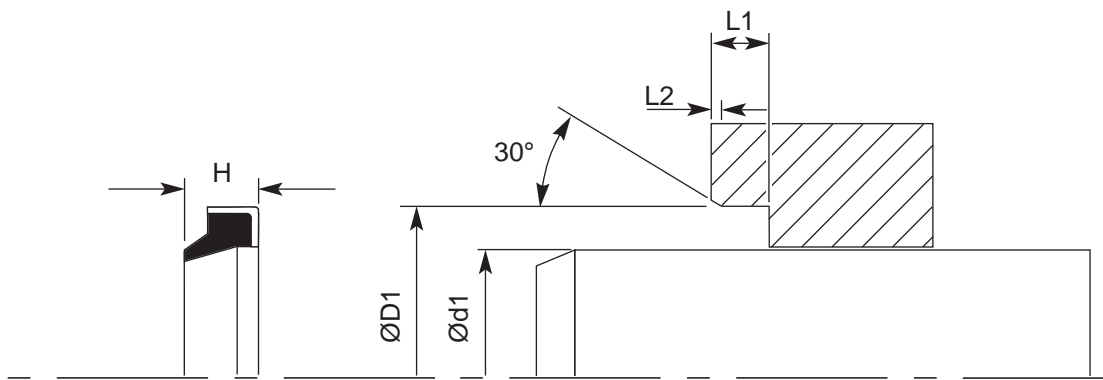
Fluid Power

The Hydraulic Seal Specialists



WR-MC

Metric **W**iper **R**ing **M**etal **C**ased



Lead-in Chamfer L2										
H	4.5	5	6	7	8	9	10	12	14	16
L2	0.6	0.6	0.8	0.8	1	1	1.4	1.8	2	2.4

Tolerances		
ØD1	Ød1	L1
H8	Refer to seal section	+0.20 -0.00

Operating Conditions	
Temp Range	-30 to +100°C
Max Speed	1 m/s

WR-MC is a medium to heavy duty metal cased wiper manufactured with either a Nitrile rubber or Polyurethane wiping lip. The WR-MC style is designed to remove contaminants from the rod during the negative stroke. There are several designs available, some of which are list on page 586. Check with the FPE sales team if the style, size or material you require is not listed.

Fluid Power

The Hydraulic Seal Specialists

WR-MC

Metric **W**iper **R**ing **M**etal **C**ased



WR-MC-RC



Rubber covered metal cased wiper. Excellent for applications where external elements may attack the steel insert. i.e. salt water.

WR-MC-U



Heavy duty metal cased wiper. Commonly manufactured in Polyurethane but also available with a Nitrile rubber lip. Often found on plant machinery.

WR-MC-UL



Heavy duty, double-lipped metal-cased wiper. Commonly manufactured in Polyurethane but also available with a Nitrile rubber lip. Usually found on plant machinery.

* Nominal Dimensions

Fluid Power

The Hydraulic Seal Specialists



WR-MC

Metric **W**iper **R**ing **M**etal **C**ased

Part Number	*Ød1	*ØD1	*L1	H
WR6-13-3-5MC-R	6.00	13.00	3.00	5.00
WR8-14-3.5-5MC-R	8.00	14.00	3.50	5.00
WR8-22-3-5MC-R	8.00	22.00	3.00	5.00
WR10-16-3-5MC-R	10.00	16.00	3.00	4.50
WR10-20-5-7MC-RC	10.00	20.00	5.00	7.00
WR10-20-5-8MC-R	10.00	20.00	5.00	8.00
WR12-18-3.5-5MC-R	12.00	18.00	3.50	5.00
WR12-20-4-6MC-R	12.00	20.00	4.00	6.00
WR12-22-5-8MC-R	12.00	22.00	5.00	8.00
WR14-20-3.5-5MC-R	14.00	20.00	3.50	5.00
WR14-20-4-6MC-R	14.00	20.00	4.00	6.00
WR14-22-3-4.5MC-R	14.00	22.00	3.00	4.50
WR14-22-4.5-6MC-P	14.00	22.00	4.50	6.00
WR14-25-5-8MC-R	14.00	25.00	5.00	8.00
WR15-21-3.5-5MC-RC	15.00	21.00	3.50	5.00
WR15-25-5-8MC-R	15.00	25.00	5.00	8.00
WR15-25-7-10MC-R	15.00	25.00	7.00	10.00
WR16-22-3-4MC-R	16.00	22.00	3.00	4.00
WR16-22-3-5MC-R	16.00	22.00	3.00	5.00
WR16-22-3-5MC-P	16.00	22.00	3.00	5.00
WR16-22-3-5MC-RC	16.00	22.00	3.00	5.00
WR16-24-3.5-5MC-RC	16.00	24.00	3.50	5.00
WR16-26-5-8MC-R	16.00	26.00	5.00	8.00
WR18-26-3-4MC-R	18.00	26.00	3.00	4.00
WR18-26-5-7MC-R	18.00	26.00	5.00	7.00
WR18-28-5-6MC-R	18.00	28.00	5.00	6.00
WR18-28-7-10MC-R	18.00	28.00	7.00	10.00
WR18-28-7-10MC-RC	18.00	28.00	7.00	10.00
WR20-26-5-8MC-R	20.00	26.00	5.00	8.00
WR20-28-3.5-5MC-R	20.00	28.00	3.50	5.00
WR20-28-5-8MC-R	20.00	28.00	5.00	8.00
WR20-30-4-6MC-R	20.00	30.00	4.00	6.00
WR20-30-5-7MC-RC	20.00	30.00	5.00	7.00
WR20-30-5-8MC-R	20.00	30.00	5.00	8.00
WR20-30-7-10MC-R	20.00	30.00	7.00	10.00
WR20-30-7-10MC-P	20.00	30.00	7.00	10.00
WR20-30-7-10MC-RC	20.00	30.00	7.00	10.00
WR20-32-6-9MC-UL-R	20.00	32.00	6.00	9.00
WR20-35-7-10MC-R	20.00	35.00	7.00	10.00
WR22-28-5-9MC-R	22.00	28.00	5.00	9.00

587 * Nominal Dimensions

Fluid Power

The Hydraulic Seal Specialists

WR-MC

Metric **W**iper **R**ing **M**etal **C**ased



Part Number	*Ød1	*ØD1	*L1	H
WR22-30-5-8MC-R	22.00	30.00	5.00	8.00
WR22-32-5-8MC-R	22.00	32.00	5.00	8.00
WR22-32-7-10MC-R	22.00	32.00	7.00	10.00
WR22-34-6-9MC-UL-R	22.00	34.00	6.00	9.00
WR22-35-5-8MC-R	22.00	35.00	5.00	8.00
WR24-35-5-8MC-R	24.00	35.00	5.00	8.00
WR25-32-7MC-U-P	25.00	32.00	7.00	-
WR25-33-4-7MC-R	25.00	33.00	4.00	7.00
WR25-35-5-7MC-RC	25.00	35.00	5.00	7.00
WR25-35-5-8MC-R	25.00	35.00	5.00	8.00
WR25-35-5-8MC-P	25.00	35.00	5.00	8.00
WR25-35-7-10MC-R	25.00	35.00	7.00	10.00
WR25-35-7-10MC-P	25.00	35.00	7.00	10.00
WR25-37-6-9MC-P	25.00	37.00	6.00	9.00
WR25-37-6-9MC-UL-R	25.00	37.00	6.00	9.00
WR25-37-6-9MC-UL-P	25.00	37.00	6.00	9.00
WR25-38-7.5MC-U-P	25.00	38.00	7.50	-
WR28-38-5-8MC-R	28.00	38.00	5.00	8.00
WR28-38-7-10MC-R	28.00	38.00	7.00	10.00
WR28-38-7-10MC-P	28.00	38.00	7.00	10.00
WR28-40-7-10MC-R	28.00	40.00	7.00	10.00
WR30-40-4MC-U-P	30.00	40.00	4.00	-
WR30-40-5-7MC-R	30.00	40.00	5.00	7.00
WR30-40-5-7MC-RC	30.00	40.00	5.00	7.00
WR30-40-5-8MC-R	30.00	40.00	5.00	8.00
WR30-40-5-8MC-P	30.00	40.00	5.00	8.00
WR30-40-7-10MC-R	30.00	40.00	7.00	10.00
WR30-40-7-10MC-P	30.00	40.00	7.00	10.00
WR30-42-6-9MC-UL-P	30.00	42.00	6.00	9.00
WR30-43-7.5MC-U-P	30.00	43.00	7.50	-
WR30-45-5-7MC-R	30.00	45.00	5.00	7.00
WR30-47-7-10MC-UL-R	30.00	47.00	7.00	10.00
WR32-40-4-7MC-R	32.00	40.00	4.00	7.00
WR32-42-5-7MC-R	32.00	42.00	5.00	7.00
WR32-42-7-10MC-R	32.00	42.00	7.00	10.00
WR32-44-7-10MC-P	32.00	44.00	7.00	10.00
WR32-45-4-8MC-R	32.00	45.00	4.00	8.00
WR32-45-7-10MC-R	32.00	45.00	7.00	10.00
WR32-52-8-11MC-P	32.00	52.00	8.00	11.00
WR33-43-7-10MC-R	33.00	43.00	7.00	10.00

* Nominal Dimensions

Fluid **Power**

The Hydraulic Seal Specialists



WR-MC

Metric **W**iper **R**ing **M**etal **C**ased

Part Number	*Ød1	*ØD1	*L1	H
WR34-46-7-10MC-UL-P	34.00	46.00	7.00	10.00
WR35-45-4MC-U-P	35.00	45.00	4.00	-
WR35-45-5-8MC-R	35.00	45.00	5.00	8.00
WR35-45-7-10MC-R	35.00	45.00	7.00	10.00
WR35-45-7-10MC-P	35.00	45.00	7.00	10.00
WR35-47-7MC-U-P	35.00	47.00	7.00	-
WR35-47-7-10MC-R	35.00	47.00	7.00	10.00
WR35-47-7-10MC-P	35.00	47.00	7.00	10.00
WR35-47-7-10MC-UL-R	35.00	47.00	7.00	10.00
WR35-47-7-10MC-UL-P	35.00	47.00	7.00	10.00
WR35-50-7.5MC-U-P	35.00	50.00	7.50	-
WR35-52-7-10MC-R	35.00	52.00	7.00	10.00
WR36-45-7-10MC-R	36.00	45.00	7.00	10.00
WR36-45-7-10MC-P	36.00	45.00	7.00	10.00
WR36-46-5-7MC-R	36.00	46.00	5.00	7.00
WR36-46-7-10MC-R	36.00	46.00	7.00	10.00
WR36-47-7-10MC-UL-P	36.00	47.00	7.00	10.00
WR37-47-5-7MC-R	37.00	47.00	5.00	7.00
WR37-50-7-10MC-R	37.00	50.00	7.00	10.00
WR38-48-7-10MC-R	38.00	48.00	7.00	10.00
WR38-50-7-10MC-P	38.00	50.00	7.00	10.00
WR38-50-7.5MC-U-P	38.00	50.00	7.50	-
WR40-50-3.18MC-U-P	40.00	50.00	3.18	-
WR40-50-4MC-U-P	40.00	50.00	4.00	-
WR40-50-5-8MC-R	40.00	50.00	5.00	8.00
WR40-50-7-10MC-R	40.00	50.00	7.00	10.00
WR40-50-7-10MC-P	40.00	50.00	7.00	10.00
WR40-50-7-10MC-UL-P	40.00	50.00	7.00	10.00
WR40-52-6MC-U-P	40.00	52.00	6.00	-
WR40-52-7MC-U-P	40.00	52.00	7.00	-
WR40-52-7-10MC-R	40.00	52.00	7.00	10.00
WR40-52-7-10MC-UL-R	40.00	52.00	7.00	10.00
WR40-52-7-10MC-UL-P	40.00	52.00	7.00	10.00
WR40-55-9MC-U-P	40.00	55.00	9.00	-
WR40-55-9-12MC-R	40.00	55.00	9.00	12.00
WR42-52-7-10MC-R	42.00	52.00	7.00	10.00
WR45-55-3.18MC-U-P	45.00	55.00	3.18	-
WR45-55-4MC-U-P	45.00	55.00	4.00	-
WR45-55-5-8MC-R	45.00	55.00	5.00	8.00
WR45-55-6MC-U-P	45.00	55.00	6.00	-

589 * Nominal Dimensions

Fluid Power

The Hydraulic Seal Specialists

WR-MC

Metric **W**iper **R**ing **M**etal **C**ased



Part Number	*Ød1	*ØD1	*L1	H
WR45-55-7-10MC-R	45.00	55.00	7.00	10.00
WR45-55-7-10MC-P	45.00	55.00	7.00	10.00
WR45-57-7MC-U-P	45.00	57.00	7.00	-
WR45-57-7-10MC-R	45.00	57.00	7.00	10.00
WR45-57-7-10MC-P	45.00	57.00	7.00	10.00
WR45-57-7-10MC-UL-R	45.00	57.00	7.00	10.00
WR45-57-7-10MC-UL-P	45.00	57.00	7.00	10.00
WR45-60-7-10MC-R	45.00	60.00	7.00	10.00
WR45-60-7.5MC-U-P	45.00	60.00	7.50	-
WR48-60-7-10MC-R	48.00	60.00	7.00	10.00
WR50-56-5-8MC-R	50.00	56.00	5.00	8.00
WR50-60-4MC-U-P	50.00	60.00	4.00	-
WR50-60-5MC-U-P	50.00	60.00	5.00	-
WR50-60-5-8MC-RC	50.00	60.00	5.00	8.00
WR50-60-7MC-U-P	50.00	60.00	7.00	-
WR50-60-7-10MC-R	50.00	60.00	7.00	10.00
WR50-62-7MC-U-P	50.00	62.00	7.00	-
WR50-62-7-10MC-P	50.00	62.00	7.00	10.00
WR50-62-7-10MC-UL-R	50.00	62.00	7.00	10.00
WR50-62-7-10MC-UL-P	50.00	62.00	7.00	10.00
WR50-64-8MC-U-P	50.00	64.00	8.00	-
WR50-65-5MC-U-P	50.00	65.00	5.00	-
WR50-65-5-8MC-R	50.00	65.00	5.00	8.00
WR50-65-7-10MC-R	50.00	65.00	7.00	10.00
WR50-65-7.5MC-U-P	50.00	65.00	7.50	-
WR50-65-9MC-U-P	50.00	65.00	9.00	-
WR52-62-7-10MC-R	52.00	62.00	7.00	10.00
WR55-63-7-10MC-R	55.00	63.00	7.00	10.00
WR55-65-3.18MC-U-P	55.00	65.00	3.18	-
WR55-65-5-7MC-P	55.00	65.00	5.00	7.00
WR55-65-7-10MC-R	55.00	65.00	7.00	10.00
WR55-65-7-10MC-P	55.00	65.00	7.00	10.00
WR55-68-4MC-U-P	55.00	68.00	4.00	-
WR55-69-8MC-U-P	55.00	69.00	8.00	-
WR55-69-8-11MC-P	55.00	69.00	8.00	11.00
WR55-69-8-11MC-UL-R	55.00	69.00	8.00	11.00
WR55-69-8-11MC-UL-P	55.00	69.00	8.00	11.00
WR55-70-7-10MC-R	55.00	70.00	7.00	10.00
WR55-70-7.5MC-U-P	55.00	70.00	7.50	-
WR56-65-7-10MC-R	56.00	65.00	7.00	10.00

* Nominal Dimensions

590

Fluid **Power**

The Hydraulic Seal Specialists



WR-MC

Metric **W**iper **R**ing **M**etal **C**ased

Part Number	*Ød1	*ØD1	*L1	H
WR56-66-5-8MC-P	56.00	66.00	5.00	8.00
WR56-66-7-10MC-R	56.00	66.00	7.00	10.00
WR56-66-7-10MC-P	56.00	66.00	7.00	10.00
WR56-70-7.5MC-U-P	56.00	70.00	7.50	-
WR56-71-9MC-U-P	56.00	71.00	9.00	-
WR60-70-5MC-U-P	60.00	70.00	5.00	-
WR60-70-5-8MC-R	60.00	70.00	5.00	8.00
WR60-70-5-8MC-RC	60.00	70.00	5.00	8.00
WR60-70-7-10MC-R	60.00	70.00	7.00	10.00
WR60-70-7-10MC-P	60.00	70.00	7.00	10.00
WR60-70-7-10MC-RC	60.00	70.00	7.00	10.00
WR60-74-8MC-U-P	60.00	74.00	8.00	-
WR60-74-8-11MC-P	60.00	74.00	8.00	11.00
WR60-74-8-11MC-UL-R	60.00	74.00	8.00	11.00
WR60-74-8-11MC-UL-P	60.00	74.00	8.00	11.00
WR60-75-4MC-U-P	60.00	75.00	4.00	-
WR60-75-5MC-U-P	60.00	75.00	5.00	-
WR60-75-6MC-U-P	60.00	75.00	6.00	-
WR60-75-7-10MC-R	60.00	75.00	7.00	10.00
WR60-75-7.5MC-U-P	60.00	75.00	7.50	-
WR60-75-8MC-U-P	60.00	75.00	8.00	-
WR62-72-7-10MC-R	62.00	72.00	7.00	10.00
WR63-73-7-10MC-R	63.00	73.00	7.00	10.00
WR63-73-7-10MC-P	63.00	73.00	7.00	10.00
WR63-75-7-10MC-R	63.00	75.00	7.00	10.00
WR63-75-7-10MC-P	63.00	75.00	7.00	10.00
WR63-77-8-11MC-P	63.00	77.00	8.00	11.00
WR63-78-7.5MC-U-P	63.00	78.00	7.50	-
WR63-78-9MC-U-P	63.00	78.00	9.00	-
WR65-75-5-8MC-P	65.00	75.00	5.00	8.00
WR65-75-7-10MC-R	65.00	75.00	7.00	10.00
WR65-75-7-10MC-P	65.00	75.00	7.00	10.00
WR65-79-8MC-U-P	65.00	79.00	8.00	-
WR65-79-8-11MC-UL-R	65.00	79.00	8.00	11.00
WR65-79-8-11MC-UL-P	65.00	79.00	8.00	11.00
WR65-80-5MC-U-P	65.00	80.00	5.00	-
WR65-80-7.5MC-U-P	65.00	80.00	7.50	-
WR65-80-8MC-U-R	65.00	80.00	8.00	-
WR70-80-5MC-U-P	70.00	80.00	5.00	-
WR70-80-5-7MC-R	70.00	80.00	5.00	7.00

591 * Nominal Dimensions

Fluid **Power**

The Hydraulic Seal Specialists

WR-MCMetric **W**iper **R**ing **M**etal **C**ased

Part Number	*Ød1	*ØD1	*L1	H
WR70-80-7MC-U-P	70.00	80.00	7.00	-
WR70-80-7-10MC-R	70.00	80.00	7.00	10.00
WR70-80-7-10MC-P	70.00	80.00	7.00	10.00
WR70-84-8MC-U-P	70.00	84.00	8.00	-
WR70-84-8-11MC-P	70.00	84.00	8.00	11.00
WR70-84-8-11MC-UL-P	70.00	84.00	8.00	11.00
WR70-85-7.5MC-U-P	70.00	85.00	7.50	-
WR70-85-8MC-U-P	70.00	85.00	8.00	-
WR71-86-5MC-U-P	71.00	86.00	5.00	-
WR75-83-7-10MC-R	75.00	83.00	7.00	10.00
WR75-85-7-10MC-R	75.00	85.00	7.00	10.00
WR75-85-7-10MC-RC	75.00	85.00	7.00	10.00
WR75-87-5-7MC-R	75.00	87.00	5.00	7.00
WR75-89-8MC-U-P	75.00	89.00	8.00	-
WR75-89-8-11MC-P	75.00	89.00	8.00	11.00
WR75-89-8-11MC-UL-R	75.00	89.00	8.00	11.00
WR75-89-8-11MC-UL-P	75.00	89.00	8.00	11.00
WR75-90-7.5MC-U-P	75.00	90.00	7.50	-
WR75-90-8MC-U-P	75.00	90.00	8.00	-
WR78-88-7-10MC-R	78.00	88.00	7.00	10.00
WR80-88-7-10MC-RC	80.00	88.00	7.00	10.00
WR80-90-7MC-U-P	80.00	90.00	7.00	-
WR80-90-7-10MC-R	80.00	90.00	7.00	10.00
WR80-90-7-10MC-P	80.00	90.00	7.00	10.00
WR80-90-7-10MC-RC	80.00	90.00	7.00	10.00
WR80-93-8MC-U-P	80.00	93.00	8.00	-
WR80-94-8MC-U-P	80.00	94.00	8.00	-
WR80-94-8-11MC-P	80.00	94.00	8.00	11.00
WR80-94-8-11MC-UL-P	80.00	94.00	8.00	11.00
WR80-95-5MC-U-P	80.00	95.00	5.00	-
WR80-95-6MC-U-P	80.00	95.00	6.00	-
WR80-95-7.5MC-U-P	80.00	95.00	7.50	-
WR80-95-8MC-U-P	80.00	95.00	8.00	-
WR80-100-10MC-U-P	80.00	100.00	10.00	-
WR80-100-12-15MC-R	80.00	100.00	12.00	15.00
WR82-92-7-10MC-R	82.00	92.00	7.00	10.00
WR85-95-7-10MC-R	85.00	95.00	7.00	10.00
WR85-95-7-10MC-P	85.00	95.00	7.00	10.00
WR85-95-7-10MC-RC	85.00	95.00	7.00	10.00
WR85-99-8MC-U-P	85.00	99.00	8.00	-

* Nominal Dimensions

592

Fluid **Power**

The Hydraulic Seal Specialists

**WR-MC**Metric **W**iper **R**ing **M**etal **C**ased

Part Number	*Ød1	*ØD1	*L1	H
WR85-99-8-11MC-P	85.00	99.00	8.00	11.00
WR85-99-8-11MC-UL-P	85.00	99.00	8.00	11.00
WR85-100-8MC-U-P	85.00	100.00	8.00	-
WR85-105-10MC-U-P	85.00	105.00	10.00	-
WR90-100-7MC-U-P	90.00	100.00	7.00	-
WR90-100-7-10MC-R	90.00	100.00	7.00	10.00
WR90-100-7-10MC-P	90.00	100.00	7.00	10.00
WR90-104-8MC-U-P	90.00	104.00	8.00	-
WR90-104-8-11MC-UL-P	90.00	104.00	8.00	11.00
WR90-105-5MC-U-P	90.00	105.00	5.00	-
WR90-105-6MC-U-P	90.00	105.00	6.00	-
WR90-105-8MC-U-P	90.00	105.00	8.00	-
WR90-105-9-12MC-UL-P	90.00	105.00	9.00	12.00
WR90-106-8MC-U-P	90.00	106.00	8.00	-
WR90-110-10MC-U-P	90.00	110.00	10.00	-
WR95-105-7-10MC-R	95.00	105.00	7.00	10.00
WR95-109-8MC-U-P	95.00	109.00	8.00	-
WR95-109-8-11MC-P	95.00	109.00	8.00	11.00
WR95-109-8-11MC-UL-P	95.00	109.00	8.00	11.00
WR95-110-8MC-U-P	95.00	110.00	8.00	-
WR95-114-8-11MC-UL-P	95.00	114.00	8.00	11.00
WR95-115-10MC-U-P	95.00	115.00	10.00	-
WR100-110-7MC-U-P	100.00	110.00	7.00	-
WR100-110-7-10MC-R	100.00	110.00	7.00	10.00
WR100-110-7-10MC-P	100.00	110.00	7.00	10.00
WR100-110-7-10MC-RC	100.00	110.00	7.00	10.00
WR100-114-8MC-U-P	100.00	114.00	8.00	-
WR100-114-8-11MC-P	100.00	114.00	8.00	11.00
WR100-114-8-11MC-UL-R	100.00	114.00	8.00	11.00
WR100-114-8-11MC-UL-P	100.00	114.00	8.00	11.00
WR100-115-4MC-U-P	100.00	115.00	4.00	-
WR100-115-7.5MC-U-P	100.00	115.00	7.50	-
WR100-118-8MC-U-P	100.00	118.00	8.00	-
WR100-120-10MC-U-P	100.00	120.00	10.00	-
WR105-115-7-10MC-R	105.00	115.00	7.00	10.00
WR105-115-7-10MC-P	105.00	115.00	7.00	10.00
WR105-120-7.5MC-U-P	105.00	120.00	7.50	-
WR105-121-9MC-U-P	105.00	121.00	9.00	-
WR105-121-9-12MC-UL-P	105.00	121.00	9.00	12.00
WR110-120-7MC-U-P	110.00	120.00	7.00	-

593 * Nominal Dimensions

Fluid **Power**

The Hydraulic Seal Specialists

WR-MCMetric **W**iper **R**ing **M**etal **C**ased

Part Number	*Ød1	*ØD1	*L1	H
WR110-120-7-10MC-R	110.00	120.00	7.00	10.00
WR110-120-7-10MC-P	110.00	120.00	7.00	10.00
WR110-125-8MC-U-P	110.00	125.00	8.00	-
WR110-125-9MC-U-P	110.00	125.00	9.00	-
WR110-126-9MC-U-P	110.00	126.00	9.00	-
WR110-126-9-12MC-P	110.00	126.00	9.00	12.00
WR110-126-9-12MC-UL-P	110.00	126.00	9.00	12.00
WR110-130-10MC-U-P	110.00	130.00	10.00	-
WR112-128-9-12MC-UL-R	112.00	128.00	9.00	12.00
WR115-125-7-10MC-R	115.00	125.00	7.00	10.00
WR115-131-9MC-U-P	115.00	131.00	9.00	-
WR115-131-9-12MC-UL-P	115.00	131.00	9.00	12.00
WR120-130-7MC-U-P	120.00	130.00	7.00	-
WR120-130-7-10MC-R	120.00	130.00	7.00	10.00
WR120-135-8MC-U-P	120.00	135.00	8.00	-
WR120-136-9-12MC-P	120.00	136.00	9.00	12.00
WR120-136-9-12MC-UL-P	120.00	136.00	9.00	12.00
WR120-140-8MC-U-P	120.00	140.00	8.00	-
WR120-140-10MC-U-P	120.00	140.00	10.00	-
WR125-140-7-10MC-R	125.00	140.00	7.00	10.00
WR125-140-9-12MC-R	125.00	140.00	9.00	12.00
WR125-141-9MC-U-P	125.00	141.00	9.00	-
WR125-141-9-12MC-UL-P	125.00	141.00	9.00	12.00
WR130-145-7.5MC-U-P	130.00	145.00	7.50	-
WR130-145-9-12MC-R	130.00	145.00	9.00	12.00
WR130-146-9MC-U-P	130.00	146.00	9.00	-
WR130-146-9-12MC-P	130.00	146.00	9.00	12.00
WR130-146-9-12MC-UL-P	130.00	146.00	9.00	12.00
WR135-150-9-12MC-R	135.00	150.00	9.00	12.00
WR135-155-10-14MC-UL-P	135.00	155.00	10.00	14.00
WR140-155-8MC-U-P	140.00	155.00	8.00	-
WR140-155-9-12MC-R	140.00	155.00	9.00	12.00
WR140-160-10MC-U-P	140.00	160.00	10.00	-
WR140-160-10-14MC-UL-P	140.00	160.00	10.00	14.00
WR145-160-9-12MC-R	145.00	160.00	9.00	12.00
WR145-165-10-14MC-UL-P	145.00	165.00	10.00	14.00
WR150-165-9-12MC-R	150.00	165.00	9.00	12.00
WR150-170-10MC-U-P	150.00	170.00	10.00	-
WR150-170-10-14MC-UL-P	150.00	170.00	10.00	14.00
WR155-175-10-14MC-UL-P	155.00	175.00	10.00	14.00

* Nominal Dimensions

Fluid **Power**

The Hydraulic Seal Specialists



WR-MC

Metric **W**iper **R**ing **M**etal **C**ased

Part Number	*Ød1	*ØD1	*L1	H
WR160-175-9-12MC-R	160.00	175.00	9.00	12.00
WR160-180-10MC-U-P	160.00	180.00	10.00	-
WR160-180-10-14MC-UL-P	160.00	180.00	10.00	14.00
WR165-185-10-14MC-UL-P	165.00	185.00	10.00	14.00
WR170-185-9-12MC-R	170.00	185.00	9.00	12.00
WR170-185-10-14MC-R	170.00	185.00	10.00	14.00
WR170-190-10-14MC-P	170.00	190.00	10.00	14.00
WR170-190-10-14MC-UL-P	170.00	190.00	10.00	14.00
WR175-195-10-14MC-UL-P	175.00	195.00	10.00	14.00
WR180-195-9-12MC-R	180.00	195.00	9.00	12.00
WR180-195-10-14MC-R	180.00	195.00	10.00	14.00
WR180-200-10-14MC-UL-P	180.00	200.00	10.00	14.00
WR180-205-12-17MC-P	180.00	205.00	12.00	17.00
WR200-215-9-12MC-R	200.00	215.00	9.00	12.00
WR200-216-8-12MC-UL-P	200.00	216.00	8.00	12.00
WR200-220-12-16MC-R	200.00	220.00	12.00	16.00
WR200-225-12-17MC-R	200.00	225.00	12.00	17.00
WR200-225-12-17MC-P	200.00	225.00	12.00	17.00
WR220-235-10-14MC-R	220.00	235.00	10.00	14.00
WR220-240-12-16MC-R	220.00	240.00	12.00	16.00
WR240-260-12-16MC-R	240.00	260.00	12.00	16.00
WR250-270-12-16MC-R	250.00	270.00	12.00	16.00
WR260-290-12-16MC-R	260.00	290.00	12.00	16.00
WR270-295-12-16MC-R	270.00	295.00	12.00	16.00
WR280-300-12-16MC-R	280.00	300.00	12.00	16.00

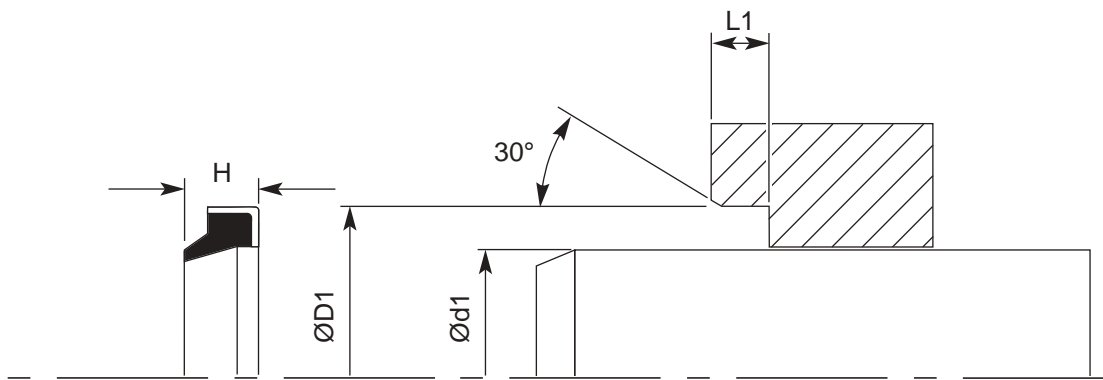
595 * Nominal Dimensions

Fluid Power

The Hydraulic Seal Specialists

WR-MC

Imperial **W**iper **R**ing **M**etal **C**ased



Tolerances

ØD1	Ød1	L1
±0.001	Refer to seal section	+0.015 -0.000

Operating Conditions

Temp Range	-40 to +100°C
Max Speed	1 m/s

WR-MC is a medium to heavy duty metal cased wiper manufactured with either a Nitrile rubber or Polyurethane wiping lip. The WR-MC style is designed to remove contaminants from the rod during the negative stroke. There are several designs available, some of which are list on page 597. Check with the FPE sales team if the style, size or material you require is not listed.

Fluid Power

The Hydraulic Seal Specialists



WR-MC

Imperial **W**iper **R**ing **M**etal **C**ased

WR-MC-U



Heavy duty metal cased wiper. Commonly manufactured in Polyurethane but also available with a Nitrile rubber lip. Often found on plant machinery.

WR-MC-UL



Heavy duty, double lipped metal-cased wiper. Usually manufactured in Polyurethane but also available with a Nitrile rubber lip. Generally found on plant machinery.

Fluid Power

The Hydraulic Seal Specialists

WR-MC

Imperial **W**iper **R**ing **M**etal **C**ased



Part Number	*Ød1	*ØD1	*L1	H
WR050068-009MC-U-R	0.500	0.687	0.094	-
WR050075-012MC-U-R	0.500	0.750	0.125	-
WR062087-012MC-U-R	0.625	0.875	0.125	-
WR062093-018MC-U-R	0.625	0.937	0.187	-
WR062112-031MC-U-P	0.625	1.125	0.312	-
WR075100-012MC-U-R	0.750	1.000	0.125	-
WR075112-018-028MC-R	0.750	1.125	0.187	0.281
WR075112-018-028MC-P	0.750	1.125	0.187	0.281
WR075125-025MC-U-R	0.750	1.250	0.250	-
WR075125-025MC-U-P	0.750	1.250	0.250	-
WR075125-031MC-U-P	0.750	1.250	0.312	-
WR087112-012MC-U-R	0.875	1.125	0.125	-
WR087125-018MC-U-R	0.875	1.250	0.187	-
WR087137-031MC-U-P	0.875	1.375	0.312	-
WR100125-012MC-U-R	1.000	1.250	0.125	-
WR100131-012MC-U-R	1.000	1.312	0.125	-
WR100137-018MC-U-R	1.000	1.375	0.187	-
WR100137-018-028MC-R	1.000	1.375	0.187	0.281
WR100137-018-028MC-P	1.000	1.375	0.187	0.281
WR100143-025MC-U-R	1.000	1.437	0.250	-
WR100150-018MC-U-R	1.000	1.500	0.187	-
WR100150-031MC-U-P	1.000	1.500	0.312	-
WR106150-018MC-U-R	1.062	1.500	0.187	-
WR112137-018MC-U-R	1.125	1.375	0.187	-
WR112150-018MC-U-R	1.125	1.500	0.187	-
WR112150-018-028MC-R	1.125	1.500	0.187	0.281
WR112150-018-028MC-P	1.125	1.500	0.187	0.281
WR112156-025MC-U-R	1.125	1.562	0.250	-
WR112162-031MC-U-P	1.125	1.625	0.312	-
WR125150-012MC-U-R	1.250	1.500	0.125	-
WR125162-018MC-U-R	1.250	1.625	0.187	-
WR125162-018-028MC-R	1.250	1.625	0.187	0.281
WR125162-018-028MC-P	1.250	1.625	0.187	0.281
WR125168-018MC-U-R	1.250	1.687	0.187	-
WR125175-025MC-U-R	1.250	1.750	0.250	-
WR125175-025MC-U-P	1.250	1.750	0.250	-
WR125175-031MC-U-P	1.250	1.750	0.312	-
WR125187-025MC-U-R	1.250	1.875	0.250	-
WR137162-012MC-U-R	1.375	1.625	0.125	-
WR137187-018MC-U-R	1.375	1.875	0.187	-

* Nominal Dimensions

Fluid **Power**

The Hydraulic Seal Specialists



WR-MC

Imperial **W**iper **R**ing **M**etal **C**ased

Part Number	*Ød1	*ØD1	*L1	H
WR137187-025MC-U-R	1.375	1.875	0.250	-
WR137187-031MC-U-P	1.375	1.875	0.312	-
WR150187-018MC-U-R	1.500	1.875	0.187	-
WR150187-018-028MC-R	1.500	1.875	0.187	0.281
WR150187-025MC-U-R	1.500	1.875	0.250	-
WR150187-025MC-U-P	1.500	1.875	0.250	-
WR150200-025MC-U-R	1.500	2.000	0.250	-
WR150200-025MC-U-P	1.500	2.000	0.250	-
WR150200-031MC-U-P	1.500	2.000	0.312	-
WR150212-031MC-U-P	1.500	2.125	0.312	-
WR150225-037MC-U-P	1.500	2.250	0.375	-
WR150225-043MC-UL-P	1.500	2.250	0.437	-
WR162200-018MC-U-R	1.625	2.000	0.187	-
WR162212-025MC-U-R	1.625	2.125	0.250	-
WR162212-031MC-U-P	1.625	2.125	0.312	-
WR175212-018MC-U-R	1.750	2.125	0.187	-
WR175212-018-028MC-R	1.750	2.125	0.187	0.281
WR175225-025MC-U-R	1.750	2.250	0.250	-
WR175225-025MC-U-P	1.750	2.250	0.250	-
WR175225-031MC-U-P	1.750	2.250	0.312	-
WR175237-025MC-U-R	1.750	2.375	0.250	-
WR175243-037MC-U-P	1.750	2.437	0.375	-
WR175243-043MC-UL-P	1.750	2.437	0.437	-
WR175250-037MC-U-P	1.750	2.500	0.375	-
WR175262-025MC-U-R	1.750	2.625	0.250	-
WR187225-018MC-U-R	1.875	2.250	0.187	-
WR187237-031MC-U-P	1.875	2.375	0.312	-
WR187250-025MC-U-R	1.875	2.500	0.250	-
WR187256-037MC-U-P	1.875	2.562	0.375	-
WR200237-018MC-U-R	2.000	2.375	0.187	-
WR200237-018-028MC-R	2.000	2.375	0.187	0.281
WR200237-018-028MC-P	2.000	2.375	0.187	0.281
WR200237-025MC-U-P	2.000	2.375	0.250	-
WR200250-025MC-U-R	2.000	2.500	0.250	-
WR200250-025MC-U-P	2.000	2.500	0.250	-
WR200250-031MC-U-P	2.000	2.500	0.312	-
WR200262-025MC-U-R	2.000	2.625	0.250	-
WR200262-025MC-U-P	2.000	2.625	0.250	-
WR200268-037MC-U-P	2.000	2.687	0.375	-
WR200268-043MC-UL-P	2.000	2.687	0.437	-

599 * Nominal Dimensions

Fluid Power

The Hydraulic Seal Specialists

WR-MC

Imperial **W**iper **R**ing **M**etal **C**ased



Part Number	*Ød1	*ØD1	*L1	H
WR200275-025MC-U-R	2.000	2.750	0.250	-
WR200275-037MC-U-P	2.000	2.750	0.375	-
WR200287-047MC-U-R	2.000	2.875	0.468	-
WR212250-018MC-U-R	2.125	2.500	0.187	-
WR212287-037MC-U-P	2.125	2.875	0.375	-
WR225262-018-028MC-R	2.250	2.625	0.187	0.281
WR225262-018-028MC-P	2.250	2.625	0.187	0.281
WR225262-025MC-U-R	2.250	2.625	0.250	-
WR225275-025MC-U-R	2.250	2.750	0.250	-
WR225275-025MC-U-P	2.250	2.750	0.250	-
WR225275-031MC-U-P	2.250	2.750	0.312	-
WR225287-025MC-U-R	2.250	2.875	0.250	-
WR225300-037MC-U-P	2.250	3.000	0.375	-
WR225300-043MC-UL-P	2.250	3.000	0.437	-
WR237287-031MC-U-P	2.375	2.875	0.312	-
WR237312-037MC-U-P	2.375	3.125	0.375	-
WR250287-018-028MC-R	2.500	2.875	0.187	0.281
WR250287-018-028MC-P	2.500	2.875	0.187	0.281
WR250300-018MC-U-P	2.500	3.000	0.187	-
WR250300-025MC-U-R	2.500	3.000	0.250	-
WR250300-031MC-U-P	2.500	3.000	0.312	-
WR250312-025MC-U-R	2.500	3.125	0.250	-
WR250318-037MC-U-P	2.500	3.187	0.375	-
WR250325-025MC-U-P	2.500	3.250	0.250	-
WR250325-037MC-U-P	2.500	3.250	0.375	-
WR250325-037MC-UL-P	2.500	3.250	0.375	-
WR250325-043MC-UL-P	2.500	3.250	0.437	-
WR262312-025MC-U-P	2.625	3.125	0.250	-
WR275312-018MC-U-R	2.750	3.125	0.187	-
WR275312-018-028MC-R	2.750	3.125	0.187	0.281
WR275312-018-028MC-P	2.750	3.125	0.187	0.281
WR275325-025MC-U-R	2.750	3.250	0.250	-
WR275325-031MC-U-P	2.750	3.250	0.312	-
WR275350-037MC-U-P	2.750	3.500	0.375	-
WR275350-050MC-U-P	2.750	3.500	0.500	-
WR275375-037MC-U-R	2.750	3.750	0.375	-
WR275375-050MC-U-P	2.750	3.750	0.500	-
WR275375-050MC-UL-P	2.750	3.750	0.500	-
WR300337-018-028MC-R	3.000	3.375	0.187	0.281
WR300350-025MC-U-R	3.000	3.500	0.250	-

* Nominal Dimensions

Fluid **Power**

The Hydraulic Seal Specialists



WR-MC

Imperial **W**iper **R**ing **M**etal **C**ased

Part Number	*Ød1	*ØD1	*L1	H
WR300350-031MC-U-P	3.000	3.500	0.312	-
WR300375-025MC-U-R	3.000	3.750	0.250	-
WR300375-025MC-U-P	3.000	3.750	0.250	-
WR300375-037MC-U-P	3.000	3.750	0.375	-
WR300400-050MC-U-P	3.000	4.000	0.500	-
WR300400-056MC-UL-P	3.000	4.000	0.560	-
WR312375-037MC-U-P	3.125	3.750	0.375	-
WR325362-028-039MC-R	3.250	3.625	0.281	0.393
WR325375-031MC-U-P	3.250	3.750	0.312	-
WR325387-031MC-U-P	3.250	3.875	0.312	-
WR325425-050MC-U-P	3.250	4.250	0.500	-
WR325425-056MC-UL-P	3.250	4.250	0.562	-
WR337400-031MC-U-P	3.375	4.000	0.312	-
WR350400-025MC-U-R	3.500	4.000	0.250	-
WR350400-031MC-U-P	3.500	4.000	0.312	-
WR350412-031MC-U-P	3.500	4.125	0.312	-
WR350425-025MC-U-P	3.500	4.250	0.250	-
WR350425-031MC-U-P	3.500	4.250	0.312	-
WR350450-050MC-U-P	3.500	4.500	0.500	-
WR350450-056MC-UL-P	3.500	4.500	0.562	-
WR375425-031MC-U-P	3.750	4.250	0.312	-
WR375437-031MC-U-P	3.750	4.375	0.312	-
WR375450-031MC-U-P	3.750	4.500	0.312	-
WR375475-050MC-U-P	3.750	4.750	0.500	-
WR375475-056MC-UL-P	3.750	4.750	0.562	-
WR400462-031MC-U-P	4.000	4.625	0.312	-
WR400475-031MC-U-P	4.000	4.750	0.312	-
WR400500-050MC-U-P	4.000	5.000	0.500	-
WR400500-056MC-UL-P	4.000	5.000	0.562	-
WR425475-031MC-U-P	4.250	4.750	0.312	-
WR425525-050MC-U-P	4.250	5.250	0.500	-
WR437500-031MC-U-P	4.375	5.000	0.312	-
WR443493-025-037MC-P	4.437	4.937	0.250	0.375
WR450512-031MC-U-P	4.500	5.125	0.312	-
WR450525-031MC-U-P	4.500	5.250	0.312	-
WR450550-050MC-U-P	4.500	5.500	0.500	-
WR475537-031MC-U-P	4.750	5.375	0.312	-
WR475575-050MC-U-P	4.750	5.750	0.500	-
WR500562-031MC-U-P	5.000	5.625	0.312	-
WR500575-031MC-U-P	5.000	5.750	0.312	-

601 * Nominal Dimensions

Fluid Power

The Hydraulic Seal Specialists

WR-MC

Imperial **W**iper **R**ing **M**etal **C**ased



Part Number	*Ød1	*ØD1	*L1	H
WR500600-050MC-U-P	5.000	6.000	0.500	-
WR525575-031MC-U-P	5.250	5.750	0.312	-
WR525587-031MC-U-P	5.250	5.875	0.312	-
WR525600-031MC-U-P	5.250	6.000	0.312	-
WR525625-056MC-UL-P	5.250	6.250	0.562	-
WR550612-037MC-U-P	5.500	6.125	0.375	-
WR550625-031MC-U-P	5.500	6.250	0.312	-
WR550650-050MC-UL-P	5.500	6.500	0.500	-
WR575675-050MC-U-P	5.750	6.750	0.500	-
WR600662-037MC-U-P	6.000	6.625	0.375	-
WR600675-037MC-U-P	6.000	6.750	0.375	-
WR600700-050MC-U-P	6.000	7.000	0.500	-
WR625675-031MC-U-P	6.250	6.750	0.312	-
WR650725-031MC-U-P	6.500	7.250	0.312	-
WR650750-062MC-U-P	6.500	7.500	0.625	-
WR675725-031MC-U-P	6.750	7.250	0.312	-
WR675737-037MC-U-P	6.750	7.375	0.375	-
WR675775-050MC-U-P	6.750	7.750	0.500	-
WR700775-031MC-U-P	7.000	7.750	0.312	-
WR700800-050MC-U-P	7.000	8.000	0.500	-
WR700800-050MC-UL-P	7.000	8.000	0.500	-
WR700800-056MC-UL-P	7.000	8.000	0.562	-
WR800875-037MC-U-P	8.000	8.750	0.375	-
WR812862-031MC-U-P	8.125	8.625	0.312	-
WR900975-056MC-U-P	9.000	9.750	0.562	-
WR11001200-056MC-UL-P	11.000	12.000	0.562	-

* Nominal Dimensions

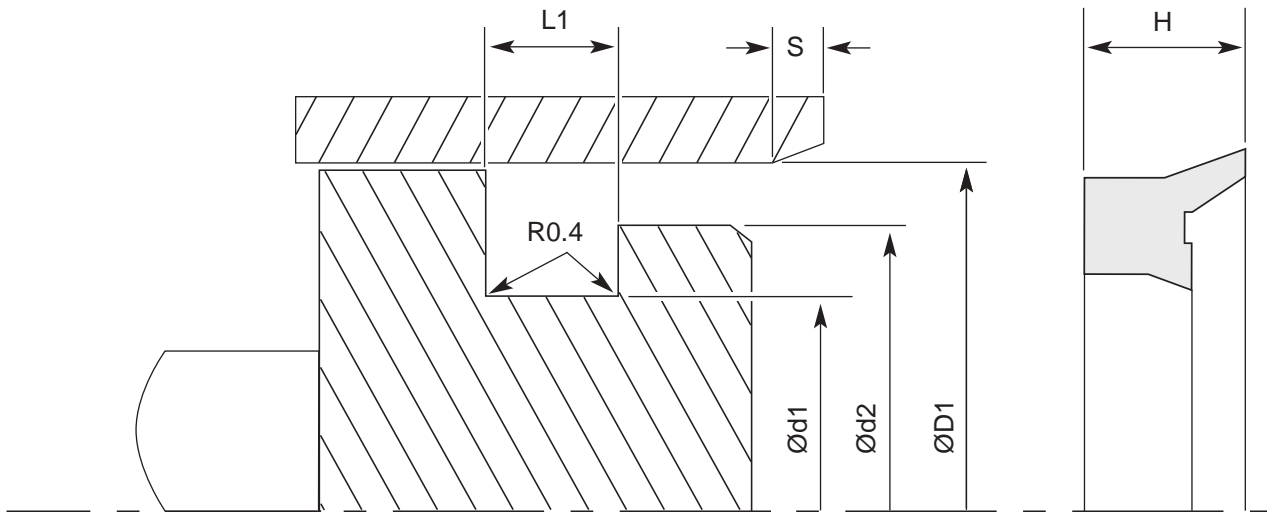
Fluid Power

The Hydraulic Seal Specialists



WR-OW

Metric **W**iper **R**ing Style **O**utside **W**orking



Lead-in Chamfers

ØD1	<100	> 100
S min	5mm	7mm

Tolerances

ØD1	Ød1	Ød2	L1
H10	Refer to seal section	+0.10 -0.00	+0.25 -0.00

Operating Conditions

Temp Range	-35 to +100°C
Max Speed	0.8 m/s

WR-OW is an external wiper. Manufactured in Polyurethane the WR-OW is designed to prevent the introduction of contaminants into a single acting cylinder which has an opening to the atmosphere.

Fluid Power

The Hydraulic Seal Specialists

WR-WO

Metric **W**iper **R**ing Style **O**utside **W**orking



Part Number	*ØD1	*Ød1	*L1	*Ød2	H
WR40-32-5-7M-OW-P	40.00	31.40	5.30	37.00	7.00
WR50-42-5-7M-OW-P	50.00	41.40	5.30	47.00	7.00
WR60-52-5-7M-OW-P	60.00	51.40	5.30	57.00	7.00
WR63-55-5-7M-OW-P	63.00	54.40	5.30	60.00	7.00
WR70-62-5-7M-OW-P	70.00	61.40	5.30	67.00	7.00
WR80-72-5-7M-OW-P	80.00	71.40	5.30	77.00	7.00
WR90-82-5-7M-OW-P	90.00	81.40	5.30	87.00	7.00
WR95-87-5-7M-OW-P	95.00	86.40	5.30	92.00	7.00
WR100-92-5-7M-OW-P	100.00	91.40	5.30	97.00	7.00
WR110-102-5-7M-OW-P	110.00	101.40	5.30	107.00	7.00
WR115-107-5-7M-OW-P	115.00	107.00	5.00	111.00	7.00
WR120-112-5-7M-OW-P	120.00	111.40	5.30	117.00	7.00
WR125-117-5-7M-OW-P	125.00	116.40	5.30	122.00	7.00
WR130-122-5-7M-OW-P	130.00	121.40	5.30	127.00	7.00
WR140-132-5-7M-OW-P	140.00	131.40	5.30	137.00	7.00

* Nominal Dimensions

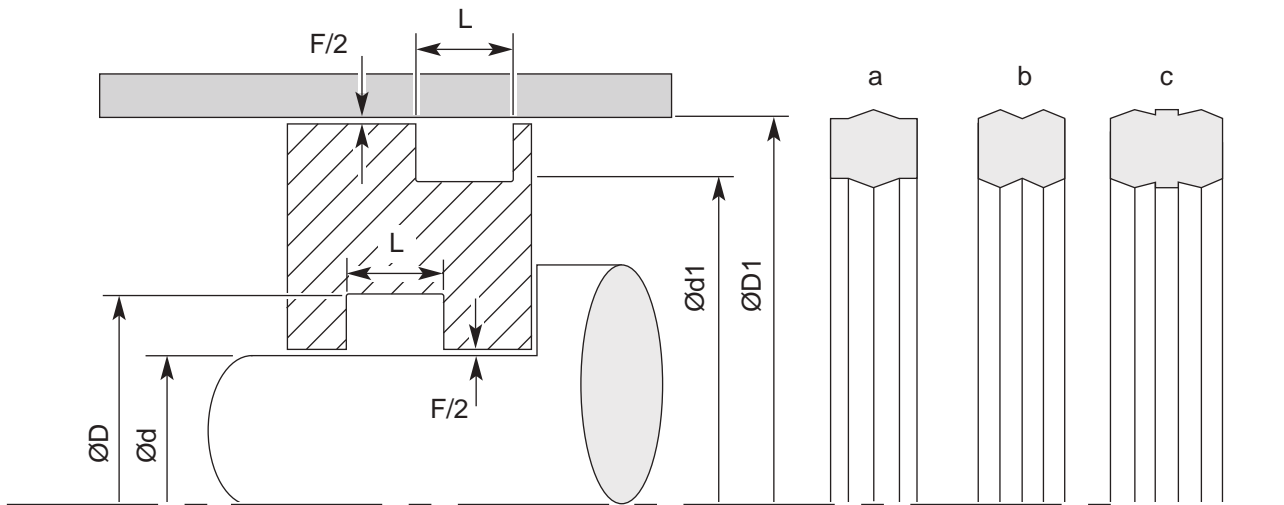
Fluid Power

The Hydraulic Seal Specialists



OP

O-Ring Replacement



Tolerances

ØD	Ød	ØD1	Ød1	L1
H9	f7	H8	h9	+0.2

Operating Conditions

Temp Range	-30 to +80°C
------------	--------------

Dimension F

1.20mm	50bar
0.80mm	100bar
0.40mm	200bar
0.25mm	300bar
0.17mm	400bar
0.10mm	500bar

OP seal has been developed as a replacement for O-rings and O-rings with Back-up rings. Manufactured in polyurethane, the OP seal has many advantages over a standard O-ring.

Check with the FPE sales team if the style, size you require is not listed.

Fluid Power

The Hydraulic Seal Specialists

OP

O-Ring Replacement



Part Number	*Ød	*ØD	*Ød1	*ØD1	*L	Type
BS009-OP	5.00	8.10	5.90	9.00	2.50	a
BS012-OP	9.00	12.10	9.90	13.00	2.50	a
BS013-OP	11.00	14.10	10.90	14.00	2.50	a
BS014-OP	13.00	16.10	12.90	16.00	2.50	a
BS014-OP/A	-	-	13.07	15.93	3.50	b
BS015-OP	14.00	17.10	14.90	18.00	2.50	a
BS015-OP/A	-	-	14.67	17.53	3.50	b
BS016-OP	16.00	19.10	15.90	19.00	2.50	a
BS016-OP/A	-	-	16.25	19.12	3.50	b
BS020-OP/A	-	-	23.10	26.00	3.50	b
BS031-OP	44.00	47.10	44.90	48.00	2.50	a
BS034-OP	54.00	57.10	54.90	58.00	2.50	a
BS109-OP	8.00	12.50	8.50	13.00	3.50	a
BS113-OP	14.00	18.50	14.50	19.00	3.50	b
BS115-OP	17.00	21.50	17.50	22.00	3.50	b
BS116-OP/A	19.00	23.60	-	-	5.50	b
BS117-OP	20.00	24.50	20.50	25.00	3.50	b
BS119-OP	24.00	28.50	24.50	29.00	3.50	b
BS121-OP	28.00	31.50	27.50	32.00	3.50	b
BS123-OP	30.00	34.50	30.50	35.00	3.50	b
BS126-OP	35.00	39.50	35.50	40.00	3.50	b
BS132-OP	44.00	48.50	44.50	49.00	3.50	b
BS133-OP	46.00	50.50	46.50	51.00	3.50	b
BS140-OP/A	57.00	61.50	57.50	62.00	5.00	b
BS142-OP/A	60.00	64.50	60.50	65.00	5.00	b
BS147-OP	68.00	72.50	68.50	73.00	3.50	b
BS153-OP	89.00	93.50	89.50	94.00	3.50	b
BS156-OP	108.00	112.50	108.50	113.00	3.50	b
BS209-OP	17.00	23.20	17.80	24.00	4.50	b
BS210-OP	19.00	25.20	19.80	26.00	4.50	b
BS216-OP	28.00	34.20	28.80	35.00	4.50	b
BS216-OP/A	28.00	34.30	-	-	6.50	b
BS217-OP	30.00	36.20	30.80	37.00	4.50	b
BS217-OP/A	30.00	36.30	-	-	6.50	b
BS218-OP	31.00	37.20	31.80	38.00	4.50	b
BS219-OP	33.00	39.20	33.80	40.00	4.50	b
BS220-OP	35.00	41.20	35.80	42.00	4.50	b
BS225-OP	48.00	54.20	47.80	54.00	4.50	b
BS227-OP	54.00	60.20	54.80	61.00	4.50	b
BS230-OP	64.00	70.20	63.80	70.00	4.50	b

* Nominal Dimensions

Fluid Power

The Hydraulic Seal Specialists



OP

O-Ring Replacement

Part Number	*Ød	*ØD	*Ød1	*ØD1	*L	Type
BS233-OP	73.00	79.20	73.80	80.00	4.50	b
BS233-OP/A	73.00	79.20	73.80	80.00	6.50	c
BS234-OP	76.00	82.20	76.80	83.00	4.50	b
BS236-OP	82.00	88.20	82.80	89.00	4.50	b
BS238-OP	89.00	95.20	88.80	95.00	4.50	b
BS239-OP	92.00	98.20	92.80	99.00	4.50	b
BS240-OP/A	95.00	101.20	95.80	102.00	6.50	b
BS242-OP/A	-	-	101.50	107.80	6.10	c
BS244-OP	-	-	108.66	114.30	5.28	b
BS247-OP	117.00	123.20	117.80	124.00	4.50	b
BS326-OP/A	41.00	50.40	42.60	52.00	9.50	c
BS335-OP/A	69.00	78.40	70.60	80.00	9.50	c
BS337-OP/A	76.00	85.40	76.60	86.00	9.50	c
BS338-OP	-	-	80.26	88.90	7.90	b
BS340-OP/A	85.00	94.40	85.60	95.00	9.50	c
BS342-OP/A	92.00	101.40	92.60	102.00	9.50	c
BS346-OP/A	104.00	113.40	105.60	115.00	9.50	c
BS349-OP/A	114.00	123.40	115.60	125.00	9.50	c
BS350-OP/A	117.00	126.40	118.60	128.00	9.50	c
BS430-OP	130.00	142.20	130.80	143.00	9.50	c
BS614-OP	12.00	16.80	-	-	3.50	b
BS616-OP	15.00	19.50	15.50	20.00	3.50	b
BS617-OP	18.00	22.80	-	-	3.50	b
BS620-OP	80.00	89.40	80.60	90.00	7.00	c
BS621-OP	90.00	99.40	90.60	100.00	7.00	c
BS621-OP/A	90.00	99.40	90.60	100.00	9.50	c
BS623-OP/A	110.00	119.40	110.60	120.00	9.50	c
BS806-OP	11.00	14.40	11.90	15.00	2.50	a
BS806-OP/A	-	-	12.10	15.00	3.50	b
BS826-OP	43.00	49.20	43.80	50.00	4.50	b
BS832-OP	52.00	58.20	53.80	60.00	4.50	b
BS834-OP	56.00	62.20	55.80	62.00	4.50	b
BS835-OP	57.00	63.20	57.80	64.00	4.50	b
BS836-OP	59.00	65.20	58.80	65.00	4.50	b
BS836-OP/A	59.00	65.20	58.80	65.00	6.50	c
BS839-OP	64.00	70.20	63.80	70.00	4.50	b
BS845-OP	73.00	79.20	73.80	80.00	4.50	b

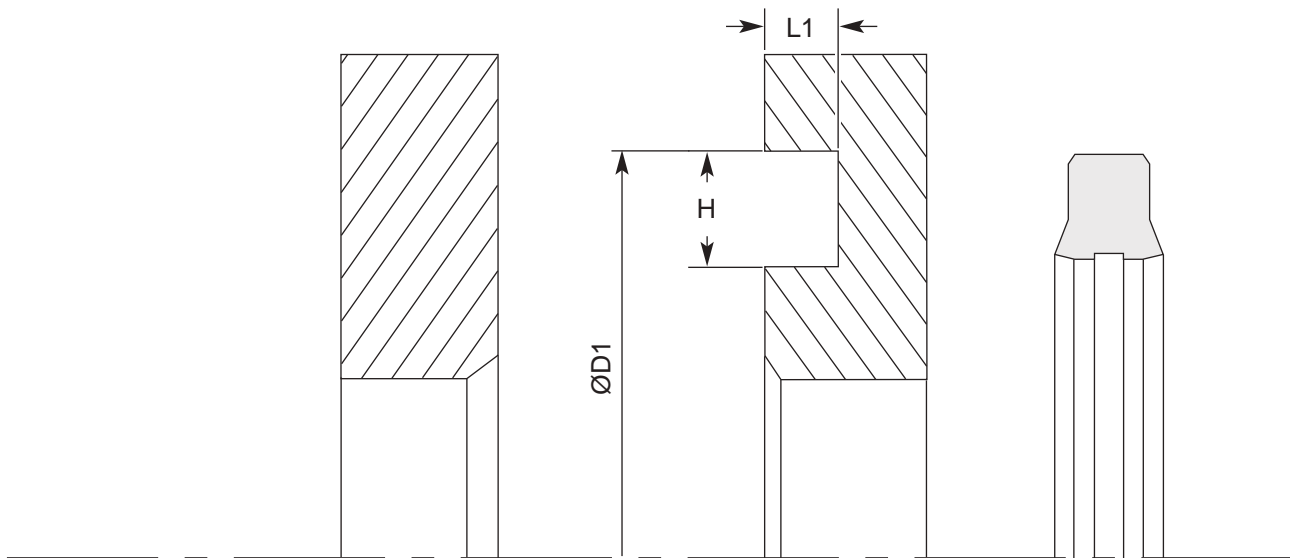
607 * Nominal Dimensions

Fluid Power

The Hydraulic Seal Specialists

FLANGE SEAL

Seals for SAE Flanges



Operating Conditions

Max Pressure

500 bar

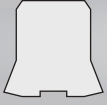
Temp Range

-30°C to 100°C

FLANGE SEAL is designed to fit SAE flange, and is used to substitute traditional o-rings when they are not suitable due to difficult conditions such as high pressure or rough surface finish.

Fluid Power

The Hydraulic Seal Specialists



FLANGE SEAL

Seals for SAE Flanges

Part Number	*ØD1	*H	*L1
FLANGE SEAL 0.50	1.000	0.165	0.112
FLANGE SEAL 0.75	1.250	0.165	0.112
FLANGE SEAL 1.00	1.560	0.165	0.112
FLANGE SEAL 1.25	1.750	0.165	0.112
FLANGE SEAL 1.50	2.125	0.165	0.112
FLANGE SEAL 2.00	2.500	0.165	0.112

609 * Nominal Dimensions

Fluid Power

The Hydraulic Seal Specialists

Terms of Business

1. All quotations are given and all orders are accepted by FPE Limited (co. number 3725829) ("FPE") subject to these Terms and all orders hereafter placed by the Customer shall be subject to these Terms and which together with the terms agreed by FPE by telephone with or confirmed by FPE by fax to the Customer constitute the entire agreement between the parties relating to its subject matter and (except to the extent repeated in these Terms) supersede and extinguish any prior agreement, understanding or representation (excluding a fraudulent representation), any terms, descriptions or illustrations contained in FPE's brochure, catalogues, price lists or elsewhere and any terms stipulated or referred to by the Customer and any course of dealing established between the parties.
2. A quotation shall be deemed 28 days after its date unless the parties enter into a contract for the sale and purchase of the relevant products. FPE may correct any clerical errors made in quotations or estimates given.
3. The price is ex works and (except where the Customer collects the products) a despatch charge will be made. All sums payable by the Customer are exclusive of VAT and FPE also reserves the right to charge for any special tooling used to produce any of the products.
4. FPE's invoices are payable in full by the end of the month after the month of invoice and if the Customer fails to make payment in full of what is due from it to FPE under any other contract entered into with FPE within seven days of the due date for payment FPE shall not be bound to give up possession of the products and/or (without incurring any liability therefore) may suspend performance of any other of its then outstanding contractual obligations to the Customer until it receives payment in full.
5. The date for despatch or collection of the products is an estimate only and time shall not be of the essence. If FPE is late in despatch or having ready for collection any of the products the Customer may by notice therefore cancel the order in respect of those products but FPE shall in no circumstances be liable to compensate the Customer in damages or otherwise for non- or late despatch or readiness for collection of any of the products for whatever reason. FPE also reserves the right to deliver plus or minus 10 per cent of the order quantity.
6. Where the Customer is responsible for collecting the products it shall do so from the works of FPE within seven days of receipt of notice from FPE that they are ready for collection.
7. Risk of loss of or damage to the products shall pass to the Customer on (as the case may be) despatch or FPE notifying the Customer that the products are ready for collection.
8. Until payment in full has been received by FPE for the products and for all other products previously supplied by FPE to the Customer, FPE shall remain the sole and absolute legal and beneficial owner of the products and the Customer shall hold them in law and in equity as agent and bailee for FPE. Without prejudice to any other right or remedy of FPE, if the Customer defaults in the punctual payment of any sum owing to FPE (whether hereunder or under any other contract entered into with FPE) then FPE shall be entitled to the immediate return of the products and all other products supplied by FPE, in each case where the property thereto has not passed to the Customer, and the Customer authorises FPE, its employees or agents to recover such products and to enter the works of the Customer for that purpose.
9. The Customer shall inspect the products immediately on taking possession of them and may within seven days from doing so give notice and provide evidence satisfactory to FPE of any matter or thing by reason whereof the Customer alleges that the products are not in accordance with the order. In the case of shortages of delivery, FPE may at its absolute discretion make a further delivery to make up for such shortages or give the Customer a credit note in respect thereof.
10. FPE warrants that the products will comply with any description given to them and shall remedy any breach of such warranty by replacing the relevant products as soon as reasonably possible after being given notice of such breach by the Customer under paragraph 9 above. FPE also shall (subject to receipt of the Customer's request therefore) use all reasonable endeavours to procure for the Customer the benefit of any written warranties (including any certificate of conformity) given to it in relation to the products.
11. **SUBJECT TO PARAGRAPH 10 AND TO THE FULLEST EXTENT PERMITTED BY LAW, ALL WARRANTIES, REPRESENTATIONS, TERMS AND UNDERTAKINGS, EXPRESS OR IMPLIED, STATUTORY OR OTHERWISE, WHETHER AS TO FITNESS FOR PURPOSE, BEING OF SATISFACTORY QUALITY, COMPLIANCE WITH SAMPLE, SUITABILITY OF PACKAGING OR OTHERWISE HOWSOEVER IN RESPECT OF THE PRODUCTS ARE HEREBY EXCLUDED.**
12. This paragraph 12 sets out FPE's entire liability (including liability for the acts and omissions of its employees, agents and sub-contractors) to the Customer in respect of any breach of its obligations under or in connection with the order or any representation (unless fraudulent) statement, act or omission (including without limitation negligence) of FPE arising under or in connection with the order (together an "Event of Default"). FPE's liability to the Customer for death or personal injury resulting from its own or that of its employees, agents or sub-contractors' negligence shall not be limited. Subject to this, FPE's entire liability in respect of any other Event of Default shall be limited to the price of the products which are the subject of the Event of Default and FPE shall not be liable for loss of profits, goodwill or any type of special, indirect or consequential loss.
13. Any sum payable by the Customer which is not paid on the due date shall bear interest (as well before as after any judgement therefore) at the rate of two per cent per annum above the base rate from time to time of Barclays Bank PLC for the period from and excluding such date up to and including the date of payment in full.
14. The Customer may not assign (either at law or in equity) any right or benefit under the order. There shall be no waiver of any term of the order by FPE unless such waiver is evidenced in writing and signed by it.
15. If at any time any one or more of the provisions hereof is or becomes invalid, illegal or unenforceable in any respect under any law the validity, legality and enforceability of the remaining provisions shall not be in any way affected or impaired thereby.
16. The order shall be governed by and construed in accordance with English Law to whose non-exclusive jurisdiction the parties hereby submit.
17. Notwithstanding any other provision hereof, nothing herein contained shall or shall be deemed either to affect the statutory rights of a consumer pursuant to a consumer transaction or to exclude or restrict any liability which FPE may have by virtue of the Consumer Protection Act 1987.

FPE Ltd., 2 Kellaw Road, Darlington, Co.Durham DL1 4YA Tel:+44 (0)1325 282732 E-mail:sales@fpe-ltd.co.uk



For further details telephone our Sales Department on: 01325 282732

Or visit our website at: www.fpe-ltd.co.uk

FPE Limited
2 Kellaw Road, Yarm Road Business Park
Darlington, Co. Durham DL1 4YA

Tel: +44 (0) 1325 282732 Fax: +44 (0) 1325 381815
Email: sales@fpe-ltd.co.uk Web: www.fpe-ltd.co.uk

FPE Limited
18/19 Hutton Business Park, Bently Moor Lane
Adwick-le-Street, Doncaster, South Yorkshire DN6 7BD

Tel: +44 (0) 1302 727252 Fax: +44 (0) 1302 330794
Email: sales@fpe-ltd.co.uk Web: www.fpe-ltd.co.uk

FLUID POWER

ISSUE 3

MASTER SEAL PRODUCT RANGE

